



TEX3500LCD

TECHNICAL ANNEX VOLUME2



R.V.R. Elettronica S.r.l.
Via del Fonditore 2 / 2c
40138 · Bologna · Italy
Phone: +39 051 6010506 · Fax: +39 051 6011104
e-mail: info@rvr.it · web: http://www.rvr.it

Member of CISQ Federation



CERTIFIED MANAGEMENT SYSTEM
ISO 9001



The RVR Logo, and others referenced RVR products and services are trademarks of RVR Elettronica in Italy, other countries or both. RVR © 1998 all rights reserved.
All other trademarks, trade names or logos used are property of their respective owners.

Manufactured by R.V.R. ELETTRONICA Italy



Appendix A Piani di montaggio, schemi elettrici, liste componenti / Component layouts, schematics, bills of material

Questa parte del manuale contiene i dettagli tecnici riguardanti la costruzione delle singole schede componenti il TEX3500LCD. L'appendice è composta dalle seguenti sezioni:

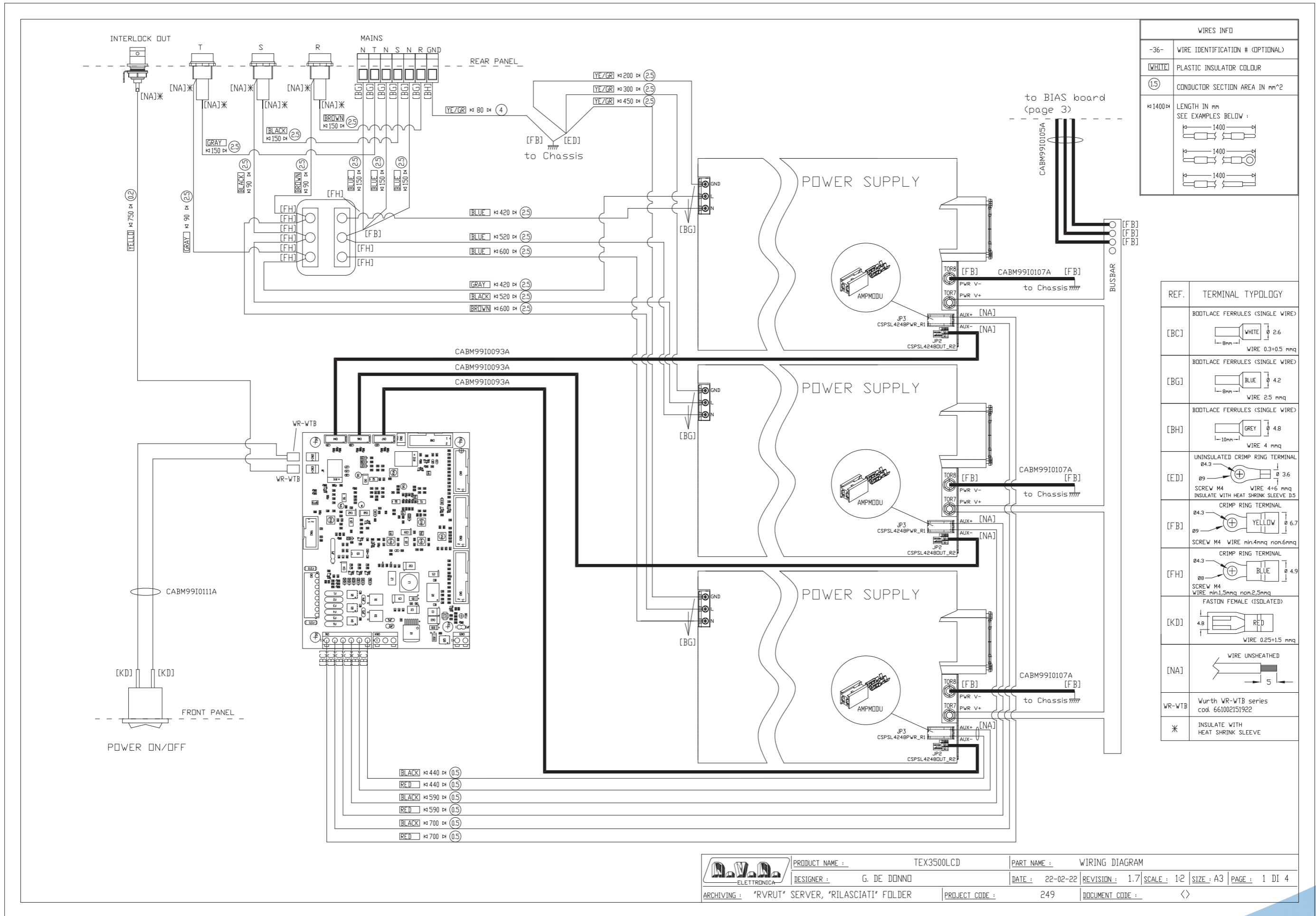
This part of the manual contains the technical details about the different Cards of the TEX3500LCD. This appendix is composed of the following sections:

Description	RVR Code	Vers.	Page
Wiring Diagram	/	1.7	1
Main Board	SLMA0383R02V01	1.1	5
Driver Interface Card	SLIN0501R01V01	1.0	10
Driver Card	SLDR0271R03V05	1.1	12
Splitter Card	SL176SP1001	1.0	15
R.F. Card	SL246RF1001	1.0	17
R.F. Card - Input Section	SLRF0454R03V01	1.2	18
R.F. Card - Output Section	SLRF0455R03V01	1.2	21
Combiner Card	SLCM0466R01V02	1.0	24
LPF Card	SL249LP1001	1.1	27
Power Supply Interface Card	SLIN0467R03V02	1.0	30
Power Supply	PSL4248	1.0	33
Panel Card	SLPC0436R02V03	1.0	35
BIAS Card	SLBI0439R03V01	1.0	38
Pass Through Card	SLFI0368R01V01	1.0	42
Directional Coupler Card	SLDC0375R01V01	1.2	44
Telemetry Card	SLTL0509R01V01	1.1	46
Stereo Coder Card	SLCTC30V03	1.2	49
15kHz Audio Filter Card	SLAU0469R01V02	1.0	52

Description	Spare Parts
Frontal Fan	VTL9GV0824P1G03
Rear Fan	VTL9GV1224P1J01
RF final section	SP-FIN249B
Main audio card + PLL + VCO	SP-MBD175A
CPU panel & Display	SP-PAN240C
Switching power supply	KPSL4248
Interface Card	SP-INT249B
Surge Protection section	SP-SRG249B
Bias Card	SP-BIA249B
Driver Card	SP-DRV237B
Combiner Card	SP-CMB249A
Splitter Card	SP-SPL249A
LPF filter	SP-LPF249A

Document History

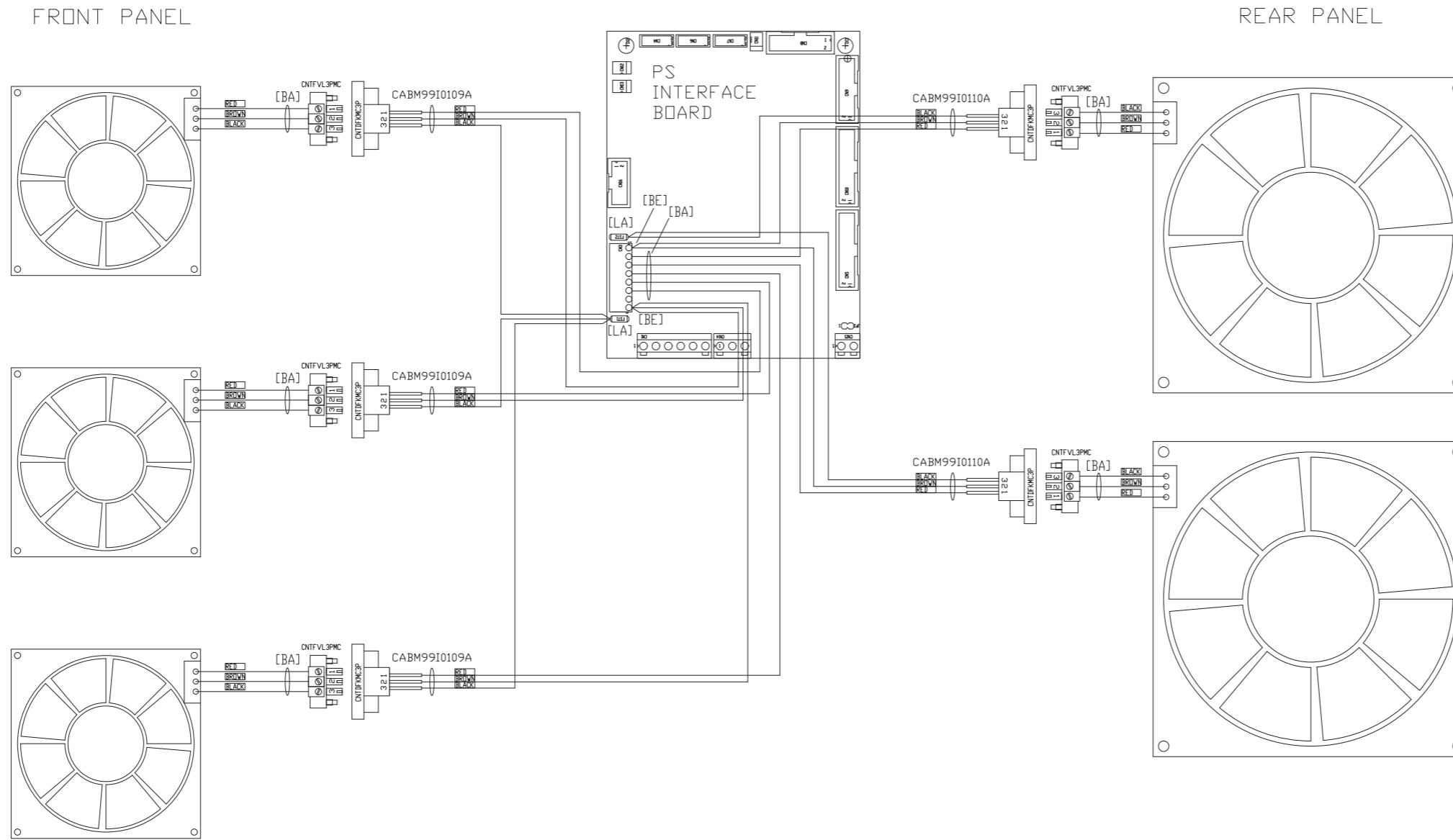
Date	Version	Reason	Code	Editor
27/01/2020	2.0	Second Release	/	J.H. Berti
17/12/2021	2.1	Major Release	/	J.H. Berti
15/07/2022	2.2	Wiring Diagrams, SLMA0383R02V01, SLRF0454R03V01, SLRF0455R03V01 Upgrade	/	J.H. Berti



WIRES INFO	
-36-	WIRE IDENTIFICATION # (OPTIONAL)
[WHITE]	PLASTIC INSULATOR COLOUR
(1.5)	CONDUCTOR SECTION AREA IN mm ²
1400	LENGTH IN mm SEE EXAMPLES BELOW :

REF.	TERMINAL TYPOLOGY
[BC]	BOOTLACE FERRULES (SINGLE WIRE) WIRE 0.3+0.5 mmq
[BG]	BOOTLACE FERRULES (SINGLE WIRE) WIRE 2.5 mmq
[BH]	BOOTLACE FERRULES (SINGLE WIRE) WIRE 4 mmq
[ED]	UNINSULATED CRIMP RING TERMINAL SCREW M4 WIRE 4+6 mmq INSULATE WITH HEAT SHRINK SLEEVE D5
[FB]	CRIMP RING TERMINAL SCREW M4 WIRE min.4mmq nom.6mmq
[FH]	CRIMP RING TERMINAL SCREW M4 WIRE min.1.5mmq nom.2.5mmq
[KD]	FASTON FEMALE (ISOLATED) WIRE 0.25+1.5 mmq
[NA]	WIRE UNSHEATHED WIRE UNSHEATHED
WR-WTB	Würth WR-WTB series cod. 661002151922
*	INSULATE WITH HEAT SHRINK SLEEVE

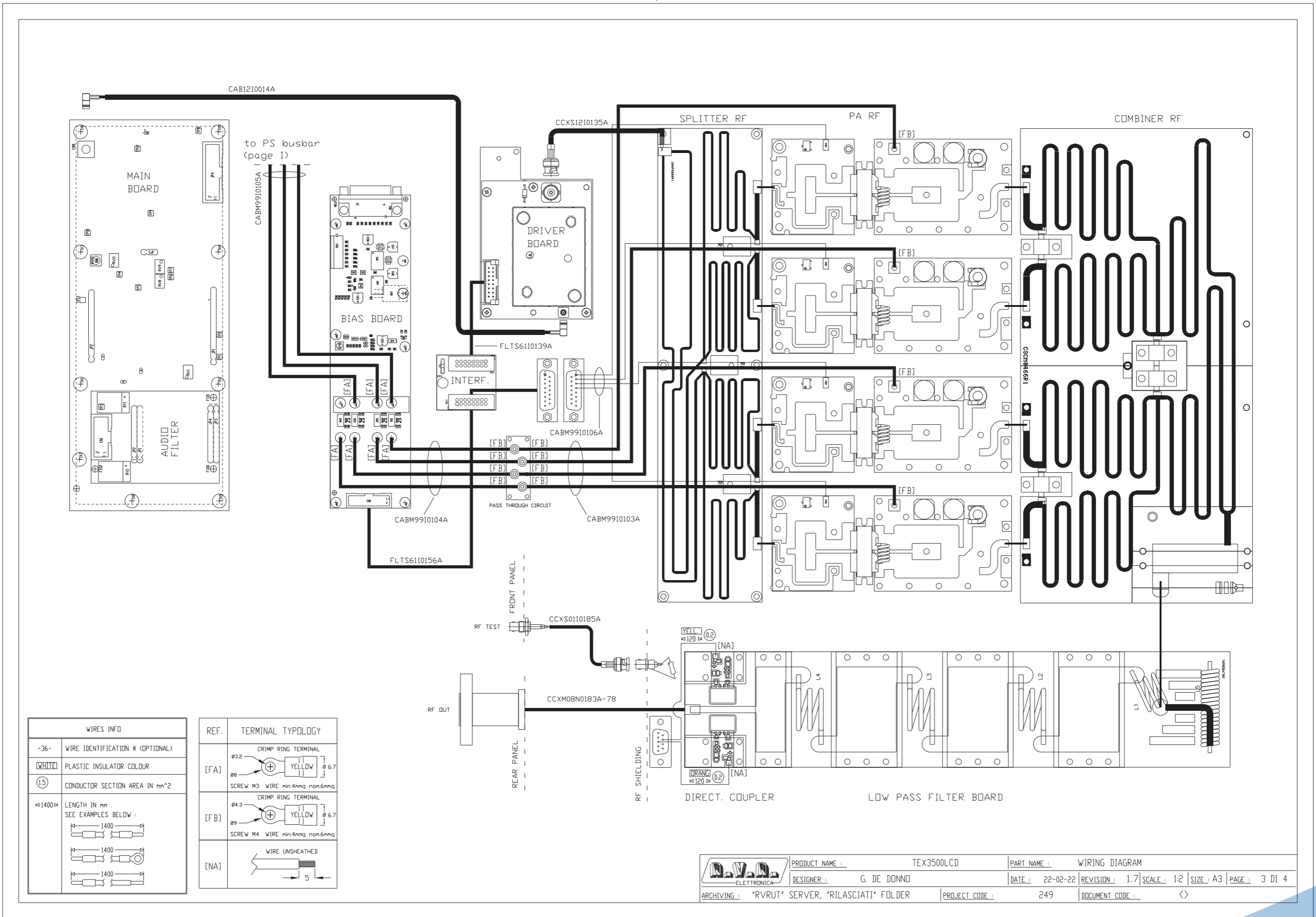
	PRODUCT NAME : TEX3500LCD	PART NAME : WIRING DIAGRAM				
	DESIGNER : G. DE DONNO	DATE : 22-02-22	REVISION : 1.7	SCALE : 1:2	SIZE : A3	PAGE : 1 DI 4
ARCHIVING : 'RVRUT' SERVER, 'RILASCIATI' FOLDER	PROJECT CODE : 249	DOCUMENT CODE : <				

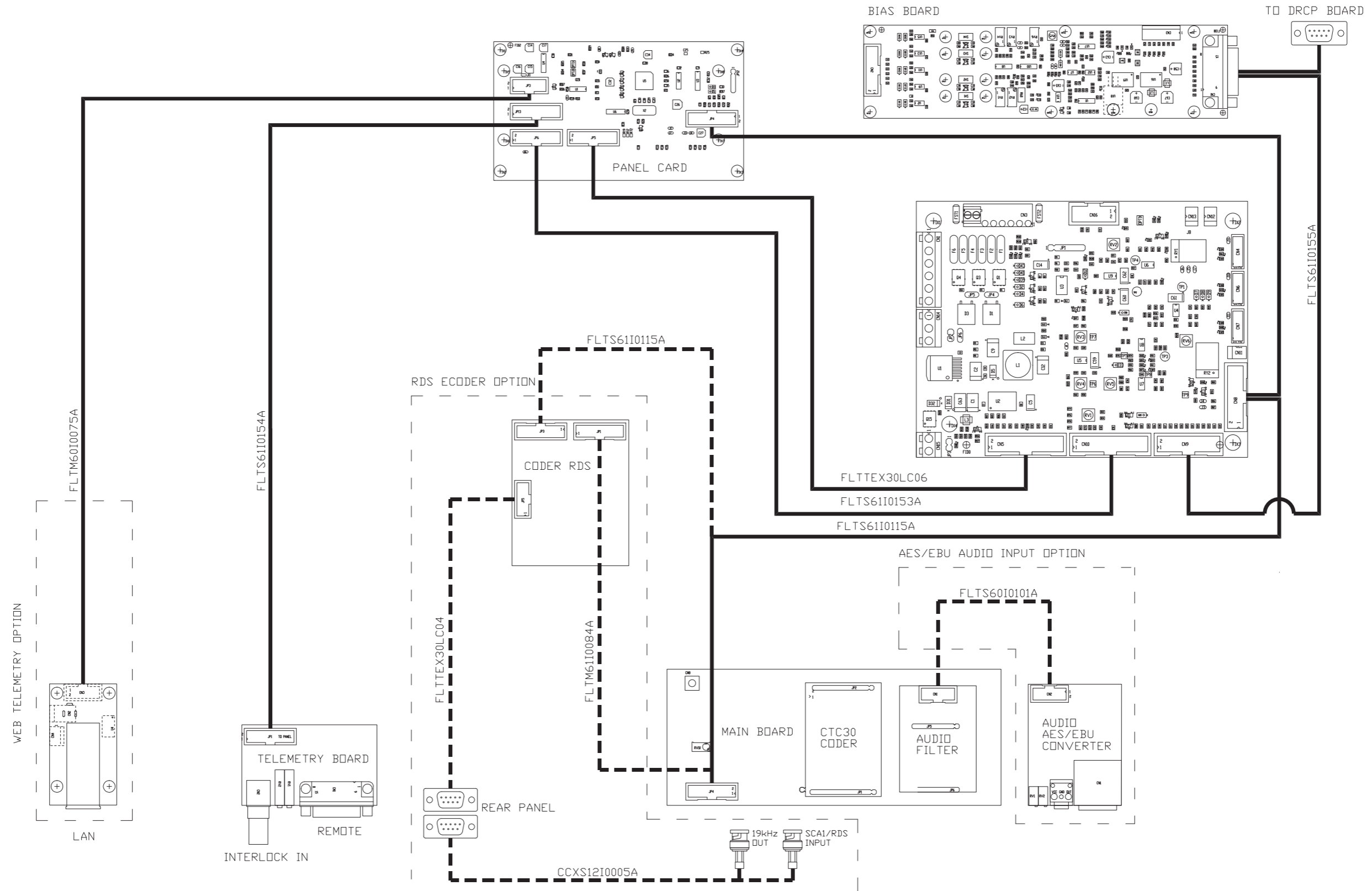


WIRES INFO	
-36-	WIRE IDENTIFICATION # (OPTIONAL)
[WHITE]	PLASTIC INSULATOR COLOUR
(1.5)	CONDUCTOR SECTION AREA IN mm ²
≅1400≅	LENGTH IN mm SEE EXAMPLES BELOW :

REF.	TERMINAL TYPOLOGY
[BA]	BOOTLACE FERRULES (SINGLE WIRE) WIRE 0.1+0.3 mm ²
[BE]	BOOTLACE FERRULES (SINGLE WIRE) WIRE 1 mm ²
[LA]	ANGLED FASTON FEMALE (90°) WIRE 0.5+1 mm ²

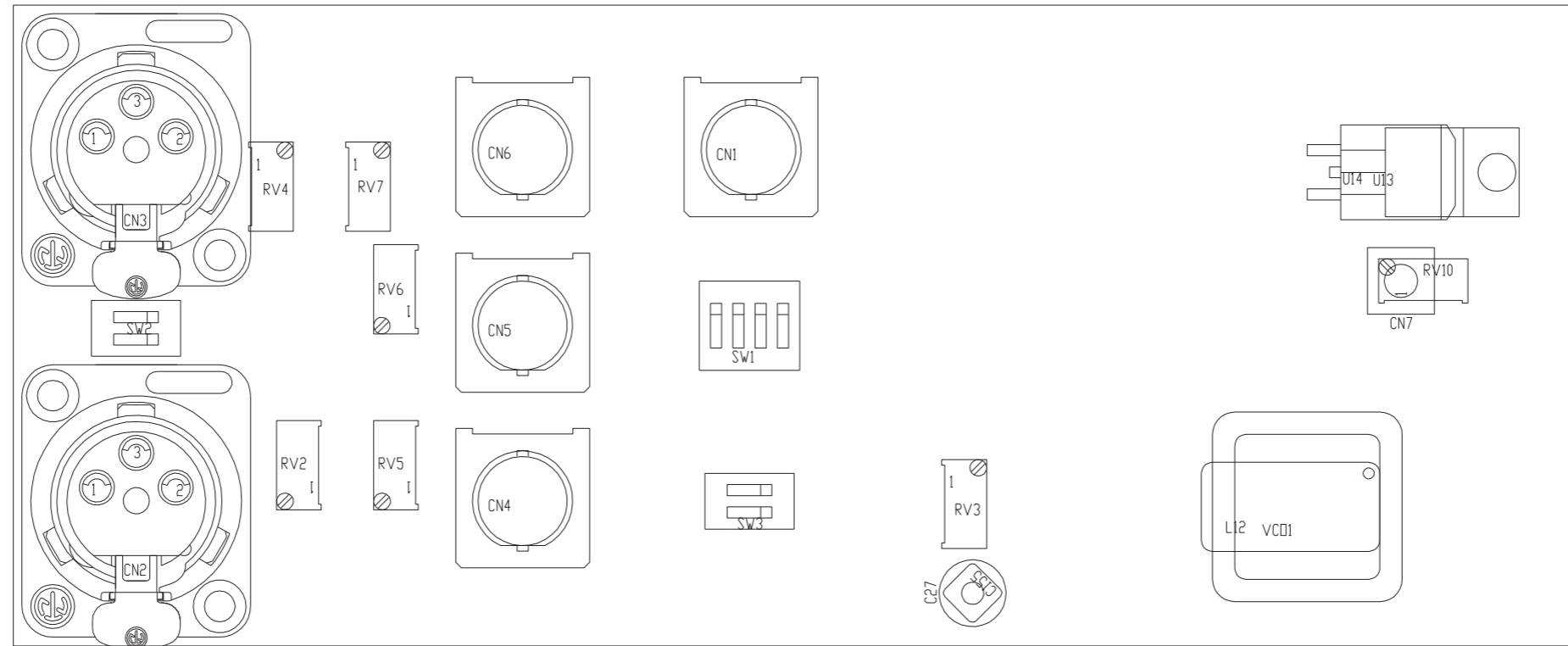
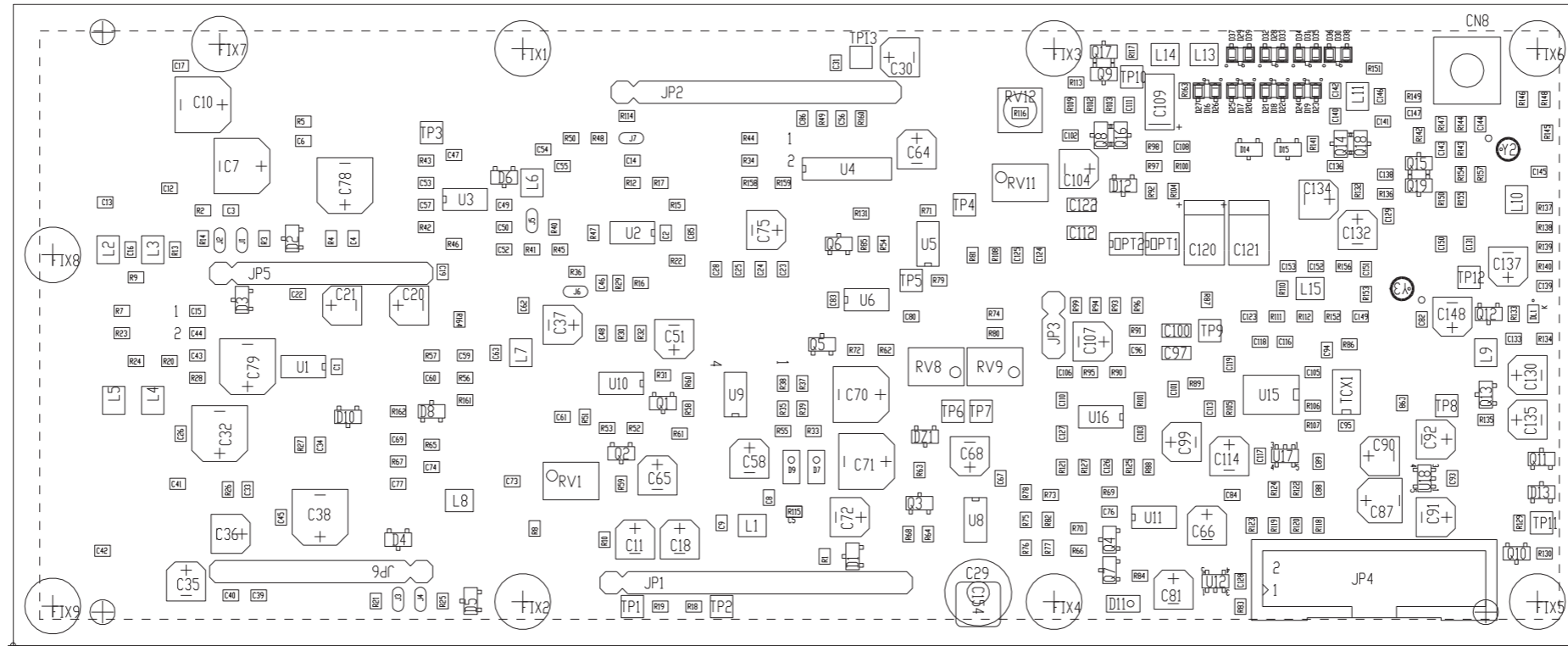
	PRODUCT NAME :	TEX3500LCD	PART NAME :	WIRING DIAGRAM	
	DESIGNER :	G. DE DONNO	DATE :	22-02-22	
ARCHIVING :	"RVRUT" SERVER, "RILASCIATI" FOLDER	PROJECT CODE :	249	DOCUMENT CODE :	<>
			REVISION :	1.7	
			SCALE :	1:2	
			SIZE :	A3	
			PAGE :	2 DI 4	





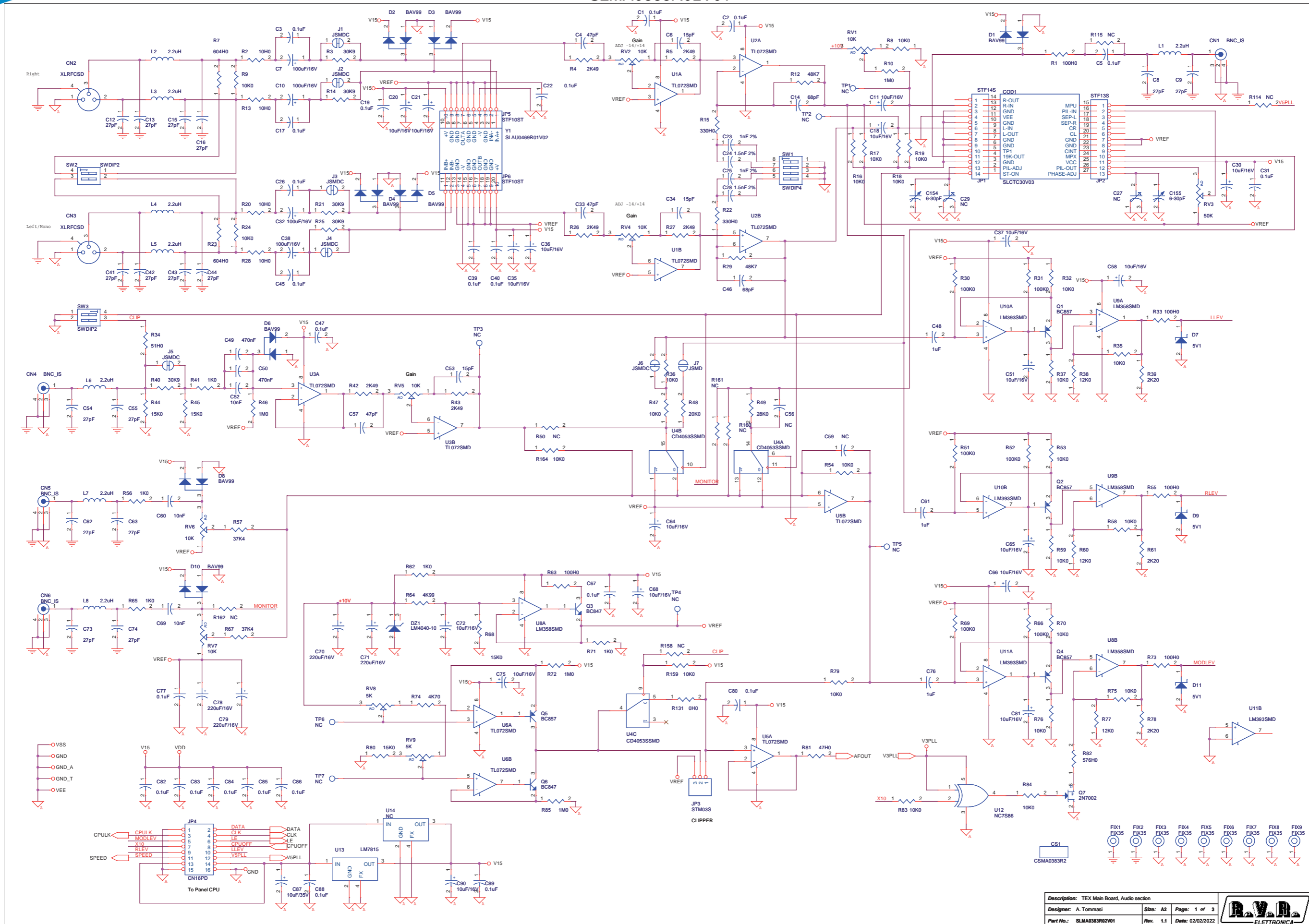
	PRODUCT NAME :	TEX3500LCD	PART NAME :	WIRING DIAGRAM	
	DESIGNER :	G. DE DONNO	DATE :	22-02-22	
ARCHIVING :	'RVRUT' SERVER, 'RILASCIATI' FOLDER	PROJECT CODE :	249	DOCUMENT CODE :	<>
			REVISION :	1.7	
			SCALE :	1:2	
			SIZE :	A3	
			PAGE :	4 DI 4	

SLMA0383R02V01



PRODUCT NAME : TEX-LCD	PART NAME : MAIN CARD
DESIGNER : A. TOMMASI	DATE : 18/08/21
ARCHIVING : "RVUT" SERVER, "RILASCIATI" FOLDER	REVISION : 1.0
	SCALE : 1:1
	SIZE : A4
	PAGE : 1
	DI : 1
	DOCUMENT CODE : SLMA0383R02V01

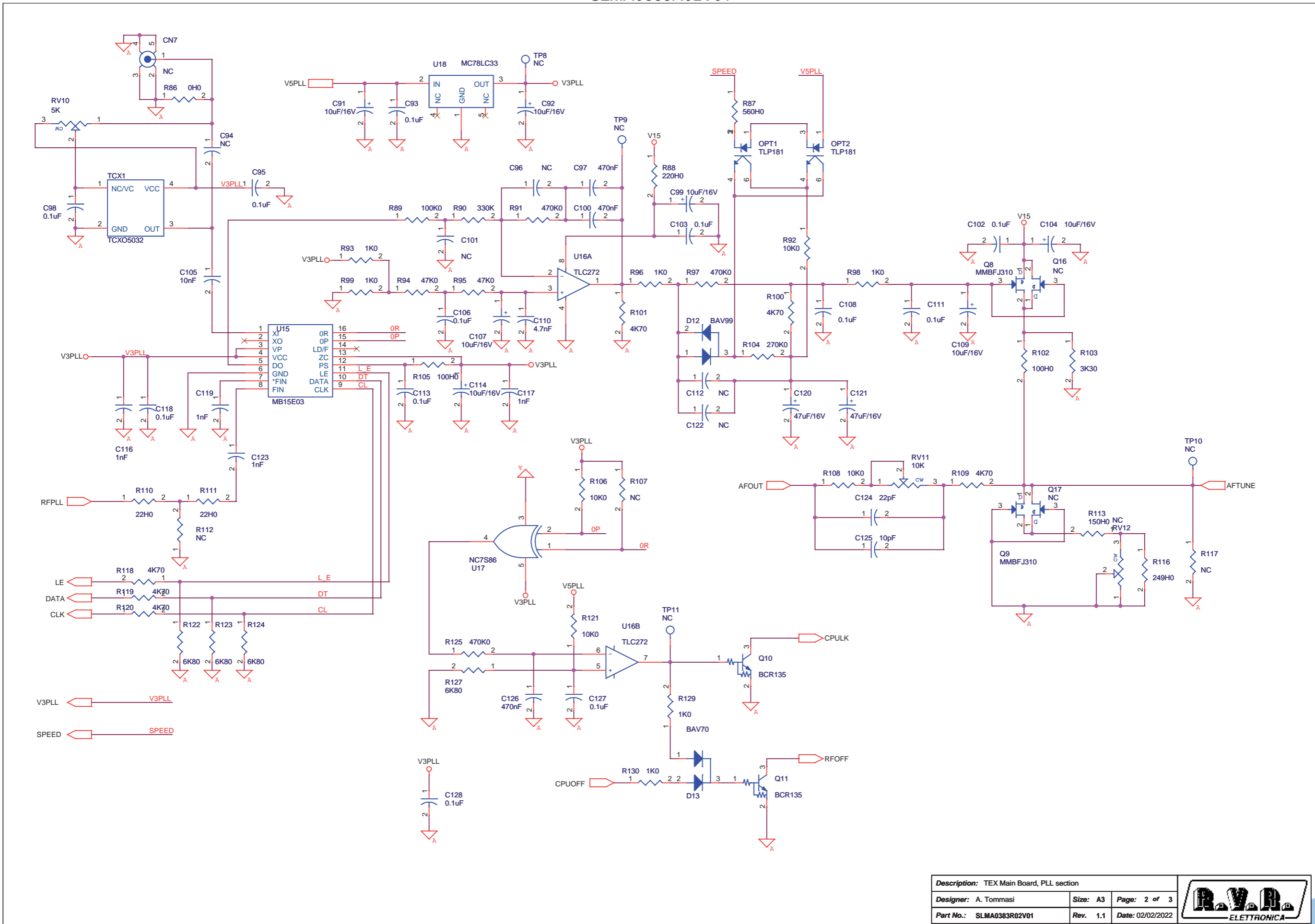
SLMA0383R02V01



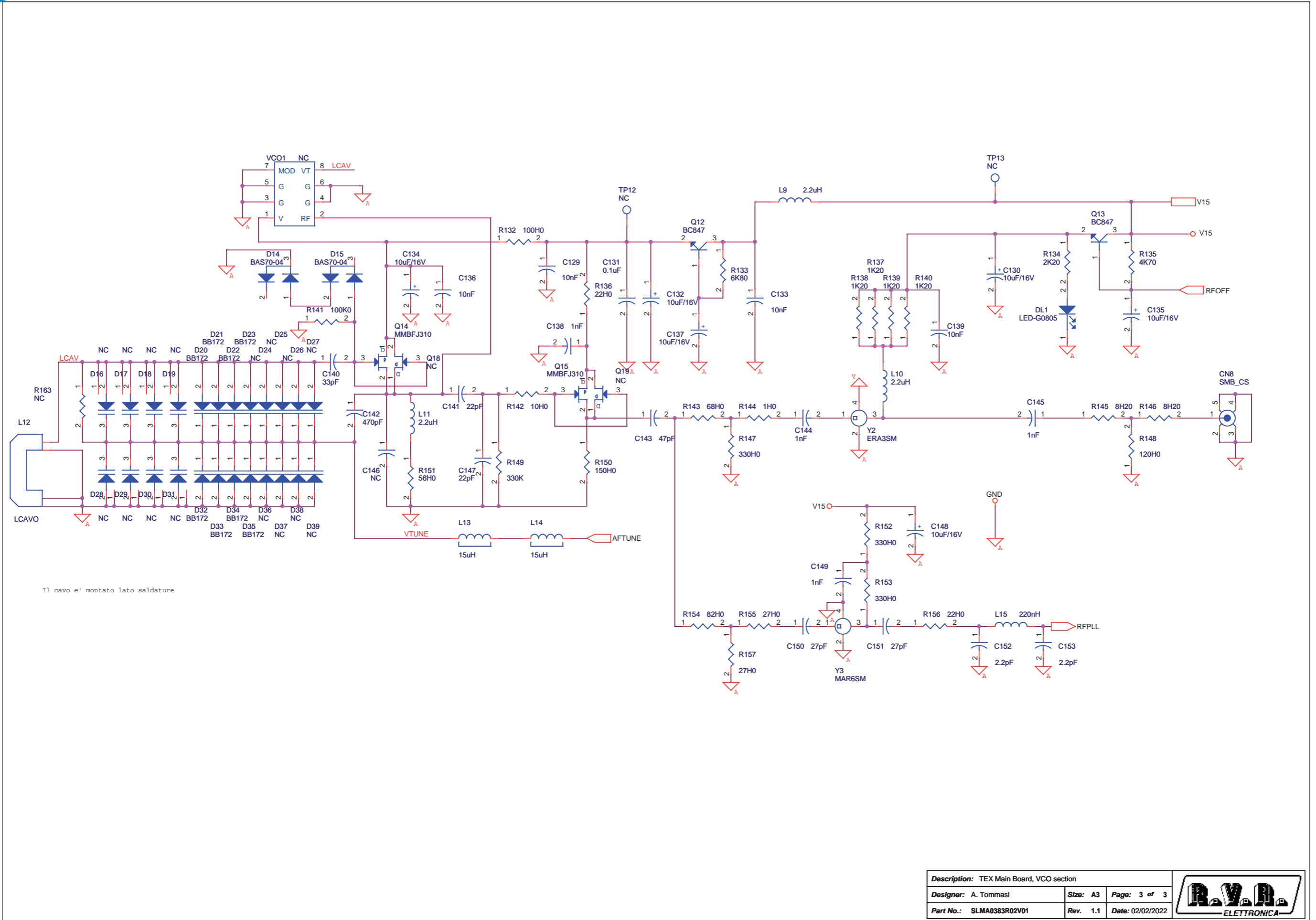
Description: TEX Main Board, Audio section		
Designer: A. Tommasi	Size: A2	Page: 1 of 3
Part No.: SLMA0383R02V01	Rev. 1.1	Date: 02/02/2022



SLMA0383R02V01



Description: TEX Main Board, PLL section			
Designer: A. Tommasi	Size: A3	Page: 2 of 3	
Part No.: SLMA0383R02V01	Rev. 1.1	Date: 02/02/2022	



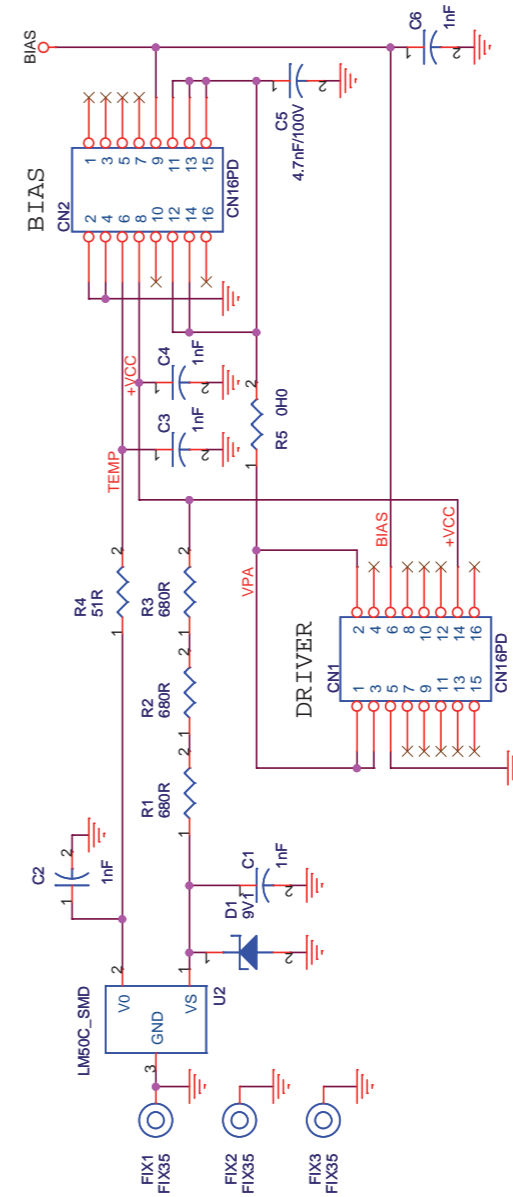
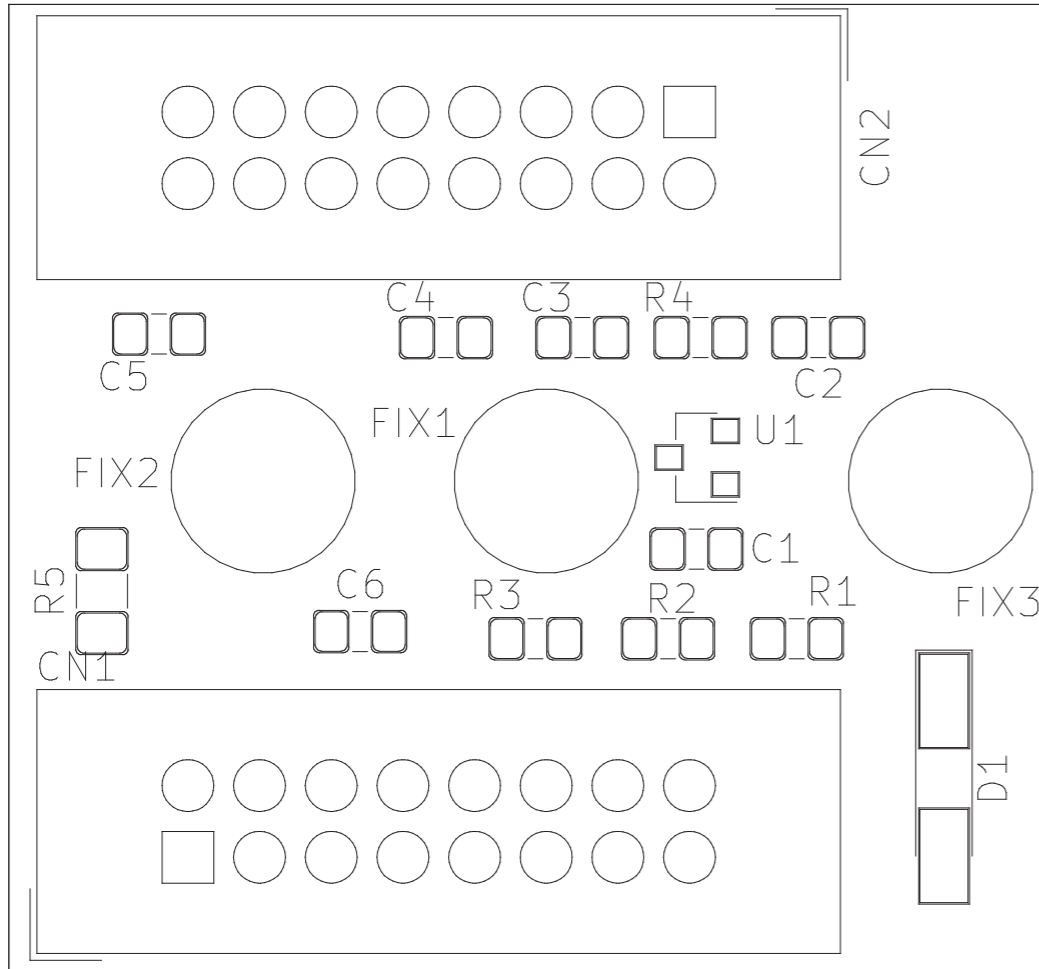
SLMA0383R02V01

TEX Main Board Revised: 02/02/2022
 SLMA0383R02V01 Revision: 1.1
 A. Tommasi

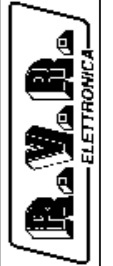
Item	Quantity	Reference	Part	Description
1	4	CN1, CN4, CN5, CN6	BNC_IS	BNC conn. 10x10 PCB
2	2	CN2, CN3	XLRFCSO	XLR fem. PCB conn.
3	1	CN7	NC	SMB pcb conn.
4	1	CN8	SMB_CS	SMB pcb conn.
5	1	COD1	SLCTC30V03	Stereo coder CTC30
6	1	CS1	CSMA0383R2	PCB
7	36	C1, C2, C3, C5, C17, C19, C22, C26, C31, C39, C40, C45, C47, C67, C77, C80, C82, C83, C84, C85, C86, C88, C89, C93, C95, C98, C102, C103, C106, C108, C111, C113, C118, C127, C128, C131	0.1uF	0805 SMD capacitor
8	4	C4, C33, C57, C143	47pF	0805 SMD capacitor
9	3	C6, C34, C53	15pF	0805 SMD capacitor
10	4	C7, C10, C32, C38	100uF/16V	SMD electr. cap. 6.3mm
11	18	C8, C9, C12, C13, C15, C16, C41, C42, C43, C44, C54, C55, C62, C63, C73, C74, C150, C151	27pF	0805 SMD capacitor
12	30	C11, C18, C20, C21, C30, C35, C36, C37, C51, C58, C64, C65, C66, C68, C72, C75, C81, C90, C91, C92, C99, C104, C107, C114, C130, C132, C134, C135, C137, C148	10uF/16V	Cond. Elett. SMD d. 4mm
13	2	C14, C46	68pF	0805 SMD capacitor
14	2	C23, C25	1nF 2%	0805 SMD capacitor COG
15	2	C24, C28	1.5nF 2%	0805 SMD capacitor COG
16	2	C27, C29	NC	Ceramic comp. dia. 7mm
17	3	C48, C61, C76	1uF	0805 SMD capacitor
18	3	C49, C50, C126	470nF	0805 SMD capacitor
19	8	C52, C60, C69, C105, C129, C133, C136, C139	10nF	0805 SMD capacitor
20	6	C56, C59, C94, C96, C101, C146	NC	0805 SMD capacitor
21	4	C70, C71, C78, C79	220uF/16V	SMD electr. cap. 6.3mm
22	1	C87	10uF/35V	SMD electr. cap. 5mm
23	2	C97, C100	470nF	1206 SMD capacitor
24	1	C109	10uF/16V	SMD tantalum cap. size C
25	1	C110	4.7nF	0805 SMD capacitor
26	2	C112, C122	NC	1206 SMD capacitor
27	8	C116, C117, C119, C123, C138, C144, C145, C149	1nF	0805 SMD capacitor
28	2	C120, C121	47uF/16V	SMD tantalum cap. size D
29	3	C124, C141, C147	22pF	0805 SMD capacitor
30	1	C125	10pF	0805 SMD capacitor
31	1	C140	33pF	0805 SMD capacitor
32	1	C142	470pF	0805 SMD capacitor
33	2	C152, C153	2.2pF	0805 SMD capacitor
34	2	C154, C155	6-30pF	Var. comp. Murata TZB4A
35	1	DL1	LED-G0805	SMD 0805 green led
36	1	DZ1	LM4040-10	SMD SOT23 precision Zener
37	9	D1, D2, D3, D4, D5, D6, D8, D10, D12	BAV99	Dual diode SMD SOT23
38	3	D7, D9, D11	5V1	MINIMELF SMD Zener Diode
39	1	D13	BAV70	Dual diode SMD SOT23
40	2	D14, D15	BAS70-04	Dual diode SMD SOT23
41	8	D16, D17, D18, D19, D28, D29, D30, D31	NC	Dual diode Varicap SMD SOT23
42	8	D20, D21, D22, D23, D32, D33, D34, D35	BB172	Varicap diode SOD323
43	8	D24, D25, D26, D27, D36, D37, D38, D39	NC	Varicap diode SOD323
44	9	FIX1, FIX2, FIX3, FIX4, FIX5, FIX6, FIX7, FIX8, FIX9	FIX35	Fixing hole 3.5mm
45	1	JP1	STF145	Female strip 14 pin
46	1	JP2	STF135	Female strip 13 pin
47	1	JP3	STM035	Male strip 3 pin
48	1	JP4	CN16PD	16 way pcb conn. with holder
49	2	JP5, JP6	STF105T	Male strip 10 pin turned
50	6	J1, J2, J3, J4, J5, J6	JSMDC	2 pad SMD jumper half closed
51	1	J7	JSMC	pad SMD jumper
52	11	L1, L2, L3, L4, L5, L6, L7, L8, L9, L10, L11	2.2uH	SMD inductor 3225 (1210)
53	1	L12	LCAVO	Induttanza a cavo RG
54	2	L13, L14	15uH	SMD inductor 3225 (1210) shielded
55	1	L15	220nH	SMD inductor 3225 (1210)
56	2	OPT1, OPT2	TLP181	Optocoupler SMD SO6
57	4	Q1, Q2, Q4, Q5	BC857	PNP trans. SOT23
58	4	Q3, Q6, Q12, Q13	BC847	NPN trans. SOT23
59	1	Q7	2N7002	Trans. FET SOT23
60	4	Q8, Q9, Q14, Q15	MMBFJ310	Trans. FET SOT23
61	2	Q10, Q11	BCR135	Digital NPN trans. SOT23
62	4	Q16, Q17, Q18, Q19	NC	Trans. FET SOT23
63	2	RV1, RV11	10K	Trimmer Rg V 3269W SMD
64	5	RV2, RV4, RV5, RV6, RV7	10K	Trimmer Rg V 3296W
65	1	RV3	50K	Trimmer Rg V 3296W
66	2	RV8, RV9	5K	Trimmer Rg V 3269W SMD
67	1	RV10	5K	Trimmer Rg V 3296W
68	1	RV12	NC	Trimmer SMD

Item	Quantity	Reference	Part	Description
69	8	R1, R33, R55, R63, R73, R102, R105, R132	100H0	0805 SMD res.
70	5	R2, R13, R20, R28, R142	10H0	0805 SMD res.
71	5	R3, R14, R21, R25, R40	30K9	0805 SMD res.
72	6	R4, R5, R26, R27, R42, R43	2K49	0805 SMD res.
73	2	R7, R23	604H0	0805 SMD res.
74	28	R8, R9, R16, R17, R18, R19, R24, R32, R35, R36, R37, R47, R53, R54, R58, R59, R70, R75, R76, R79, R83, R84, R92, R106, R108, R121, R159, R164	10K0	0805 SMD res.
75	4	R10, R46, R72, R85	1M0	0805 SMD res.
76	2	R12, R29	48K7	0805 SMD res.
77	5	R15, R22, R147, R152, R153	330H0	0805 SMD res.
78	8	R30, R31, R51, R52, R66, R69, R89, R141	100K0	0805 SMD res.
79	1	R34	51H0	0805 SMD res.
80	3	R38, R60, R77	12K0	0805 SMD res.
81	4	R39, R61, R78, R134	2K20	0805 SMD res.
82	11	R41, R56, R62, R65, R71, R93, R96, R98, R99, R129, R130	1K0	0805 SMD res.
83	4	R44, R45, R68, R80	15K0	0805 SMD res.
84	1	R48	20K0	0805 SMD res.
85	1	R49	28K0	0805 SMD res.
86	11	R50, R107, R112, R114, R115, R117, R158, R160, R161, R162, R163	NC	0805 SMD res.
87	2	R57, R67	37K4	0805 SMD res.
88	1	R64	4K99	0805 SMD res.
89	8	R74, R100, R101, R109, R118, R119, R120, R135	4K70	0805 SMD res.
90	1	R81	47H0	0805 SMD res.
91	1	R82	576H0	0805 SMD res.
92	2	R86, R131	0H0	0805 SMD res.
93	1	R87	560H0	0805 SMD res.
94	1	R88	220H0	0805 SMD res.
95	2	R90, R149	330K0	0805 SMD res.
96	3	R91, R97, R125	470K0	0805 SMD res.
97	2	R94, R95	47K0	0805 SMD res.
98	1	R103	3K30	0805 SMD res.
99	1	R104	270K0	0805 SMD res.
100	4	R110, R111, R136, R156	22H0	0805 SMD res.
101	2	R113, R150	150H0	0805 SMD res.
102	1	R116	249H0	0805 SMD res.
103	5	R122, R123, R124, R127, R133	6K80	0805 SMD res.
104	4	R137, R138, R139, R140	1K20	0805 SMD res.
105	1	R143	68H0	0805 SMD res.
106	1	R144	1H0	0805 SMD res.
107	2	R145, R146	8H20	0805 SMD res.
108	1	R148	120H0	0805 SMD res.
109	1	R151	56H0	0805 SMD res.
110	1	R154	82H0	0805 SMD res.
111	2	R155, R157	27H0	0805 SMD res.
112	1	SW1	SWDIP4	4 ways switch slide dip
113	2	SW2, SW3	SWDIP2	2 ways switch slide dip
114	1	TCX1	10MHz	TCXO SMD 5x3.2mm
115	13	TP1, TP2, TP3, TP4, TP5, TP6, TP7, TP8, TP9, TP10, TP11, TP12, TP13	NC	Test point
116	5	U1, U2, U3, U5, U6	TL072SMD	Dual Op. SMD SO8
117	1	U4	CD4053SMD	Analog Switch SMD SO16
118	2	U8, U9	LM358SMD	Dual Op. SMD SO8
119	2	U10, U11	LM393SMD	Dual Comp. SMD SO8
120	2	U12, U17	NCT586	XOR Port
121	1	U13	LM7815	Voltage reg. TO220
122	1	U14	NC	Voltage reg. SMD D2PAK
123	1	U15	MB15E03	Integrated PLL
124	1	U16	TLC272	Dual Op. SMD SO8
125	1	U18	MC78LC33	SOT23-5 voltage regulator"
126	1	VCO1	NC	VCO SKY 8 pin FVC7MD
127	1	Y1	SLAU0469R01V02	Audio stereo filter
128	1	Y2	ERA35M	Hybrid MAR/ERA
129	1	Y3	MAR65M	Hybrid MAR/ERA

SLIN0501R01V01



CS1
CSIN0501R1



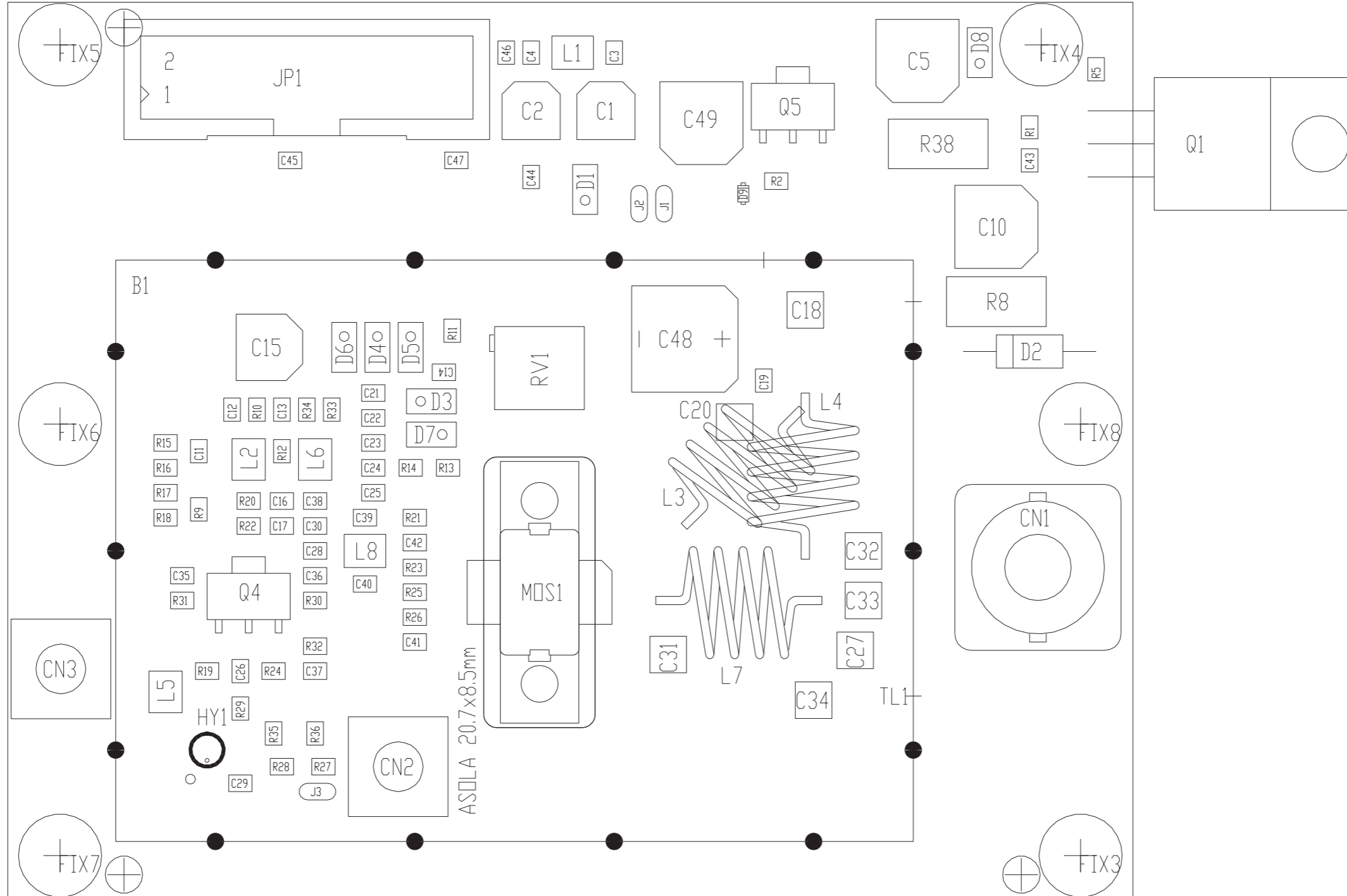
Description: Driver Interface & Temp Sensor	
Designer: A.Franceschi	Size: A4
Part No.: SLIN0501R01V01	Page: 1 of 1
Rev. 1.0	Date: 09/09/2019

	PRODUCT NAME : TEX-TFT	PART NAME : DRIVER INTERFACE & TEMP SENSOR				
	DESIGNER : A. FRANCESCHI	DATE : 10/09/19	REVISION : 1.0	SCALE : 4:1	SIZE : A4	PAGE : 1 DI 1
ARCHIVING : 'RVVUT' SERVER, 'RILASCIATI' FOLDER	PROJECT CODE : 252	DOCUMENT CODE : SLIN0501R01V01				

SLIN0501R01V01

Driver interface & Temp Sensor Revised: Monday, September 09, 2019
 SLIN0501R01V01 Revision: 1.0
 A.Franceschi

Item	Quantity	Reference	Part
1	2	CN1, CN2	CN16PD
2	1	CS1	CSIN0501R1
3	5	C1, C2, C3, C4, C6	1nF
4	1	C5	4.7nF/100V
5	1	D1	9V1
6	3	FIX1, FIX2, FIX3	FIX35
7	3	R1, R2, R3	680R
8	1	R4	51R
9	1	R5	0H0
10	1	U2	LM50C_SMD



PRODUCT NAME : TEX-TFT

DESIGNER : FRANCESCHI A.

ARCHIVING : "RVRUT" SERVER, "RILASCIATI" FOLDER

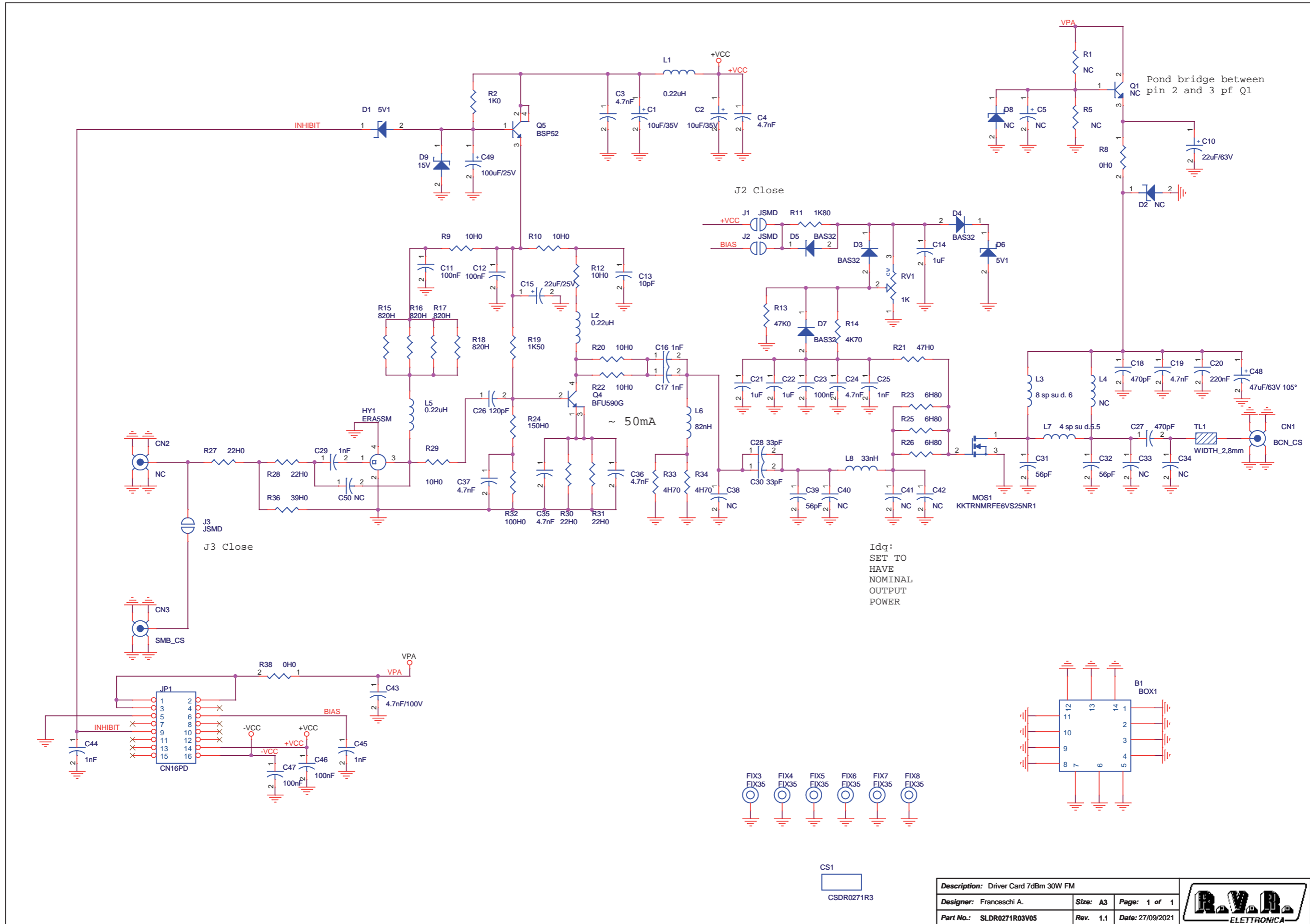
PART NAME : DRIVER CARD 50V 30W 7DBM FM

DATE : 09/09/21 | REVISION : 1.0 | SCALE : 2:1 | SIZE : A4 | PAGE : 1 | DI 1

PROJECT CODE : 252 | DOCUMENT CODE : SLDR0271R03V05



SLDR0271R03V05



Description: Driver Card 7dBm 30W FM		
Designer: Franceschi A.	Size: A3	Page: 1 of 1
Part No.: SLDR0271R03V05	Rev.: 1.1	Date: 27/09/2021

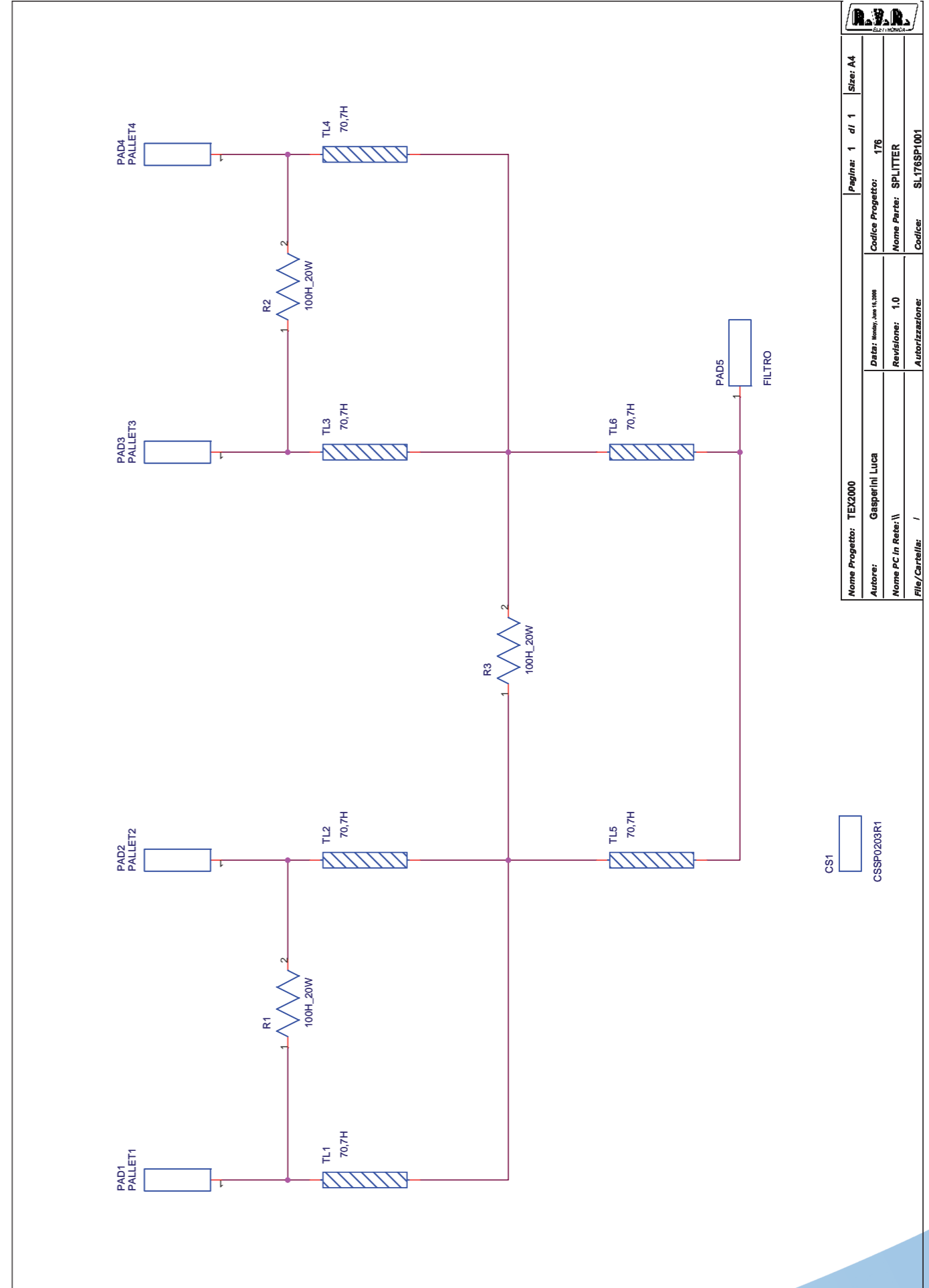
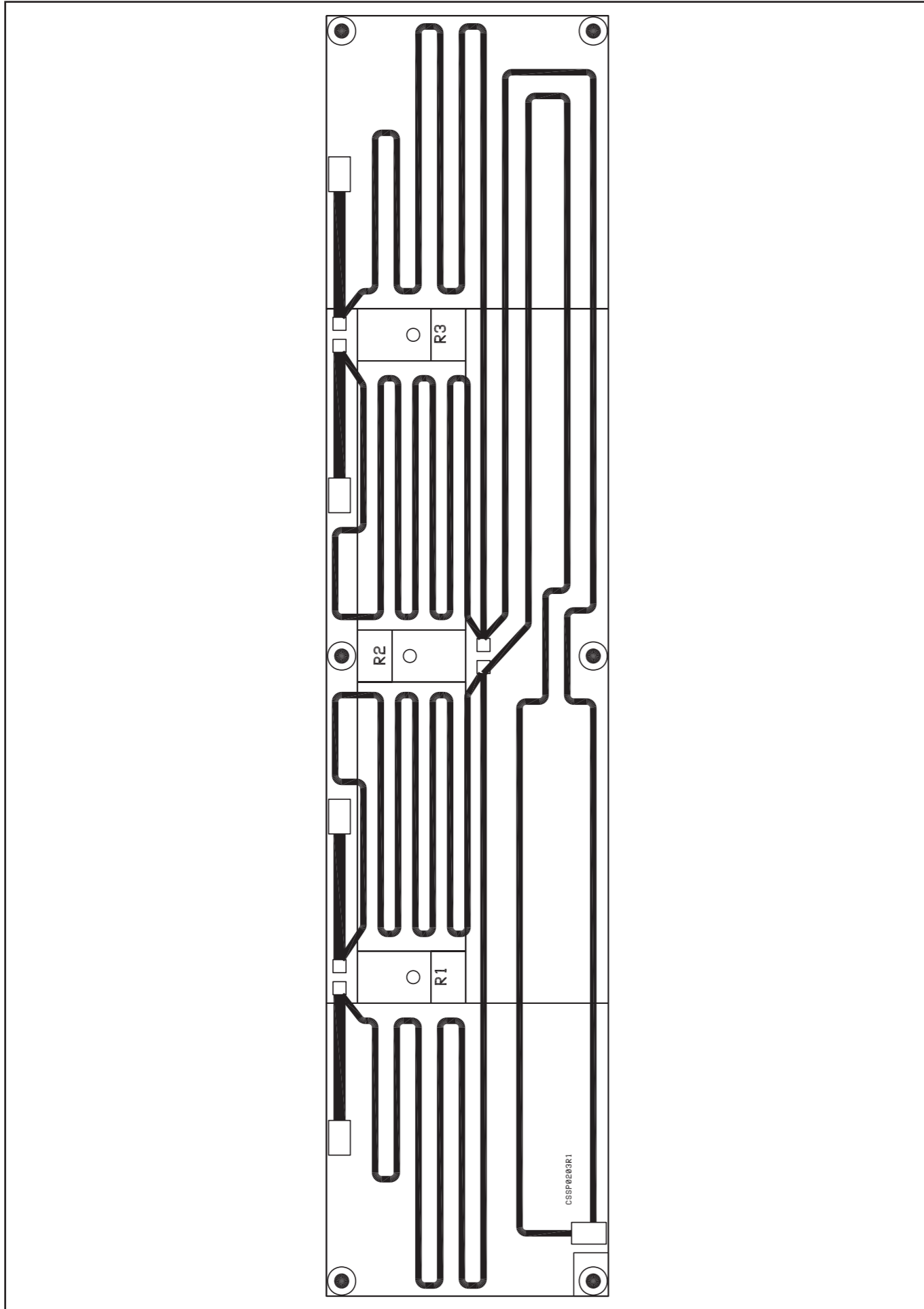


SLDR0271R03V05

Driver Card 7dBm 30W FM Revised: 27/09/2021
 SLDR0271R03V05 Revision: 1.1
 Franceschi A.

Item	Quantity	Reference	Part
1	1	B1	BOX1
2	1	CN1	BCN_CS
3	1	CN2	NC
4	1	CN3	SMB_CS
5	1	CS1	CSDR0271R3
6	2	C1, C2	10uF/35V
7	7	C3, C4, C19, C24, C35, C36, C37	4.7nF
8	1	C5	NC
9	1	C10	22uF/63V
10	5	C11, C12, C23, C46, C47	100nF
11	1	C13	10pF
12	3	C14, C21, C22	1uF
13	1	C15	22uF/25V
14	6	C16, C17, C25, C29, C44, C45	1nF
15	2	C18, C27	470pF
16	1	C20	220nF
17	1	C26	120pF
18	2	C28, C30	33pF
19	2	C31, C32	56pF
20	2	C33, C34	NC
21	5	C38, C40, C41, C42, C50	NC
22	1	C39	56pF
23	1	C43	4.7nF/100V
24	1	C48	47uF/63V 105°
25	1	C49	100uF/25V
26	2	D1, D6	5V1
27	1	D2	NC
28	4	D3, D4, D5, D7	BAS32
29	1	D8	NC
30	1	D9	15V
31	6	FIX3, FIX4, FIX5, FIX6, FIX7, FIX8	FIX35
32	1	HY1	ERA5SM
33	1	JP1	CN16PD
34	3	J1, J2, J3	JSMD
35	3	L1, L2, L5	0.22uH
36	1	L3	8 sp su d. 6
37	1	L4	NC
38	1	L6	82nH
39	1	L7	4 sp su d.5.5
40	1	L8	33nH
41	1	MOS1	KKTRNMRFE6VS25NR1
42	1	Q1	NC
43	1	Q4	BFU590G
44	1	Q5	BSP52
45	1	RV1	1K
46	2	R1, R5	NC

SL176SP1001



R.V.R. S.p.A. - MONCALCATE	
Nome Progetto: TEX2000	Pagina: 1 di 1 Size: A4
Autore: Gasparini Luca	Codice Progetto: 176
Nome P.C. in Rete: \	Nome Parte: SPLITTER
File/Cartella: /	Revisione: 1.0
	Autore/Revisione: /
	Codice: SL176SP1001

CS1
CSSP0203R1

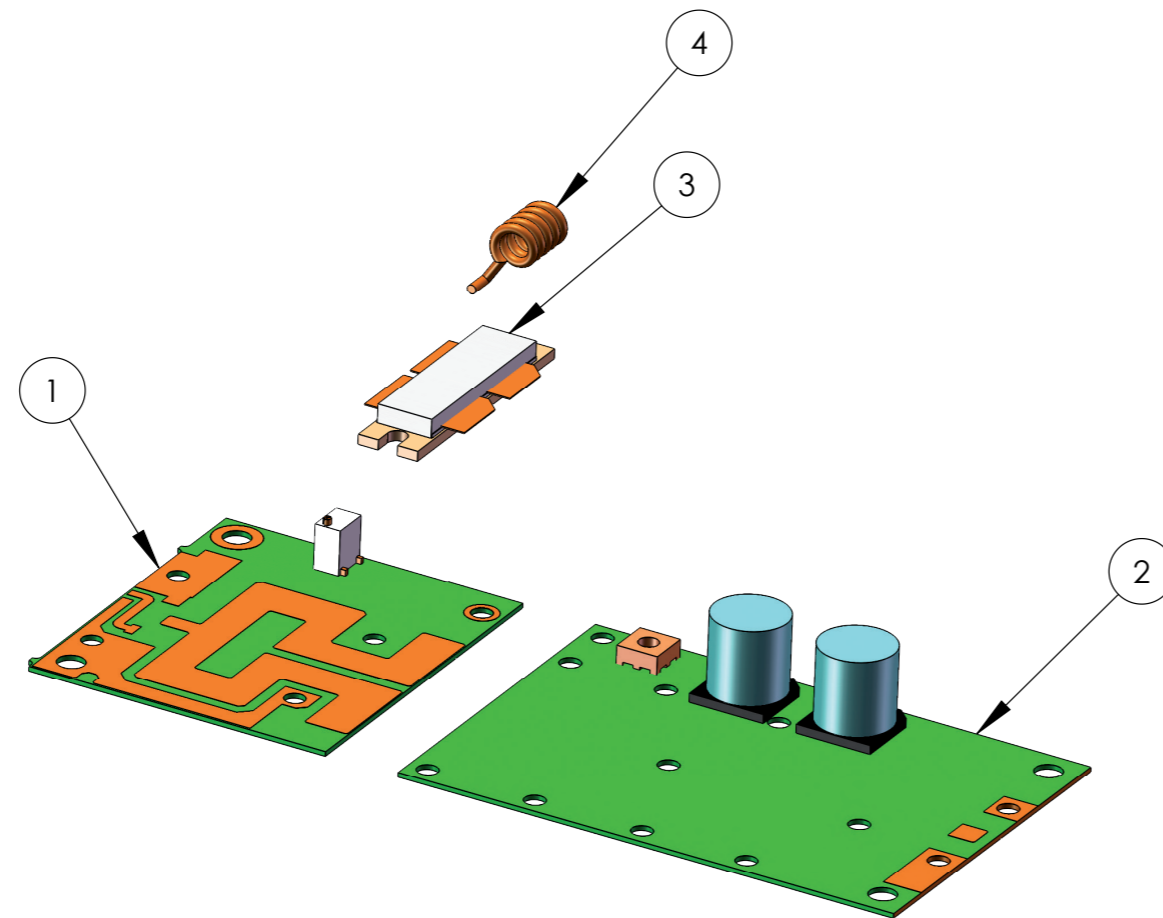
SL176SP1001

SPLITTER Revised: Monday, June 16, 2008
 SL176SP1001 Revision: 1.0
 TEX2000
 176
 Gasperini Luca

Item	Quantity	Reference	Part
1	1	CS1	CSSP0203R1
2	1	PAD1	PALLET1
3	1	PAD2	PALLET2
4	1	PAD3	PALLET3
5	1	PAD4	PALLET4
6	1	PAD5	INPUT
7	2	R1, R2, R3	100H_250W

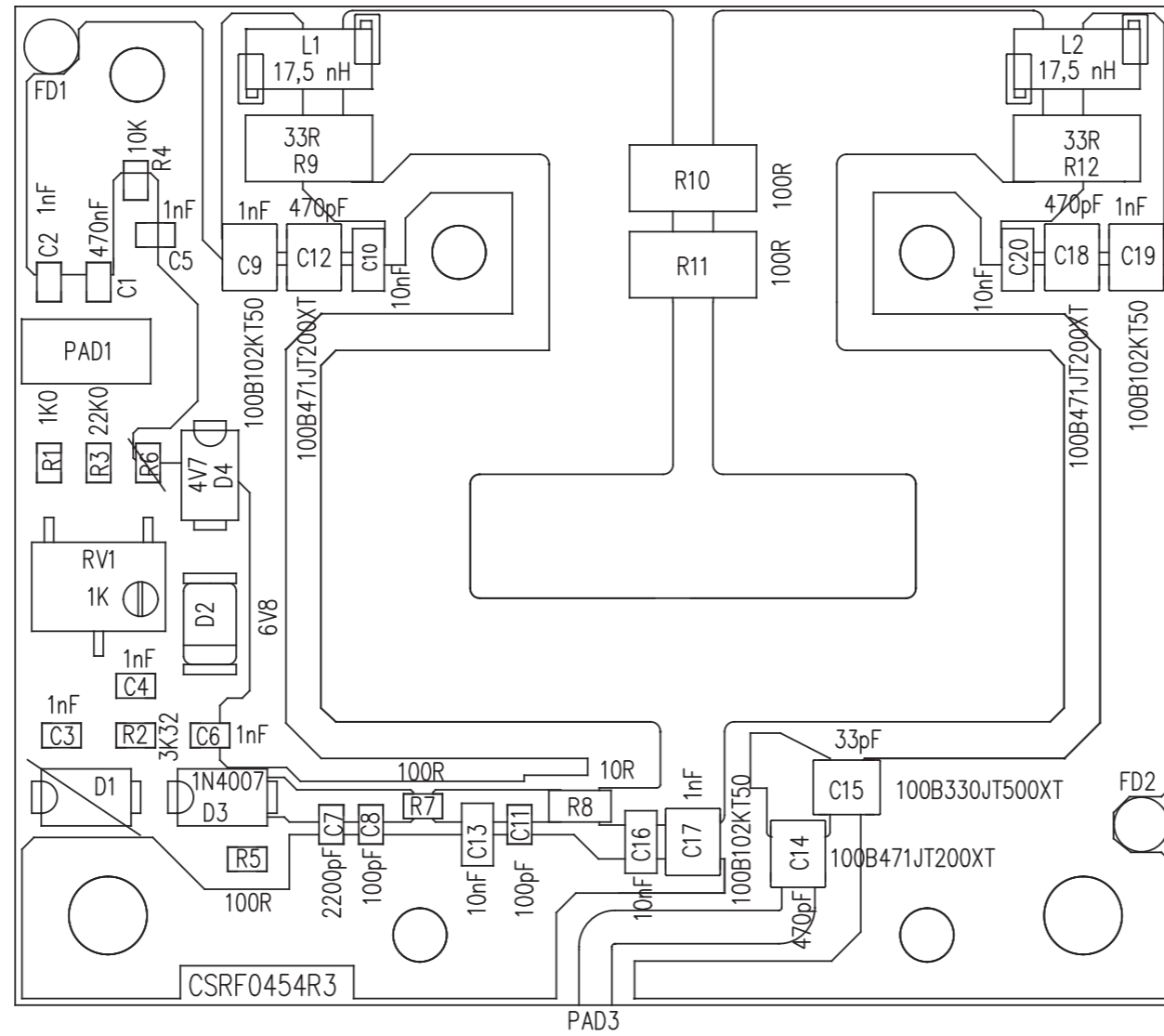
SL246RF1001

Nr	Codice	Descrizione	Qta.
1	SLRF0454R03V01	PA RF 1250W SEZ.INPUT	1
2	SLRF0455R03V01	SL PA RF 1250W SEZ.OUTPUT	1
3	TRNBLF188XR	TRANSISTOR TRNBLF188XR	1
4	BOB01020213A	BOB.IN ARIA RAME ARG.KIT 64 REV.D	1



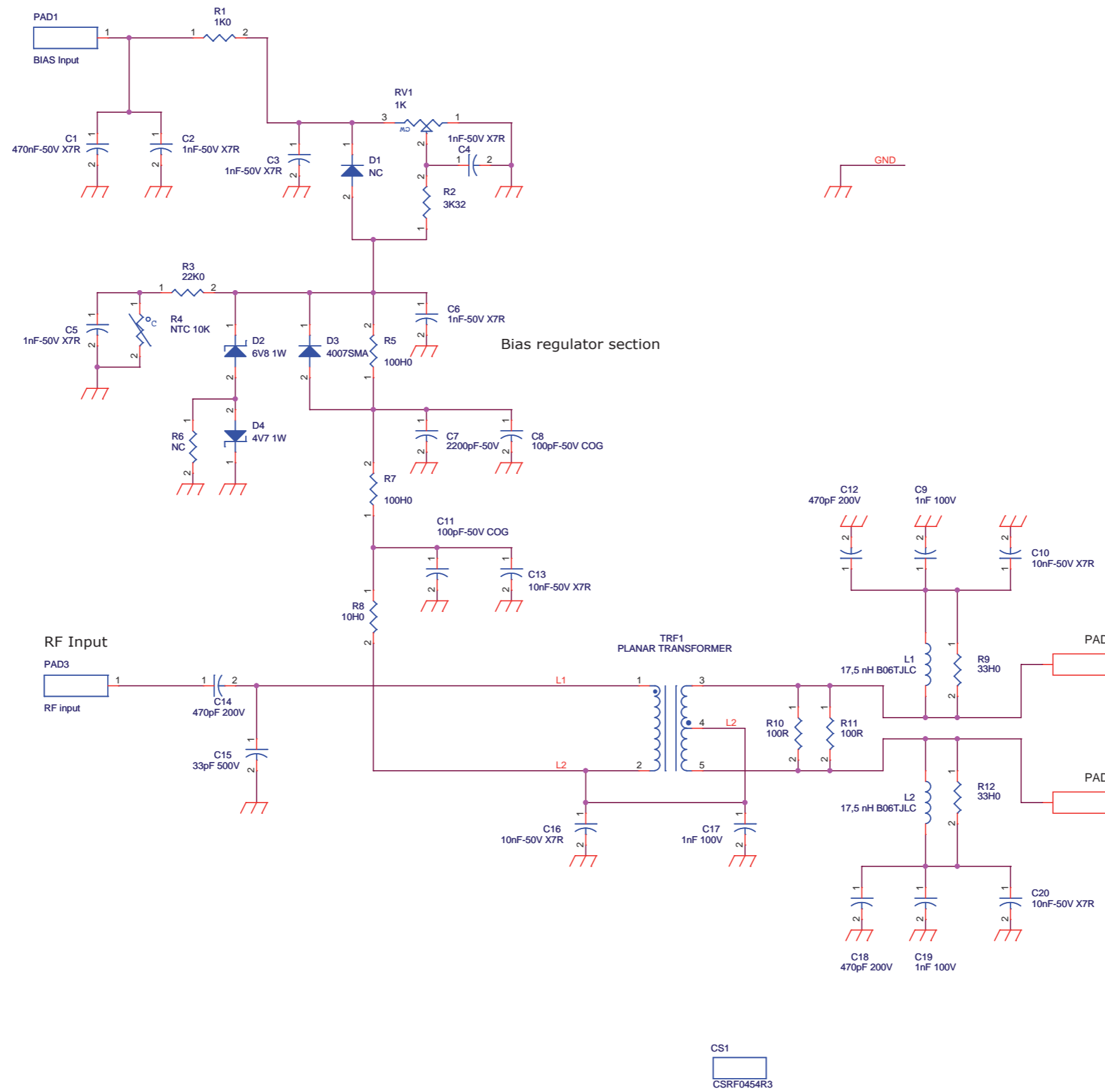
	PROFILE:	DESCRIPTION: SL PAU tex-pj1002 2019			
	MATERIAL:	CODE: SL246RF1001	AUTHOR: UT2		
GENERAL TOLERANCE UNI ISO 2768-1	TREATMENT:	DATE: 28/01/2020	PROJECT N°: xxx	SCALE: 1:1	FORMAT: A3
					PAGE: 1/1

SLRF0454R03V01



	PRODUCT NAME : TEX-TFT	PART NAME : RF PA 1000W BLF188 INPUT SECTION
	DESIGNER : S. RAVAGNANI	DATE 24/01/18 REVIS. : 3.0 SCALE 3:1 SIZE A3 PAGE :1 DI 1
	ARCHIVING : 'RVRUT' SERVER, 'RILASCIATI' FOLDER	PROJECT CODE : 246 DOCUMENT CODE : SLRF0454R03V01

SLRF0454R03V01



Description: RF PA 1000W BLF188 INPUT		
Designer: S. RAVAGNANI	Size: A3	Page: 1 of 1
Part No.: SLRF0454R03V01	Rev. 1.2	Date: 24/05/2022

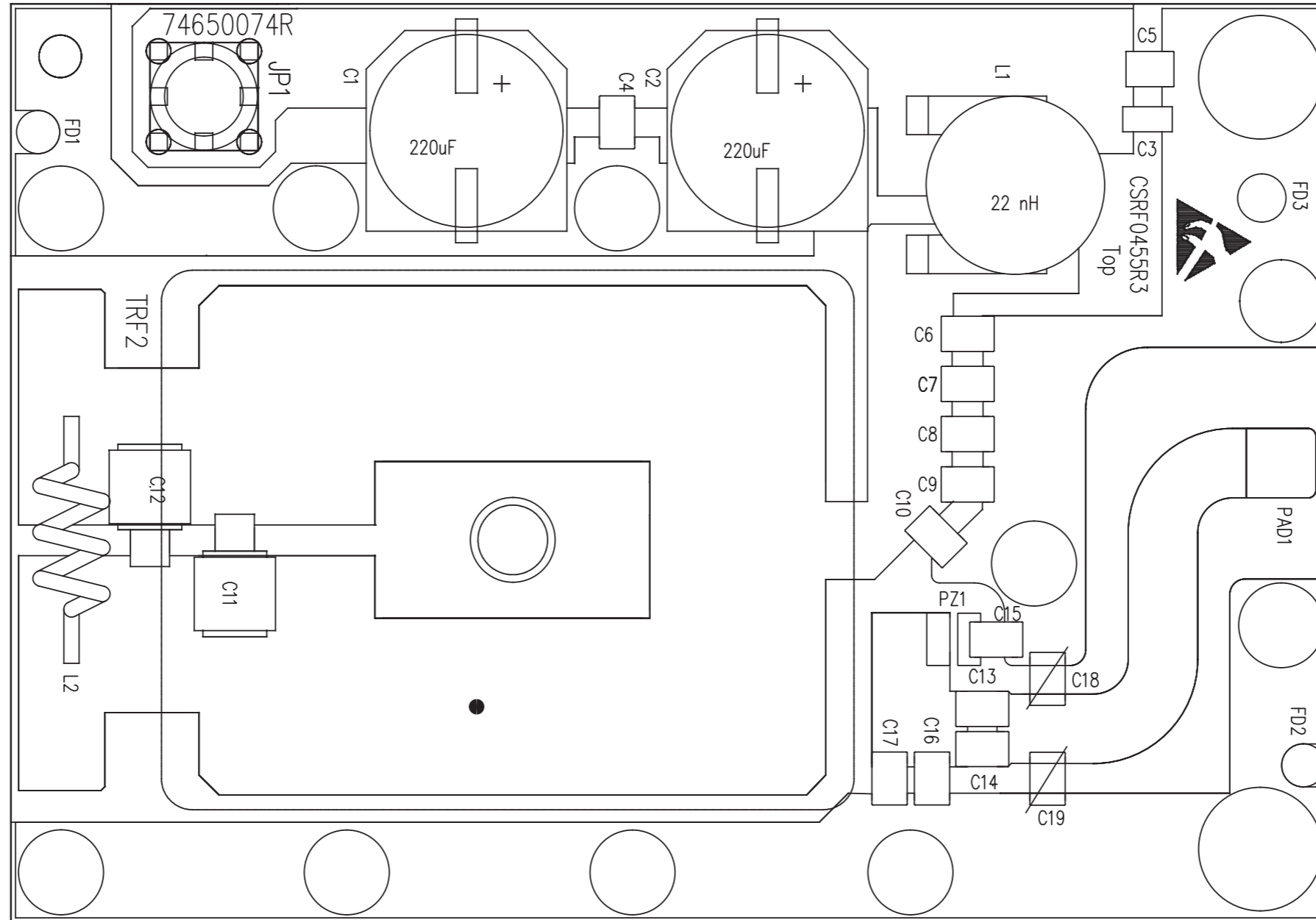


SLRF0454R03V01

RF PA 1000W BLF188 INPUT Revised: 24/05/2022
 SLRF0454R03V01 Revision: 1.2
 S.RAVAGNANI

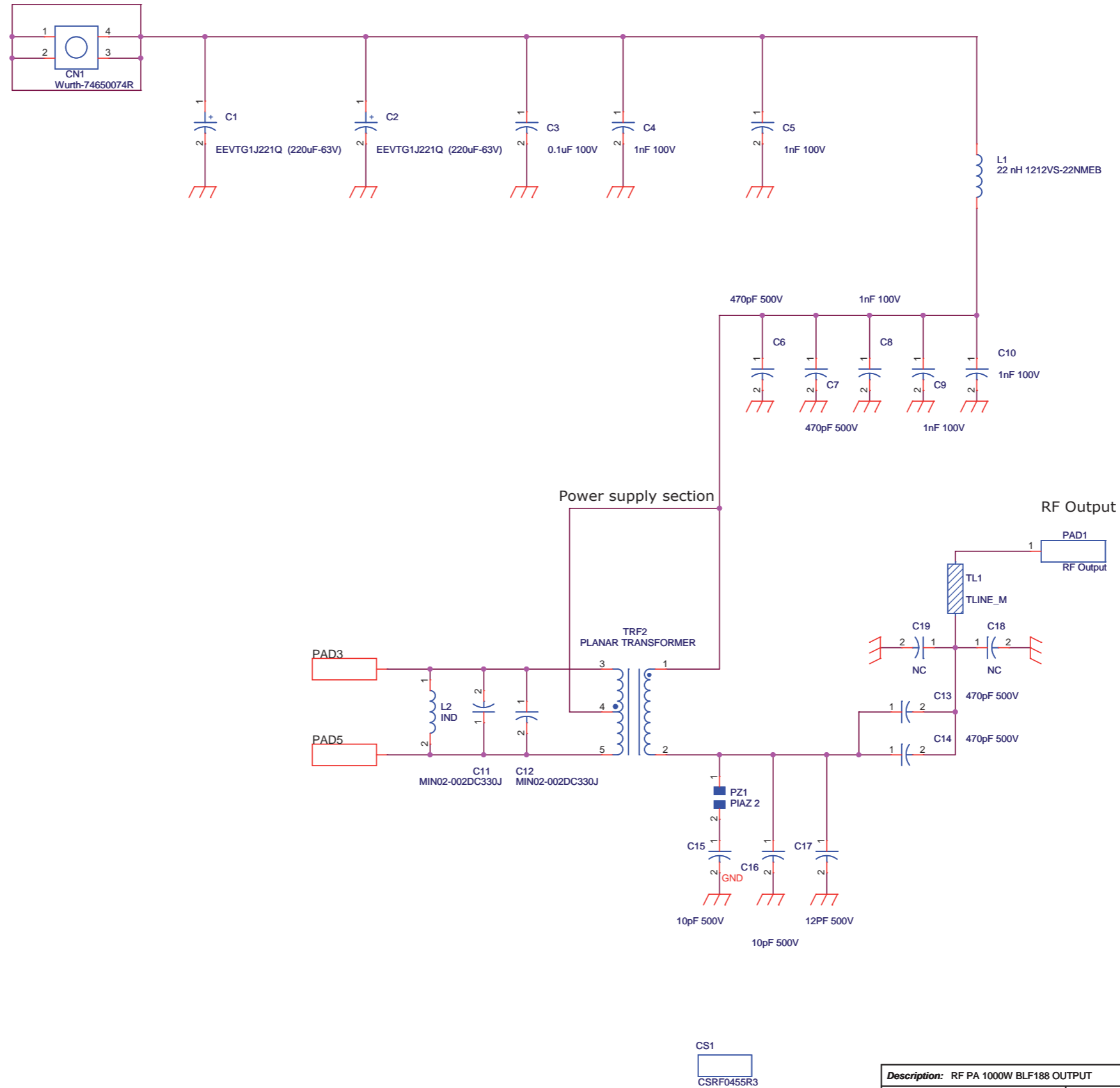
Item	Quantity	Reference	Part	Description
1	1	CS1	CSRF0454R3	Printed Circuit board
2	1	C1	470nF-50V X7R	0805 SMD capacitor
3	5	C2, C3, C4, C5, C6	1nF-50V X7R	0805 SMD capacitor
4	1	C7	2200pF-50V	0805 COG SMD capacitor
5	2	C8, C11	100pF-50V COG	0805 COG SMD capacitor
6	3	C9, C17, C19	1nF 100V	1212 HQ SMD capacitor
7	4	C10, C13, C16, C20	10nF-50V X7R	1206 SMD capacitor
8	3	C12, C14, C18	470pF 200V	1212 HQ SMD capacitor
9	1	C15	33pF 500V	1212 HQ SMD capacitor
10	1	D1	NC	SMD diode cont. SMA
11	1	D2	6V8 1W	MELF SMD Zener Diode
12	1	D3	4007SMA	SMD diode cont. SMA
13	1	D4	4V7 1W	SMA SMD Zener Diode
14	2	L1, L2	17,5 nH B06TJLC	SMD inductor 2512
15	1	PAD1	BIAS input	SMD pad
16	1	PAD3	RF input	SMD pad
17	1	RV1	1K	Trimmer Rg V 3269W SMD
18	1	R1	1K0	0805 1% SMD res.
19	1	R2	3K32	0805 1% SMD res.
20	1	R3	22K0	0805 1% SMD res.
21	1	R4	NTC 10K	NTC resistor SMD 0805
22	2	R5, R7	100H0	0805 1% SMD res.
23	1	R6	NC	1206 1% SMD res.
24	1	R8	10H0	1206 1% SMD res.
25	2	R9, R12	33H0	2512 5% SMD res.
26	2	R10, R11	100R	2512 1% SMD res.
27	1	TRF1	PLANAR TRANSFORMER	Strip Line

SLRF0455R03V01



	PRODUCT NAME : TEX-TFT	PART NAME : RF PA 1000W BLF188 OUTPUT SECTION
	DESIGNER : S. RAVAGNANI	DATE 24/01/18 REVIS. : 3.0 SCALE 3:1 SIZE A3 PAGE : 1 DI 1
ARCHIVING : 'RVRUT' SERVER, 'RILASCIATI' FOLDER		PROJECT CODE : 246 DOCUMENT CODE : SLRF0455R03V01

SLRF0455R03V01



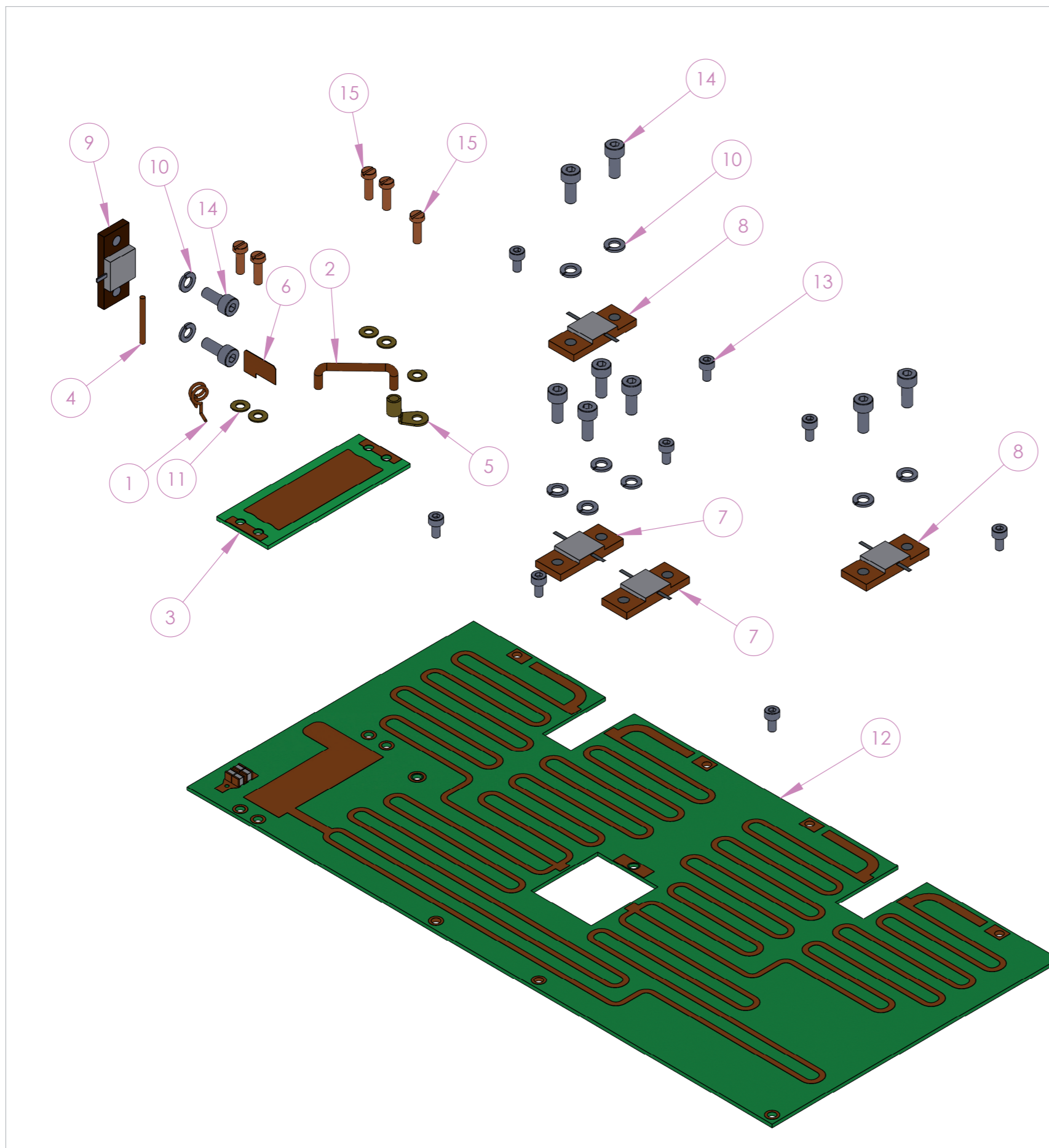
Description: RF PA 1000W BLF188 OUTPUT		
Designer: S.RAVAGNANI	Size: A3	Page: 1 of 1
Part No.: SLRF0455R03V01	Rev: 1.2	Date: 24/05/2022



SLRF0455R03V01

RF PA 1000W BLF188 OUTPUT Revised: 24/05/2022
 SLRF0455R03V01 Revision: 1.2
 S.RAVAGNANI

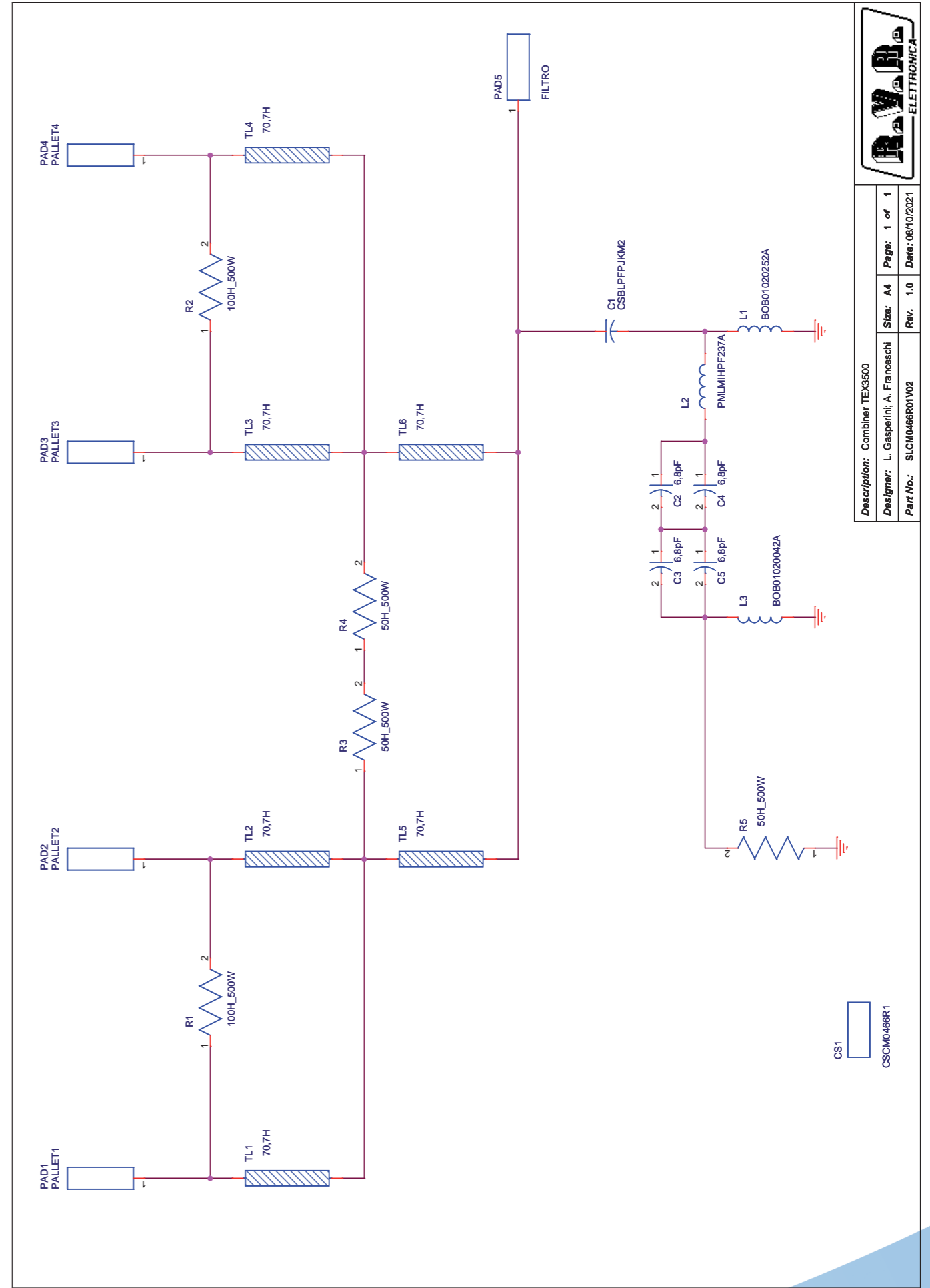
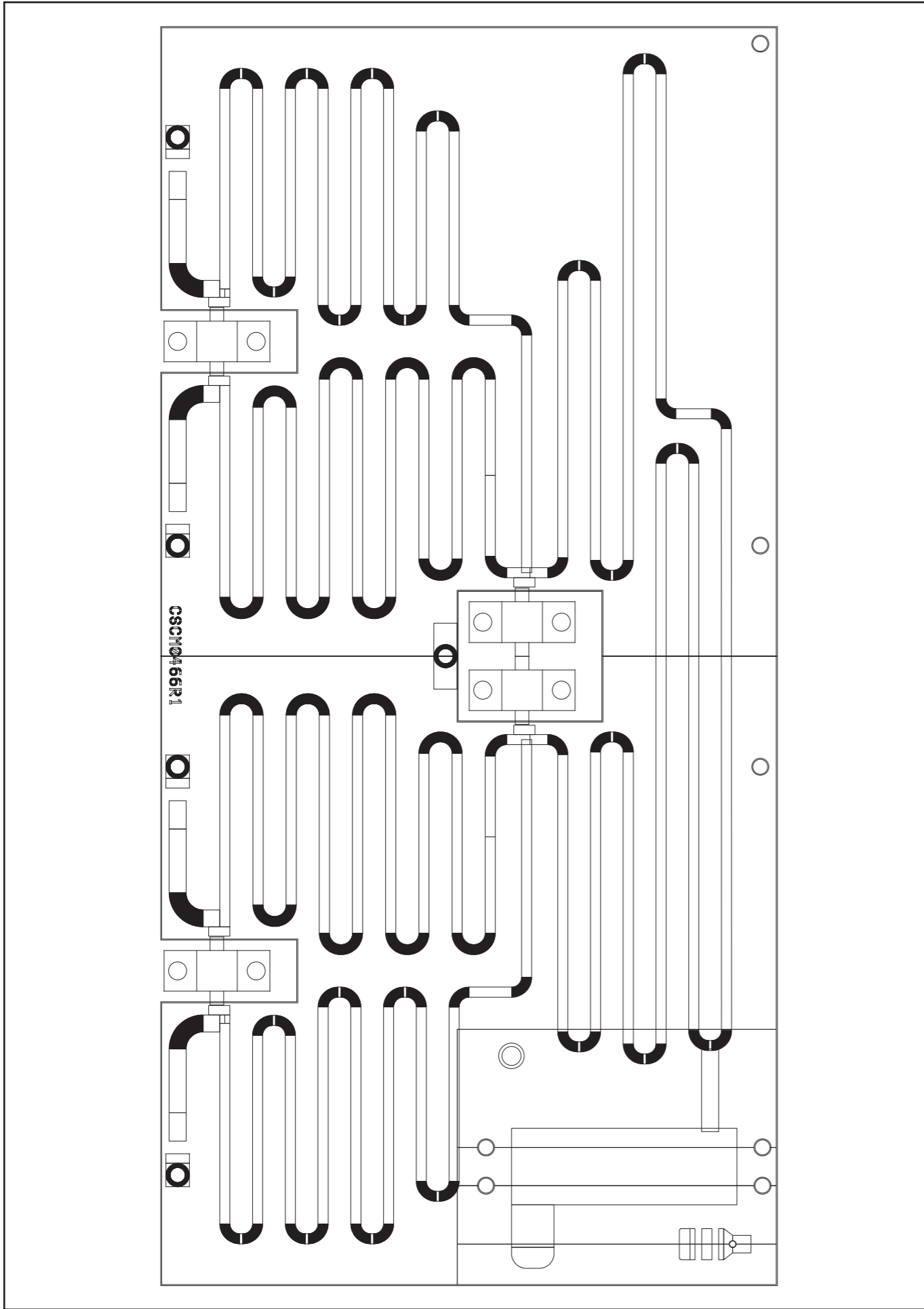
Item	Quantity	Reference	Part	Description
1	1	CN1	Wurth-74650074R	Power screw conn. 4pin WE 74650074R
2	1	CS1	CSRF0455R3	Printed Circuit board
3	2	C1, C2	EEVTG1J221Q (220uF-63V)	SMD electr, cap. 12,5mm
4	1	C3	0.1uF 100V	1206 SMD capacitor
5	5	C4, C5, C8, C9, C10	1nF 100V	1212 HQ SMD capacitor
6	4	C6, C7, C13, C14	470pF 500V	1212 HQ SMD capacitor
7	2	C11, C12	MIN02-002DC330J	Silver mica capacitor SEMCO
8	2	C15, C16	10pF 500V	1212 HQ SMD capacitor
9	1	C17	12PF 500V	1212 HQ SMD capacitor
10	2	C18, C19	NC	1212 HQ SMD capacitor
11	1	L1	22 nH 1212VS-22NMEB	Power inductor 1212VS series
12	1	L2	IND	Custom Inductor
13	1	PAD1	RF Output	SMD pad
14	1	PZ1	PIAZ 2	
15	1	TL1	TLINE_M	Strip Line
16	1	TRF2	PLANAR TRANSFORMER	Strip Line



BOM Table			
Nr	Codice	Descrizione	Qta.
1	BOB01020042A (2)	4 spire filo 1mm R.Arg avvolte su D.4.5 lungh 5.5 mm	1
2	BOB01020252A	BOB.IN ARIA RAME ARGENTATO	1
3	CSBLPPPJ1KM2.dxf	CIRC.STAMP. IN TEFLON X CAPAC.BASSA	1
4	FILARGE0002_20mm	FILO ARGENTATO DIAM 2MM	1
5	OCCGN-M3_5	OCCHIELLO CEMBRE GN-M3.5 NUDO	1
6	PMLMIHPF237A	LAMIER. HIGH PASS FILTER TEX/PJ 3U	1
7	RDR500J0050H	RES. HP 500W 50H 5%	2
8	RDR500J0100H	RES. HP 500W 100H 5% 2FL-M4	2
9	RDT500J0050H	RES. DI TERMINAZIONE 500W 100R 5%	1
10	RNDISM04I	ROND.DIAM.MM.4 ELAS.SPAC.INOX BN672	10
11	RNDOPM03O	ROND.DIAM.MM.3 PIANA OTT. BN560	5
12	SLCM0466R01V02S	SEM.SCH. COMBINER TEX/PJ3500 3U smd	1
13	VICEI03M006I	VITE INOX CIL.ESAG.INC.3M6 BN610	8
14	VICEI04M010I	VITE INOX CIL.ESAG.INC.4M10 INOX BN610	10
15	VOCTA03M010O	VITE OTTON CILINDRICA 3MX10 TAGLIO BN532	5

	PROFILE:	DESCRIPTION: SEM.SCH. COMBINER TEX/PJ3500 3U		
	MATERIAL:	CODE: SLCM0466R01V02	AUTHOR: UT2	
GENERAL TOLERANCE UNI ISO 2768-1	TREATMENT:	DATE: 15/10/2021	PROJECT N°: 249	TYPE: SCALE: 1.4:2
			FORMAT: A3	PAGE: 1/1

SLCM0466R01V02

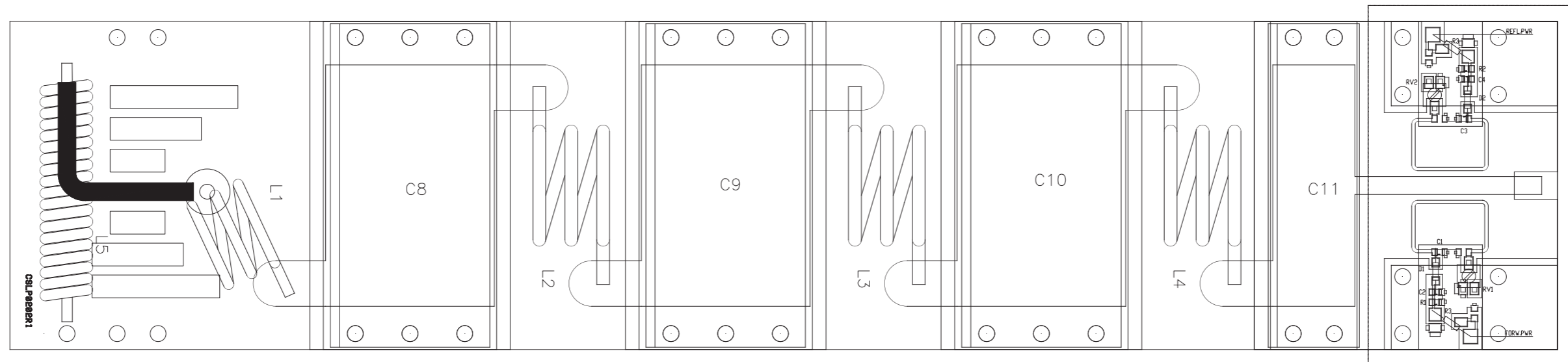


Description: Combiner TEX3500	
Designer: L. Gasperini, A. Franceschi	Size: A4
Part No.: SLCM0466R01V02	Page: 1 of 1
Rev. 1.0	Date: 08/10/2021

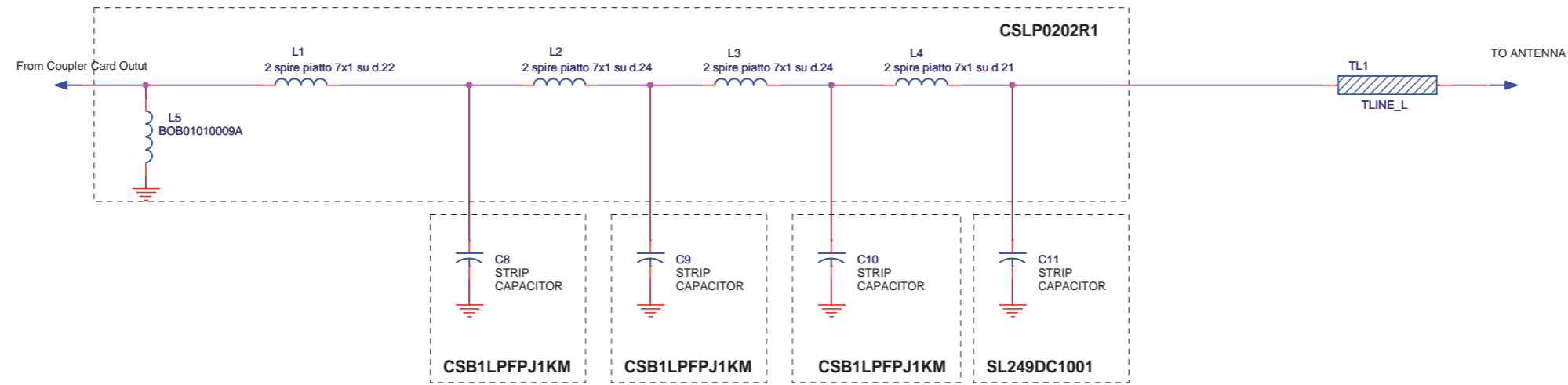
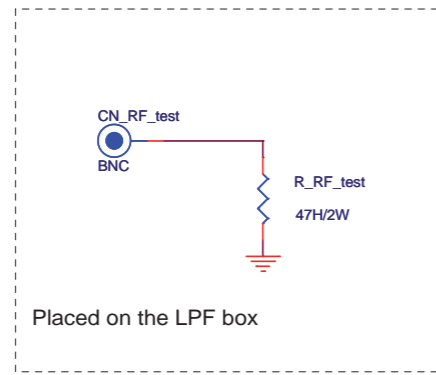
SLCM0466R01V02

Combiner TEX3500 Revised: 08/10/2021
 SLCM0466R01V02 Revision: 1.0
 L. Gasperini; A. Franceschi

Item	Quantity	Reference	Part
1	1	CS1	CSCM0466R1
2	1	C1	CSBLPFPJ1KM2
3	4	C2, C3, C4, C5	6,8pF
4	1	L1	BOB01020252A
5	1	L2	PMLMIHPF237A
6	1	L3	BOB01020042A
7	1	PAD1	PALLET1
8	1	PAD2	PALLET2
9	1	PAD3	PALLET3
10	1	PAD4	PALLET4
11	1	PAD5	FILTRO
12	2	R1, R2	100H_500W
13	2	R3, R4	50H_500W
14	1	R5	50H_500W
15	6	TL1, TL2, TL3, TL4, TL5, TL6	70,7H



PRODUCT NAME : TEX3500LCD	PART NAME : LOW PASS FILTER
DESIGNER : L. GASPERINI	DATE 27/10/16 REVIS. : 1.0 SCALE 1:1 SIZE A3 PAGE :1 DI 1
ARCHIVING : 'RVRUT' SERVER, 'RILASCIATI' FOLDER	PROJECT CODE : 249 DOCUMENT CODE : SL249LP1001

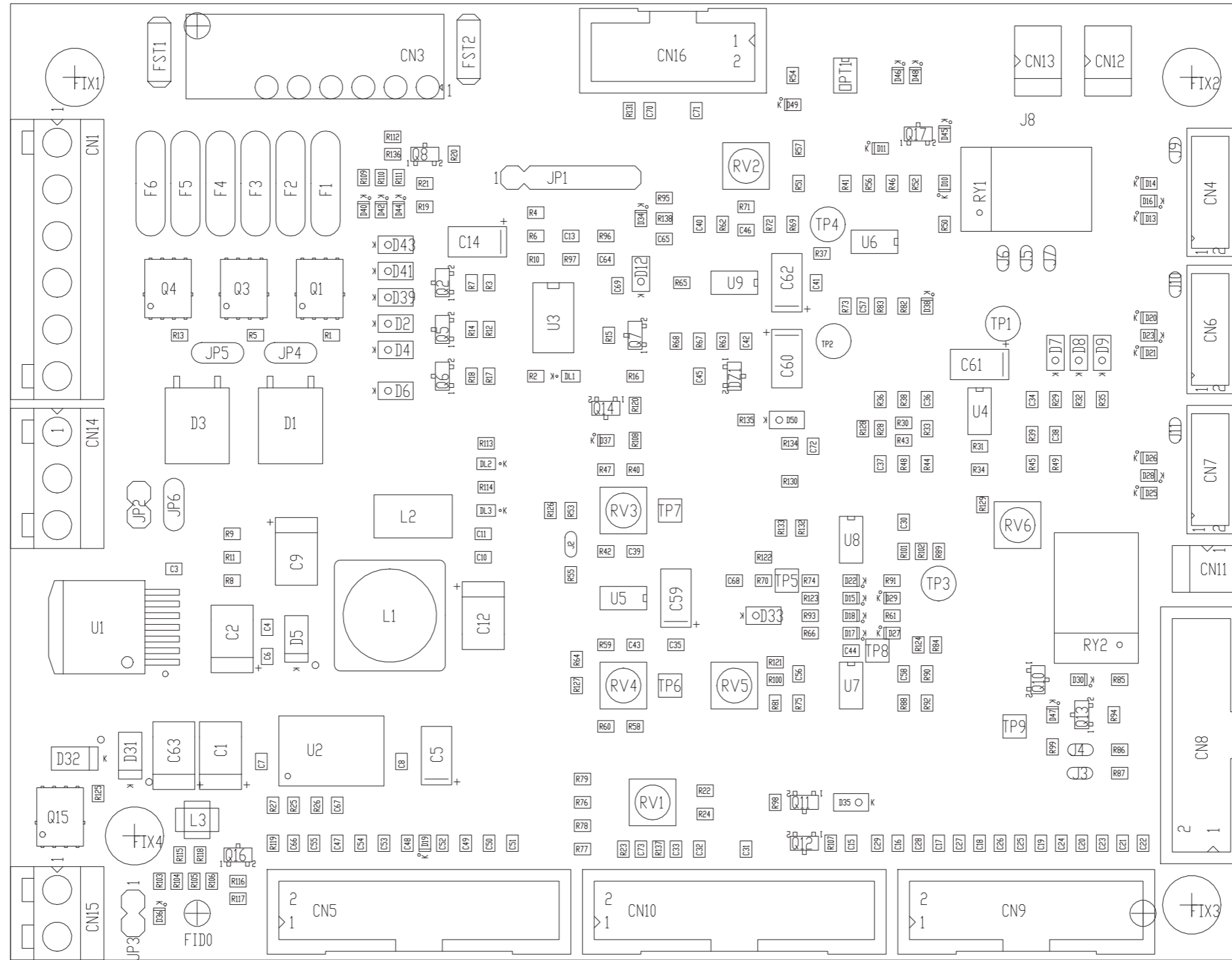


Description: Low Pass Filter TEX3500			
Designer: L. Gasperini	Size: A3	Page: 1 of 1	
Part No.: SL249LP1001	Rev.: 1.1	Date: 27-10-2016	

SL249LP1001

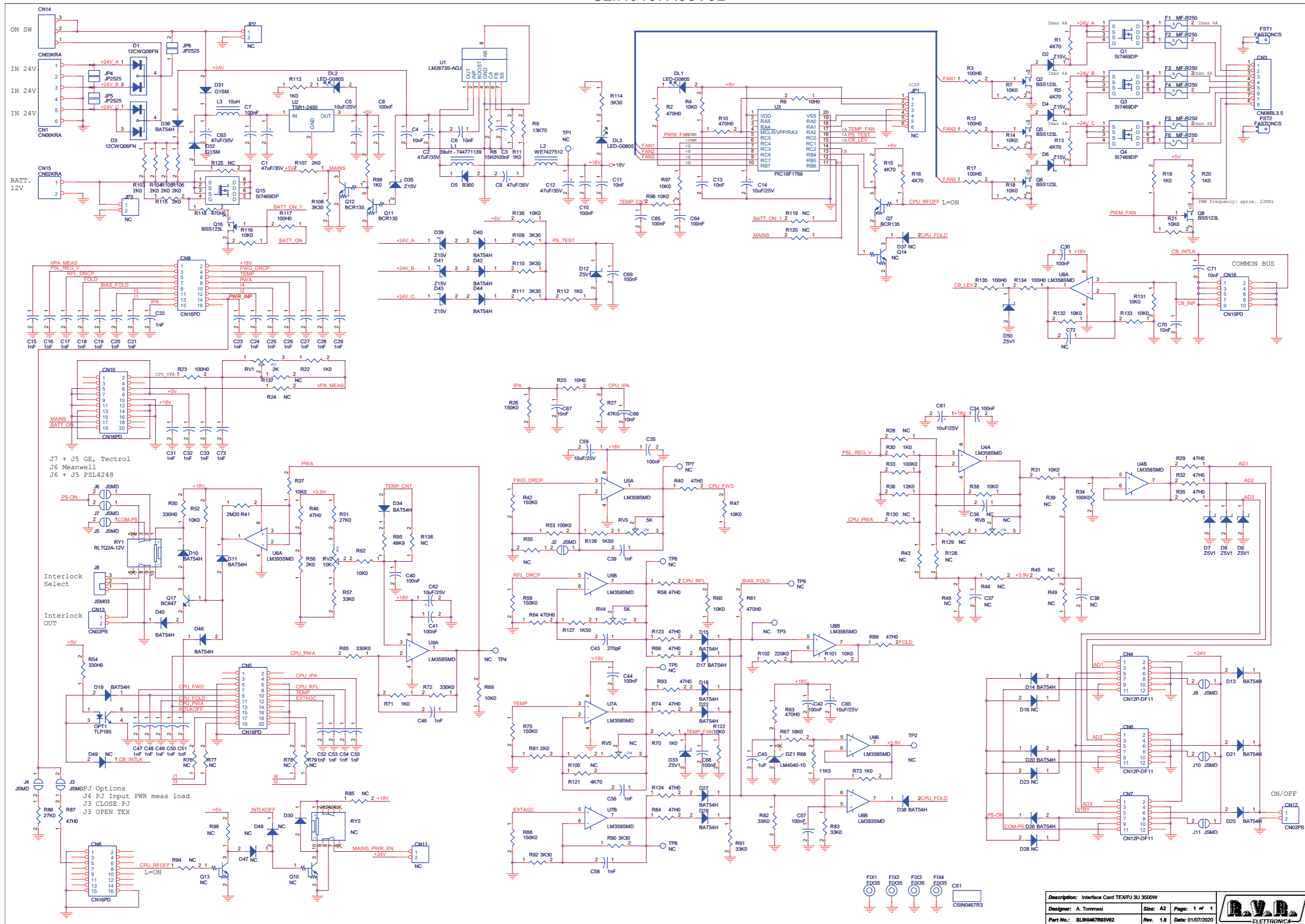
Low Pass Filter TEX3500 Revised: 27-10-2016
SL249LP1001 Revision: 1.1
L. Gasperini

Item	Quantity	Reference	Part
1	1	CS1	CSLP0202R1
2	1	L1	BOBINA
3	1	L2	BOBINA
4	1	L3	BOBINA
5	1	L4	BOBINA
6	1	L5	BOBINA
7	1	R_RF_test	RESISTENZA



	PRODUCT NAME : TEX/PJ 3U	PART NAME : Interface Card TEX/PJ 3U
	DESIGNER : FRANCESCHI A.	DATE 01/07/20 REVIS. : 1.0 SCALE 2:1 SIZE A3 PAGE :1 DI 1
ARCHIVING : 'RVRT' SERVER, 'RILASCIATI' FOLDER PROJECT CODE : <		DOCUMENT CODE : SLIN0467R03V**

SLIN0467R03V02



Description: Interface Card TEXPJ 3U 3500W		
Designer: A. Tommasi	Size: A2	Page: 1 of 1
Part No.: SLIN0467R03V02	Rev. 1.0	Date: 01/07/2020



SLIN0467R03V02

Interface Card TEX/PJ 3U 3500W Revised: 01/07/2020
 SLIN0467R03V02 Revision: 1.0
 A. Tommasi

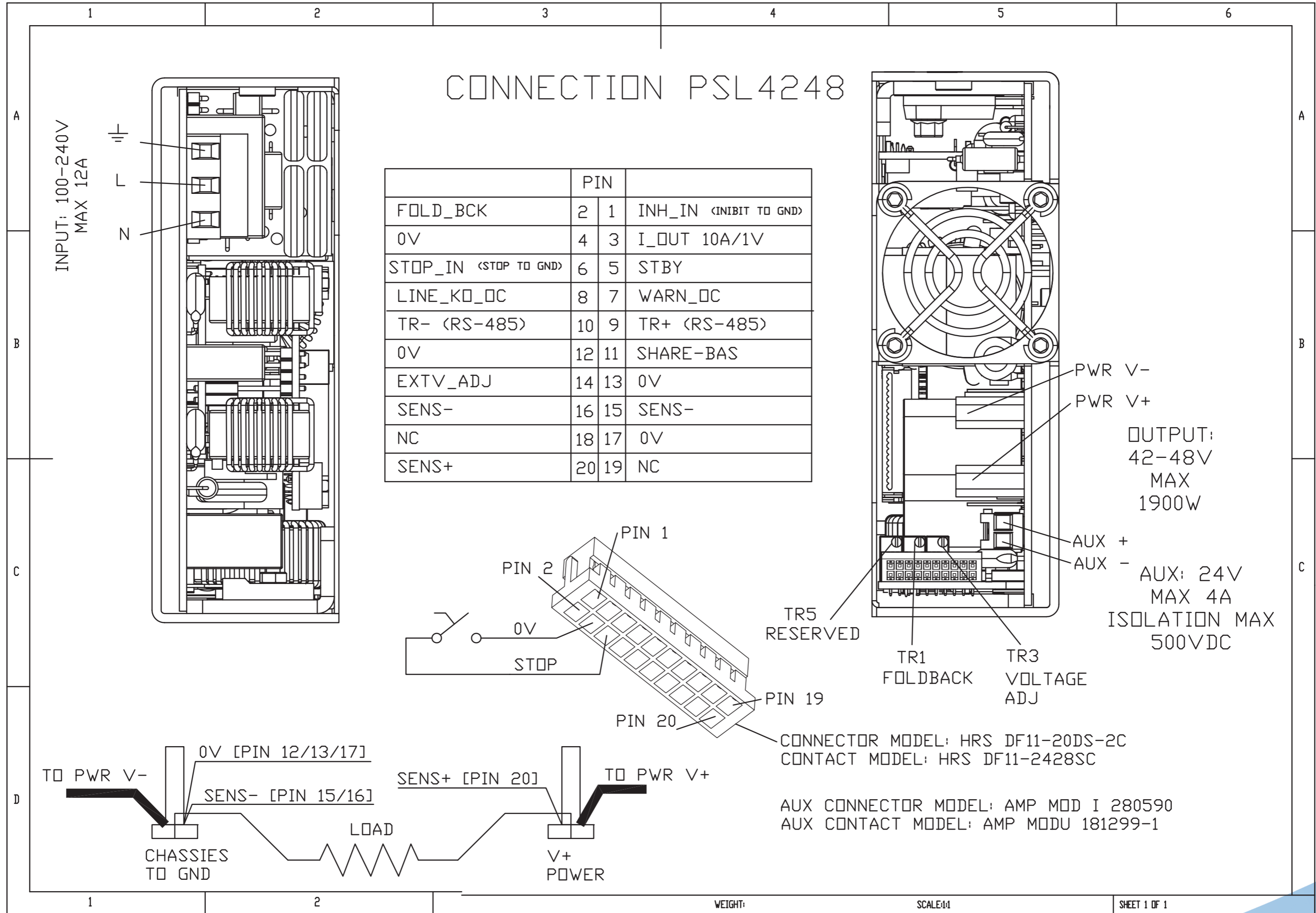
Item	Quantity	Reference	Part
1	1	CN1	CN06KRA
2	1	CN3	CN08BL3.5
3	3	CN4, CN6, CN7	CN12P-DF11
4	2	CN5, CN10	CN16PD
5	2	CN8, CN9	CN16PD
6	1	CN11	NC
7	2	CN12, CN13	CN02PS
8	1	CN14	CN03KRA
9	1	CN15	CN02KRA
10	1	CN16	CN10PD
11	1	CS1	CSIN0467R3
12	5	C1, C2, C9, C12, C63	47uF/35V
13	16	C3, C7, C8, C10, C30, C34, C35, C40, C41, C42, C44, C57, C64, C65, C68, C69	100nF
14	8	C4, C6, C11, C13, C66, C67, C70, C71	10nF
15	6	C5, C14, C59, C60, C61, C62	10uF/25V
16	32	C15, C16, C17, C18, C19, C20, C21, C22, C23, C24, C25, C26, C27, C28, C29, C31, C32, 1nF C33, C39, C46, C47, C48, C49, C50, C51, C52, C53, C54, C55, C56, C58, C73	1nF
17	4	C36, C37, C38, C72	NC
18	1	C43	270pF
19	1	C45	1uF
20	3	DL1, DL2, DL3	LED-G0805
21	1	DZ1	LM4040-10
22	2	D1, D3	12CWQ06FN
23	7	D2, D4, D6, D35, D39, D41, D43	Z15V
24	1	D5	B360
25	6	D7, D8, D9, D12, D33, D50	Z5V1
26	23	D10, D11, D13, D14, D15, D17, D18, D19, D20, D21, D22, D25, D26, D27, D29, D34, D36, D38, D40, D42, D44, D45, D46	BAT54H
27	8	D16, D23, D28, D30, D37, D47, D48, D49	NC
28	2	D31, D32	G1SM
29	4	FIX1, FIX2, FIX3, FIX4	FIX35
30	2	FST1, FST2	FASTONCS
31	6	F1, F2, F3, F4, F5, F6	MF-R250
32	1	JP1	NC
33	2	JP2, JP3	NC
34	3	JP4, JP5, JP6	JP2525
35	9	J2, J3, J4, J5, J6, J7, J9, J10, J11	J5MD
36	1	J8	J5M03
37	1	L1	39uH - 744771139
38	1	L2	WE7427512
39	1	L3	10uH
40	1	OPT1	TLP185
41	4	Q1, Q3, Q4, Q15	SI7469DP
42	5	Q2, Q5, Q6, Q8, Q16	BSS123L
43	3	Q7, Q11, Q12	BCR135
44	3	Q10, Q13, Q14	NC
45	1	Q17	BC847
46	1	RV1	2K
47	1	RV2	10K
48	2	RV3, RV4	5K
49	2	RV5, RV6	NC
50	1	RY1	RLTQ2A-12V
51	1	RY2	NC
52	6	R1, R5, R13, R15, R16, R121	4K70
53	6	R2, R10, R61, R63, R64, R118	470H0
54	7	R3, R12, R17, R23, R117, R134, R135	100H0
55	22	R4, R7, R14, R18, R21, R31, R37, R38, R47, R52, R60, R62, R69, R96, R97, R101, R116, 10K0 R122, R131, R132, R133, R136	10K0
56	2	R6, R25	10H0
57	1	R8	15K0
58	1	R9	13K70
59	11	R11, R19, R20, R22, R30, R70, R71, R73, R98, R112, R113	1K0
60	25	R24, R28, R39, R43, R44, R45, R48, R49, R55, R76, R77, R78, R79, R85, R94, R99, R100, R119, R120, R125, R128, R129, R130, R137, R138	NC
61	5	R26, R42, R59, R75, R88	150K0

Interface Card TEX/PJ 3U 3500W Revised: 01/07/2020
 SLIN0467R03V02 Revision: 1.0
 A. Tommasi

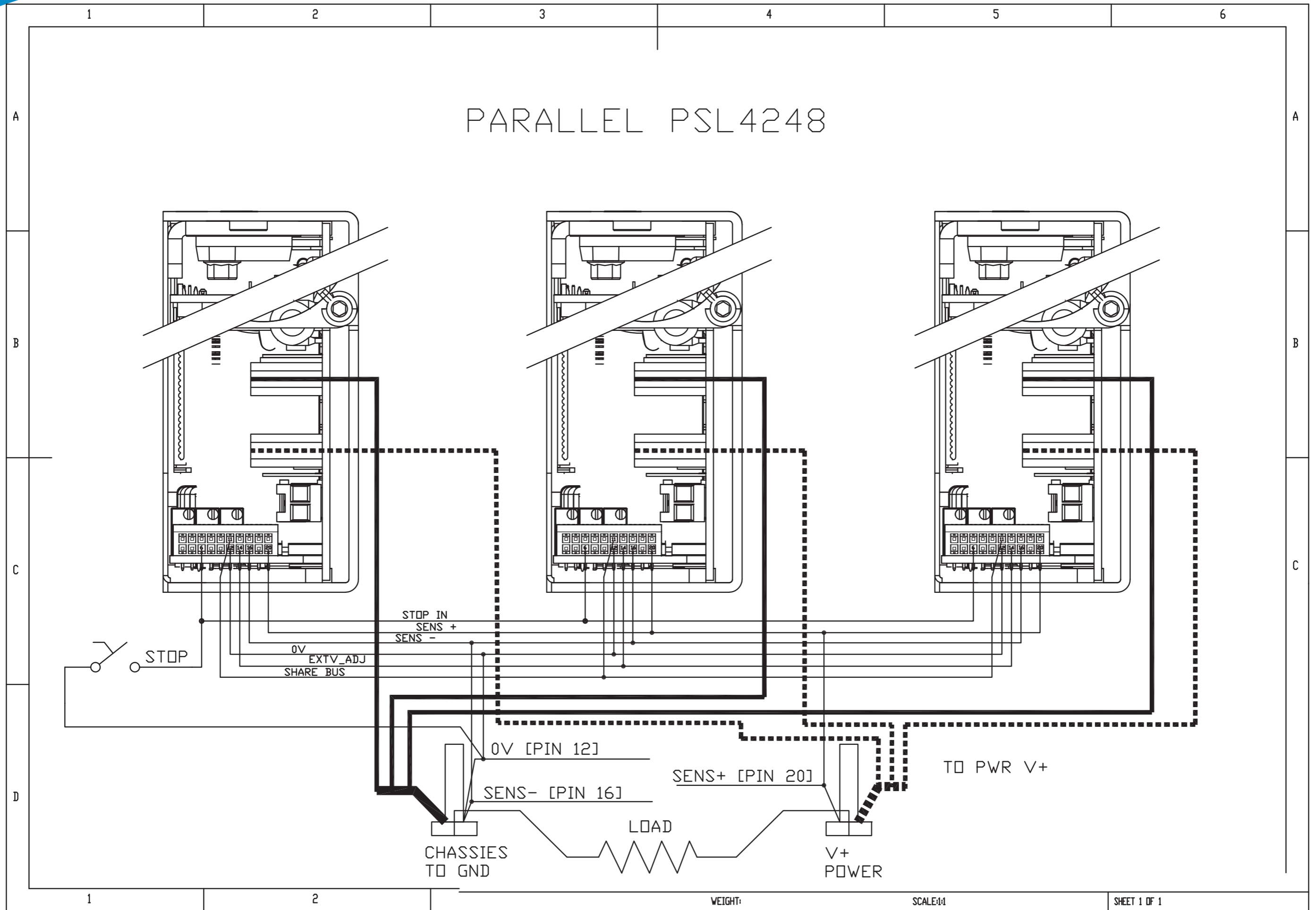
Item	Quantity	Reference	Part
1	1	CN1	CN06KRA
2	1	CN3	CN08BL3.5
3	3	CN4, CN6, CN7	CN12P-DF11
4	2	CN5, CN10	CN16PD
5	2	CN8, CN9	CN16PD
6	1	CN11	NC
7	2	CN12, CN13	CN02PS
8	1	CN14	CN03KRA
9	1	CN15	CN02KRA
10	1	CN16	CN10PD
11	1	CS1	CSIN0467R3
12	5	C1, C2, C9, C12, C63	47uF/35V
13	16	C3, C7, C8, C10, C30, C34, C35, C40, C41, C42, C44, C57, C64, C65, C68, C69	100nF
14	8	C4, C6, C11, C13, C66, C67, C70, C71	10nF
15	6	C5, C14, C59, C60, C61, C62	10uF/25V
16	32	C15, C16, C17, C18, C19, C20, C21, C22, C23, C24, C25, C26, C27, C28, C29, C31, C32, 1nF C33, C39, C46, C47, C48, C49, C50, C51, C52, C53, C54, C55, C56, C58, C73	1nF
17	4	C36, C37, C38, C72	NC
18	1	C43	270pF
19	1	C45	1uF
20	3	DL1, DL2, DL3	LED-G0805
21	1	DZ1	LM4040-10
22	2	D1, D3	12CWQ06FN
23	7	D2, D4, D6, D35, D39, D41, D43	Z15V
24	1	D5	B360
25	6	D7, D8, D9, D12, D33, D50	Z5V1
26	23	D10, D11, D13, D14, D15, D17, D18, D19, D20, D21, D22, D25, D26, D27, D29, D34, D36, D38, D40, D42, D44, D45, D46	BAT54H
27	8	D16, D23, D28, D30, D37, D47, D48, D49	NC
28	2	D31, D32	G1SM
29	4	FIX1, FIX2, FIX3, FIX4	FIX35
30	2	FST1, FST2	FASTONCS
31	6	F1, F2, F3, F4, F5, F6	MF-R250
32	1	JP1	NC
33	2	JP2, JP3	NC
34	3	JP4, JP5, JP6	JP2525
35	9	J2, J3, J4, J5, J6, J7, J9, J10, J11	J5MD
36	1	J8	J5M03
37	1	L1	39uH - 744771139
38	1	L2	WE7427512
39	1	L3	10uH
40	1	OPT1	TLP185
41	4	Q1, Q3, Q4, Q15	SI7469DP
42	5	Q2, Q5, Q6, Q8, Q16	BSS123L
43	3	Q7, Q11, Q12	BCR135
44	3	Q10, Q13, Q14	NC
45	1	Q17	BC847
46	1	RV1	2K
47	1	RV2	10K
48	2	RV3, RV4	5K
49	2	RV5, RV6	NC
50	1	RY1	RLTQ2A-12V
51	1	RY2	NC
52	6	R1, R5, R13, R15, R16, R121	4K70
53	6	R2, R10, R61, R63, R64, R118	470H0
54	7	R3, R12, R17, R23, R117, R134, R135	100H0
55	22	R4, R7, R14, R18, R21, R31, R37, R38, R47, R52, R60, R62, R69, R96, R97, R101, R116, 10K0 R122, R131, R132, R133, R136	10K0
56	2	R6, R25	10H0
57	1	R8	15K0
58	1	R9	13K70
59	11	R11, R19, R20, R22, R30, R70, R71, R73, R98, R112, R113	1K0
60	25	R24, R28, R39, R43, R44, R45, R48, R49, R55, R76, R77, R78, R79, R85, R94, R99, R100, R119, R120, R125, R128, R129, R130, R137, R138	NC
61	5	R26, R42, R59, R75, R88	150K0

PSL4248

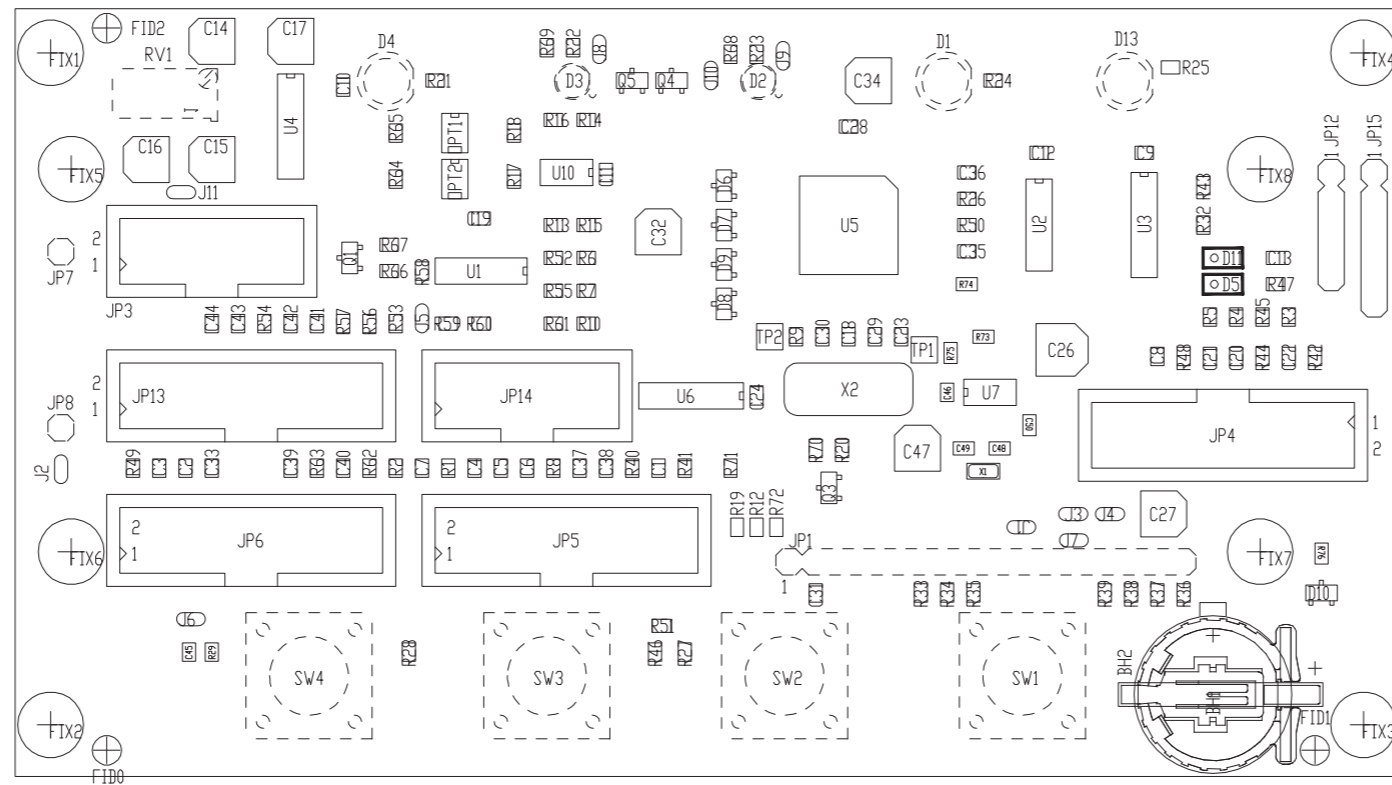
CONNECTION PSL4248



PSL4248

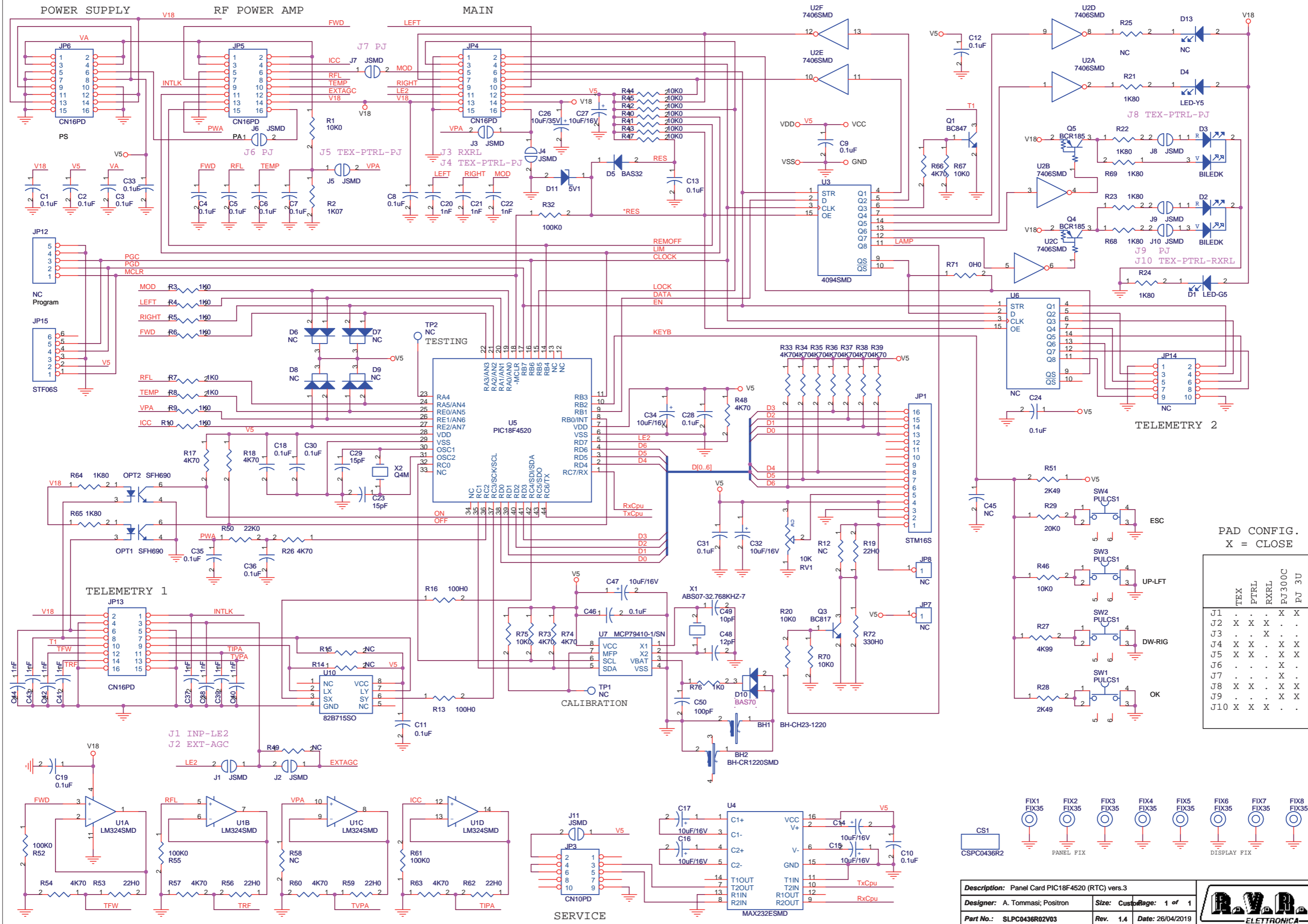


SLPC0436R02V03



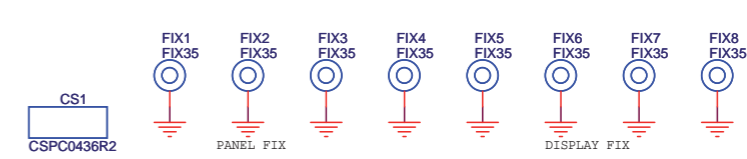
PRODUCT NAME : TEX-LCD; PJ-LCD; RADIO LINK	PART NAME : PANEL CARD PIC18F4520 (RTC)
DESIGNER : A. TOMMASI	DATE : 02/12/16
ARCHIVING : "RVUT" SERVER, "RILASCIATI" FOLDER	PROJECT CODE : <>
	REVISION : 1.0
	SCALE : 1:1
	SIZE : A4
	PAGE : 1
	DI : 1
	DOCUMENT CODE : SLPC0436R02V01

SLPC0436R02V03



PAD CONFIG.
X = CLOSE

	TEX	PTRL	RXRL	PJ300C	PJ 3U
J1	.	.	.	X	X
J2	X	X	X	.	.
J3	.	.	X	.	.
J4	X	X	.	X	X
J5	X	.	.	X	X
J6	.	.	.	X	.
J7	.	.	.	X	.
J8	X	X	.	X	X
J9	.	.	.	X	X
J10	X	X	X	.	.



Description: Panel Card PIC18F4520 (RTC) vers.3
Designer: A. Tommasi; Positron
Part No.: SLPC0436R02V03
Rev. 1.4
Date: 26/04/2019



SLPC0436R02V03

Panel Card PIC18F4520 (RTC) vers.3 Revised: 26/04/2019

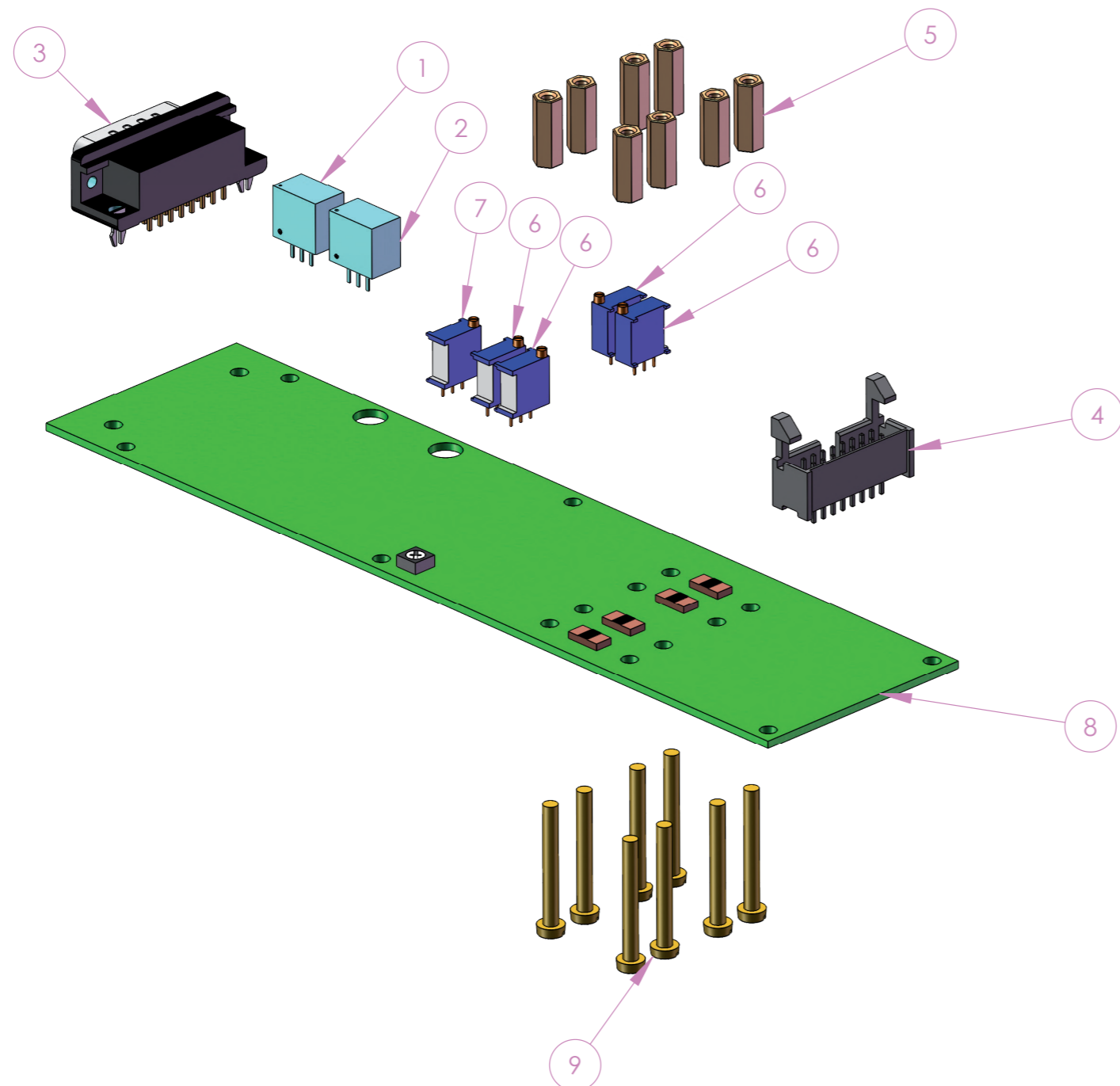
SLPC0436R02V03 Revision: 1.4

A. Tommasi; Positron

Item	Quantity	Reference	Part
1	1	BH1	BH-CH23-1220
2	1	BH2	BH-CR1220SMD
3	1	CS1	CSPC0436R2
4	23	C1,C2,C3,C4,C5,C6,C7,C8, C9,C10,C11,C12,C13,C18, C19,C24,C28,C30,C31,C33, C35,C36,C46	0.1uF
5	8	C14,C15,C16,C17,C27,C32, C34,C47	10uF/16V
6	11	C20,C21,C22,C37,C38,C39, C40,C41,C42,C43,C44	1nF
7	2	C23,C29	15pF
8	1	C26	10uF/35V
9	1	C45	NC
10	1	C48	12pF
11	1	C49	10pF
12	1	C50	100pF
13	1	D1	LED-G5
14	2	D2,D3	BILEDK
15	1	D4	LED-Y5
16	1	D5	BAS32
17	4	D6,D7,D8,D9	NC
18	1	D10	BAS70
19	1	D11	5V1
20	1	D13	NC
21	8	FIX1,FIX2,FIX3,FIX4,FIX5, FIX6,FIX7,FIX8	FIX35
22	1	JP1	STM16S
23	1	JP3	CN10PD
24	4	JP4,JP5,JP6,JP13	CN16PD
25	2	JP7,JP8	NC
26	1	JP12	NC
27	1	JP14	NC
28	1	JP15	STF06S
29	11	J1,J2,J3,J4,J5,J6,J7,J8, J9,J10,J11	JSMD
30	2	OPT1,OPT2	SFH690
31	1	Q1	BC847
32	1	Q3	BC817
33	2	Q4,Q5	BCR185
34	1	RV1	10K
35	13	R1,R20,R40,R41,R42,R43, R44,R45,R46,R47,R67,R70,	10K0

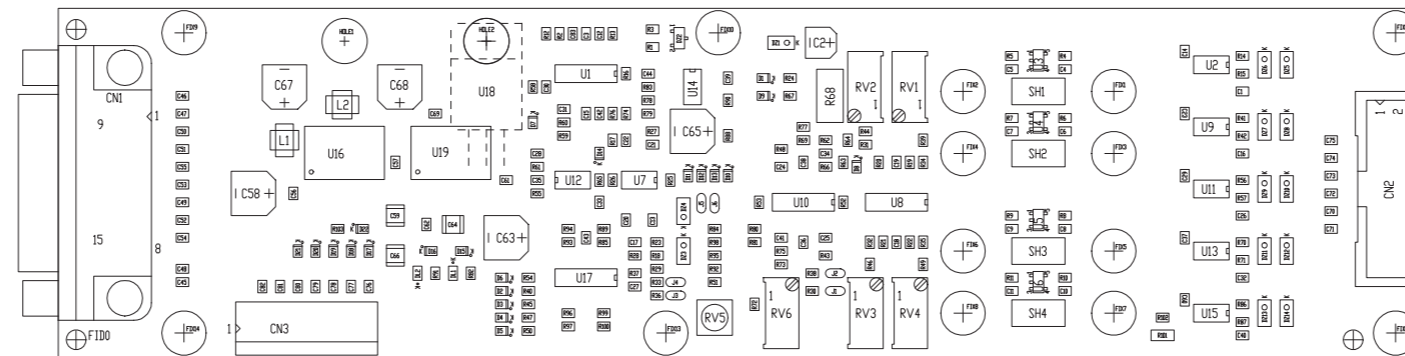
36	1	R2	1K07
37	9	R3,R4,R5,R6,R7,R8,R9,R10, R76	1K0
38	6	R12,R14,R15,R25,R49,R58	NC
39	2	R13,R16	100H0
40	18	R17,R18,R26,R33,R34,R35, R36,R37,R38,R39,R48,R54, R57,R60,R63,R66,R73,R74	4K70
41	5	R19,R53,R56,R59,R62	22H0
42	8	R21,R22,R23,R24,R64,R65, R68,R69	1K80
43	1	R27	4K99
44	2	R28,R51	2K49
45	1	R29	20K0
46	4	R32,R52,R55,R61	100K0
47	1	R50	22K0
48	1	R71	0H0
49	1	R72	330H0
50	4	SW1,SW2,SW3,SW4	PULCS1
51	2	TP1,TP2	NC
52	1	U1	LM324SMD
53	1	U2	7406SMD
54	1	U3	4094SMD
55	1	U4	MAX232ESMD
56	1	U5	PIC18F4520-I/PT
57	1	U6	NC
58	1	U7	MCP79410-1/SN
59	1	U10	82B715SO
60	1	X1	ABS07-32.768KHZ-7
61	1	X2	Q4M


NOTA 1	Alternativa NON SMD a BH2	
	Aggiungere batteria BATCR1220V3	RS 866-0653
NOTA 2	Aggiungere batteria BATCR1220V3	RS 866-0653



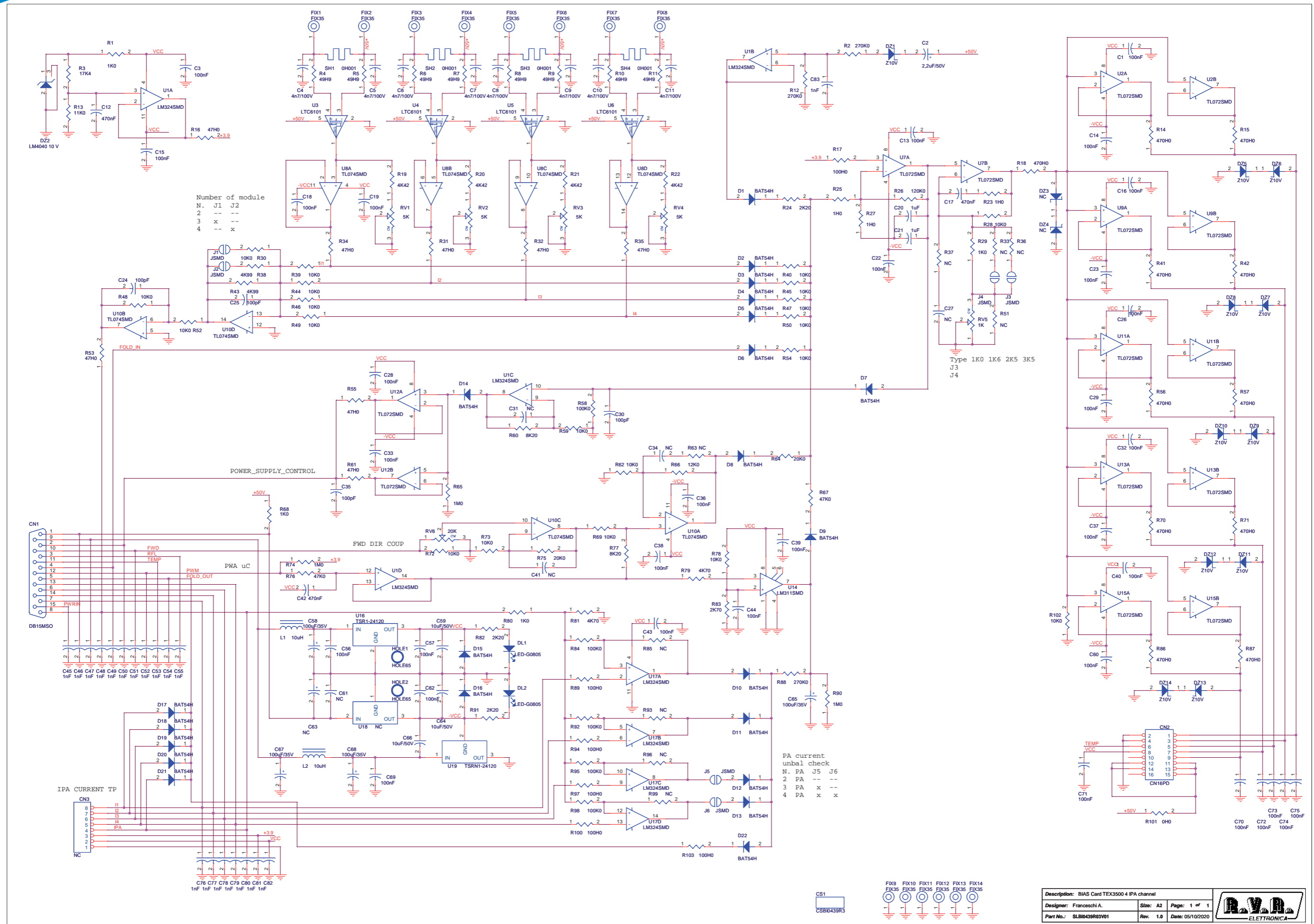
Nr	Codice	Descrizione	Qta.
1	CIL78SW120	TRACOPOWER"TSRN1-2415" 1,5V 1A DCDC	1
2	CIL78SWN120	Switching SIP3 regulator	1
3	CNTDB15MCSA	CONN. DB15 MASC. DA CS 90° H8,28MM	1
4	CNTMCS16A	CONN.M.C.S.DRITTO 16P ALETTE CORTE	1
5	DM3FF14A14B14O	Dist.Esc. F-F M3 H14 BN3320	8
6	RVT3296WK005	TRIM.MULTI.REG.VER. 5K	4
7	RVT3296WK020	TRIM.MULTI.REG.VER. 20K	1
8	SLBI0439R03V01s	SEM.SCH. BIAS TEX/PJ LCD 3500W 3Upcb	1
9	VOCTA03M025O	VITE OTTON TEST.CILINDRICA. 3MX25 TAGLIO BN532	8

	PROFILE:	DESCRIPTION: SEM.SCH. BIAS TEX/PJ 3500W 3U			
	MATERIAL:	CODE: SLBI0439R03V01	AUTHOR: UT2		
GENERAL TOLERANCE UNI ISO 2768-f	TREATMENT:	DATE: 02/07/2021	PROJECT N°: xxx	SCALE: 1:1	FORMAT: A3
					PAGE: 1/1



	PRODUCT NAME : TEX-LCD	PART NAME : BIAS CARD				
	DESIGNER : FRANCESCHI A.	DATE 05/10/20	REVIS. : 1.0	SCALE 1:1	SIZE A3	PAGE :1 DI 1
ARCHIVING : "RVRUT" SERVER, "RILASCIATI" FOLDER		PROJECT CODE : 249	DOCUMENT CODE : SLBI0439R03V**			

SLBI0439R03V01



Number of module

N.	J1	J2
2	--	--
3	x	--
4	--	x

J1	J2	R30	R38	R39	R43	R44	R46	R49
1	2	10K0	4K99	10K0	4K99	10K0	10K0	10K0
2	2	10K0	4K99	10K0	4K99	10K0	10K0	10K0
3	2	10K0	4K99	10K0	4K99	10K0	10K0	10K0
4	2	10K0	4K99	10K0	4K99	10K0	10K0	10K0

PA current unbal check

N.	PA	J5	J6
2	PA	--	--
3	PA	x	--
4	PA	x	x

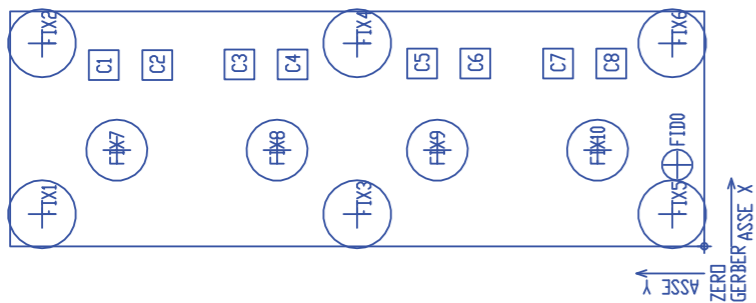
Description: BIAS Card TEX3500 4 IPA channel			
Designer: Franceschi A.	Size: A2	Page: 1 of 1	
Part No.: SLBI0439R03V01	Rev: 1.0	Date: 05/10/2020	

SLBI0439R03V01

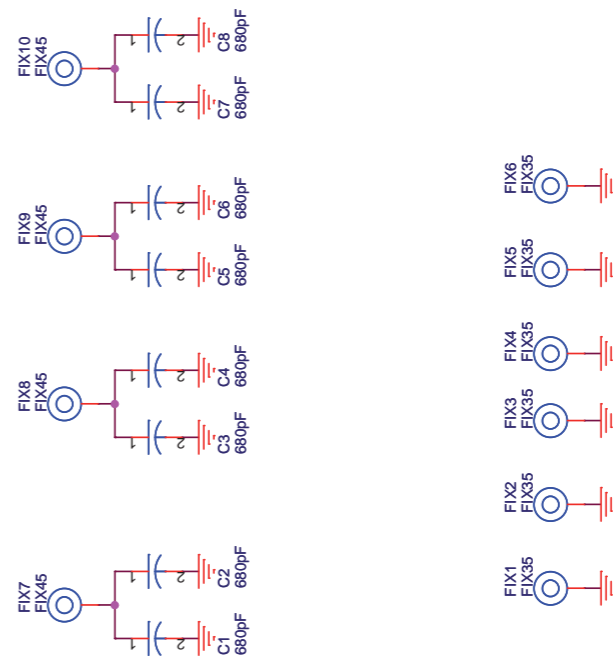
BIAS Card TEX3500 4 IPA channel Revised: Friday, October 5, 2020
 SLBI0439R03V01 Revision: 1.0
 Franceschi A.

Item	Quantity	Reference	Part
1	1	CN1	DB15MSO
2	1	CN2	CN16PD
3	1	CN3	NC
4	1	CS1	CSBI0439R3
5	33	C1, C3, C13, C14, C15, C16, C18, C19, C22, C23, C26, C28, C29, C32, C33, C36, C37, C38, C39, C40, C43, C44, C56, C57, C60, C62, C69, C70, C71, C72, C73, C74, C75	100nF
6	1	C2	2,2uF/50V
7	8	C4, C5, C6, C7, C8, C9, C10, C11	4n7/100V
8	3	C12, C17, C42	470nF
9	2	C20, C21	1uF
10	4	C24, C25, C30, C35	100pF
11	5	C27, C31, C34, C41, C61	NC
12	19	C45, C46, C47, C48, C49, C50, C51, C52, C53, C54, C55, C76, C77, C78, C79, C80, C81, C82, C83	1nF
13	4	C58, C65, C67, C68	100uF/35V
14	3	C59, C64, C66	10uF/50V
15	1	C63	NC
16	2	DL1, DL2	LED-G0805
17	11	DZ1, DZ5, DZ6, DZ7, DZ8, DZ9, DZ10, DZ11, DZ12, DZ13, DZ14	Z10V
18	1	DZ2	LM4040 10 V
19	2	DZ3, DZ4	NC
20	22	D1, D2, D3, D4, D5, D6, D7, D8, D9, D10, D11, D12, D13, D14, D15, D16, D17, D18, D19, D20, D21, D22	BAT54H
21	14	FIX1, FIX2, FIX3, FIX4, FIX5, FIX6, FIX7, FIX8, FIX9, FIX10, FIX11, FIX12, FIX13, FIX14	FIX35
22	2	HOLE1, HOLE2	HOLE65
23	4	J1, J2, J5, J6	JSMD
24	2	J3, J4	JSMD
25	2	L1, L2	10uH
26	4	RV1, RV2, RV3, RV4	5K
27	1	RV5	1K
28	1	RV6	20K
29	3	R1, R29, R80	1K0
30	3	R2, R12, R88	270K0
31	1	R3	17K4
32	8	R4, R5, R6, R7, R8, R9, R10, R11	49H9
33	1	R13	11K0
34	11	R14, R15, R18, R41, R42, R56, R57, R70, R71, R86, R87	470H0
35	8	R16, R31, R32, R34, R35, R53, R55, R61	47H0
36	6	R17, R89, R94, R97, R100, R103	100H0
37	4	R19, R20, R21, R22	4K42
38	3	R23, R25, R27	1H0
39	3	R24, R82, R91	2K20
40	1	R26	120K0
41	20	R28, R30, R39, R40, R44, R45, R46, R47, R48, R49, R50, R52, R54, R59, R62, R69, R72, R73, R78, R102	10K0
42	9	R33, R36, R37, R51, R63, R85, R93, R96, R99	NC
43	2	R38, R43	4K99
44	5	R58, R84, R92, R95, R98	100K0
45	2	R60, R77	8K20
46	2	R64, R75	20K0
47	3	R65, R74, R90	1M0
48	1	R66	12K0
49	2	R67, R76	47K0
50	1	R68	1K0
51	2	R79, R81	4K70
52	1	R83	2K70
53	1	R101	0H0
54	4	SH1, SH2, SH3, SH4	0H001
55	2	U1, U17	LM324SMD
56	7	U2, U7, U9, U11, U12, U13, U15	TL072SMD
57	4	U3, U4, U5, U6	LTC6101
58	2	U8, U10	TL074SMD
59	1	U14	LM311SMD
60	1	U16	TSR1-24120
61	1	U18	NC
62	1	U19	TSRN1-24120

SLFI0368R01V01



DATA RILASCIO:	12/6/12	DIS. S.POL. CTR. A2 LATO PIANO DI MONTAGGIO VISTA LATO COMPONENTI
REV:		
DIM.SCHEDA:	VEDI PROFILO	DENOMINAZIONE
TRATT:	STANDARD COSTRUTTORE	SCHEDA PASSAPARETE
MAT:	FR4-74 1.6mm Cu 35um	CODICE
VISTA POSITIVA		CSFI0368R1
		RVR ELETTRONICA S.P.A.
		SCALA 1:1



CS1
CSFI0368R1

Project Name: Amplificatore 10KW PlugIn		Page: 1 of 1	Size: A4
Designer: Tommasi A.	Date: 11/07/2012	Project Code: RVR243	
File Location: \\RVR\T\T\lasciat\l	Revision: 1.0	Description: Scheda passaparete	
Folder/File: /	Approvati:	Part No.: SLFI0368R01V01	

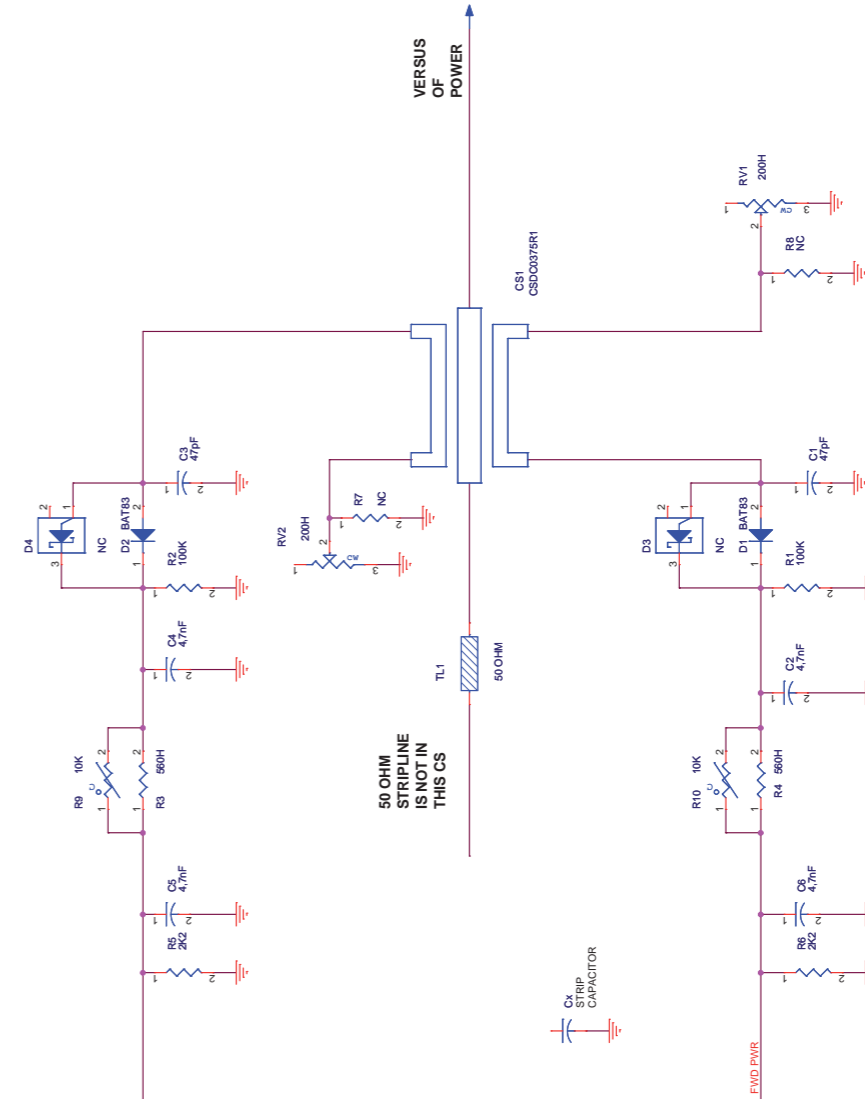
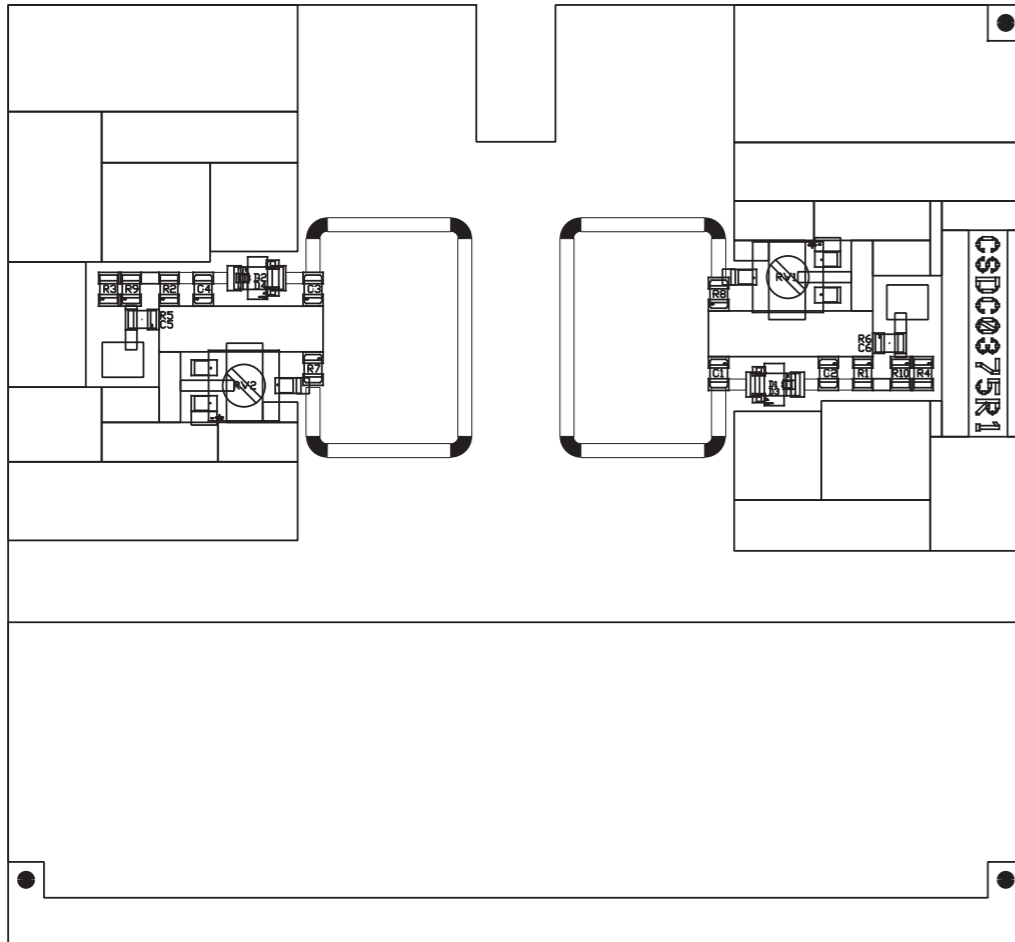
SLFI0368R01V01

Scheda passaparete Revised: Wednesday, July 11, 2012
 SLFI0368R01V01 Revision: 1.0

Amplificatore 10KW Plugin
 RVR243

Item	Quantity	Reference	Part
1	1	CS1	CSFI0368R1
2	8	C1,C2,C3,C4,C5,C6,C7,C8	680pF
3	6	FIX1,FIX2,FIX3,FIX4,FIX5, FIX6	FIX35
4	4	FIX7,FIX8,FIX9,FIX10	FIX45

SLDC0375R01V01



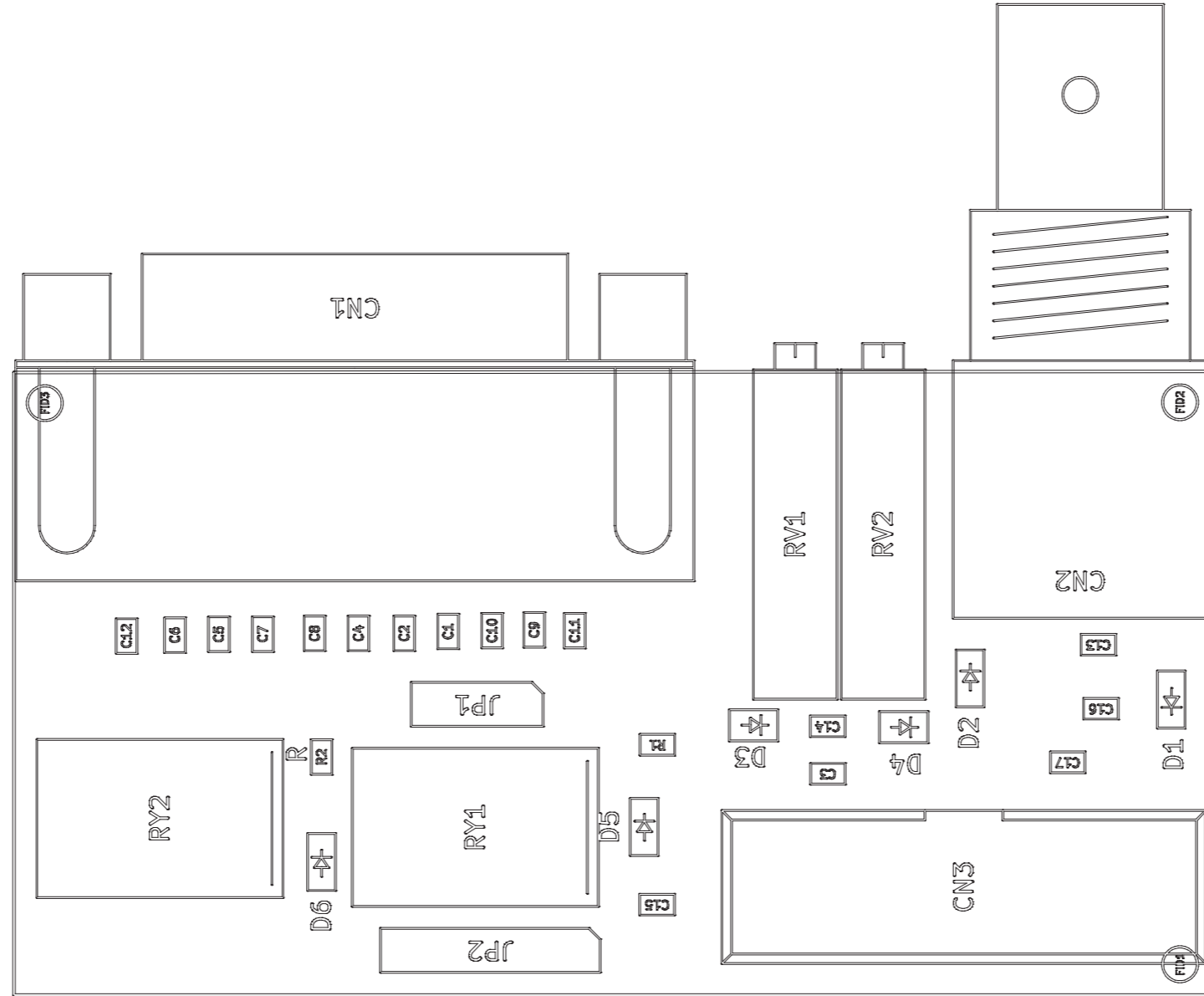
Description: Directional Coupler		Size: A3	Page: 1 of 1
Designer: Franceschi A.		Rev: 1.2	Date: 03/10/2019
Part No.: SLDC0375R01V01			

	PRODUCT NAME : TEX-LCD GREEN LINE	PART NAME : DIRECTIONAL COUPLER			
	DESIGNER : FRANCESCHI A.	DATE : 03/10/19	REVISION : 1.2	SCALE : 2:1	SIZE : A4
ARCHIVING : 'RVTRUT' SERVER, 'RILASCIATI' FOLDER	PROJECT CODE : <>	DOCUMENT CODE : SLDC0375R01V**			

SLDC0375R01V01

DIRECTIONAL COUPLER Revised: 03/10/2019
 SLDC0375R01V01 Revision: 1.2
 Franceschi A.

Item	Quantity	Reference	Part
1	1	CS1	CSDC0375R1
2	1	Cx	27pFTFL
3	2	C3, C1	47pF
4	4	C2, C4, C5, C6	4,7nF
5	2	D3, D4	NC
6	2	D1, D2	BAT83
7	2	RV2, RV1	200H
8	2	R1, R2	100K
9	2	R3, R4	560H
10	2	R5, R6	2K2
11	2	R9, R10	10K
12	2	R7, R8	NC
13	1	TL1	50 OHM



PRODUCT NAME : TEX-TFT

DESIGNER : FRANCESCHI A.

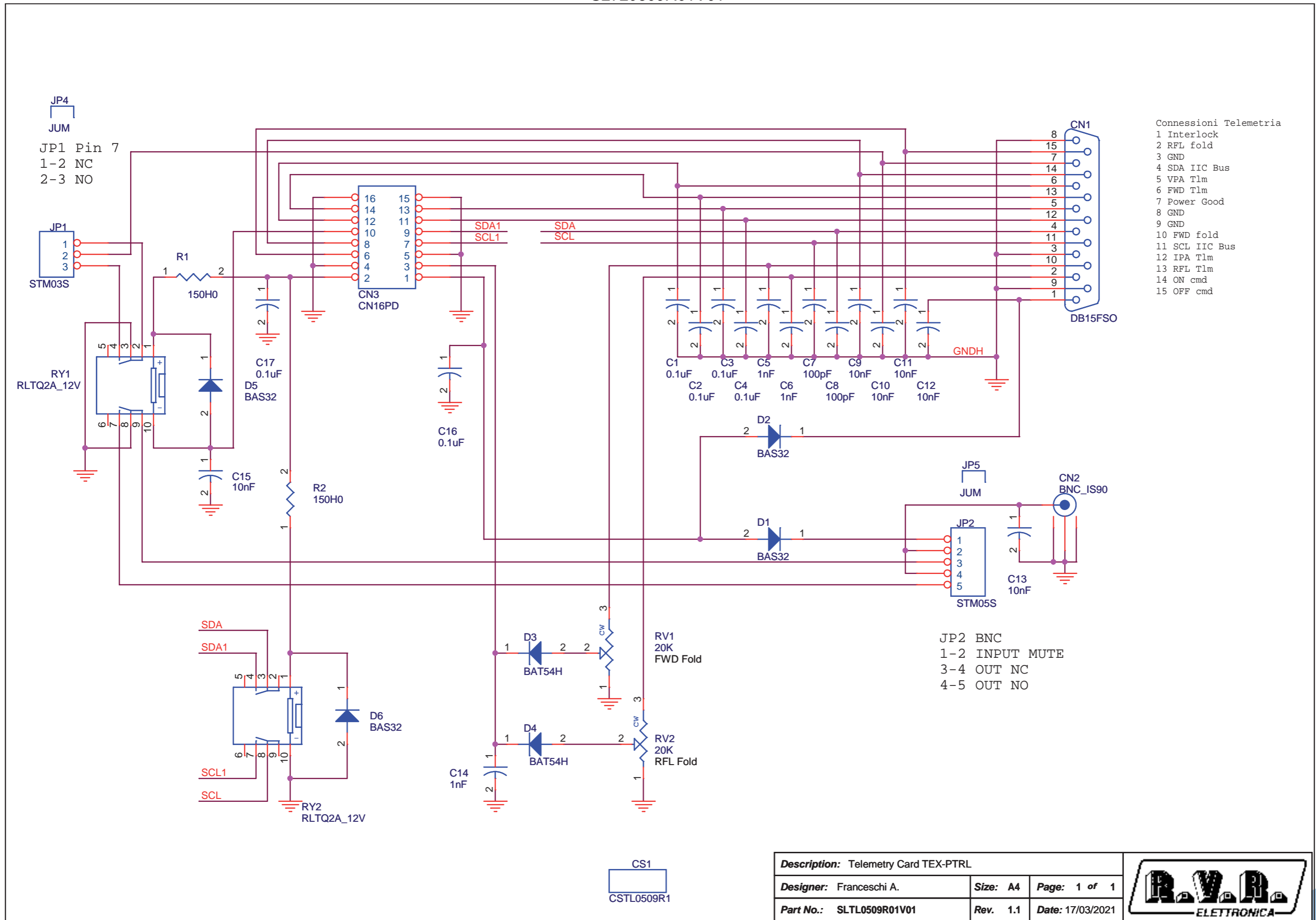
ARCHIVING : 'RVRUT' SERVER, 'RILASCIATI' FOLDER

PART NAME : TELEMETRY CARD

DATE : 22/06/20 REVISION : 1.0 SCALE : 2:1 SIZE : A4 PAGE : 1 DI 1

PROJECT CODE : <> DOCUMENT CODE : SLTL0509R01V**

SLTL0509R01V01



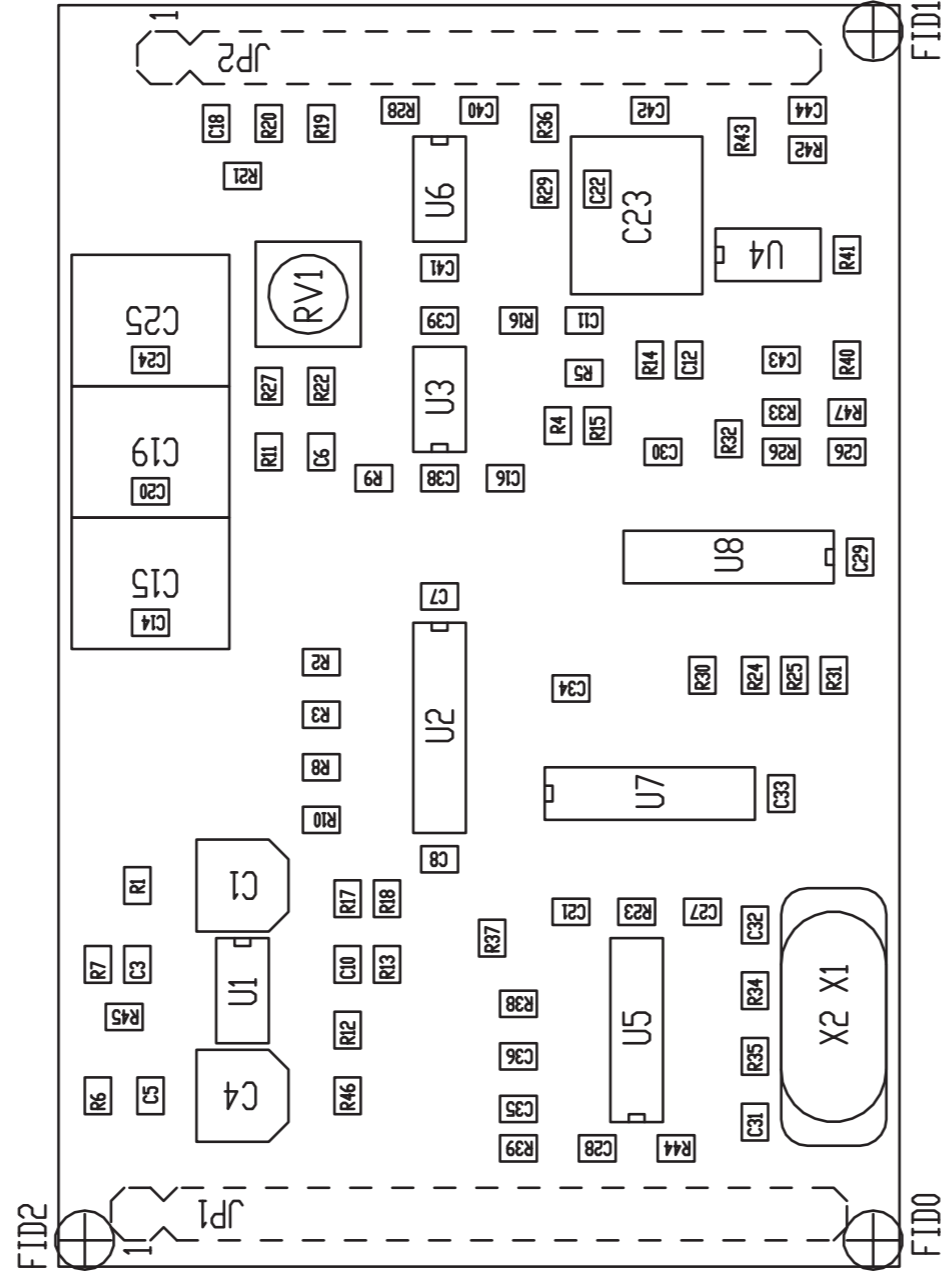
Description: Telemetry Card TEX-PTRL			
Designer: Franceschi A.	Size: A4	Page: 1 of 1	
Part No.: SLTL0509R01V01	Rev. 1.1	Date: 17/03/2021	

SLTL0509R01V01

Telemetry Card TEX-PTRL Revised: 17/03/2021
 SLTL0509R01V01 Revision: 1.1
 Franceschi A.

Item	Quantity	Reference	Part
1	1	CN1	DB15FSO
2	1	CN2	BNC_IS90
3	1	CN3	CN16PD
4	1	CS1	CSTL0509R1
5	6	C1, C2, C3, C4, C16, C17	0.1uF
6	3	C5, C6, C14	1nF
7	2	C7, C8	100pF
8	6	C9, C10, C11, C12, C13, C15	10nF
9	4	D1, D2, D5, D6	BAS32
10	2	D3, D4	BAT54H
11	1	JP1	STM03S
12	1	JP2	STM05S
13	2	JP4, JP5	JUM
14	2	RV1, RV2	20K
15	2	RY1, RY2	RLTQ2A_12V
16	2	R1, R2	150H0

SLCTC30V03



NOME PROGETTO: PTX-LCD

NOME PARTE: CODER CARD

AUTORE: A. TOMMASI

PAGINA: 1 DI 1

ARCHIVIAZIONE ELETTRONICA: \VRUTY

SCALA: 2:1

SIZE: A4

REVISIONE: 1.0

CODICE PROGETTO: 011

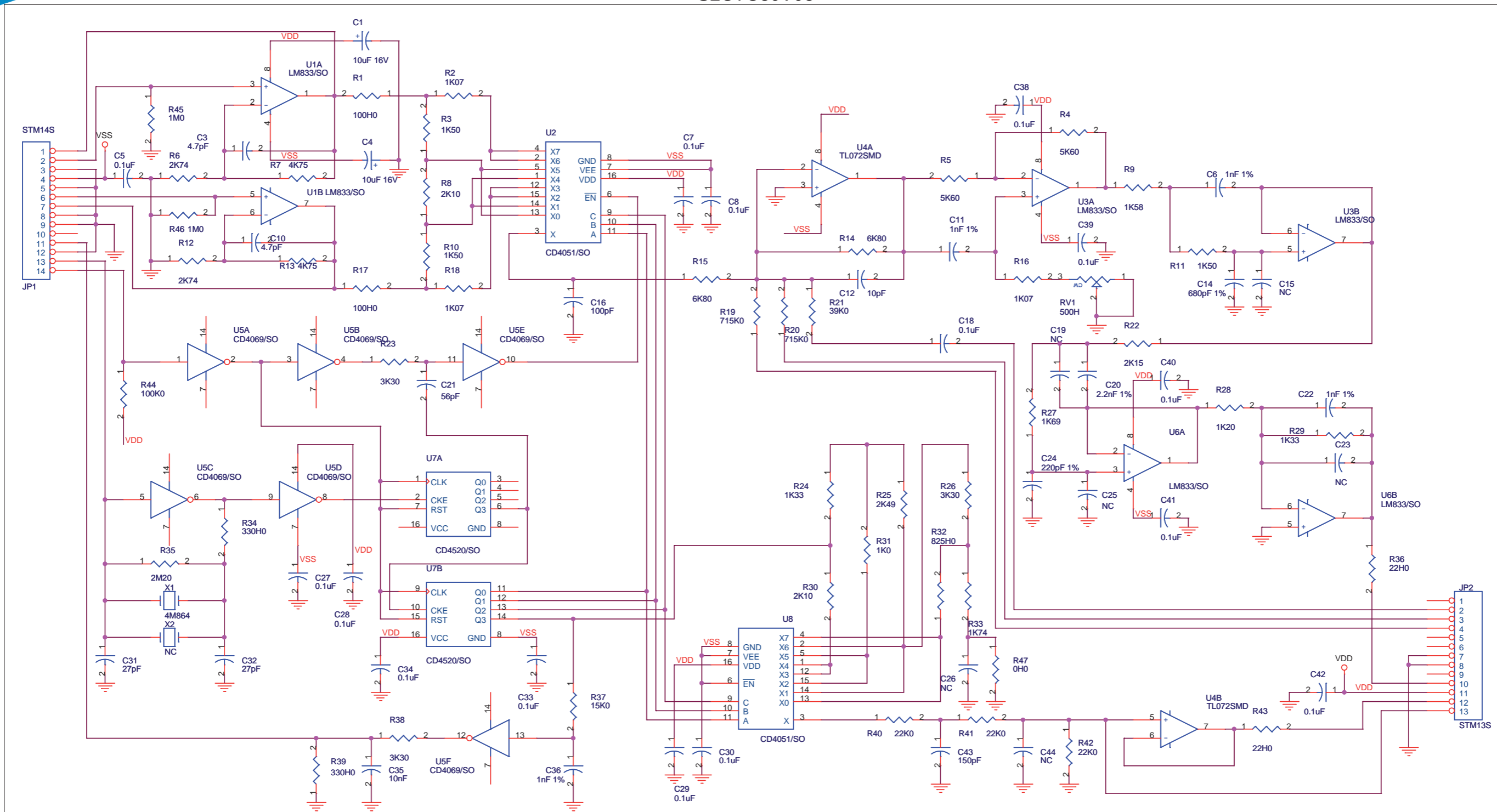
CODICE DISEGNO: SLCTC30V03

MATERIALE: TRATTAMENTO:

PROFILO:

STATO: ESECUTIVO

SLCTC30V03



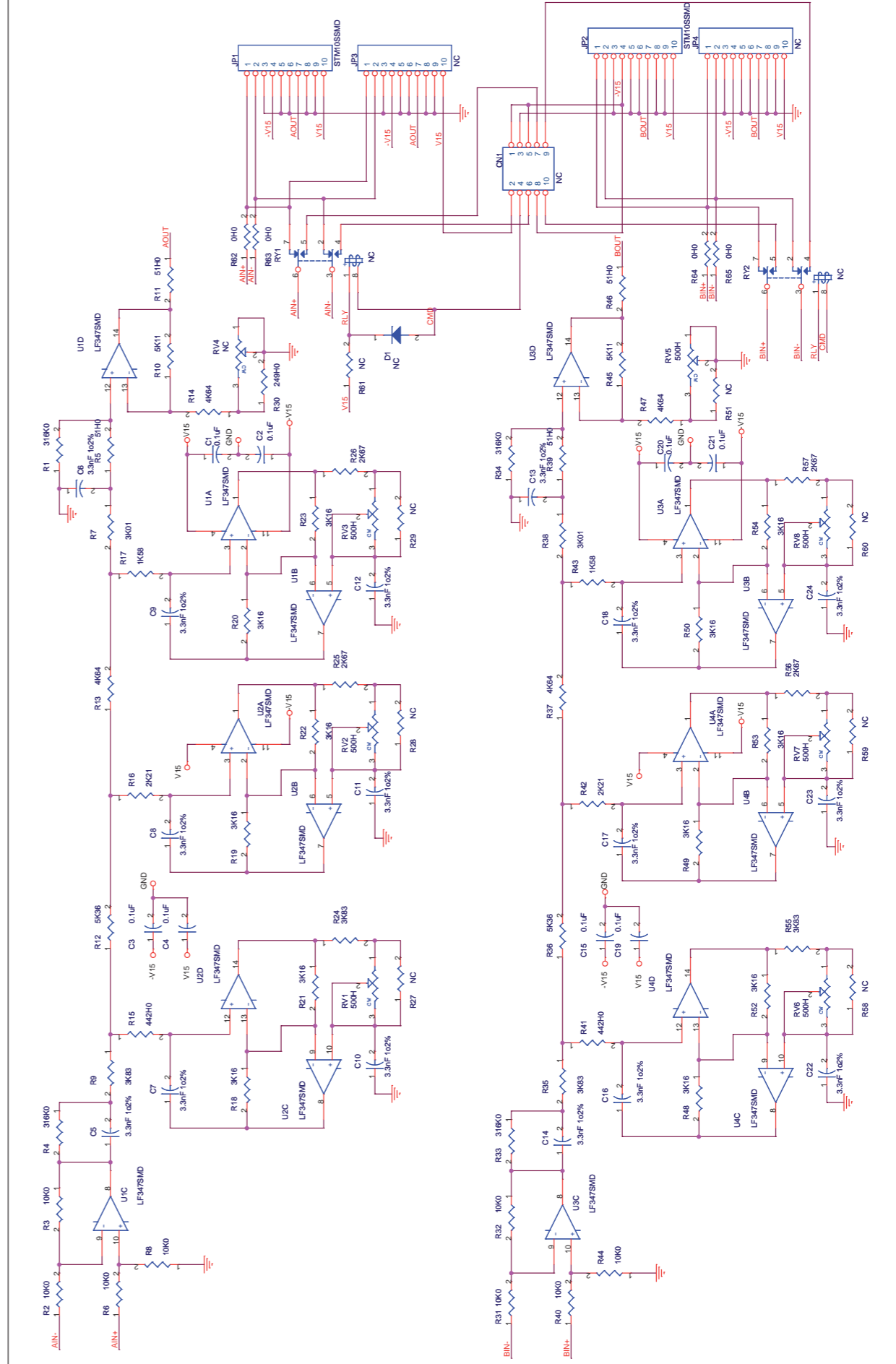
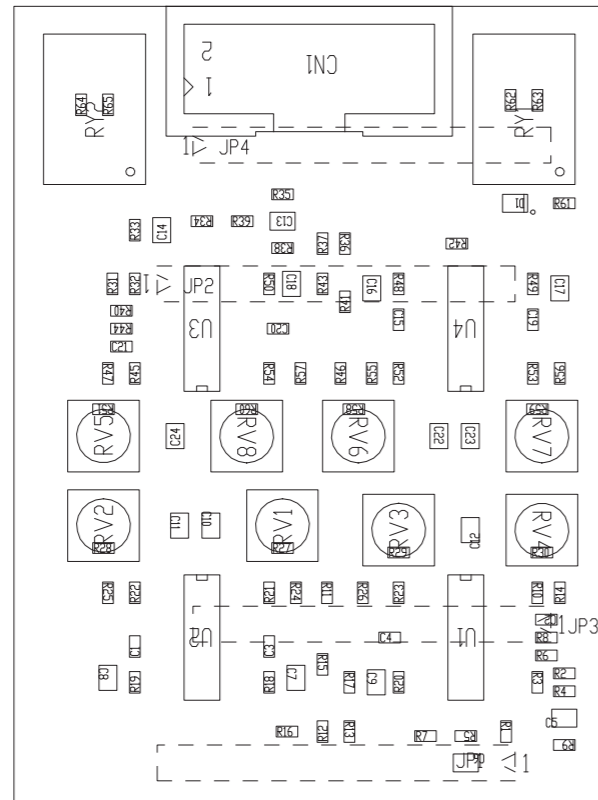
CS1
CSCTC30V03

Description: Coder Card			
Designer: A. Tommasi	Size: A3	Page: 1 of 1	
Part No.: SLCTC30V03	Rev. 1.2	Date: 26/01/2015	

SLCTC30V03

Coder Card Revised: 26/01/2015
 SLCTC30V03 Revision: 1.2
 A. Tommasi

Item	Q.ty	Reference	Part
1	1	CS1	CSCTC30V03
2	2	C1, C4	10uF 16V
3	2	C3, C10	4.7pF
4	15	C5, C7, C8, C18, C27, C28, C29, C30, C33, C34, C38, C39, C40, C41, C42	0.1uF
5	4	C6, C11, C22, C36	1nF 1%
6	1	C12	10pF
7	1	C14	680pF 1%
8	4	C15, C19, C23, C25	NC
9	1	C16	100pF
10	1	C20	2.2nF 1%
11	1	C21	56pF
12	1	C24	220pF 1%
13	1	C26	NC
14	2	C31, C32	27pF
15	1	C35	10nF
16	1	C43	150pF
17	1	C44	NC
18	1	JP1	STM14S
19	1	JP2	STM13S
20	1	RV1	500H
21	2	R1, R17	100H0
22	3	R2, R16, R18	1K07
23	3	R3, R10, R11	1K50
24	2	R4, R5	5K60
25	2	R6, R12	2K74
26	2	R7, R13	4K75
27	2	R8, R30	2K10
28	1	R9	1K58
29	2	R14, R15	6K80
30	2	R19, R20	715K0
31	1	R21	39K0
32	1	R22	2K15
33	3	R23, R26, R38	3K30
34	2	R24, R29	1K33
35	1	R25	2K49
36	1	R27	1K69
37	1	R28	1K20
38	1	R31	1K0
39	1	R32	825H0
40	1	R33	1K74
41	2	R34, R39	330H0
42	1	R35	2M20
43	2	R36, R43	22H0
44	1	R37	15K0
45	3	R40, R41, R42	22K0
46	1	R44	100K0
47	2	R45, R46	1M0
48	1	R47	0H0
49	3	U1, U3, U6	LM833/SO
50	2	U2, U8	CD4051/SO
51	1	U4	TL072SMD
52	1	U5	CD4069/SO
53	1	U7	CD4520/SO
54	1	X1	4M864
55	1	X2	NC



	PRODUCT NAME : TEX-LCD	PART NAME : AUDIO FILTER 15KHZ				
	DESIGNER : FRANCESCHI A.	DATE : 03/05/17	REVISION : 1.0	SCALE : 2:1	SIZE : A4	PAGE : 1 DI 1
ARCHIVING : 'RVRRUT' SERVER, 'RILASCIATI' FOLDER	PROJECT CODE : 057	DOCUMENT CODE : SLAU0469R01V**				

Description: Audio Filter 15kHz PTP-LCD, BLUES, TEX, whor, AES-EBU	
Designer: A. Tommasi	Size: A3
Part No.: SLAU0469R01V02	Rev.: 1.0
Date: 03/05/2017	Page: 1 of 1

CS1
CS2/URRRR1

SLAU0469R01V02

Audio Filter 15KHz PTX-LCD, BLUES, TEX w/out AES-EBU Revised: 02/05/2017
 SLAU0469R01V02 Revision: 1.0
 A. Tommasi

Item	Quantity	Reference	Part	Description
1	1	CN1	NC	Conn. 10 poli Flat cs con alette
2	1	CS1	CSAU0469R1	Circuito stampato
3	8	C1, C2, C3, C4, C15, C19, C20, C21	0.1uF	Cond. SMD 0603
4	16	C5, C6, C7, C8, C9, C10, C11, C12, C13, C14, C16, C17, C18, C22, C23, C24	3.3nF 1o2%	Cond. SMD 0805 COG
5	1	D1	NC	SOD323 SMD Diode
6	2	JP1, JP2	STM10SSMD	Male strip 10 pin SMD
7	2	JP3, JP4	NC	Male strip 10 pin SMD
8	7	RV1, RV2, RV3, RV5, RV6, RV7, RV8	500H	Trimmer SMD V 3314
9	1	RV4	NC	Trimmer SMD V 3314
10	2	RY1, RY2	NC	Rele' FTR-B3G
11	4	R1, R4, R33, R34	316K0	Res. SMD 0603
12	8	R2, R3, R6, R8, R31, R32, R40, R44	10K0	Res. SMD 0603
13	4	R5, R11, R39, R46	51H0	Res. SMD 0603
14	2	R7, R38	3K01	Res. SMD 0603
15	4	R9, R24, R35, R55	3K83	Res. SMD 0603
16	2	R10, R45	5K11	Res. SMD 0603
17	2	R12, R36	5K36	Res. SMD 0603
18	4	R13, R14, R37, R47	4K64	Res. SMD 0603
19	2	R15, R41	442H0	Res. SMD 0603
20	2	R16, R42	2K21	Res. SMD 0603
21	2	R17, R43	1K58	Res. SMD 0603
22	12	R18, R19, R20, R21, R22, R23, R48, R49, R50, R52, R53, R54	3K16	Res. SMD 0603
23	4	R25, R26, R56, R57	2K67	Res. SMD 0603
24	8	R27, R28, R29, R51, R58, R59, R60, R61	NC	Res. SMD 0603
25	1	R30	249H0	Res. SMD 0603
26	4	R62, R63, R64, R65	0H0	Res. SMD 0603
27	4	U1, U2, U3, U4	LF347SMD	Quad Op. SMD SO14