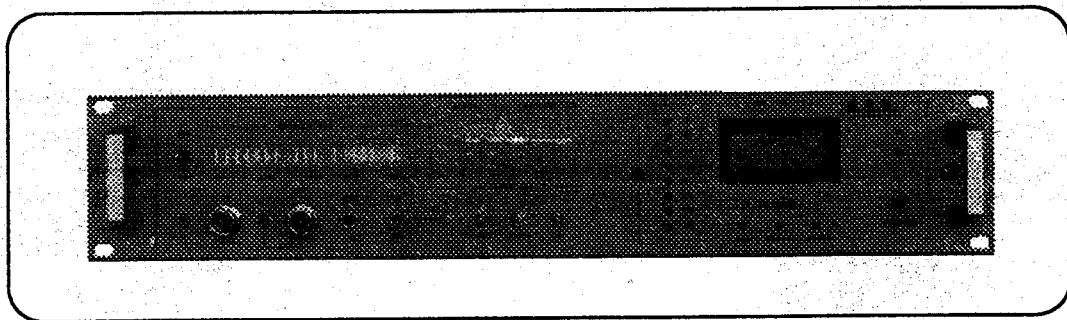

PTRL-NV/2 PTRL-NV/2/HP



TECHNICAL AND MAINTENANCE MANUAL
MANUALE TECNICO E DI MANUTENZIONE



Manufactured by R.V.R. Elettronica - Italy

PTRL-NV/2 & PTRL-NV/2/HP

Studio Transmitter Link 1400-2600 MHz

Technical and Maintenance Manual

Manuale Tecnico e di Manutenzione

English

Pag. 3

Italiano

Pag. 51



Notification of intended purpose and limitations of product use

This product is a FM transmitter intended for FM audio broadcasting. It utilises operating frequencies not harmonised in the intended countries of use.

The user must obtain a license before using the product in intended country of use. Ensure respective country licensing requirements are complied with.

Limitations of use can apply in respect of operating frequency, transmitter power and/or channel spacing.

Declaration of Conformity

Hereby, R.V.R. Elettronica SpA, declares that this FM transmitter is in compliance with the essential requirements and other relevant provisions of Directive 1999/5/EC.



This page intentionally left blank

INDEX

Preliminary Instructions and Warranty Information	Pag. 5
Safety Regulations	Pag. 7

SECTION 1

General Description	Pag. 10
Electrical Specifications (Table A)	Pag. 12
Dimensional & Environmental Specifications (Table B)	Pag. 14

SECTION 2

Electrical Description	Pag. 15
Front Panel Description	Pag. 18
Front Panel View (Fig.1)	Pag. 20
Rear Panel Description	Pag. 21
Rear Panel View (Fig.2)	Pag. 22
Top View Description of PTRL-NV/2 1W	Pag. 23
Top View of PTRL-NV/2 1W (Fig.3A)	Pag. 24
Top View Description of PTRL-NV/2 2W	Pag. 25
Top View of PTRL-NV/2 2W (Fig.3B)	Pag. 26
Top View Description of PTRL-NV/2/HP	Pag. 27
Top View of PTRL-NV/2/HP (Fig.3C)	Pag. 28
Block Diagram of PTRL-NV/2 1W (Fig.4A)	Pag. 29
Block Diagram of PTRL-NV/2 2W (Fig.4B)	Pag. 30
Block Diagram of PTRL-NV/2/HP (Fig.4C)	Pag. 31

SECTION 3

Installation Procedures	Pag. 32
Recommended Test Equipment (Table C)	Pag. 35

SECTION 4

Maintenance	Pag. 36
-------------	---------

SECTION 5

Internal Adjustments	Pag. 40
----------------------	---------

SECTION 6

Alignment of the Radio Link	Pag. 45
-----------------------------	---------

APPENDIX A

Circuit Diagrams, Layouts and Bill of Material	Pag. 102
Card Connections of PTRL-NV/2 1W	Pag. 103
Card Connections of PTRL-NV/2 2W	Pag. 104
Card Connections of PTRL-NV/2/HP	Pag. 105
Main Card	Pag. 106
V.C.O.	Pag. 114
Power Supply	Pag. 119
1W R.F. Power Amplifier	Pag. 130
2W R.F. Power Amplifier	Pag. 135
5W R.F. Power Amplifier	Pag. 139
CON-PA Card	Pag. 144
1W R.F. Power Amplifier's Low Pass Filter	Pag. 148
Doubler	Pag. 152
Modmeter Card	Pag. 156
Anameter Card	Pag. 161
C.P.U.	Pag. 169
Inverter Card (Optional)	Pag. 178
U.S.A. Audio Input Card (Optional)	Pag. 182

PRELIMINARY INSTRUCTIONS AND WARRANTY INFORMATION

Please observe safety precautions when handling this unit. This equipment contains dangerous currents and high voltages.

This manual is written as a general guide for those having previous knowledge and experience with this kind of equipment. It is not intended to contain a complete statement of all safety warnings which should be observed by personnel in using this or other electronic equipment.

R.V.R. doesn't assume responsibility for injury or damage resulting from improper procedures or practices by untrained/unqualified personnel in the handling of this unit.

Please observe all local codes and fire protection standards in the operations of this unit.

CAUTION: always disconnect power before opening covers or removing any part of this unit. Use appropriate grounding procedures to short out capacitors and high voltage points before servicing.

Any damage to the goods must be reported to the carrier in writing on the shipment receipt.

Any discrepancy or damage discovered subsequent to delivery, shall be reported to R.V.R. within five (5) days from its receipt.

R.V.R. extends to the original end-user purchaser all original manufacturers warranties which are transferable and all claims are to be made directly to R.V.R. per indicated procedures.

All manufacturers warranties will be supported by R.V.R. to ensure precise and speedy service where possible.

R.V.R. shall not be liable for any damage of whatsoever nature, arising out of or in connection with the product or its use thereof.

R.V.R.'s warranty shall not include:

- 1) Re-shipment of the unit to R.V.R. for repair purposes
- 2) Any unauthorized repair/modification
- 3) Incidental/consequential damages as a result of any defect
- 4) Nominal non-incidentual defects
- 5) Re-shipment costs or insurance of the unit or replacement units/parts

Warranty shall come into force from invoice date and for the period of the manufactures warranty.

To claim your rights under this warranty:

- a. Contact the dealer or distributor where you purchased the unit. Describe the problem and ask if he has an easy solution. Dealers and Distributors are supplied with all the information about problems that may occur and usually they can repair the unit quicker than what the manufacturer could do. Very often installing errors are discovered by dealers.

- b. If your dealer cannot help you, contact R.V.R. in Bologna and explain the problem. If it is decided to return the unit to the factory, R.V.R. will mail you a regular authorization with all the necessary instructions to send back the goods.

- c. When you receive the authorization, you can return the unit. Pack it carefully for the shipment, preferably using the original packing and seal the package perfectly. The customer always assumes the risks of loss (i.e., R.V.R. is never responsible for damage or loss), until the package reaches R.V.R. premises. For this reason, we suggest you to insure the goods for the whole value. Shipment must be effected C.I.F. (PREPAID) to the address specified by R.V.R.'s service manager on the authorization.

DO NOT RETURN UNITS WITHOUT OUR AUTHORIZATION AS THEY WILL BE REFUSED.

Be sure to enclose a written technical report where mention all the problems found and a copy of your original invoice establishing the starting date of the warranty.

Replacement and warranty parts may be order from the following address. Be sure to include the equipment model and serial number as well as part description and part number.

R.V.R. Elettronica S.r.l.

- Broadcasting Equipment -

Via del Fonditore, 2/2c

40138 Bologna - Italy

R.V.R. reserves the right to modify the design and specifications of the equipment in this manual without previous notice.

WARNING!

The currents and voltages in this equipment are dangerous!
Personnel must at all times observe safety regulation!

This manual is intended as a general guide for trained and qualified personnel who are aware of the dangers inherent in handling potentially hazardous electrical and electronic circuits.

It is not intended to contain a complete statement of all safety precautions which should be observed by personnel in using this or other electronic equipment.

The installation, operation, maintenance and service of this equipment involves risks both to personnel and equipment, and must be performed only by qualified personnel exercising due care.

R.V.R. ELETTRONICA S.r.l. shall not be responsible for injury or damage resulting from improper procedures or from the use of improperly trained or inexperienced personnel performing such tasks.

During installation and operation of this equipment, local building codes and fire protection standards must be observed.

WARNING!

Always disconnect power before opening covers, doors, enclosures, gates, panels or shields.
Always use grounding sticks and short out high voltage points before servicing. Never make internal adjustments, perform maintenance or service when alone or when fatigued.

Do not remove, short-circuit or tamper with interlock switches on access covers, doors, enclosures, gates, panels or shields.

Keep away from live circuits, know your equipment and don't take chances.

WARNING!

In case of emergency ensure that power has been disconnected

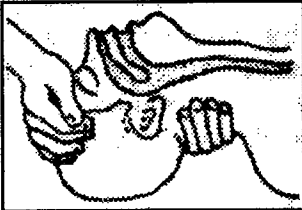
Treatment of electrical Shock

1) If victim is not responsive follow the A-B-C's of basic life support.

PLACE VICTIM FLAT ON HIS BACK ON A HARD SURFACE

A AIRWAY

IF UNCONSCIOUS,
OPEN AIRWAY



LIFT UP NECK,
PUSH FOREHEAD BACK,
CLEAR OUT MOUTH IF NECESSARY,
OBSERVE FOR BREATHING

B BREATHING

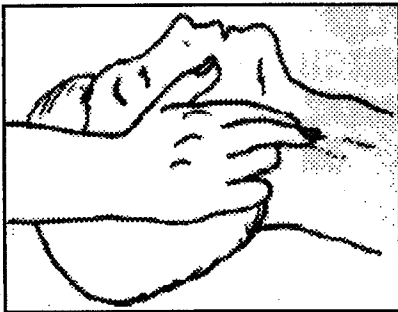
IF NOT BREATHING,
BEGIN ARTIFICIAL
BREATHING.



TILT HEAD,
PINCH NOSTRILS,
MAKE AIRTIGHT SEAL,
4 QUICK FULL BREATHS.
REMEMBER MOUTH TO MOUTH
RESUSCITATION MUST BE
COMMENCED AS SOON AS
POSSIBLE.

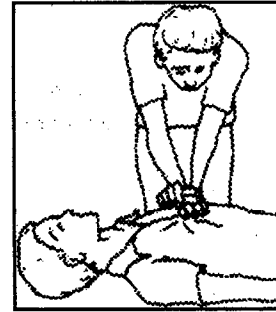
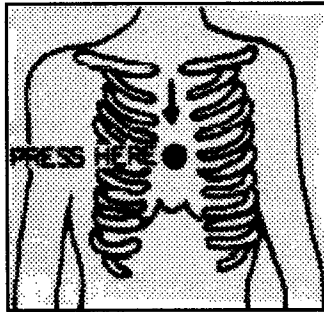
C CIRCULATION

CHECK CAROTID PULSE



IF PULSE ABSENT,
BEGIN ARTIFICIAL
CIRCULATION

DEPRESS STERNUM 1 1/2" TO 2"



APPROX. 80 SEC. : ONE RESCUER, 15 COMPRESSIONS,
2 QUICK BREATHS.

APPROX. 60 SEC. : TWO RESCUERS, 5 COMPRESSIONS,
1 BREATH

NOTE: DO NOT INTERRUPT RHYTHM OF COMPRESSIONS
WHEN SECOND PERSON IS GIVING BREATH.

Call for medical assistance as soon as possible.

2) If victim is responsive:

- a. Keep them warm.
- b. Keep them as quiet as possible.
- c. Loosen their clothing (a reclining position is recommended).

FIRST-AID

Personnel engaged in the installation, operation, maintenance or servicing of this equipment are urged to become familiar with first-aid theory and practices. The following information is not intended to be a complete first-aid procedure, it is brief and is only to be used as a reference. It is the duty of all personnel using the equipment to be prepared to give adequate Emergency First Aid and thereby prevent avoidable loss of life.

Treatment of electrical Burns

- 1) Extensive burned and broken skin.
 - a. Cover area with clean sheet or cloth.
(Cleansed available cloth article).
 - b. Do not break blisters, remove tissue, remove adhered particles of clothing, or apply any salve or ointment.
 - c. Treat victim for shock as required.
 - d. Arrange transportation to a hospital as quickly as possible
 - e. If arms or legs are affected keep them elevated.

NOTE

If medical help will not be available within an hour and the victim is conscious and not vomiting, give him a weak solution of salt and soda: 1 level teaspoonful of salt and 1/2 level teaspoonful of baking soda to each quart of water (neither hot or cold).

Allow victim to sip slowly about 4 ounces (half a glass) over a period of 15 minutes.

Discontinue fluid if vomiting occurs (Do not give alcohol).

- 2) Less severe burns - (1st & 2nd degree)
 - a. Apply cool (not ice cold) compresses using the cleansed available cloth article.
 - b. Do not break blisters, remove tissue, remove adhered particles of clothing, or apply salve or ointment.
 - c. Apply clean dry dressing if necessary.
 - d. Treat victim for shock as required.
 - e. Arrange transportation to a hospital as quickly as possible.
 - f. If arms or legs are affected keep them elevated.

SECTION 1

GENERAL DESCRIPTION

1.1 MECHANICAL DESCRIPTION

The PTRL-NV/2 (and PTRL-NV/2/HP) is housed in a 2U, 19" rack-mounting chassis comprising a number of interconnected modules mounted internally on the base of the unit. This allows easy removal and replacement of each module. The power output control, audio input level control and meters for various operating parameters are situated on the front panel. Mains power and R.F. Output connectors are mounted on the rear panel.

1.2 ELECTRICAL DESCRIPTION

The PTRL-NV/2 (and PTRL-NV/2/HP) is a high quality, broadband, FM transmitter with a standard output power of 1W or 2W (5W for the PTRL-NV/2/HP). The transmitter is microprocessor-controlled and synthesized with steps of 100KHz in the 1400-2600MHz band.

The operating frequency is governed by a thermally compensated reference oscillator working within a phase locked loop (PLL).

The transmitter will attain frequency lock within a maximum of 30 seconds. The operating range is subdivided in 50MHz bands.

The final stage is fully protected against any level of VSWR. Furthermore, a 15KHz low-pass filter is provided which may be inserted in the MONO or MPX input.

1.3 METERS AND INDICATORS

The transmitter's operating parameters can be measured with the analog multimeters (15 Fig.1) and the led bar-graph display (19 Fig.1) situated on the front panel. The measurement being made by analog multimeter is indicated by a led indicator (11 Fig.1) and selectable via the corresponding control (10 Fig.1). Peak deviation can be measured with the bar-graph display with a resolution of 6.66KHz. The five-figure display (20 Fig.1), mounted centrally, indicates the operating frequency selected by the UP (9 Fig.1) and DOWN (7 Fig.1) controls and saveable with the ENTER (8 Fig.1) control.

Three alarm condition leds provide indication of VCO unlocked (14 Fig.1), excess standing waves on the output (12 Fig.1) and intervention by a remote computer (13 Fig.1).

1.4 REMOTE CONTROL (OPTIONAL)

In this equipment a serial port (9 pin D-type) is fitted allowing remote control of operating frequency and output power.

1.5 SPECIFICATIONS

Please refer to Table A for the electrical specifications and Table B for mechanical specifications.

TABLE A

ELECTRICAL SPECIFICATIONS

A.C. Power	117 or 230V $\pm 10\%$ 50-60Hz, single phase 47W
Cooling	Forced Ventilation
Operating Frequency	from 1400 to 2600MHz in 50MHz bands
Output Power	1W for PTRL-NV/2 1W version 2W for PTRL-NV/2 2W version 5W for PTRL-NV/2/HP version
Output Impedance	50 Ohm
R.F. Output Connector	N-type standard Connector
Harmonic suppression	better than 55dB complying with FCC and CCIR regs
Pre-emphasis	75 microseconds for FCC 50 microseconds for CCIR
Audio Input Impedance, Mono	600 ohm unbalanced
Audio Input Level	-10dB nominal for $\pm 100\text{KHz}$ at 400Hz
Audio Frequency Response	$\pm 0.5\text{dB}$ from 30Hz to 15KHz
FM S/N Ratio, Mono	better than -67dB, $\pm 100\text{KHz}$ deviation at 400Hz measured in the 30Hz to 20KHz band
Total Harmonic Distortion, Mono	< 0.1%
MPX Input Impedance	10KOhm, 1 unbalanced BNC
Total Harmonic Distortion, MPX	< 0.3%
MPX S/N Ratio, FM Stereo	better than -67dB, $\pm 100\text{KHz}$ deviation at 400Hz

MPX Amplitude Response $\pm 0.5\text{dB}$ from 30Hz to 100KHz

Stereo Separation greater than 40dB

Optional Inputs for 0dBm audio level:

SCA Input Impedance 10KOhm, 3 unbalanced BNC

SCA Input Level 0dBm nominal for $\pm 10\text{KHz}$ deviation

SCA Amplitude Response $\pm 0.5\text{dB}$ from 40KHz to 100KHz

TABLE B

DIMENSIONAL AND ENVIRONMENTAL SPECIFICATIONS

Chassis Dimensions	82 mm (3.22") H 326 mm (12.83") D 445 mm (17.51") W
Panel Dimensions	483 mm (19") W 88 mm (3.47") H
Ambient Operating Temperature	from -10° to +50°
Humidity	95% maximum, non-condensing
Weight	20 Lbs (9 Kg)

SECTION 2

ELECTRICAL DESCRIPTION

2.1 INTRODUCTION

This section describes, in detail, the operating theory of PTRL-NV/2 and PTRL-NV/2/HP.

To aid understanding, the unit has been subdivided into blocks, each of which is fully described below.

A block diagram is shown in Fig.4A for the version at 1W, Fig.4B for the version at 2W and Fig.4C for the version 5W.

2.2 POWER SUPPLY

This sub-assembly (8 Fig.3A-3B-3C) comprises 2 boards mounted on heat-sinks, in turn mounted at right-angles to each other on the chassis base. The power supply generates the stabilized voltages required by the various modules comprising the PTRL-VN/2 (and PTRL-NV/2/HP).

After having undergone filtering for mains-borne interference, the supply is transformed to lower voltages, rectified, smoothed and stabilized for the following outputs: +5V, +12V, +15V, -15V and 2V to 18V variable. The +5V output supplied the CPU card, the ±15V outputs supply the Main card, the CPU card, the Modmeter card and the Anameter cards 1 and 2; the variable 2-18V output supplies the final power stage of the transmitter.

An automatic output power limiting system intervenes in the case of excess S.W.R. on the R.F. Output.

All supply voltages and the current drawn by final stage may be monitored by the analog multimeter.

2.3 MAIN CARD

The Main card (12 Fig.3A-3B-3C) is situated on the lower left side of the units.

This card contains a voltage-controlled oscillator (14 Fig.3A-3B-3C), housed in a metal box, which generates a frequency equal to half that of the operating frequency of the transmitter which has been programmed. The output signal of the VCO is amplified prior to use by the final stage and the phase-locked loop (PLL).

The audio signal, coming from the two MONO and STEREO connectors on the front panel, is amplified and injected into the VCO. On the PLL circuit frequency, generated by a 4MHz quartz crystal which is thermally-compensated by a PTC.

The error voltage is filtered and feed-back to guarantee the stability of the VCO frequency.

An indicator on the front panel lights when the circuit is not locked. The signal is then frequency-doubled to 2GHz.

2.4 1W-2W R.F. POWER AMPLIFIER

This R.F. Power amplifier is composed of two circuits: the first stage amplifies until 1W and the second stage until 2W (only for version until 2W). The two power stage are mounted into boxes a totally enclosed metal screening box which, in turn, are mounted to the base of the chassis in a central position (4 Fig.3A-3B).

The R.F. signal coming from the frequency doubler, passes through the first driver stage and is amplified by the second final stage to a level of 2W (only for version until 2W).

The signal then passes through an internal low pass filter to remove any harmonic components and through an external low pass filter for the version until 1W.

A directional coupler allows direct power to be measured and feed-back to the power supply and also connected to the multimeter.

2.5 5W R.F. POWER AMPLIFIER

The power stage is mounted on a heat-sink to dissipate generated heat, and totally enclosed in a metal screening box (4 Fig.3C).

This sub-assembly is mounted to the base of the chassis in a central position.

The R.F. signal coming from the frequency doubler, at a power level of about 5mW, passes through the driver stage (MGF0904-MGF0905) and is amplified by the final stage (MGF0906) up to a level 5W.

The signal then passes through a low pass filter to remove any harmonic components. A directional coupler allows direct power to be measured and feed-back to the power supply and also connected to the multimeter.

2.6 CPU

The CPU is housed in a metal box and mounted centrally on the rear of the front panel (2 Fig.3A-3B-3C).

This circuits converts the number corresponding to the selected operating frequency into binary code which is written to the programmable dividers of the PLL.

This allows the VCO to lock to the half of the desired operating frequency. Several of the transmitter's parameters may be remotely controlled via an 9 pin D-type serial port.

In the absence of mains power, a non-volatile memory maintains indefinitely, the last frequency that was programmed.

2.7 MODMETER

This card (1 Fig.3A-3B-3C) is mounted on the left side of the front panel. This circuit allows the deviation of the VCO frequency to be displayed by rectifying the audio signal injected to the Main card.

The card has two connectors; one for the mono signal and the other for the stereo signal.

A switch allows the gain of the measuring circuit to be set to 10% or 100% for a more precise reading of low-level deviation (e.g.. SCA, RDS, MPX pilot tone). Another switch sets the display mode to bar-graph or peak mode.

The display comprises 14 green leds and 6 red leds. In the 100% display mode, each led represents 6.66KHz of deviation with the first red led representing 100KHz and FSD at 130KHz.

In the 10% mode, each led represents 0.66KHz of deviation.

2.8 ANAMETER

This circuit comprises two cards and a meter mounted on the right hand side of the front panel (5 Fig.3A-3B-3C).

This sub-assembly displays the values of various operating parameters of the transmitter: internal voltages and currents and direct power. The parameters are selected by a lever switch and the selection is indicated by the legend of the green led.

The readings are take using the corresponding meter scales:

MEASUREMENT	SCALE	FSD
Internal voltages	V	30V
Internal currents	A	6A
Forward power	W	2.5W (1W-2W version)
Forward power	W	10W (5W version)

Forward Power reading is reliable only when the equipment supplies output power on a 50 Ohm adapted load

This circuit also features a red UNLOCK led, a red REMOTE led, controlled by the Main card and a red SWR led, controlled by the Power Supply (the SWR Alarm is been disabled because the final stage is able to stand an infinite SWR condition).

In addition there are: a green power led, a power output PWR trimmer and the mains supply switch.

2.9 DOUBLER

This card is mounted to the left side of the unit, in a central position (13 Fig.3A-3B-3C).

The circuit doubles the frequency of the VCO output at a level of about 7-10dBm, and the output is supplied to the input of the R.F. Power Amplifier.

FRONT PANEL VIEW DESCRIPTION (Fig.1)

1	MONO LEVEL	Mono level trimmer
2	MONO	Mono input connector, BNC type
3	STEREO LEVEL	Stereo level trimmer
4	STEREO	Stereo input connector, BNC type
5	10%-100%	Expansion of modulation meter scale Pos. 10% - Full scale shows 10% Pos. 100% - Full scale shows 100%
6	ON/OFF LPF/15KHz	ON/OFF Low Pass Filter selector
7	DOWN	Control frequency display. A momentary pushes causes the digit to go down 100KHz a time
8	ENTER	Enters the frequency on the display into microprocessor and memory. Once entered, the frequency is stored until a new frequency is entered on the front panel even if the power is turned off for several days
9	UP	Controls the display frequency in the same way as the "DOWN" button, except that the frequency goes up in 10KHz steps
10	METER SWITCH	Pushing the switch each time will light on led at a time in upward direction
11	LEDS	Light indicator indicated which parameter of the exciter is being displayed on the analog meter
12	SWR ALARM	The SWR Alarm is been disabled because the final stage is able to stand an infinite SWR conditon
13	REMOTE	This indicator will light when the transmitter is controlled by a remote computer

- | | | |
|----|-------------------|--|
| 14 | UNLOCK | This indicator will light when the VCO is not locked to the reference frequency.
Power output will also decrease to zero in this condition |
| 15 | METER | Analog meter used to monitor the parameters of the exciter such as:
+15V
+12V
+5V
Forward Power *
EXT 24V
VPA
IPA
AFC

* Forward Power reading is reliable only when the equipment supplies output power on a 50 Ohm adapted load. |
| 16 | ON | A.C. Power On indicator |
| 17 | POWER | ON/OFF Power switch |
| 18 | BAR/DOT | Selector of operation mode (BAR/DOT) for modulation meter |
| 19 | MODULATION | Modulation meter by "Led Diode Bar" |
| 20 | FREQUENCY DISPLAY | Frequency indicator |
| 21 | PWR ADJ | A ten turns control which controls the power output of the exciter.
Once set the power remains at that level due to AGC action |

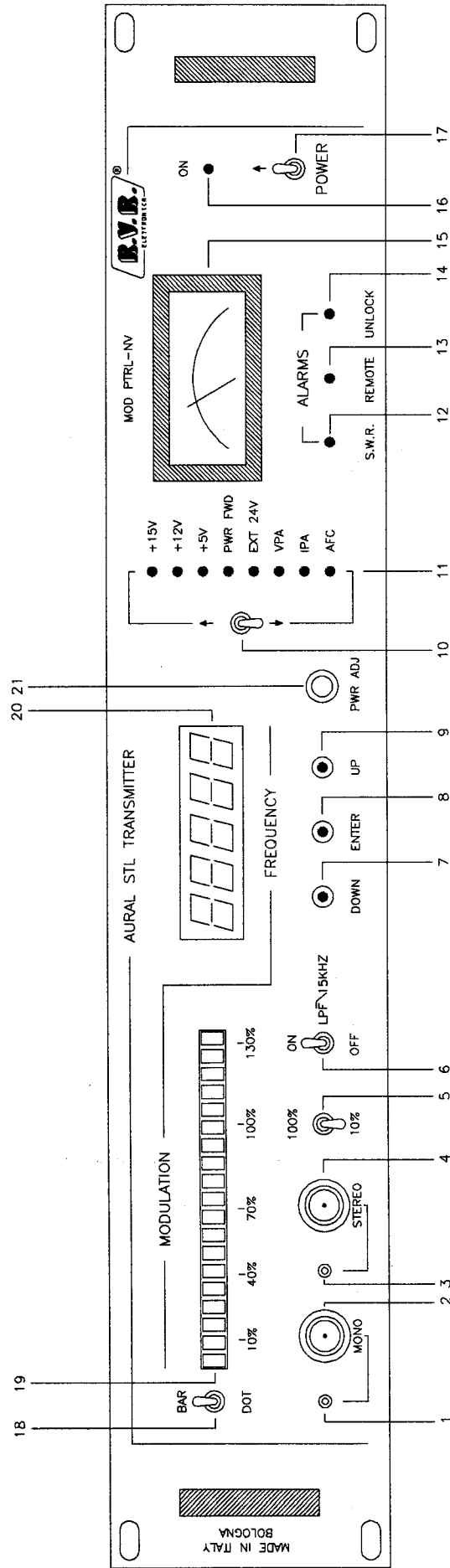


FIG. 1

REAR PANEL VIEW DESCRIPTION (Fig.2)

1	PLUG	A.C. power plug
2	FUSE BLOCK	Fuse block and voltage changer. Use a small screwdriver to change fuse or voltage setting. Turn block and place desired operating voltage next to arrow
3	REMOTE CONTROL (Optional)	DB9 communication line to control or receive status of the transmitter. Baud rate is 1200 Baud. On request, it may be changed to 300, 600 or 2400 baud. A program is available on 5 1/4" or 3 1/2" disk for IBM ® or compatible. Plug is a standard DB9 female.
		Pin 1 Not Connected Pin 2 TXD Pin 3 RXD Pin 4 DSR * Pin 5 GND Pin 6 DTR * Pin 7 CTS \$ Pin 8 RTS \$ Pin 9 Not Connected
		* DTR and DSR are connected together \$ CTS and RTS are connected together
4	+ EXT 24V (Optional)	Positive terminal for EXT 24V
5	- EXT 24V (Optional)	Negative terminal for EXT 24V
6	FAN	Cooling fan for Power Amplifier stage and Power Supply
7	R.F. TEST -30dB	R.F. Test point connector -30dB (Not used)
8	USA AUDIO INPUT CARD (Optional)	Telemetry U.S.A. audio input card
9	EXT REF IN	External reference input (Not used)
10	INTERLOCK	BNC connector which permits to put the exciter in stand-by
11	R.F. Output	"N" connector, 50 Ohm

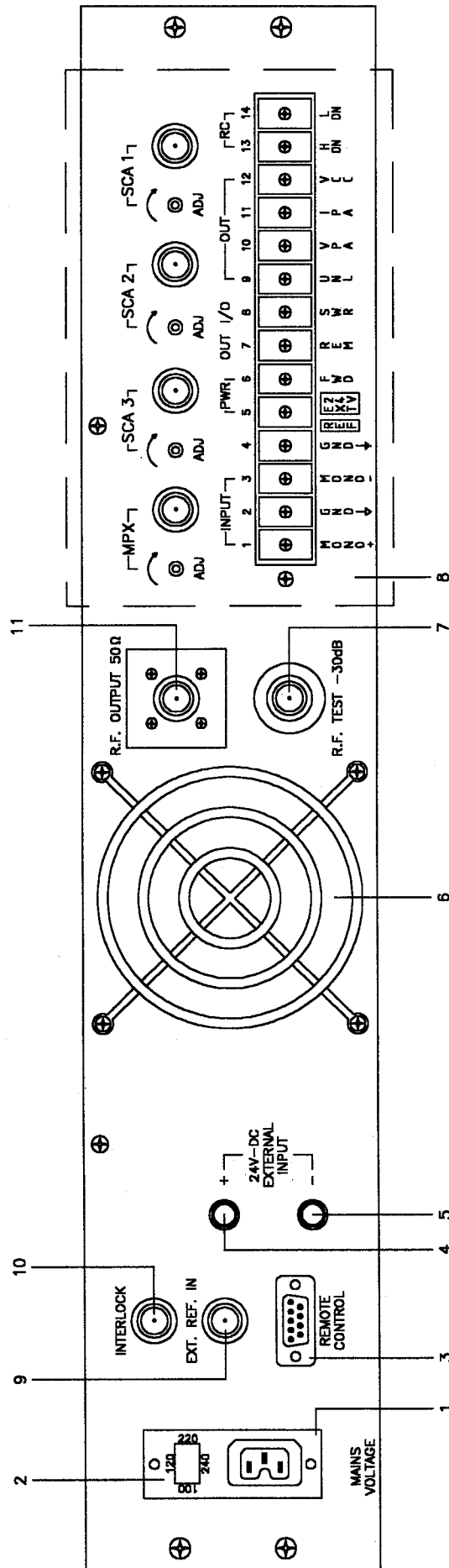


FIG. 2

TOP VIEW DESCRIPTION OF PTRL-NV/2 1W (Fig.3A)

1	MODMETER CARD
2	CPU
3	CON-PA CARD
4	1W R.F. POWER AMPLIFIER
5	ANAMETER CARD
6	TRANSFORMER
7	SUPPLY SOCKET
8	POWER SUPPLY CARDS
9	FAN
10	R.F. OUTPUT CONNECTOR
11	LOW PASS FILTER
12	MAIN CARD
13	DOUBLER
14	VCO

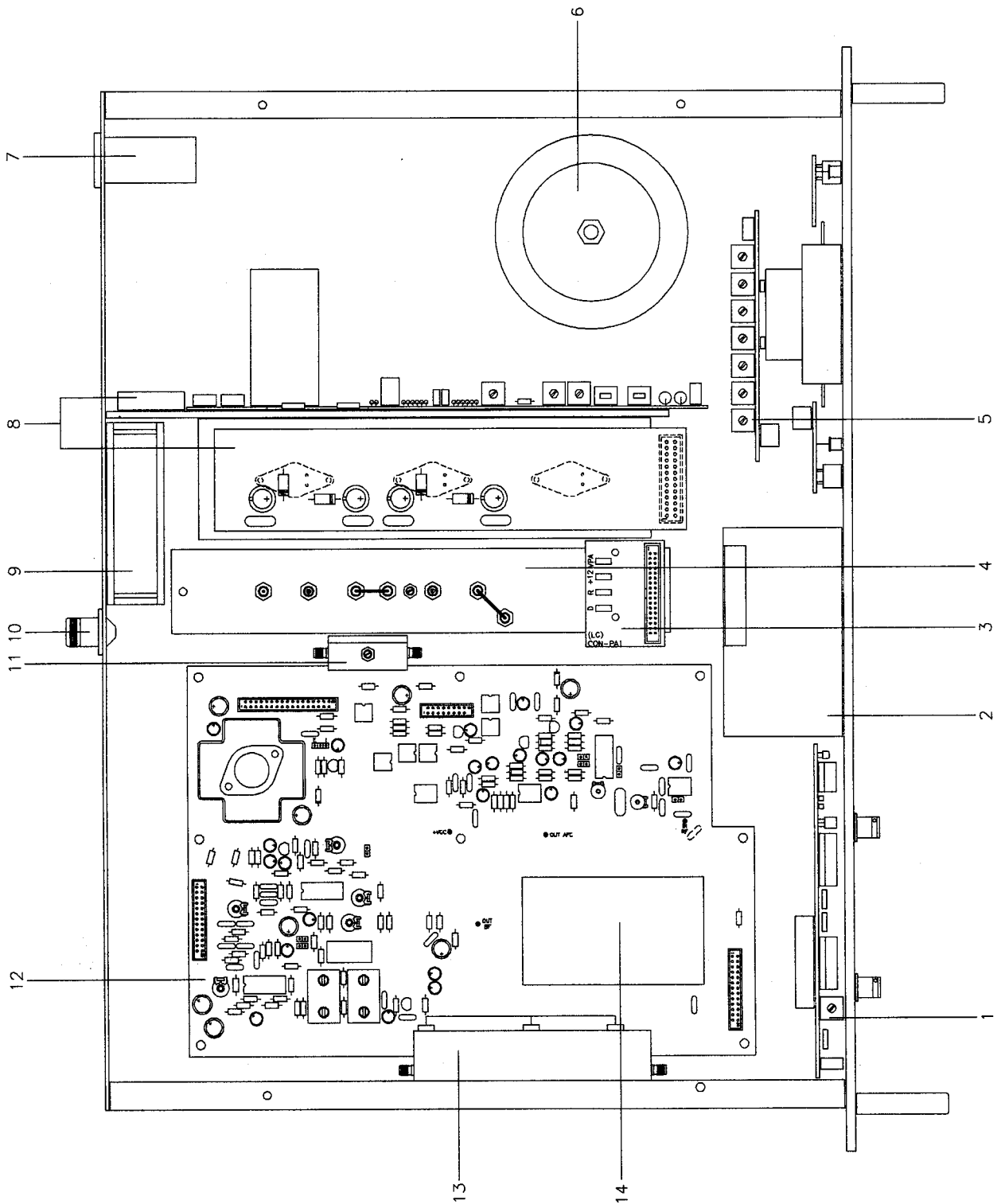


FIG. 3A

TOP VIEW DESCRIPTION OF PTRL-NV/2 2W (Fig.3B)

1	MODMETER CARD
2	CPU
3	CON-PA CARD
4	R.F. POWER AMPLIFIER - DRIVER STAGE
5	ANAMETER CARD
6	TRANSFORMER
7	SUPPLY SOCKET
8	POWER SUPPLY CARDS
9	FAN
10	R.F. OUTPUT CONNECTOR
11	R.F. POWER AMPLIFIER - FINAL STAGE
12	MAIN CARD
13	DOUBLER
14	VCO

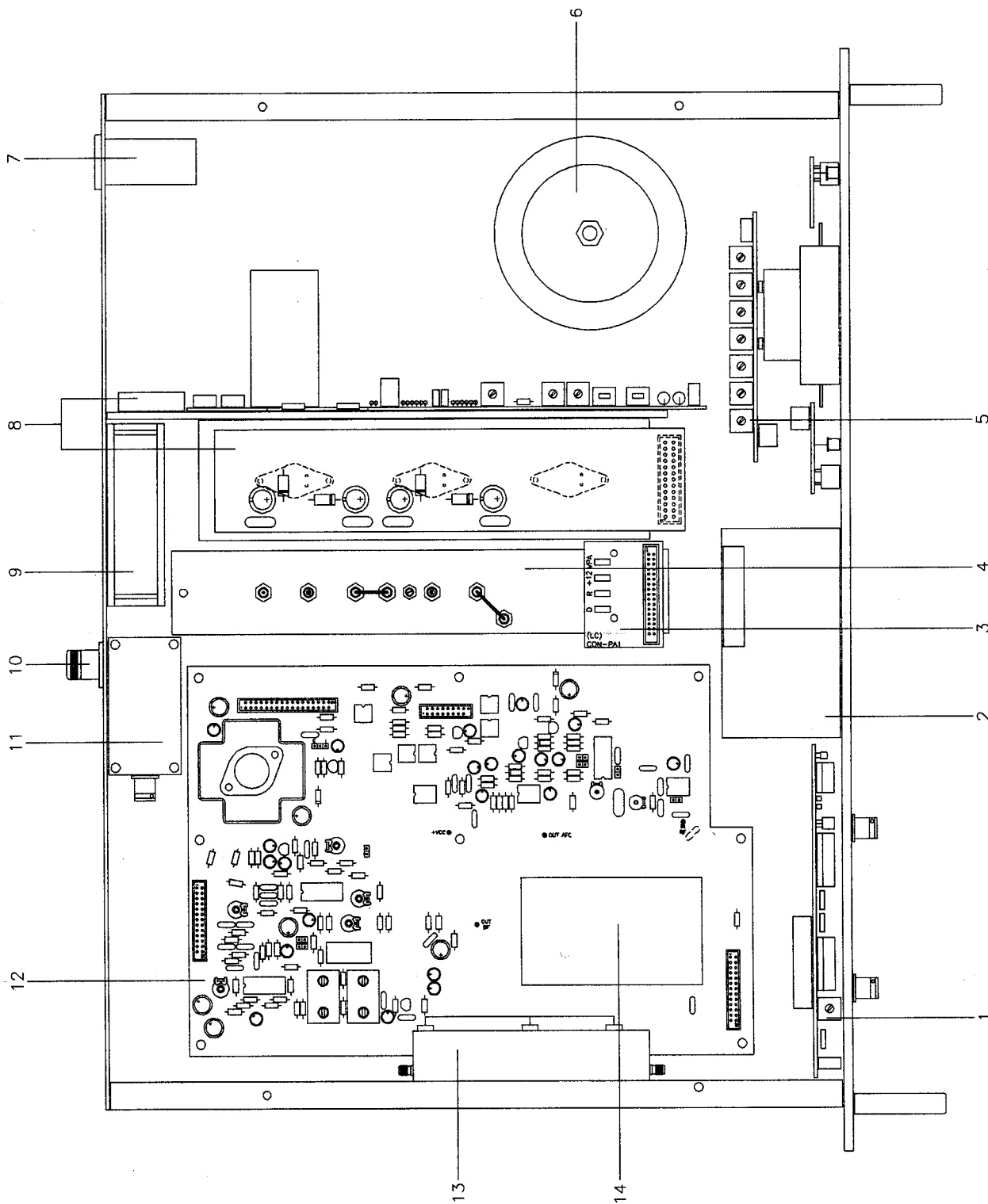


FIG. 3B

TOP VIEW DESCRIPTION OF PTRL-NV/2/HP (Fig.3C)

1	MODMETER CARD
2	CPU
3	CON-PA CARD
4	5W R.F. POWER AMPLIFIER
5	ANAMETER CARD
6	TRANSFORMER
7	SUPPLY SOCKET
8	POWER SUPPLY CARDS
9	FAN
10	R.F. OUTPUT CONNECTOR
11	MAIN CARD
12	DOUBLER
13	VCO

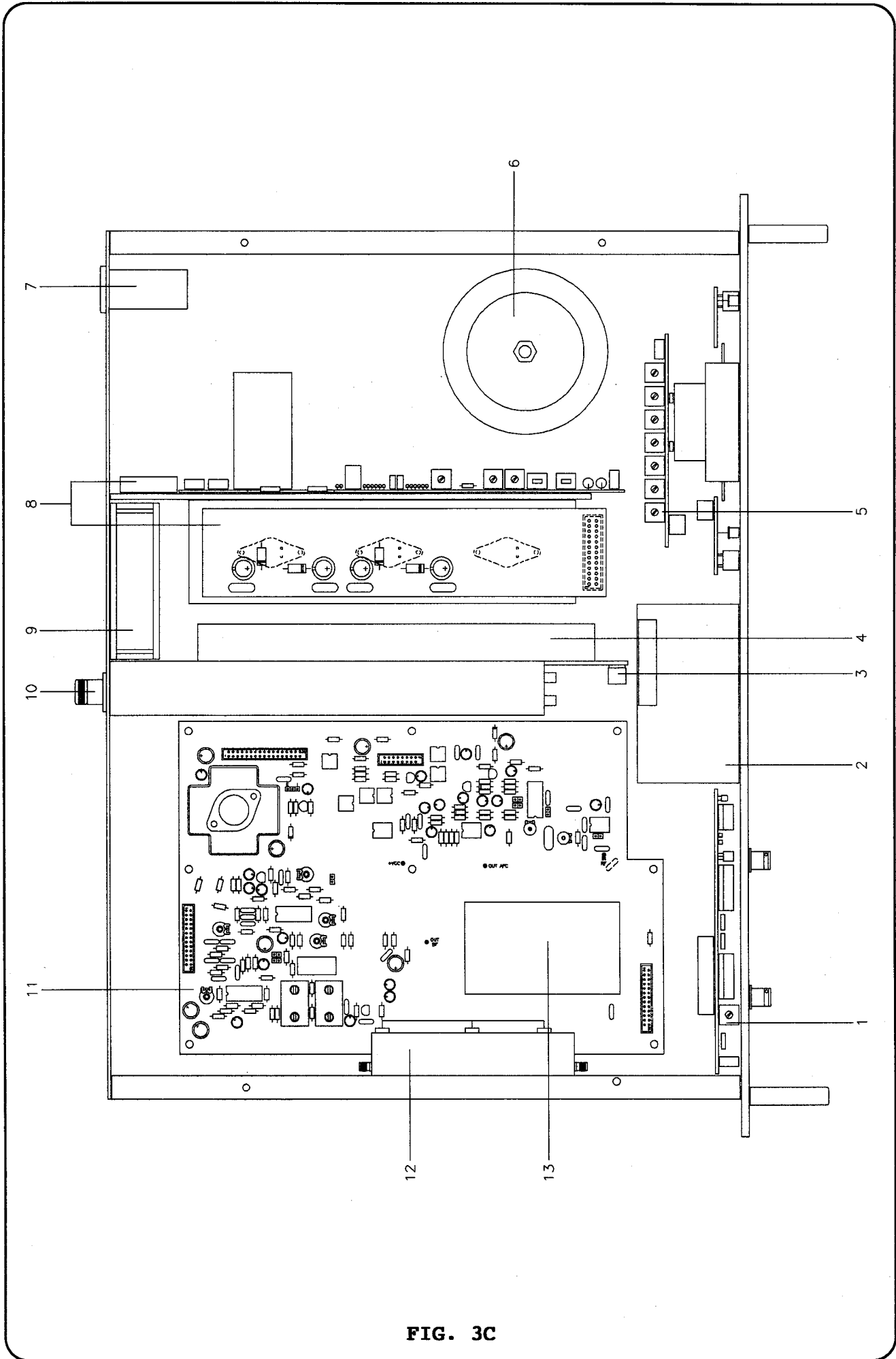


FIG. 3C

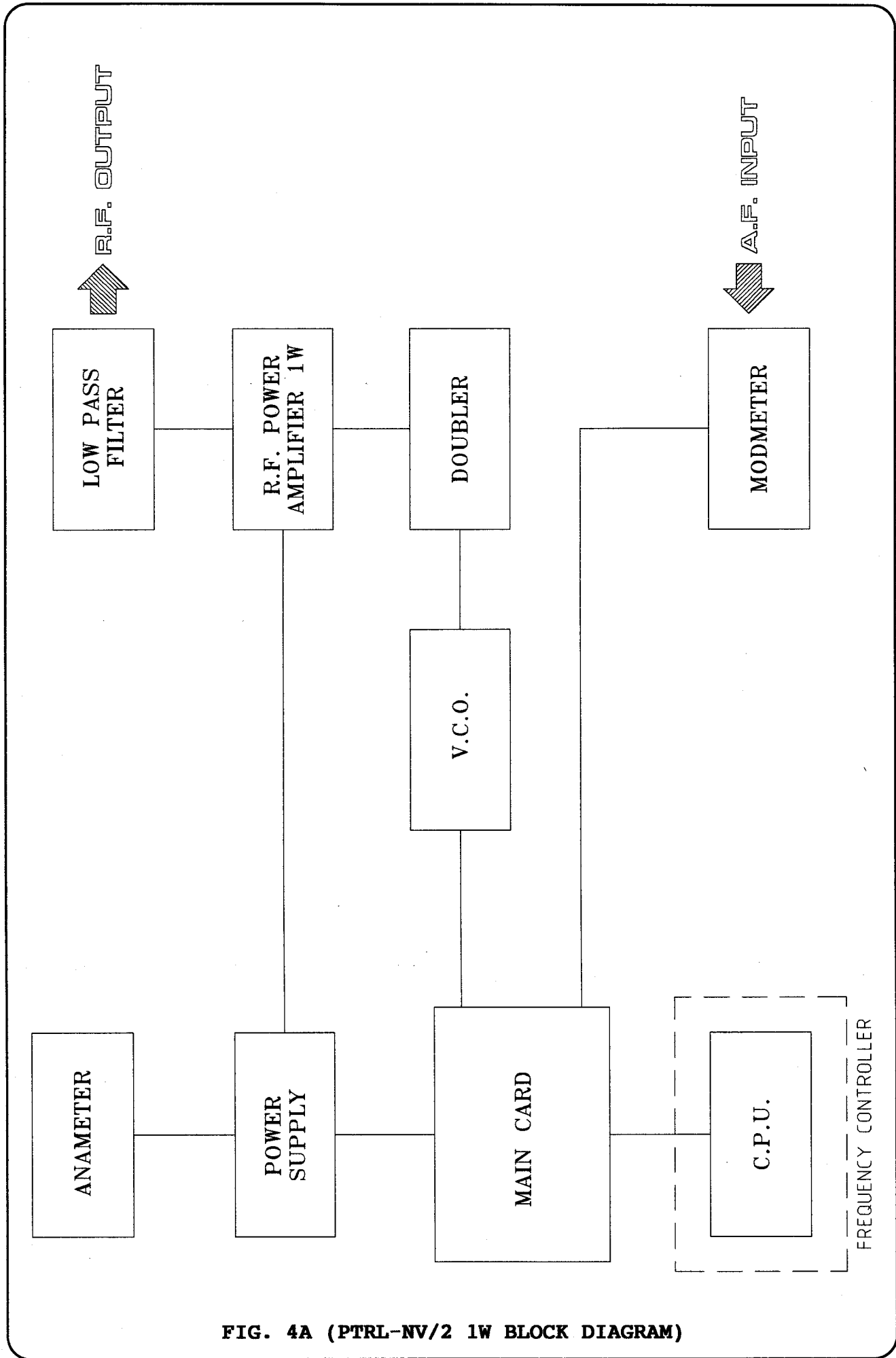


FIG. 4A (PTRL-NV/2 1W BLOCK DIAGRAM)

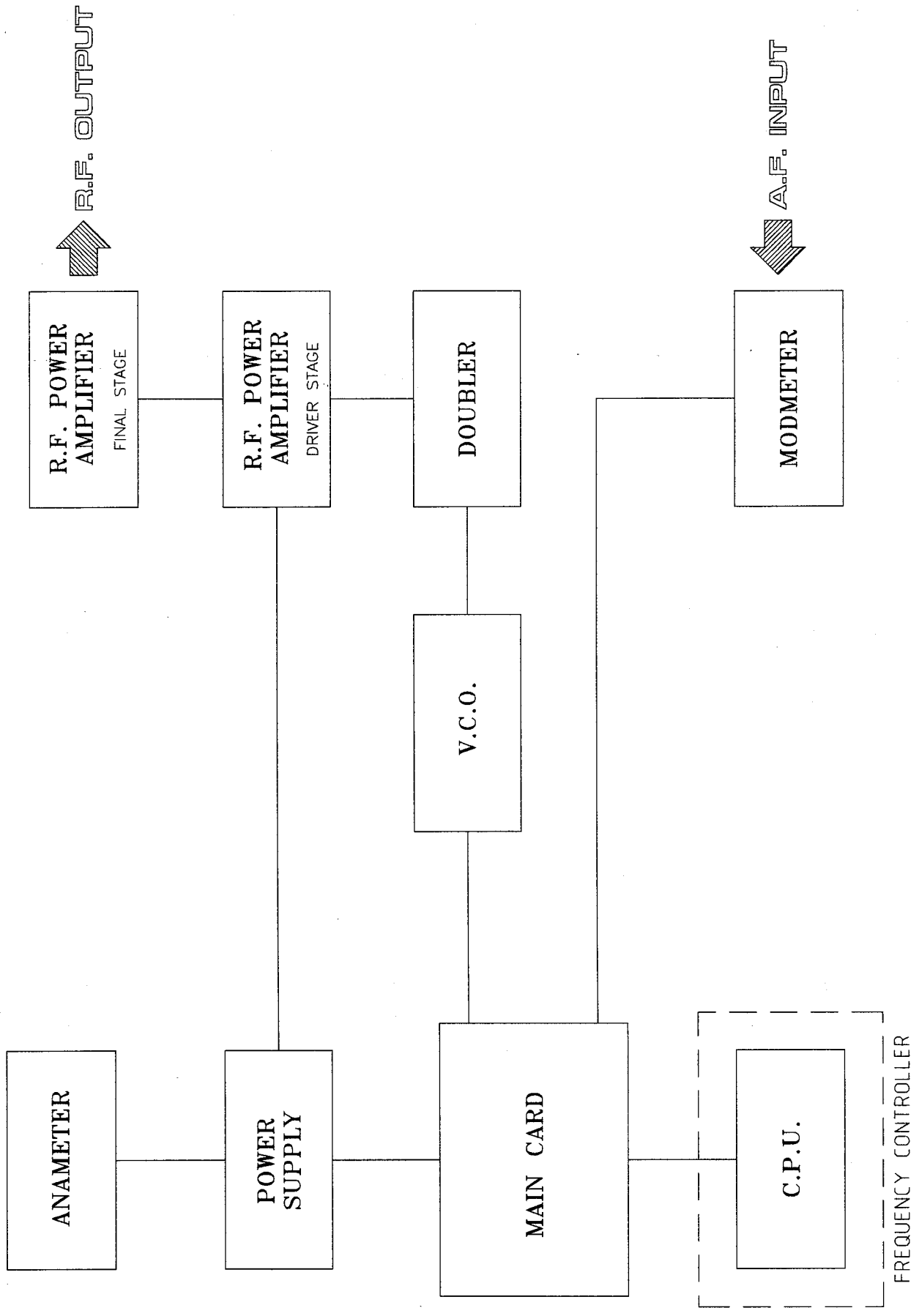


FIG. 4B (PTRL-NV/2 2W BLOCK DIAGRAM)

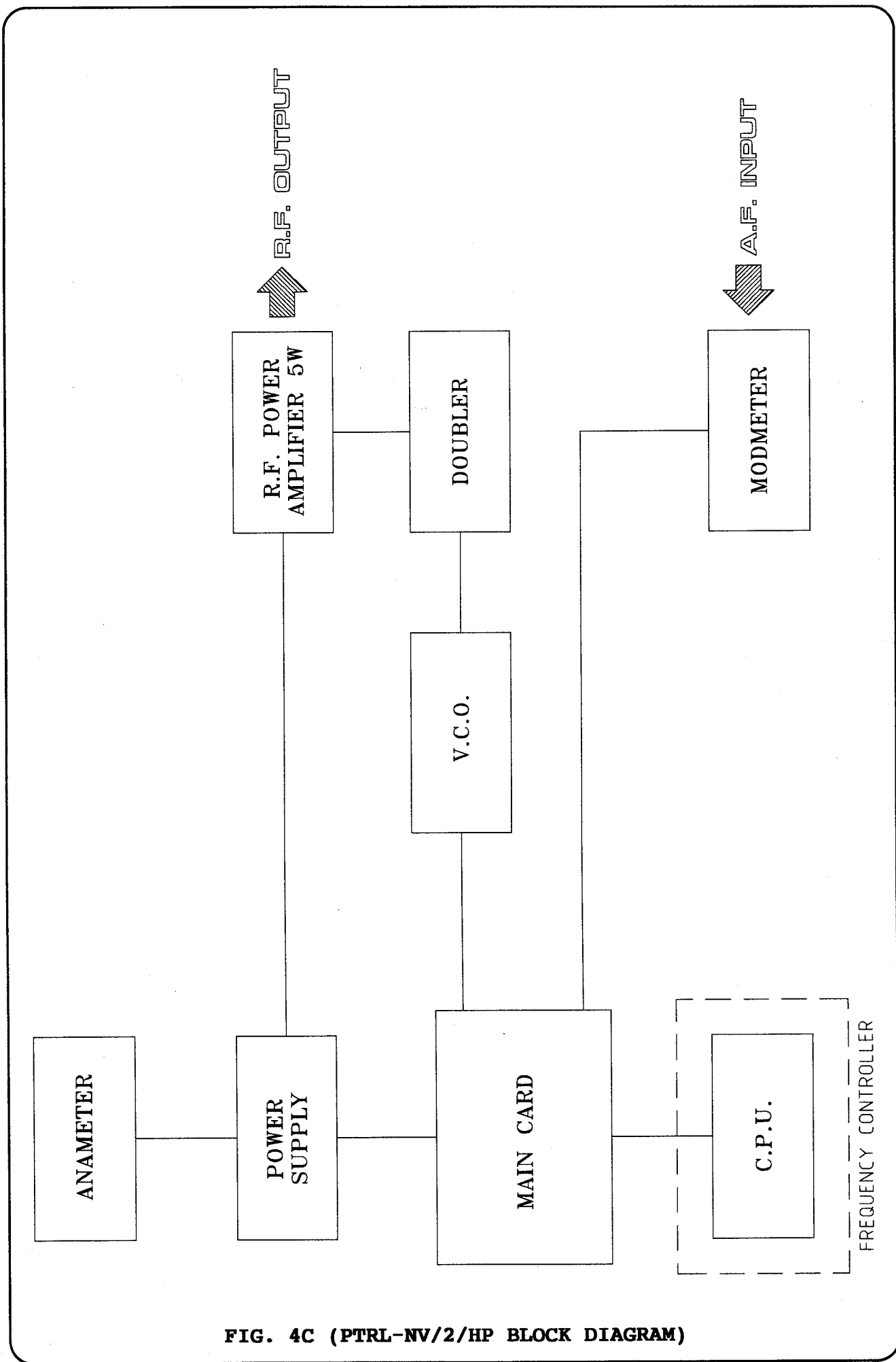


FIG. 4C (PTRL-NV/2/HP BLOCK DIAGRAM)

SECTION 3

INSTALLATION

3.1 INTRODUCTION

This section contains the information required to install the PTRL-NV/2 and PTRL-NV/2/HP transmitter and carry preliminary checks.

3.2 UNPACKING

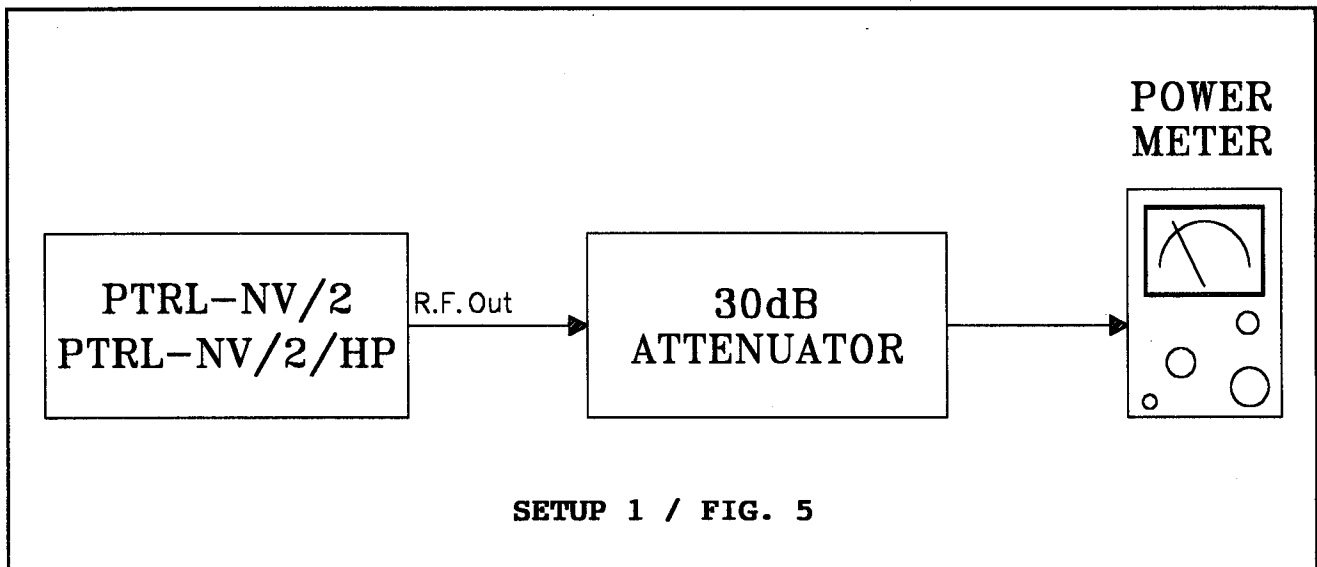
Remove the unit from its packing and, before anything else, ensure that the unit has not suffered any damage during transit and that all front and rear panel controls are operational.

3.3 INSTALLATION

- 1) This transmitter is able operate from 4 different supply voltages: 100, 120, 220 or 240 Vac, at 50-60Hz.
First of all select the correct supply voltage using the selector situated on the rear panel; use a screwdriver to raise the cover (2 Fig.2) on which are written the various voltages, rotate it until the arrow points ti the correct voltage and re-insert it.
Check that a fuse is fitted to the cover and that its value corresponds to the following:

220-240 V 2A
100-120 V 3.1A

- 2) Connect a 30dB attenuator between the R.F. Output connector (5 Fig.2) and Power Meter (see SETUP 1 Fig.5).
Use external power meter to verify the reading of equipment internal wattmeter.



- 3) Connect a switch, via cable, to the INTERLOCK connector (10 Fig.2) on the rear panel so that the switch is able to short the central conductor to its screen.
Leave the switch in the short-circuit position.
- 4) Switch the power switch (17 Fig.1) to the OFF position.
- 5) Connect power to the unit via the VDE socket (1 Fig.2).

(NOTE: It is essential that the unit be properly earthed to ensure both the safety of the operator as well as the correct functioning of the equipment).

- 6) Switch the power switch to the ON position and check that the green POWER ON led (16 Fig.1), the red UNLOCK led (14 Fig.1) and the led corresponding to the parameter selection PWR/FWD (11 Fig.1), are all lit.

After a few seconds the central display (20 Fig.1) will come on and display a number (eg. 1790.0) corresponding to the last operating frequency to have been programmed. The red UNLOCK led should switch off within 30 seconds indicating that the oscillator has locked to the operating frequency displayed. The display has five digits, 4 before the decimal point representing (from left to right) thousands of MHz, hundreds of MHz, tens of MHz and MHz; and 1 after the decimal point representing hundreds of KHz. To change this number, use the UP (9 Fig.1) and DOWN (7 Fig.1) buttons to respectively increase it and decrease it. Once the desired frequency has been found, press ENTER button (8 Fig.1) to confirm and save it.

As soon as the ENTER button has been pressed, the UNLOCK led will come on (providing that the new frequency is different from the old), indicating that the VCO is re-tuning to the new frequency.

If the ENTER button is not pushed, the display will flash the new value four times and then reset to the previous value.

NOTE: The transmitter will continue to function normally at the same frequency, throughout the procedure described above, until the ENTER button is pressed.

Note that a momentary press of the UP and DOWN buttons will increment or decrement the right most digit by 1 (corresponding to a frequency change of 100KHz). A longer press of either button will cause the display to increment or decrement continuously until the button is released. Furthermore, when the limit of the operating frequency band is reached, the displayed frequency will jump to the other limit and carry on changing in the direction corresponding to the button being pushed.

Example : Band 1750-1800MHz

UP button pressed :	1799.9	1800.0	1750.0	1750.1
DOWN button pressed :	1750.1	1750.0	1800.0	1799.9

After the PLL has been locked for about 90 seconds, the display turns off automatically. To switch it on, press the ENTER button.

- 7) Having verified that the transmitter has locked onto the desired operating frequency by checking that the UNLOCK led is off, set the switch so as to remove the short-circuit from between the two conductors of the INTERLOCK cable. The R.F. power output is now enabled and should measure about 2W for the 2W version (1W for the 1W version and 5W for the 5W version). To make this measurement, ensure that the PWR/FWD led is on by setting the switch (10 Fig.1) to the corresponding position and then take reading from the 2.5W FSD (10W FSD for the 5W version) scale on the meter

- 8) Leaving the power output at 2W for the 2W version (1W for the 1W version and 5W for the 5W version), select a new operating frequency well away from the current one.

E.g. 1755.0MHz press ENTER: when the UNLOCK led comes on, the power output level should fall to zero and return to its previous level only when the led goes out again (locked to new frequency).

- 9) Now short-circuit the INTERLOCK input and the power level should immediately fall to zero.

Removing the short should result in the power output returning gradually to its previous level.

- 10) Deviation meter check

Set the modulation bar-graph display gain (5 Fig.1) to 100%.

Connect a low-distortion audio frequency generator to the MONO (2 Fig.1) or STEREO (4 Fig.1) inputs.

Inject a 400Hz tone at a level of -10dBm for the European version or 0dBm ($775\text{mV}_{\text{rms}} = 2.2\text{V}_{\text{pp}}$) for the American version.

Check that the bar-graph display (19 Fig.1) lights up to the first red led, indicating 100% deviation.

With the DOT/BAR switch in the BAR position, all the green leds and the first red led should be on; in the DOT position only the first red led will be on.

Now disconnect the audio generator and ensure that all the bar-graph leds go out (19 Fig.1).

Set the control (5 Fig.1) to 10% and inject a 400Hz tone of -30dBm (-20dBm for the American version) and repeat the proceeding operation.

The procedure should be followed first for the MONO input and then for the STEREO input.

TABLE C

RECOMMENDED TEST EQUIPMENT

INSTRUMENT	MODEL	SPECIFICATIONS
Non-inductive dummy load	Bird Mod. 8080	50 Ohm P > 25W
Spectrum Analyzer	Advantest Mod. R4131D	10KHz - 3.5GHz
F.M. Modulation Meter	Rohde Schwarz Mod. F.A.M.	
Digital Multimeter	Fluke Mod. 73	
Power Meter	Hewlett Packard Mod. 435A	
Stereo Decoder	A.E.V. Mod. SMD	Stereo separation > 60dB 30Hz to 15KHz
Low Distortion A.F. generator	Krohn-Hite Mod. 4400A	THD < 0.001%
Oscilloscope	Tektronix Mod. 2247A	DC-100MHz
R.F. Generator	Rohde Schwarz Mod. SMPD	5KHz / 2720MHz
Audio Analyzer	Panasonic Mod. VP7722A	
30dB Attenuator	Hewlett Packard Mod. 8498A	Max Avg Pwr 30W
Variable Attenuator	Hewlett Packard Mod. 8496B	Attenuator 110dB Max RF Pwr 1W CW
Variable Attenuator	Hewlett Packard Mod. 8494B	Attenuator 11dB Max RF Pwr 1W CW

SECTION 4

MAINTENANCE

4.1 SAFETY REQUIREMENTS

WARNING WARNING WARNING WARNING WARNING WARNING WARNING WARNING

When the transmitter is operational, removing the top panel will expose lethal voltages on the line voltage selector. Use insulated tools for all types of adjustment and do not touch any internal components when the unit is switched on.

Ensure that the unit is disconnected from all sources of power before carrying out any inspection or maintenance work.

MAINTENANCE LEVEL 1

4.2 ROUTINE MAINTENANCE

The only routine maintenance required by the transmitter is the periodic replacement of the cooling fan and the removal of accumulated dust.

The period between such action will depend on ambient operating conditions such as temperature, air-borne dust levels and humidity. It is advisable to check the unit every 6 months and to replace noisy or worn fans.

Fans should be replaced as a matter of course after no more than 18 months of operation.

MAINTENANCE LEVEL 2

CARD REPLACEMENT

NOTE. TO FIT A CARD, FOLLOW THE REMOVAL PROCEDURE IN REVERSE

4.3 MAIN CARD REPLACEMENT

- 1) Open the top cover of the unit.
- 2) Disconnect connectors CN1, CN2, CN3, CN4, CN5, CN6 and CN7.
- 3) Undo the nuts holding the card in place.
- 4) Desolder the wire connecting the Main card VCO to the Doubler.
- 5) Remove the Main Card with great care.

4.4 MODMETER CARD REPLACEMENT

- 1) Open the top cover of the unit.
- 2) Disconnect the connector CN1 that connects the Modmeter card to the Main card.
- 3) Undo the two front panel fixing screws.
- 4) Undo the Modmeter switch nuts, situated on the front panel.
- 5) Undo the MONO and STEREO connector fixing nuts on the front panel.
- 6) Slide the card out with great care.

4.5 CPU REPLACEMENT

- 1) Open the top cover of the unit.
- 2) Undo the front panel fixing screw.
- 3) Undo the nuts fixing the switches to the front panel.
- 4) Disconnect the connectors CN1 and CN2 that connect the CPU to the Main card and to the rear panel RS232 connector, respectively.
- 5) Undo the screws fixing the metal container protecting the CPU, and remove it.
- 6) Remove the card with great care.

4.6 ANAMETER CARD REPLACEMENT

- 1) Open the top cover of the unit.
- 2) Undo the front panel fixing screws and the Switch Selector fixing nut.
- 3) Disconnect connector CN1 connecting the Anameter card to the power supply and connector CN1 the Modmeter Card to the Main card.
- 4) Disconnect the faston connectors connecting the power cables.
- 5) Unscrew the nuts holding the card to the meter.
- 6) Remove the card with great care.

4.7 POWER SUPPLY REPLACEMENT

- 1) Open the top cover of the unit.
- 2) Disconnect connectors CN3 and CN4.
- 3) Unscrew the screws fixing the Power Supply to the base of the units.
- 4) Take careful note of the position of each cable with reference to its color.
- 5) Disconnect the jumper CN2, the faston connectors connecting the transformer to the bridge rectifier and the CN7 connector.
- 6) Remove the Power Supply with great care.

4.8 DOUBLER REPLACEMENT

- 1) Open the top cover of the unit.
- 2) Disconnect connectors CN1 and CN2.
- 3) Desolder the wire connecting the Main card VCO to the Doubler.
- 4) Unscrew the screws fixing the Doubler in place.
- 5) Remove the Doubler.

4.9 1W R.F. POWER AMPLIFIER REPLACEMENT

- 1) Open the top cover of the unit.
- 2) Disconnect the CN1 connector of the R.F. Power Amplifier, disconnect the connector CN2 of the Low Pass Filter and the connector CN1 of the CON-PA card.
- 3) Unscrew the screw fixing the R.F. Power Amplifier to the base of the unit.
- 4) Remove the R.F. Power Amplifier.

4.10 2W R.F. POWER AMPLIFIER REPLACEMENT

- 1) Open the top cover of the unit.
- 2) Disconnect the connectors CN1 and CN2 of the R.F. Power Amplifier Module Driver Stage, disconnect the connector CN1 of the R.F. Power Amplifier Module Final Stage and disconnect the connector CN1 of the CON-PA card.

- 3) Unscrew the screws fixing the R.F. Power Amplifier Module Driver Stage to the base of the unit and unscrew the screws fixing the R.F. Power Amplifier Module Final Stage to the rear panel of the unit.
- 4) Remove the two R.F. Amplifier Module.

4.11 5W R.F. POWER AMPLIFIER REPLACEMENT

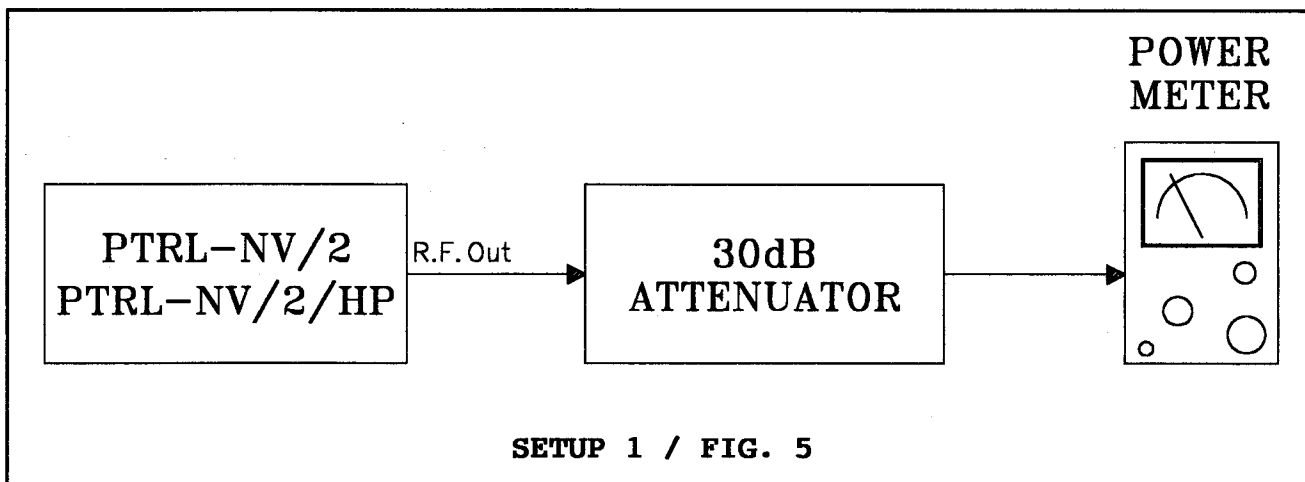
- 1) Open the top cover of the unit.
- 2) Disconnect the CN1 and CN2 connectors of the R.F. Power Amplifier and the connector CN1 of the CON-PA card.
- 3) Unscrew the screw fixing the R.F. Power Amplifier to the base of the unit.
- 4) Remove the R.F. Power Amplifier.

SECTION 5

CALIBRATION

5.1 CALIBRATION OF THE 1W-2W-5W R.F. POWER AMPLIFIER

After replacement of the amplifier, the following procedure should followed (see SETUP1 Fig.5):



- 1) Connect a 30dB attenuator between the R.F. Output and 50 Ohm and power meter.
- 2) Switch on the transmitter and wait for the PLL lock and the power output to be enabled.
- 3) Using the external wattmeter, adjust trimmer R3, situated on the Power Supply card, for a power output of 1W for the 1W version, 2W for the 2W version and 5W for the 5W version, if necessary.
- 4) Set meter selector (10 Fig.1) to FWD and adjust R21 on the Anameter card for a reading of 1W for 1W version (2W for 2W the version, 5W for the 5W version) on the transmitter's own meter (15 Fig.1).

WARNING

- The SWR Alarm is been disabled because the final stage is able to stand an infinite SWR condition.
- Forward power reading is reliable only when the equipment supplies output power on a 50 Oh adapted load.

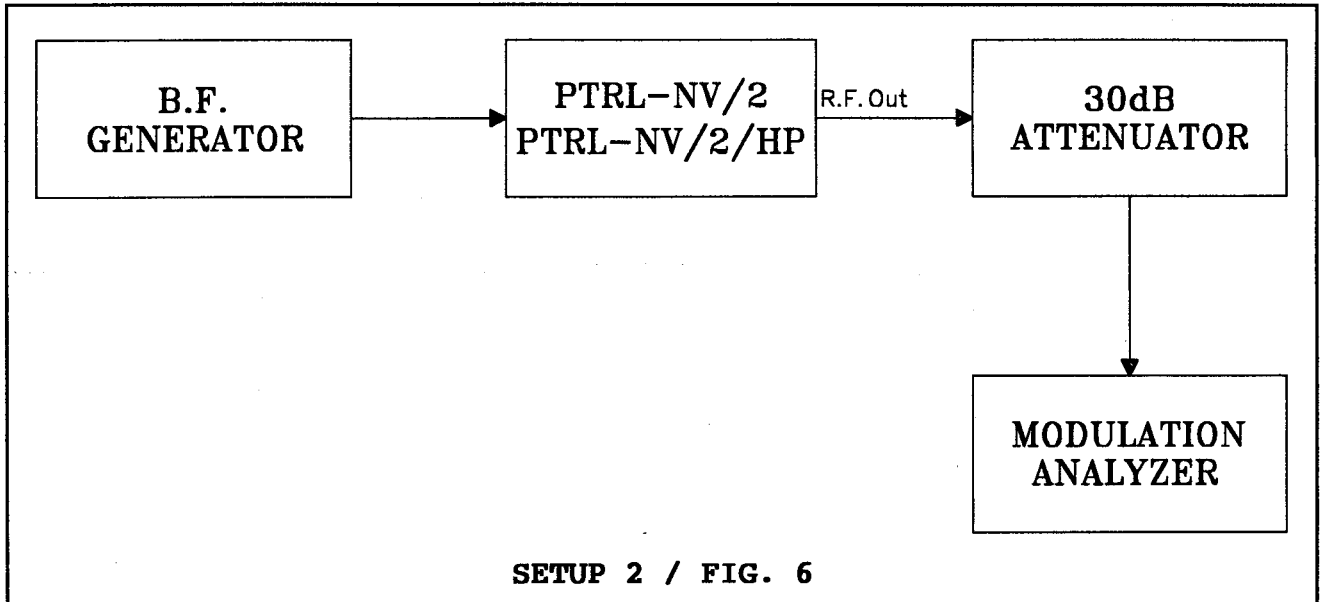
5.2 CALIBRATION OF THE POWER SUPPLY

The only adjustment required after replacement of the power supply are those detailed in 5.1 (Calibration of the R.F. Power Amplifier). It is sufficient to follow steps 1 to 4 of this procedure after the power

supply has been replaced. The two modules are interconnected and thus interdependent.

5.3 CALIBRATION OF THE MODMETER CARD

For this procedure please refer to SETUP 2 (Fig.6).



- 1) Connect a 30dB attenuator between the R.F. Output connector and FAM Modulation Analyzer.
- 2) Connect an audio frequency generator to the MONO and MPX inputs set a frequency of 400Hz and an amplitude (at the connector) of -10dBm (0dBm for the American version).
- 3) Set the switch 10%-100% (5 Fig.1) to 100%.
- 4) Verify 100KHz value on the FAM Modulation Analyzer.
- 5) Adjust trimmer R30 on the Modmeter card until the first red led comes on (corresponding to the 100% level).
- 6) Set the switch 10%-100% (5 Fig.1) to 10%.
- 7) Inject a 400Hz signal into the input connector at a level of -30dBm for European version or -20dBm for American version.
- 8) Adjust trimmer R4 on the Modmeter card until the first red led comes on (corresponding to a level of 10%).

5.4 CALIBRATION OF THE MAIN CARD

Having fitted the Main card and made all necessary connections, carry out the following procedure (see SETUP 2 Fig.6):

- 1) Connect an audio frequency generator to the Mono or Stereo inputs.
- 2) Connect a 30dB attenuator between the R.F. Output connector and FAM Modulation Analyzer.
- 3) Remove jumper JP4 from the Main card.
- 4) Inject a 400Hz signal at a level of -10dBm (0dBm, $775\text{mV}_{\text{rms}}$, 2.2V_{pp} for American versions) into the MONO input (trimmer R42 at maximum).
- 5) Set the LPF\15KHz selector (6 Fig.1) to ON.
- 6) For American version, inject the Mono signal at 0dBm into the Mono "+" and Mono "-" of the USA audio input card.
Set the LPF\15KHz switch to on and adjust R8 to annul the signal on pin 14 of U2 (CMRR Common Mode Rejection Ratio).
Now, inject the Mono signal at 0dBm into the Mono "+" only (Mono "-" is connected to ground).
- 7) Connect an oscilloscope to pin 14 of U1 (with R8 in a central position for European versions) and adjust R40 for a reading of 8V_{pp} .
Set the LPF\15KHz switch (6 Fig.1) to OFF and make the same adjustments using R37.
- 8) Configure the Modulation Analyzer to measure deviation with 30Hz/200KHz FM/P+ filters and check that the deviation is 100KHz. If this is not the case, adjust trimmer R8 on the VCO for the right value.
- 9) Inject a 400Hz signal at a level of -10dBm (0dBm, $775\text{mV}_{\text{rms}}$, 2.2V_{pp} for American version) into the MPX input (trimmer R41 at maximum).
- 10) Set the LPF\15KHz switch (6 Fig.1) to OFF and fit jumper JP3 to the Main card.
- 11) Connect the positive probe of a voltmeter to pin 14 of U1 (negative probe to ground) and adjust R28 for a reading of 8V_{pp} .
- 12) Now remove jumper JP3 and fit it to JP4. Adjust R35 for 8V_{pp} .

NOTE: The audio generator used for this test must have a distortion level of better than 0.001%. Carry out this procedure at the normal operating frequency of the transmitter).

5.5 CALIBRATION OF THE ANAMETER CARD

After replacement of the cards it is necessary to calibrate all the functions that they perform SETUP 1 (Fig.5/Pag.40):

- 1) Connect a 30dB attenuator between the R.F. Output and 50 Ohm and power meter.

- 2) For each of the selector (10 Fig.1) position adjust the corresponding trimmer for the values listed below:

READING	VALUES	FSD	TRIMMER	NOTE
+15V	15V	30V	R18	
+12V	12V	30V	R17	
+5V	5V	30V	R22	
FWD	1W-2W, 5W	2.5W, 10W	R21	
EXT 24V (OPT)	24V	30V	R16	1
VPA	VAR	30V	R15	2
IPA	VAR	6A	R19	3
AFC	VAR	30V	R20	4

NOTE:

- 1) The reading is 0V if not fitted.
- 2) Use a multimeter to measure the voltage between Vp of Q1 (MJ3001 on the power supply card) and check for the same reading on the internal meter.
- 3) For the IPA reading, use a 10Ohm 10W resistor between Vp of Q1 (MJ3001 on the power supply card) and ground in series with an ammeter and check for the same reading on the internal meter.
- 4) Use a multimeter to read the AFC voltage on pin 1 of U7 on the Main card.

5.6 CALIBRATION OF THE CPU

After replacement, check that the displays function and that operating frequencies can be programmed using the UP (9 Fig.1), DOWN (7 Fig.1) and ENTER (8 Fig.1) buttons. Check correct operation of the DB9 serial port (if fitted). No other checks are required.

5.7 CALIBRATION OF THE VCO

To calibrate the VCO, carry out the following procedure:

- 1) Connect the positive probe of a voltmeter to the glass capacitor (connected to the varicap) and the negative probe the ground.
- 2) Check that at both limits of the operating frequency band, the voltage reading lies between 3.5 and 10.3V. The higher frequency should correspond to the higher voltage and vice versa.
- 3) If the voltages in step 2 cannot be verified i.e. the PLL is not locked, the soldered joint, connecting the SL strip-line to ground,

should be moved (the other end of the strip-line is connected to the cathode of the varicap via capacitor CX).

- 4) If the calibration procedure is being carried out after a change of frequency, capacitor CX and impedance L4, situated on the VCO card, will also have to be changed according to Table D.

<i>TABLE D</i>		
FREQUENCY RANGE	CX VALUE	L4 VALUE
1400-1700 MHz	3.3-5.6 pF	2.2 μ H
1700-2600 MHz	3.3-5.6 pF	0.22 μ H

SECTION 6

ALIGNMENT OF THE RADIO LINK

6.1 INTRODUCTION

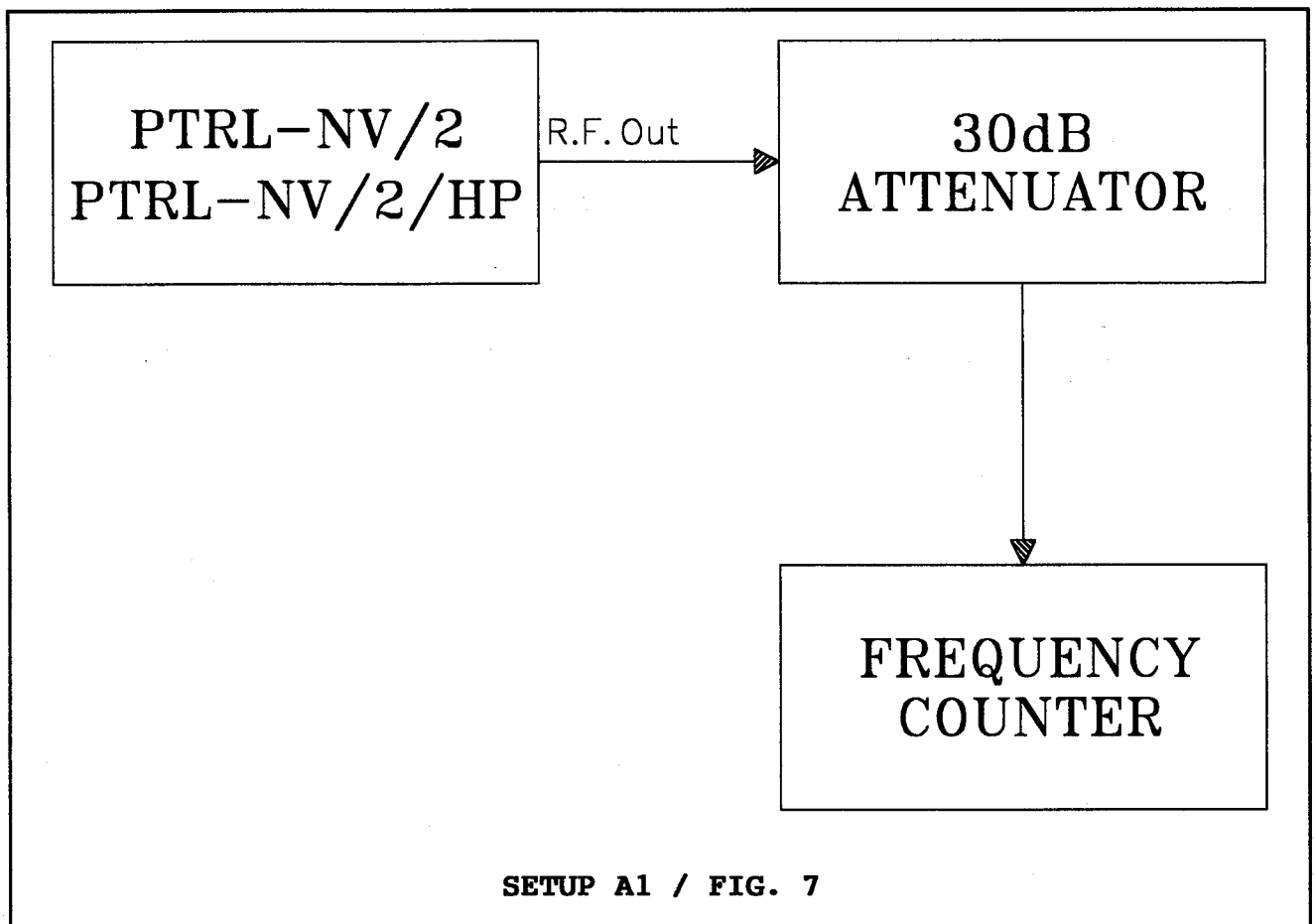
This chapter details the alignment procedure for the PTRL-NV/2 (or PTRL-NV/2/HP) transmitter and the RXRL-NV/2 receiver.

6.2 FREQUENCY ALIGNMENT

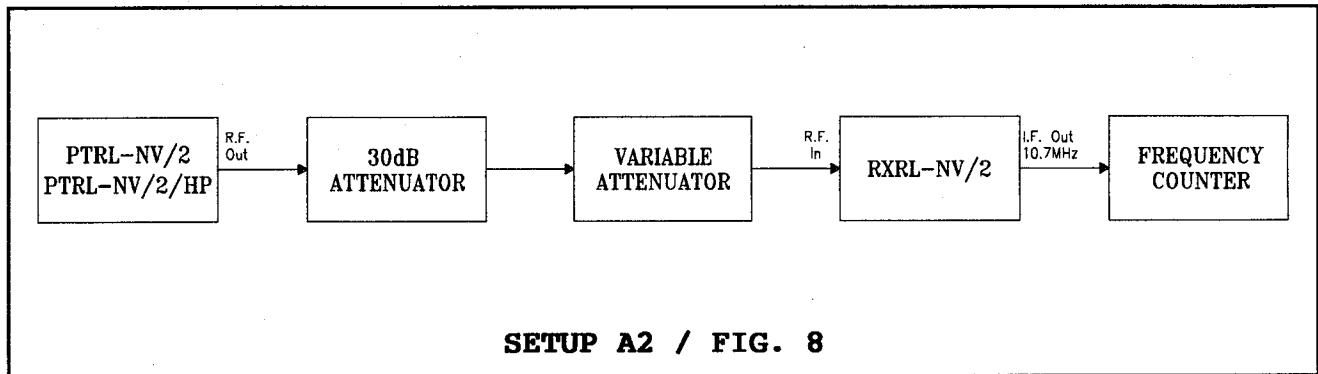
The operating frequency of the complete radio link (TX+RX) is set using a frequency meter to measure the frequency output by the transmitter and the frequency after the second conversion of the receiver. It is recommended to align both units (TX and RX) at the same time and with the same frequency meter, preferably on of high precision (eg. $\pm 0.2\text{ppm}$).

A difference of >2 KHz between the transmitter's center frequency and that of the receiver (measured at the intermediate frequency of 10.7MHz) will result in degradation of audio quality and stereo separation. To perform this alignment, carry out the following procedure (SETUP A1 and A2):

- 1) Connect the transmitter as shown in SETUP A1 (Fig.7).



- 2) Switch on the transmitter and wait until it has locked to its operating frequency i.e. the UNLOCK light goes out.
- 3) Connect a 30dB attenuator between the R.F. Output and 50 Ohm and Frequency Counter.
- 4) Use the meter selector to select direct power measurement, FWD. Check that maximum output power.
- 5) Using the frequency meter, check the output frequency of the transmitter and adjust as necessary with capacitors C68 and C69 situated on the Main card.
- 6) Connect the two units (TX and RX) as shown in SETUP A2 (Fig.8).



- 7) Adjust the variable attenuator for a value dependent from the transmitter's output power (Table E).

TABLE E

POWER OUTPUT	ATTENUATION	30dB ATTENUATOR	VALUE OF VARIABLE ATTENUATOR
1W	83 dB	30 dB	53 dB
2W	86 dB	30 dB	56 dB
5W	90 dB	30 dB	60 dB

Note : The attenuation values, above mentioned, are used to obtain a -53dBm signal on the receiver's R.F. Input

- 8) Connect the counter to the IF 10.7MHz output and check that the frequency corresponds to this value, adjusting as necessary with capacitors C27 and C28 situated on the Synthesizer card for a frequency of 10.700MHz ±2KHz.

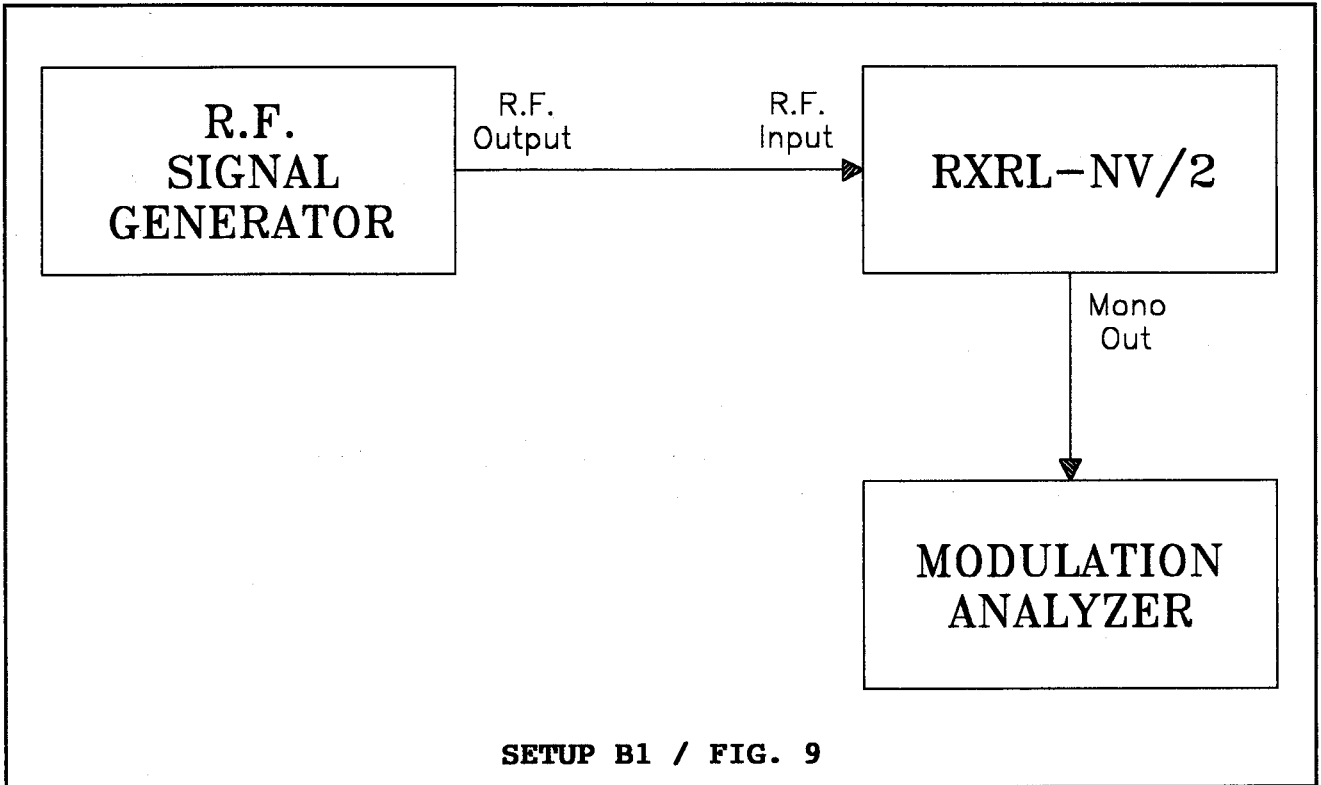
6.3 MEASUREMENT OF RECEIVER S/N RATIO

The mono S/N (signal to noise) ratio is measured at the output of the receiver by feeding it with a 400Hz modulating signal (±100KHz deviation) and comparing the output with the same output, under the same conditions, in the absence of the modulating signal, across the 30Hz/20KHz band.

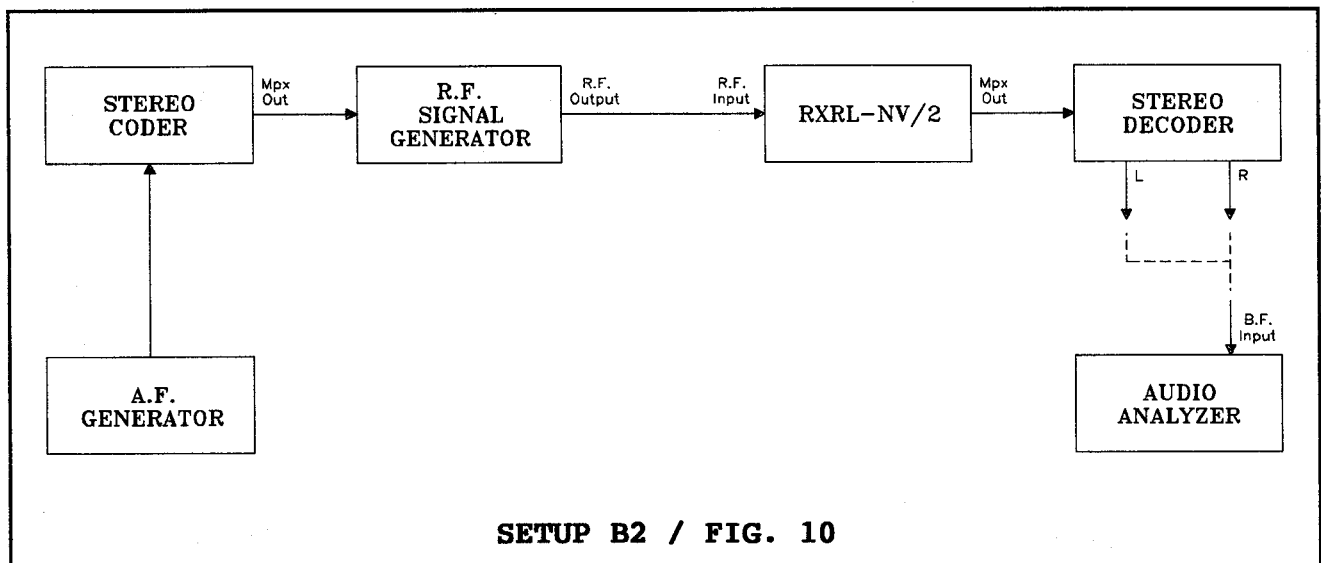
In the case of stereo modulation, the S/N ratio will be measured on single channels (left and right) decoded and de-emphasized.

Both mono and stereo measurements should be taken having configured the unit according to SETUP B1 and B2 and carrying out the following procedure:

- 1) Connect the instruments as shown in SETUP B1 (Fig.9) to make the MONO measurement.



- 2) Generate an R.F. carrier at operating frequency and -67dBm; modulate the carrier with a 400Hz tone with a $\pm 100\text{KHz}$ deviation. Inject the resultant R.F. signal into the receiver input.
- 3) Using the FAM modulation analyzer, check that the S/N ratio of the RXRL-NV/2 receiver is better than 65dB, referred to a deviation of $\pm 100\text{KHz}$.
- 4) Connect the instruments as shown in SETUP B2 (Fig.10) to make the STEREO measurement.



- 5) Adjust the signal generator output for a level of 1mV (the carrier and deviation will remain constant).

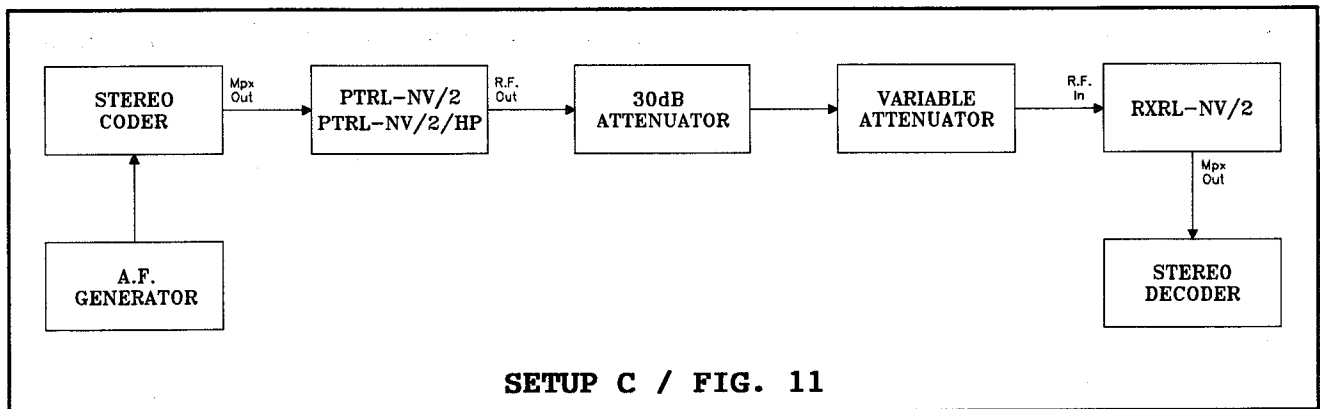
- 6) Use the modulation analyzer to make the S/N measurement and check that the figure is better than 60dB for the RXRL-NV/2 receiver.

6.4 STEREO SEPARATION

Stereo separation is measured using a stereo coder, a stereo demodulator and an audio analyzer.

The figure is obtained from the ratio of the left and right channel outputs with only the left (or only right) channel modulated, for frequencies between 30Hz and 15KHz.

To make this measurement, configure the unit according to SETUP C (Fig.11) and carry out the following procedure:



- 1) Adjust the variable attenuator for a value dependent from the transmitter's output power (Table E).

<i>TABLE E</i>			
POWER OUTPUT	ATTENUATION	30dB ATTENUATOR	VALUE OF VARIABLE ATTENUATOR
1W	83 dB	30 dB	53 dB
2W	86 dB	30 dB	56 dB
5W	90 dB	30 dB	60 dB

Note : The attenuation values, above mentioned, are used to obtain a -53dBm signal on the receiver's R.F. Input

- 2) Adjust the signal generator for an output level of -10dBm at the right input (and subsequently the left) of the stereo coder.
- 3) Check that the reading from the output of the stereo decoder is better or equal to 40dB (both at 400Hz and 10KHz).
- 4) Repeat the operation for both channels with a modulating tone of 400Hz and 10KHz. The maximum difference should be ±3dB.

6.5 CHANGING FREQUENCY

There are two different procedures for changing frequency, depending on the new frequency to be selected:

CASE A - Should the new frequency fall within the range of receiver's R.F. Power Amplifier Stage (and relative receiver's Front-End/Mixer)

CASE B - Should the new frequency fall outside the range of receiver's R.F. Power Amplifier Stage (and relative receiver's Front-End/Mixer)

CASE A

Should the new frequency fall within the range of receiver's R.F. Power Amplifier Stage (and relative receiver's Front-End/Mixer), the following procedure should be carried out:

TRANSMITTER

- 1) Select the new frequency with the UP (9 Fig.1) and DOWN (7 Fig.1) buttons and confirm it with the ENTER (8 Fig.1) key.

RECEIVER

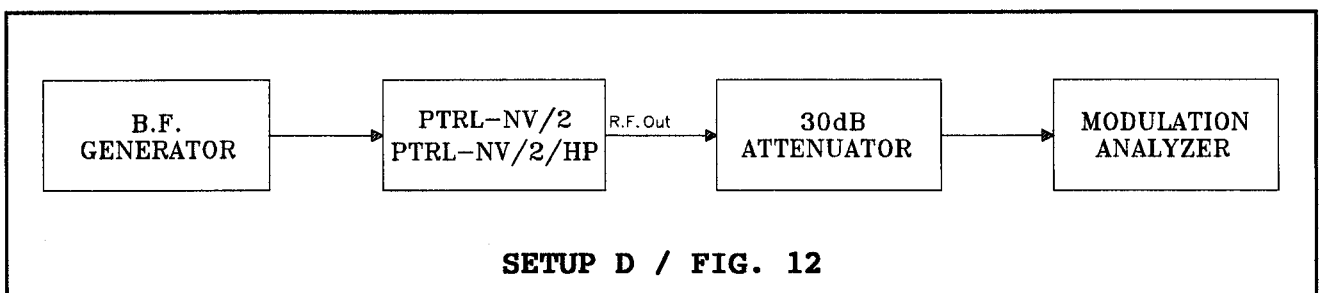
- 1) Select the new frequency with the UP and DOWN buttons and confirm it with the ENTER key.
- 2) Select the SIGNAL measurement using the selector of analogic meter and confirmed by the corresponding green led.
- 3) Calibrate the R.F. Cavity, situated on the receiver, for the maximum R.F. signal, checking against the corresponding reading on the receiver's meter (maximum R.F. signal displayable = -47dBm).

CASE B

Should the new frequency fall outside the range of receiver's R.F. Power Amplifier Stage (and relative receiver's Front-End/Mixer), it's necessary that this procedure should only be carried out by factory, in that errors can cause serious damage to equipment and will automatically nullify the warranty.

6.7 TRANSMITTER AUDIO DEVIATION AND DISTORTION FIGURES

To make this measurement, configure the unit according to SETUP D (Fig.12) and carry out the following procedure:



- 1) Adjust the signal generator for a signal level of -10dBm (0dBm for American versions) at the MONO and STEREO inputs.

- 2) Configure the modulation analyzer to read deviation.
- 3) Check that the deviation reading for the PTRL-NV/2 (PTRL-NV/2/HP) is 100KHz and if not, adjust trimmer R8 (inside the VCO) to obtain it.
(Do this step for both MONO and STEREO inputs).
- 4) Configure the audio analyzer to read distortion (with 50 μ S de-emphasis for European version and 75 μ S for American version).
- 5) Check that the distortion figure is better than 0.1% with low-pass and high-pass filters of 20KHz and 30Hz respectively, for both MONO and STEREO inputs.

INDICE

Istruzioni Preliminari ed Informazioni di Garanzia	Pag. 53
Regole di Sicurezza	Pag. 55

CAPITOLO 1

Descrizione Generale	Pag. 58
Specifiche Elettriche (Tabella A)	Pag. 60
Specifiche Dimensionali e Ambientali (Tabella B)	Pag. 62

CAPITOLO 2

Descrizione Elettrica	Pag. 63
Descrizione della Vista del Pannello Frontale	Pag. 67
Vista Pannello Frontale (Fig.1)	Pag. 69
Descrizione della Vista del Pannello Posteriore	Pag. 70
Vista Pannello Posteriore (Fig.2)	Pag. 72
Descrizione della Vista dall'Alto del PTRL-NV/2 1W	Pag. 73
Vista dall'Alto del PTRL-NV/2 1W (Fig.3A)	Pag. 74
Descrizione della Vista dall'Alto del PTRL-NV/2 2W	Pag. 75
Vista dall'Alto del PTRL-NV/2 2W (Fig.3B)	Pag. 76
Descrizione della Vista dall'Alto del PTRL-NV/2/HP	Pag. 77
Vista dall'Alto del PTRL-NV/2/HP (Fig.3C)	Pag. 78
Diagramma a Blocchi del PTRL-NV/2 1W (Fig.4A)	Pag. 79
Diagramma a Blocchi del PTRL-NV/2 2W (Fig.4B)	Pag. 80
Diagramma a Blocchi del PTRL-NV/2/HP (Fig.4C)	Pag. 81

CAPITOLO 3

Procedure d'Installazione	Pag. 82
Strumentazione Consigliata per i Test (Tabella C)	Pag. 86

CAPITOLO 4

Operazioni di Manutenzione	Pag. 87
----------------------------	---------

CAPITOLO 5

Procedure per la Taratura	Pag. 91
---------------------------	---------

CAPITOLO 6

Allineamento del Ponte Radio	Pag. 96
------------------------------	---------

APPENDICE A

Circuiti Elettrici, Liste Componenti e Piani di Montaggio	Pag. 102
Connessioni delle Schede del PTRL-NV/2 1W	Pag. 103
Connessioni delle Schede del PTRL-NV/2 2W	Pag. 104
Connessioni delle Schede del PTRL-NV/2/HP	Pag. 105
Main Card	Pag. 106
V.C.O.	Pag. 114
Power Supply	Pag. 119
1W R.F. Power Amplifier	Pag. 130
2W R.F. Power Amplifier	Pag. 135
5W R.F. Power Amplifier	Pag. 139
CON-PA Card	Pag. 144
Low Pass Filter del 1W R.F. Power Amplifier	Pag. 148
Doubler	Pag. 152
Modmeter Card	Pag. 156
Anameter Card	Pag. 161
C.P.U.	Pag. 169
Inverter Card (Optional)	Pag. 178
U.S.A. Audio Input Card (Optional)	Pag. 182

ISTRUZIONI PRELIMINARI E INFORMAZIONI DI GARANZIA

Si prega di osservare le necessarie precauzioni di sicurezza quando si usa questa apparecchiatura.

Questa macchina presenta al suo interno correnti pericolose e alte tensioni.

Questo manuale è stato concepito per fornire una guida generale per coloro che hanno necessità di avere una conoscenza preliminare di questo tipo di macchina. Esso non intende quindi fornire una guida completa di tutte le regole di sicurezza che dovrebbero essere osservate dal personale durante l'uso di questa o altre apparecchiature elettroniche.

R.V.R. non assume la responsabilità per lesioni o danni causati da procedure errate o da un uso improprio da parte di personale non addestrato o non qualificato all'uso di questa unità.

Si prega osservare le norme locali e regole antincendio durante l'uso di questa macchina.

ATTENZIONE: disconnettere sempre l'alimentazione prima di aprire coperchi o rimuovere qualsiasi parte di questa apparecchiatura. Usare appropriate procedure di messa a terra per scaricare i condensatori e i punti di alta tensione prima di qualsiasi manutenzione.

Qualsiasi danno all'apparecchiatura causato dal trasporto deve essere segnalato al corriere e scritto sulla ricevuta di spedizione. Qualsiasi differenza o danno scoperto dopo la consegna, dovrà essere riferito all' R.V.R. entro cinque (5) giorni dalla consegna.

R.V.R. estende al cliente utente finale tutte le garanzie originali di fabbricazione che sono trasferibili e tutti i reclami devono essere fatti direttamente all'R.V.R. secondo procedure prestabilite.

Tutte le garanzie di fabbricazione saranno trattenute dall'R.V.R. per assicurare un'assistenza precisa e veloce dove possibile.

R.V.R. non sarà responsabile per qualsiasi danno di qualsiasi natura, a causa o in relazione all'uso del prodotto.

La garanzia R.V.R. non include:

- 1) Spedizione della macchina all'R.V.R. per la riparazione
- 2) Qualsiasi modifica o riparazione non autorizzata
- 3) Danni incidentali/causati non dovuti a difetti della macchina
- 4) Difetti nominali non incidentali
- 5) Costi di spedizione o di assicurazione della macchina o sostituzione di parti o unità

La garanzia entrerà in vigore dalla data di fattura per il periodo di garanzia di costruzione.

Per reclamare i propri diritti con questa garanzia:

- a. Contattare il rivenditore o il distributore dove avete acquistato la macchina. Descrivere il problema e chiedere se è in grado di fornirvi una facile soluzione. Rivenditori e Distributori sono in grado di fornire tutte le informazioni relative ai problemi che possono presentarsi e normalmente possono riparare la macchina più velocemente di quello che potrebbe fare la casa costruttrice. Molto spesso errori di installazione vengono scoperti dai rivenditori.
- b. Se il vostro rivenditore non può aiutarvi, contattare l'R.V.R. in Bologna e esporre il problema. Se viene stabilito di rispedire la macchina alla fabbrica, l'R.V.R. vi spedisce una regolare autorizzazione con tutte le necessarie istruzioni per la restituzione della merce.
- c. Quando avete ricevuto l'autorizzazione, potete restituire la macchina. Imballarla con molta attenzione per la spedizione, preferibilmente usando l'imballo originale e sigillare l'imballo perfettamente. Il cliente assume sempre il rischio di perdita (es., l'R.V.R. non è mai responsabile per danni o perdita), finché l'imballo non raggiunge la sede dell'R.V.R.. Per questo motivo, vi consigliamo di assicurare la merce per il valore intero. La spedizione deve essere effettuata C.I.F. (PREPAID) all'indirizzo specificato dall'R.V.R. sull'autorizzazione.

NON RESTITUIRE LA MACCHINA SENZA LA NOSTRA AUTORIZZAZIONE IN QUANTO POTREBBE ESSERE RIFIUTATA.

Assicurarsi di allegare una diagnosi tecnica scritta dove sono elencati tutti i problemi riscontrati e una copia della vostra fattura originale che mostra la data di decorrenza della garanzia.

La sostituzione di parti in garanzia può essere richiesta al seguente indirizzo. Assicurarsi di allegare il modello della macchina e il numero di serie come pure la descrizione della parte e il suo numero di codice.

R.V.R. Elettronica S.r.l.

- Broadcasting Equipment -

Via del Fonditore, 2/2c

40138 Bologna - Italy

La società R.V.R. si riserva il diritto di apportare modifiche al progetto e alle specifiche della macchina in questo manuale senza alcun preavviso.

ATTENZIONE!

Le correnti e le tensioni presenti in questo dispositivo sono pericolose, il personale deve osservare sempre le norme di sicurezza.

Questo manuale rappresenta una guida generale per il personale addestrato e qualificato che è consapevole dei pericoli inerenti al trattamento potenzialmente rischioso dei circuiti elettrici ed elettronici.

Esso non si propone di contenere una relazione completa di tutte le precauzioni di sicurezza che devono essere osservate dal personale che utilizza questo o altri dispositivi.

L'installazione, il funzionamento, la manutenzione e l'impiego di questo dispositivo implica rischi sia per il personale che per il dispositivo stesso, il quale deve essere utilizzato solo da personale qualificato esercitando la dovuta attenzione.

La società R.V.R. ELETTRONICA s.r.l. non sarà responsabile per lesioni o danni risultanti da procedure improprie o dall'uso di personale inesperto o non correttamente addestrato all'adempimento di tali mansioni.

Durante l'installazione e il funzionamento di questo dispositivo, devono essere osservate le regole antincendio e i codici di costruzione locali.

ATTENZIONE!

Disconnettere sempre l'alimentazione prima di aprire i coperchi, i pannelli o le protezioni. Usare sempre strumenti isolati prima dell'utilizzo. Non eseguire mai regolazioni interne, operazioni di manutenzione o di servizio quando si è soli o quando si è stanchi.

Non rimuovere cortocircuiti o blocchi con interruttori interbloccanti su coperchi d'accesso, chiusure, pannelli e protezioni.

Tenersi lontano dai circuiti sotto tensione, imparare a conoscere il dispositivo e non prendere rischi.

ATTENZIONE!

In caso di emergenza assicurarsi che l'alimentazione sia stata disconnessa.

Trattamento degli shock elettrici

- 1) Se la vittima ha perso conoscenza seguire i principi di primo soccorso riportati nei punti A-B-C.

POSIZIONARE LA VITTIMA SDRAIATA SULLA SCHIENA SU UNA SUPERFICIE RIGIDA

A VIE AEREE

SE NON COSCIENTE,
APRIRE LE VIE AEREE



SOLLEVARE IL COLLO
SPINGERE INDIETRO LA FRONTE
APRIRE LA BOCCA SE NECESSARIO
CONTROLLARE LA RESPIRAZIONE

B RESPIRAZIONE

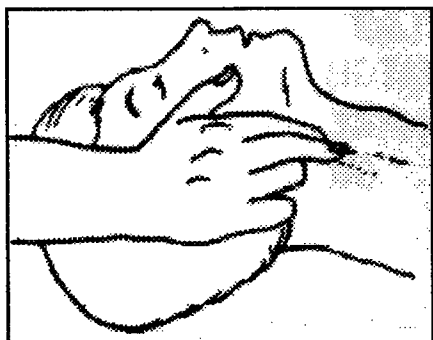
SE NON RESPIRA,
INIZIARE LA RESPIRAZIONE
ARTIFICIALE



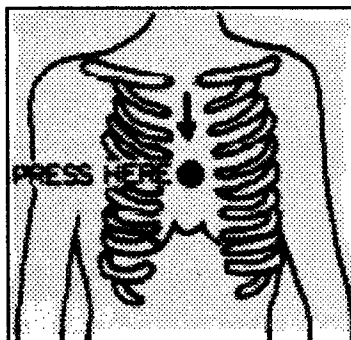
INCLINARE LA TESTA
CHIUDERE LE NARICI
FARE ADERIRE LA BOCCA A
QUELLA DELLA VITTIMA
PRATICARE 4 RESPIRAZIONI
VELOCI
RICORDARSI DI INIZIARE
IMMEDIATAMENTE LA
RESPIRAZIONE

C CIRCOLAZIONE

CONTROLLARE IL BATTITO CARDIACO COMPRIMERE LO STERNO DA 1 1/2" A 2"

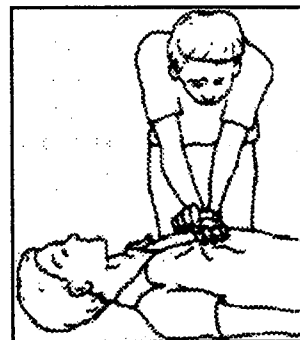


IN ASSENZA DI BATTITO,
INIZIARE IL MASSAGGIO
CARDIACO



APPROS. 80 SEC. : 1 SOCCORRITORE, 15 COMPRESSIONI,
2 RESPIRAZIONI VELOCI.

APPROS. 60 SEC. : 2 SOCCORRITORI, 5 COMPRESSIONI,
1 RESPIRAZIONE.



N.B.: NON INTERROMPERE IL RITMO DI COMPRESSIONE QUANDO LA SECONDA PERSONA STA ESEGUENDO LA RESPIRAZIONE ARTIFICIALE.

Chiamare un medico il prima possibile.

- 2) Se la vittima è cosciente:
- coprire la vittima con una coperta.
 - tranquillizzare la vittima.
 - slacciare gli abiti (sistemare la vittima in posizione coricata).

PRIMO SOCCORSO

Il personale impegnato nell'installazione, nel funzionamento, nella manutenzione o assistenza di questo dispositivo ha la necessità di avere familiarità con la teoria e le pratiche di primo soccorso.

La relazione seguente non rappresenta una guida completa delle procedure di primo soccorso, ma è solo un riassunto che deve essere usato come riferimento.

E' compito di tutto il personale che usa questo dispositivo essere pronto a prestare un adeguato soccorso e perciò prevenire evitabili decessi.

TRATTAMENTO DELLE USTIONI ELETTRICHE

- 1) Vaste ustioni e tagli della pelle.
 - a. Coprire l'area con un lenzuolo o un panno pulito.
 - b. Non rompere le vesciche, rimuovere il tessuto, rimuovere le particelle di vestito che si sono attaccate alla pelle, applicare una pomata adatta.
 - c. Trattare la vittima come richiede il tipo di shock.
 - d. Trasportare la vittima in ospedale il più velocemente possibile.
 - e. Se braccia o gambe sono state colpite, tenerle sollevate.

NOTA BENE

Se l'aiuto medico non è disponibile prima di un'ora e la vittima è cosciente e non ha sforzi di vomito, somministrargli una soluzione liquida di sale e soda: 1 cucchiaino pieno di sale e mezzo cucchiaino di bicarbonato di sodio ogni 250 ml d'acqua (ne' caldo ne' freddo). Permettere alla vittima di sorseggiare lentamente per circa 4 volte (1/2 bicchiere) per un periodo di 15 minuti. Interrompere se si verificano sforzi di vomito. (Non dare alcool).

- 2) Ustioni meno gravi (1° e 2° grado).
 - a. Applicare compresse di garza fredde (non ghiacciate) usando un panno il più possibile pulito.
 - b. Non rompere le vesciche, rimuovere il tessuto, rimuovere le particelle di vestito che si sono attaccate alla pelle, applicare una pomata adatta.
 - c. Mettere se necessario abiti puliti e asciutti.
 - d. Trattare la vittima come richiede il tipo di shock.
 - e. Trasportare la vittima all'ospedale il più velocemente possibile.
 - f. Se braccia o gambe sono state colpite, tenerle sollevate.

CAPITOLO 1

DESCRIZIONE GENERALE

1.1 DESCRIZIONE ESTERNA

Il PTRL-NV/2 ed il PTRL-NV/2/HP sono realizzati in un contenitore rack 19" 2U, internamente assemblati con moduli collegati tra loro con connettori ad innesto, montati e fissati sul fondo della macchina. Ciò consente una facile rimozione e sostituzione dei moduli stessi. Nel pannello frontale sono presenti le regolazioni di potenza d'uscita, del livello d'ingresso audio e misuratori di parametri fondamentali di funzionamento.

Sul pannello posteriore si trovano i connettori d'ingresso rete e uscita RF.

1.2 DESCRIZIONE ELETTRICA

Il PTRL-NV/2 ed il PTRL-NV/2/HP sono trasmettitori per ponti radio ad alta fedeltà, il primo fornibile con una potenza d'uscita di 1W o 2W, mentre il secondo con una di 5W.

Questi trasmettitori controllati da un microprocessore, sono sintetizzati con step 100KHz nel range 1400-2600MHz. Tale range è diviso in sottobande da 50MHz.

La frequenza di lavoro è garantita da un oscillatore di riferimento compensato in temperatura e mantenuta da un sistema PLL (Phase Locked Loop). Il trasmettitore raggiunge l'aggancio in frequenza in un tempo massimo di trenta secondi dall'accensione.

Lo stadio finale di potenza è protetto da un qualsiasi livello di VSWR. Inoltre è presente un filtro passa-basso a 15KHz inseribile sull'ingresso MONO o MPX.

1.3 MISURATORI E INDICATORI

I parametri di funzionamento del trasmettitore sono verificabili tramite il multimetro analogico (15 Fig.1) e il display a barra di led (19 Fig.1) presenti sul pannello frontale.

Le misure effettuate con il multimetro analogico sono identificate dall'indicatore a led (11 Fig.1) e selezionabili tramite il relativo comando (10 Fig.1).

Tramite il display a barra di led (19 Fig.1) è possibile leggere il picco di deviazione con una risoluzione di 6.66KHz.

Il display centrale (20 Fig.1) a cinque cifre indica la frequenza di lavoro selezionabile tramite i comandi UP (9 Fig.1) e DOWN (7 Fig.1) e memorizzabile con il comando ENTER (8 Fig.1).

Sono presenti tre led di allarme che indicano il non aggancio del VCO (14 Fig.1), un eccesso di onde stazionarie in uscita (12 Fig.1) e il blocco del ponte da parte di un computer remoto (13 Fig.1).

1.4 CONTROLLO REMOTO (OPTIONAL)

E' possibile equipaggiare il PTRL-NV/2 ed il PTRL-NV/2/HP con una porta seriale DB9 in modo da poter variare la frequenza di lavoro a distanza ed inibire la potenza di uscita.

1.5 SPECIFICHE DELL'APPARATO

Fare riferimento alla Tabella (A) per le caratteristiche elettriche e alla Tabella (B) per quelle dimensionali e ambientali.

TABELLA A

SPECIFICHE ELETTRICHE

Alimentazione A.C.	117 o 230V, $\pm 10\%$ 50-60Hz, singola fase, 47W
Raffreddamento	Ventilazione forzata
Frequenza di Lavoro	da 1400 a 2600MHz in sottobande di 50MHz
Potenza di Uscita	1W - versione PTRL-NV/2 2W - versione PTRL-NV/2 5W - versione PTRL-NV/2/HP
Impedenza dell'Uscita R.F.	50 Ohm
Connettore d'Uscita R.F.	Connettore di tipo "N"
Soppressione delle Armoniche	maggiore di 55dB a norme FCC e CCIR
Preenfasi	75 μ Sec per le norme FCC 50 μ Sec per le norme CCIR
Impedenza d'Ingresso Audio Mono	600 Ohm, 1 BNC sbilanciato
Livello d'Ingresso Audio	-10dBm nominali per ± 100 KHz di deviazione, a 400Hz
Risposta Audio in Frequenza	± 0.5 dB, da 30Hz a 15KHz
Rapporto S/N FM Mono	migliore di -67dB, ± 100 KHz di deviazione a 400Hz misurati in RMS nella banda da 30Hz a 20KHz
Distorsione Armonica Mono Totale	migliore di 0.1%
Impedenza d'Ingresso MPX	10 KOhm, 1 BNC sbilanciato
Distorsione Arminica Composita Totale	migliore di 0.3%
Rapporto S/N FM Stereo	migliore di -67dB, ± 100 KHz di deviazione a 400Hz

Risposta d'Ampezza MPX $\pm 0.5\text{dB}$, da 30Hz a 100KHz

Separazione Stereo maggiore di 40dB

Ingressi Opzionali con Livello Audio 0dbm

Impedenza d'Ingresso SCA 0dBm nominale, per $\pm 10\text{KHz}$ di deviazione

Livello d'Ingresso SCA 0dBm nominale, per $\pm 10\text{KHz}$ di deviazione

Risposta in Ampiezza SCA $\pm 0.5\text{dB}$, da 40KHz a 100KHz

TABELLA B

SPECIFICHE DIMENSIONALI E AMBIENTALI

Dimensioni del Rack	82 mm (3.22") H 326 mm (12.83") D 445 mm (17.51") W
Dimensioni del Pannello	483 mm (19") W 88 mm (3.47") H
Temperatura di Lavoro	da -10°C a +50°C
Umidità	Massimo 95%, senza condensa
Peso	circa 9 Kg

CAPITOLO 2

DESCRIZIONE ELETTRICA

2.1 INTRODUZIONE

Questa sezione descrive in maniera complessiva la teoria di funzionamento del PTRL-NV/2 e del PTRL-NV/2/HP.

Per comodità descrittiva, l'apparato è stato suddiviso in sottoinsiemi che saranno discussi in maniera approfondita di seguito.

Il diagramma a blocchi è rappresentato dalla Fig.4A per la versione PTRL-NV/2 1W, dalla Fig.4B per la versione PTRL-NV/2 2W e dalla Fig.4C per la versione PTRL-NV/2/HP.

2.2 POWER SUPPLY

Questo circuito è costituito da due schede fissate su due dissipatori montate perpendicolarmente tra loro e fissate sul fondo della macchina (8 Fig.3A-3B-3C).

L'alimentatore fornisce le tensioni stabilizzate necessarie al funzionamento dei vari moduli che compongono il PTRL-NV/2 ed il PTRL-NV/2/HP.

La tensione di rete dopo un filtraggio "EMI" viene trasformata in valori di tensioni più bassi, che rettificati e filtrati vengono stabilizzati in: +5V, +12V, +15V, -15V e ad una tensione variabile da 2V a 15V.

Il valore +5V alimenta la scheda della CPU, la Modmeter card, l'Anameter card 1 e 2 e il duplicatore, la tensione variabile 2V/15V alimenta il driver e lo stadio finale del R.F. Power Amplifier dello stesso modulo.

Un sistema di limitazione della potenza d'uscita interviene quando si ha un eccesso di onde stazionarie. I valori delle tensioni e delle correnti di funzionamento dello stadio finale sono disponibili sul multimetro analogico.

2.3 MAIN CARD

La Main card (12 Fig.3A-3B-3C) è situata nella parte sinistra del fondo dell'apparato.

In questa scheda un oscillatore controllato in tensione (VCO), posto all'interno di un contenitore metallico, genera il segnale pari alla metà della frequenza di funzionamento impostata. Il segnale audio, proveniente dai due connettori MONO e STEREO posti sul pannello frontale, viene amplificato e quindi iniettato nel VCO. Nel circuito PLL presente sulla scheda, la frequenza di lavoro del VCO, dopo un'opportuna divisione, viene comparata ad una frequenza di riferimento ottenuta tramite un quarzo a 4MHz racchiusa in un PTC che ne salvaguarda la stabilità da variazioni di temperatura. La tensione di errore, successivamente filtrata, viene utilizzata per garantire la stabilità della frequenza del VCO. La situazione di non aggancio viene segnalata dall'apposito indicatore posto sul pannello anteriore.

Il segnale viene poi inviato al duplicatore di frequenza che lo trasla a 2GHz.

2.4 1W-2W R.F. POWER AMPLIFIER

Lo stadio di potenza è racchiuso in un contenitore metallico totalmente schermato e fissato nella parte centrale del fondo della macchina (4 Fig.3A-3B).

Nella versione PTRL-NV/2 1W il segnale RF proveniente dal duplicatore di frequenza viene amplificato dallo stadio finale fino a 1W, in seguito il segnale uscente dal finale attraversa un filtro passa-basso sterno, che provvede all'eliminazione delle emissioni armoniche.

Nella versione PTRL-NV/2 2W il segnale RF proveniente dal duplicatore di frequenza giunge allo stadio pilota (1W) e viene amplificato dallo stadio finale fino a 2W, in seguito il segnale uscente dallo stadio finale 2W attraversa un filtro passa basso, contenuto nel finale 2W, che provvede all'eliminazione delle emissioni armoniche.

In entrambe le versioni un accoppiatore direzionale provvede alla lettura della potenza diretta e riflessa dal carico, tali segnali vengono poi inviati all'alimentatore per gli opportuni controlli.

La lettura della potenza diretta viene anche riportata sulla scheda anameter per consentire la visualizzazione sullo strumento analogico presente sul pannello frontale.

2.5 5W R.F. POWER AMPLIFIER

Lo stadio di potenza è montato su un dissipatore che provvede alla dissipazione del calore generato ed è racchiuso in un contenitore metallico totalmente schermato e fissato nella parte centrale del fondo della macchina (4 Fig.3C).

Il segnale RF proveniente dal duplicatore di frequenza, a livello di circa 5mW, giunge allo stadio pilota (MGF0904-MGF0905) e viene amplificato dallo stadio finale (MGF0906) fino a circa 5W.

Il segnale uscente dallo stadio finale passa attraverso un filtro passa-basso che provvede all'eliminazione delle emissioni armoniche.

Un accoppiatore direzionale provvede alla lettura della potenza diretta e riflessa dal carico, tali segnali vengono poi inviati all'alimentatore per gli opportuni controlli.

La lettura della potenza diretta viene anche riportata sulla scheda anameter per consentire la visualizzazione sullo strumento analogico presente sul pannello frontale.

2.6 CPU

La CPU è racchiusa in un contenitore metallico e fissata sul pannello frontale in posizione centrale (2 Fig.3A-3B-3C).

Questo circuito converte il numero corrispondente alla frequenza selezionata in codice binario, che viene inviato ai divisori programmabili del PLL per permettere l'aggancio del VCO alla frequenza voluta.

Attraverso una porta seriale DB9 si rende possibile il controllo remoto di alcuni parametri del trasmettitore.

In caso di mancanza di alimentazione, una memoria non volatile l'ultima frequenza impostata a tempo indeterminato.

2.7 MODMETER

Questa scheda (1 Fig.3A-3B-3C) è montata sul lato sinistro del pannello anteriore.

Il circuito provvede alla visualizzazione della deviazione audio (modulato dal VCO), raddrizzando il segnale audio che viene iniettato sulla Main card.

La scheda presenta due connettori audio, uno per il segnale mono e uno per quello stereo.

Un interruttore permette di selezionare il guadagno del misuratore a due livelli (10% e 100%) per ottenere una misura più precisa per i bassi livelli di deviazione (es: SCA, RDS, tono pilota MPX).

Un altro interruttore seleziona la visualizzazione in modo a barra o a punto. La visualizzazione viene effettuata tramite 14 led verdi e 6 led rossi, ottenendo una scala al 100%, 130KHz fondo scala (100KHz al primo led rosso), 6,66KHz/Led e nella scala al 10% 0.66 KHz/led.

2.8 ANAMETER

Il circuito è costituito da due schede e uno strumento analogico fissati sul lato destro del pannello anteriore (5 Fig.3A-3B-3C).

Questo circuito provvede alla visualizzazione dei vari parametri di funzionamento del trasmettitore: tensioni e correnti interne, potenza diretta,

Queste misure vengono selezionate tramite un comando a levetta e indicate dalla dicitura scritta al fianco del led verde acceso.

Queste misure vanno effettuate utilizzando le varie scala serigrafate sullo strumento:

MISURA	SCALA	FONDO SCALA
TENSIONI INTERNE	V	30V
CORRENTI INTERNE	A	6A
POTENZA DIRETTA	W	2.5W (Versione 1W-2W)
POTENZA DIRETTA	W	10W (Versione 5W)

La lettura della potenza diretta è da considerarsi attendibile solo quando l'apparato eroga potenza su un carico adattato di 50 Ohm

In questa scheda sono presenti anche i due led rossi di segnalazione d'allarme, i cui segnali provengono, dalla Main card per il led "UNLOCK", e dall'alimentazione per il led "SWR" (l'allarme di SWR è disabilitato in quanto lo stadio finale è in grado di sopportare condizioni di ROS infinito).

Inoltre sono presenti: il led verde d'accensione e l'interruttore generale di alimentazione.

2.9 DOUBLER

Questa scheda è montata sul lato sinistro della macchina, in posizione centrale (13 Fig.3A-3B-3C).

Il circuito duplica la frequenza dell'uscita del VCO ad un livello di circa 9-10dBm, indi l'uscita viene fornita all'ingresso dello stadio R.F. di potenza.

DESCRIZIONE DEL PANNELLO FRONTALE (Fig.1)

1	REG. MONO	Trimmer di regolazione del livello d'ingresso MONO
2	MONO	Connettore BNC d'ingresso del segnale MONO
3	REG. STEREO	Trimmer di regolazione del livello d'ingresso STEREO
4	STEREO	Connettore BNC d'ingresso del segnale STEREO
5	10%-100%	Espansione della scala dello strumento di modulazione Pos. 10% - il primo led rosso 10% Pos. 100% - il primo led rosso 100%
6	LPF\15KHz	Interruttore per l'inserimento di un filtro passa-basso 30Hz-15KHz
7	DOWN	Controllo della frequenza sul display. Ogni momentanea pressione causa il decremento di 10KHz della frequenza sul display
8	ENTER	Provoca la memorizzazione della frequenza all'interno della CPU. Una volta impostata, la frequenza rimane memorizzata fino a che una nuova frequenza non viene confermata sul pannello frontale (anche se la macchina rimane spenta per parecchi giorni)
9	UP	Controlla la frequenza nello stesso modo del pulsante "DOWN", ottenendo un incremento
10	SELETTORE METER	Ad ogni pressione sul selettore si accenderà un led relativo alla misura di un parametro differente
11	LEDS	Indicatore luminoso che indica quale parametro del trasmettitore è visualizzato sullo strumento analogico
12	ALLARME SWR	L'allarme di SWR è disabilitato in quanto lo stadio finale è in grado di sopportare condizioni di ROS infinito

13	REMOTE	Indicatore che mostra se il trasmettitore è controllato a distanza
14	UNLOCK	Questo indicatore si accenderà quando il VCO non è agganciato alla frequenza di riferimento. La potenza d'uscita in queste condizioni scenderà a zero
15	METER	<p>Strumento analogico usato per visualizzare i parametri del trasmettitore come:</p> <p>+15V +12V +5V Potenza Diretta * EXT 24V VPA IPA AFC</p> <p>* La lettura della potenza è da considerarsi attendibile <u>solo</u> quando il trasmettitore eroga potenza su un carico adattato di 50 Ohm</p>
16	ON	Questo led indica che il trasmettitore è acceso
17	POWER	ON/OFF interruttore per l'accensione e lo spegnimento del trasmettitore
18	BAR/DOT	Selettore del modo (BAR/DOT) per l'indicatore di modulazione
19	MODULATION	Barra di leds per la misura di deviazione
20	FREQUENCY DISPLAY	Indicatore di frequenza
21	PWR ADJ	Trimmer per la regolazione della potenza di uscita del trasmettitore

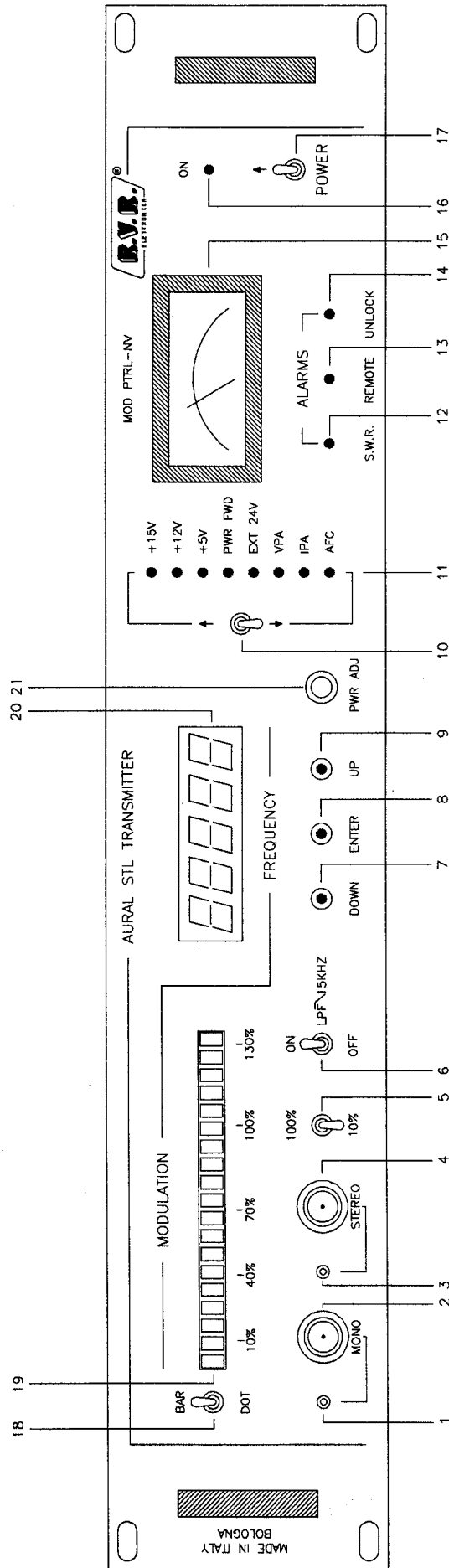


FIG. 1

DESCRIZIONE DEL PANNELLO POSTERIORE (Fig.2)

- | | | | | | | | | | | | | | | | | | | | | |
|-------|--------------------------------------|--|-------|--------------|-------|-----|-------|-----|-------|-------|-------|-----|-------|-------|-------|--------|-------|--------|-------|--------------|
| 1 | PLUG | Presa di alimentazione | | | | | | | | | | | | | | | | | | |
| 2 | BLOCCO FUSIBILI e
CAMBIA TENSIONE | Blocco fusibili e cambia tensioni. Usare un piccolo cacciavite per cambiare fusibile o tensione.
Girare il blocco e posizionarlo sulla tensione di funzionamento desiderata. | | | | | | | | | | | | | | | | | | |
| 3 | REMOTE CONTROL (Optional) | <p>Connettore DB9 per il controllo a distanza del trasmettitore.
La velocità di trasmissione è di 1200 Baud.
Su richiesta, può essere regolata a 300, 600 o 2400Baud. Il software di controllo può essere fornito su floppy disk da 3 1/2" o 5 1/4" per computer IBM @ o compatibili.</p> <table border="0" style="margin-left: 20px;"> <tr><td>PIN 1</td><td>Non connesso</td></tr> <tr><td>PIN 2</td><td>TXD</td></tr> <tr><td>PIN 3</td><td>RXD</td></tr> <tr><td>PIN 4</td><td>DSR *</td></tr> <tr><td>PIN 5</td><td>GND</td></tr> <tr><td>PIN 6</td><td>DTR *</td></tr> <tr><td>PIN 7</td><td>CTS \$</td></tr> <tr><td>PIN 8</td><td>RTS \$</td></tr> <tr><td>PIN 9</td><td>Non connesso</td></tr> </table> <p>* DSR e DTR sono connessi insieme
\$ CTS e RTS sono connessi insieme</p> | PIN 1 | Non connesso | PIN 2 | TXD | PIN 3 | RXD | PIN 4 | DSR * | PIN 5 | GND | PIN 6 | DTR * | PIN 7 | CTS \$ | PIN 8 | RTS \$ | PIN 9 | Non connesso |
| PIN 1 | Non connesso | | | | | | | | | | | | | | | | | | | |
| PIN 2 | TXD | | | | | | | | | | | | | | | | | | | |
| PIN 3 | RXD | | | | | | | | | | | | | | | | | | | |
| PIN 4 | DSR * | | | | | | | | | | | | | | | | | | | |
| PIN 5 | GND | | | | | | | | | | | | | | | | | | | |
| PIN 6 | DTR * | | | | | | | | | | | | | | | | | | | |
| PIN 7 | CTS \$ | | | | | | | | | | | | | | | | | | | |
| PIN 8 | RTS \$ | | | | | | | | | | | | | | | | | | | |
| PIN 9 | Non connesso | | | | | | | | | | | | | | | | | | | |
| 4 | MORSETTO ROSSO (Optional) | Morsetto positivo per l'alimentazione esterna a 24V | | | | | | | | | | | | | | | | | | |
| 5 | MORSETTO NERO (Optional) | Morsetto negativo per l'alimentazione esterna a 24V | | | | | | | | | | | | | | | | | | |
| 6 | VENTOLA | Ventola per il raffreddamento dello stadio di amplificazione di potenza e per lo stadio di alimentazione | | | | | | | | | | | | | | | | | | |
| 7 | R.F. TEST -30dB | Connettore R.F. Test a -30dB
(non utilizzato) | | | | | | | | | | | | | | | | | | |
| 8 | INGRESSO AUDIO U.S.A.
(Optional) | Ingresso audio U.S.A. per telemetria | | | | | | | | | | | | | | | | | | |
| 9 | EXT. REF. IN. | Connettore di ingresso per segnale di riferimento esterno (non utilizzato) | | | | | | | | | | | | | | | | | | |

- | | | |
|----|-------------|---|
| 10 | INTERLOCK | Connettore BNC che permette di porre il trasmettitore in stand by, mettendo a massa il contatto centrale, in caso di avarie del trasmettitore |
| 11 | R.F. OUTPUT | Connettore di Uscita del trasmettitore, connettore di tipo "N" (50 Ohm) |

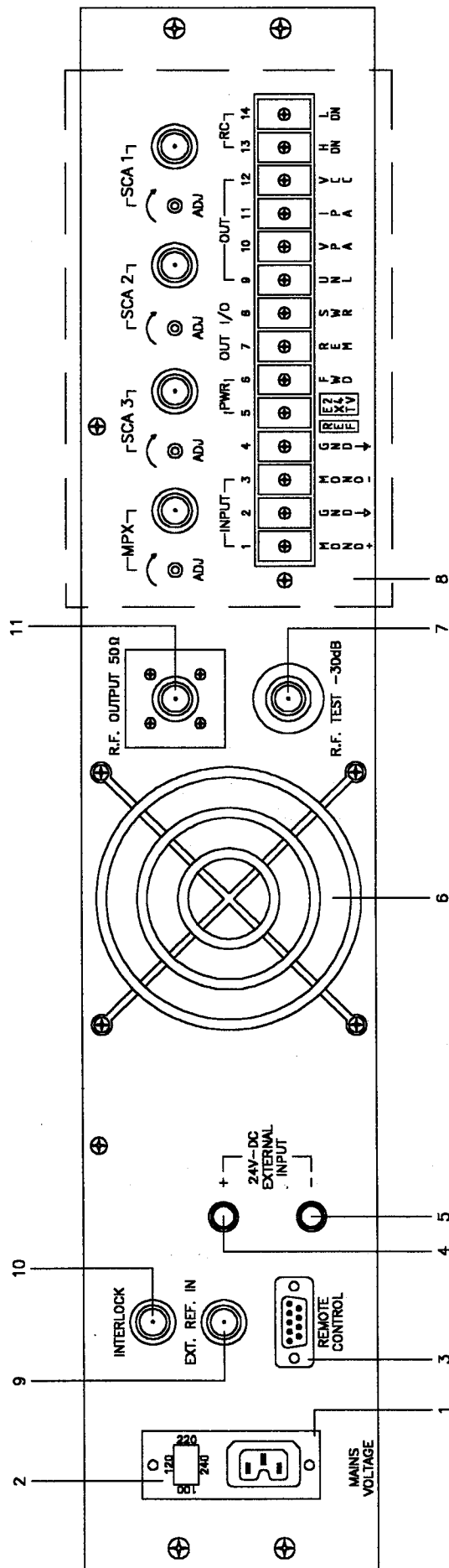


FIG. 2

DESCRIZIONE DELLA VISTA DALL'ALTO DEL PTRL-NV/2 1W (Fig.3A)

1	MODMETER CARD
2	CPU
3	CON-PA CARD
4	STADIO FINALE 1W
5	ANAMETER CARD
6	TRASFORMATORE
7	PRESA D'ALIMENTAZIONE
8	STADIO ALIMENTAZIONE
9	VENTOLA
10	CONNETTORE D'USCITA R.F.
11	FILTRO PASSA BASSO
12	MAIN CARD
13	DOUBLER
14	VCO

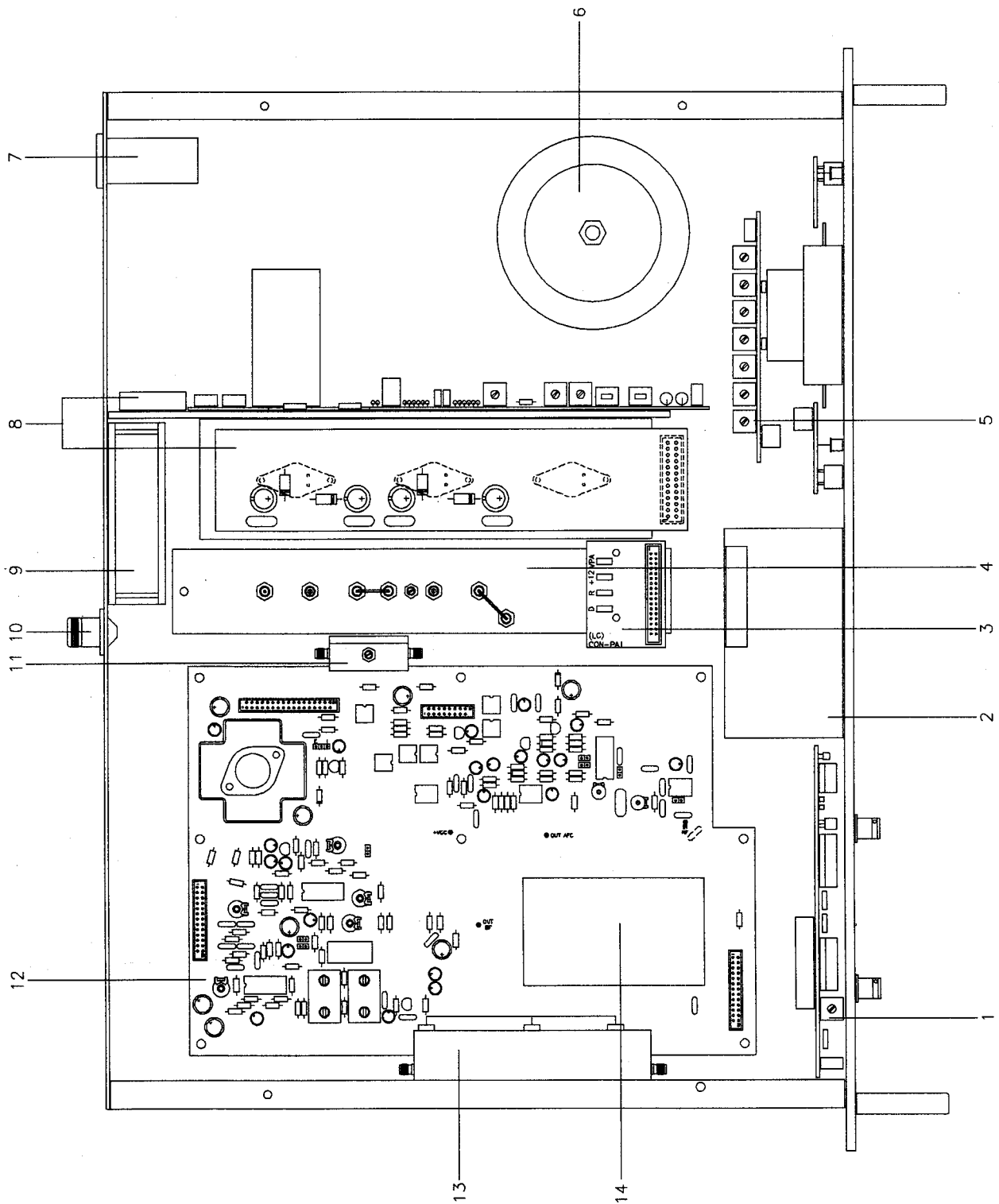


FIG. 3A

DESCRIZIONE DELLA VISTA DALL'ALTO DEL PTRL-NV/2 2W (Fig.3B)

1	MODMETER CARD
2	CPU
3	CON-PA CARD
4	STADIO DRIVER 1W
5	ANAMETER CARD
6	TRASFORMATORE
7	PRESA D'ALIMENTAZIONE
8	STADIO ALIMENTAZIONE
9	VENTOLA
10	CONNETTORE D'USCITA R.F.
11	STADIO FINALE 2W
12	MAIN CARD
13	DOUBLER
14	VCO

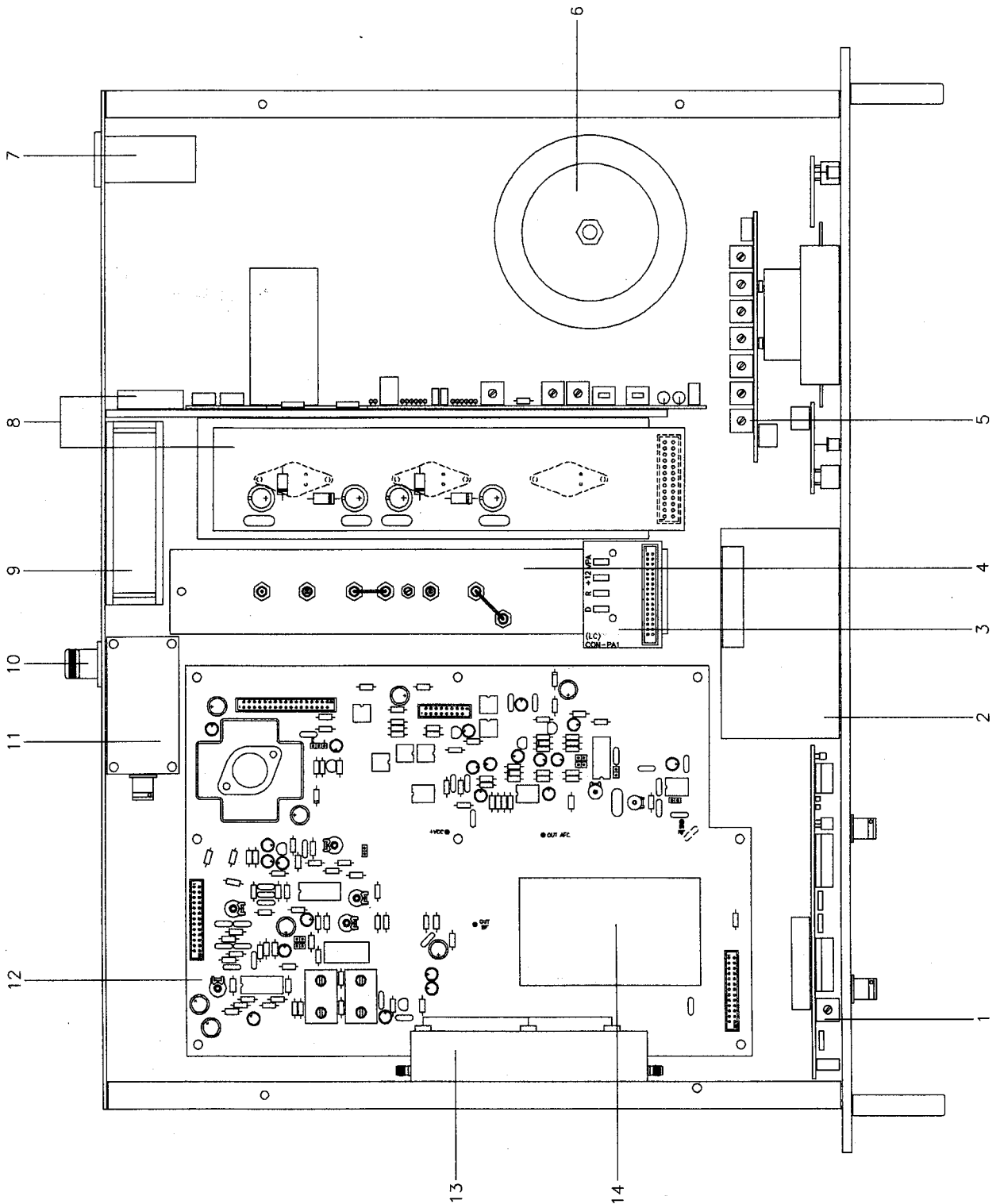


FIG. 3B

DESCRIZIONE DELLA VISTA DALL'ALTO DEL PTRL-NV/2/HP (Fig.3C)

1	MODMETER CARD
2	CPU
3	CON-PA CARD
4	STADIO FINALE 5W
5	ANAMETER CARD
6	TRASFORMATORE
7	PRESA D'ALIMENTAZIONE
8	STADIO ALIMENTAZIONE
9	VENTOLA
10	CONNETTORE D'USCITA R.F.
11	MAIN CARD
12	DOUBLER
13	VCO

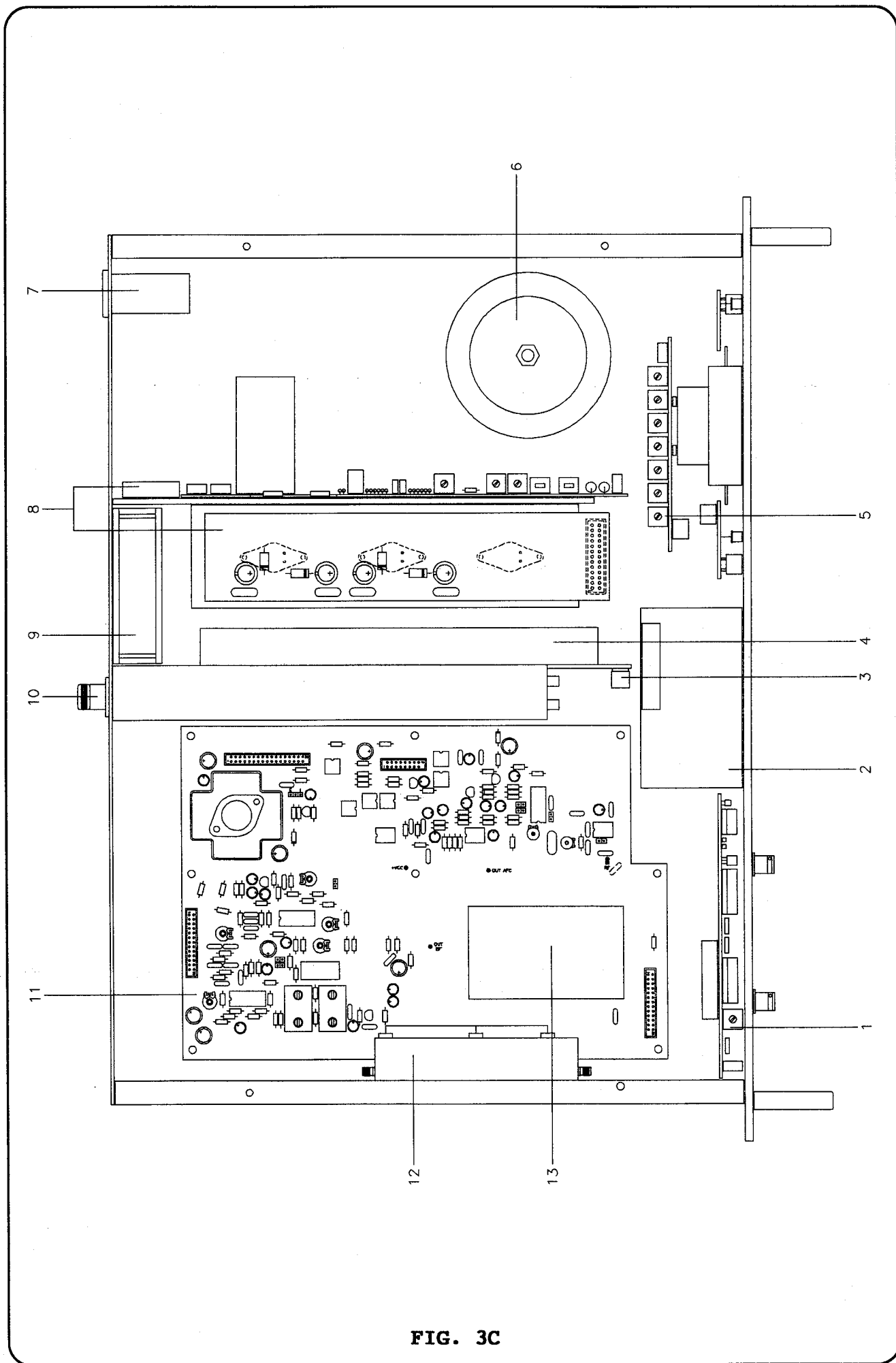


FIG. 3C

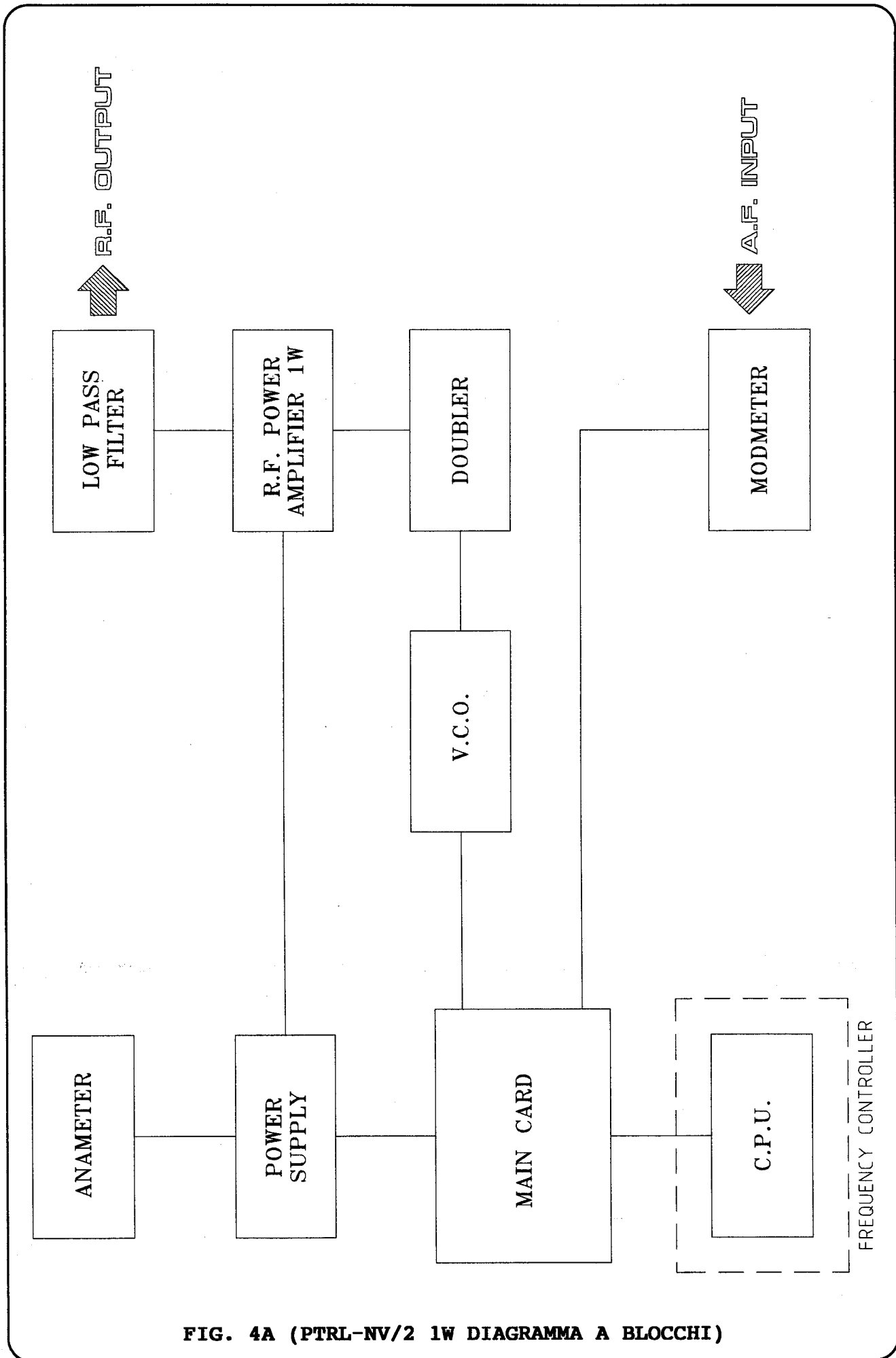


FIG. 4A (PTRL-NV/2 1W DIAGRAMMA A BLOCCHI)

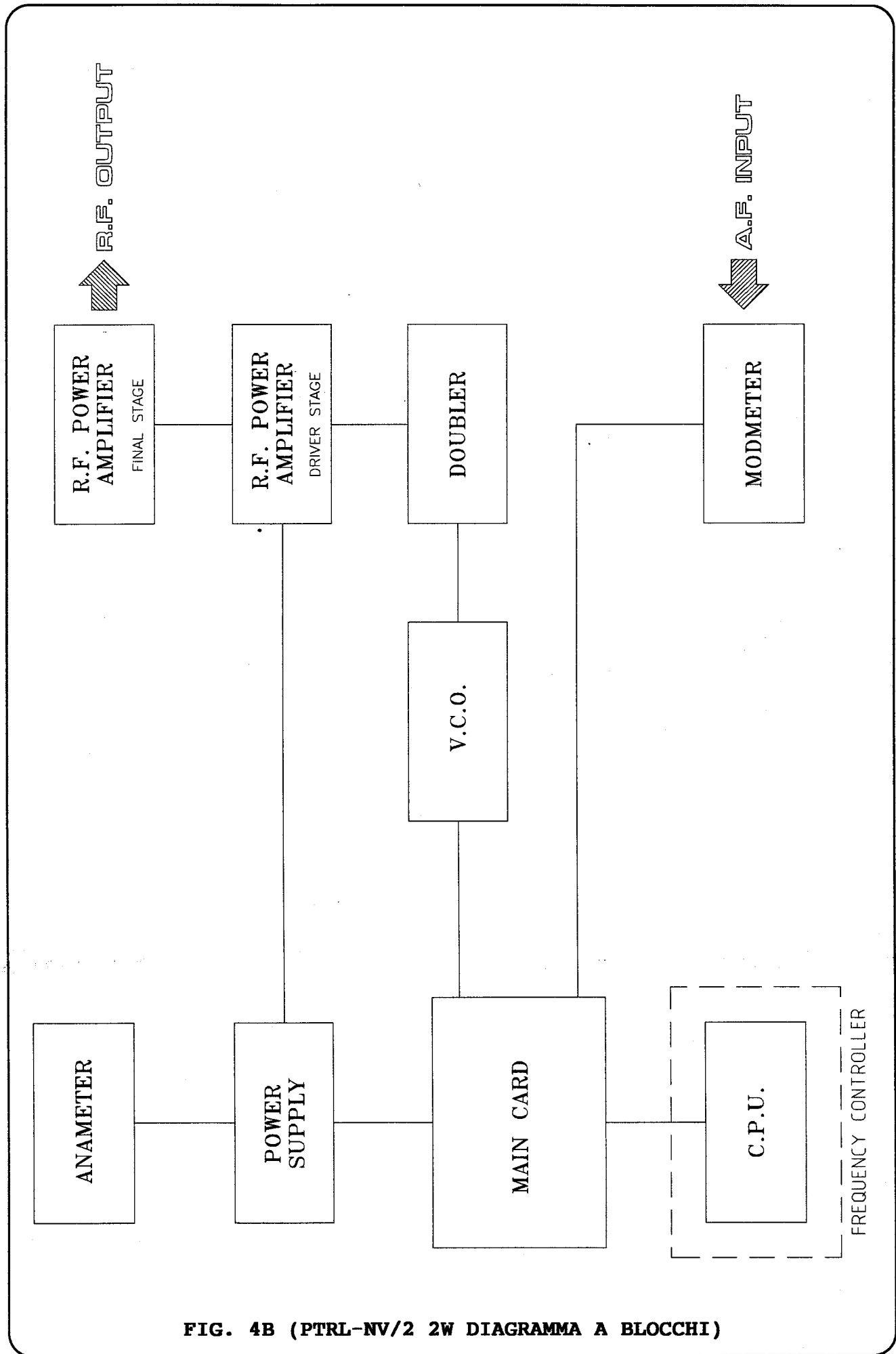


FIG. 4B (PTRL-NV/2 2W DIAGRAMMA A BLOCCHI)

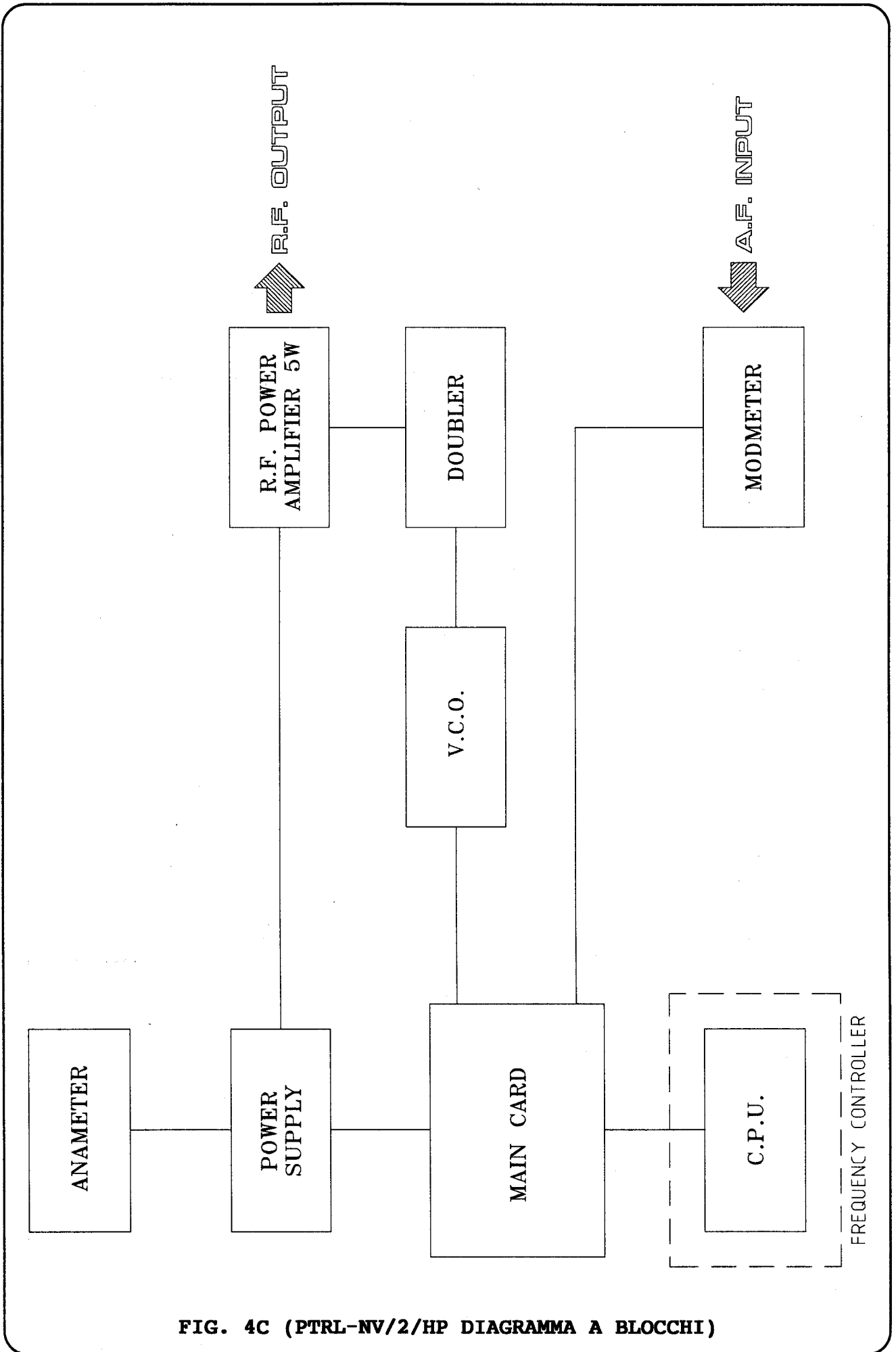


FIG. 4C (PTRL-NV/2/HP DIAGRAMMA A BLOCCHI)

CAPITOLO 3

INSTALLAZIONE

3.1 INTRODUZIONE

Questo capitolo contiene le informazioni necessarie per l'installazione ed il controllo preliminare dei trasmettitori per ponti radio PTRL-NV/2 e PTRL-NV/2/HP.

3.2 DISIMBALLAGGIO

Togliere dall'imballo l'apparecchiatura e prima di iniziare qualsiasi operazione, controllare che l'apparato non abbia subito danni durante il trasporto e quindi tutti i comandi presenti sul pannello anteriore e posteriore siano utilizzabili.

3.3 INSTALLAZIONE

- 1) Questi trasmettitori hanno la possibilità di funzionare con quattro differenti tensioni di alimentazione:

100, 120, 220 o 240Vac, a 50-60Hz.

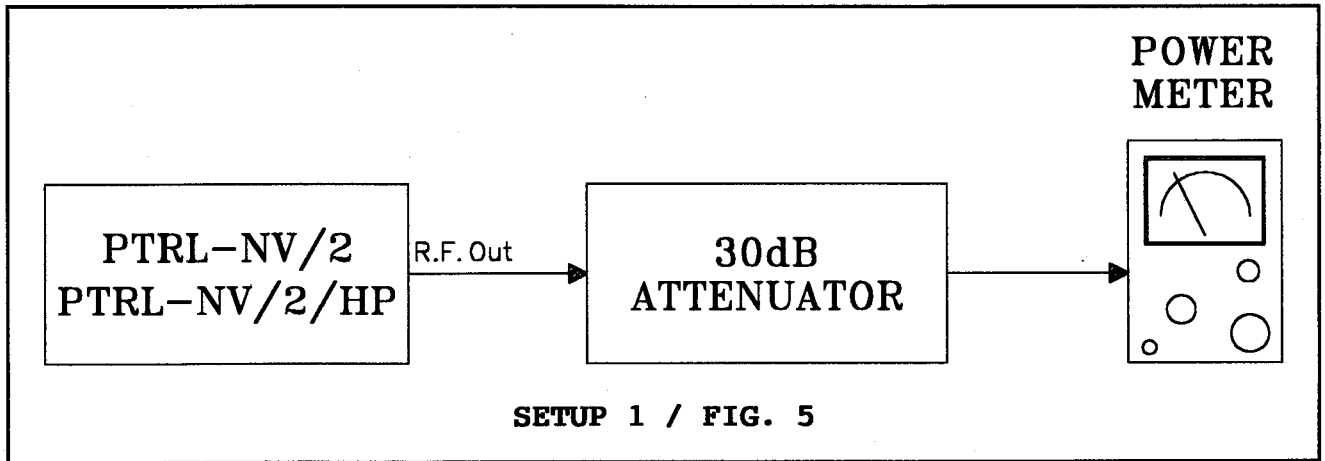
La prima operazione da effettuare è pertanto quella di selezionare la giusta tensione di alimentazione tramite il selettore posto sul pannello posteriore: eventualmente con un cacciavite sollevare il cappuccio (2 Fig.2) su cui sono stampati i valori di tensione e ruotarlo fino a che il valore che interessa corrisponda con la freccetta e quindi reinserirlo.

Verificare inoltre la presenza e l'integrità del fusibile contenuto nel cappuccio stesso.

I valori in Ampère di tale fusibile sono di seguito riassunti:

220-230V - 2A
100-120V - 3,1A

- 2) Connettere all'uscita RF (11 Fig.2) posta nel pannello posteriore un attenuatore 30dB con in serie un Power Meter, al fine di verificare la corretta indicazione del wattmetro interno del trasmettitore (SETUP 1/Fig.5/Pag.83).
- 3) Collegare alla presa posteriore INTERLOCK (10 Fig.2) un cavo alla cui estremità sia connesso un interruttore in grado di creare un corto circuito tra schermo e centrale, e posizionarlo in modo da ottenere questo corto circuito.
- 4) Posizionare l'interruttore di accensione su OFF (17 Fig.1)
- 5) Connettere il cavo di rete nell'apposita vaschetta VDE (1 Fig.2).



N.B. è indispensabile che l'impianto sia provvisto di messa a terra per l'incolumità dell'operatore e per un corretto funzionamento all'apparato.

- 6) Porre l'interruttore di accensione su ON e controllare l'accensione della spia verde POWER ON (16 Fig.1), della spia rossa UNLOCK (14 Fig.1) e della spia verde relativa alla selezione dei parametri interni PWR/FWD (11 Fig.1).
 Dopo qualche secondo si accenderà il display centrale (20 Fig.1) che indicherà un numero (es. 1790.0): tale valore corrisponde all'ultima frequenza impostata.
 Entro 30 sec. si dovrà verificare lo spegnimento del led rosso UNLOCK: questo indica che l'oscillatore è agganciato sulla frequenza di lavoro impostata.
 Il display è composto di cinque cifre, di cui una sempre alla destra del punto decimale che rappresenta le centinaia di KHz, mentre sulla sinistra vi sono quattro cifre che rappresentano (dal punto verso sinistra), la prima le unità di MHz, la seconda le decine di MHz, la terza le centinaia di MHz e la quarta le migliaia di MHz.
 Per cambiare tale valore agire sui pulsanti UP (9 Fig.1) o DOWN (7 Fig.1) per portare l'apparato sulla nuova frequenza.
 Raggiunto il nuovo valore, premere il pulsante ENTER (8 Fig.1) per confermare tale valore.
 Contemporaneamente alla pressione del tasto ENTER (se la frequenza si discosta dall'ultima confermata) si avrà l'accensione della spia UNLOCK che sta ad indicare che il VCO si sta spostando sulla nuova frequenza. Se il tasto ENTER non viene premuto, il display lampeggerà con il valore ultimo quattro volte riportandosi poi nuovamente sul precedente valore.

N.B. Durante tutte le operazioni precedentemente descritte e non confermate con la pressione del tasto ENTER, la macchina continua a funzionare regolarmente sulla frequenza di lavoro confermata per ultima.

Da notare che la pressione UP e DOWN, se esercitata in maniera impulsiva (cioè con pressioni molto veloci), comporta uno spostamento di una cifra in più o in meno alla destra del display (centinaia di KHz), mentre una pressione più prolungata fa scorrere velocemente in più o in meno tale cifra e di conseguenza tutte le altre.

Inoltre, quando il display raggiunge uno dei due valori estremi della banda di frequenza, esso salta sull'estremo opposto continuando lo scorrimento nella direzione relativa al pulsante premuto.

Es. Range 1750-1800

Premendo il pulsante UP	1799.9-1800.0-1750.0-1750.1
Premendo il pulsante DOWN	1750.1-1750.0-1800.0-1799.9

Dopo circa 1,5 min. dall'avvenuto aggancio del PLL, il display si spegne automaticamente, per riaccenderlo preme ENTER.

- 7) Dopo avere verificato l'avvenuto aggancio sulla frequenza prescelta tramite lo spegnimento della spia UNLOCK, azionare l'interruttore esterno relativo al cavo INTERLOCK al fine di rimuovere il corto circuito fra massa e centrale; ora è stata abilitata la potenza di uscita, che dovrà corrispondere a circa 1W per la versione PTRL-NV/2 1W (2W per la versione PTRL-NV/2 2W e 5W per la versione PTRL-NV/2/HP).

Per effettuare questa lettura sincerarsi nuovamente che il led PWR/FWD sia acceso ed eventualmente agire sul pulsante di selezione misura (10 Fig.1) e leggere il valore sulla scala dei 2.5W (fondo scala) nel caso in cui si tratti del trasmettitore da 1W o 2W, oppure sulla scala 10W (fondo scala) nel caso in cui si tratti del trasmettitore da 5W.

- 8) Lasciando la Potenza di uscita a 1W per la versione PTRL-NV/2 1W, 2W per la versione PTRL-NV/2 2W e 5W per la versione PTRL-NV/2/HP, impostare un nuova frequenza notevolmente distante dall'ultima.

Es. : 1755.0MHz - premere ENTER: all'accensione della spia UNLOCK si dovrà avere l'azzeramento completo della potenza di uscita e solamente allo spegnimento di tale led (nuova frequenza agganciata) si riotterrà la Potenza in uscita.

- 9) Ora cortocircuitare sul INTERLOCK il centrale con la massa e si dovrà avere un azzeramento istantaneo della potenza in uscita. Riaprendo il cortocircuito, la potenza in uscita salirà gradatamente fino al valore precedente.

- 10) Verifica misuratore di deviazione.
 Porre il deviatore di selezione del fondo della scala dell'indicatore di modulazione (5 Fig.1) su 100%.
 Collegare un generatore audio a bassa distorsione agli ingressi MONO (2 Fig.1) o STEREO (4 Fig.1).
 Iniettare ora un tono a 400Hz con livello tale che sul BNC d'ingresso sia di -10dBm per la versione Europea (per quella Americana l'ampiezza del tono a 400Hz sul BNC è di 0dBm = $775\text{mV}_{\text{rms}} = 2,2\text{V}_{\text{pp}}$).
 Verificare l'accensione della barra di led (19 Fig.1) fino al primo led rosso equivalente al 100% di deviazione.
 Con il deviatore sulla posizione DOT si avrà l'accensione del solo

primo led rosso mentre sulla posizione BAR quello di tutti i led verdi e del primo led rosso.

Ora disconnettere il generatore audio e constatare lo spegnimento di tutti i led della barra (19 Fig.1).

Posizionare il comando 10%-100% (5 Fig.1) su 10% e iniettare un tono a 400Hz con ampiezza sul BNC di -30dBm (-20dBm per la versione Americana) e ripetere le operazioni precedenti.

Le operazioni vanno eseguite prima per l'ingresso MONO e poi per quello STEREO.

TABELLA C

STRUMENTAZIONE CONSIGLIATA PER I TEST

STRUMENTO	MODELLO	SPECIFICHE
Non-inductive dummy load	Bird Mod. 8080	50 Ohm P > 25W
Spectrum Analyzer	Advantest Mod. R4131D	10KHz - 3.5GHz
F.M. Modulation Meter	Rohde Schwarz Mod. F.A.M.	
Digital Multimeter	Fluke Mod. 73	
Power Meter	Hewlett Packard Mod. 435A	
Stereo Decoder	A.E.V. Mod. SMD	Stereo separation > 60dB 30Hz to 15KHz
Low Distortion A.F. generator	Krohn-Hite Mod. 4400A	THD < 0.001%
Oscilloscope	Tektronix Mod. 2247A	DC-100MHz
R.F. Generator	Rohde Schwarz Mod. SMPD	5KHz / 2720MHz
Audio Analyzer	Panasonic Mod. VP7722A	
30dB Attenuator	Hewlett Packard Mod. 8498A	Max Avg Pwr 30W
Variable Attenuator	Hewlett Packard Mod. 8496B	Attenuator 110dB Max RF Pwr 1W CW
Variable Attenuator	Hewlett Packard Mod. 8494B	Attenuator 11dB Max RF Pwr 1W CW

CAPITOLO 4

MANUTENZIONE

4.1 NORME DI SICUREZZA

ATTENZIONE ATTENZIONE ATTENZIONE ATTENZIONE ATTENZIONE ATTENZIONE

Quando il trasmettitore è in funzione, e il coperchio superiore è stato rimosso, sono presenti pericolose tensioni. Usare degli utensili isolati per qualsiasi tipo di taratura e non toccare qualsiasi componente all'interno dell'apparato quando questo è acceso.

Assicurarsi di disconnettere l'alimentazione del trasmettitore prima di effettuare qualsiasi operazione di manutenzione.

I° LIVELLO DI MANUTENZIONE

4.2 MANUTENZIONE ORDINARIA

L'unica manutenzione di cui necessita il trasmettitore è la periodica sostituzione delle ventole e relativa pulizia da tracce di polvere eventualmente accumulate al suo interno. Tale periodicità dipende dalle condizioni di funzionamento della macchina, temperatura ambiente, livello di polvere nell'aria, umidità. Si consiglia di effettuare un controllo preventivo ad intervalli di 6 mesi e di sostituire le ventole che presentassero rumore o attriti eccessivi, e comunque di provvedere alla loro sostituzione non oltre i 18 mesi.

II° LIVELLO DI MANUTENZIONE

SOSTITUZIONE DELLE SCHEDE

N.B. PER RIMONTARE LE SCHEDE E' SUFFICIENTE ESEGUIRE LE OPERAZIONI NELLA SEQUENZA INVERSA

4.3 SOSTITUZIONE DELLA MAIN CARD

- 1) Aprire il coperchio superiore della macchina.
- 2) Disconnettere i connettori CN1, CN2, CN3, CN4, CN5, CN6 e CN7.
- 3) Svitare i dadi di fissaggio della scheda.
- 4) Dissaldare il filo che collega il VCO della Main Card con il Doubler.
- 5) Estrarre la Main Card con molta cautela.

4.4 SOSTITUZIONE DELLA MODMETER CARD

- 1) Aprire il coperchio superiore della macchina.
- 2) Disconnettere il connettore CN1 che collega la Modmeter card con la Main Card.
- 3) Svitare le due viti che fissano il pannello frontale al resto della struttura.
- 4) Svitare i dadi di fissaggio degli interruttori che regolano le operazioni della Modmeter, situati sul pannello frontale.
- 5) Svitare i dadi di fissaggio, posti sul pannello frontale, dei connettori MONO e STEREO.
- 6) Sfilare la scheda con molta cautela.

4.5 SOSTITUZIONE DELLA CPU

- 1) Aprire il coperchio superiore della macchina.
- 2) Svitare le viti di fissaggio del pannello anteriore.
- 3) Svitare i dadi degli interruttori della scheda posti sul pannello frontale.
- 4) Disconnettere i connettori CN1 e CN2, che collegano rispettivamente la CPU con la Main card e con un connettore RS232 (se presente), posto sul pannello posteriore.
- 5) Svitare le viti di fissaggio della scatola metallica di protezione della CPU e rimuoverla.
- 6) Estrarre la scheda con molta cautela.

4.6 SOSTITUZIONE DELL'ANAMETER CARD

- 1) Aprire il coperchio superiore della macchina.
- 2) Svitare le due viti che fissano il pannello frontale alla struttura del trasmettitore, indi svitare il dado che fissa il Meter Switch selector al pannello frontale.
- 3) Disconnettere il connettore CN1 che collega la Anameter card con il Power Supply.
- 4) Disconnettere i faston che collegano i fili dall'alimentazione,
- 5) Svitare i dadi che fissano la scheda allo strumento di misura.
- 6) Estrarre la scheda con molta cautela.

4.7 SOSTITUZIONE DEL POWER SUPPLY

- 1) Aprire il coperchio superiore della macchina.
- 2) Disconnettere i connettori CN3 e CN4.
- 3) Svitare le viti che fissano il Power Supply al fondo della macchina.
- 4) Annotare molto accuratamente la posizione dei fili con i relativi colori.
- 5) Disconnettere i faston dei fili del trasformatore posti sul ponte di diodi, e il jumper CN2.
- 6) Estrarre il Power Supply con molta cautela

4.8 SOSTITUZIONE DEL DOUBLER

- 1) Aprire il coperchio superiore della macchina.
- 2) Disconnettere i connettori CN1 e CN2 del Doubler.
- 3) Dissaldare il filo che collega il VCO della Main Card con il Doubler.
- 4) Svitare le viti di fissaggio del Doubler.
- 5) Estrarre il Doubler.

4.9 SOSTITUZIONE DEL R.F. POWER AMPLIFIER 1W

- 1) Aprire il coperchio superiore della macchina.
- 2) Disconnettere i connettori CN1 e CN2 dello stadio finale, disconnettere il low pass filter ed infine disconnettere il connettore CN1 della scheda CON-PA.
- 3) Svitare le viti che fissano lo stadio finale al fondo della macchina.
- 4) Estrarre il blocco finale e low pass filter con molta cautela.

4.10 SOSTITUZIONE DEL R.F. POWER AMPLIFIER 2W

- 1) Aprire il coperchio superiore della macchina.
- 2) Disconnettere i connettori CN1 e CN2 dello stadio di driver ed il connettore CN1 della scheda CON-PA.
- 3) Svitare le viti che fissano lo stadio di driver al fondo della macchina e la vite che fissa al pannello posteriore lo stadio finale.

- 4) Estrarre il due blocchi, stadio driver e stadio finale, con molta cautela.

4.11 SOSTITUZIONE DEL R.F. POWER AMPLIFIER 5W

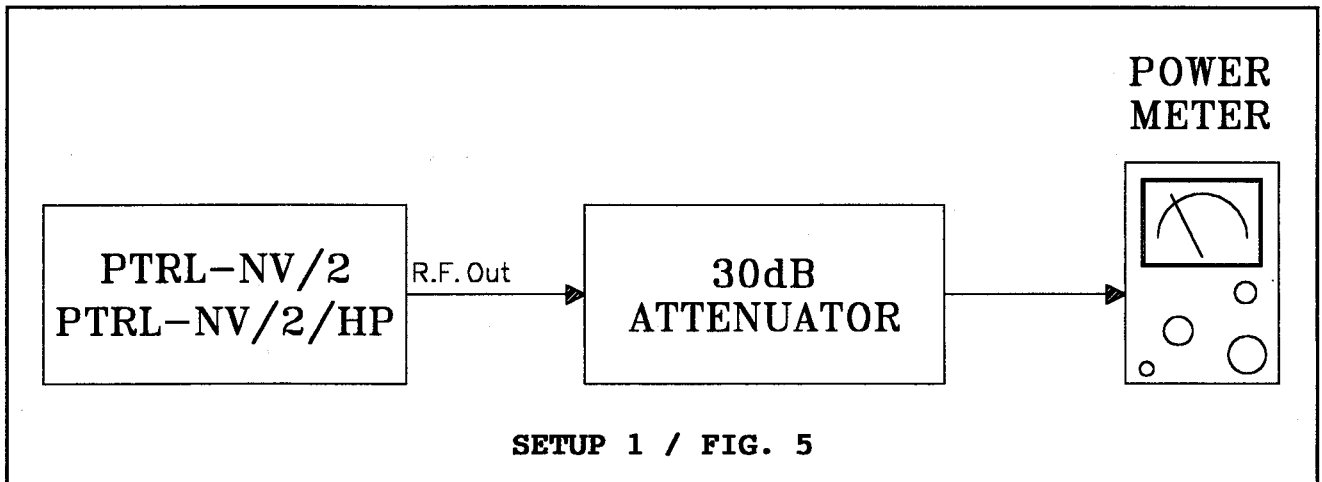
- 1) Aprire il coperchio superiore della macchina.
- 2) Disconnettere il connettore CN1 del blocco R.F. Power Amplifier ed il connettore CN1 della scheda CON-PA.
- 3) Svitare le viti che fissano lo stadio finale al fondo della macchina.
- 4) Estrarre con un movimento verso l'alto il finale.

CAPITOLO 5

TARATURA

5.1 TARATURA DEL R.F. POWER AMPLIFIER VERSIONE 1W-2W E 5W

Dopo la sostituzione dell'amplificatore eseguire le seguenti operazioni (SETUP 1 Fig.5):



- 1) Collegare un attenuatore 30dB in serie tra l'uscita del R.F. del trasmettitore ed il Power Meter.
- 2) Accendere il trasmettitore e attendere l'aggancio del PLL e la successiva uscita in potenza.
- 3) Leggere sullo strumento del Power Meter la potenza in uscita, se questa non fosse corretta, ritarare il trimmer R3 sulla scheda Power Supply per ottenere la potenza massima.
- 4) Verificare la lettura sullo strumento del trasmettitore (15 Fig.1), selezionando con il selettore (10 Fig.1) la lettura di FWD, nel caso non misurasse la potenza massima agire sul trimmer R21 sulla scheda Anameter.

ATTENZIONE

- L'allarme di SWR è disabilitato in quanto lo stadio finale è in grado di sopportare condizioni di ROS infinito.
- La lettura della potenza diretta è da considerarsi attendibile solo quando l'apparato eroga potenza su un carico adattato di 50 Ohm.

5.2 TARATURA DEL POWER SUPPLY

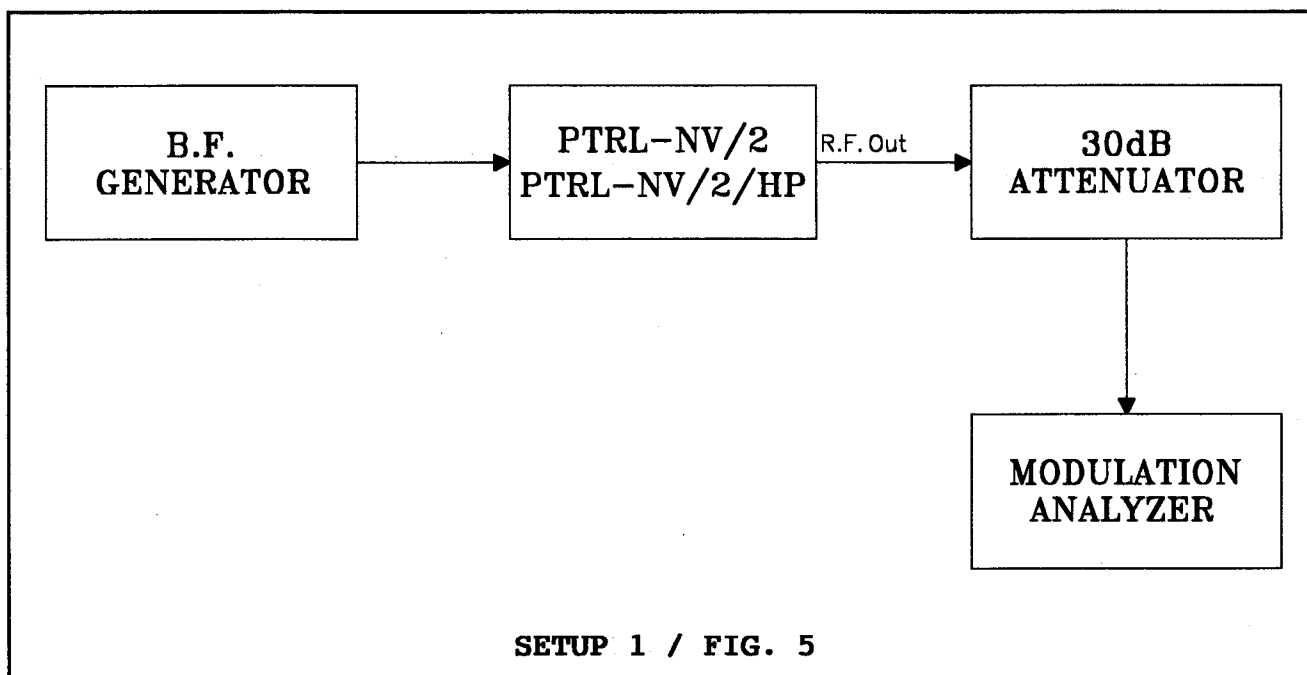
Le uniche regolazioni da effettuare dopo la sostituzione del Power

Supply sono le stesse che si hanno nel caso di sostituzione del R.F Power Amplifier.

Per la taratura seguire i punti da (1) a (4) del paragrafo "Taratura del Power Supply", in quanto sono due parti interconnesse tra loro e le uniche due regolazioni sono dipendenti una dall'altra.

5.3 TARATURA DELLA MODMETER CARD

Per questa taratura fare riferimento al SETUP 2 (Fig.6).



- 1) Collegare un attenuatore 30dB in serie tra l'uscita del R.F. del trasmettitore e l'analizzatore di modulazione.
- 2) Collegare un generatore audio agli ingressi MONO o STEREO con un segnale a 400Hz e ampiezza all'ingresso del connettore di -10dBm (0dBm per la versione Americana).
- 3) Verificare sull'analizzatore che il valore della deviazione sia di 100KHz.
- 4) Posizionare l'interruttore 10%-100% (5 Fig.1) su 100%.
- 5) Regolare il trimmer R30 sulla scheda Modmeter per l'accensione del I° led rosso (corrispondente alla scritta 100%).
- 6) Posizionare l'interruttore 10%-100% (5 Fig.1) su 10%.
- 7) Inviare un segnale a 400Hz e ampiezza all'ingresso del connettore di -30dBm (-20dBm per la versione Americana).
- 8) Regolare il trimmer R4 sulla scheda Modmeter per l'accensione del I° led rosso (corrispondente alla scritta 10%).

5.4 TARATURA DELLA MAIN CARD

Dopo aver inserito la Main Card ed i relativi connettori procedere come segue (si veda SETUP 2 Fig.6/Pag.92):

- 1) Collegare un generatore audio agli ingressi MONO o STEREO
- 2) Collegare un attenuatore 30dB in serie tra l'uscita del R.F. del trasmettitore e l'analizzatore di modulazione.
- 3) Togliere il jumper JP4 della scheda Main Card.
- 4) Inviare un tono a 400Hz a -10dBm (0dBm $775\text{mV}_{\text{rms}}$, 2.2V_{pp} per la versione Americana) all'ingresso MONO (trimmer R42 al massimo).
- 5) Posizionare su ON il selettore LPF\15KHz (6 Fig.1).
- 6) Nella versione USA, iniettare il segnale Mono a 0dBm sia sull'ingresso Mono "+" che sull'ingresso Mono "-" della morsettiera posta sul pannello posteriore.
Con il LPF\15KHz posizionato su ON e sonda sul pin 14 di U1, regolare R8 per l'annullamento del segnale (CMMR Common Mode Rejection Ratio).
Poi, iniettare il segnale Mono a 0dBm sull'ingresso Mono "+" utilizzando il Mono "-" come massa ed eseguire le tarature relative a R40 e R37.
- 7) Verificare, collegandosi con una sonda sul pin 14 di U1 (R8 metà corsa per la versione Europea) che siano presenti 8V_{pp} , in caso contrario agire su R40; posizionare su OFF il selettore (6 Fig.1) LPF\15KHz ed effettuare la stessa misura agendo ora su R37.
- 8) Predisporre l'analizzatore di modulazione per la misura di deviazione con filtri 30Hz/200KHz FM/P+ e verificare che la deviazione sia di $\pm 100\text{KHz}$. In caso contrario agire sul trimmer R8 posto nel VCO per regolare la deviazione.
- 9) Inviare un tono 400Hz a -10dBm (0dBm $775\text{mV}_{\text{rms}}$, 2.2V_{pp} per la versione Americana)
- 10) Posizionare su OFF il selettore LPF\15KHz (6 Fig.1) e collegare ora il jumper JP3 sulla Main Card.
- 11) Verificare, collegandosi con una sonda sul pin 14 di U1 (il negativo a massa) che siano presenti 8V_{pp} , in caso contrario agire su R28.
- 12) Ora scollegare JP3 e posizionarlo in JP4 verificare che siano presenti 8V_{pp} , in caso contrario agire su R35.

N.B. Il generatore audio usato in questi test deve avere una distorsione minore o uguale a 0.001%.

Effettuare queste tarature sulla frequenza di lavoro del trasmettitore.

5.5 TARATURA DELL'ANAMETER CARD

Dopo la sostituzione delle schede è necessario verificare la taratura per tutte le misure che effettua (SETUP 1 Fig.5/Pag.91):

- 1) Collegare un attenuatore 30dB in serie tra l'uscita del R.F. del trasmettitore ed il Power Meter.
- 2) Selezionare tramite il Meter selector (10 Fig.1) le misure, verificare ed eventualmente tarare secondo la seguente tabella:

MISURA	VALORE	F.S.	TRIMMER	NOTE
+15V	15V	30V	R18	
+12V	12V	30V	R17	
+5V	5V	30V	R22	
FWD	1W-2W, 5W	2.5W, 10W	R21	
EXT 24V (opt)	24V	30V	R16	1
VPA	VAR	30V	R15	2
IPA	VAR	6A	R19	3
AFC	VAR	30V	R20	4

NOTE:

- 1) Se non è presente si deve leggere 0V.
- 2) Misurare con un multimetro la tensione su VPA tra il pin Vp di Q1 (MJ3001 della scheda alimentatore) e massa e verificare lo stesso valore sullo strumento interno (con finale scollegato).
- 3) Per la misura su IPA, usare una resistenza da 10 Ohm 5W tra il pin Vp di Q1 (MJ3001 della scheda alimentatore) e massa (con finale non collegato) con un amperometro in serie e leggere il valore misurato. Tarare lo strumento dell'apparato per leggere lo stesso valore.
- 4) Misurare con un multimetro la tensione sul pin 1 di U7 sulla Main Card.

5.6 TARATURA DELLA CPU

Dopo la sostituzione verificare l'accensione dei display e il funzionamento dei pulsanti UP (9 Fig.1) e DOWN (7 Fig.1) e del tasto ENTER (8 Fig.1) impostando la frequenza di funzionamento del trasmettitore. Verificare inoltre il funzionamento della porta seriale RS232 (se presente).

Non sono necessarie altre tarature.

5.7 TARATURA DEL VCO

Per effettuare la taratura del VCO occorre eseguire le seguenti operazioni:

- 1) Collegare un voltmetro con il puntale positivo sul condensatore passante in vetro P2 (che porta al varicap) e il puntale negativo a massa.
- 2) Controllare che agli estremi del range di frequenza disponibile sulla Eprom del trasmettitore sia presente una tensione compresa tra 3.5V e 10.3V.
Verificare che alla frequenza più alta corrisponda la tensione maggiore.
- 3) In caso contrario, cioè nel caso in cui non si sia verificato l'aggancio del PLL, occorre cambiare la posizione della saldatura che mette a massa la strip line SL collegata al catodo del varicap tramite il condensatore CX.
- 4) Nel caso in cui la taratura venga effettuata a seguito di un cambio di frequenza occorrerà sostituire anche il condensatore CX, ed eventualmente l'impedenza L4, posti sulla scheda del VCO.
I valori sono indicati nella Tabella D.

<i>TABELLA D</i>		
RANGE DELLE FREQUENZE	VALORE DI CX	VALORE DI L4
1400-1700 MHz	3.3-5.6 pF	2.2 μ H
1700-2600 MHz	3.3-5.6 pF	0.22 μ H

CAPITOLO 6**PROCEDURE PER L'ALLINEAMENTO DEL PONTE RADIO****6.1 INTRODUZIONE**

Questo capitolo presenta le procedure di allineamento tra il trasmettitore PTRL-NV/2 (o PTRL-NV/2/HP) e il ricevitore RXRL-NV/2

6.2 ALLINEAMENTO IN FREQUENZA

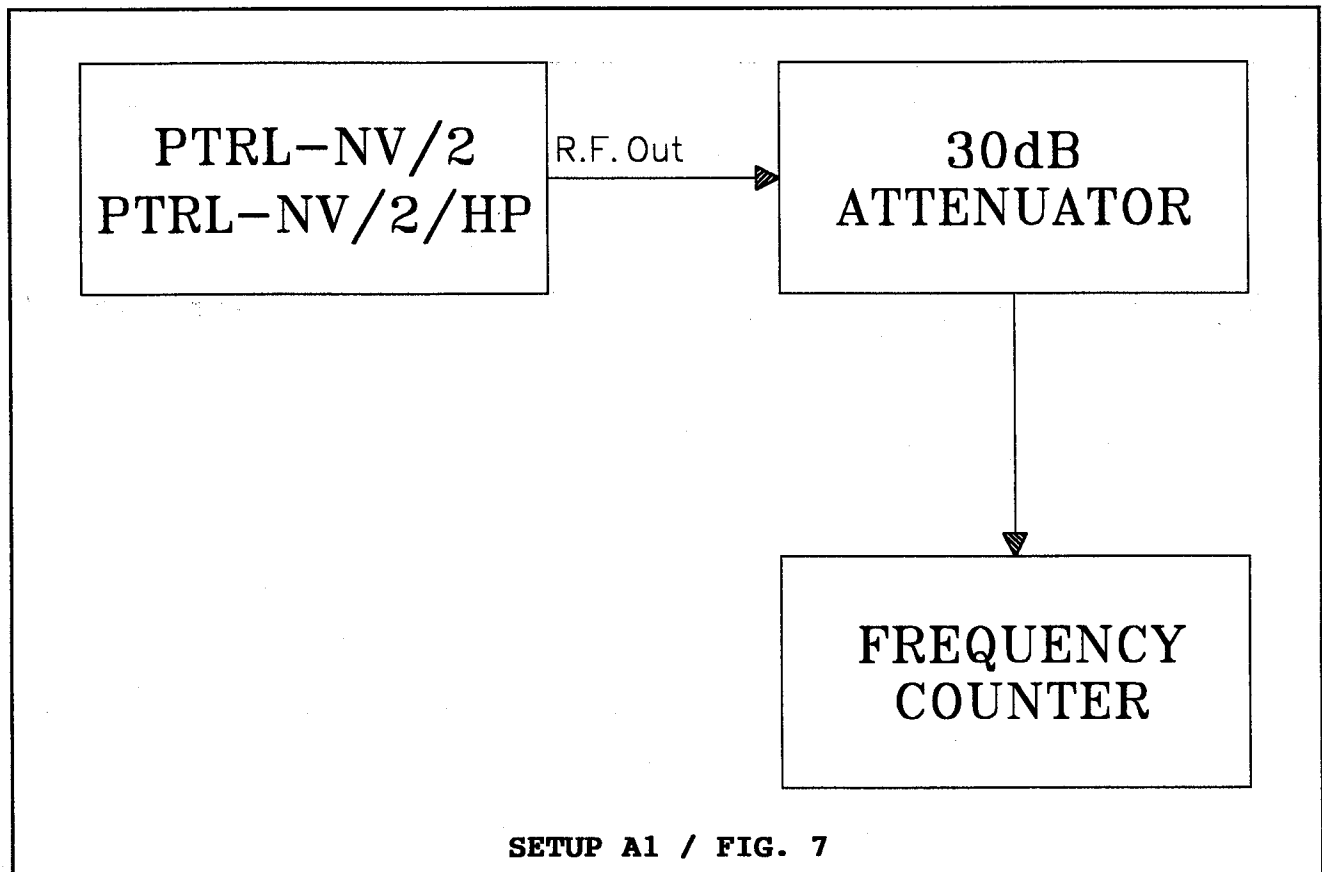
La frequenza del ponte radio completo (TX+RX) viene allineata usando un frequenzimetro per misurare la frequenza di uscita del trasmettitore e la frequenza della seconda conversione del ricevitore.

E' consigliato un contatore di alta precisione (stabilità almeno $\pm 0.2\text{ppm}$) per allineare collegamenti radio che sono usati in installazioni ridondanti.

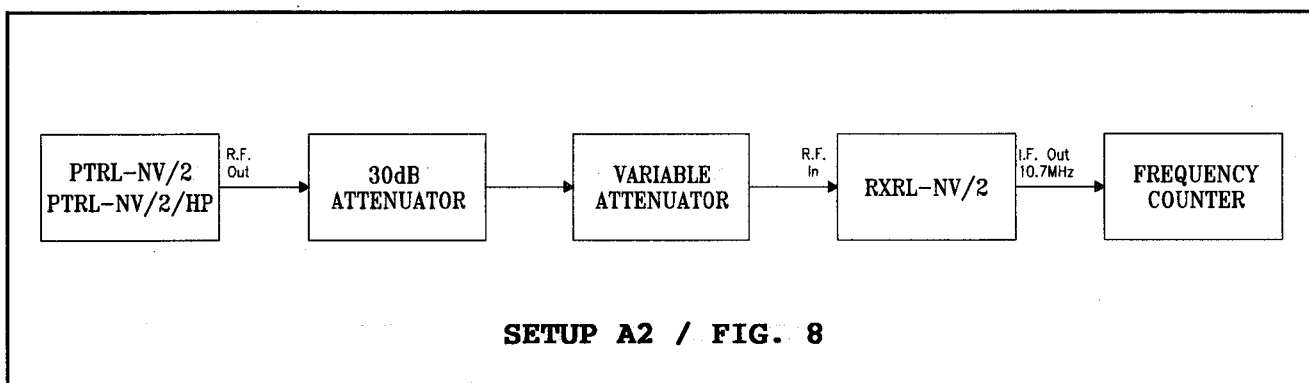
Se un tale contatore non è disponibile, si consiglia di allineare entrambi i sistemi radio allo stesso tempo e con lo stesso contatore di frequenza. Una differenza maggiore di 2KHz tra le frequenza centrale del trasmettitore e quella centrale del ricevitore avrà come effetto una degradazione della distorsione audio e della separazione stereo.

Per realizzare questo allineamento occorre eseguire le seguenti operazioni (SETUP A1 e A2):

- 1) Connettere l'equipaggiamento come mostrato nel SETUP A1 (Fig.7).



- 2) Accendere il trasmettitore e attendere fino a che non è avvenuto l'aggancio sulla frequenza di lavoro e non si è spenta la spia UNLOCK.
- 3) Connettere all'uscita RF posta nel pannello posteriore, un attenuatore 30dB con in serie un frequenzimetro.
- 4) Selezionare sul pannello frontale con il meter selector la misura FWD della potenza diretta.
Verificare la lettura del valore massimo di potenza.
- 5) Valutare con il frequenzimetro il valore della frequenza d'uscita del trasmettitore e regolarlo tramite i compensatori C68 e C69 posti sulla scheda Main Card.
- 6) Connettere ora l'equipaggiamento come mostrato nel SETUP A2 (Fig.8).



- 7) Regolare il valore di attenuazione dell'attenuatore variabile in base all'potenza di uscita del trasmettitore (Tabella E).

TABELLA E

POTENZA DEL PTRL-NV/2	ATTENUAZIONE	ATTENUATORE 30dB	VALORE DELL'ATTENUATORE VARIABILE
1 W	83 dB	30 dB	53 dB
2 W	86 dB	30 dB	56 dB
5 W	90 dB	30 dB	60 dB

Nota : I valori di attenuazione sopra indicati si riferiscono ad un segnale di -53dBm ingresso al ricevitore

- 8) Collegare il contatore all'uscita IF 10,7MHz e verificare effettivamente questo valore, regolandolo tramite i compensatori C27 e C28 situati sulla scheda Sintesi.

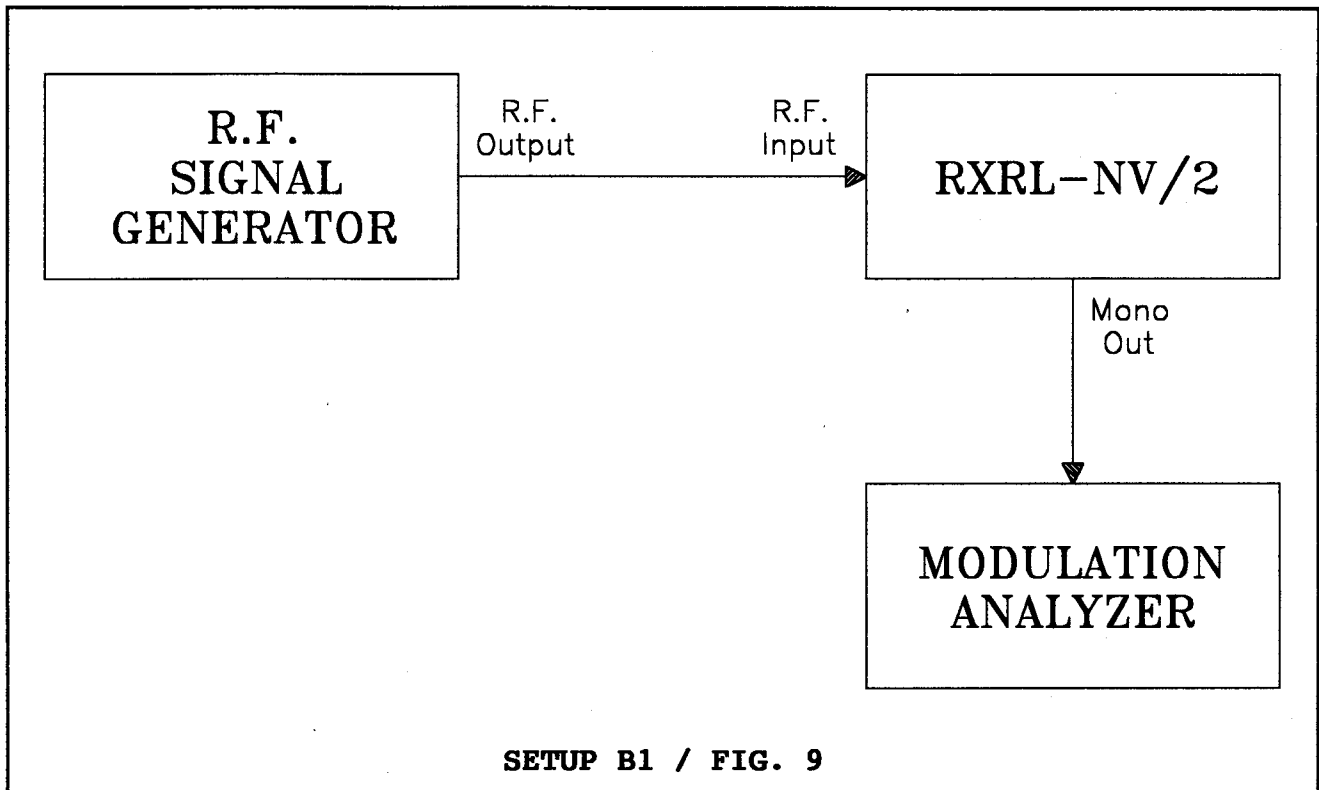
6.3 MISURA DI S/N DEL RICEVITORE

Il rapporto S/N Mono si effettua misurando il valore efficace del segnale audio utile all'uscita del ricevitore, ottenuto da un segnale modulante a 400Hz deviato a ± 100 KHz e comparandolo con il valore efficace del rumore misurato nelle stesse condizioni ma in assenza di modulante nella banda 30Hz/20KHz.

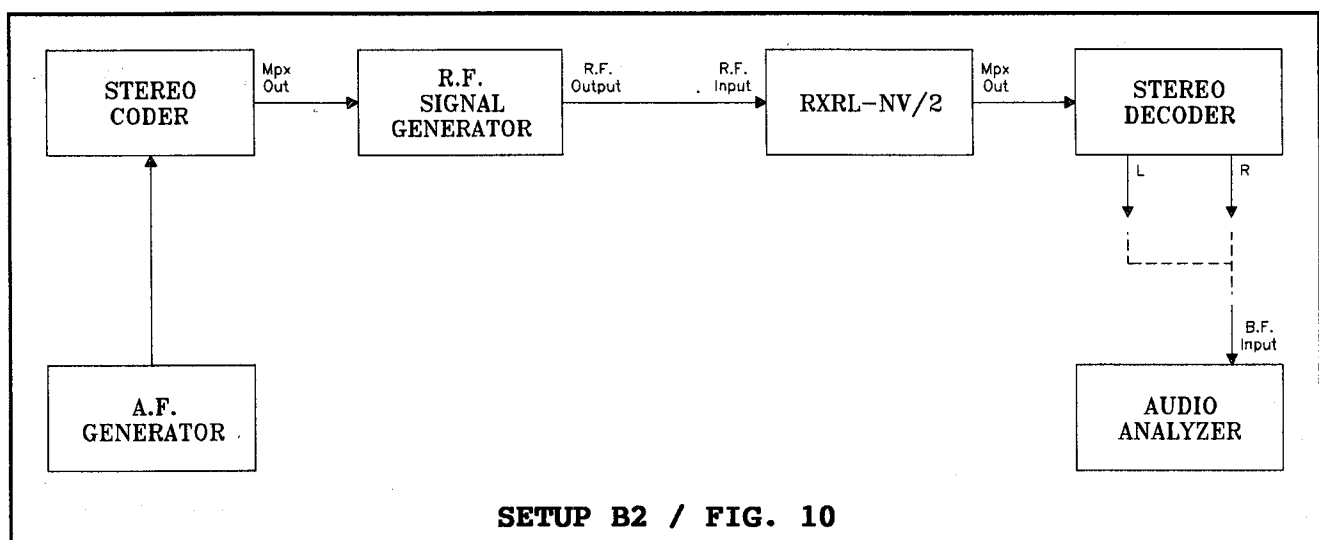
Nel caso di modulazione stereofonica, l'S/N andrà rilevato sui singoli canali (Left e Right) decodificati e de-enfatizzati.

Questa misura deve essere eseguita usando rispettivamente le configurazioni del SETUP B1 e B2 ed eseguendo le operazioni seguenti:

- 1) Connettere gli strumenti come mostrato nel SETUP B1 (Fig.9/Pag.98) per effettuare la misura sul canale MONO.



- 2) Predisporre il generatore di segnale affinché emetta un segnale di $100\mu\text{V}$ (-67dBm) da inviare al ingresso RF del ricevitore.
- 3) Modulare la portante RF con un tono a 400Hz deviato a $\pm 100\text{KHz}$.
- 4) Verificare sull'analizzatore di modulazione, che il rapporto segnale rumore per il ricevitore RXRL-NV/2 sia migliore di 65dB.
- 5) Connettere gli strumenti come mostrato nel SETUP B2 (Fig.10) per effettuare la misura del segnale STEREO.

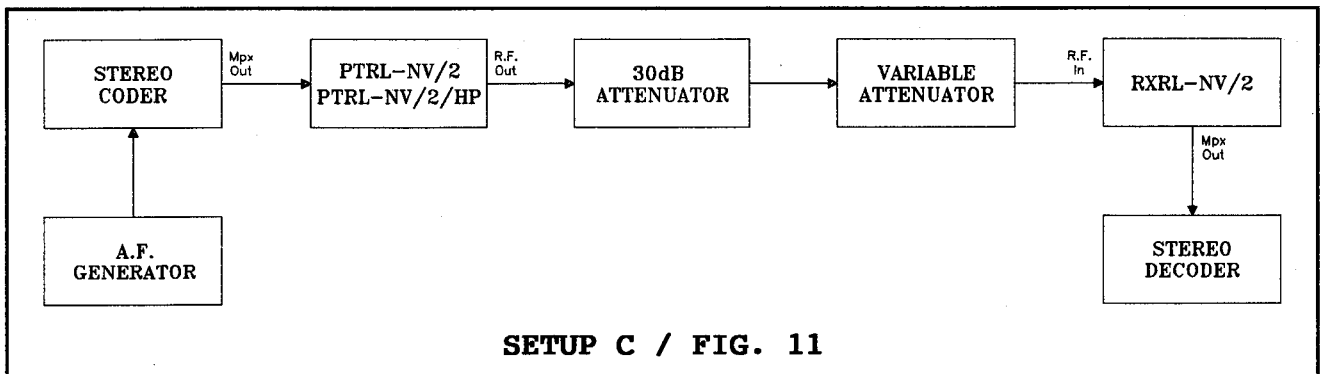


- 6) Predisporre il generatore di segnali affinché emetta un segnale con un livello di 1mV (-47dBm) da inviare ingresso al ricevitore.

- 7) Effettuare la misura del rapporto segnale rumore sull'analizzatore di modulazione, e verificare che sia in questo caso migliore di 60dB per il ricevitore RXRL-NV/2.

6.4 SEPARAZIONE STEREO

La separazione stereo viene effettuata utilizzando un coder stereo e un demodulatore stereo con una precisione nota. Questa misura viene effettuata calcolando il rapporto tra il segnale residuo del canale destro riferito al canale sinistro con il solo segnale portante sinistro (o viceversa) per frequenze comprese tra 30Hz e 15KHz. Per realizzare queste misure occorre realizzare la configurazione del SETUP C (Fig.11) ed eseguire le seguenti operazioni:



- 1) Regolare il valore di attenuazione dell'attenuatore variabile in base alla potenza di uscita del trasmettitore (Tabella E).

<i>TABELLA E</i>			
POTENZA DEL PTRL-NV/2	ATTENUAZIONE	ATTENUATORE 30dB	VALORE DELL'ATTENUATORE VARIABILE
1 W	83 dB	30 dB	53 dB
2 W	86 dB	30 dB	56 dB
5 W	90 dB	30 dB	60 dB

Nota : I valori di attenuazione sopra indicati si riferiscono ad un segnale di -53dBm ingresso al ricevitore

- 2) Predisporre il generatore di segnali in modo da avere un livello di -10dB all'ingresso right e successivamente a quello left dello stereo coder.
- 3) Verificare che il valore misurato sullo stereo decoder sia migliore di 40dB sia a 400Hz che a 10KHz.

6.6 CAMBIO FREQUENZA

Le operazioni necessarie per il cambio frequenza variano in base al nuovo valore che si intende impostare.

Si possono presentare due tipi di situazione :

CASO A - La nuova frequenza ricade nel range di lavoro del finale del trasmettitore e del Front-End/Mixer del ricevitore.

CASO B - La nuova frequenza non ricade nel range di lavoro del finale del trasmettitore o del Front-End/Mixer del ricevitore.

CASO A

Nel caso in cui la nuova frequenza ricada nel range di lavoro del finale del trasmettitore e del Front-End/Mixer del ricevitore le operazioni da eseguire sono le seguenti:

TRASMETTITORE

- 1) Selezionare la nuova frequenza tramite i selettori UP (9 Fig.1) e DOWN (7 Fig.1) e confermarla con il tasto ENTER (8 Fig.1).

RICEVITORE

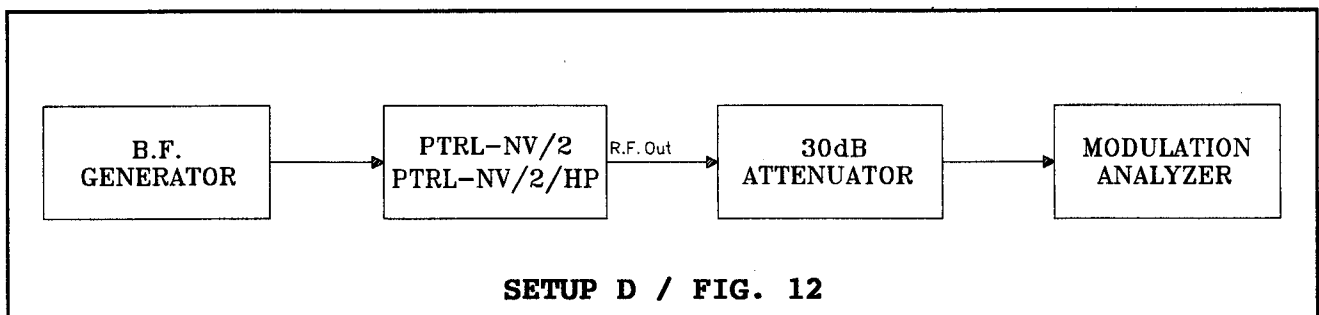
- 1) Selezionare la nuova frequenza tramite i selettori UP e DOWN e confermarla con il tasto ENTER.
- 2) Selezionare tramite il selettore dello strumento analogico la misura SIGNAL confermata dall'accensione del relativo led verde.
- 3) Tarare per la ricezione del massimo segnale RF il filtro cavità contenuto all'interno della macchina, verificando la corrispondente lettura dello strumento del ricevitore (massimo segnale RF visualizzabile = -47dBm).

CASO B

Nel caso in cui la nuova frequenza non ricada nel range di lavoro del finale del trasmettitore o del Front-End/Mixer del ricevitore, occorre fare effettuare il cambio frequenza dalla casa costruttrice in quanto operazioni errate potrebbero provocare il danneggiamento delle apparecchiature.

6.7 DEVIAZIONE E DISTORSIONE AUDIO % DEL TRASMETTITORE

Per realizzare queste misure occorre realizzare la configurazione del SETUP D (Fig.12) ed eseguire le seguenti operazioni:



- 1) Predisporre il generatore BF per ottenere un livello di -10dBm (0dBm per la versione Americana) all'ingresso MONO e poi a quello STEREO.
- 2) Settare l'analizzatore in modo da ottenere la lettura della deviazione.

- 3) Verificare che il valore della deviazione letto sia 100KHz per il PTRL-NV/2 (o PTRL-NV/2/HP). In caso contrario agire sul trimmer R8 contenuto all'interno VCO (effettuare l'operazione sia per l'ingresso MONO che STEREO).
- 4) Predisporre ora l'analizzatore in modo da ottenere la lettura della distorsione (con de-enfasi di 50 μ Sec per la versione Europea e di 75 μ Sec per la versione Americana).
- 5) Verificare che i valori ottenuti selezionando filtri da 30Hz a 20KHz siano minori o uguali a 0.1% per l'ingresso MONO (effettuare l'operazione anche per l'ingresso STEREO).

APPENDIX A

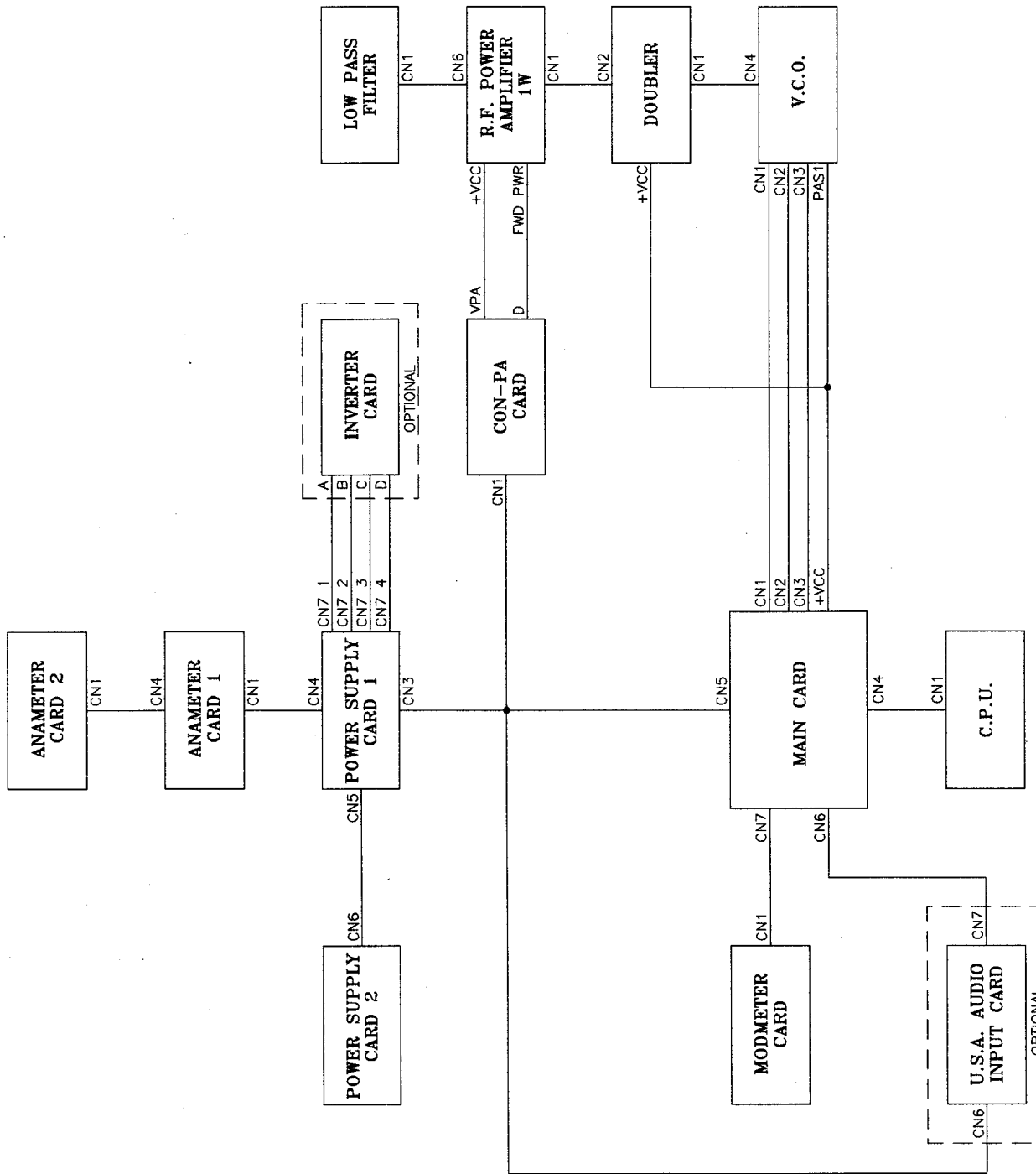
CIRCUIT DIAGRAMS, LAYOUTS AND BILLS OF MATERIAL

This section contains circuit diagrams, layouts and bills of material of the modules which composing the equipment.
For more information about each module see as reference Section 2.

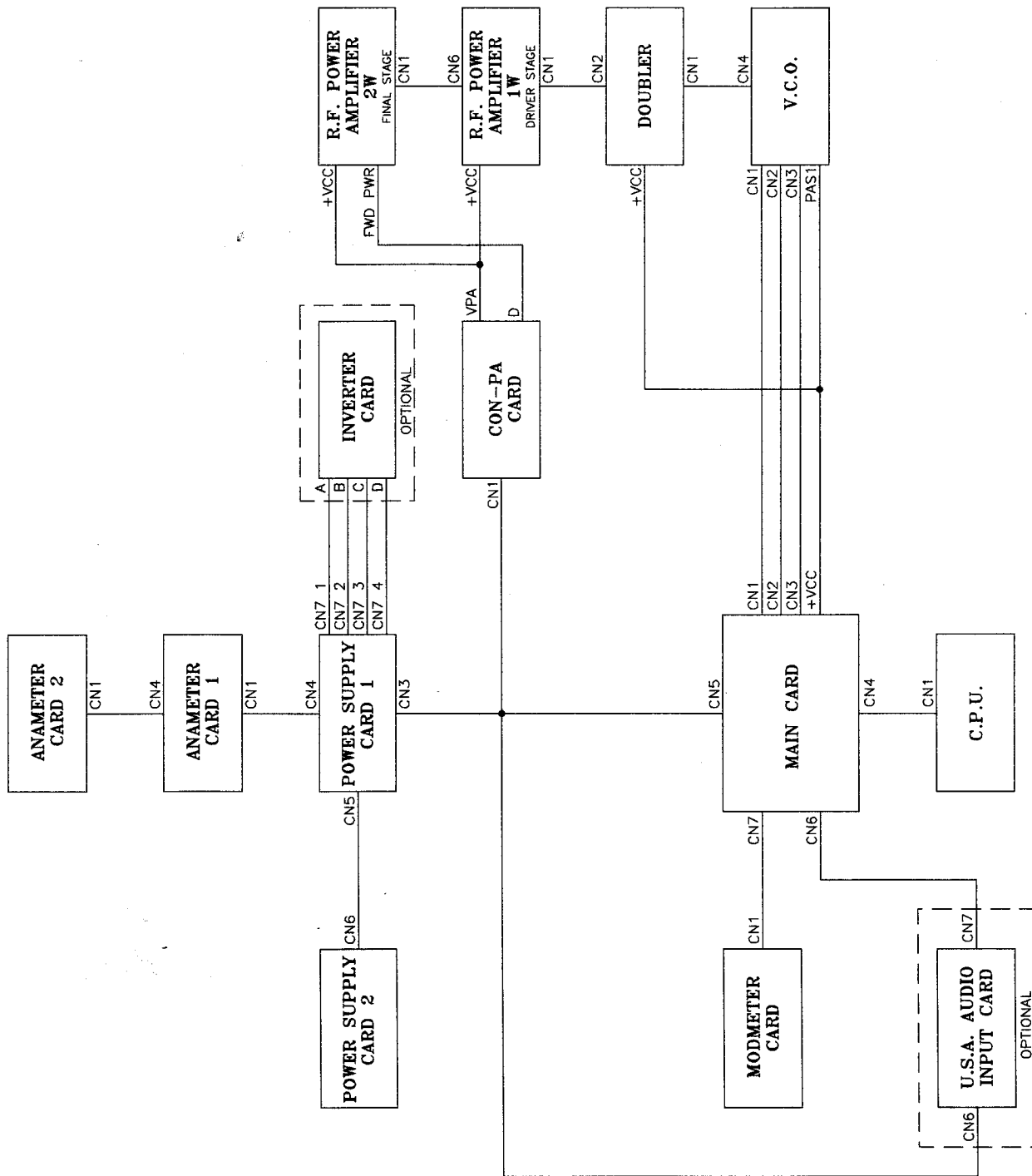
APPENDICE A

SCHEMI ELETTRICI, PIANI DI MONTAGGIO E LISTE COMPONENTI

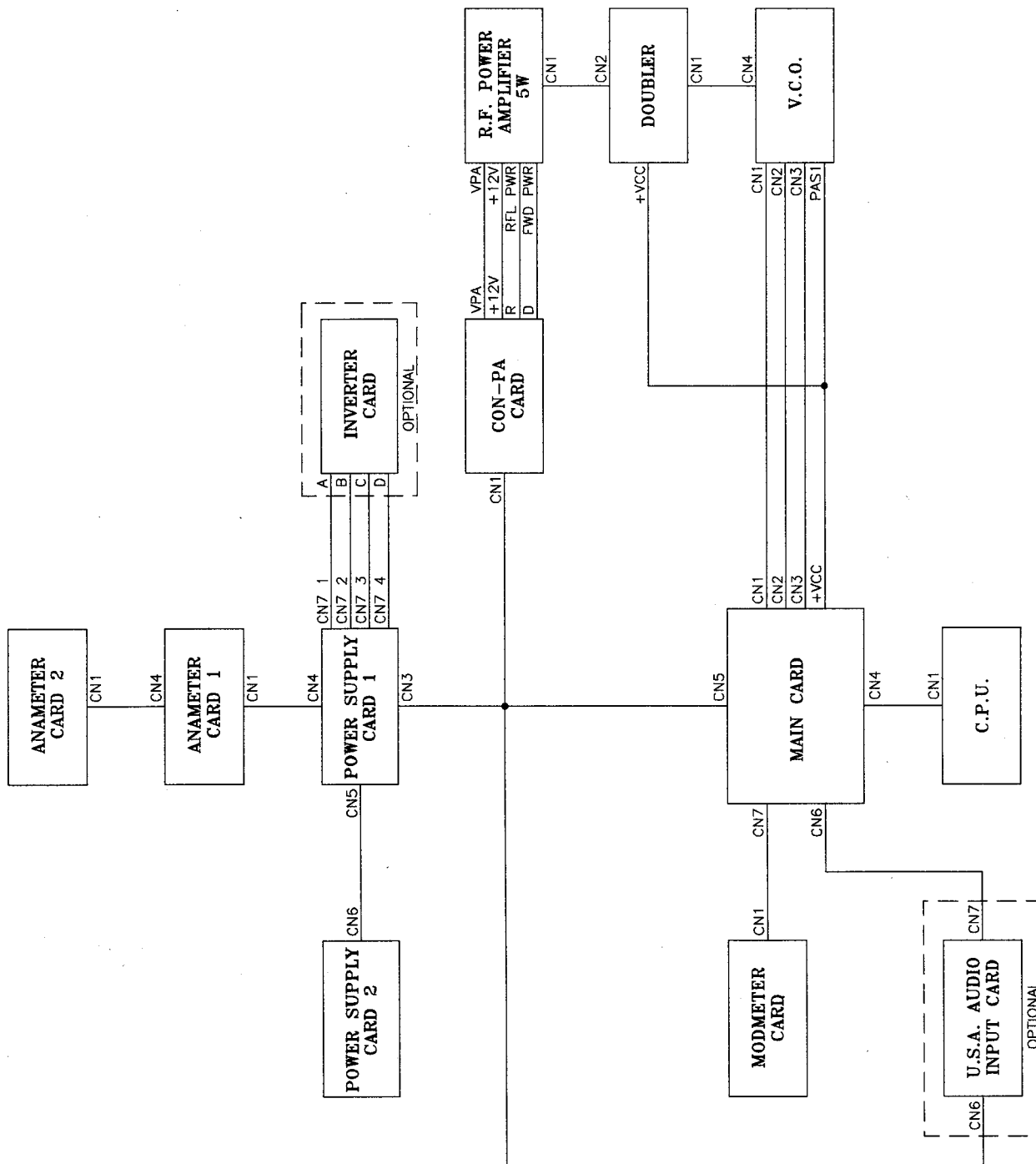
Questo capitolo contiene gli schemi elettrici, i piani di montaggio e le liste componenti delle schede che compongono la macchina.
Per ulteriori informazioni riguardanti le singole schede vedere come riferimento il Capitolo 2.



PTRL-NV/2 1W CARD CONNCTIONS / CONNESIONE DELLE SCHEDE



PTRL-NV/2 2W CARD CONNCTIONS / CONNESSIONE DELLE SCHEDE



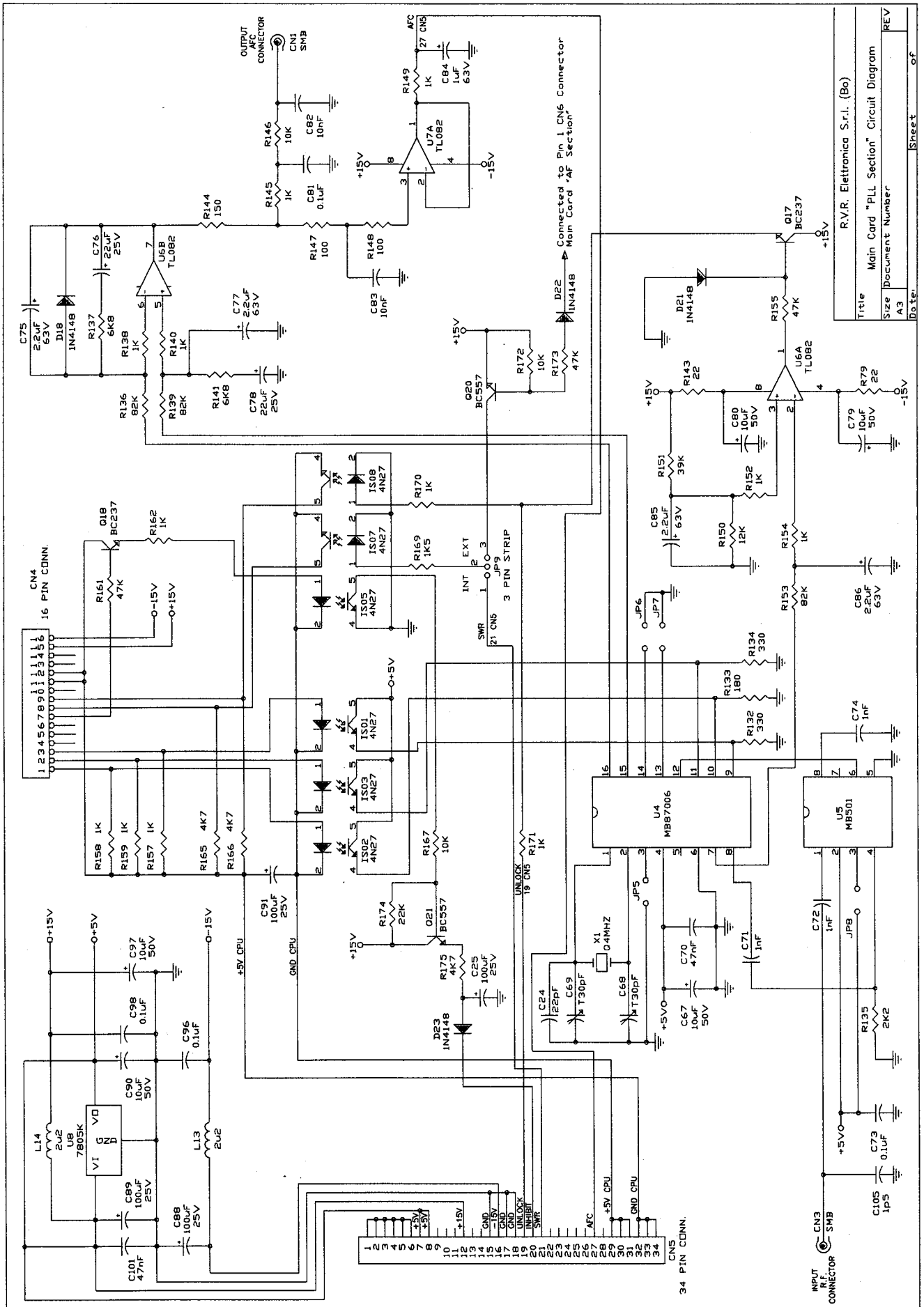
PTRL-NV/2/HP CARD CONNCTIONS / CONNESIONE DELLE SCHEDE

MAIN CARD

<u>1</u>	<u>"PLL Section" Circuit Diagram</u>	<u>Pag. 107</u>
<u>2</u>	<u>"PLL Section" Bill of Materials</u>	<u>Pag. 108</u>
<u>3</u>	<u>"AF Section" Circuit Diagram</u>	<u>Pag. 110</u>
<u>4</u>	<u>"AF Section" Bill of Materials</u>	<u>Pag. 111</u>
<u>5</u>	<u>Component Layout</u>	<u>Pag. 113</u>

MAIN CARD

<u>1</u>	<u>Schema Elettrico della "Sezione PLL"</u>	<u>Pag. 107</u>
<u>2</u>	<u>Lista dei Componenti della "Sezione PLL"</u>	<u>Pag. 108</u>
<u>3</u>	<u>Schema Elettrico della "Sezione PLL"</u>	<u>Pag. 110</u>
<u>4</u>	<u>Lista dei Componenti della "Sezione PLL"</u>	<u>Pag. 111</u>
<u>3</u>	<u>Piano di Montaggio</u>	<u>Pag. 113</u>

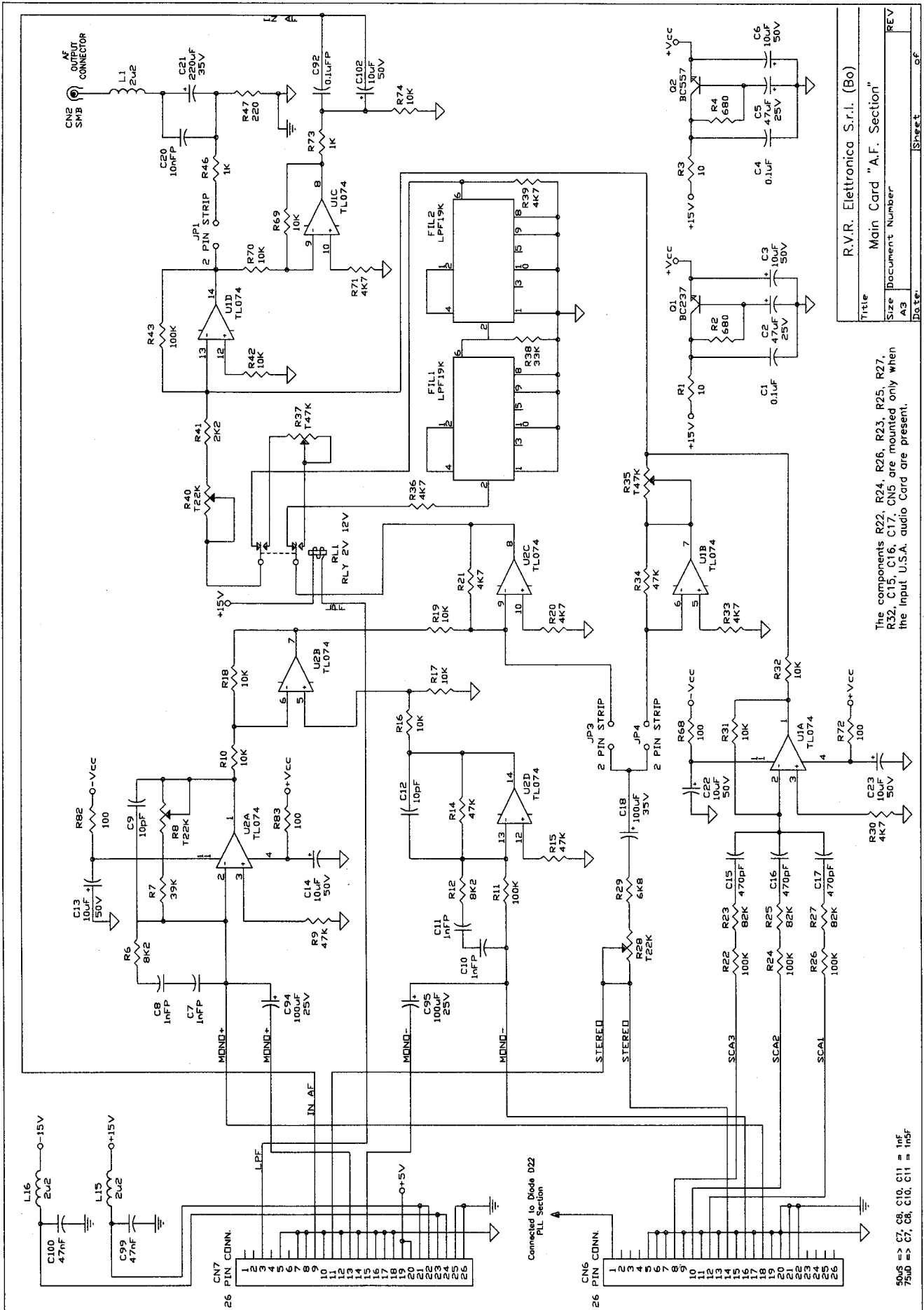


REV	of
Sheet	of
Doc. No.	
Size	
A3	
Document Number	
Title	
Main Card "PLL Section" Circuit Diagram	

Main Card "P.L.L. Section"		Bill of Materials/Lista Componenti			Pag. 1
Item	Quantity	Reference	Part	Description	Part Order Code
1	2	R79,R143	22	RESISTOR 1/4W 5%	RSC1/4JH0022
2	2	R147,R148	100	RESISTOR 1/4W 5%	RSC1/4JH0100
3	1	R144	150	RESISTOR 1/4W 5%	RSC1/4JH0150
4	1	R133	180	RESISTOR 1/4W 5%	RSC1/4JH0180
5	2	R132,R134	330	RESISTOR 1/4W 5%	RSC1/4JH0330
6	12	R138,R140, R145,R149, R152,R154, R157,R158, R159,R162, R170,R171	1K	RESISTOR 1/4W 5%	RSC1/4JK0001
7	1	R169	1K5	RESISTOR 1/4W 5%	RSC1/4JK01,5
8	1	R135	2K2	RESISTOR 1/4W 5%	RSC1/4JK02,2
9	3	R165,R166, R175	4K7	RESISTOR 1/4W 5%	RSC1/4JK04,7
10	2	R137,R141	6K8	RESISTOR 1/4W 5%	RSC1/4JK06,8
11	3	R146,R167, R172	10K	RESISTOR 1/4W 5%	RSC1/4JK0010
12	1	R150	12K	RESISTOR 1/4W 5%	RSC1/4JK0012
13	1	R174	22K	RESISTOR 1/4W 5%	RSC1/4JK0022
14	1	R151	39K	RESISTOR 1/4W 5%	RSC1/4JK0039
15	3	R155,R161, R173	47K	RESISTOR 1/4W 5%	RSC1/4JK0047
16	3	R136,R139, R153	82K	RESISTOR 1/4W 5%	RSC1/4JK0082
17	1	C105	1p5	CERAMIC CAPACITOR NP0	CKM1,5BJ600C
18	1	C24	22pF	CERAMIC CAPACITOR NP0	CKM220BJ600C
19	2	C68,C69	T30pF	TRIMMER CAPACITOR	CVC300BK600
20	3	C71,C72,C74	1nF	CERAMIC CAPACITOR	CKM102BK600P
21	2	C82,C83	10nF	CERAMIC CAPACITOR	CKM103BK600P
22	2	C70,C101	47NF	CERAMIC CAPACITOR	CKM473BK600P
23	4	C73,C81, C96,C98	0.1μF	CERAMIC CAPACITOR	CKM104BK600P
24	1	C84	1μF	ELECTROLYTIC CAPACITOR	CEA105AM630

Main Card "P.L.L. Section" Bill of Materials/Lista Componenti Pag. 2

Item	Quantity	Reference	Part	Description	Part Order Code
25	4	C75,C77, C85,C86	2.2 μ F	ELECTROLYTIC CAPACITOR	CEA225AM630
26	5	C67,C79, C80,C90,C97	10 μ F	ELECTROLYTIC CAPACITOR	CEA106AM350
27	2	C76,C78	22 μ F	ELECTROLYTIC CAPACITOR	CEA226BM350
28	4	C25,C88, C89,C91	100 μ F	ELECTROLYTIC CAPACITOR	CEA107BM350
29	2	L13,L14	2 μ 2	RF CHOKE	IMPO2U2A
30	4	JP5,JP6, JP7,JP8	2 PIN STRIP	STRIP M P 2.54 2 PIN	CNTSTRIPMCS
31	1	JP9	3 PIN STRIP	STRIP M P 2.54 3 PIN	CNTSTRIPMCS
32	1	CN4	16P CONN.	CONN. M 2*8 P 2.54	CNTMCSFC16P
33	1	CN5	34P CONN.	CONN. M 2*17 P 2.54	CNTMCSFC34P
34	2	CN1,CN3	SMB	CON. SMB A CRIMP. RG188	CNTSMBFCVD
35	1	X1	Q4MHZ	CRYSTAL	QRZ4HC18
36	4	D18,D21, D22,D23	1N4148	SILICON DIODE	DIS1N4148
37	6	IS01,IS02, IS03,IS05, IS07,IS08	4N27	PHOTOCOUPLER	LED4N27
38	1	U8	7805K	POS. STABILIZER 1.5A	CIL7805K
39	2	Q17,Q18	BC237	NPN TRANSISTOR	TRNBC237
40	2	Q20,Q21	BC557	PNP TRANSISTOR	TRNBC557
41	2	U6,U7	TL082	DOUBLE OP. AMP.	CILTLO82
42	1	U5	MB501	DUAL MOD. PRESCALER	CIDMB501
43	1	U4	MB87006	INTEGRATED DIVIDER PLL	CIDMB87006



Title		Main Card "A.F. Section"	
Size	Document Number	REV	
Date		Sheet	of

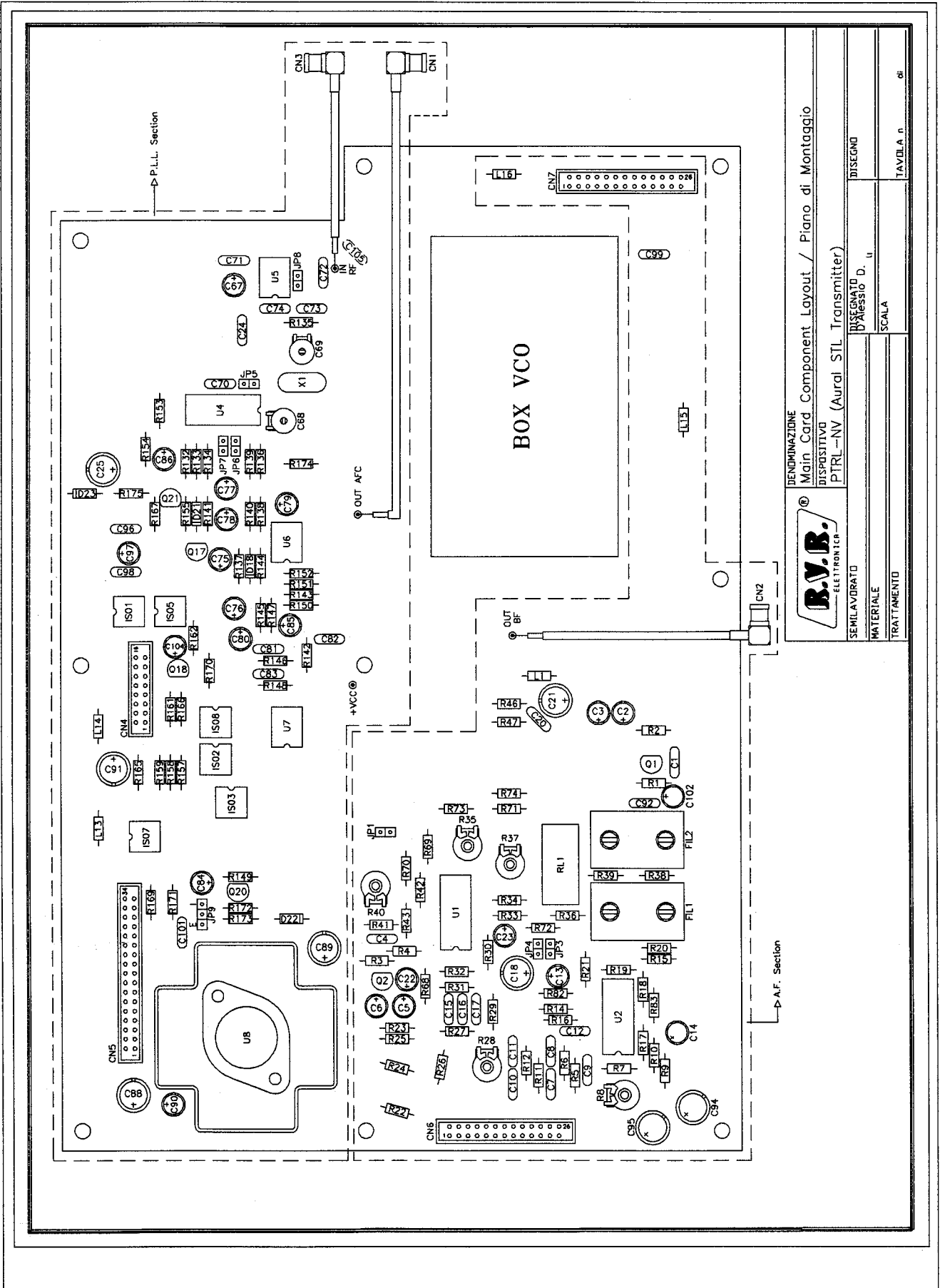
The components R22, R24, R26, R23, R25, R27, R32, C15, C16, C17, CN5 are mounted only when the Input U.S.A. audio Card are present.

50µS => C7, C8, C10, C11 = 1µF
75µD => C7, C8, C10, C11 = 1mF

Main Card "A.F. Section" Bill of Materials/Lista Componenti Pag. 1

Item	Quantity	Reference	Part	Description	Part Order Code
1	2	R1,R3	10	RESISTOR 1/4W 5%	RSC1/4JH0010
2	4	R68,R72, R82,R83	100	RESISTOR 1/4W 5%	RSC1/4JH0100
3	1	R47	220	RESISTOR 1/4W 5%	RSC1/4JH0220
4	2	R2,R4	680	RESISTOR 1/4W 5%	RSC1/4JH0680
5	2	R46,R73	1K	RESISTOR 1/4W 5%	RSC1/4JK0001
6	1	R41	2K2	RESISTOR 1/4W 5%	RSC1/4JK02,2
7	7	R20,R21, R30,R33, R36,R39,R71	4K7	RESISTOR 1/4W 5%	RSC1/4JK04,7
8	1	R29	6K8	RESISTOR 1/4W 5%	RSC1/4JK06,8
9	2	R6,R12	8K2	RESISTOR 1/4W 5%	RSC1/4JK08,2
10	11	R10,R16, R17,R18, R19,R31, R32,R42, R69,R70, R74	10K	RESISTOR 1/4W 5%	RSC1/4JK0010
11	1	R38	33K	RESISTOR 1/4W 5%	RSC1/4JK0033
12	1	R7	39K	RESISTOR 1/4W 5%	RSC1/4JK0039
13	4	R9,R14, R15,R34	47K	RESISTOR 1/4W 5%	RSC1/4JK0047
14	3	R23,R25,R27	82K	RESISTOR 1/4W 5%	RSC1/4JK0082
15	5	R11,R22, R24,R26,R43	100K	RESISTOR 1/4W 5%	RSC1/4JK0100
16	3	R8,R28,R40	T22K	TRIMMER REG. VERT. 10mm	RVTD10VK0022
17	2	R35,R37	T47K	TRIMMER REG. VERT. 10mm	RVTD10VK0047
18	2	C9,C12	10pF	CERAMIC CAPACITOR NPO	CKM100BJ600C
19	3	C15,C16,C17	470pF	CERAMIC CAPACITOR	CKM471BK600P
20	4	C7,C8, C10,C11	1nFP	POLIESTER CAPACITOR	CPE102BK161
21	1	C20	10nFP	POLIESTER CAPACITOR	CPE103BJ101
22	2	C99,C100	47nF	CERAMIC CAPACITOR	CKM473BK600P
23	2	C1,C4	0.1μF	CERAMIC CAPACITOR	CKM104BK600P
24	1	C92	0.1μFP	POLIESTER CAPACITOR	CPE104DK101

Main Card "A.F. Section"		Bill of Materials/Lista Componenti			Pag. 2
Item	Quantity	Reference	Part	Description	Part Order Code
25	7	C3,C6,C13, C14,C22, C23,C102	10 μ F	ELECTROLYTIC CAPACITOR	CEA106AM350
26	2	C2,C5	47 μ F	ELECTROLYTIC CAPACITOR	CEA476BM630
27	3	C18,C94,C95	100 μ F	ELECTROLYTIC CAPACITOR	CEA107BM350
28	1	C21	220 μ F	ELECTROLYTIC CAPACITOR	CEA227BM350
29	3	L1,L15,L16	2 μ 2	RF CHOKE	IMPO2U2A
30	2	FIL1,FIL2	LPF19K	LOW PASS FILTER 19KHZ	FLP19KHZ
31	3	JP1,JP3,JP4	2 PIN STRIP	STRIP M P 2.54 2 PIN	CNTSTRIPMCS
32	2	CN6,CN7	26P CONN.	CONN. M 2*13 P 2.54	CNTMCSFC26P
33	1	CN2	SMB	CON. SMB A CRIMP. RG188	CNTSMBFCVD
34	1	RL1	RLY 2V 12V	RELAY 2 VIE 12V	RLDLFHA00212
35	1	Q1	BC237	NPN TRANSISTOR	TRNBC237
36	1	Q2	BC557	PNP TRANSISTOR	TRNBC557
37	2	U1,U2	TL074	QUAD OP. AMP.	CILTLO74

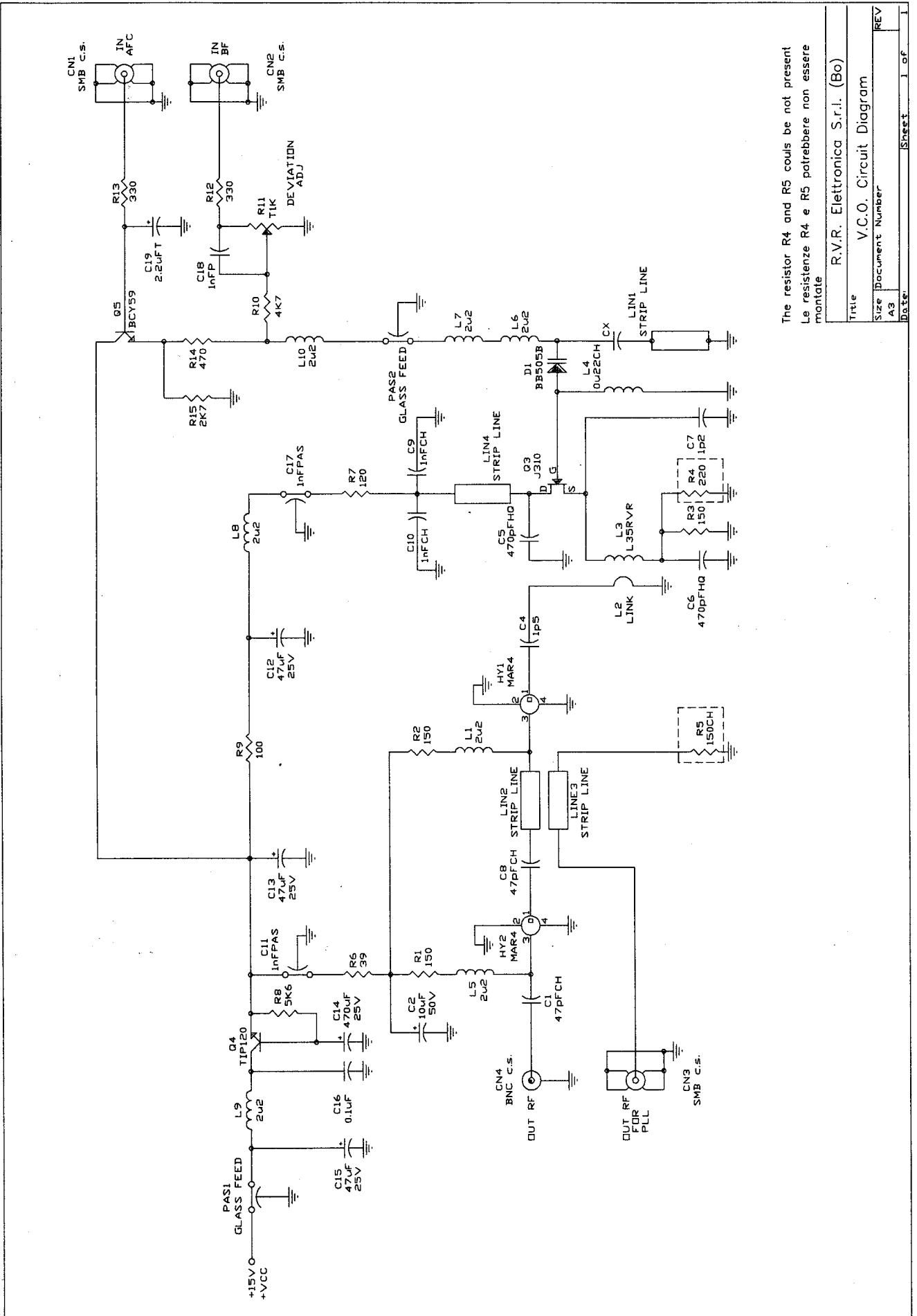


V.C.O. CARD

<u>1</u>	<u>Circuit Diagram</u>	<u>Pag. 115</u>
<u>2</u>	<u>Bill of Materials</u>	<u>Pag. 116</u>
<u>3</u>	<u>Component Layout</u>	<u>Pag. 118</u>

V.C.O. CARD

<u>1</u>	<u>Schema Elettrico</u>	<u>Pag. 115</u>
<u>2</u>	<u>Lista dei Componenti</u>	<u>Pag. 116</u>
<u>3</u>	<u>Piano di Montaggio</u>	<u>Pag. 118</u>



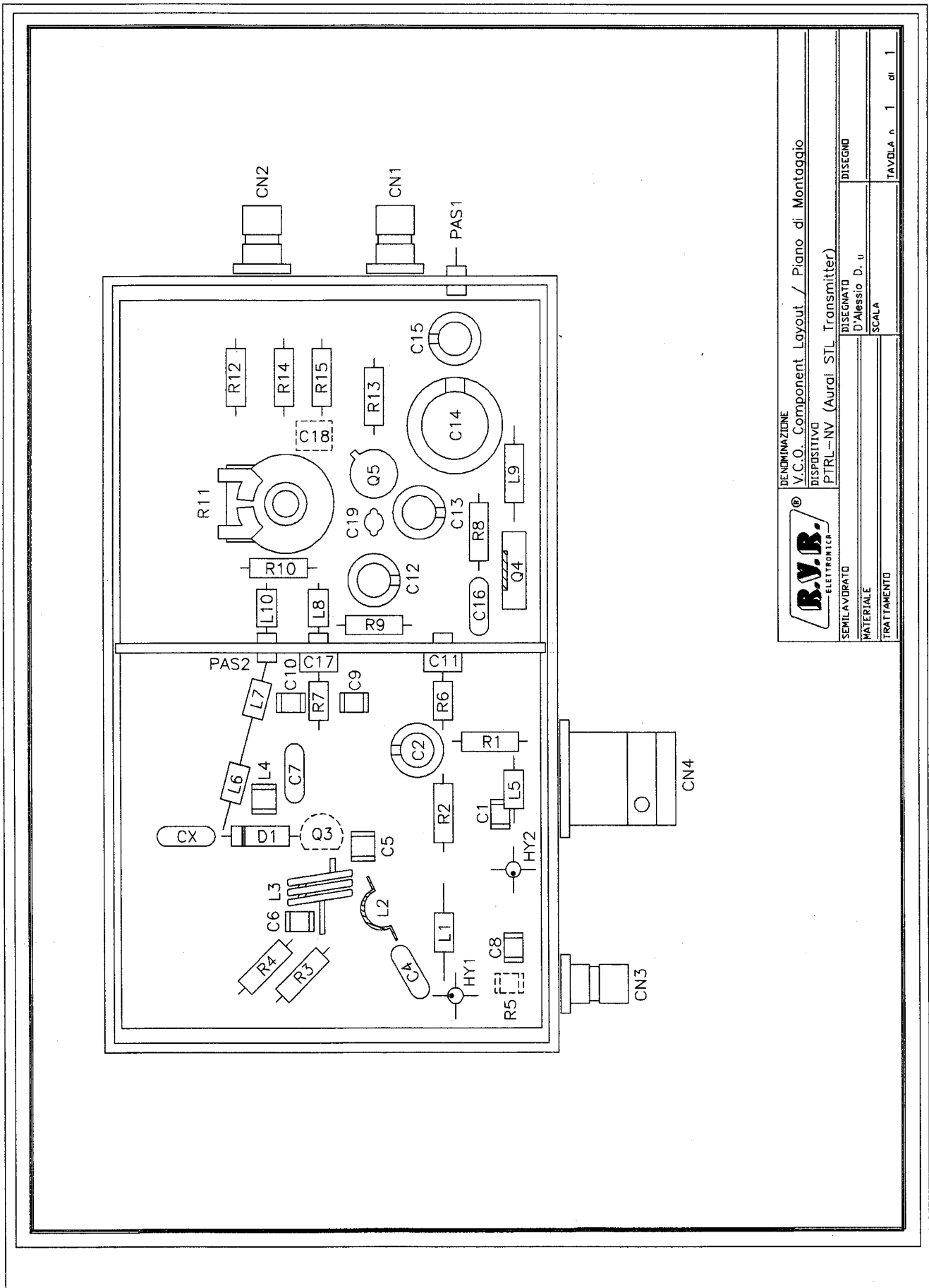
The resistor R4 and R5 could be not present
 Le resistenze R4 e R5 potrebbero non essere montate

Title		R.V.R. Elettronica S.r.l. (Bo)	
Size		V.C.O. Circuit Diagram	
Document Number	A3	Date	REV
Sheet	1	of	1

V.C.O. Card			Bill of Materials/Lista Componenti		Pag. 1
Item	Quantity	Reference	Part	Description	Part Order Code
1	1	R6	39	RESISTOR 1/4W 5%	RSC1/4JH0039
2	1	R9	100	RESISTOR 1/4W 5%	RSC1/4JH0100
3	1	R7	120	RESISTOR 1/4W 5%	RSC1/4JH0120
4	1	R5	150CH	CHIP RESISTOR	RCC1/4JH0150
5	3	R1,R2,R3	150	RESISTOR 1/4W 5%	RSC1/4JH0150
6	1	R4	220	RESISTOR 1/4W 5%	RSC1/4JH0220
7	2	R12,R13	330	RESISTOR 1/4W 5%	RSC1/4JH0330
8	1	R14	470	RESISTOR 1/4W 5%	RSC1/4JH0470
9	1	R15	2K7	RESISTOR 1/4W 5%	RSC1/4JK02,7
10	1	R10	4K7	RESISTOR 1/4W 5%	RSC1/4JK04,7
11	1	R8	5K6	RESISTOR 1/4W 5%	RSC1/4JK05,6
12	1	R11	T1K	TRIMMER REG. VERT. 10mm	RVTD10VK0001
13	2	PAS1,PAS2	GLASS FEED	PASSANTE IN VETRO	PASSVETRO
14	1	C7	1p2	CERAMIC CAPACITOR NPO	CKM1,2BJ600C
15	1	C4	1p5	CERAMIC CAPACITOR NPO	CKM1,5BJ600C
16	2	C1,C8	47pFCH	CERAMIC CHIP CAPACITOR	CCC470AJ500
17	2	C5,C6	470pFHQ	HIGHT Q CAPACITOR	CHQ471AJ500
18	2	C9,C10	1nFCH	CERAMIC CHIP CAPACITOR	CCC102AJ500
19	2	C11,C17	1nFPAS	CERAMIC THROUGH CAPAC.	CDP102XK500
20	1	C18	1nFP	POLIESTER CAPACITOR	CPE102BK161
21	1	C16	0.1 μ F	CERAMIC CAPACITOR	CKM104BK600P
22	1	C19	2.2 μ FT	TANTALIUM CAPACITOR	CET225AM350
23	1	C2	10 μ F	ELECTROLYTIC CAPACITOR	CEA106AM350
24	3	C12,C13,C15	47 μ F	ELECTROLYTIC CAPACITOR	CEA476BM630
25	1	C14	470 μ F	ELECTROLYTIC CAPACITOR	CEA477BM350
26	1	L4	0 μ 22CH	CHIP RF CHOKE	
27	7	L1,L5,L6, L7,L8,L9, L10	2 μ 2	RF CHOKE	IMP02U2A
28	1	L3	L35RVR	3 SP DIA 5	

V.C.O. Card Bill of Materials/Lista Componenti Pag. 2

Item	Quantity	Reference	Part	Description	Part Order Code
29	1	L2	LINK	LINK FILO ARG. 1mm	CAVARG1000
30	1	CN4	BNC C.S.	CONN. BNC A STAMPATO	CNTBNCFCSD
31	3	CN1,CN2,CN3	SMB C.S.	CONN. SMB A STAMPATO	CNTSMBMCSD
32	1	D1	BB505B	VARICAP DIODE	DIVBB505
33	1	Q5	BCY59	NPN TRANSISTOR	TRNBCY59
34	1	Q4	TIP120	NPN DARLINGTON	TRNTIP120
35	1	Q3	J310	FET TRANSISTOR	TRNJ310
36	2	HY1,HY2	MAR4	HYBRID AMP MAR4	MIBMAR4
37	4	LIN1,LIN2, LINE3,LIN4	STRIP LINE	STRIP LINE	
38	1	CX	See as reference Table D for the value of the capacitor CX Il valore del condensatore CX è riportato in Tabella D.		

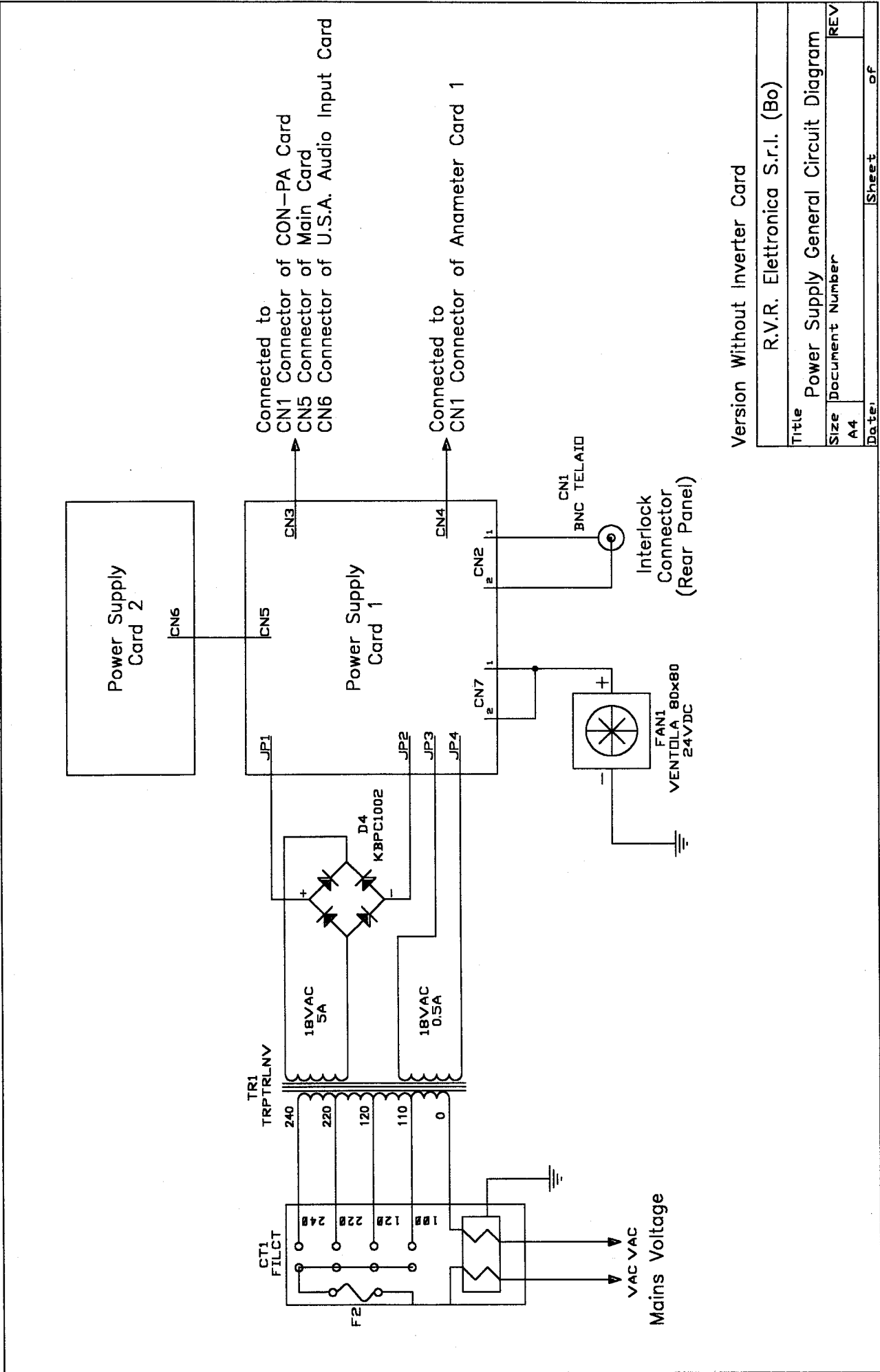


POWER SUPPLY

<u>1</u>	<u>Power Supply General Circuit Diagram (without Inverter Card)</u>	<u>Pag. 120</u>
<u>2</u>	<u>Power Supply General Circuit Diagram (with Inverter Card)</u>	<u>Pag. 121</u>
<u>3</u>	<u>Power Supply Card 1 Circuit Diagram</u>	<u>Pag. 122</u>
<u>4</u>	<u>Power Supply Card 1 Bill of Materials</u>	<u>Pag. 123</u>
<u>5</u>	<u>Power Supply Card 1 Component Layout</u>	<u>Pag. 126</u>
<u>6</u>	<u>Power Supply Card 2 Circuit Diagram</u>	<u>Pag. 127</u>
<u>7</u>	<u>Power Supply Card 2 Bill of Materials</u>	<u>Pag. 128</u>
<u>8</u>	<u>Power Supply Card 2 Component Layout</u>	<u>Pag. 129</u>

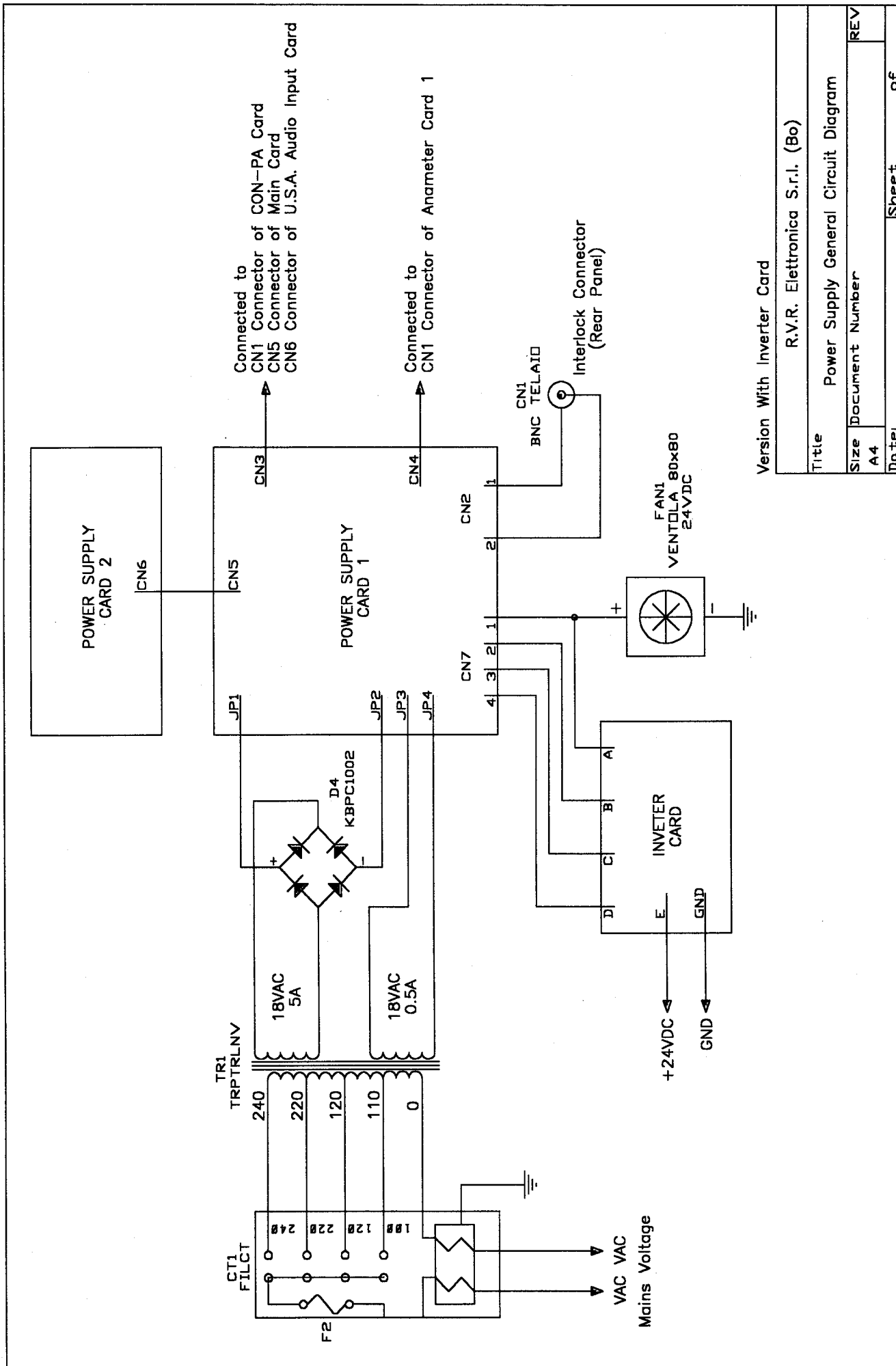
POWER SUPPLY

<u>1</u>	<u>Schema Generale del Power Supply (senza Inverter Card)</u>	<u>Pag. 120</u>
<u>2</u>	<u>Schema Genaerale del Power Supply (with Inverter Card)</u>	<u>Pag. 121</u>
<u>3</u>	<u>Schema Elettrico del Power Supply Card 1</u>	<u>Pag. 122</u>
<u>4</u>	<u>Lista dei Componenti del Power Supply Card 1</u>	<u>Pag. 123</u>
<u>5</u>	<u>Piano di Montaggio del Power Supply Card 1</u>	<u>Pag. 126</u>
<u>6</u>	<u>Schema Elettrico del Power Supply Card 2</u>	<u>Pag. 127</u>
<u>7</u>	<u>Lista dei Componeti del Power Supply Card 2</u>	<u>Pag. 128</u>
<u>8</u>	<u>Piano di Montaggio del Power Supply Card 2</u>	<u>Pag. 129</u>



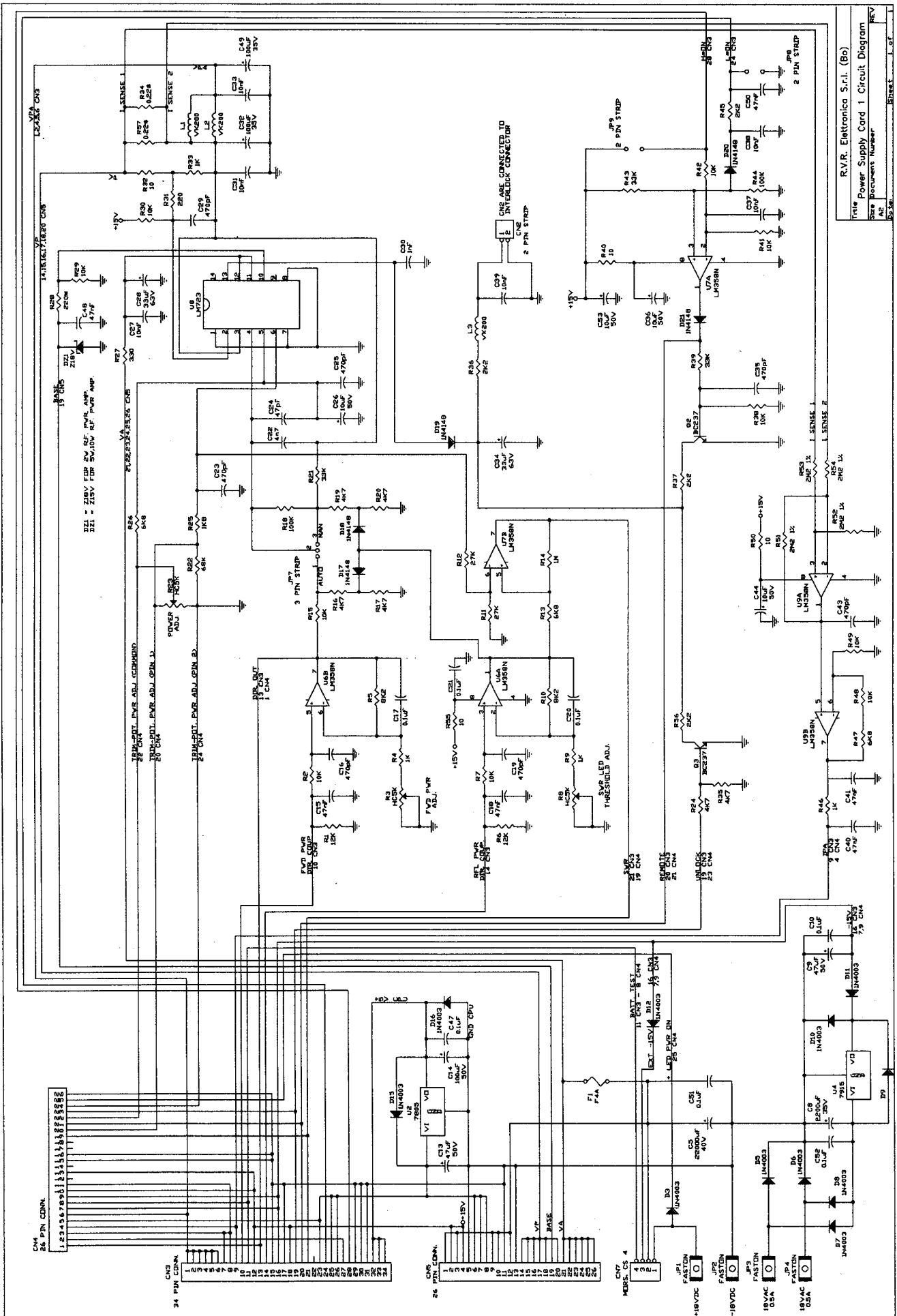
Version Without Inverter Card

Title		R.V.R. Elettronica S.r.l. (Bo)
Size		Document Number
REV		A4
Date:	Sheet	of



Version With Inverter Card

Title		R.V.R. Elettronica S.r.l. (Bo)	
Size		Power Supply General Circuit Diagram	
Document Number		REV	
A4	Date:	Sheet	of



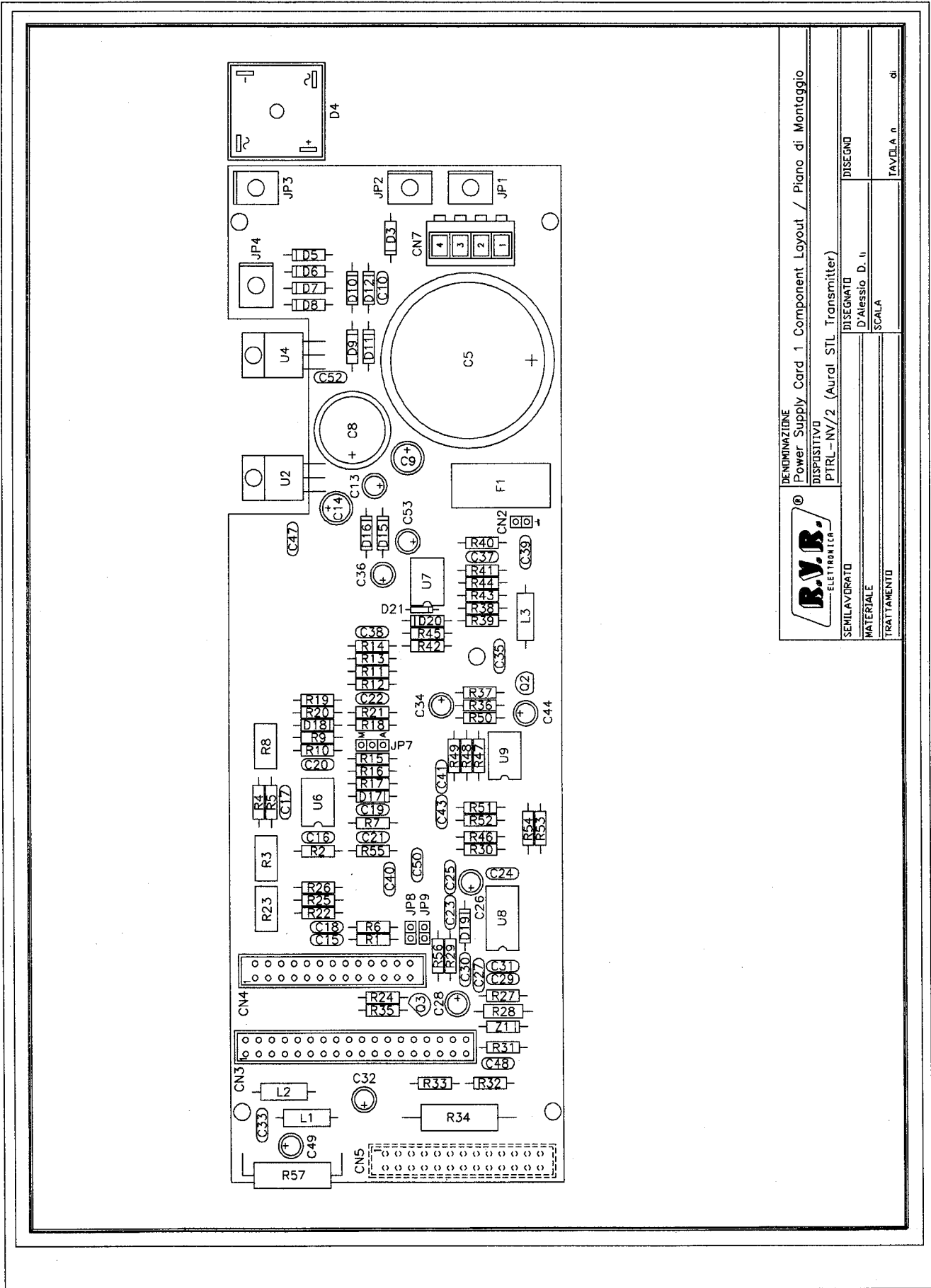
Power Supply Card 1			Bill of Materials/Lista Componenti		Pag. 1
Item	Quantity	Reference	Part	Description	Part Order Code
1	2	R34,R57	0.22\$	RESISTOR 5W	RAF005JH0,22
2	4	R32,R40,5 R50,R5	10	RESISTOR 1/4W 5%	RSC1/4JH0010
3	1	R31	220	RESISTOR 1/4W 5%	RSC1/4JH0220
4	1	R28	220*	RESISTOR 1/2W 5%	RSC1/2JH0220
5	1	R27	330	RESISTOR 1/4W 5%	RSC1/4JH0330
6	4	R4,R9,R33, R46	1K	RESISTOR 1/4W 5%	RSC1/4JK0001
7	1	R25	1K8	RESISTOR 1/4W 5%	RSC1/4JK01,8
8	4	R36,R37, R45,R56	2K2	RESISTOR 1/4W 5%	RSC1/4JK02,2
9	6	R16,R17, R19,R20, R24,R35	4K7	RESISTOR 1/4W 5%	RSC1/4JK04,7
10	3	R13,R26,R47	6K8	RESISTOR 1/4W 5%	RSC1/4JK06,8
11	2	R5,R10	8K2	RESISTOR 1/4W 5%	RSC1/4JK08,2
12	10	R2,R7,R15, R29,R30, R38,R41, R42,R48, R49	10K	RESISTOR 1/4W 5%	RSC1/4JK0010
13	2	R1,R6	12K	RESISTOR 1/4W 5%	RSC1/4JK0012
14	2	R11,R12	27K	RESISTOR 1/4W 5%	RSC1/4JK0027
15	3	R21,R39,R43	33K	RESISTOR 1/4W 5%	RSC1/4JK0033
16	1	R22	68K	RESISTOR 1/4W 5%	RSC1/4JK0068
17	2	R18,R44	100K	RESISTOR 1/4W 5%	RSC1/4JK0100
18	1	R14	1M	RESISTOR 1/4W 5%	RSC1/4JM0001
19	4	R51,R52, R53,R54	2M2 1%	RESISTOR 1/4W 1%	RSM1/4FM02,2
20	3	R3,R8,R23	HC5K	TRIM. REG. ORIZ. CERMET	RVTCEROK0005
21	1	C24	47pF	CERAMIC CAPACITOR NPO	CKM470BJ600C
22	7	C16,C19, C23,C25, C29,C35,C43	470pF	CERAMIC CAPACITOR	CKM471BK600P
23	1	C30	1NF	CERAMIC CAPACITOR	CKM102BK600P


Power Supply Card 1			Bill of Materials/Lista Componenti		Pag. 2
Item	Quantity	Reference	Part	Description	Part Order Code
24	1	C22	4n7	CERAMIC CAPACITOR	CKM472BK600P
25	6	C27,C31, C33,C37, C38,C39	10NF	CERAMIC CAPACITOR	CKM103BK600P
26	6	C15,C18, C40,C41, C48,C50	47nF	CERAMIC CAPACITOR	CKM473BK600P
27	7	C10,C17, C20,C21, C47,C51,C52	0.1μF	CERAMIC CAPACITOR	CKM104BK600P
28	4	C26,C36, C44,C53	10μF	ELECTROLYTIC CAPACITOR	CEA106AM350
29	2	C28,C34	33μF	ELECTROLYTIC CAPACITOR	CEA336BM350
30	2	C9,C13	47μF	ELECTROLYTIC CAPACITOR	CEA476BM630
31	3	C14,C32,C49	100μF	ELECTROLYTIC CAPACITOR	CEA107BM350
32	1	C8	2200μF	ELECTROLYTIC CAPACITOR	CEA228CM350
33	1	C5	22000μF	ELECTROLYTIC CAPACITOR	CEA229PM630
34	3	L1,L2,L3	VK200	RF CHOKE	IMPVK200
35	1	F1	F4A	FAST FUSIBLE	FUS5X20RP4
36	3	CN2,JP8,JP9	2 PIN STRIP	STRIP M P 2.54 2 PIN	CNTSTRIPMCS
37	1	JP7	3 PIN STRIP	STRIP M P 2.54 3 PIN	CNTSTRIPMCS
38	4	JP1,JP2, JP3,JP4	FASTON	CON. FASTON M CIRC. ST.	CNTFSTMCSGR
39	1	CN7	MORS. CS 4	MORS. C. S. 4 CONT.	MORSKB04PPO
40	2	CN4,CN5	26P CONN.	CONN. M 2*13 P 2.54	CNTMCSFC26P
41	1	CN3	34P CONN.	CONN. M 2*17 P 2.54	CNTMCSFC34P
42	5	D17,D18, D19,D20,D21	1N4148	SILICON DIODE	DIS1N4148
43	11	D3,D5,D6, D7,D8,D9, D10,D11, D12,D15,D16	1N4003	SILICON DIODE 200V	DIS1N4003
44	1	DZ1	Z18V	ZENER DIODE 18V 0.4W	DIZ18V0W4
45	1	U2	7805	POS. STABILIZER 1A	CIL7805P
46	1	U4	7915	NEG. STABILIZER 1A	CIL7915P

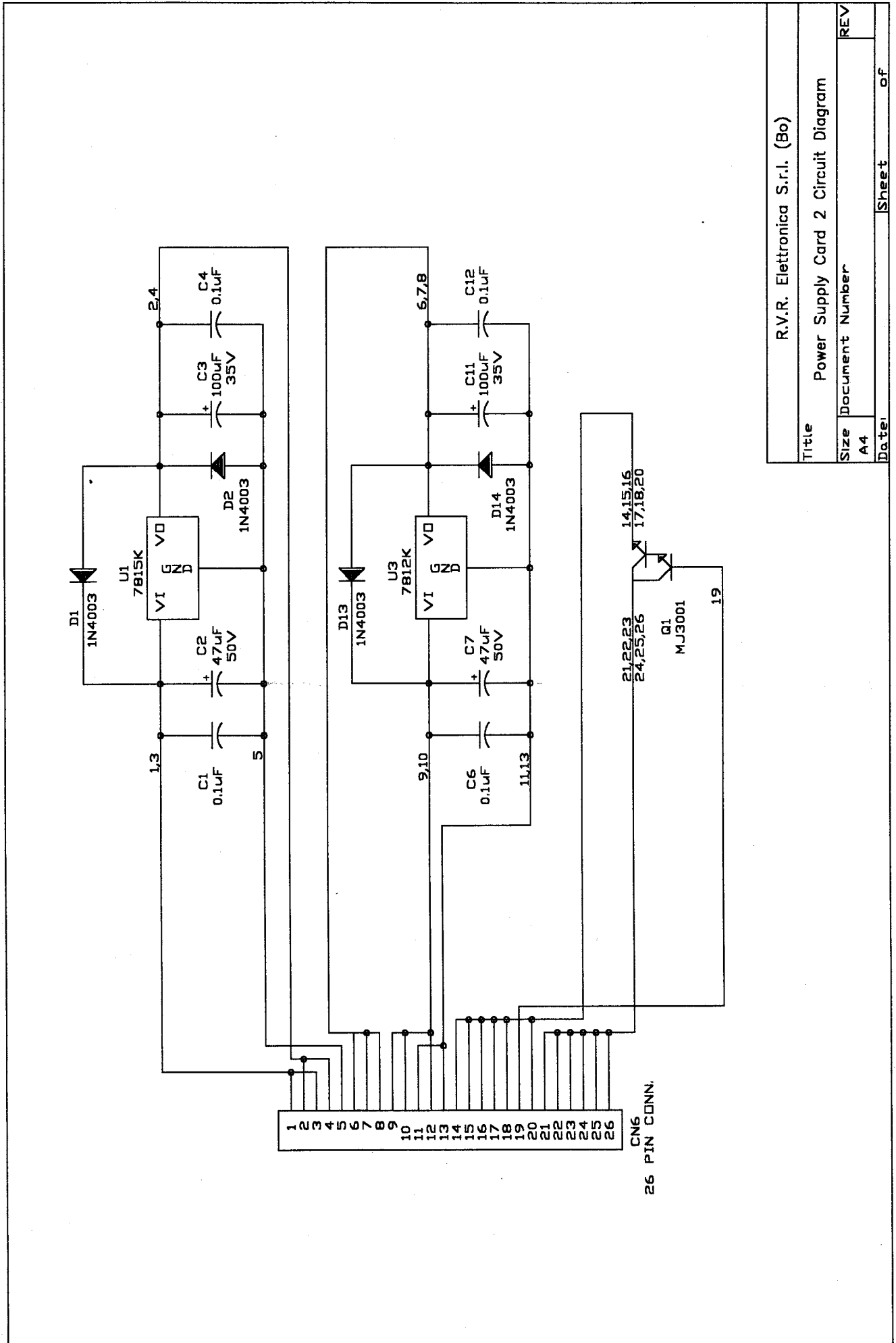
Power Supply Card 1

Bill of Materials/Lista Componenti Pag. 3

Item	Quantity	Reference	Part	Description	Part Order Code
47	1	U8	LM723	VAR. STABILIZER 100mA	CILLM723
48	2	Q2,Q3	BC237	NPN TRANSISTOR	TRNBC237
49	3	U6,U7,U9	LM358N	DOUBLE OP. AMP.	CILLM358N



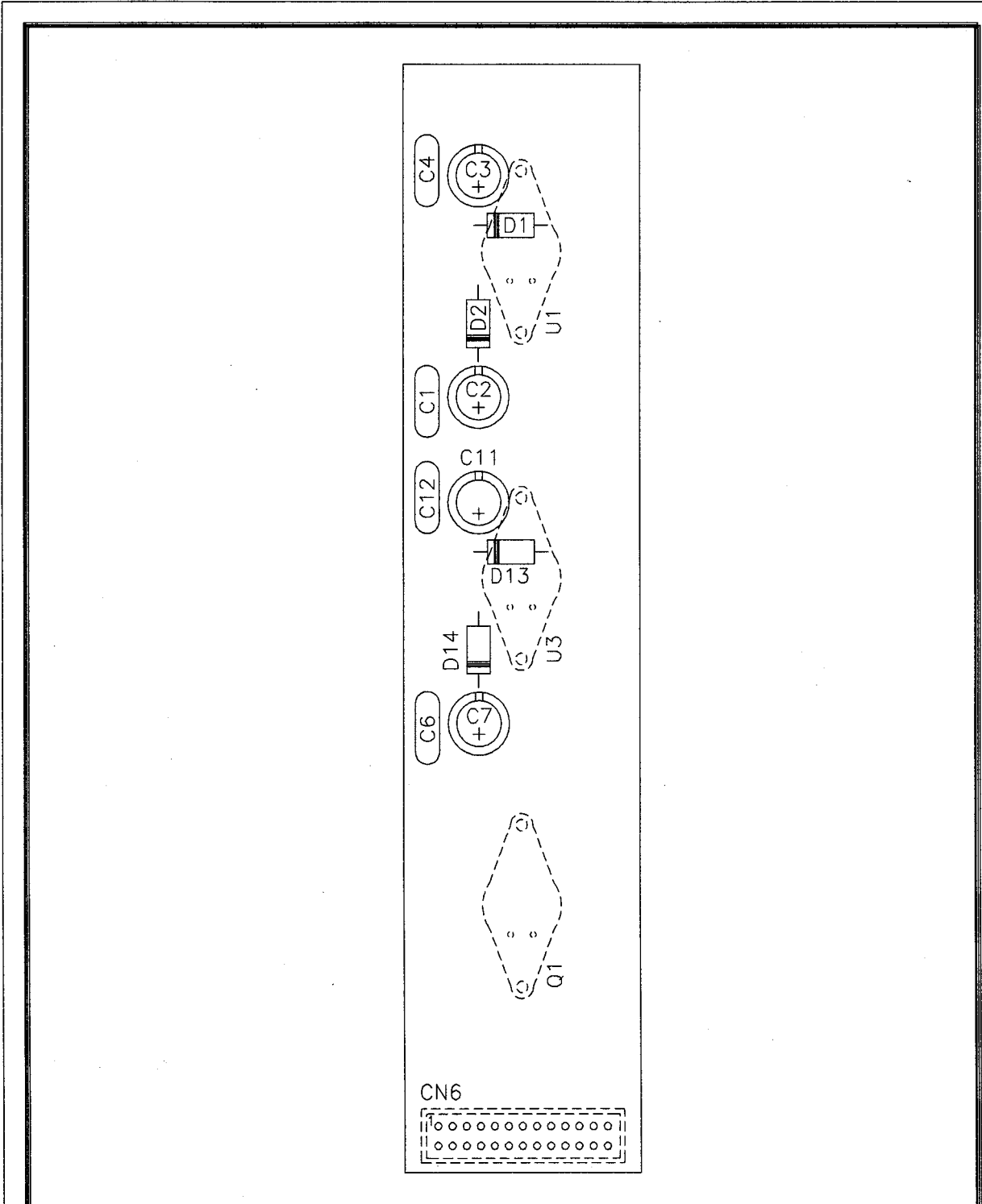
 B.V.R. - ELETTRONICA -	DENOMINAZIONE	
	Power Supply Card 1 Component Layout / Piano di Montaggio	
SEMILAVORATO	DISPOSITIVO	
	PTRL-NV/2 (Aural STL Transmitter)	
MATERIALE	DISEGNATO	
	D'Alessio D. U.	
TRATTAMENTO	SCALA	
	TAVOLA n. di	




R.V.R. Elettronica S.r.l. (Bo)	
Title	Power Supply Card 2 Circuit Diagram
Size	Document Number
A4	REV
Date	Sheet of

Power Supply Card 2 Bill of Materials/Lista Componenti Pag. 1

Item	Quantity	Reference	Part	Description	Part Order Code
1	4	C1,C4,C6, C12	0.1 μ F	CERAMIC CAPACITOR	CKM104BK600P
2	2	C2,C7	47 μ F	ELECTROLYTIC CAPACITOR	CEA476BM630
3	2	C3,C11	100 μ F	ELECTROLYTIC CAPACITOR	CEA107BM350
4	1	CN6	26P CONN.	CONN. M 2*13 P 2.54	CNTMCSFC26P
5	4	D1,D2, D13,D14	1N4003	SILICON DIODE 200V	DIS1N4003
6	1	U3	7812K	POS. STABILIZER 1.5A	CIL7812K
7	1	U1	7815K	POS. STABILIZER 1.5A	CIL7815K
8	1	Q1	MJ3001	POWER TRANSISTOR	TRNMJ3001



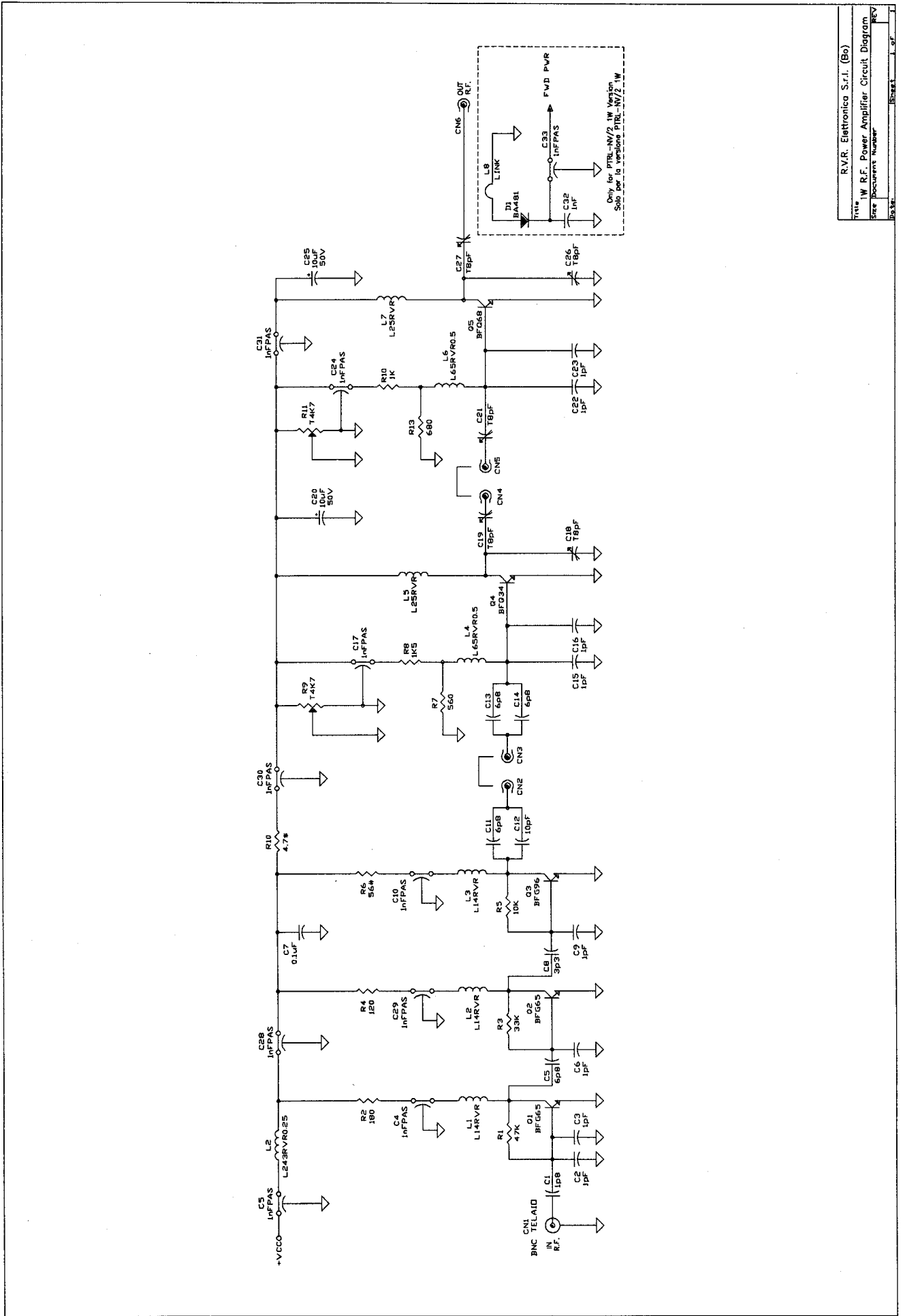
	DENOMINAZIONE Power Supply Card 2 Component Layout / Piano di Montaggio	
	DISPOSITIVO PTRL-NV (Aural STL Transmitter)	
SEMILAVORATO	DISEGNATO D'Alessio D. II	DISEGNO
MATERIALE	SCALA	TAVOLA n di
TRATTAMENTO		

1W R.F. POWER AMPLIFIER

<u>1</u>	<u>Circuit Diagram</u>	<u>Pag. 131</u>
<u>2</u>	<u>Bill of Materials</u>	<u>Pag. 132</u>
<u>3</u>	<u>Component Layout</u>	<u>Pag. 134</u>

1W R.F. POWER AMPLIFIER

<u>1</u>	<u>Schema Elettrico</u>	<u>Pag. 131</u>
<u>2</u>	<u>Lista dei Componenti</u>	<u>Pag. 132</u>
<u>3</u>	<u>Piano di Montaggio</u>	<u>Pag. 134</u>

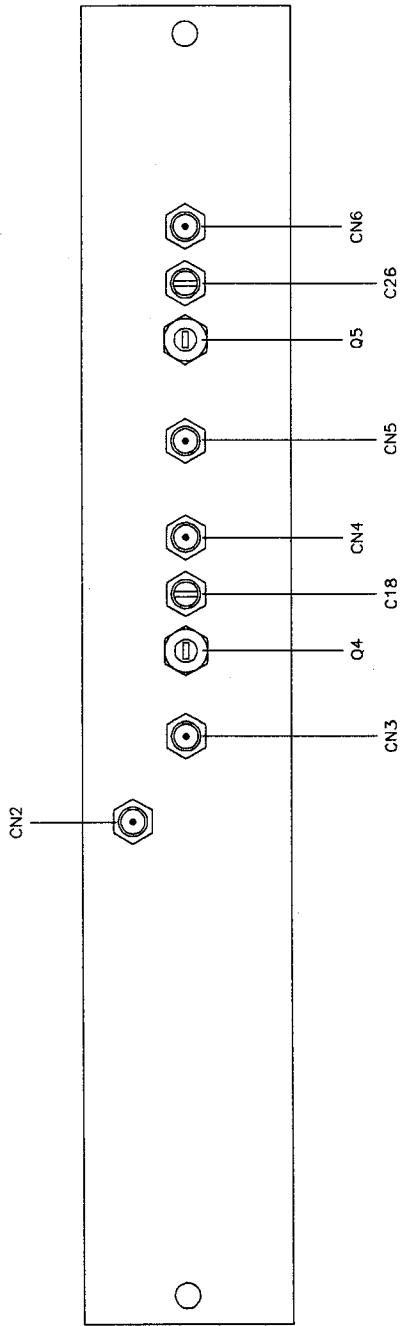


R.V.R. Elettronica S.r.l. (Bo)	
Title	1W R.F. Power Amplifier Circuit Diagram
See	Document Number
REV	
Page	131 of 131

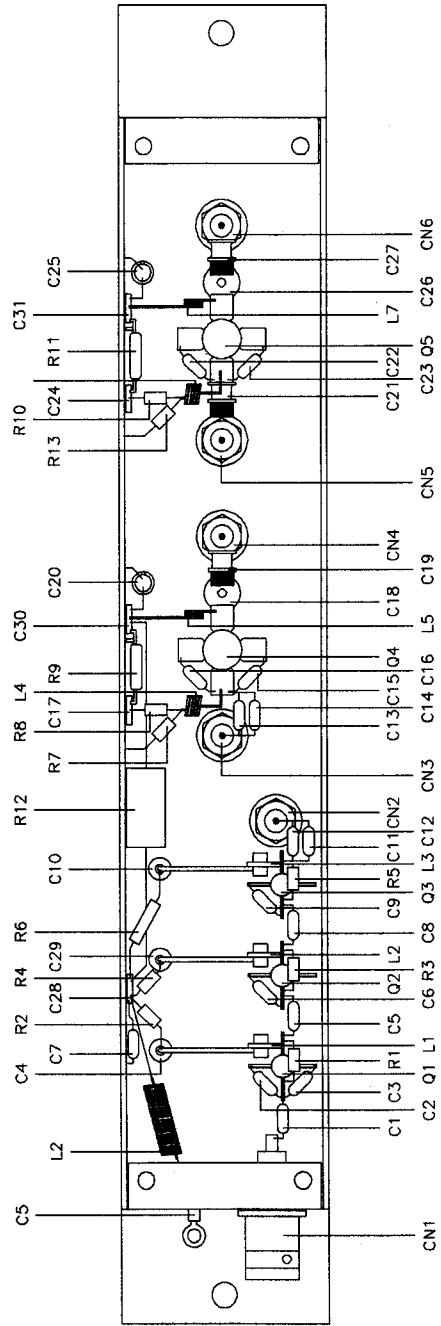
1W R.F. Power Amplifier			Bill of Materials/Lista Componenti		Pag. 1
Item	Quantity	Reference	Part	Description	Part Order Code
1	1	R10	4.7 Ω	RESISTOR 5W	RAF005JH04,7
2	1	R6	56 Ω	RESISTOR 2W	RSC002JH0056
3	1	R4	120	RESISTOR 1/4W 5%	RSC1/4JH0120
4	1	R2	180	RESISTOR 1/4W 5%	RSC1/4JH0180
5	1	R7	560	RESISTOR 1/4W 5%	RSC1/4JH0560
6	1	R13	680	RESISTOR 1/4W 5%	RSC1/4JH0680
7	1	R10	1K	RESISTOR 1/4W 5%	RSC1/4JK0001
8	1	R8	1K5	RESISTOR 1/4W 5%	RSC1/4JK01,5
9	1	R5	10K	RESISTOR 1/4W 5%	RSC1/4JK0010
10	1	R3	33K	RESISTOR 1/4W 5%	RSC1/4JK0033
11	1	R1	47K	RESISTOR 1/4W 5%	RSC1/4JK0047
12	2	R9,R11	T4K7	TRIMMER REG. VERT. 10mm	RVTD10VK04,7
13	8	C2,C3,C6, C9,C15,C16, C22,C23	1pF	CERAMIC CAPACITOR NPO	CKM010BJ600C
14	1	C1	1p8	CERAMIC CAPACITOR NPO	CKM1,8BJ600C
15	1	C8	3p3	CERAMIC CAPACITOR NPO	CKM3,3BJ600C
16	4	C5,C11,C13, C14	6p8	CERAMIC CAPACITOR NPO	CKM6,8BJ600C
17	5	C18,C19, C21,C26,C27	T8pF	TRIMMER CAPACITOR	CVC080CK600
18	1	C12	10pF	CERAMIC CAPACITOR NPO	CKM100BJ600C
19	1	C32	1nF	CERAMIC CAPACITOR	CKM102BK600P
20	10	C4,C5,C10, C17,C24, C28,C29, C30,C31, C33	1nFPAS	CERAMIC THROUGH CAPAC.	CDP102XK500
21	1	C7	0.1 μ F	CERAMIC CAPACITOR	CKM104BK600P
22	2	C20,C25	10 μ F	ELECTROLYTIC CAPACITOR	CEA106AM350
23	3	L1,L2,L3	L14RVR	1 SP DIA 4	
24	1	L2	L243RVRO.25	24S D3 RAME SMAL 0.25	BFS24002524
25	2	L5,L7	L25RVR	2 SP DIA 5	

1W R.F. Power Amplifier Bill of Materials/Lista Componenti Pag. 2

Item	Quantity	Reference	Part	Description	Part Order Code
26	2	L4,L6	L65RVRO.5	6S D5 RAME SMAL 0.5mm	BFS05000605
27	1	L8	LINK	LINK FILO ARG. 1mm	CAVARG1000
28	1	CN1	BNC TELAIO	CONN. BNC A TELAIO	CNTBNCFPV
29	5	CN2,CN3, CN4,CN5,CN6	SMA TELAIO	CONN. SMA A TELAIO	CNTSMAFPFL
30	1	D1	BA481	HOT CARRIER DIODE	DHCBA481
31	1	Q4	BFQ34	NPN RF TRANSISTOR	TRNBFQ34
32	1	Q5	BFQ68	NPN RF TRANSISTOR	TRNBFQ68
33	2	Q1,Q2	BFG65	NPN RF TRANSISTOR	TRNBFG65
34	1	Q3	BFG96	NPN RF TRANSISTOR	TRNBFG96



TOP VIEW



INTERNAL VIEW

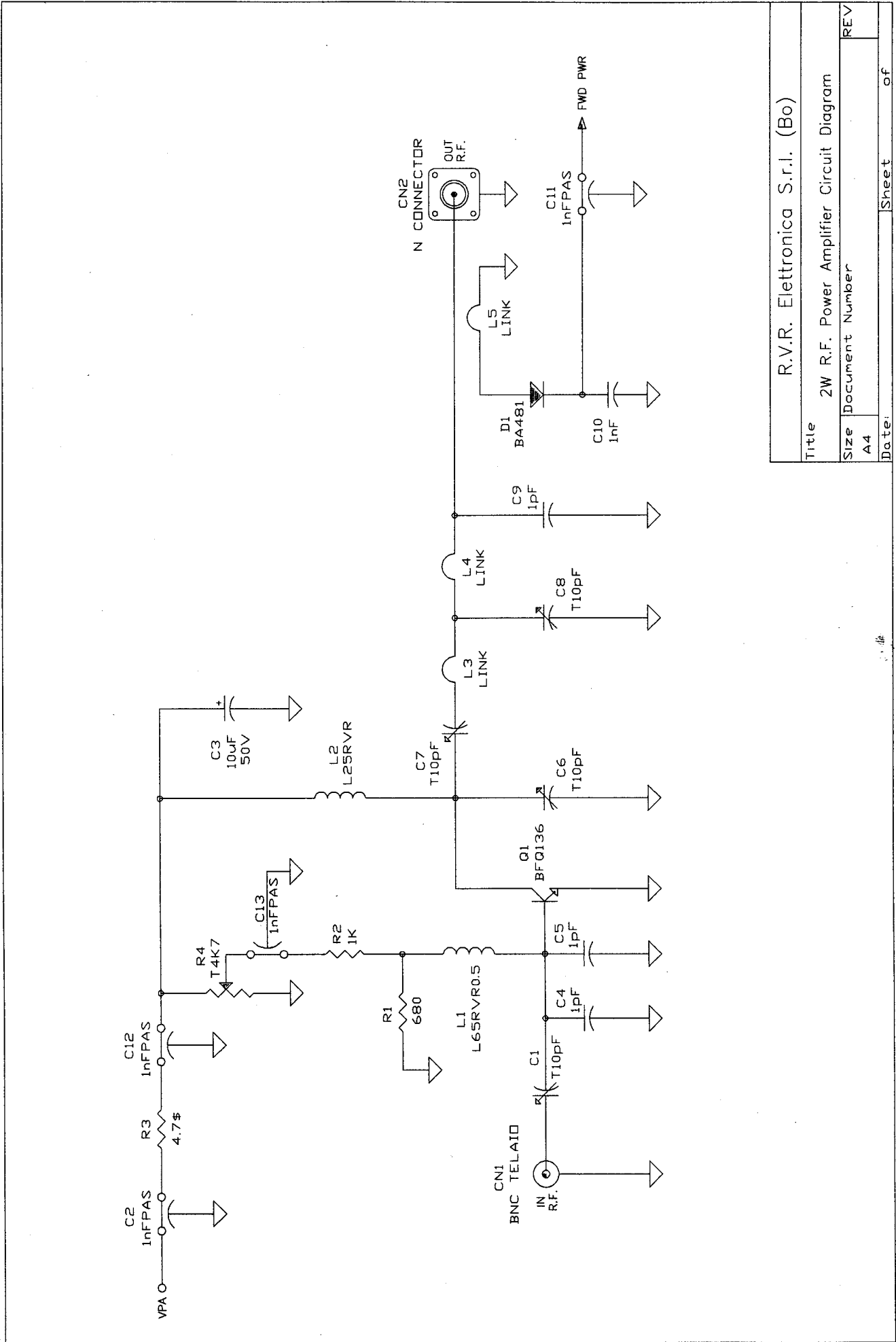
DENOMINAZIONE 1W R.F. Power Amplifier Component Layout / Piano di Montaggio	
DISPOSITIVO PTRL-NV/2 (Aural STL Transmitter)	
SEMILAVORATO	DISEGNATO D'Allesio D. II
MATERIALE	SCALA
TRATTAMENTO	TAVOLA n. di

2W R.F. POWER AMPLIFIER

<u>1</u>	<u>Circuit Diagram</u>	<u>Pag. 136</u>
<u>2</u>	<u>Bill of Materials</u>	<u>Pag. 137</u>
<u>3</u>	<u>Component Layout</u>	<u>Pag. 138</u>

2W R.F. POWER AMPLIFIER

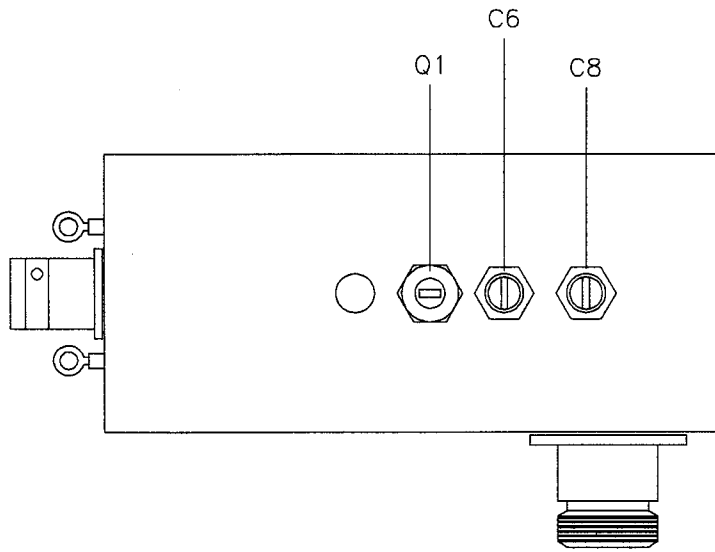
<u>1</u>	<u>Schema Elettrico</u>	<u>Pag. 136</u>
<u>2</u>	<u>Lista dei Componenti</u>	<u>Pag. 137</u>
<u>3</u>	<u>Piano di Montaggio</u>	<u>Pag. 138</u>



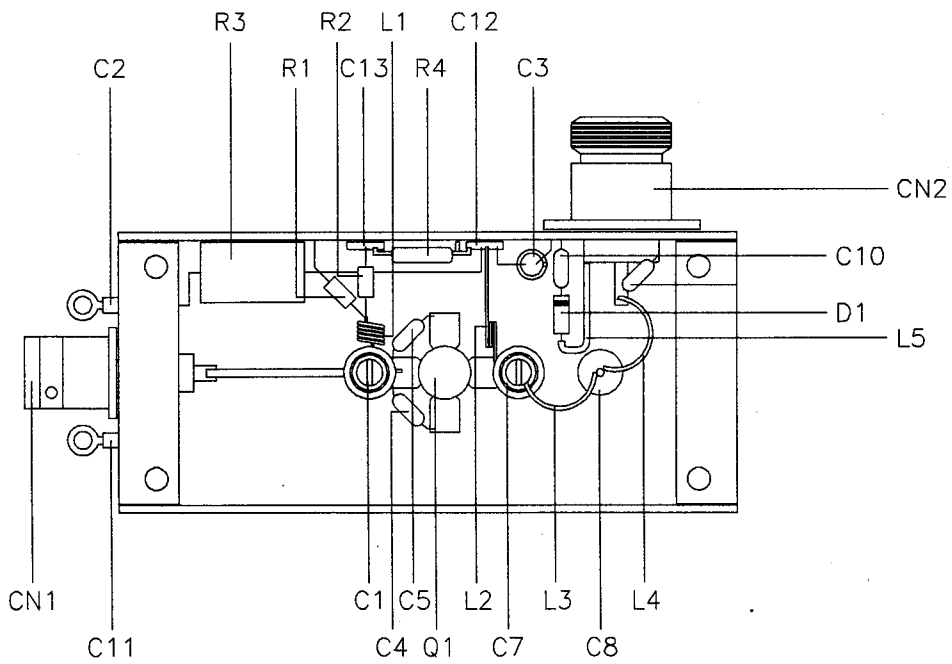
Title		R.V.R. Elettronica S.r.l. (Bo)	
Size		2W R.F. Power Amplifier Circuit Diagram	
Document Number	REV		
A4			
Date:	Sheet	of	

2W R.F. Power Amplifier Bill of Materials/Lista Componenti Pag. 1


Item	Quantity	Reference	Part	Description	Part Order Code
1	1	R3	4.7 Ω	RESISTOR 5W	RAF005JH04,7
2	1	R1	680	RESISTOR 1/4W 5%	RSC1/4JH0680
3	1	R2	1K	RESISTOR 1/4W 5%	RSC1/4JK0001
4	1	R4	T4K7	TRIMMER REG. VERT. 10mm	RVTD10VK04,7
5	3	C4,C5,C9	1pF	CERAMIC CAPACITOR NPO	CKM010BJ600C
6	4	C1,C6,C7,C8	T10pF	TRIMMER CAPACITOR	CVC100CK600
7	1	C10	1nF	CERAMIC CAPACITOR	CKM102BK600P
8	4	C2,C11, C12,C13	1nFPAS	CERAMIC THROUGH CAPAC.	CDP102XK500
9	1	C3	10 μ F	ELECTROLYTIC CAPACITOR	CEA106AM350
10	1	L2	L25RVR	2 SP DIA 5	
11	1	L1	L65RVRO.5	67S D5 RAME SMAL 0.5mm	BFS05000605
12	1	L5	LINK	LINK FILO ARG. 1mm	CAVARG1000
13	2	L3,L4	BANDRM3.5	BANDELLA RAME DI 3.5mm	
14	1	CN1	BNC TELAIO	CONN. BNC A TELAIO	CNTBNCFPV
15	1	CN2	N CONNECTOR	CONN. N A TELAIO	CNTNFPFL
16	1	D1	1N4148	SILICON DIODE	DIS1N4148
17	1	Q1	BFQ136	NPN RF TRANSISTOR	TRNBFQ136



TOP VIEW



INTERNAL VIEW

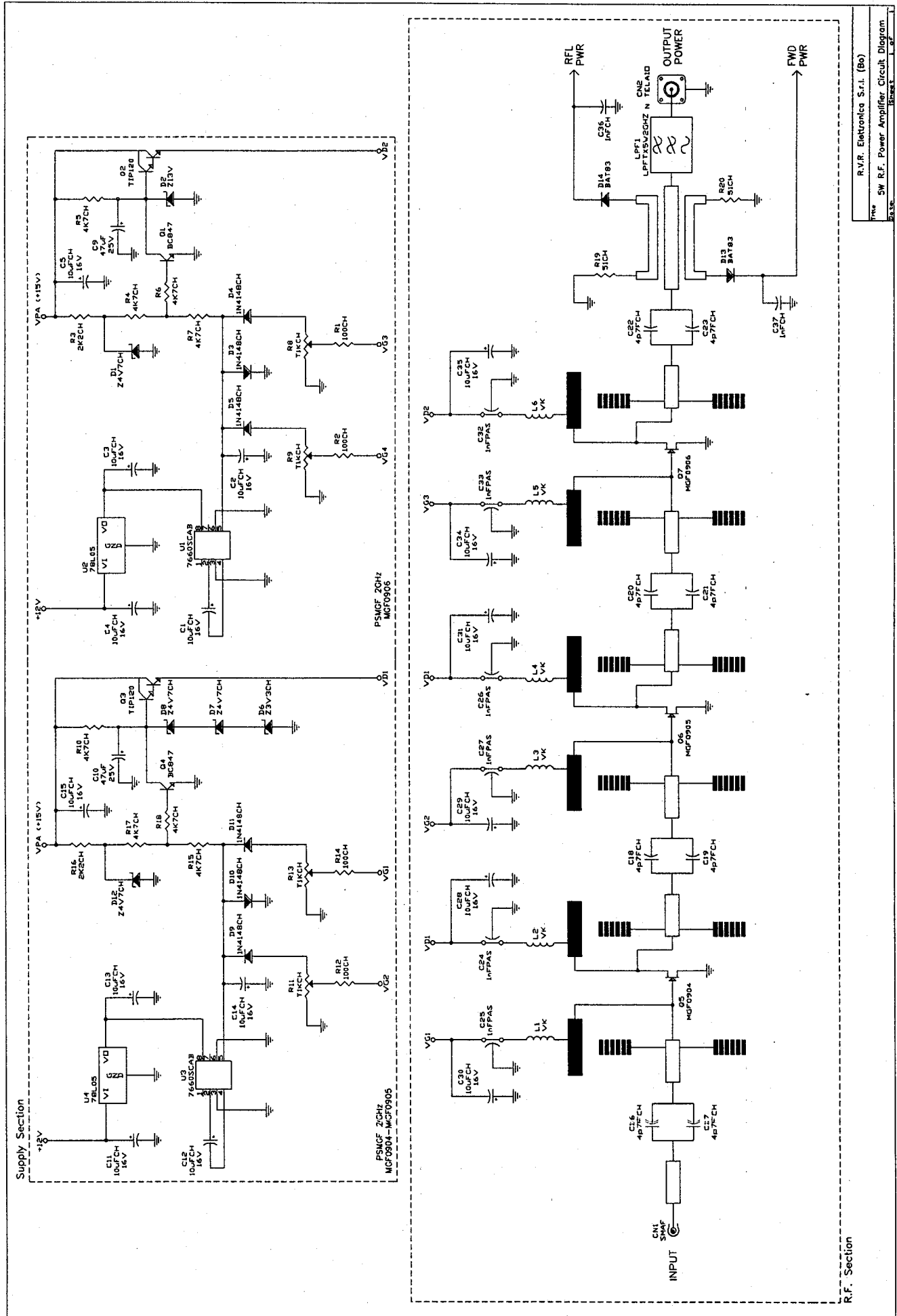
	DENOMINAZIONE 2W R.F. Power Amplifier Component Layout / Piano di Montaggio	
	DISPOSITIVO PTRL-NV/2 (Aural STL Transmitter)	
SEMILAVORATO	DISEGNATO D'Alessio D. II	DISEGNO
MATERIALE	SCALA	TAVOLA n. di
TRATTAMENTO		

5W R.F. POWER AMPLIFIER

<u>1</u>	<u>Circuit Diagram</u>	<u>Pag. 140</u>
<u>2</u>	<u>Bill of Materials</u>	<u>Pag. 141</u>
<u>3</u>	<u>Component Layout</u>	<u>Pag. 143</u>

5W R.F. POWER AMPLIFIER

<u>1</u>	<u>Schema Elettrico</u>	<u>Pag. 140</u>
<u>2</u>	<u>Lista dei Componenti</u>	<u>Pag. 141</u>
<u>3</u>	<u>Piano di Montaggio</u>	<u>Pag. 143</u>

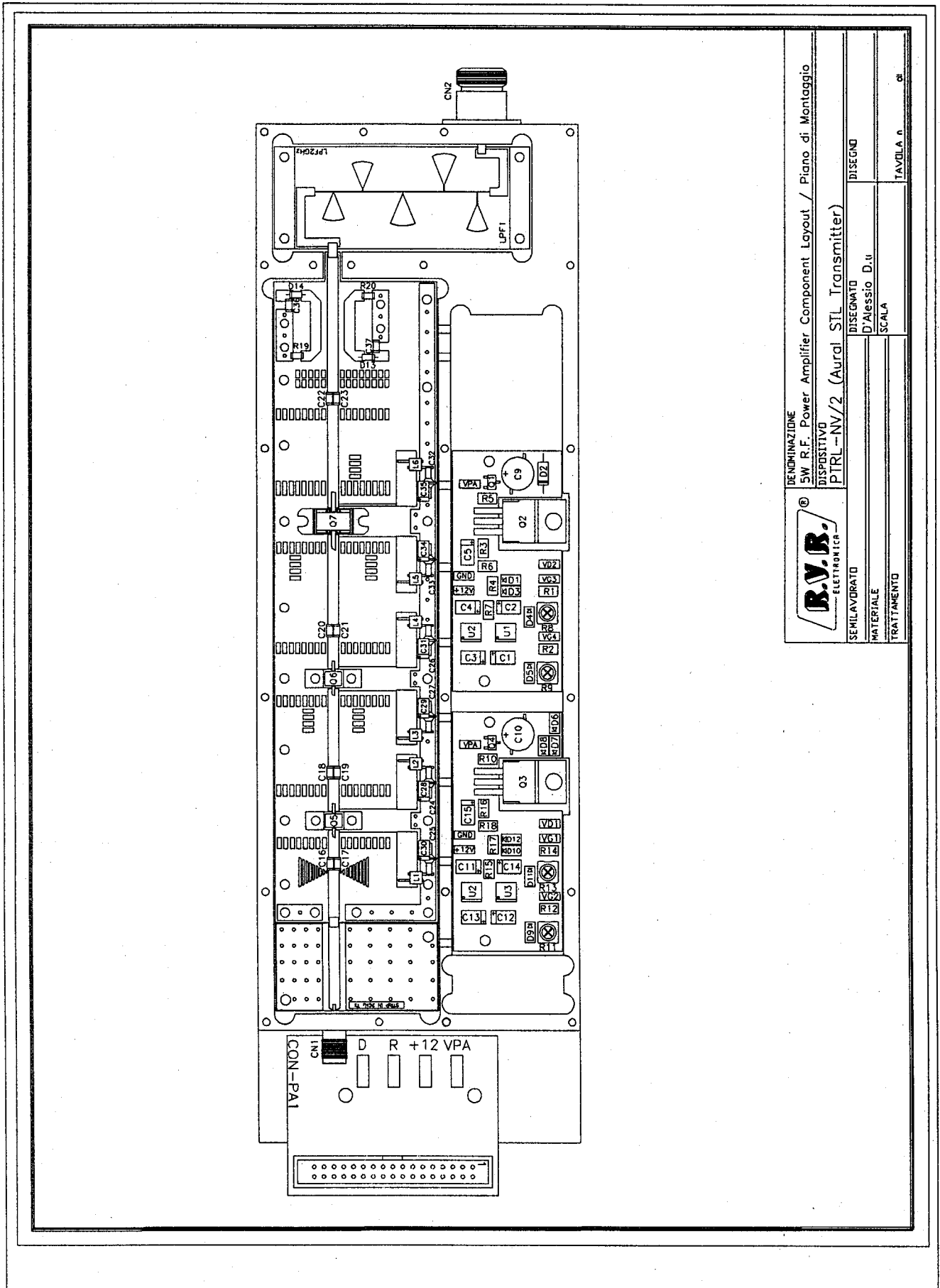


5W R.F. Power Amplifier Bill of Materials/Lista Componenti Pag. 1

Item	Quantity	Reference	Part	Description	Part Order Code
1	2	R19,R20	51CH	CHIP RESISTOR	RCC1/4JH0051
2	4	R1,R2,R12, R14	100CH	CHIP RESISTOR	RCC1/4JH0100
3	2	R3,R16	2K2CH	CHIP RESISTOR	RCC1/4JK02,2
4	8	R4,R5,R6, R7,R10,R15, R17,R18	4K7CH	CHIP RESISTOR	RCC1/4JH04,7
5	4	R8,R9,R11, R13	T1KCH	TRIMMER REG. VER. CHIP	RVTDCCVK0001
6	8	C16,C17, C18,C19, C20,C21, C22,C23	4p7FCH	CERAMIC CHIP CAPACITOR	CCC4,7AJ500
7	2	C36,C37	1nFCH	CERAMIC CHIP CAPACITOR	CCC102AJ500
8	6	C24,C25, C26,C27, C32,C33	1nFPAS	CERAMIC THROUGH CAPAC.	CDP102XK500
9	16	C1,C2,C3, C4,C5,C11, C12,C13, C14,C15, C28,C29, C30,C31, C34,C35	10μFCH	ELECTR. CHIP CAPACITOR	CMQ106M16
10	2	C9,C10	47μF	ELECTROLYTIC CAPACITOR	CEA476BM630
11	6	L1,L2,L3, L4,L5,L6	VK	RF CHOKE	IMPVK00A
12	1	LPF1	LPFTX5W2GHZ	L.P. FILTER TX 5W 2GHz	FLPTX5W2GHZ
13	1	CN1	SMAF	CONN. SMA F TELAIO	CNTSMAF
14	1	CN2	N TELAIO	CONN. N A TELAIO	CNTNFPFL
15	6	D3,D4,D5, D9,D10,D11	1N4148CH	CHIP SILICON DIODE	DIS1N4148C
16	2	D13,D14	BAT83	HOT CARRIER DIODE	DHCBAT83
17	1	D6	Z3V3CH	ZENER DIODE 3.3V 0.4W	DIZ3V30W4C
18	4	D1,D7,D8, D12	Z4V7CH	ZEN. DIOD. 4.7V 0.4W CH	DIZ4V70W4C
19	1	D2	Z13V	ZENER DIODE 13V 0.4W	DIZ13V0W4
20	2	U1,U3	7660SCAB	+5V TO -5V VOLT. CONV.	ICL7660SCAB

5W R.F. Power Amplifier Bill of Materials/Lista Componenti Pag. 2

Item	Quantity	Reference	Part	Description	Part Order Code
21	2	U2,U4	78L05	POS. STABILIZER 100mA	CIL78L05
22	2	Q1,Q4	BC847	CHIP NPN TRANSISTOR	TRNBC847
23	2	Q2,Q3	TIP120	NPN DARLINGTON	TRNTIP120
24	1	Q5	MGF0904	POWER GASFET MGF0904	TRNMGF0904
25	1	Q6	MGF0905	POWER GASFET MGF0905	TRNMGF0905
26	1	Q7	MGF0906	POWER GASFET MGF0906	TRNMGF0906



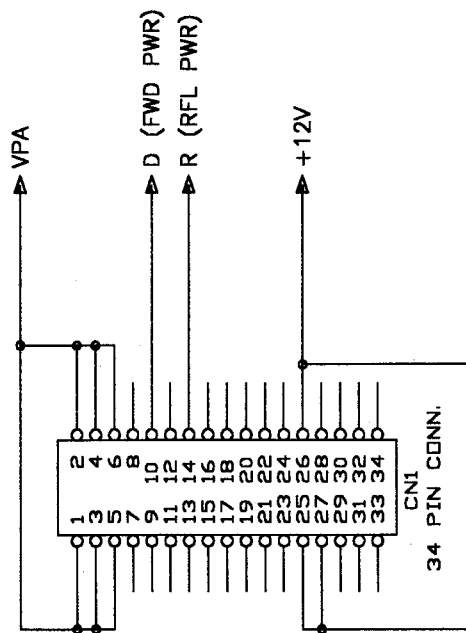
DENOMINAZIONE 5W R.F. Power Amplifier Component Layout / Piano di Montaggio	
DISPOSITIVO PTRL-NV/2 (Aural STL Transmitter)	
SEMILAVORATO	DISEGNATO D'Alessio D.ii
MATERIALE	SCALA
TRATTAMENTO	TAVOLA n.
	di

CON-PA CARD

<u>1</u>	<u>Circuit Diagram</u>	<u>Pag. 145</u>
<u>2</u>	<u>Bill of Materials</u>	<u>Pag. 146</u>
<u>3</u>	<u>Component Layout</u>	<u>Pag. 147</u>

CON-PA CARD

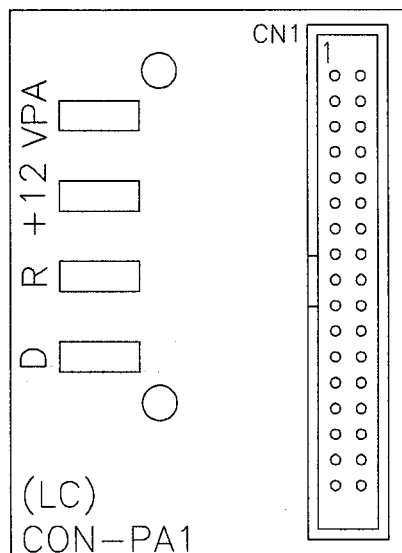
<u>1</u>	<u>Schema Elettrico</u>	<u>Pag. 145</u>
<u>2</u>	<u>Lista dei Componenti</u>	<u>Pag. 146</u>
<u>3</u>	<u>Piano di Montaggio</u>	<u>Pag. 147</u>



Title		R.V.R. Elettronica S.r.l. (Bo)
Size		A4
Document Number		CON-PA Card Circuit Diagram
REV		
Date:	Sheet	of

1W CON-PA Card Bill of Materials/Lista Componenti Pag. 1

Item	Quantity	Reference	Part	Description	Part Order Code
1	1	CN1	34P CONN.	CONN. M 2*17 P 2.54	CNTMCSFC34P



DENOMINAZIONE
 CON-PA Card Component Layout / Piano di Montaggio
 DISPOSITIVO
 PTRL-NV (Aural STL Transmitter)

SEMILAVORATO

DISEGNATO

DISEGNO

MATERIALE

D'Alessio D. li

TRATTAMENTO

SCALA

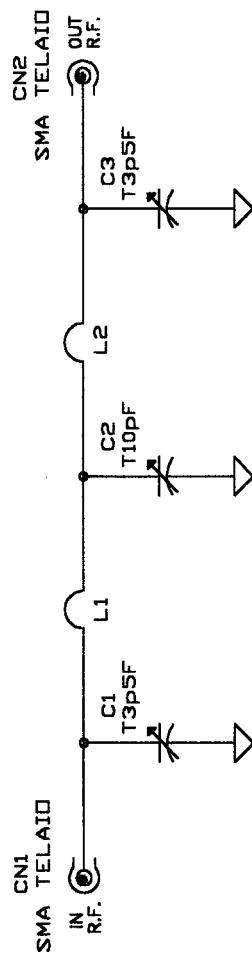
TAVOLA n di

1W R.F. POWER AMPLIFIER'S LOW PASS FILTER

<u>1</u>	<u>Circuit Diagram</u>	<u>Pag. 149</u>
<u>2</u>	<u>Bill of Materials</u>	<u>Pag. 150</u>
<u>3</u>	<u>Component Layout</u>	<u>Pag. 151</u>

LOW PASS FILTER DEL R.F. POWER AMPLIFIER 1W

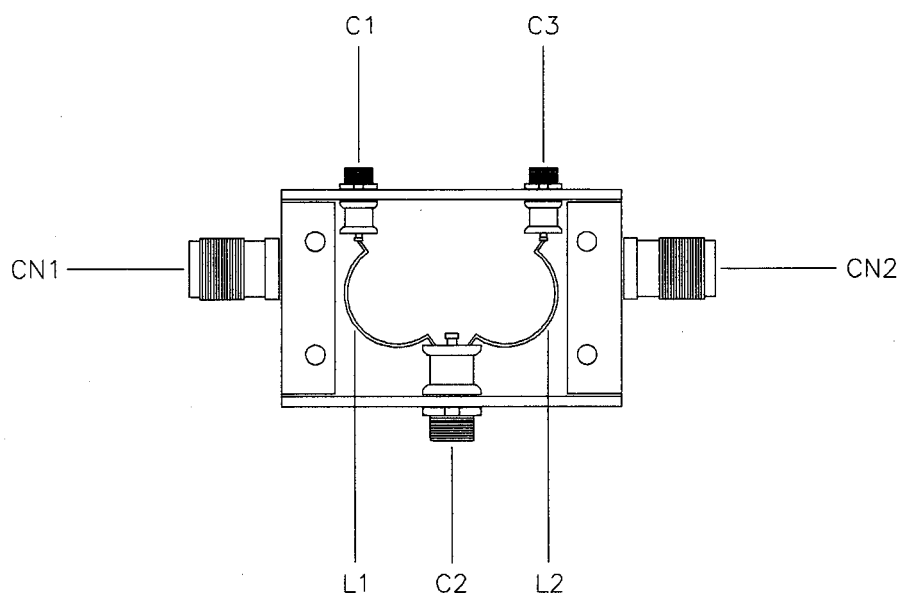
<u>1</u>	<u>Schema Elettrico</u>	<u>Pag. 149</u>
<u>2</u>	<u>Lista dei Componenti</u>	<u>Pag. 150</u>
<u>3</u>	<u>Piano di Montaggio</u>	<u>Pag. 151</u>



R.V.R. Elettronica S.r.l. (Bo)	
Title Low Pass Filter Circuit Diagram	
Size A4	Document Number REV
Date:	Sheet of

Low Pass Filter Bill of Materials/Lista Componenti Pag. 1

Item	Quantity	Reference	Part	Description	Part Order Code
1	2	C1,C3	T3p5F	TRIMMER CAPACITOR	CVC3,50CK600
2	1	C2	T10pF	TRIMMER CAPACITOR	CVC100CK600
3	2	L1,L2	BANDRM3.5	BANDELLA RAME DI 3.5mm	
4	2	CN1,CN2	SMA TELAIO	CONN. SMA A TELAIO	CNTSMAPPFL



DENOMINAZIONE
Low Pass Filter Component Layout / Piano di Montaggio

DISPOSITIVO
PTRL-NV/2 (Aural STL Transmitter)

SEMILAVORATO

DISEGNATO

DISEGNO

MATERIALE

D'Alessio D. II

TRATTAMENTO

SCALA

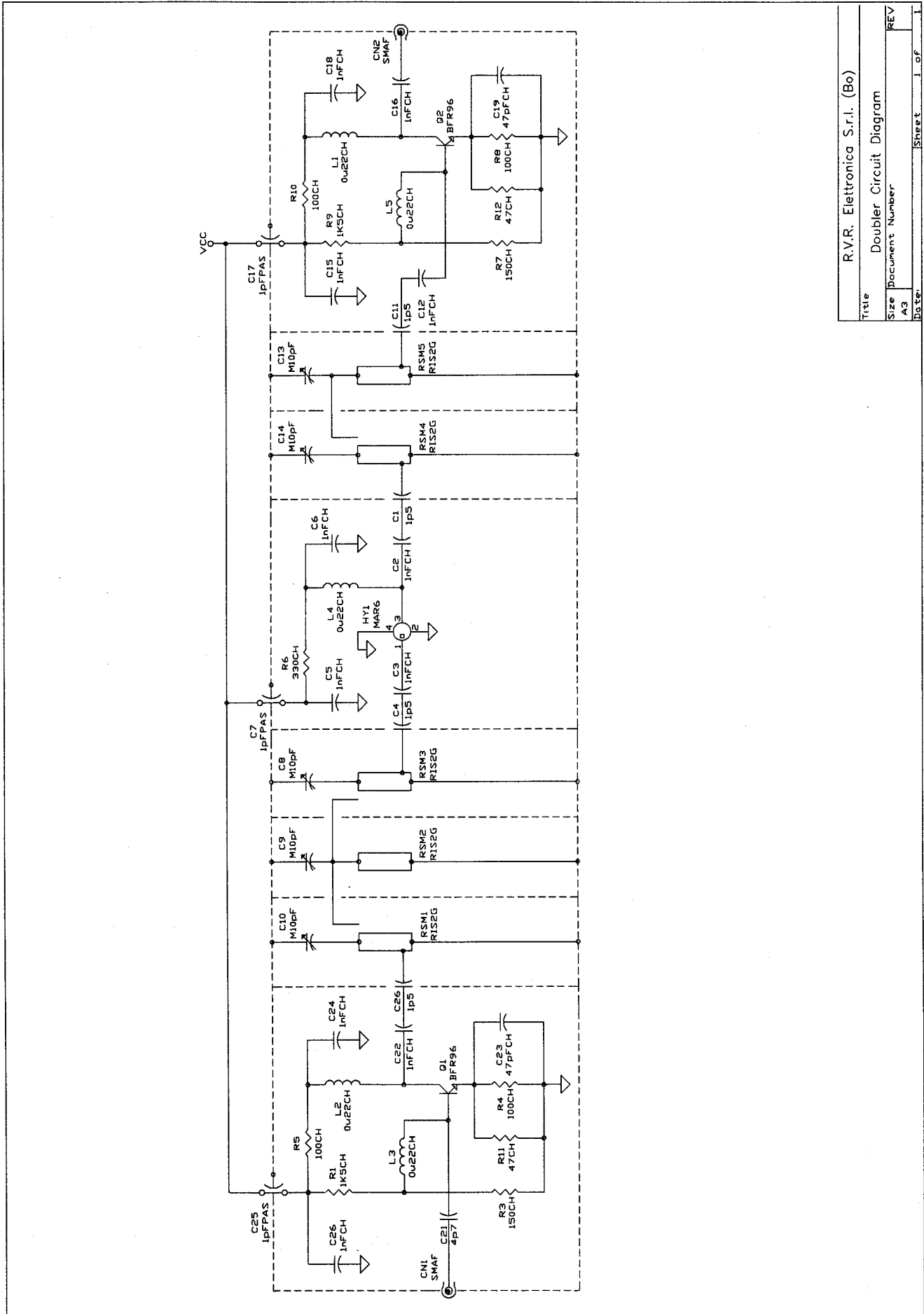
TAVOLA n di

DOUBLER

<u>1</u>	<u>Circuit Diagram</u>	<u>Pag. 153</u>
<u>2</u>	<u>Bill of Materials</u>	<u>Pag. 154</u>
<u>3</u>	<u>Component Layout</u>	<u>Pag. 155</u>

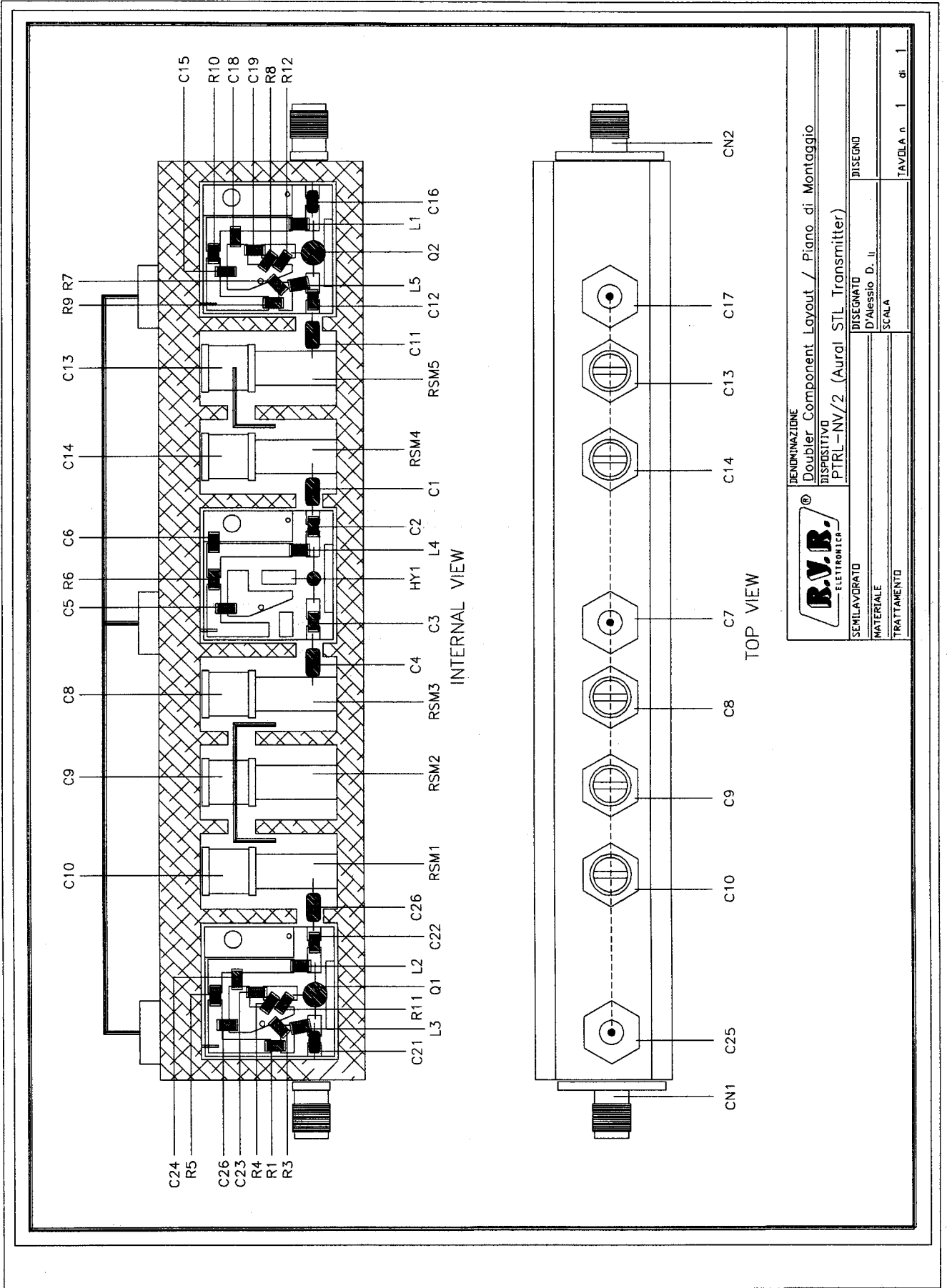
DOUBLER

<u>1</u>	<u>Schema Elettrico</u>	<u>Pag. 153</u>
<u>2</u>	<u>Lista dei Componenti</u>	<u>Pag. 154</u>
<u>3</u>	<u>Piano di Montaggio</u>	<u>Pag. 155</u>



R.V.R. Elettronica S.r.l. (Bo)	
Title	Doubler Circuit Diagram
Size	Document Number
A3	REV
Bo Ver.	Sheet 1 of 1

Doubler		Bill of Materials/Lista Componenti			Pag. 1
Item	Quantity	Reference	Part	Description	Part Order Code
1	4	R4,R5,R8, R10	100CH	CHIP RESISTOR	RCC1/4JH0100F
2	2	R3,R7	150CH	CHIP RESISTOR	RCC1/4JH0150F
3	2	R1,R9	1K5CH	CHIP RESISTOR	RCC1/4JH01,5
4	4	C1,C4,C11, C26	1p5	CERAMIC CAPACITOR NPO	CKM1,5BJ600C
5	1	C21	4p7	CERAMIC CAPACITOR NPO	CKM4,7BJ600C
6	5	C8,C9,C10, C13,C14	M10pF	PRECISION TRIMMER CAP.	CVA100BK101
7	2	C19,C23	47pFCH	CERAMIC CHIP CAPACITOR	CCC470AJ500
8	11	C2,C3,C5, C6,C12,C15, C16,C18,C22, C24,C26	1nFCH	CERAMIC CHIP CAPACITOR	CCC102AJ500
9	3	C7,C17,C25	1nFPAS	CERAMIC THROUGH CAPAC.	CDP102XK500
10	5	L1,L2,L3, L4,L5	0 μ 22CH	CHIP RF CHOKE	
11	5	RSM1,RSM2, RSM3,RSM4, RSM5	RIS2G	2GHZ LINE	
12	2	CN1,CN2	SMAF	CONN. SMA F TELAIO	CNTSMAF
13	2	Q1,Q2	BFR96	NPN RF TRANSISTOR	TRNBFR96
14	1	HY1	MAR6	HYBRID AMP MAR6	MIBMAR6
15	1	R6	330CH	CHIP RESISTOR	RCC1/4JH0330F
16	2	R11,R12	47CH	CHIP RESISTOR	RCC1/4JH0047F



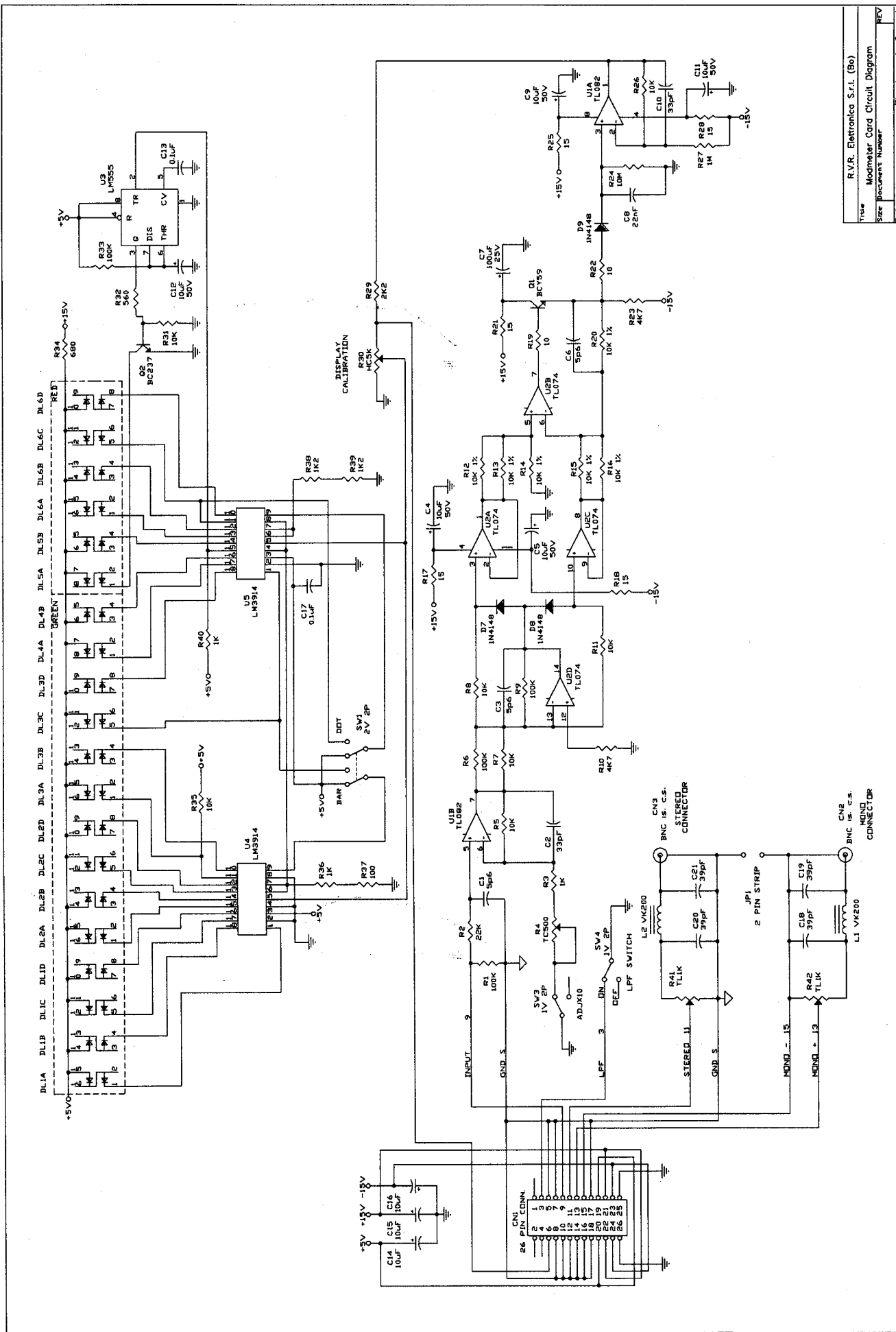
B.V.B. ELETTRONICA		DENOMINAZIONE Doubler Component Layout / Piano di Montaggio	
SEMILAVORATO		DISPOSITIVO PTRL-NV/2 (Aural STL Transmitter)	
MATERIALE		DISEGNO D'Alessio D. II	
TRATTAMENTO		SCALA	
		TAVOLA n. 1 di 1	

MODMETER CARD

<u>1</u>	<u>Circuit Diagram</u>	<u>Pag. 157</u>
<u>2</u>	<u>Bill of Materials</u>	<u>Pag. 158</u>
<u>3</u>	<u>Component Layout</u>	<u>Pag. 160</u>

MODMETER CARD

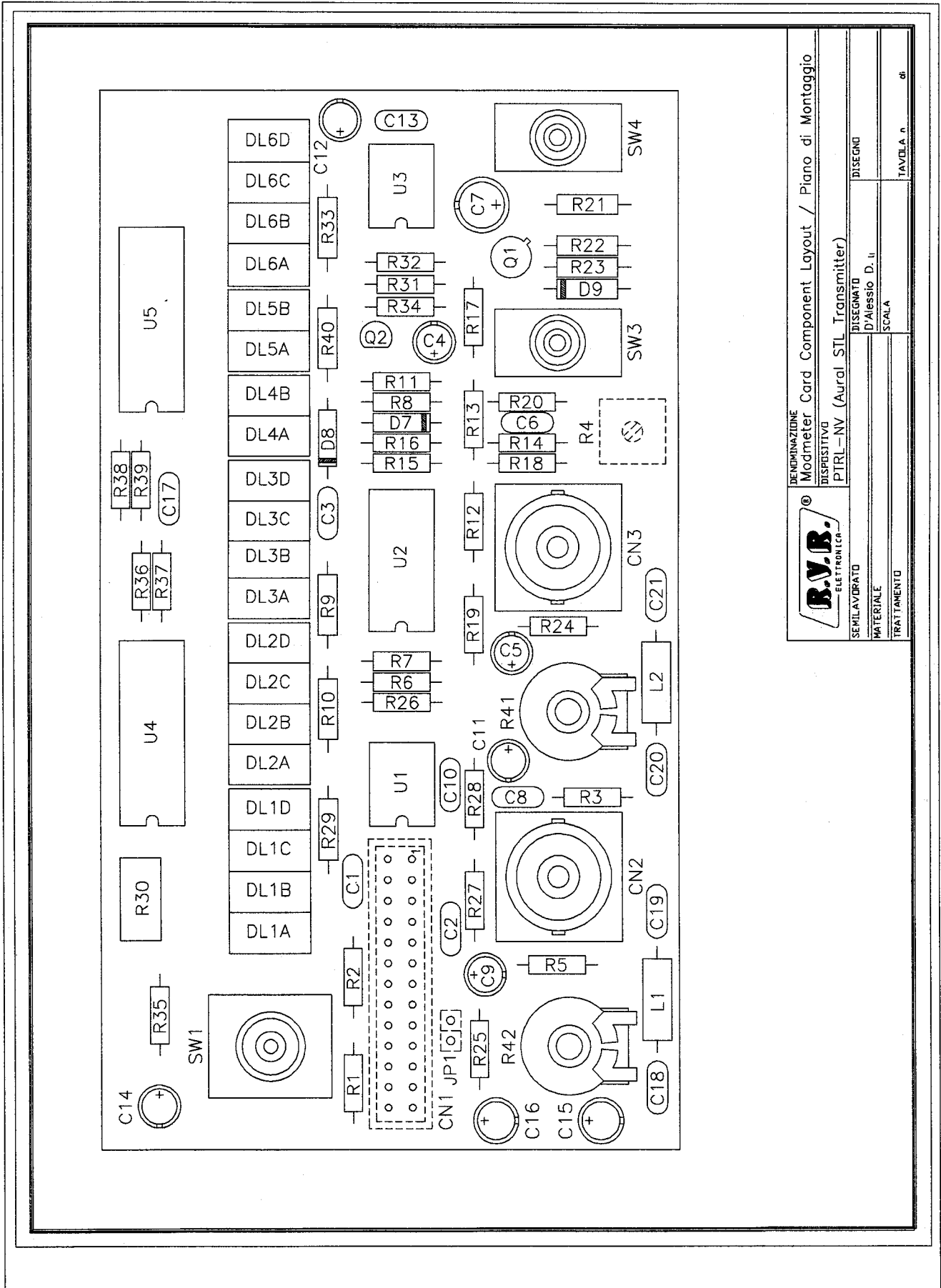
<u>1</u>	<u>Schema Elettrico</u>	<u>Pag. 157</u>
<u>2</u>	<u>Lista dei Componenti</u>	<u>Pag. 158</u>
<u>3</u>	<u>Piano di Montaggio</u>	<u>Pag. 160</u>



Title	R.V.R. Elettronica S.r.l. (Bo)
Size	Modem Card Circuit Diagram
REV	Revisions Number
	REV

Modmeter Card		Bill of Materials/Lista Componenti			Pag. 1
Item	Quantity	Reference	Part	Description	Part Order Code
1	2	R19,R22	10	RESISTOR 1/4W 5%	RSC1/4JH0010
2	5	R17,R18, R21,R25, R28	15	RESISTOR 1/4W 5%	RSC1/4JH0015
3	1	R37	100	RESISTOR 1/4W 5%	RSC1/4JH0100
4	1	R32	560	RESISTOR 1/4W 5%	RSC1/4JH0560
5	1	R34	680	RESISTOR 1/4W 5%	RSC1/4JH0680
6	3	R3,R36,R40	1K	RESISTOR 1/4W 5%	RSC1/4JK0001
7	2	R38,R39	1K2	RESISTOR 1/4W 5%	RSC1/4JK01,2
8	1	R29	2K2	RESISTOR 1/4W 5%	RSC1/4JK02,2
9	2	R10,R23	4K7	RESISTOR 1/4W 5%	RSC1/4JK04,7
10	6	R12,R13, R14,R15, R16,R20	10K 1%	RESISTOR 1/4W 1%	RSM1/4FK0010
11	7	R5,R7,R8, R11,R26, R31,R35	10K	RESISTOR 1/4W 5%	RSC1/4JK0010
12	1	R2	22K	RESISTOR 1/4W 5%	RSC1/4JK0022
13	4	R1,R6,R9, R33	100K	RESISTOR 1/4W 5%	RSC1/4JK0100
14	1	R27	1M	RESISTOR 1/4W 5%	RSC1/4JM0001
15	1	R24	10M	RESISTOR 1/4W 5%	RSC1/4JM0010
16	1	R4	TC500	TRIM. REG. VERT. CERMET	RVTCERVH0500
17	2	R41,R42	TL1K	TRIM. REG. VERT. 15mm	RVTD15VK0001
18	1	R30	HC5K	TRIM. REG. ORIZ. CERMET	RVTCEROK0005
19	1	ALB1	ALB	ALBERINO TRIMMER 15mm	ALBERINOXRVT
20	3	C1,C3,C6	5p6	CERAMIC CAPACITOR NPO	CKM5,6BJ600C
21	2	C2,C10	33pF	CERAMIC CAPACITOR NPO	CKM330BJ600C
22	4	C18,C19, C20,C21	39pF	CERAMIC CAPACITOR NPO	CKM390BJ600C
23	1	C8	22nF	CERAMIC CAPACITOR	CKM223BK600P
24	2	C13,C17	0.1 μ F	CERAMIC CAPACITOR	CKM104BK600P
25	1	C7	100 μ F	ELECTROLYTIC CAPACITOR	CEA107BM350

Modmeter Card		Bill of Materials/Lista Componenti			Pag. 2
Item	Quantity	Reference	Part	Description	Part Order Code
26	8	C4,C5,C9, C11,C12, C14,C15, C16	10 μ F	ELECTROLYTIC CAPACITOR	CEA106AM350
27	2	L1,L2	VK200	RF CHOKE	IMPVK200
28	1	JP1	2 PIN STRIP	STRIP M P 2.54 2 PIN	CNTSTRIPMCS
29	1	CN1	26P CONN.	CONN. M 2*13 P 2.54	CNTMCSFC26P
30	2	CN2,CN3	BNC IS. C.S	CONN. BNC A STAMP. IS.	CNTBNCFCISIS
31	2	SW3,SW4	1V 2P	DEVIATORE 1 VIA 2 POS	DEV1V1103CS
32	1	SW1	2V 2P	DEVIATORE 2 VIE 2 POS	DEV2V1103CS
33	3	D7,D8,D9	1N4148	SILICON DIODE	DIS1N4148
34	1	DL5	HLMP2600	2 RED LED DIODE	LEDHLMP2600
35	1	DL6	HLMP2620	4 RED LED DIODE	LEDHLMP2620
36	1	DL4	HLMP2800	2 GREEN LED DIODE	LEDHLMP2800
37	3	DL1,DL2,DL3	HLMP2820	4 GREEN LED DIODE	LEDHLMP2820
38	1	Q2	BC237	NPN TRANSISTOR	TRNBC237
39	1	Q1	BCY59	NPN TRANSISTOR	TRNBCY59
40	1	U1	TL082	DOUBLE OP. AMP.	CILTL082
41	1	U2	TL074	QUAD OP. AMP.	CILTL074
42	1	U3	LM555	TIMER	CIL555
43	2	U4,U5	LM3914	BAR DOT LED DRIVER	CILLM3914



R.V.R.
ELETTRONICA

DEMINIAZIONE
Modem Card Component Layout / Piano di Montaggio
DISPOSITIVO

SEMILAVORATO
MATERIALE
TRATTAMENTO

DISSEGNO
D'Alessio D. II
SCALA

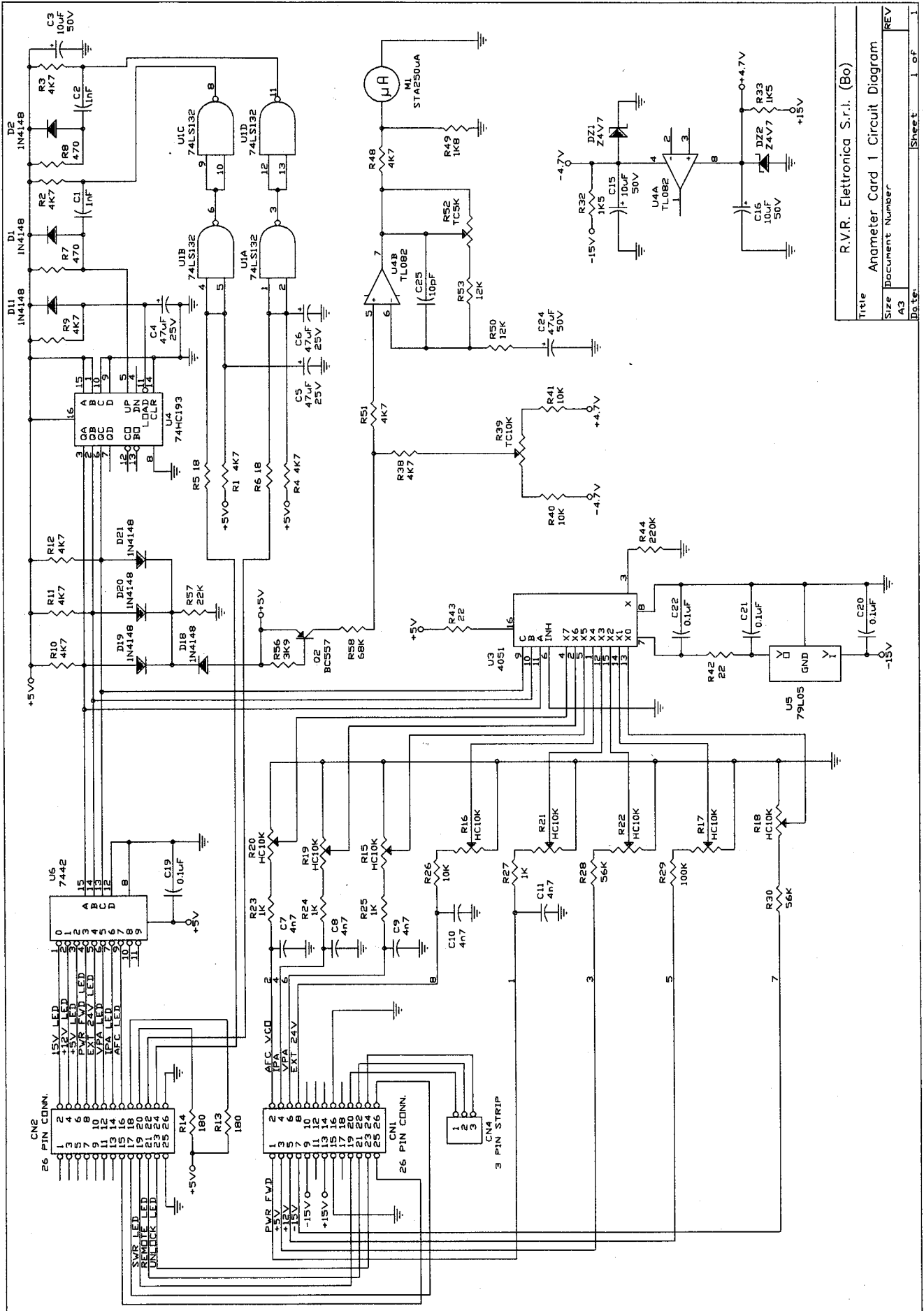
TAVOLA n. di

ANAMETER CARD

<u>1</u>	<u>Anameter Card 1 Circuit Diagram</u>	<u>Pag. 162</u>
<u>2</u>	<u>Anameter Card 1 Bill of Materials</u>	<u>Pag. 163</u>
<u>3</u>	<u>Anameter Card 1 Component Layout</u>	<u>Pag. 165</u>
<u>4</u>	<u>Anameter Card 2 Circuit Diagram</u>	<u>Pag. 166</u>
<u>5</u>	<u>Anameter Card 2 Bill of Materials</u>	<u>Pag. 167</u>
<u>6</u>	<u>Anameter Card 2 Component Layout</u>	<u>Pag. 168</u>

ANAMETER CARD

<u>1</u>	<u>Schema Elettrico dell'Anameter Card 1</u>	<u>Pag. 162</u>
<u>2</u>	<u>Lista dei Componenti dell'Anameter Card 1</u>	<u>Pag. 163</u>
<u>3</u>	<u>Piano di Montaggio dell'Anameter Card 1</u>	<u>Pag. 165</u>
<u>4</u>	<u>Schema Elettrico dell'Anameter Card 2</u>	<u>Pag. 166</u>
<u>5</u>	<u>Lista dei Componenti dell'Anameter Card 2</u>	<u>Pag. 167</u>
<u>6</u>	<u>Piano di Montaggio dell'Anameter Card 2</u>	<u>Pag. 168</u>



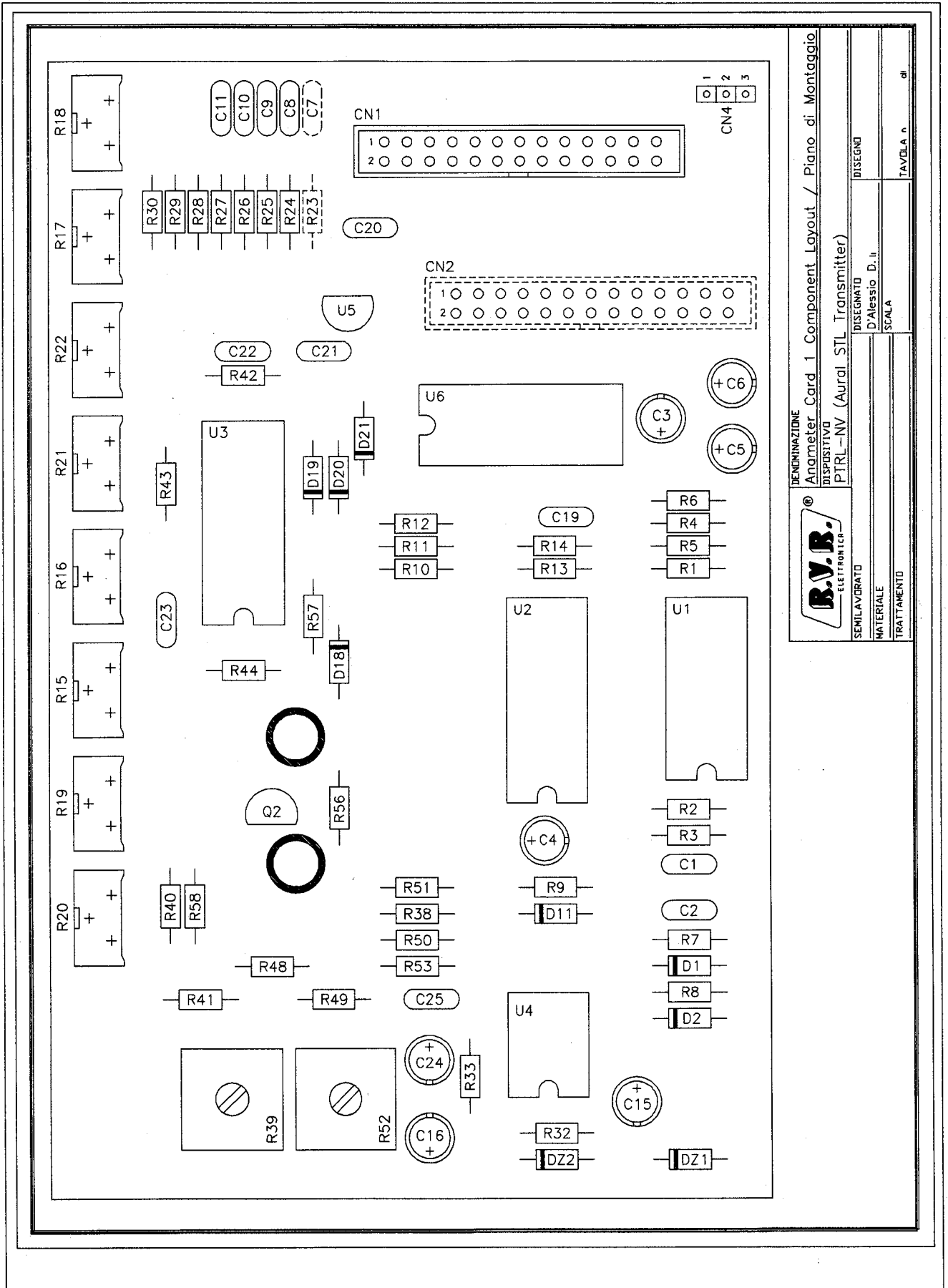
Title		R.V.R. Elettronica S.r.l. (Bo)	
Size		Anameter Card 1 Circuit Diagram	
A3	Document Number		
REV	Doc. No.	Sheet	1 of 1

Anameter Card 1 Bill of Materials/Lista Componenti

Pag. 1

Item	Quantity	Reference	Part	Description	Part Order Code
1	2	R5,R6	18	RESISTOR 1/4W 5%	RSC1/4JH0018
2	2	R42,R43	22	RESISTOR 1/4W 5%	RSC1/4JH0022
3	2	R13,R14	180	RESISTOR 1/4W 5%	RSC1/4JH0180
4	2	R7,R8	470	RESISTOR 1/4W 5%	RSC1/4JH0470
5	4	R23,R24, R25,R27	1K	RESISTOR 1/4W 5%	RSC1/4JK0001
6	2	R32,R33	1K5	RESISTOR 1/4W 5%	RSC1/4JK01,5
7	1	R49	1K8	RESISTOR 1/4W 5%	RSC1/4JK01,8
8	1	R56	3K9	RESISTOR 1/4W 5%	RSC1/4JK03,9
9	11	R1,R2,R3, R4,R9,R10, R11,R12, R38,R48, R51	4K7	RESISTOR 1/4W 5%	RSC1/4JK04,7
10	3	R26,R40,R41	10K	RESISTOR 1/4W 5%	RSC1/4JK0010
11	2	R50,R53	12K	RESISTOR 1/4W 5%	RSC1/4JK0012
12	1	R57	22K	RESISTOR 1/4W 5%	RSC1/4JK0022
13	2	R28,R30	56K	RESISTOR 1/4W 5%	RSC1/4JK0056
14	1	R58	68K	RESISTOR 1/4W 5%	RSC1/4JK0068
15	1	R29	100K	RESISTOR 1/4W 5%	RSC1/4JK0100
16	1	R44	220K	RESISTOR 1/4W 5%	RSC1/4JK0220
17	1	R52	TC5K	TRIM. REG. VERT. CERMET	RVTCERVK0005
18	1	R39	TC10K	TRIM. REG. VERT. CERMET	RVTCERVK0010
19	8	R15,R16, R17,R18, R19,R20, R21,R22	HC10K	TRIM. REG. ORIZ. CERMET	RVTCEROK0010
20	1	C25	10pF	CERAMIC CAPACITOR NPO	CKM100BJ600C
21	2	C1,C2	1nF	CERAMIC CAPACITOR	CKM102BK600P
22	5	C7,C8,C9, C10,C11	4n7	CERAMIC CAPACITOR	CKM472BK600P
23	4	C19,C20, C21,C22	0.1 μ F	CERAMIC CAPACITOR	CKM104BK600P
24	3	C3,C15,C16	10 μ F	ELECTROLYTIC CAPACITOR	CEA106AM350

Anameter Card 2 Bill of Materials/Lista Componenti					Pag. 2
Item	Quantity	Reference	Part	Description	Part Order Code
25	4	C4,C5,C6, C24	47 μ F	ELECTROLYTIC CAPACITOR	CEA476BM630
26	1	M1	STA250UA	STRUMENTO 250uA	SMABM55RQ251
27	1	CN4	3 PIN STRIP	STRIP M P 2.54 3 PIN	CNTSTRIPMCS
28	2	CN1,CN2	26P CONN.	CONN. M 2*13 P 2.54	CNTMCSFC26P
29	7	D1,D2,D11, D18,D19, D20,D21	1N4148	SILICON DIODE	DIS1N4148
30	2	DZ1,DZ2	Z4V7	ZENER DIODE 4.7V 0.4W	DIZ4V70W4
31	1	U5	79L05	NEG. STABILIZER 100mA	CIL79L05
32	1	Q2	BC557	PNP TRANSISTOR	TRNBC557
33	1	U4	TL082	DOUBLE OP. AMP.	CILTL082
34	1	U3	4051	ANALOG MULTIPLEXER	CID4051
35	1	U6	7442	TTL BCD DECODER	CID7442
36	1	U1	74LS132	TTL QUAD NAND TRIGGER	CID74LS132
37	1	U4	74HC193	CMOS BIN COUNTER	CID74HC193



DENOMINAZIONE
Anameter Card 1 Component Layout / Piano di Montaggio

DISPOSITIVO
PTRL-NV (Aural STL Transmitter)

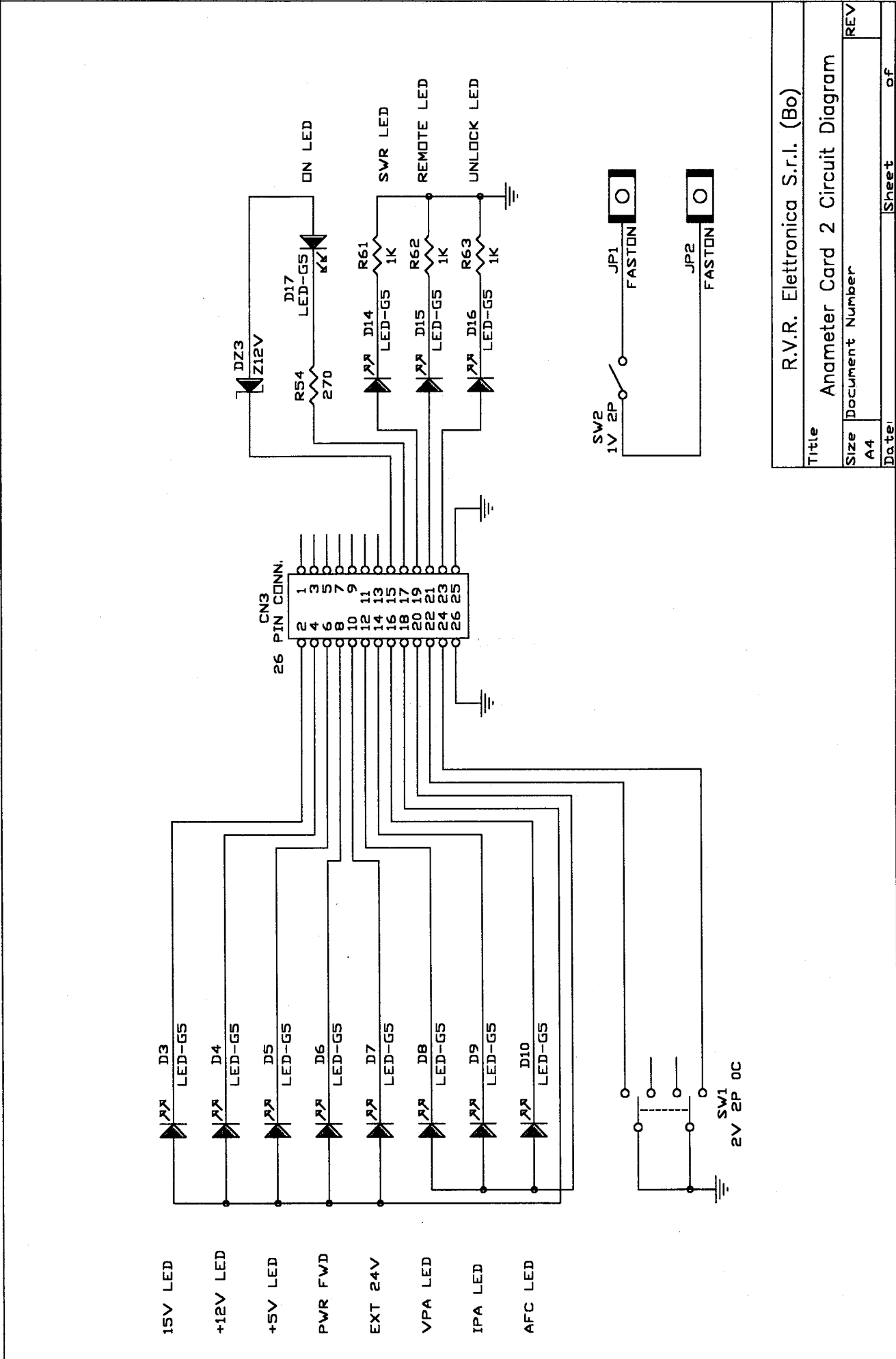
SEMILAVORATO
MATERIALE
TRATTAMENTO

DISSEGNO
D'Alessio D. II

SCALA

TAVOLA n. di

R.V.R.®
ELETTRON ICR

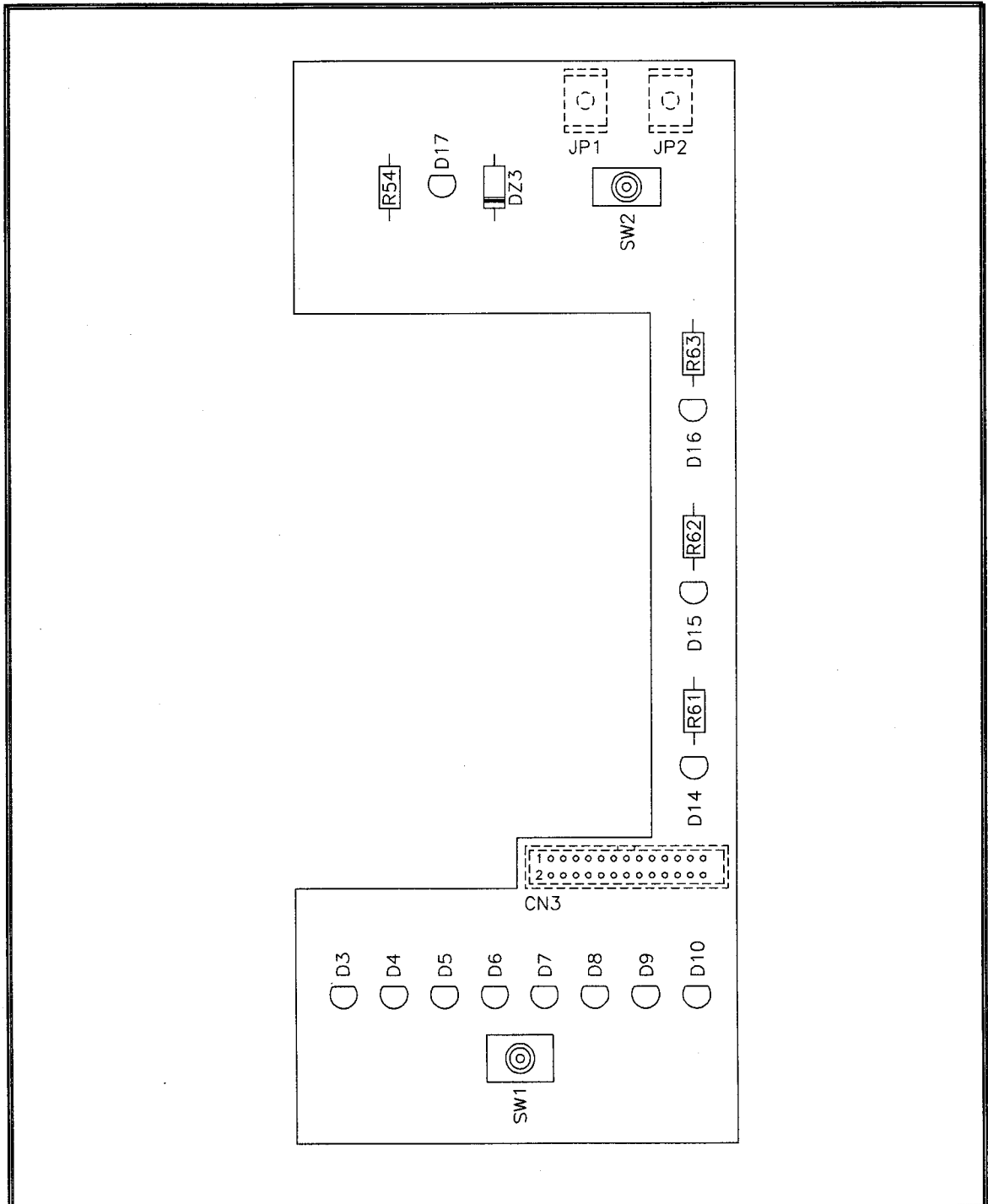



Title		R.V.R. Elettronica S.r.l. (Bo)	
Size		Anameter Card 2 Circuit Diagram	
Document Number		REV	
A4			
Date:		Sheet	of

Anameter Card 2 Bill of Materials/Lista Componenti

Pag. 1

Item	Quantity	Reference	Part	Description	Part Order Code
1	1	R54	270	RESISTOR 1/4W 5%	RSC1/4JH0270
2	3	R61,R62,R63	1K	RESISTOR 1/4W 5%	RSC1/4JK0001
3	2	JP1,JP2	FASTON	CONN. FASTON M C.S.	CNTFSTMCSGR
4	1	CN3	26P CONN.	CONN. M 2*13 P 2.54	CNTMCSFC26P
5	1	SW2	1V 2P	DEVIATORE 1 VIA 2 POS	DEV1V1103CS
6	1	SW1	2V 2P 0C	DEVIATORE 2V 2P 0C	DEV2V1M01M03
7	12	D3,D4,D5, D6,D7,D8, D9,D10, D14,D15, D16,D17	LED-G5	GREEN LED DIODE	LEDVE05
8	1	DZ3	Z12V	ZENER DIODE 12V 0.4W	DIZ12V0W4



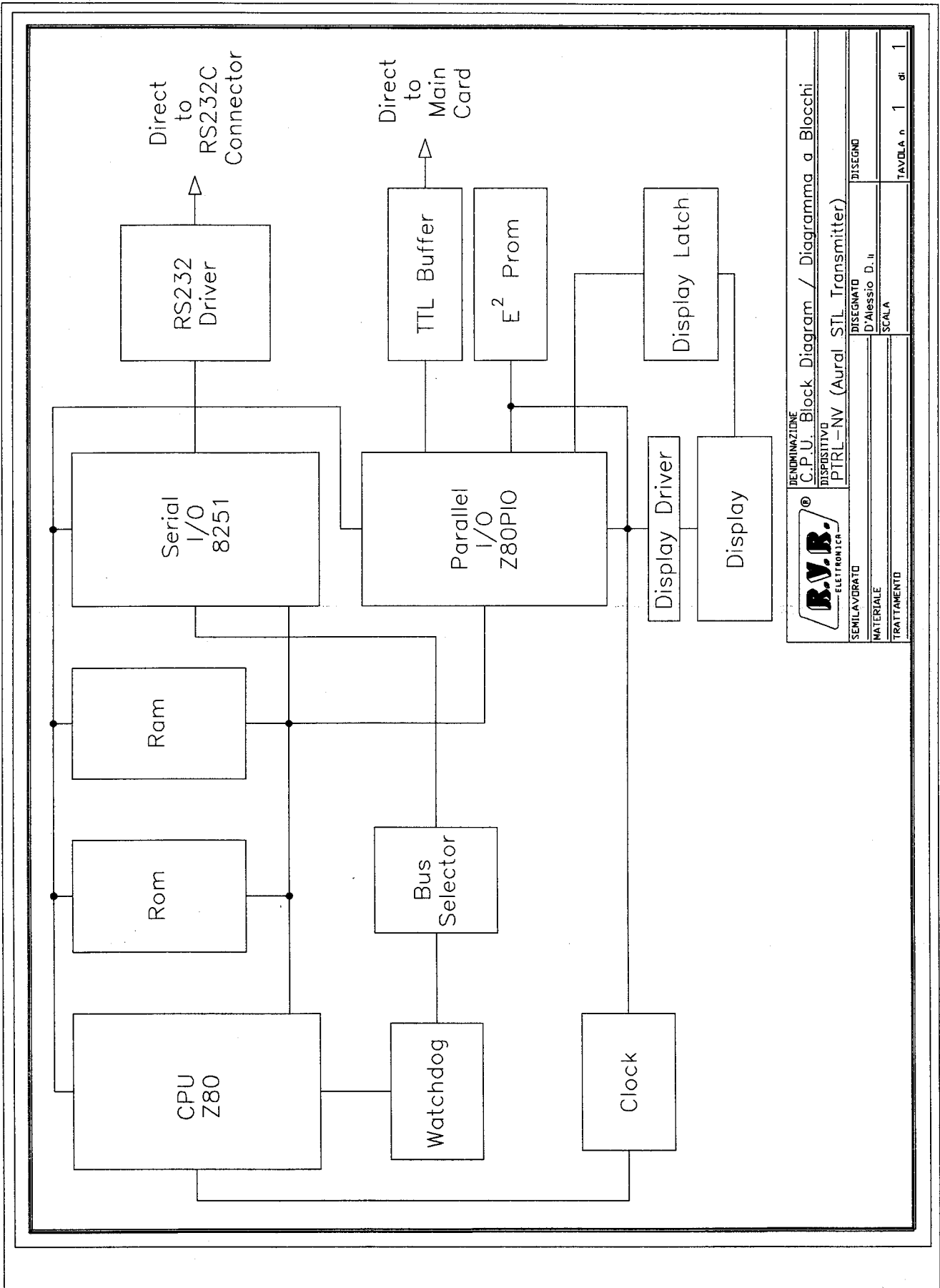
	DENOMINAZIONE	
	Anameter Card 2 Component Layout / Piano di Montaggio	
DISPOSITIVO		
PTRL-NV (Aural STL Transmitter)		
SEMILAVORATO	DISEGNATO	DISEGNO
MATERIALE	D'Alessio D. II	
TRATTAMENTO	SCALA	TAVOLA n di

C.P.U.

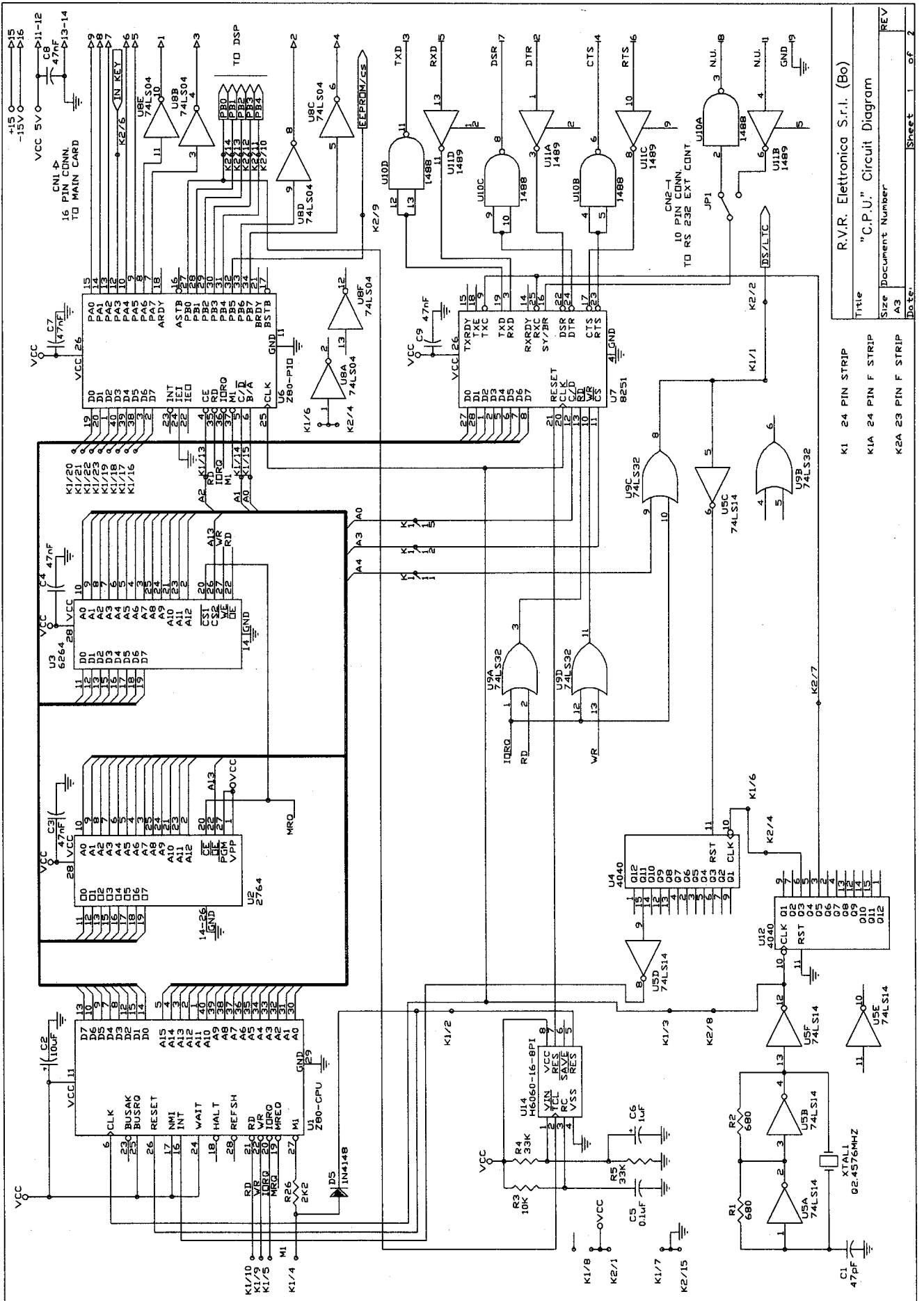
<u>1</u>	<u>Block Diagram</u>	<u>Pag. 170</u>
<u>2</u>	<u>Circuit Diagram</u>	<u>Pag. 171</u>
<u>3</u>	<u>Bill of Materials</u>	<u>Pag. 173</u>
<u>4</u>	<u>Component Layout</u>	<u>Pag. 175</u>

C.P.U.

<u>1</u>	<u>Diagramma a Blocchi</u>	<u>Pag. 170</u>
<u>2</u>	<u>Schema Elettrico</u>	<u>Pag. 171</u>
<u>3</u>	<u>Lista dei Componenti</u>	<u>Pag. 173</u>
<u>4</u>	<u>Piano di Montaggio</u>	<u>Pag. 175</u>

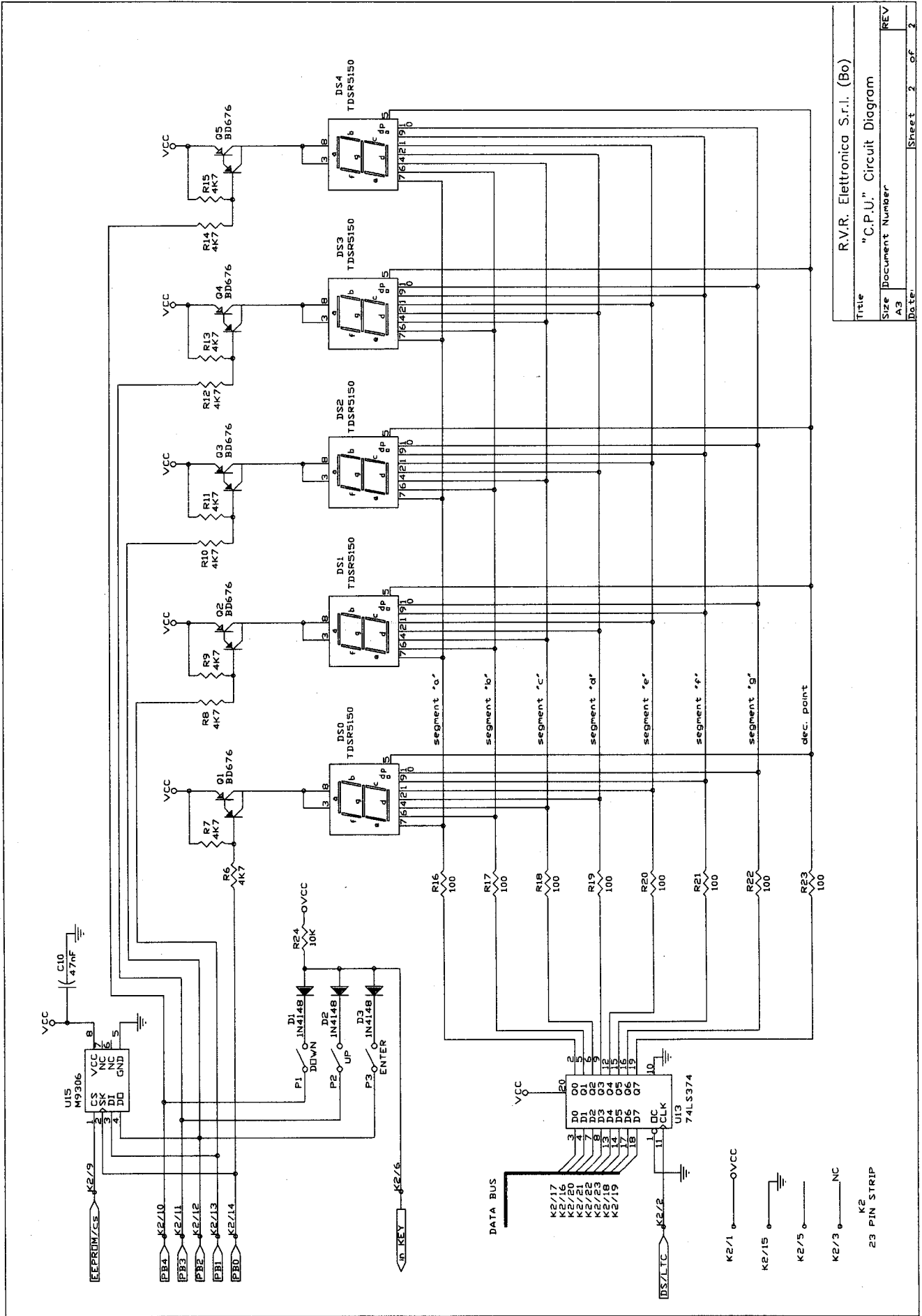


B.V.B. ELETTRONICA		DENOMINAZIONE C.P.U. Block Diagram / Diagramma a Blocchi	
SEMILAVORATO		DISPOSITIVO PTRL-NV (Aural STL Transmitter)	
MATERIALE		DISEGNATO D'Alessio D. II	
TRATTAMENTO		SCALA	
		TAVOLA n. 1 di 1	



R.V.R. Elettronica S.r.l. (Bo)	
Title "C.P.U." Circuit Diagram	
Size A3	Document Number
REV	Sheet 1 of 2

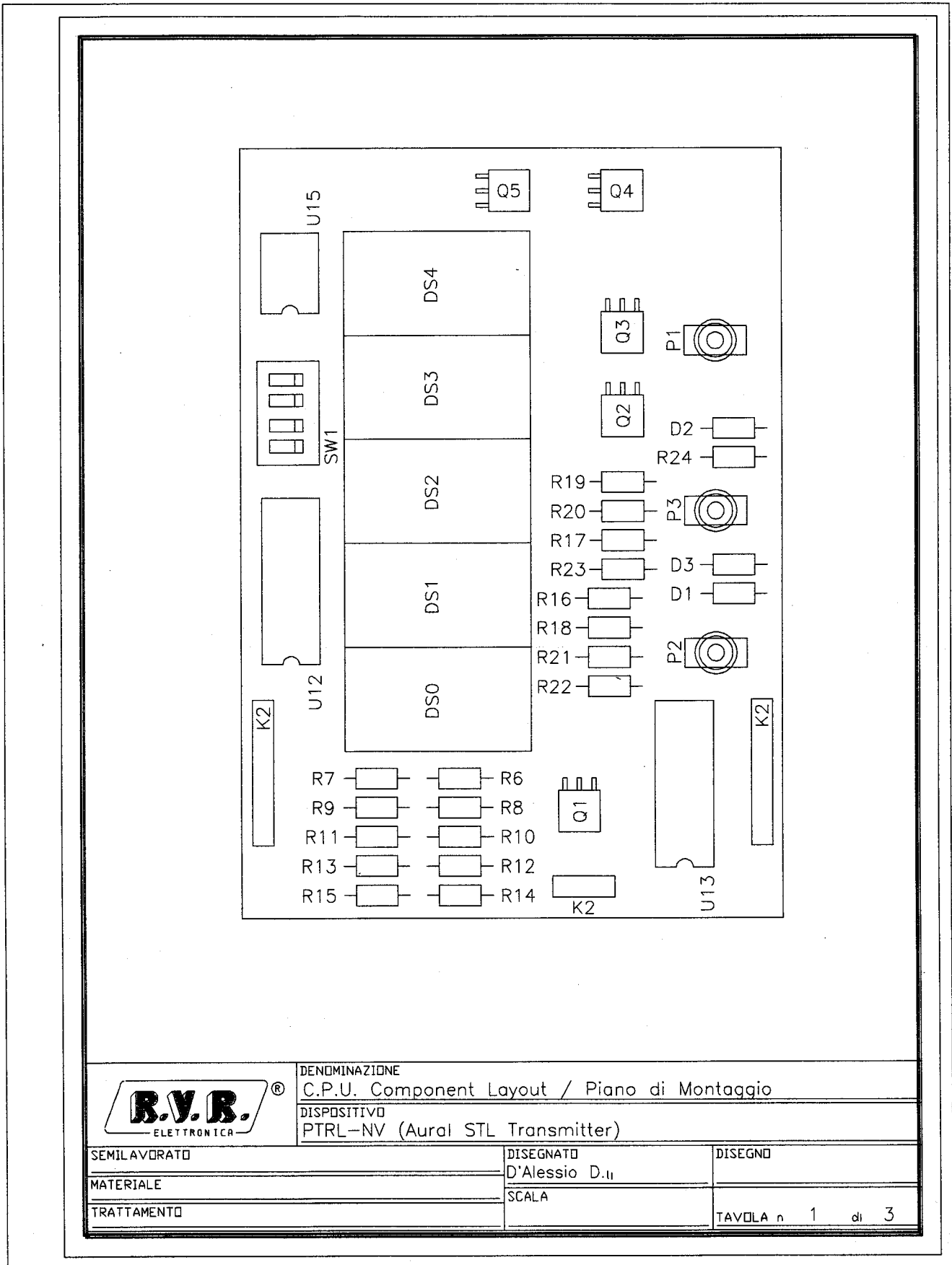
K1 24 PIN STRIP
 K1A 24 PIN F STRIP
 K2A 23 PIN F STRIP




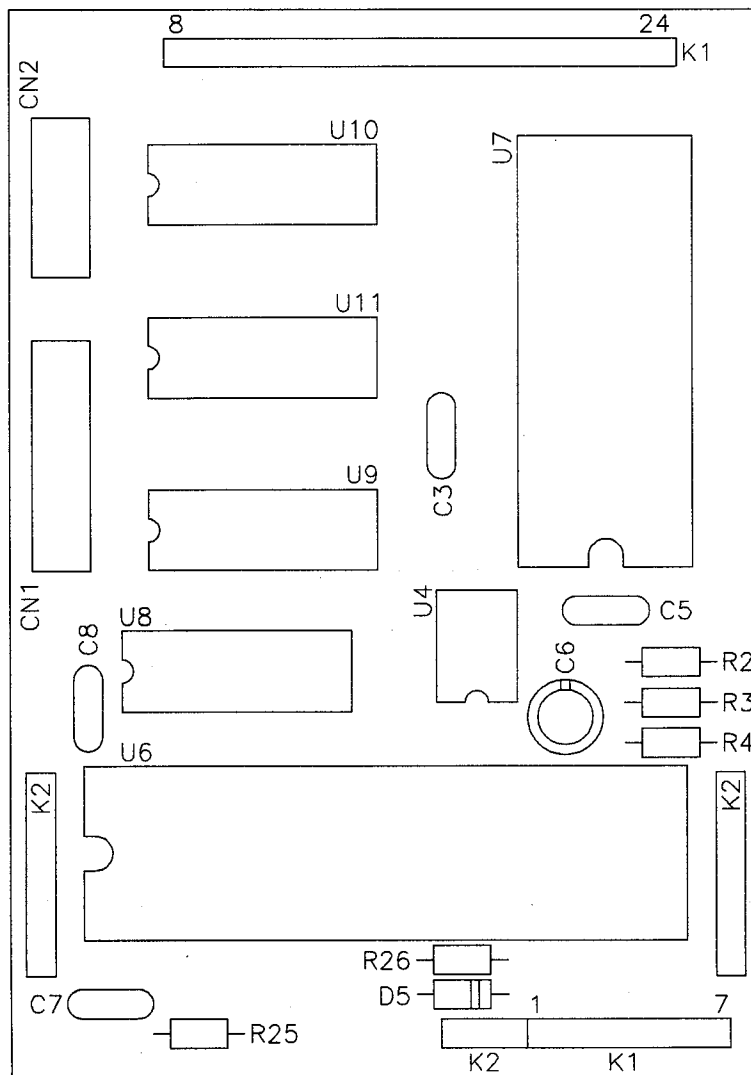
Title		R.V.R. Elettronica S.r.l. (Bo)	
Size		"C.P.U." Circuit Diagram	
REV	Document Number	Date	Sheet 2 of 2
A3			


"C.P.U."		Bill of Materials/Lista Componenti			Pag. 1
Item	Quantity	Reference	Part	Description	Part Order Code
1	2	R1,R2	680	RESISTOR 1/4W 5%	RSC1/4JH0680
2	1	R3	10K	RESISTOR 1/4W 5%	RSC1/4JK0010
3	2	R4,R5	33K	RESISTOR 1/4W 5%	RSC1/4JK0033
4	1	C1	47pF	CERAMIC CAPACITOR NPO	CKM470BJ600C
5	5	C3,C4,C7, C8,C9	47NF	CERAMIC CAPACITOR	CKM473BK600P
6	1	C5	0.1µF	CERAMIC CAPACITOR	CKM104BK600P
7	1	C6	1µF	ELECTROLYTIC CAPACITOR	CEA105AM630
8	1	C2	10µF	ELECTROLYTIC CAPACITOR	CEA106AM350
9	1	K1	24P STRIP	STRIP M P 2.54 24 PIN	CNTSTRIPMCS
10	1	K2A	23P F STRIP	STRIP F P 2.54 23 PIN	CNTSTRIPFCS
11	1	K1A	24P F STRIP	STRIP F P 2.54 24 PIN	CNTSTRIPFCS
12	1	CN2	10P CONN.	CONN. M 2*5 P 2.54	CNTMCSFC10P
13	1	CN1	16P CONN.	CONN. M 2*8 P 2.54	CNTMCSFC16P
14	1	XTAL1	Q2.4576MHZ	CRYSTAL	QRZ2,45HC18
15	1	U10	1488	TTL LEV SHIFT TTL RS232	CID1488
16	1	U11	1489	TTL LEV SHIFT TTL RS232	CID1489
17	2	U4,U12	4040	CMOS DIVIDER	CID4040
18	1	U8	74LS04	TTL HEX INVERTER	CID74LS04
19	1	U5	74LS14	TTL HEX INVERT. TRIGGER	CID74LS14
20	1	U9	74LS32	TTL QUAD OR	CID74LS32
21	1	U1	Z80-CPU	CPU	CIDZ80CPU
22	1	U6	Z80-PIO	PARALLEL I/O PORT	CIDZ80PIO
23	1	U7	8251	SERIAL I/O PORT	CID8251
24	1	U3	6264	RAM MEMORY 8KBYTE	CID6264
25	1	U2	2764	EPROM MEMORY 8KBYTE	CID2764
26	1	U14	H606016-8PI	STANDALONE WATCHDOG	CIDH606016
27	1	ZC1	ZOC8	ZOCCOLO INTEGRATO 8P	ZIN08
28	5	ZC2,ZC3, ZC4,ZC5,ZC6	ZOC14	ZOCCOLO INTEGRATO 14P	ZIN14

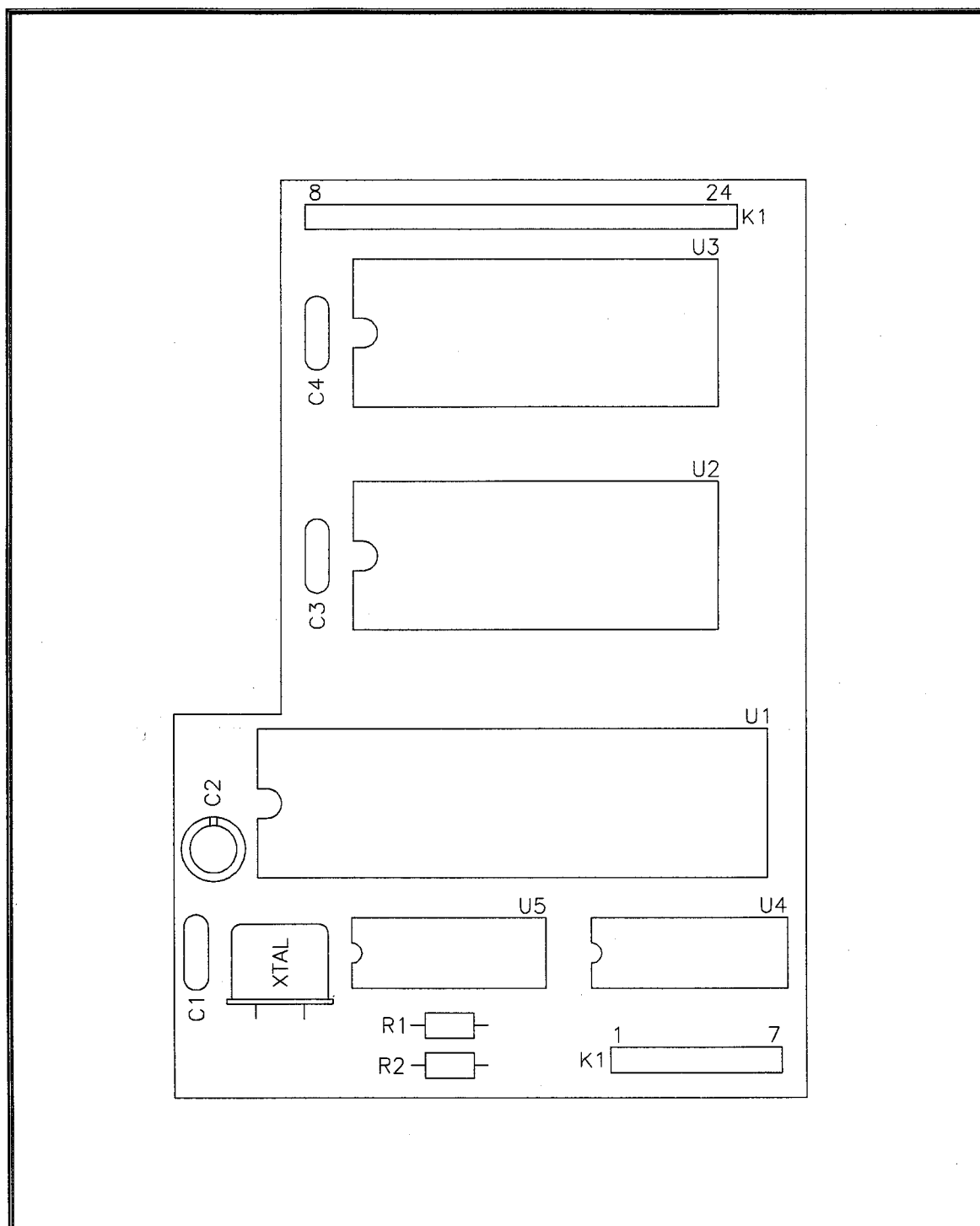
"C.P.U."		Bill of Materials/Lista Componenti			Pag. 2
Item	Quantity	Reference	Part	Description	Part Order Code
29	2	ZC7,ZC8	ZOC16	ZOCCOLO INTEGRATO 16P	ZIN16
30	3	ZC9,ZC10, ZC11	ZOC28	ZOCCOLO INTEGRATO 28P	ZIN28
31	2	ZC12,ZC13	ZOC40	ZOCCOLO INTEGRATO 40P	ZIN40
32	1	CS2	CPU2	CS I/O CPU 2-1 (2-2)	PCBCPU2
33	1	SW1	WIRE JUMPER	PONTICELLO A FILO	WIREJUMPER
34	2	JP1,R25	N.C.	NOT CONNECTED	
35	8	R16,R17, R18,R19, R20,R21, R22,R23	100	RESISTOR 1/4W 5%	RSC1/4JH0100
36	10	R6,R7,R8, R9,R10,R11, R12,R13, R14,R15	4K7	RESISTOR 1/4W 5%	RSC1/4JK04,7
37	1	R24	10K	RESISTOR 1/4W 5%	RSC1/4JK0010
38	1	C10	47nF	CERAMIC CAPACITOR	CKM473BK600P
39	1	K2	23P STRIP	STRIP M P 2.54 23 PIN	CNTSTRIPMCS
40	3	P1,P2,P3	P1V 2P	PULSANTE 1 VIA 2 POS	PLS1V11M03CS
41	3	D1,D2,D3	1N4148	SILICON DIODE	DIS1N4148
42	5	DS1,DS2, DS3,DS4,DS0	TDSR5150	7 SEGM. DISPLAY	DSPAC14RO
43	5	Q1,Q2,Q3, Q4,Q5	BD676	PNP DARLINGTON	TRNBD676
44	1	U13	74LS374	TTL LATCH	CID74LS374
45	1	U15	M9306	EEPROM 256BIT	CIDM9306
46	1	ZC14	ZOC8	ZOCCOLO INTEGRATO 8P	ZIN08
47	1	ZC15	ZOC20	ZOCCOLO INTEGRATO 20P	ZIN20
48	2	ZC16,ZC17	ZOC24	ZOCCOLO INTEGRATO 24P	ZIN24
49	2	ZC18,ZC19	ZOC28	ZOCCOLO INTEGRATO 28P	ZIN28
50	1	CS3	CPU3	CS DISPL PULS CPU 3-1	PCBCPU3




	DENOMINAZIONE	
	C.P.U. Component Layout / Piano di Montaggio	
	DISPOSITIVO	
	PTRL-NV (Aural STL Transmitter)	
SEMILAVORATO	DISEGNATO	DISEGNO
MATERIALE	D'Alessio D.11	
TRATTAMENTO	SCALA	
		TAVOLA n 1 di 3



	DENOMINAZIONE	
	C.P.U. Component Layout / Piano di Montaggio	
DISPOSITIVO		
PTRL-NV (Aural STL Transmitter)		
SEMILAVORATO	DISEGNATO	DISEGNO
MATERIALE	D'Alessio D.lli	
TRATTAMENTO	SCALA	TAVOLA n 2 di 3



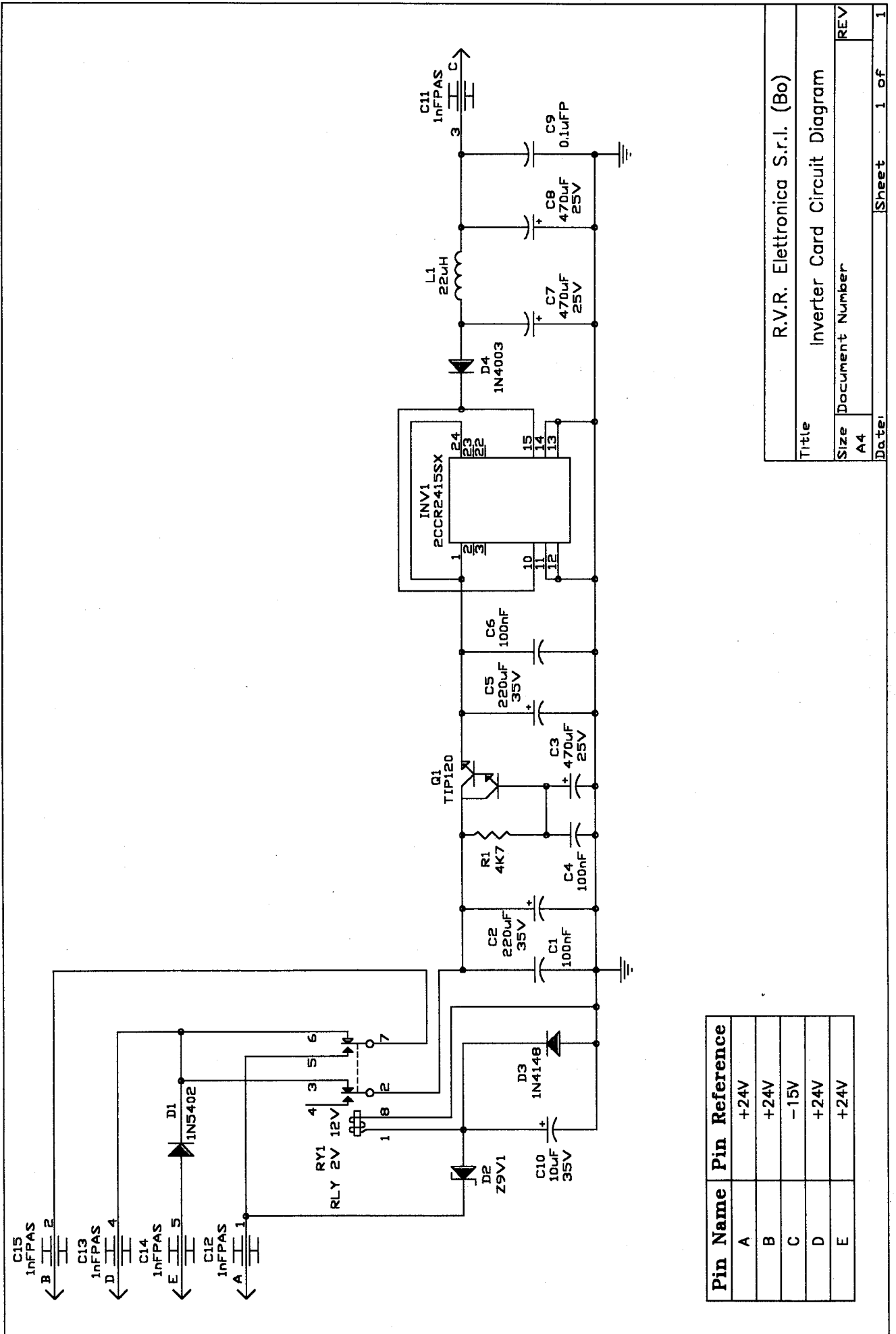
	DENOMINAZIONE	
	C.P.U. Component Layout / Piano di Montaggio	
	DISPOSITIVO	
	PTRL-NV (Aural STL Receiver)	
SEMILAVORATO	DISEGNATO	DISEGNO
MATERIALE	D'Alessio D.ii	
TRATTAMENTO	SCALA	
		TAVOLA n 3 di 3

INVERTER CARD (OPTIONAL)

<u>1</u>	<u>Circuit Diagram</u>	<u>Pag. 179</u>
<u>2</u>	<u>Bill of Materials</u>	<u>Pag. 180</u>
<u>3</u>	<u>Component Layout</u>	<u>Pag. 181</u>

INVERTER CARD (OPTIONAL)

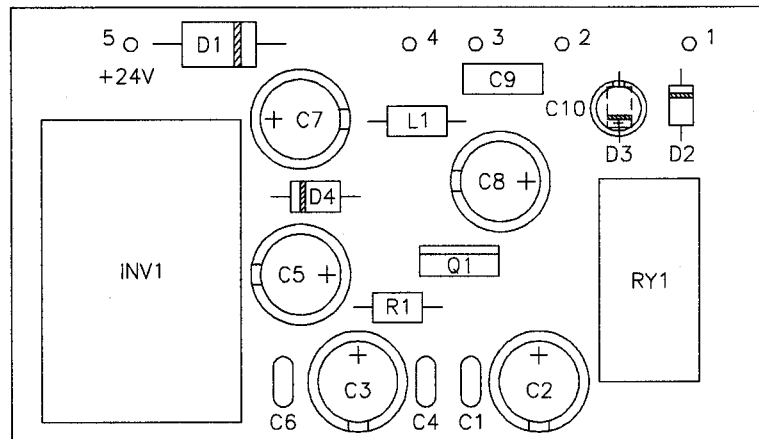
<u>1</u>	<u>Schema Elettrico</u>	<u>Pag. 179</u>
<u>2</u>	<u>Lista dei Componenti</u>	<u>Pag. 180</u>
<u>3</u>	<u>Piano di Montaggio</u>	<u>Pag. 181</u>




Pin Name	Pin Reference
A	+24V
B	+24V
C	-15V
D	+24V
E	+24V

Title		R.V.R. Elettronica S.r.l. (Bo)	
Size		Inverter Card Circuit Diagram	
Document Number			
REV		Sheet	1 of 1

Inverter Card		Bill of Materials/Lista Componenti			Pag. 1
Item	Quantity	Reference	Part	Description	Part Order Code
1	1	R1	4K7	RESISTOR 1/4W 5%	RSC1/4JK04,7
2	3	C1,C4,C6	0.1 μ F	CERAMIC CAPACITOR	CKM104BK600P
3	1	C9	0.1 μ FP	POLIESTER CAPACITOR	CPE104DK101
4	1	C10	10 μ F	ELECTROLYTIC CAPACITOR	CEA106AM350
5	2	C2,C5	220 μ F	ELECTROLYTIC CAPACITOR	CEA227BM350
6	3	C3,C7,C8	470 μ F	ELECTROLYTIC CAPACITOR	CEA477BM350
7	1	L1	100 μ H	RF CHOKE	IMP100UA
8	1	RY1	RLY 2V 12V	RELAY 2 VIE 12V	RLDLFHA00212
9	1	D3	1N4148	SILICON DIODE	DIS1N4148
10	1	D4	1N4003	SILICON DIODE 200V	DIS1N4003
11	1	D1	BY255	SILICON DIODE 1000V 3A	DISBY255
12	1	D2	Z9V1	ZENER DIODE 9.1V 0.4W	DIZ9V10W4
13	1	INV1	2CCR2415SX	DC/DC CONV. 24VI -15VO	2CCR2415SX
14	1	Q1	TIP120	NPN DARLINGTON	TRNTIP120



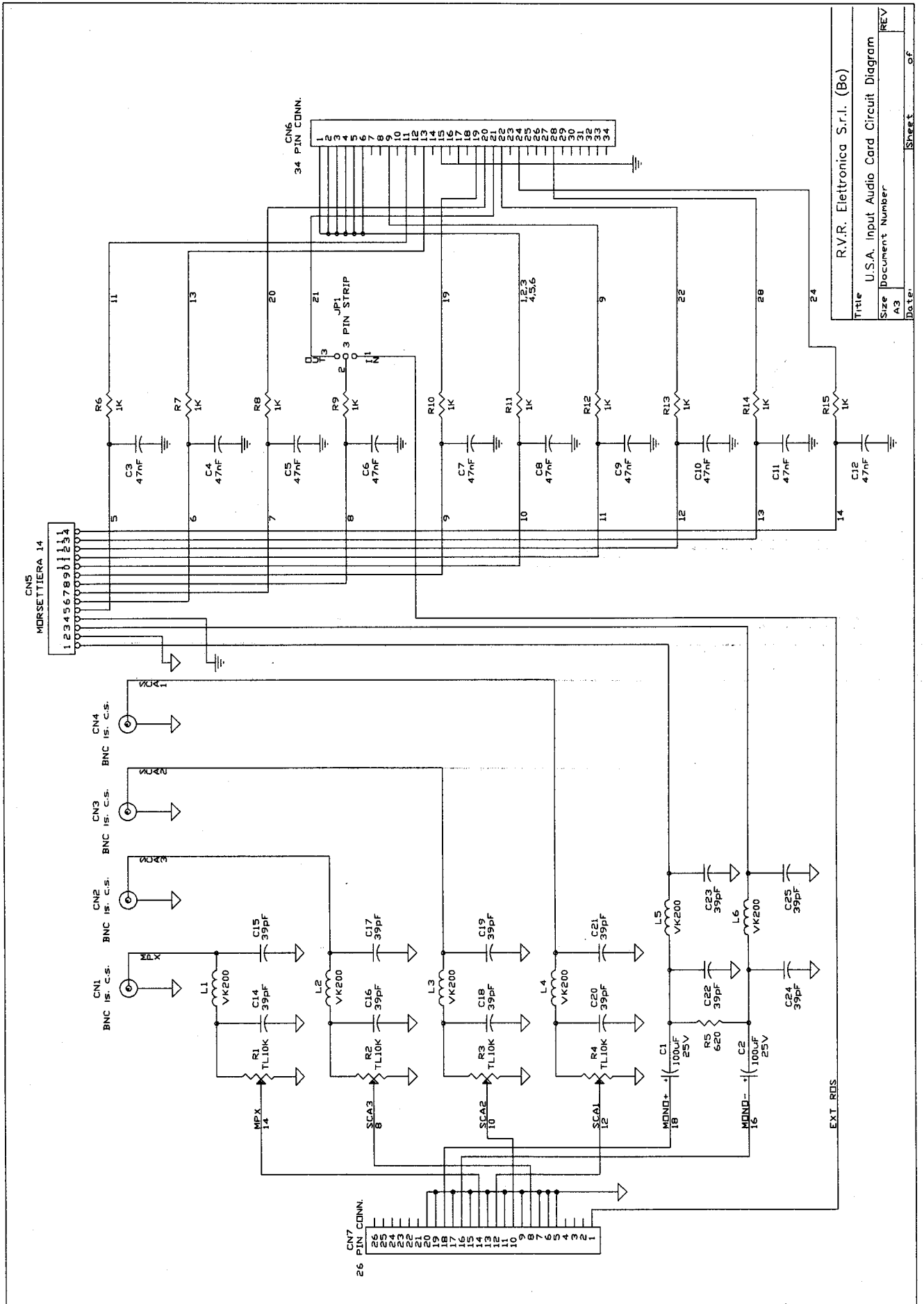
	DENOMINAZIONE Inverter 24VDC/-15VDC Component Layout / Piano di Montaggio	
	DISPOSITIVO PTRL-NV (Aural STL Transmitter)	
SEMILAVORATO	DISEGNATO	DISEGNO
MATERIALE	D'Alessio D. II	
TRATTAMENTO	SCALA	TAVOLA n 1 di 1

U.S.A. INPUT AUDIO CARD (OPTIONAL)

<u>1</u>	<u>Circuit Diagram</u>	<u>Pag. 183</u>
<u>2</u>	<u>Bill of Materials</u>	<u>Pag. 184</u>
<u>3</u>	<u>Component Layout</u>	<u>Pag. 185</u>

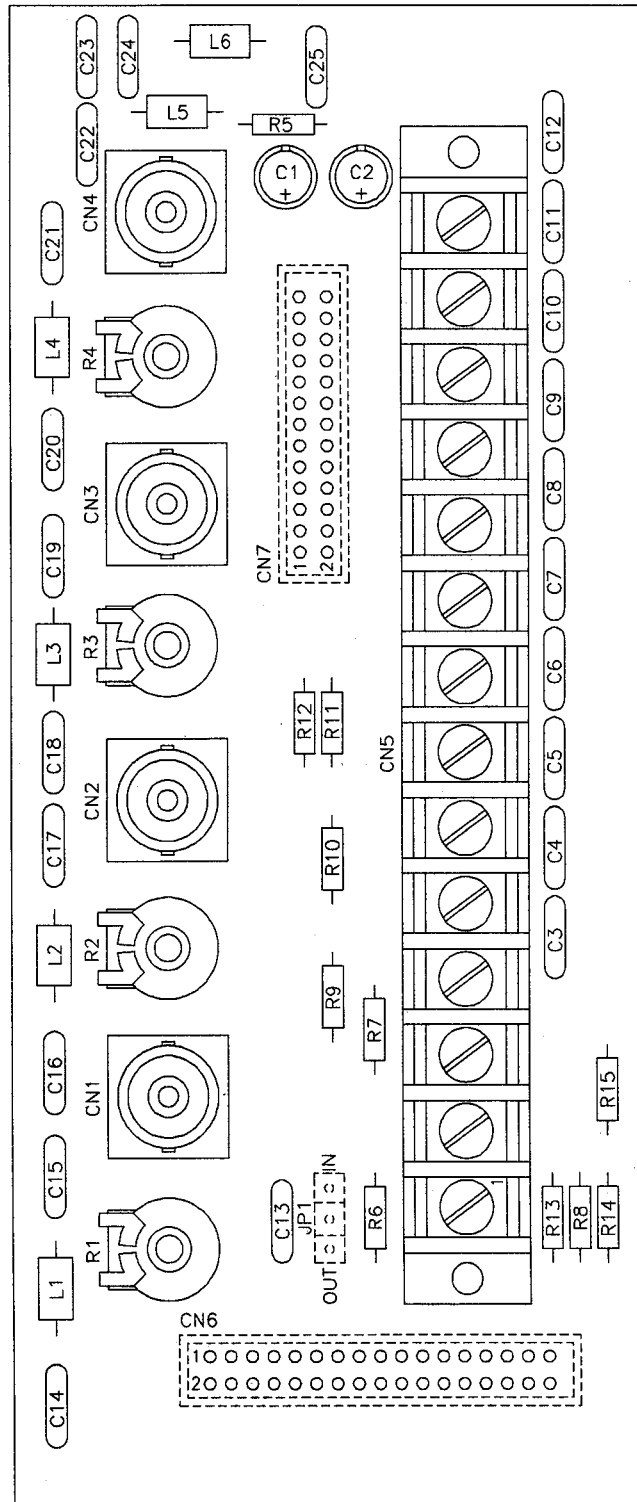
U.S.A. INPUT AUDIO CARD (OPTIONAL)


<u>1</u>	<u>Schema Elettrico</u>	<u>Pag. 183</u>
<u>2</u>	<u>Lista dei Componenti</u>	<u>Pag. 184</u>
<u>3</u>	<u>Piano di Montaggio</u>	<u>Pag. 185</u>



Title		R.V.R. Elettronica S.r.l. (Bo)	
Size		A3	
Document Number		REV	
Date	Sheet	of	

U.S.A. Input Audio Card		Bill of Materials/Lista Componenti		Pag. 1	
Item	Quantity	Reference	Part	Description	Part Order Code
1	1	R5	620	RESISTOR 1/4W 1%	RSM1/4FH0620
2	10	R6,R7,R8, R9,R10,R11, R12,R13, R14,R15	1K	RESISTOR 1/4W 5%	RSC1/4JK0001
3	4	R1,R2,R3,R4	TL10K	TRIM. REG. VERT. 15mm	RVTD15VK0010
4	12	C14,C15, C16,C17, C18,C19, C20,C21, C22,C23, C24,C25	39pF	CERAMIC CAPACITOR NPO	CKM390BJ600C
5	10	C3,C4,C5, C6,C7,C8, C9,C10,C11, C12	47nF	CERAMIC CAPACITOR	CKM473BK600P
6	2	C1,C2	100µF	ELECTROLYTIC CAPACITOR	CEA107BM350
7	6	L1,L2,L3, L4,L5,L6	VK200	RF CHOKE	IMPVK200
8	1	JP1	3 PIN STRIP	STRIP M P 2.54 3 PIN	CNTSTRIPMCS
9	1	CN5	MORS. 14	MORS. TELAIO 14 CONT.	MORSP14P
10	1	CN7	26P CONN.	CONN. M 2*13 P 2.54	CNTMCSFC26P
11	1	CN6	34P CONN.	CONN. M 2*17 P 2.54	CNTMCSFC34P
12	4	CN1,CN2, CN3,CN4	BNC IS C.S.	CONN. BNC A STAMP. IS.	CNTBNCFCISIS



		DENOMINAZIONE U.S.A. Input Audio Card Component Layout / Piano di Montaggio	
SEMILAVORATO		DISEGNATO D. Alessio D. U.	
MATERIALE		DISPOSITIVO PTRL-NV (Aural STL Transmitter)	
TRATTAMENTO		SCALA	
TAVOLA n.		di	

© Copyright 1993
Second Edition - July '94
Created By D'Alessio D. & Morotti M.

R.V.R. Elettronica S.r.l. (Bo)

Via del Fonditore 2/2c - 40138 - Bologna (Italy)

National: Phone 051/601.05.06 r.a. Fax 051/601.11.04

International : Phone +39 51-601.05.06 Fax +39 51-601.11.04

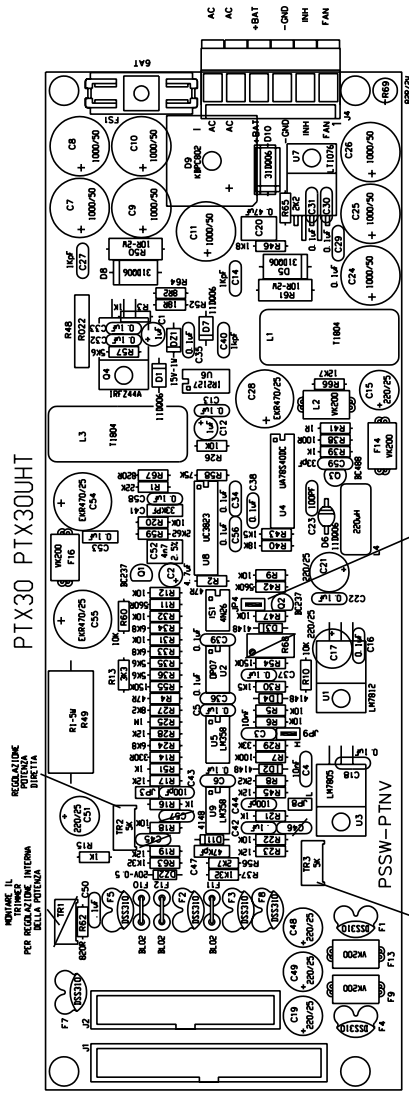
Printed and bound in Italy. All rights reserved. No part of this manual may be reproduced or utilized in any form or by any means, electronic or mechanical, including photocopying, recording, or by any information storage and retrieval system, without permission in writing from the publisher.

Tutti i diritti sono riservati. Stampato in Italia. Nessuna parte di questo libro può essere riprodotta, memorizzata in sistemi di archivio, o trasmessa in qualsiasi forma o mezzo, elettronico, meccanico, fotocopia, registrazione o altri senza la preventiva autorizzazione scritta dell'editore.

APPENDIX

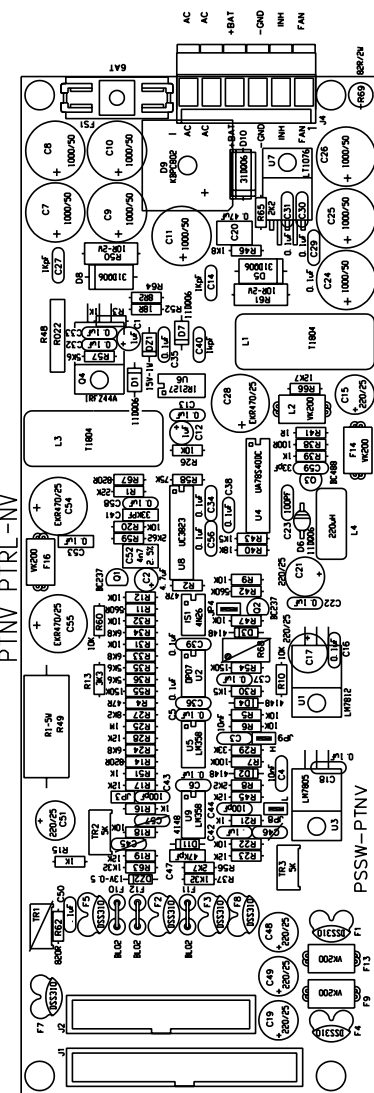
Description	RVR Code Pages	Vers.	
Power Supply	PSSW-PTNV	0.1	6
C.P.U. section	CPU-NV	0.1	10
2&5 W power amplifier board	FIN5W2GHZ	0.1	8

Pagina lasciata intenzionalmente in bianco

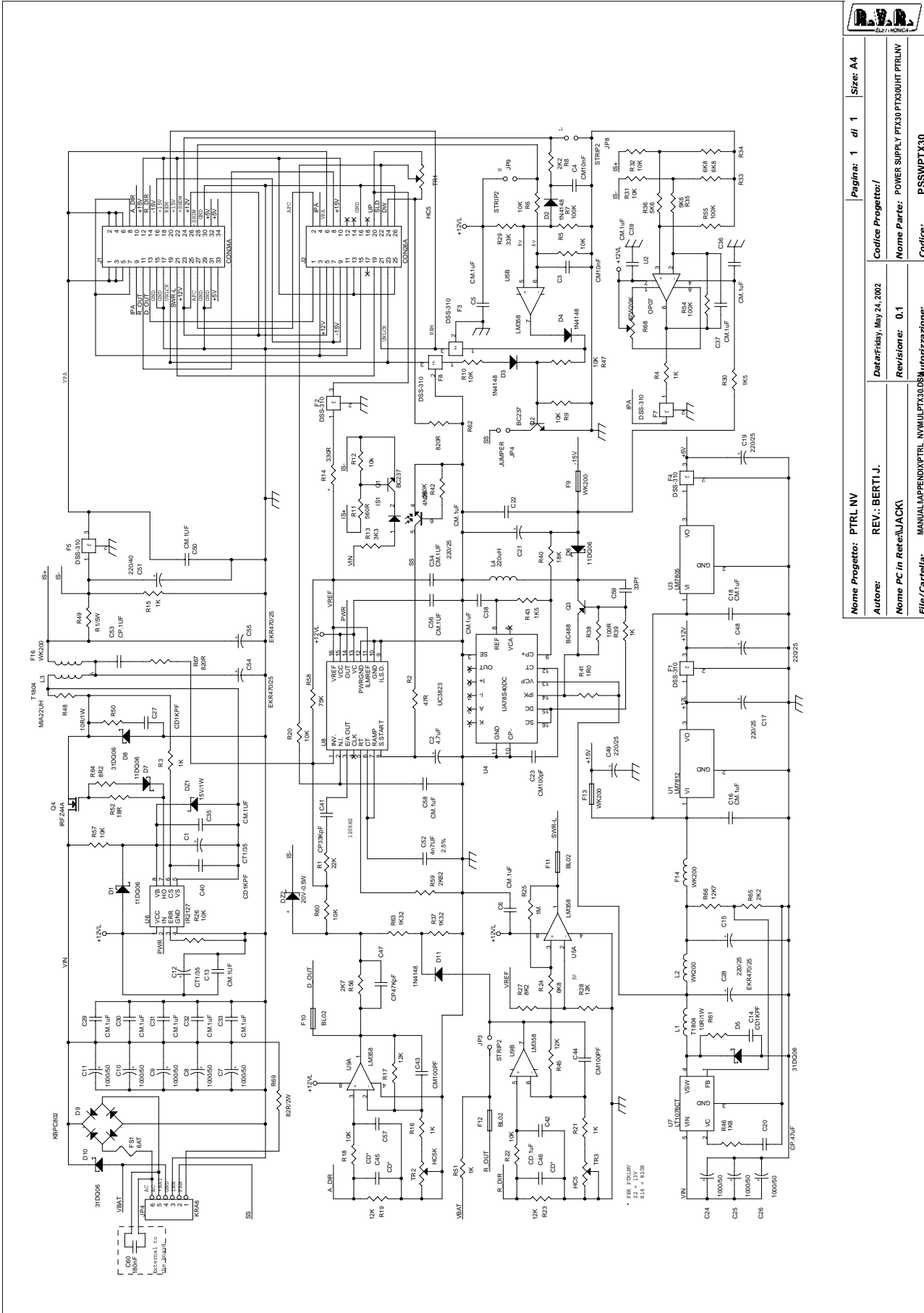


REGOLAZIONE BIPOLARE PER TRIMMER INTERNA DELLA DIVERSA

100% IRR IL PUNTCELLO PER IL PANNELLO



R.V.R. ELETTRONICA	
Nome Progetto: PTRLNV	Page: 1 di 1 Size: A3
Autore: REV.: BERTI J.	Data: 10/12/01
Nome PC in Rete: \JAACK\	Revisione: 1.0
File/Contenuti: MANUALE\APPENDIX\PTRL_NV\A1\MUL.DWG	Autore: PSSMPTX30
Scala: /	Trattamento: /
Modello: /	Profilo: /



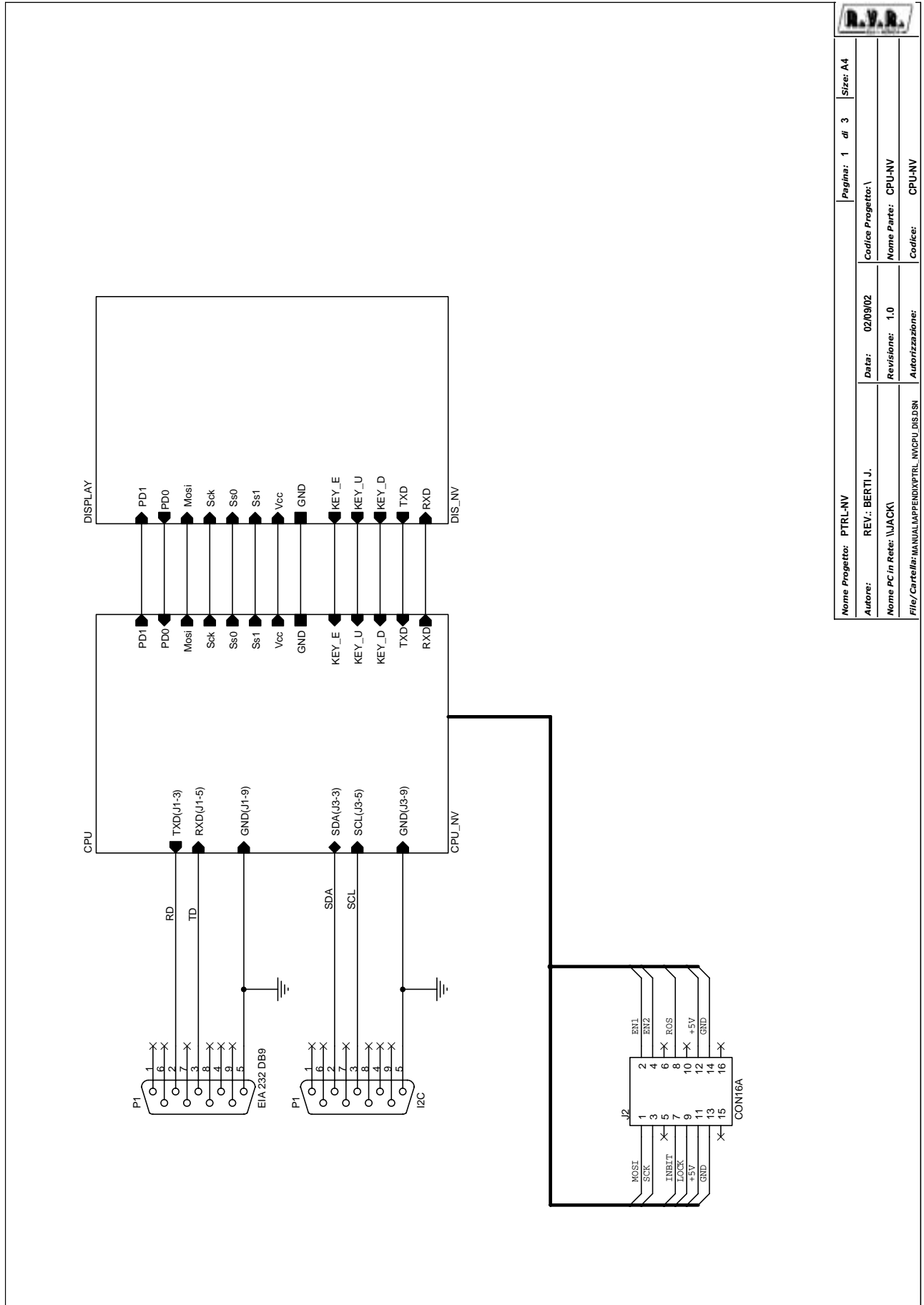
Nome Progetto: PTRL NV	Pagina: 1 di 1
Autore: REV.: BERTI, J.	Size: A4
Nome PC in Rete: \BLACKI	Codice Progetto: /
File/Cartella: MANUALEPDPENVPTRL NVVULPTX30DINAutorizzazione:	Nome Parte: POWER SUPPLY PFX30 PFX30UHT PTRLNV
	Revisione: 0.1
	Codice: PSSWPTX30

Item	Q.ty	Reference	Part
1	2	C1,C12	CT1/35
2	1	C2	4.7UF
3	2	C3,C4	CM10NF
4	20	C5,C6,C13,C16,C18,C22, C29,C30,C31,C32,C33,C34, C35,C36,C37,C38,C39,C50, C56,C58	CM.1UF
5	8	C7,C8,C9,C10,C11,C24,C25, C26	1000/50
6	3	C14,C27,C40	CD1KPF
7	6	C15,C17,C19,C21,C48,C49	220/25
8	1	C20	CP.47UF
9	3	C23,C43,C44	CM100PF
10	3	C28,C54,C55	EKR470/25
11	1	C41	CP33KPF
12	1	C42	CD.1UF
13	3	C45,C46,C57	CD*
14	1	C47	CP47KPF
15	1	C51	220/40
16	1	C52	4N7UF
17	1	C53	CP.1UF
18	1	C59	33PF
19	1	DZ1	15V/1W
20	1	DZ2	20V-0.5W
21	3	D1,D6,D7	11DQ06
22	4	D2,D3,D4,D11	1N4148
23	3	D5,D8,D10	31DQ06
24	1	D9	KBPC802
25	1	FS1	6AT

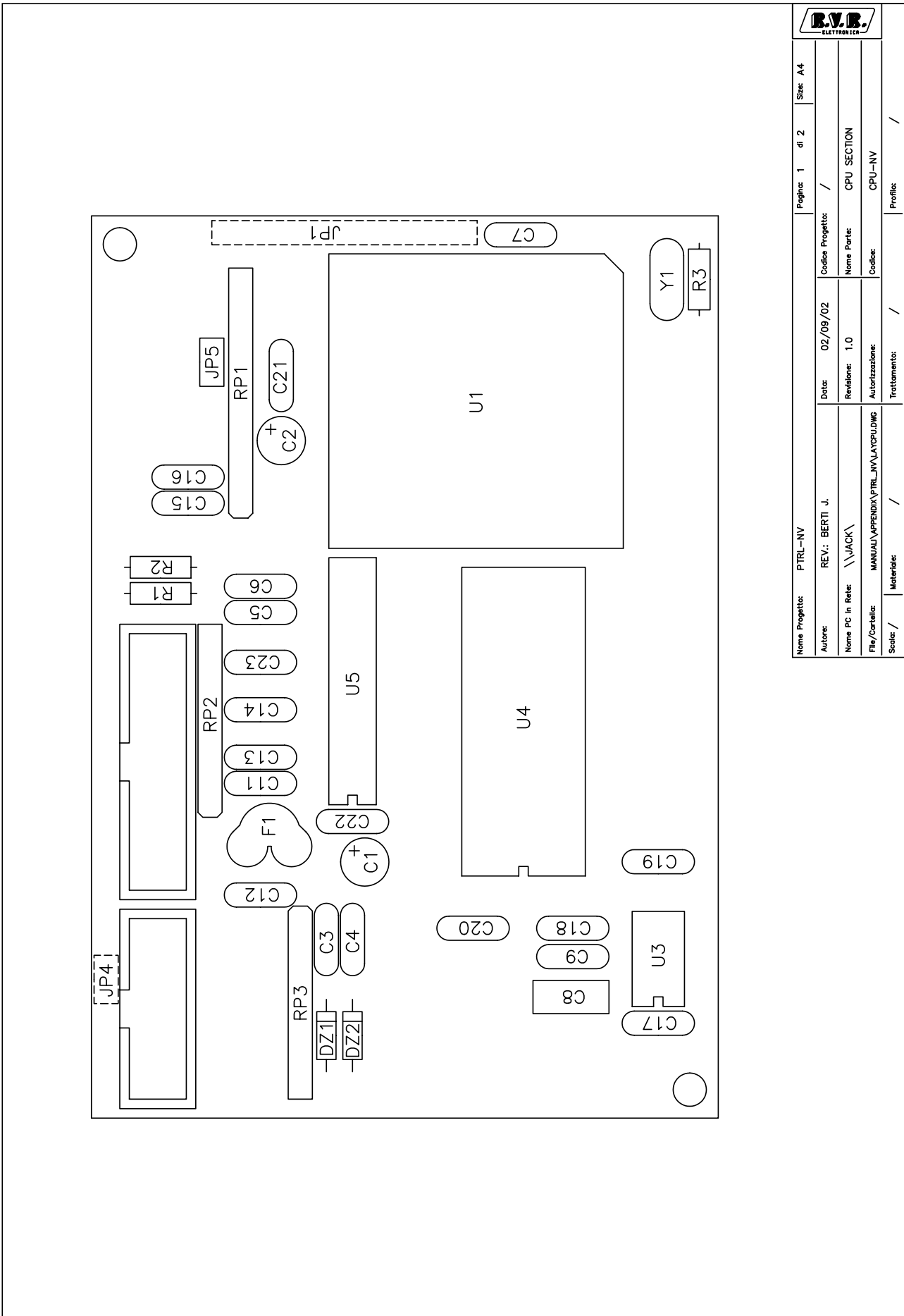
26	7	F1 ,F2 ,F3 ,F4 ,F5 ,F7 ,F8	DSS-310
27	5	L2 ,F9 ,F13 ,F14 ,F16	WK200
28	3	F10 ,F11 ,F12	BL02
29	1	IS1	4N26
30	3	JP3 ,JP8 ,JP9	STRIP2
31	1	JP4	KRA6
32	1	JP4	JUMPER
33	1	J1	CON34A
34	1	J2	CON26A
35	2	L1 ,L3	T1804
36	1	L4	220UH
37	2	Q1 ,Q2	BC237
38	1	Q3	BC488
39	1	Q4	IRFZ44A
40	1	R1	22K
41	1	R2	47R
42	7	R3 ,R4 ,R15 ,R16 ,R21 ,R39 , R51	1K
43	14	R5 ,R6 ,R9 ,R10 ,R12 ,R18 ,R20 , R22 ,R26 ,R31 ,R32 ,R47 ,R57 , R60	10K
44	3	R7 ,R54 ,R55	100K
45	2	R8 ,R65	2K2
46	1	R11	560R
47	1	R13	3K3
48	1	R14	330R
49	5	R17 ,R19 ,R23 ,R28 ,R45	12K
50	3	R24 ,R33 ,R34	6K8
51	1	R25	1M
52	1	R27	8K2
53	1	R29	33K

54	2	R30 ,R43	1K5
55	2	R35 ,R36	5K6
56	2	R37 ,R63	1K32
57	1	R38	100R
58	1	R40	18K
59	1	R41	1R0
60	1	R42	560K
61	1	R46	1K8
62	1	R48	MIA22UH
63	1	R49	R1 /5W
64	2	R50 ,R61	10R /1W
65	1	R52	18R
66	1	R56	2K7
67	1	R58	75K
68	1	R59	2K62
69	2	R62 ,R67	820R
70	1	R64	8R2
71	1	R66	12K7
72	1	R68	87W20K
73	1	R69	82R / 2W
74	2	TR1 , TR3	HC5
75	1	TR2	HC5K
76	1	U1	LM7812
77	1	U2	OP07
78	1	U3	LM7805
79	1	U4	UA78S40DC
80	2	U5 ,U9	LM358
81	1	U6	IR2127
82	1	U7	LT1076CT
83	1	U8	UC3823
84	1	C60	180nF

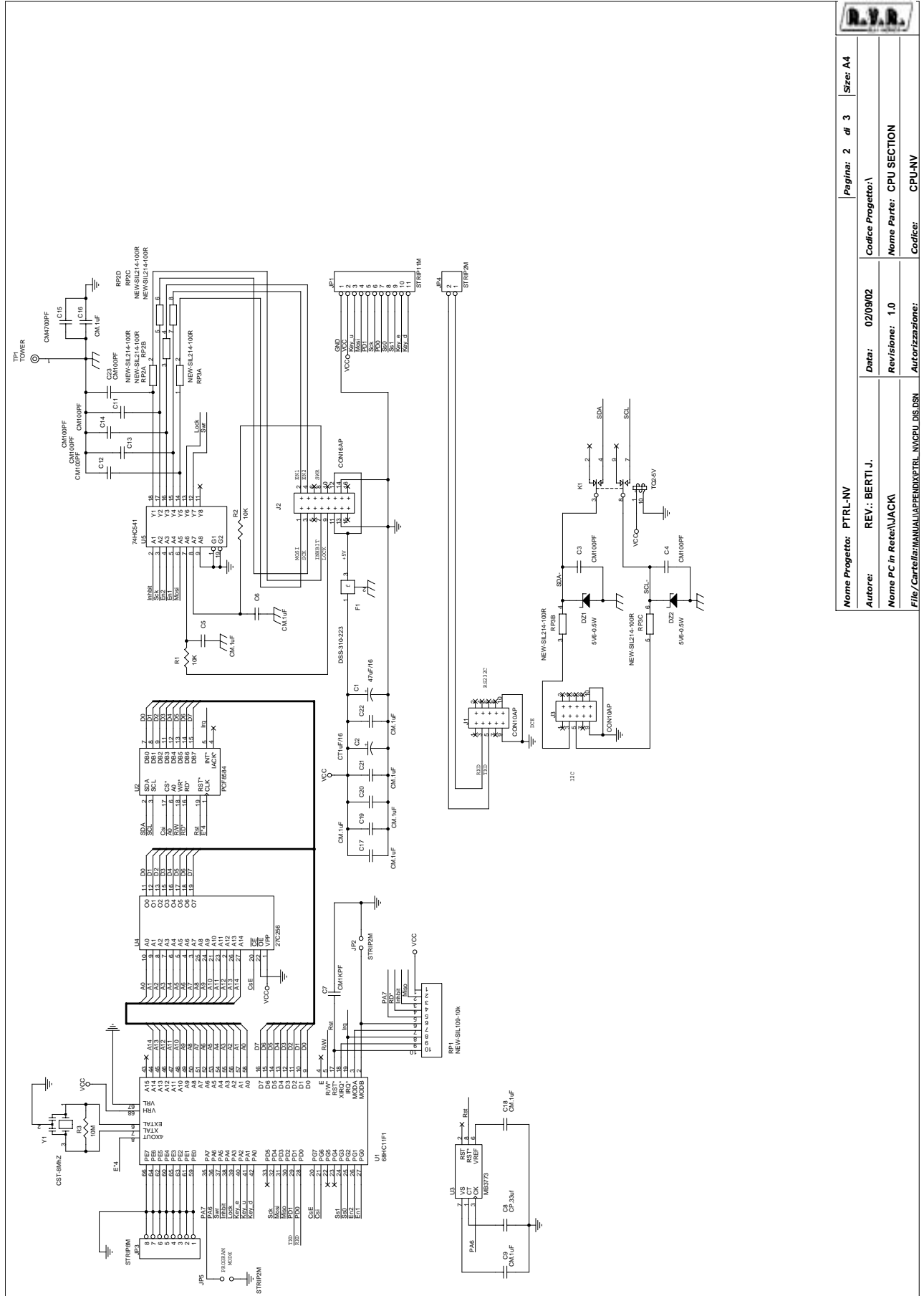
Pagina lasciata intenzionalmente in bianco
This page was intentionally left blank



		Pagina: 1 di 3	Size: A4
Nome Progetto: PTRL-NV	Data: 02/09/02	Codice Progetto: \	
Autore: REV. BERTI J.	Revisione: 1.0	Nome Parte: CPU-NV	
Nome PC in Rete: \JACK\	Autorizzazione:	Codice: CPU-NV	
File/ Cartella: \MANUAL\APPEND\PTRL_NV\CPU.DIS.DSN			

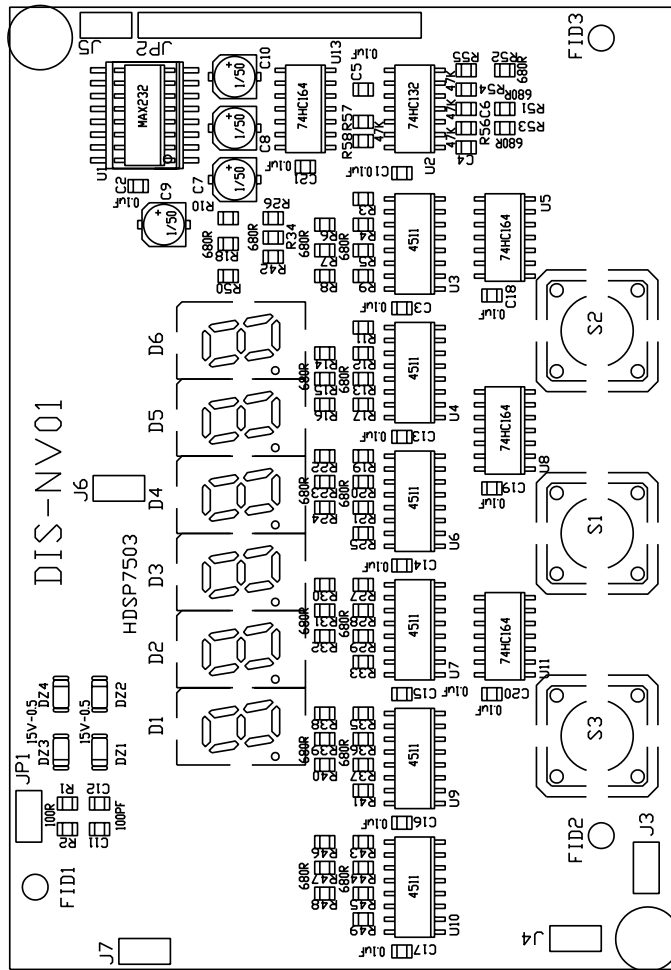


Nome Progetto: PTRL-NV		Pagina: 1	di 2	Size: A4
Autore: REVI: BERTI J.	Data: 02/09/02	Codice Progetto: /		
Nome PC in Rete: \\JACK\	Revisione: 1.0	Nome Parte: CPU SECTION		
File/Caricella: MANUALE\APPENDIX\PTRL_NV\LAY\PCB.DWG	Autorizzazione:	Codice: CPU-NV		
Scala: /	Materiale: /	Trattamento: /		Profilo: /

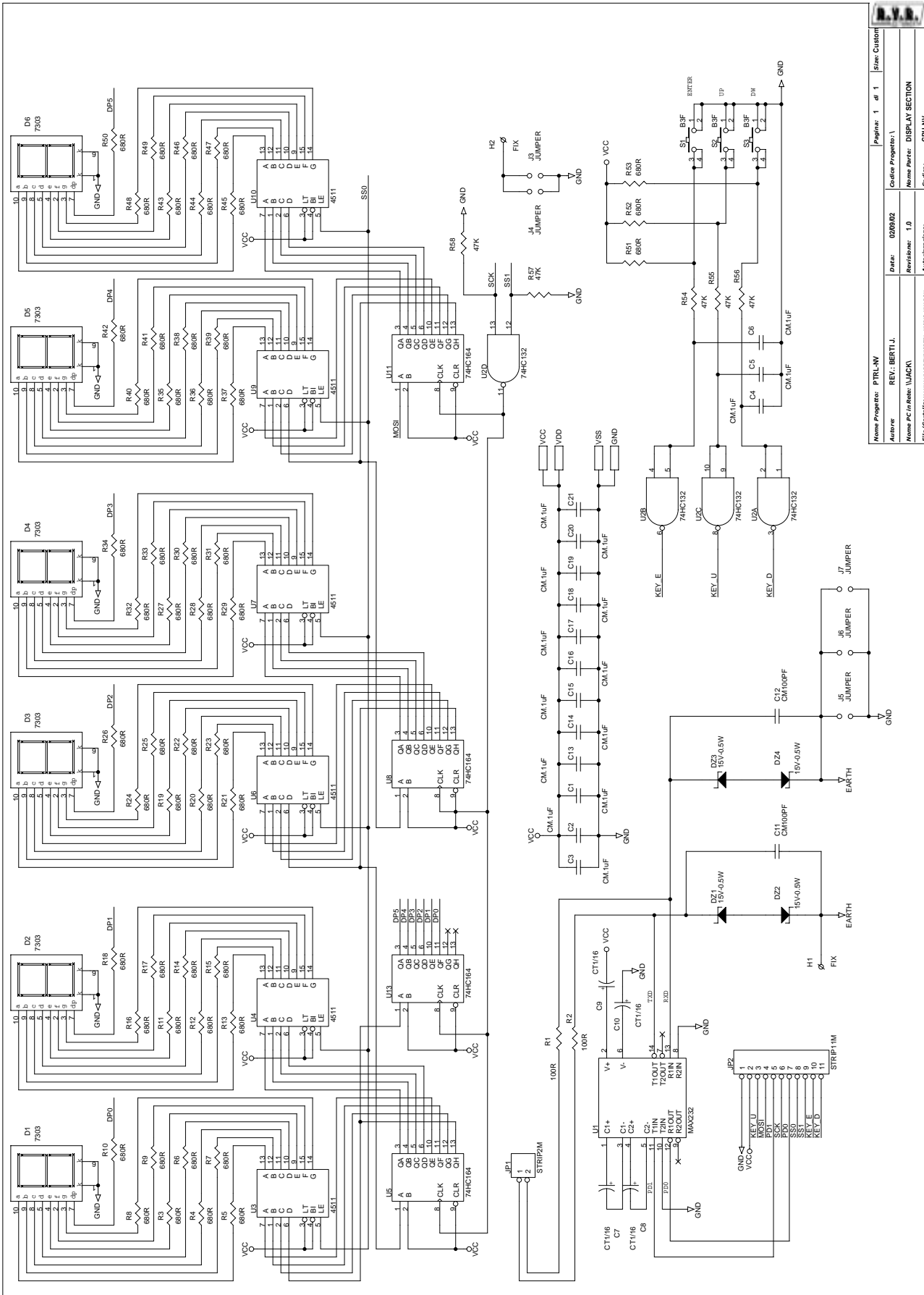


R.V.R.	
Nome Progetto: PTRL-NV	Pagina: 2 di 3
Autore: REV.: BERTI.J.	Size: A4
Nome PC in Rete: \\\LACK	Data: 02/09/02
File/Cartella/MANUALI/APPENDI/PTRL_NV_CPU_USD.N	Revisione: 1.0
Autore: BERTI.J.	Codice Progetto: \
Nome PC in Rete: \\\LACK	Nome Parte: CPU SECTION
File/Cartella/MANUALI/APPENDI/PTRL_NV_CPU_USD.N	Codice: CPU-NV

Item	Quantity	Reference	Part
1	1	C1	47UF/16
2	1	C2	CT1UF/16
3	7	C3,C4,C11,C12,C13,C14,C23	CM100PF
4	10	C5,C6,C9,C16,C17,C18,C19,C20,C21,C22	CM.1UF
5	1	C7	CM1KPF
6	1	C8	CP.33UF
7	1	C15	CM4700PF
8	2	DZ1,DZ2	5V6-0.5W
9	1	F1	DSS-310-223
10	1	JP1	STRIP11M
11	3	JP2,JP4,JP5	STRIP2M
12	1	JP3	STRIP8M
13	2	J1,J3	CON10AP
14	1	J2	CON16AP
15	1	K1	TQ2-5V
16	1	RP1	NEW-SIL109-10K
17	2	RP2,RP3	NEW-SIL214-100R
18	2	R1,R2	10K
19	1	R3	10M
20	1	TP1	TOWER
21	1	U1	68HC11F1
22	1	U2	PCF8584
23	1	U3	MB3773
24	1	U4	27C256
25	1	U5	74HC541
26	1	Y1	CST-8MHZ



		Nome Progetto: PTRL NV	Pagine: 1 di 1	Size: A4
Autore:	REV.: BERTI J.	Data: 12/09/02	Codice Progetto: /	
Nome PC in Rete: \\JACK\	Revisione: 1.0	Nome Parte: DISPLAY CPU VERSIONE 2	Nome Parte: DISPLAY CPU VERSIONE 2	
File/Carrello: MANUAL\APPENDIX\PTRL_NV\DIS2.MNT.DWG	Autorizzazione:	Codice:	Codice: DIS-NV01	
Scala: 1:1	Materiale: /	Trattamento: /	Profilo: /	

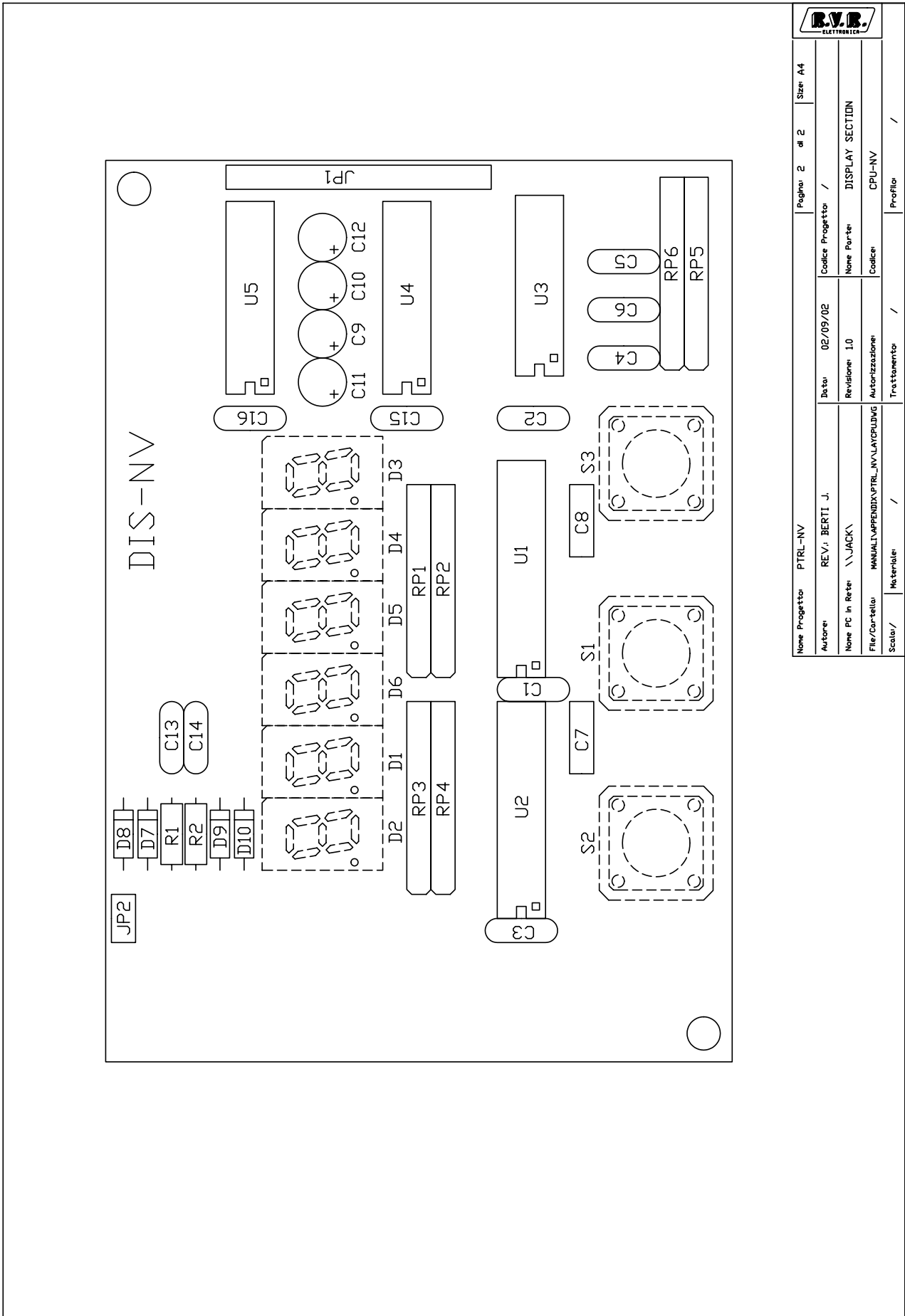


Nome Progetto: PTRL-NV	Revisione: 1	di 1	File Custom
Autore: REV: BERTI.J.	Data: 02/09/02	Nome Progetto: \	
Nome PC in Rete: ILMACAL	Revisione: 1.0	Nome Per: DISPLAY SECTION	
File/Caratteri/MANUALI/PRODOTTORE/NOVA_N0232N	Autore/Revisione:	Contatto: CPU-NV	

DISPLAY SECTION Bill Of Materials

Page1

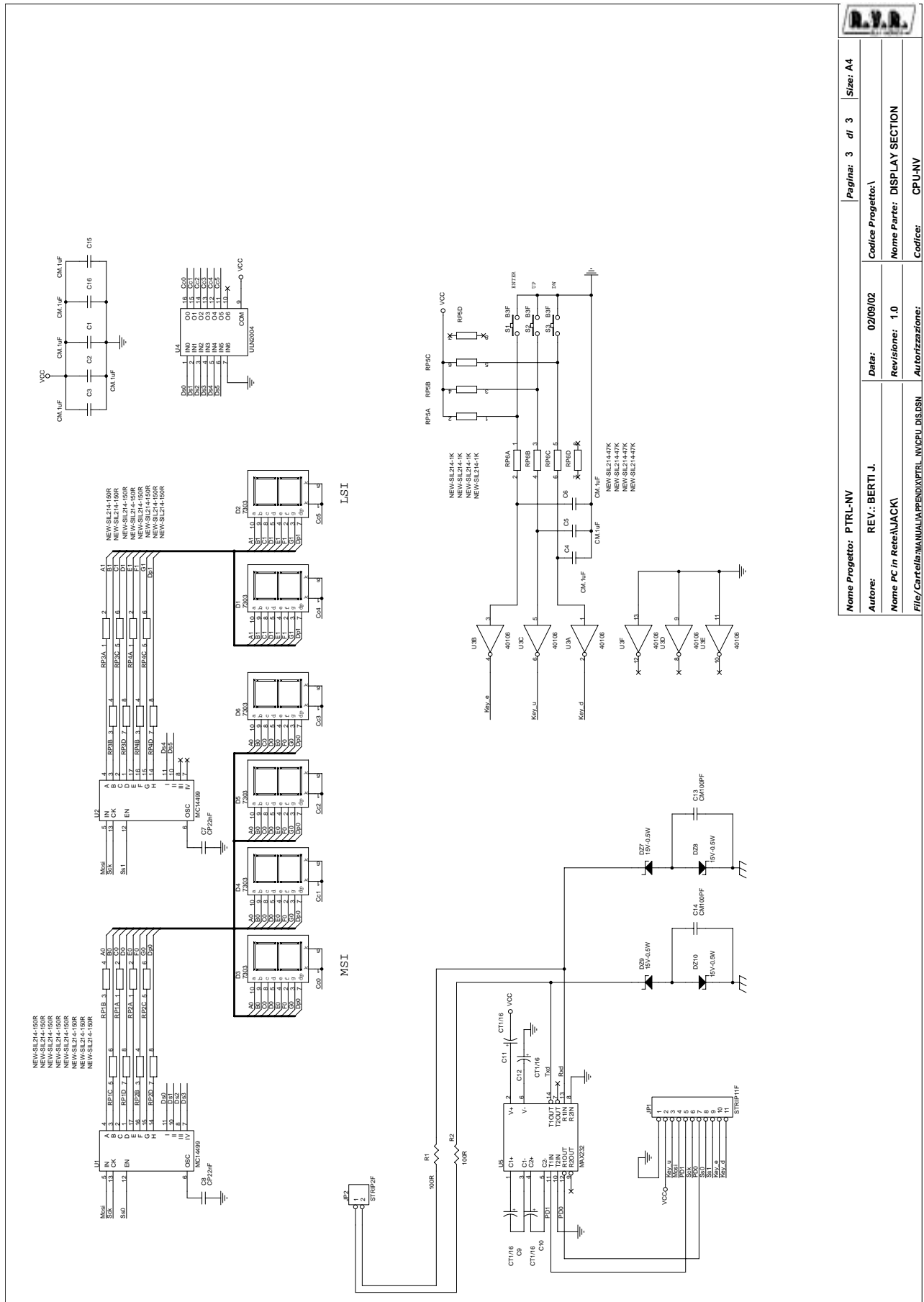
Item	Q.ty	Reference	Part
1	15	C1,C2,C3,C4,C5,C6,C13, C14,C15,C16,C17,C18,C19, C20,C21	CM.1uF
2	4	C7,C8,C9,C10	CT1/16
3	2	C11,C12	CM100PF
4	4	DZ1,DZ2,DZ3,DZ4	15V-0.5W
5	6	D1,D2,D3,D4,D5,D6	7303
6	2	H2,H1	FIX
7	1	JP1	STRIP2M
8	1	JP2	STRIP11M
9	5	J3,J4,J5,J6,J7	JUMPER
10	2	R1,R2	100R
11	51	R3,R4,R5,R6,R7,R8,R9,R10, R11,R12,R13,R14,R15,R16, R17,R18,R19,R20,R21,R22, R23,R24,R25,R26,R27,R28, R29,R30,R31,R32,R33,R34, R35,R36,R37,R38,R39,R40, R41,R42,R43,R44,R45,R46, R47,R48,R49,R50,R51,R52, R53	680R
12	5	R54,R55,R56,R57,R58	47K
13	3	S1,S2,S3	B3F
14	1	U1	MAX232
15	1	U2	74HC132
16	6	U3,U4,U6,U7,U9,U10	4511
17	4	U5,U8,U11,U13	74HC164



Nome Progetto: PTRL-NV		Pagina: 2 di 2		Size: A4
Autore: REV.: BERTI J.	Data: 02/09/02	Codice Progetto: /		
Nome PC in Rete: \JACK\	Revisione: 1.0	Nome Parte: DISPLAY SECTION		
File/Cartella: MANUALE\APPENDIX\PTRL_NV\LAY\CPUBOARD	Autonizzazione:	Codice: CPU-NV		
Scala: /	Materiale: /	Trattamento: /		Profilo: /

Versione precedente, solo per riferimento

Former version, for reference only

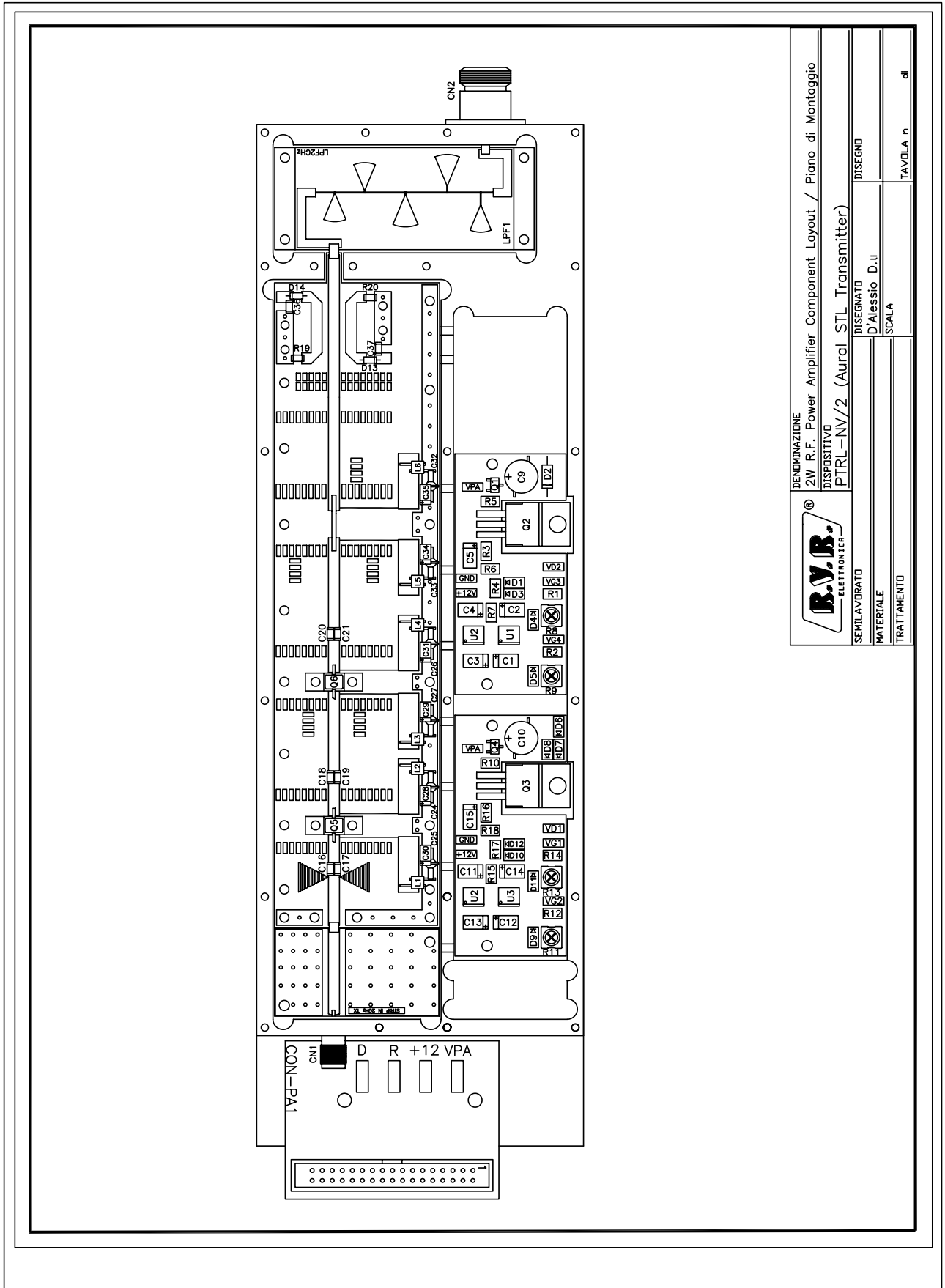


Nome Progetto: PTRL-NV	Pagina: 3 di 3 Size: A4
Autore: REV.: BERTI J.	Data: 02/09/02
Nome PC in Rete: \JACK	Revisione: 1.0
File/ Cartella: MANUALE\APPENDIX\PTRL_NV\PCU_DIS.DSN	Autore/Revisione:
	Codice Progetto: \
	Nome Parte: DISPLAY SECTION
	Codice: CPU-NV

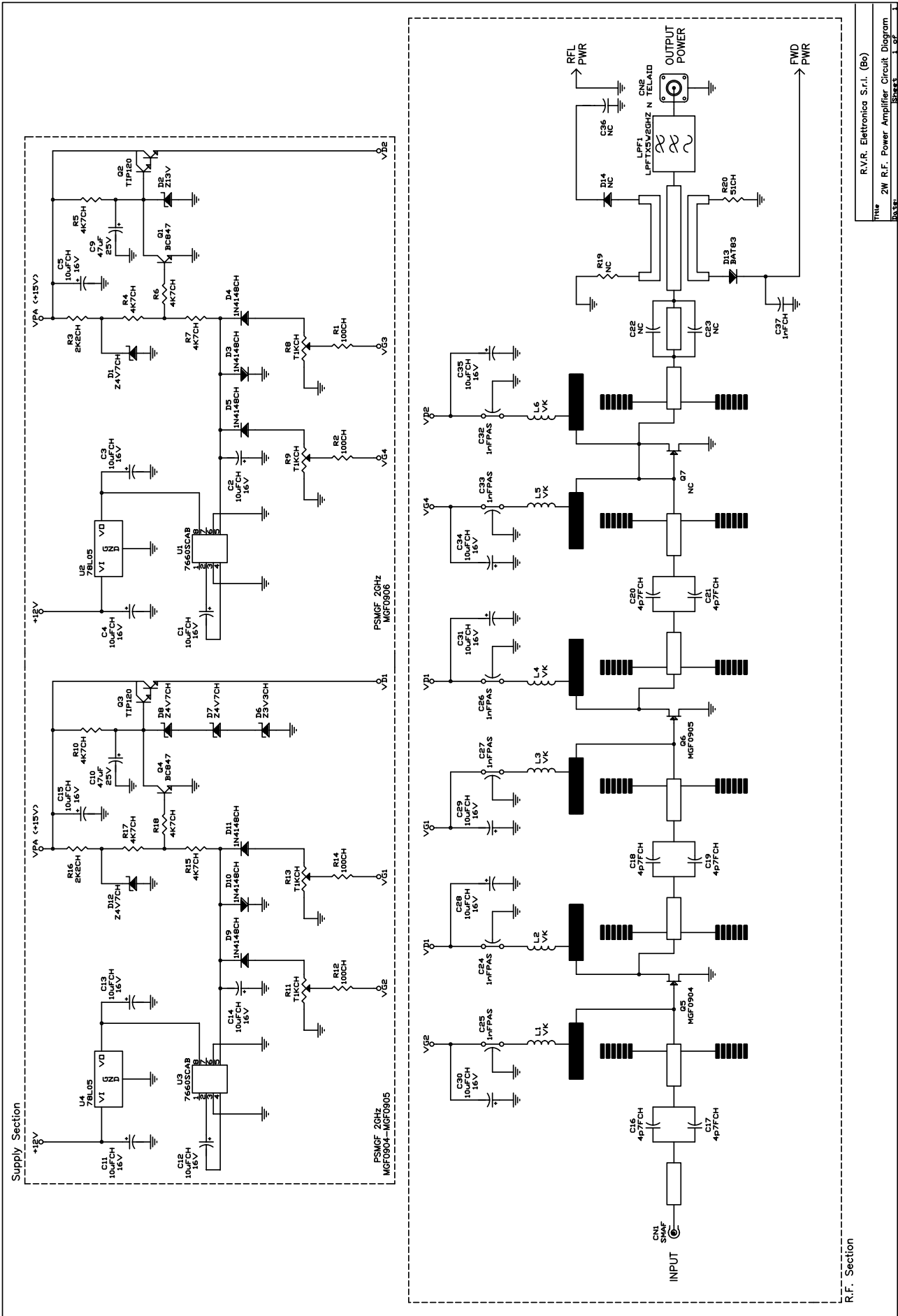
Versione precedente, solo per riferimento

Former version, for reference only

Item	Quantity	Reference	Part
1	8	C1,C2,C3,C4,C5,C6,C15, C16	CM.1UF
2	2	C7,C8	CP22NF
3	4	C9,C10,C11,C12	CT1/16
4	2	C13,C14	CM100PF
5	4	DZ7,DZ8,DZ9,DZ10	15V-0.5W
6	6	D1,D2,D3,D4,D5,D6	7303
7	1	JP1	STRIP11F
8	1	JP2	STRIP2F
9	4	RP1,RP2,RP3,RP4	NEW-SIL214-150R
10	1	RP5	NEW-SIL214-1K
11	1	RP6	NEW-SIL214-47K
12	2	R1,R2	100R
13	3	S1,S2,S3	B3F
14	2	U1,U2	MC14499
15	1	U3	40106
16	1	U4	ULN2004
17	1	U5	MAX232



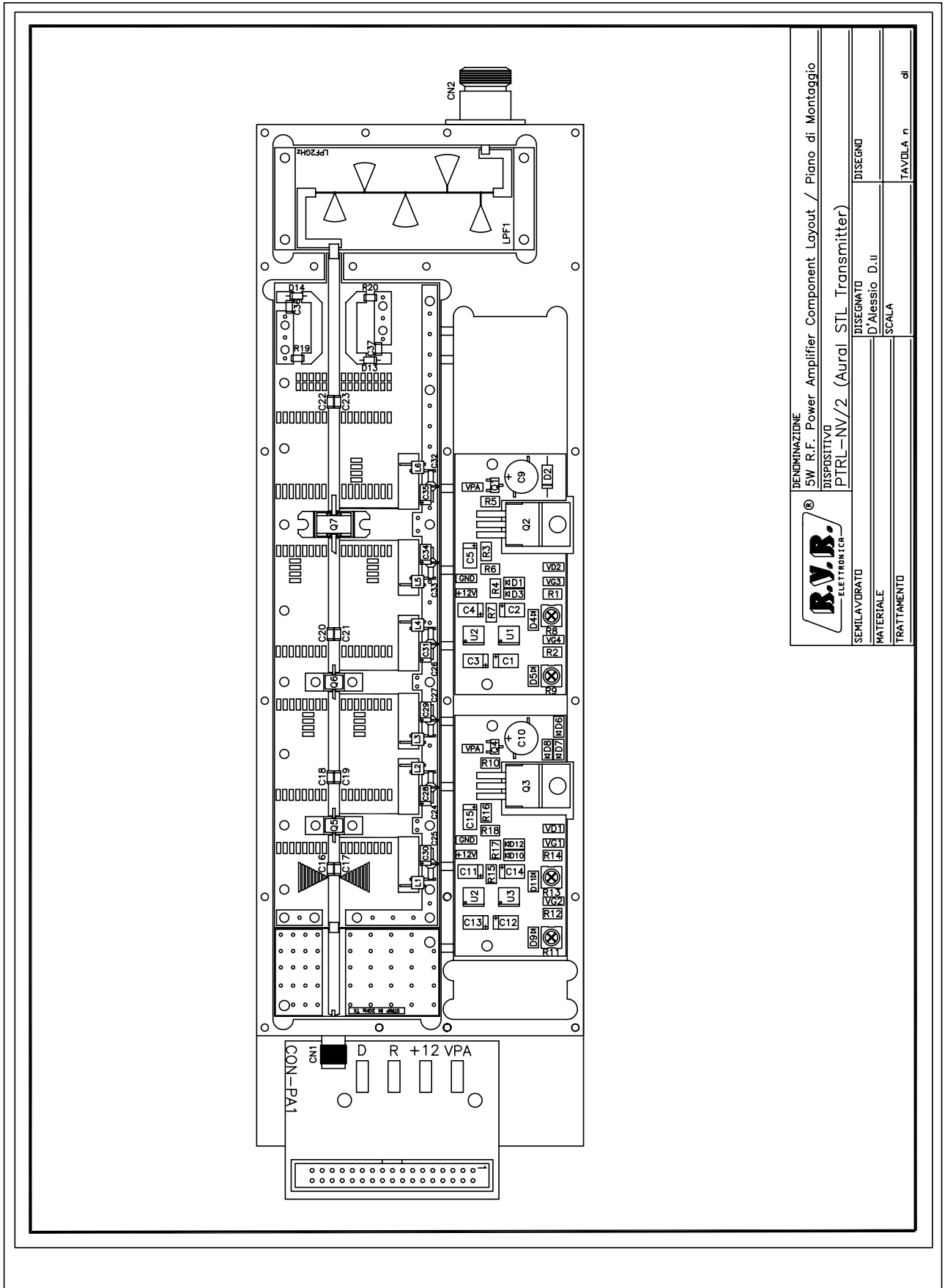
DENOMINAZIONE 2W R.F. Power Amplifier Component Layout / Piano di Montaggio	
DISPOSITIVO PTRL-NV/2 (Aural STL Transmitter)	
SEMILAVORATO	DISEGNATO
MATERIALE	D'Alessio D.II
TRATTAMENTO	SCALA
	TAVOLA n. di



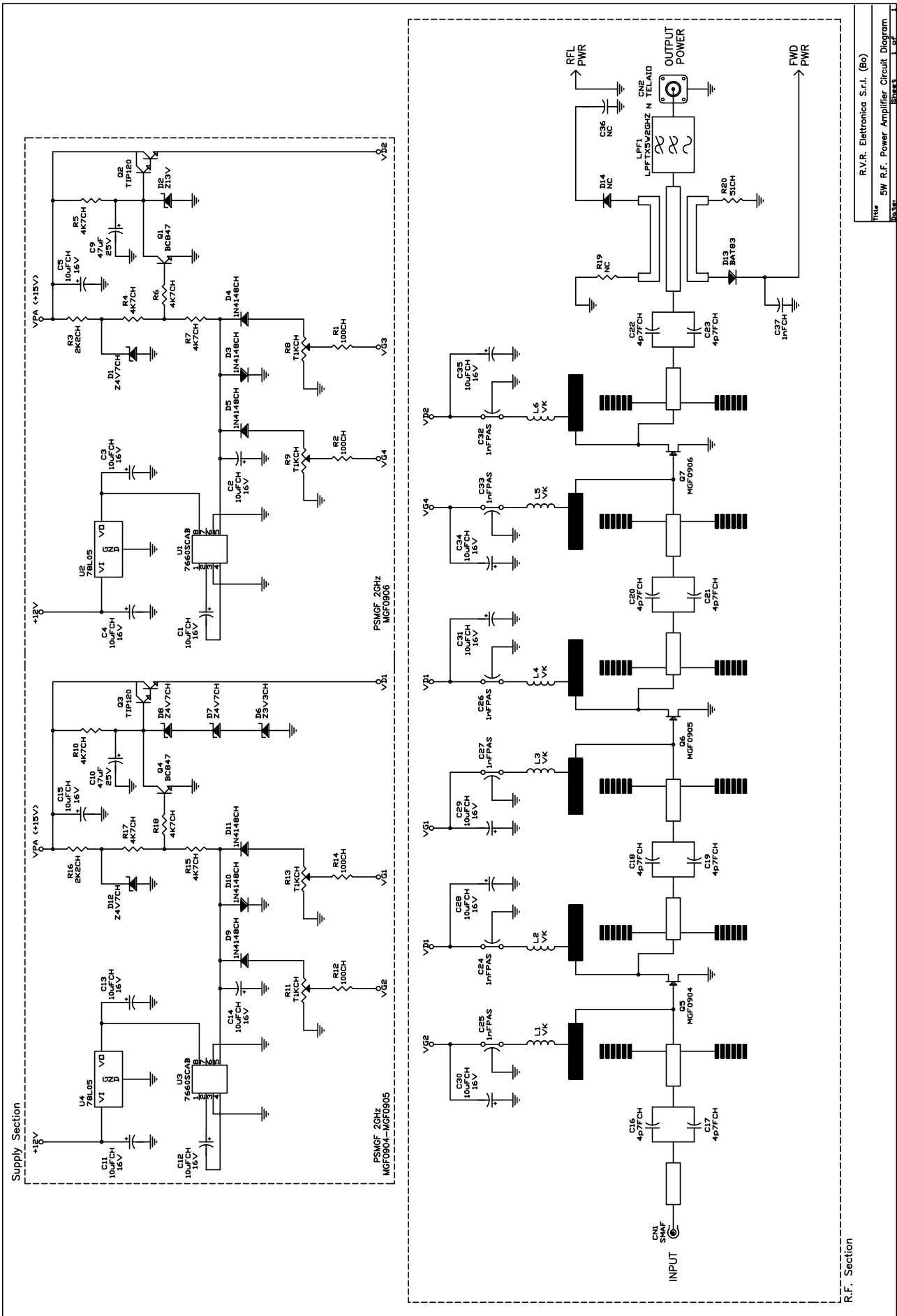
R.V.R. Elettronica S.r.l. (Bo)
 Title: 2W R.F. Power Amplifier Circuit Diagram
 Date: 03/03/2003

Item	Q.ty	Reference	Part	DESCRIPTION	PARTORDERCDE
1	1	R20	51CH	CHIP RESISTOR	
2	4	R1,R2,R12,R14	100CH	CHIP RESISTOR	
3	2	R3,R16	2K2CH	CHIP RESISTOR	
4	8	R4,R5,R6,R7,R10,R15,R17, R18	4K7CH	CHIP RESISTOR	
5	4	R8,R9,R11,R13	T1KCH	TRIMMER REG. VER. CHIP	
6	8	C16,C17,C18,C19,C20,C21	4P7FCH	CERAMIC CHIP CAPACITOR	
7	1	C37	1NFCH	CERAMIC CHIP CAPACITOR	
8	6	C24,C25,C26,C27,C32,C33	1NFPAS	CERAMIC THROUGH CAP.	
9	16	C1,C2,C3,C4,C5,C11,C12, C13,C14,C15,C28,C29,C30, C31,C34,C35	10UFCH	ELECTR. CHIP CAPACITOR	
10	2	C9,C10	47UF	ELECTROLYTIC CAPACITOR	
11	6	L1,L2,L3,L4,L5,L6	VK	RF CHOKE	
12	1	LPF1	LPFTX5W2GHZ	LPF TX 5W 2GHz	
13	1	CN1	SMAF	CONN. SMA F TELAIO	
14	1	CN2	NTELAIO	CONN. NATELAIO	
15	6	D3,D4,D5,D9,D10,D11	1N4148CH	CHIP SILICON DIODE	
16	1	D13	BAT83	HOT CARRIER DIODE	
17	1	D6	Z3V3CH	ZENER DIODE 3.3V 0.4W	
18	4	D1,D7,D8,D12	Z4V7CH	ZENER DIODE 4.7V 0.4W CHIP	
19	1	D2	Z13V	ZENER DIODE 13V 0.4W	
20	2	U1,U3	7660SCAB	+5V TO -5V V-CONVERTER	
21	2	U2,U4	78L05	POS. STABILIZER 100mA	
22	2	Q1,Q4	BC847	CHIP NPN TRANSISTOR	

23	2	Q2,Q3	TIP120	NPN DARLINGTON
24	1	Q5	MGF0904	POWER GASFET MGF0904
25	1	Q6	MGF0905	POWER GASFET MGF0905
26	1	Q7,R19, D14, C36, C22, C23	NC	POWER GASFET MGF0906



		DENOMINAZIONE 5W R.F. Power Amplifier Component Layout / Piano di Montaggio	
DISPOSITIVO PTRL-NV/2 (Aural STL Transmitter)		DISEGNO D'Alessio D.II	
SEMILAVORATO		TRATTAMENTO	
MATERIALE		TAVOLA n. di	
SCALE		DI	



Item	Q.ty	Reference	Part	DESCRIPTION	PART ORDER CDE
1	2	R19,R20	51CH	CHIP RESISTOR	
2	4	R1,R2,R12,R14	100CH	CHIP RESISTOR	
3	2	R3,R16	2K2CH	CHIP RESISTOR	
4	8	R4,R5,R6,R7,R10,R15,R17, R18	4K7CH	CHIP RESISTOR	
5	4	R8,R9,R11,R13	T1KCH	TRIMMER REG. VER. CHIP	
6	8	C16,C17,C18,C19,C20,C21, C22,C23	4P7FCH	CERAMIC CHIP CAPACITOR	
7	2	C36,C37	1NFCH	CERAMIC CHIP CAPACITOR	
8	6	C24,C25,C26,C27,C32,C33	1NFPAS	CERAMIC THROUGH CAP.	
9	16	C1,C2,C3,C4,C5,C11,C12, C13,C14,C15,C28,C29,C30, C31,C34,C35	10UFCH	ELECTR. CHIP CAPACITOR	
10	2	C9,C10	47UF	ELECTROLYTIC CAPACITOR	
11	6	L1,L2,L3,L4,L5,L6	VK	RF CHOKE	
12	1	LPF1	LPFTX5W2GHZ	LPF TX 5W 2GHz	
13	1	CN1	SMAF	CONN. SMA F TELAIO	
14	1	CN2	NTELAIO	CONN. NATELAIO	
15	6	D3,D4,D5,D9,D10,D11	1N4148CH	CHIP SILICON DIODE	
16	2	D13,D14	BAT83	HOT CARRIER DIODE	
17	1	D6	Z3V3CH	ZENER DIODE 3.3V 0.4W	
18	4	D1,D7,D8,D12	Z4V7CH	ZENER DIODE 4.7V 0.4W CHIP	
19	1	D2	Z13V	ZENER DIODE 13V 0.4W	
20	2	U1,U3	7660SCAB	+5V TO -5V V-CONVERTER	
21	2	U2,U4	78L05	POS. STABILIZER 100mA	
22	2	Q1,Q4	BC847	CHIP NPN TRANSISTOR	

23	2	Q2,Q3	TIP120	NPN DARLINGTON
24	1	Q5	MGF0904	POWER GASFET MGF0904
25	1	Q6	MGF0905	POWER GASFET MGF0905
26	1	Q7	MGF0906	POWER GASFET MGF0906