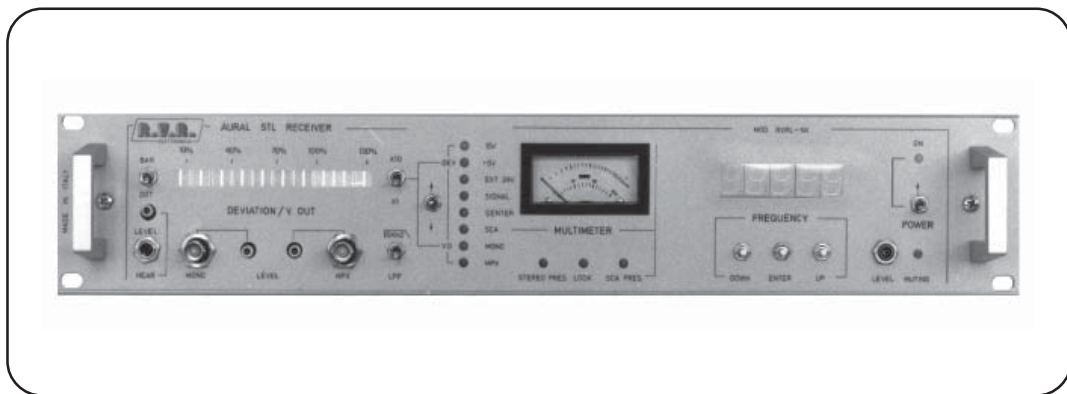

RXRL-NV/2



TECHNICAL AND MAINTENANCE MANUAL
MANUALE TECNICO E DI MANUTENZIONE



Manufactured by R.V.R. Elettronica - Italy

RXRL-NV/2

Studio Receiver Link 1400- 2600 MHz

Technical and Maintenance Manual

Manuale Tecnico e di Manutenzione

English

Pag. 3

Italiano

Pag. 47

INDEX

Preliminary Instructions and Warranty Information Pag. 5

Safety Regulations Pag. 7

SECTION 1

General Description Pag. 10

Electrical Specifications (Table A) Pag. 12

Dimensional & Environmental Specifications (Table B) Pag. 13

SECTION 2

Electrical Description Pag. 14

Front Panel View Description Pag. 17

Front Panel View (Fig.1) Pag. 19

Rear Panel View Description Pag. 20

Rear Panel View (Fig.2) Pag. 21

Top View Description Pag. 22

Top View (Fig.3) Pag. 23

Block Diagram (Fig.4) Pag. 24

SECTION 3

Installation Procedures Pag. 25

Recommended Test Equipment (Table C) Pag. 28

SECTION 4

Maintenance Pag. 29

SECTION 5

Internal Adjustments Pag. 34

SECTION 6

Alignment of the Radio Link Pag. 41

APPENDIX A

Circuit Diagrams, Layouts and Bill of Material Pag. 92

Wiring Diagram Pag. 93

Power Supply Pag. 94

Muting Card Pag. 98

<i>C.P.U.</i>	<i>Pag. 102</i>
<i>Modmeter Card</i>	<i>Pag. 111</i>
<i>Anameter Card</i>	<i>Pag. 116</i>
<i>Audio Process Card</i>	<i>Pag. 124</i>
<i>P.L.L. Card</i>	<i>Pag. 130</i>
<i>V.C.O.</i>	<i>Pag. 135</i>
<i>I.F. 70MHz Card (I.F. 10.7MHz)</i>	<i>Pag. 140</i>
<i>Front-End & Mixer</i>	<i>Pag. 146</i>
<i>Doubler</i>	<i>Pag. 151</i>
<i>Inverter Card (Optional)</i>	<i>Pag. 155</i>
<i>U.S.A. Audio Output Card (Optional)</i>	<i>Pag. 159</i>
<i>Mono-Balance Card (Optional)</i>	<i>Pag. 163</i>
<i>Stereo Decoder Card (Optional)</i>	<i>Pag. 167</i>

PRELIMINARY INSTRUCTIONS AND WARRANTY INFORMATION

Please observe safety precautions when handling this unit. This equipment contains dangerous currents and high voltages.

This manual is written as a general guide for those having previous knowledge and experience with this kind of equipment. It is not intended to contain a complete statement of all safety warnings which should be observed by personnel in using this or other electronic equipment.

R.V.R. doesn't assume responsibility for injury or damage resulting from improper procedures or practices by untrained/unqualified personnel in the handling of this unit.

Please observe all local codes and fire protection standards in the operations of this unit.

CAUTION: always disconnect power before opening covers or removing any part of this unit. Use appropriate grounding procedures to short out capacitors and high voltage points before servicing.

Any damage to the goods must be reported to the carrier in writing on the shipment receipt.

Any discrepancy or damage discovered subsequent to delivery, shall be reported to R.V.R. within five (5) days from its receipt.

R.V.R. extends to the original end-user purchaser all original manufacturers warranties which are transferable and all claims are to be made directly to R.V.R. per indicated procedures.

All manufacturers warranties will be supported by R.V.R. to ensure precise and speedy service where possible.

R.V.R. shall not be liable for any damage of whatsoever nature, arising out of or in connection with the product or its use thereof.

R.V.R.'s warranty shall not include:

- 1) Re-shipment of the unit to R.V.R. for repair purposes
- 2) Any unauthorized repair/modification
- 3) Incidental/consequential damages as a result of any defect
- 4) Nominal non-incident defects
- 5) Re-shipment costs or insurance of the unit or replacement units/parts

Warranty shall come into force from invoice date and for the period of the manufactures warranty.

To claim your rights under this warranty:

- a.** Contact the dealer or distributor where you purchased the unit. Describe the problem and ask if he has an easy solution. Dealers and Distributors are supplied with all the information about problems that may occur and usually they can repair the unit quicker than what the manufacturer could do. Very often installing errors are discovered by dealers.
- b.** If your dealer cannot help you, contact R.V.R. in Bologna and explain the problem. If it is decided to return the unit to the factory, R.V.R. will mail you a regular authorization with all the necessary instructions to send back the goods.
- c.** When you receive the authorization, you can return the unit. Pack it carefully for the shipment, preferably using the original packing and seal the package perfectly. The customer always assumes the risks of loss (i.e., R.V.R. is never responsible for damage or loss), until the package reaches R.V.R. premises. For this reason, we suggest you to insure the goods for the whole value. Shipment must be effected C.I.F. (PREPAID) to the address specified by R.V.R.'s service manager on the authorization.

DO NOT RETURN UNITS WITHOUT OUR AUTHORIZATION AS THEY WILL BE REFUSED.

Be sure to enclose a written technical report where mention all the problems found and a copy of your original invoice establishing the starting date of the warranty.

Replacement and warranty parts may be order from the following address. Be sure to include the equipment model and serial number as well as part description and part number.

R.V.R. Elettronica S.r.l. -
Broadcasting Equipment -
Via del Fonditore, 2/2c
40138 Bologna - Italy

R.V.R. reserves the right to modify the design and specifications of the equipment in this manual without previous notice.

WARNING!

The currents and voltages in this equipment are dangerous!
Personnel must at all times observe safety regulation!

This manual is intended as a general guide for trained and qualified personnel who are aware of the dangers inherent in handling potentially hazardous electrical and electronic circuits.

It is not intended to contain a complete statement of all safety precautions which should be observed by personnel in using this or other electronic equipment.

The installation, operation, maintenance and service of this equipment involves risks both to personnel and equipment, and must be performed only by qualified personnel exercising due care.

R.V.R. ELETTRONICA S.r.l. shall not be responsible for injury or damage resulting from improper procedures or from the use of improperly trained or inexperienced personnel performing such tasks.

During installation and operation of this equipment, local building codes and fire protection standards must be observed.

WARNING!

Always disconnect power before opening covers, doors, enclosures, gates, panels or shields.
Always use grounding sticks and short out high voltage points before servicing. Never make internal adjustments, perform maintenance or service when alone or when fatigued.

Do not remove, short-circuit or tamper with interlock switches on access covers, doors, enclosures, gates, panels or shields.

Keep away from live circuits, know your equipment and don't take chances.

WARNING!

In case of emergency ensure that power has been disconnected

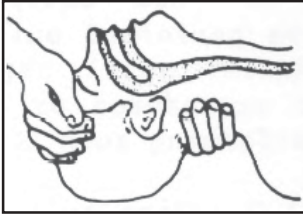
Treatment of electrical Shock

1) If victim is not responsive follow the A-B-C's of basic life support.

PLACE VICTIM FLAT ON HIS BACK ON A HARD SURFACE

A AIRWAY

IF UNCONSCIOUS,
OPEN AIRWAY



LIFT UP NECK,
PUSH FOREHEAD BACK,
CLEAR OUT MOUTH IF NECESSARY,
OBSERVE FOR BREATHING

B BREATHING

IF NOT BREATHING,
BEGIN ARTIFICIAL
BREATHING.



TILT HEAD,
PINCH NOSTRILS,
MAKE AIRTIGHT SEAL,
4 QUICK FULL BREATHS.
REMEMBER MOUTH TO MOUTH
RESUSCITATION MUST BE
COMMENCED AS SOON AS
POSSIBLE.

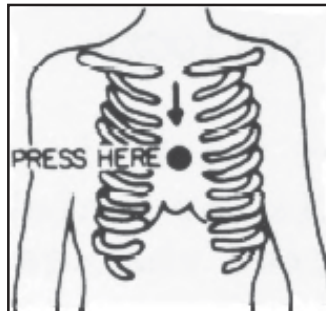
C CIRCULATION

CHECK CAROTID PULSE

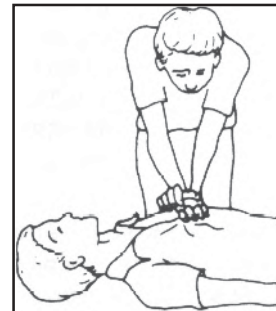


IF PULSE ABSENT,
BEGIN ARTIFICIAL
CIRCULATION

DEPRESS STERNUM 1 1/2" TO 2"



APPROX. 80 SEC. : ONE RESCUER, 15 COMPRESSIONS,
2 QUICK BREATHS.



APPROX. 60 SEC. : TWO RESCUERS, 5 COMPRESSIONS,
1 BREATH

NOTE: DO NOT INTERRUPT RHYTHM OF COMPRES-
SIONS WHEN SECOND PERSON IS GIVING BREATH.

Call for medical assistance as soon as possible.

2) If victim is responsive:

- a. Keep them warm.
- b. Keep them as quiet as possible.

c. Loosen their clothing (a reclining position is recommended).

FIRST-AID

Personnel engaged in the installation, operation, maintenance or servicing of this equipment are urged to become familiar with first-aid theory and practices. The following information is not intended to be a complete first-aid procedure, it is brief and is only to be used as a reference. It is the duty of all personnel using the equipment to be prepared to give adequate Emergency First Aid and thereby prevent avoidable loss of life.

Treatment of electrical Burns

- 1) Extensive burned and broken skin.
 - a. Cover area with clean sheet or cloth.
(Cleansed available cloth article).
 - b. Do not break blisters, remove tissue, remove adhered particles of clothing, or apply any salve or ointment.
 - c. Treat victim for shock as required.
 - d. Arrange transportation to a hospital as quickly as possible
 - e. If arms or legs are affected keep them elevated.

NOTE

If medical help will not be available within an hour and the victim is conscious and not vomiting, give him a weak solution of salt and soda: 1 level teaspoonful of salt and 1/2 level teaspoonful of baking soda to each quart of water (neither hot or cold).

Allow victim to sip slowly about 4 ounces (half a glass) over a period of 15 minutes.

Discontinue fluid if vomiting occurs (Do not give alcohol).

- 2) Less severe burns - (1st & 2nd degree)
 - a. Apply cool (not ice cold) compresses using the cleansed available cloth article.
 - b. Do not break blisters, remove tissue, remove adhered particles of clothing, or apply salve or ointment.
 - c. Apply clean dry dressing if necessary.
 - d. Treat victim for shock as required.
 - e. Arrange transportation to a hospital as quickly as possible.
 - f. If arms or legs are affected keep them elevated.

SECTION 1

GENERAL DESCRIPTION

1.1 MECHANICAL DESCRIPTION

The RXRL-NV/2 is housed in a 2U, 19" rack-mounting chassis comprising a number of interconnected modules mounted internally on the base of the unit. This allows easy removal and replacement of each module. The audio output level controls (Mono and Stereo) and meters for various operating parameters are situated on the front panel. Mains power, II° I.F. Monitorial Output and R.F. input connectors are mounted on the rear panel.

1.2 ELECTRICAL DESCRIPTION

The RXRL-NV/2 is a high quality, broadband, FM receiver with a harmonic distortion better than 0.3%. The receiver is microprocessor-controlled and synthesized with steps of 100KHz in the 1400-2600MHz band. Furthermore, a 15KHz low-pass filter is provided which may be inserted in the MPX output (always setted on Mono output).

1.3 METERS AND INDICATORS

The receiver's operating parameters can be measured with the analog multimeter (21 Fig.1) and the led bar-graph display (18 Fig.1) situated on the front panel. The measurement being made by the analog multimeter is indicated by a led indicator (8 Fig.1) and selectable via the corresponding control (20 Fig.1). Peak deviation can be measured with the bar-graph display in steps of 6.6KHz. The five-figure display (22 Fig.1), mounted centrally, indicates the operating frequency selected by the UP (14 Fig.1) and DOWN (12 Fig.1) controls and saveable with the ENTER (13 Fig.1) control. Three leds provide indication of VCO locked (10 Fig.1), the presence of a stereo signal (9 Fig.1) and the presence of an SCA signal (11 Fig.1) if the optional decoder is fitted.

1.4 REMOTE CONTROL (OPTIONAL)

In this equipment an optional serial port (9 pin D-type) is available allowing remote control of operating frequency and audio muting.

1.5 SPECIFICATIONS

Please refer to Table A for the Electrical Specifications and Table B for the Dimensional and Environmental Specifications.

TABLE A

ELECTRICAL SPECIFICATIONS

A.C. Power	100,120,220 and 240 V $\pm 10\%$ 50-60 Hz, single phase 22W 24 Vdc optional
Cooling	Forced ventilation
Operating frequency	from 1400 to 2600 MHz in Sub-Bands of 50MHz
Sensitivity	MPX: 1.00mV or less for 60dB SNR (measured on each single channel) Mono: 100 μ V or less for 65dB SNR
Selectivity	± 100 KHz at -3dB ± 350 KHz at -70dB
Total harmonic distortion	< or = at 0.3%
Stereo separation	45 dB, from 40Hz to 15KHz
Audio outputs	MPX: +13 dBm, 600 Ohm unbalanced Mono: +13 dBm, 600 Ohm unbalanced

TABLE B

DIMENSIONAL AND ENVIRONMENTAL SPECIFICATIONS

Chassis Dimensions

82mm (3.22") H
326mm (12.83") D
445mm (17.51") W

Panel Dimensions

483mm (19") W
88mm (3.47") H

Ambient Operating Temperature

from -10°C to +50°C

Humidity

95% maximum, non-condensing

Weight

22,2 Lbs (10 Kg)

SECTION 2

ELECTRICAL DESCRIPTION

2.1 INTRODUCTION

This section describes, in detail, the operating theory of the RXRL-NV/2.

To aid understanding, the unit has been subdivided into blocks, each of which is fully described below.

A block diagram is shown in Fig.4.

2.2 POWER SUPPLY

This circuit consists of 1 board mounted on the right side of the chassis base (7 Fig.3).

The supply is designed to accept line voltages of 100V, 120V, 220V and 240V $\pm 10\%$ (24Vdc optional) at a frequency of 50-60Hz.

The power supply generates the stabilized voltages required by the various modules comprising the RXRL-NV/2.

After having undergone filtering for mains-borne interference, the supply is transformed to lower voltages, rectified, smoothed and stabilized for the following outputs: +5V, +15V and -15V.

The +5V output supplies the CPU card and the PLL card, while the $\pm 15V$ outputs supply the CPU card, the Modmeter card, the Anameter cards 1 and 2, the Front-end/Mixer, the Audio Process card, the 70MHz IF card, the PLL, the Muting card and the Doubler.

All supply voltages may be monitored by the analog multimeter.

2.3 CPU

The CPU is housed in a metal box and mounted on the right side of the front panel (4 Fig.3).

This circuit converts the number corresponding to the selected operating frequency into binary code which is written to the programmable dividers of the PLL.

This allows the VCO to lock to the desired operating frequency.

Several of the receiver's parameters may be remotely controlled via an optional 9 pin D-type serial port.

In the absence of mains power, a non-volatile memory maintains indefinitely the last frequency that was programmed.

2.4 MODMETER CARD

This card is mounted on the left side of the front panel (1 Fig.3). This circuit allows the deviation of the signal received by the Audio Process card (Mono, MPX or SCA).

The card has two BNC connectors; one for the mono signal and the other for the stereo signal.

A switch allows the gain of the measuring circuit to be set to 10% or 100% for a more precise reading of low-level deviation (eg. SCA, RDS, pilot tones).

Another switch sets the display mode to bar-graph or peak mode.

The display comprises 14 green leds and 6 red leds.

In the 100% display mode, each led represents 6.66KHz of deviation with the first red led representing 100KHz and FSD at 130KHz.

In the 10% mode, each led represents 0.66KHz of deviation.

2.5 ANAMETER CARD

This circuit comprises two cards and a meter mounted centrally on the front panel (3 Fig.3).

This sub-assembly displays the values of various operating parameters of the receiver: internal voltages and signal levels of MONO, MPX, STEREO, SCA, CENTER (signal centering) and SIGNAL (signal amplitude).

The parameters are selected by a lever switch (20 Fig.1) and the selection is indicated by the legend of the green led (8 Fig.1).

The readings are taken using the corresponding scale:

<i>MEASUREMENT</i>	<i>SCALE</i>	<i>FDS</i>
<i>Internal voltages</i>	<i>V</i>	<i>30V</i>
<i>Signal levels</i>	<i>V</i>	<i>1mV</i>

Three green leds indicate the presence of a STEREO signal, P.L.L. lock and the presence of a SCA signal (SCA PRES. and STEREO PRES. leds are working only with the option decoder fitted).

2.6 FRONT-END & MIXER

These cards are housed in an aluminum billet (2 Fig.3) and are mounted on the front part of the metal container enclosing the Audio Process and 70 MHz IF cards.

The Front-End section receives the RF signal from the RF cavity, filters and amplifies it.

The Mixer section receives the RF signal from the Front-End circuit and mixes it with the signal generated by the Doubler.

The difference signal obtained is supplied to the 70 MHz IF card.

2.7 CAVITY FILTER

This cavity filter (9 Fig.3) is screwed to cover of the metal container

housing the Audio Process and 70MHz IF cards.

The receiver's RF cavity is used to privilege its working frequency.

2.8 PLL

This card (13 Fig.3) is mounted on the left side of the base of the unit. The VCO (12 Fig.3) is mounted on this card, enclosed in a metal container. This circuit receives the R.F. signal and reads the binary equivalent of the frequency supplied by the CPU.

The PLL compares the reference signal to the VCO signal and uses the difference to lock the VCO to the operating frequency.

2.9 AUDIO PROCESS CARD

This card is mounted in the rear of the metal container situated in the center of the unit.

The Audio Process card processes the various audio signals such as MONO, MPX, SCA and RDS coming from the 70 MHz IF card.

Furthermore, it supplies these processed signals to the various instruments found on the Anameter and Modmeter cards.

The card also provides a signal for the Muting card which displays the muting status and allows the adjustment of the threshold (factory calibrated to approx. -83 dBm).

2.10 70MHz IF CARD

This card is mounted at the front of the metal container situated in the center of the unit.

The circuit receives a 70MHz input which is filtered, amplified and then mixed with a 59.3MHz signal generated by a crystal oscillator.

The resultant 10.7MHz signal, being the difference of the above card for processing.

2.11 MUTING CARD

This card is mounted on the right side of the front panel and allows adjustment of the receiver's muting threshold (= -83 dBm of default) and displays the muting status with a led (16 Fig.1).

2.12 DOUBLER

This circuit (6 Fig.3) is screwed to the cover of the metal container housing the Audio Process and 70 MHz IF cards. The circuit doubles the frequency of the VCO output at a level of about +7 dBm, and the output is supplied to the input of the Mixer which combines it with the R.F. signal.

The resultant 70 MHz signal is then supplied to the 70 MHz IF card.

FRONT PANEL VIEW DESCRIPTION (FIG.1)

- | | | |
|----|--|--|
| 1 | LEVEL HEAR | Hear level trimmer |
| 2 | HEAR | Hear jack |
| 3 | MONO | Mono output connector, BNC type |
| 4 | MONO LEVEL TRIMMER | Mono Level Trimmer |
| 5 | STEREO LEVEL TRIMMER | Stereo Level Trimmer |
| 6 | MPX | Stereo output connector, BNC type |
| 7 | ON/OFF LPF\15KHz | ON/OFF Low Pass Filter selector |
| 8 | LEDS | Light indicator indicated which parameter of the receiver is being displayed on the analog meter |
| 9 | STEREO PRES.
included) | STEREO signal led indicator (only with STEREO internal decoder |
| 10 | LOCK
frequency | This indicator will light when the VCO is locked to the reference |
| 11 | SCA PRES.
included) | SCA signal led indicator (only with SCA internal decoder |
| 12 | DOWN | Control frequency display.
Any momentary pushes causes the digit to go down 100KHz a time |
| 13 | ENTER
frequency is stored until a new
is entered on the front
power is turned | Enters the frequency on the display into microprocessor and memory. Once entered, the frequency panel even if the off for several days |
| 14 | UP
in 100KHz steps | Controls the display frequency in the same way as the "DOWN" button, except that the frequency goes up |
| 15 | LEVEL MUTING | Muting Level Trimmer |

- 16 MUTING Muting led indicator
- 17 BAR/DOT Selector of operation mode
(BAR/DOT) for deviation meter
- 18 DEVIATION Deviation meter by "Led Diode Bar"
- 19 x1/x10 Expansion of modulation meter
scale:
Pos. X1 - Full scale shows 100%
Pos. X10 - Full scale shows 10%
- 20 METER SELECTOR Pushing the switch each time will
light on led at a time in upward
direction
- 21 METER Analog meter used to monitor the
parameters of the receiver such
as:
+15V
+5V
EXT 24V
SIGNAL
CENTER
SCA
MONO
MPX
- 22 FREQUENCY DISPLAY Frequency indicator
- 23 ON ON/OFF Power Switch Led
- 24 POWER ON/OFF Power Switch

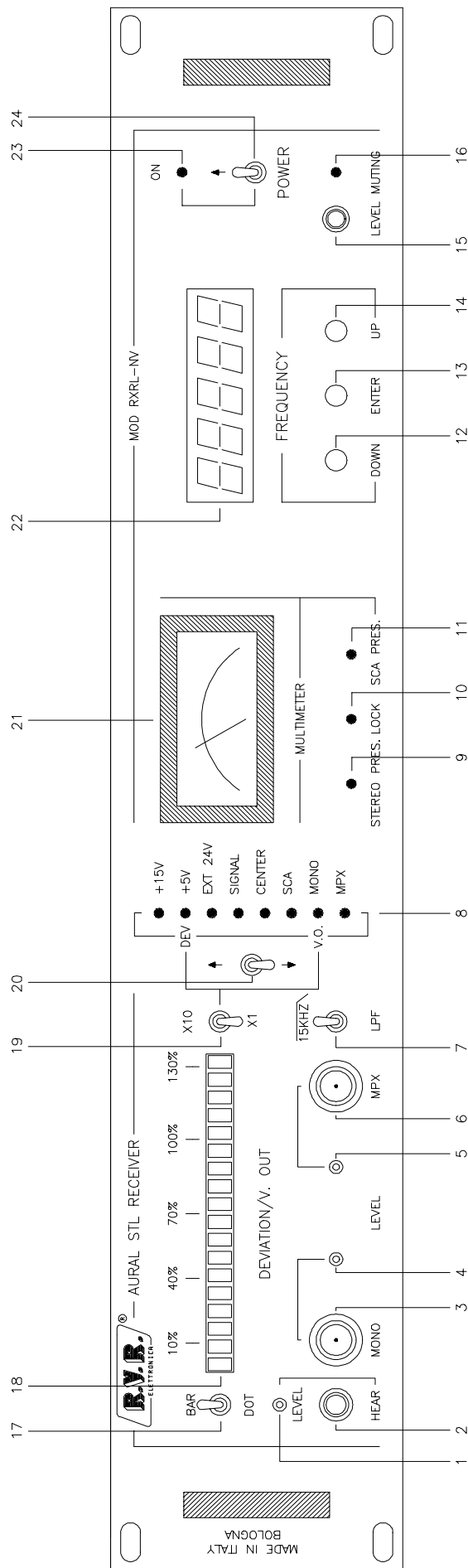


FIG. 1

REAR PANEL VIEW DESCRIPTION (FIG.2)

- 1 PLUG A.C. power plug
- 2 FUSE BLOCK Fuse Block & Voltage Changer. Use a small screwdriver to change fuse or volt age setting. Turn block and place desired operating voltage next to arrow
- 3 REMOTE CONTROL DB9 communication line to control or receive status of the receiver. Baud rate is 1200 Baud. On request, it may be changed to 300, 600 or 2400 baud. A program is available on 5 1/4" or 3 1/2" disk for IBM ® or compatible. Plug is a standard DB9 female.
- | | |
|-------|---------------|
| Pin 1 | Not Connected |
| Pin 2 | TXD |
| Pin 3 | RXD |
| Pin 4 | DSR * |
| Pin 5 | GND |
| Pin 6 | DTR * |
| Pin 7 | CTS \$ |
| Pin 8 | RTS \$ |
| Pin 9 | Not Connected |
- * DTR and DSR are connected together
- \$ CTS and RTS are connected together
- 4 (+) EXT 24V (Optional) Positive terminal for EXT 24
- 5 (-) EXT 24V (Optional) Negative terminal for EXT 24V
- 6 U.S.A. Audio Output (Optional) U.S.A. audio outputs for telemetry
- 7 FAN Cooling fan
- 8 TEST POINT 10.7MHZ Test point connector 10.7MHz
- 9 VOLTAGE REGULATOR 1 Voltage regulator for +5V
- 10 VOLTAGE REGULATOR 2 Voltage regulator for +15V
- 11 R.F. INPUT 50 Ohm, "N" Connector

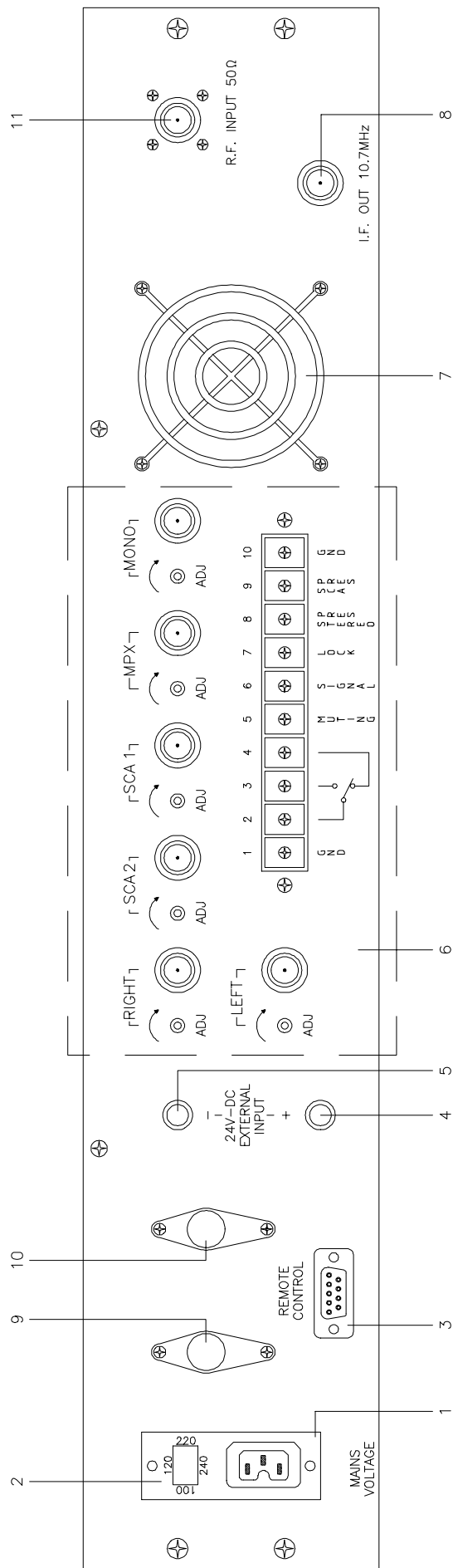


FIG. 2

TOP VIEW DESCRIPTION (FIG. 3)

- 1 Modulation Meter & Mono/Mpx Output Board
- 2 Front-End & Mixer
- 3 Anameter Card
- 4 C.P.U.
- 5 Transformer
- 6 Doubler
- 7 Power Supply
- 8 Supply Socket
- 9 R.F. Cavity
- 10 Fan
- 11 R.F. Input Connector
- 12 V.C.O.
- 13 P.L.L. Card

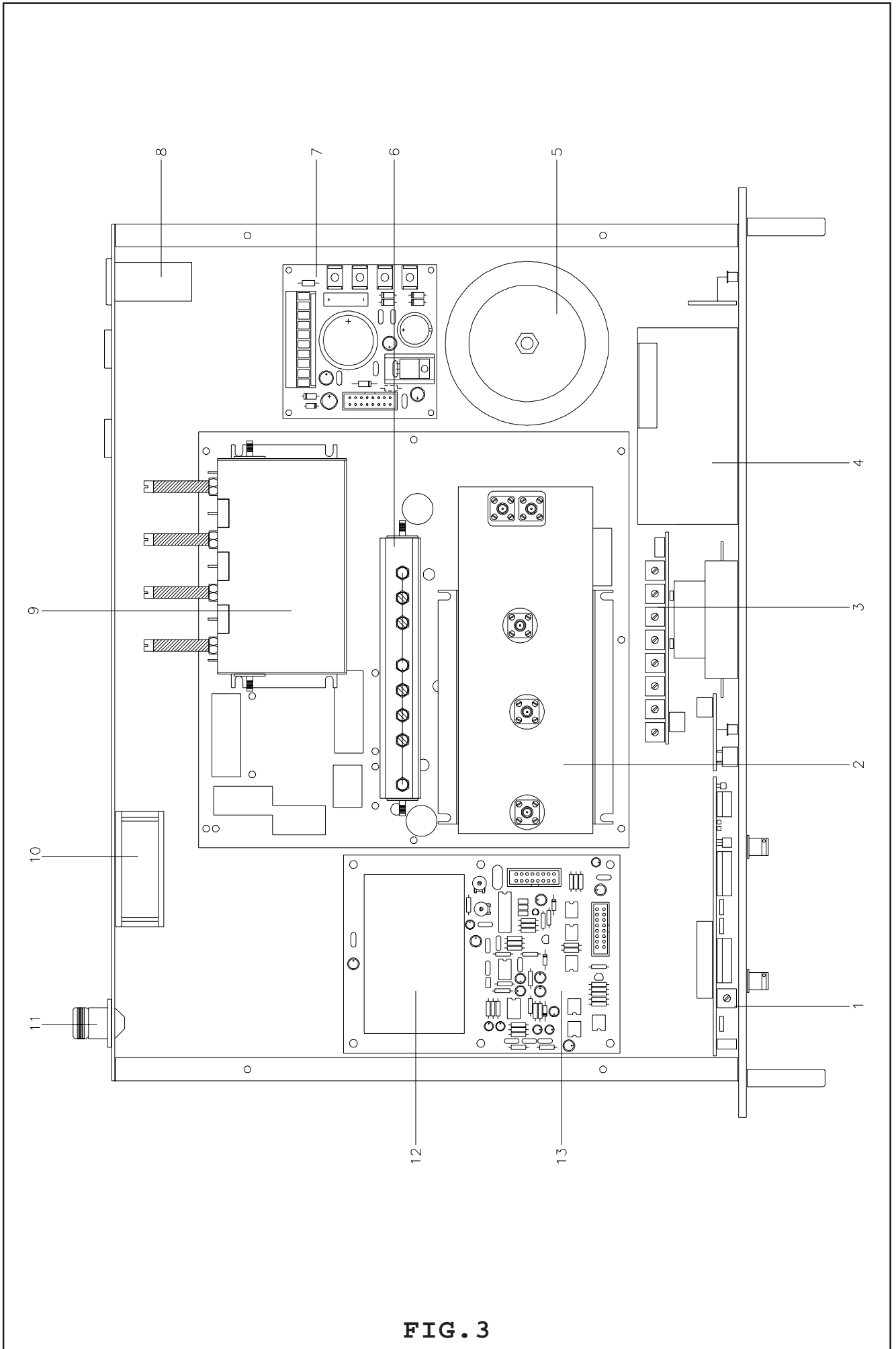


FIG. 3

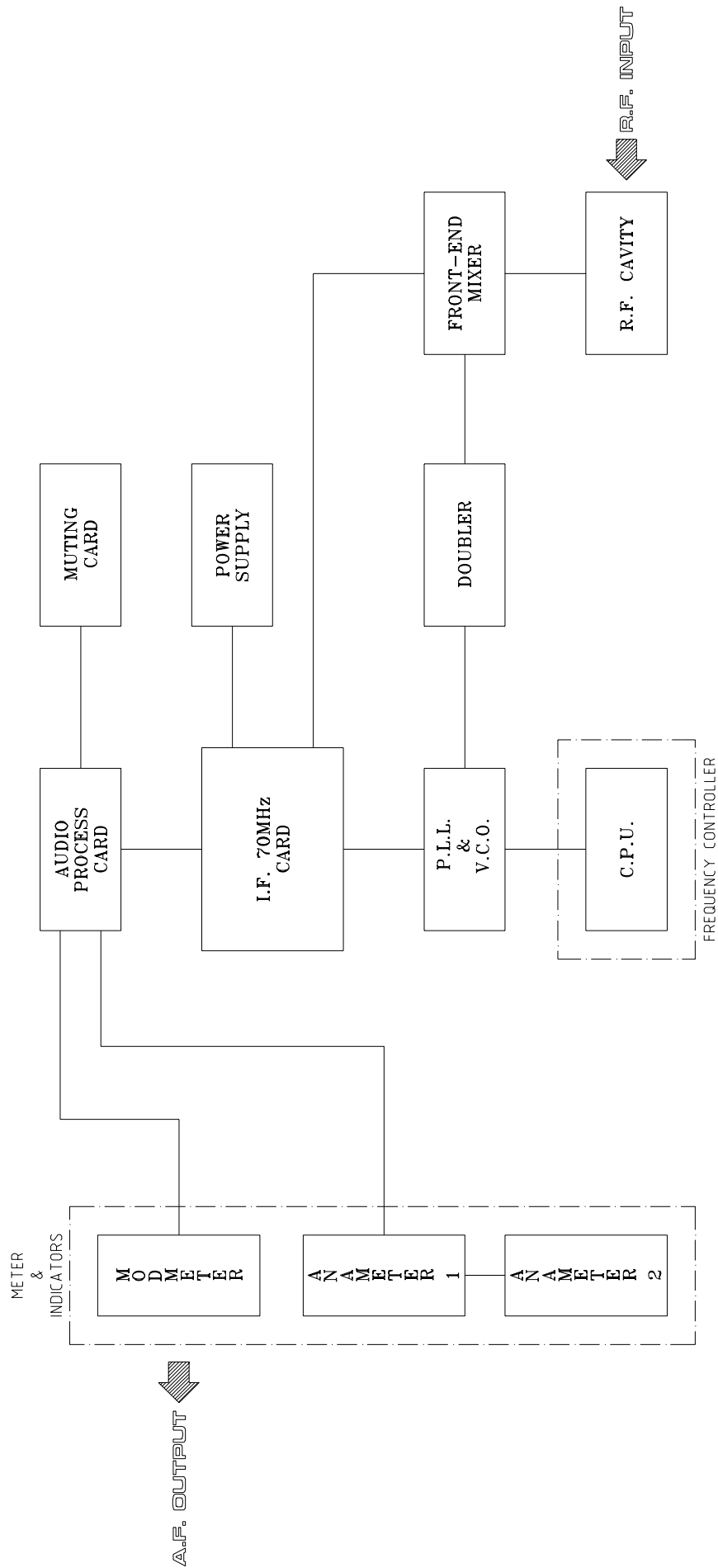


FIG. 4

SECTION 3

INSTALLATION PROCEDURE

3.1 INTRODUCTION

This chapter contains the information required to install the RXRL-NV/2 and carry out preliminary checks.

3.2 UNPACKING

Remove the unit from its packing and, before anything else, ensure that the unit has not suffered any damage during transit and that all front and rear panel controls are operational.

3.3 INSTALLATION

To install the RXRL-NV/2 receiver, carry out the following procedure:

- 1) This receiver is able to operate from 4 different supply voltages: 100, 120, 220 or 240Vac, at 50-60Hz.

First of all select the correct supply voltage using the selector situated on the rear panel; use a screwdriver to raise the cover (2 Fig.2) on which are the various voltages, rotate it until the arrow points to the correct voltage and re-insert it.

Check that a fuse is fitted to the cover and that its value corresponds to the following:

220-240Vac 1A
100-120Vac 2A

- 2) Ensure that the antenna is correctly fitted to the R.F. input (11 Fig.2) situated on the receiver's rear panel.
- 3) Switch the power switch (24 Fig.1) to the OFF position.
- 4) Connect power to the unit via the VDE socket (1 Fig.2).

NOTE: It is essential that the unit be properly earthed to ensure both the safety of the operator as well as the correct functioning of the equipment.

- 5) Switch the power switch to the ON position and check that the green POWER ON led (23 Fig.1), and the green led corresponding to the parameter selection SIGNAL (8 Fig.1), are both lit.

After a few seconds the frequency display (22 Fig.1) will come on and display a number (eg. 1750.00) corresponding to the last operating frequency to have been programmed.

The green LOCK led should switch on within 30 seconds indicating

that the oscillator has locked to the operating frequency displayed. The display has five digits, 4 before the decimal point representing (from left to right) thousands of MHz, hundreds of MHz, tens of MHz and MHz; and 1 after the decimal point representing hundreds of KHz. To change this number, use the UP (14 Fig.1) and DOWN (12 Fig.1) buttons to respectively increase it and decrease it.

Once the desired frequency has been found, press ENTER (13 Fig.1) to confirm and save it.

As soon as the ENTER button has been pressed, the LOCK led will switch off (providing that the new frequency is different from the old), indicating that the VCO is re-tuning to the new frequency.

If the ENTER is not pushed, the display will flash the new value four times and then reset to the previous value.

NOTE: The receiver will continue to function normally at the same frequency, throughout the procedure described above, until the ENTER button is pressed.

Note that a momentary press of the UP and DOWN buttons will increment or decrement the right most digit by 1 (corresponding to a frequency change of 100KHz).

A longer press of either button will cause the display to increment or decrement continuously until the button is released.

Furthermore, when the limit of the operating frequency band is reached, the displayed frequency will jump to the other limit and carry on changing in the direction corresponding to the button being pushed.

NOTE: The frequency band is pre-defined by the user and rarely exceeds 50 MHz.

Example: Band 1750-1800 MHz:

UP button pressed: 1799.99 1800.00 1750.00 1750.10

DOWN button pressed: 1750.10 1750.00 1800.00 1799.99

After the PLL has been locked for about 90 seconds, the display turns off automatically.

To switch it on, press the ENTER button.

- 6) Connect an audio analyzer to the MONO (3 Fig.1) or MPX outputs (6 Fig.1).

Using an R.F. signal generator, inject a carrier at the receiver's operating frequency into the R.F. input of the receiver, at a level of -47dBm.

Modulate the carrier with a 400Hz tone at a deviation of ± 100 KHz. Check that the analog meter (21 Fig.1) displays a reading of 1mV.

- 7) Select CENTER with the selector (20 Fig.1) and check that the received signal is centered.

- 8) Deviation meter check.

Set the modulation display gain (20 Fig.1) to 130% f.s.d.

Connect an audio analyzer to the MONO output (3 Fig.1).

Check that the bar-graph display (18 Fig.1) lights up to the first

red led, indicating 100% deviation (equivalent to 100 KHz).

With the DOT/BAR switch in the bar position, all the green leds and first red led will be on.

Check that the audio analyzer reads +13dBm.

9) Connect an audio analyzer to the STEREO output (6 Fig.1).

Inject an externally generated carrier at the receiver's operating frequency, modulated by a 10KHz tone with ± 100 KHz deviation, into the receiver's R.F. input.

Check that, as for the MONO channel, the first red led switches on.

Check also that the level measured by the audio analyzer is 2.5dBm for the version with 50 μ sec de-emphasis and -1dBm for the version with 75 μ sec de-emphasis.

10) Inject a signal with a level of -83dBm and adjust the MUTING trimmer R2 (15 Fig.1) until the red muting led switches on.

The audio signal will be automatically disabled and the Modmeter bar-graph display will go out.

Using a pair of headphones, check that the audio has indeed been disabled and that no signal remains audible.

If the audio level rises, the MUTING led will go out and reception will continue as before.

11) The correct functioning of the STEREO PRES. led can only be verified if the optional Stereo Decoder is fitted.

Similarly, the SCA PRES. led can only be checked if an optional SCA decoder is fitted and a SCA signal is being received.

TABLE C

RECOMMENDED TEST EQUIPMENT

INSTRUMENT	MODEL	SPECIFICATIONS
Non-inductive dummy load	Bird	50 Ohm P > 5W
Spectrum Analyzer	Advantest Mod. R4141D	10KHz - 3.5GHz
F.M. Modulation Meter	Rohde Schwarz Mod. F.A.M.	
Digital Multimeter	Metrix	
Power Meter	Hewlett Packard Mod. 435B	
Stereo Decoder	A.E.V. Mod. SMD	Stereo separation > 60dB 30Hz to 15KHz
Low Distortion A.F. generator	Krohn-Hite Mod. 4400A	THD < 0.001%
Oscilloscope	Tektronix	DC-20MHz
R.F. Generator	Rohde Schwarz Mod. SMPD	5KHz / 2720MHz
Audio Analyzer	Panasonic Mod. 2247A	
30dB Attenuator	Hewlett Packard Mod. 8498A	Max Avg Pwr 30W
Variable Attenuator	Hewlett Packard Mod. 8496B	Attenuator 110dB Max RF Pwr 1W CW
Variable Attenuator	Hewlett Packard	Attenuator 11dB Max RF Pwr 1W CW

SECTION 4

MAINTENANCE

4.1 SAFETY REQUIREMENT

WARNING WARNING WARNING WARNING WARNING WARNING WARNING

When the receiver is operational, removing the top panel will expose lethal voltages on the line voltage selector.

Use insulated tools for any type of adjustment and do not touch any internal component with the unit switched on.

Ensure that the unit is disconnected from all sources of power before carrying out any inspection or maintenance work.

MAINTENANCE LEVEL 1

4.2 ROUTINE MAINTENANCE

The only routine maintenance required by the RXRL-NV/2 is the periodic replacement of the cooling fan and the removal of accumulated dust.

The period between such action will depend on ambient operating conditions such as temperature, air-borne dust levels and humidity.

It is advisable to check the unit every 6 months and to replace noisy or worn fans.

Fans should be replaced as a matter of course after no more than 18 months of operation.

MAINTENANCE LEVEL 2

4.3 CPU REPLACEMENT

- 1) Open the top cover of the unit.
- 2) Disconnect connectors CN1 and CN1 that connect the CPU to the P.L.L. card and the RS232C connector, respectively.
- 3) Undo the screws holding the front panel in place.
- 4) Undo the nuts holding the front panel switches in place and remove the CPU.
- 5) Remove the card with great care.
- 6) Undo the screws holding the CPU's protective metal container, and remove the cards.

4.4 ANAMETER CARD REPLACEMENT

- 1) Open the top cover of the unit.
- 2) Undo the front panel fixing screws.

- 3) Disconnect connector CN1 connecting the Anameter card to the Audio Process card.
- 4) Undo the nut holding the selector switch in place on the front panel.
- 5) Unscrew the nuts holding the card to the meter.
- 6) Remove the card with great care.

4.5 MODMETER CARD REPLACEMENT

- 1) Open the top cover of the unit.
- 2) Disconnect connector CN1.
- 3) Undo the front panel fixing screws.
- 4) Disconnect the 2 pole connector connecting the Modmeter card to the LEVEL HEAR connector situated on the front panel.
- 5) Undo the MONO and MPX connector fixing nuts and the switch fixing nuts on the front panel.
- 6) Slide the card out with great care.

4.6 POWER SUPPLY REPLACEMENT

- 1) Open the top cover of the unit.
- 2) Disconnect connector CN6.
- 3) Disconnect the connector block CN5.
- 4) Take careful note of the position of each cable with reference to its color.
- 5) Disconnect the faston connectors (CN1, CN2, CN3, CN4) connecting the transformer to the bridge rectifier.
- 6) Remove the screws fixing the card to the chassis.
- 7) Remove the Power Supply with great care.

4.7 FRONT-END AND MIXER REPLACEMENT

- 1) Open the top cover of the unit.
- 2) Disconnect connectors CN1, CN2 e CN3.

- 3) Desolder the power cable.
- 4) Unscrew the Front-End/Mixer from the cover of the metal container protecting the Audio Process and 70MHz IF cards.
- 5) Remove the Front-End/Mixer with great care

4.8 P.L.L. REPLACEMENT

- 1) Open the top cover of the unit.
- 2) Desolder the wire connecting the PLL to the Doubler.
- 3) Disconnect connectors CN1, CN2 and CN3.
- 4) Undo the nuts fixing the PLL card in place.
- 5) Remove the PLL with great care.

4.9 MUTING CARD REPLACEMENT

- 1) Open the top cover of the unit.
- 2) Disconnect connector CN0.
- 3) Undo the nut fixing the LEVEL MUTING trimmer to the front panel.
- 4) Remove the Muting card with great care.

4.10 AUDIO PROCESS CARD REPLACEMENT

- 1) Open the top cover unit.
- 2) Open the cover of the metal container which protects the Audio Process card and the 70MHz IF card and it will also be necessary to disconnect the Front-End, the Mixer and Doubler connectors fixed to the cover.
- 3) Take note of the position of the various connectors of the Audio Process and 70MHz IF cards.
- 4) Disconnect connectors CN1, CN2, CN3 and CN4 from the Audio Process card and connectors CN2, CN3, CN4, CN5 and CN6 from the 70MHz IF card, the latter to facilitate removal.
- 5) Undo the nuts holding the card in place and remove the card with the great care.

4.11 70MHZ IF CARD REPLACEMENT

- 1) Open the top cover of the unit.
- 2) Open the cover of the metal container which protects the Audio Process card and the 70MHz IF card and disconnect the Front-End, the Mixer and Doubler connectors fixed to the cover.
- 3) Take note of the positions of the various connectors of the Audio Process and 70MHz IF card.
- 4) Disconnect connectors CN1, CN2, CN3 and CN4 from the Audio Process card and connectors CN2, CN3, CN5, CN5 and CN6 from the 70MHz IF card.
- 5) Undo the nuts holding the 70MHz IF card in place.
- 6) Remove the card with great care.

4.12 V.C.O. REPLACEMENT

- 1) Open the top cover of the unit.
- 2) Disconnect connectors CN1, CN3 and CN4 of the P.L.L. Card.
- 3) Desolder the power cable coming from the P.L.L..
- 4) Desolder the metal box from upper cover.
- 5) Remove the V.C.O. with great care.

4.13 DOUBLER REPLACEMENT

- 1) Open the top cover of the unit.
- 2) Disconnect connectors CN1 and CN2.
- 3) Desolder the Doubler power supply cable.
- 4) Unscrew the Doubler from cover of the metal container which protects the Audio Process card and the 70MHz IF card.
- 5) Remove the Doubler with great care.

4.14 R.F. CAVITY REPLACEMENT

- 1) Open the top cover of the unit.
- 2) Disconnect connectors of the R.F. cavity.

- 3) Unscrew the R.F. Cavity from the cover of the metal container which protects the Audio Process card and the 70MHz IF card.
- 4) Remove the R.F. Cavity with great care.

SECTION 5
CALIBRATION PROCEDURE OF

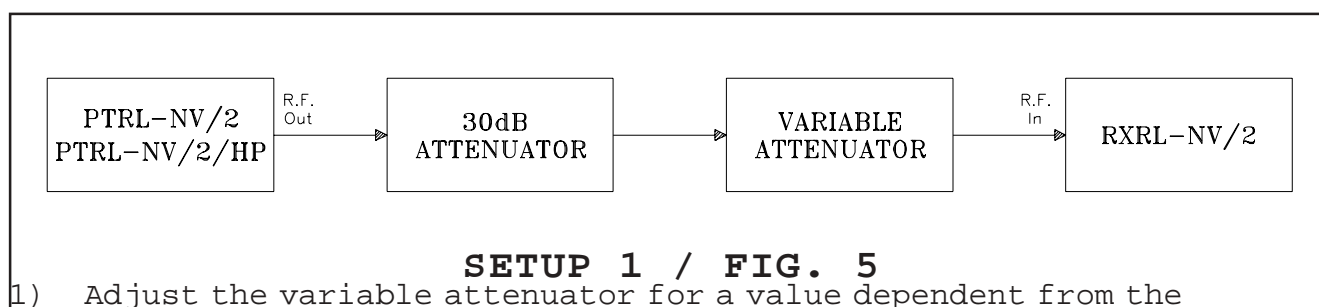
MODULES

5.1 INTRODUCTION

TO ENSURE AN ACCURATE CALIBRATION OF THE RECEIVER, ALLOW THE UNIT TO REACH NORMAL OPERATING TEMPERATURE BEFORE CALIBRATION

5.2 CALIBRATION OF THE R.F. CAVITY

To carry out this procedure, connect the transmitter and receiver as showed in SETUP 1 (Fig.5):



SETUP 1 / FIG. 5

1) Adjust the variable attenuator for a value dependent from the transmitter's output power (Table E).

POWER OUTPUT	ATTENUATION	30dB ATTENUATOR	VALUE OF VARIABLE ATTENUATOR
1W	83 dB	30 dB	53 dB
2W	86 dB	30 dB	56 dB
5W	90 dB	30 dB	60 dB

Note : The attenuation values, above mentioned, are used to obtain a -53dBm signal on the receiver's R.F. Input

2) Calibrate the R.F. Cavity, situated on the receiver, for the maximum R.F. signal, checking against the corresponding reading on the receiver's meter (maximum R.F. signal displayable = -47dBm).

5.3 CALIBRATION OF THE FRONT-END AND MIXER

The Front-End/Mixer module is presetted on working frequency by factory. In case in which is necessary to change frequency band, send the module to the factory for the re-adjustement because this setting is very difficult.

5.4 CALIBRATION OF THE 70MHZ IF STAGE

To carry out this procedure, configure the unit as detailed in SETUP 2 (Fig.6):



1) Use an R.F. signal generator to inject a -47 dBm signal into the R.F. input of the receiver.

SETUP 2 / FIG. 6

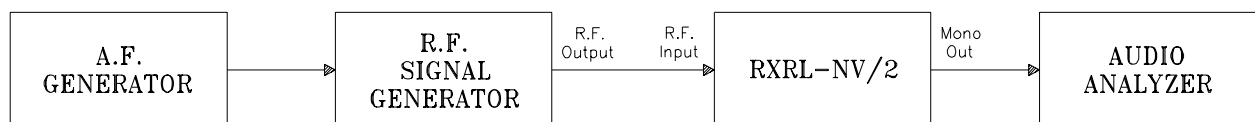
2) Using a frequency meter, check the accuracy of the 10.7 MHz IF (10.700 MHz is acceptable).

Adjust if necessary using compensators C27 and C28 situated on the PLL card.

3) Using an oscilloscope, adjust TR1 and then TR2, situated on the card, to maximize the 10.7 MHz IF signal level.

4) Check that the amplitude of the 10.7 MHz IF signal is still 150 mVpp, and if not, adjust P1 accordingly (take care adjusting P1 not to increase distortion levels).

5) Now configure the receiver as detailed in SETUP 3 (Fig.7).



6) Inject a 400 Hz tone into the R.F. generator and modulate it with a deviation of ±100 KHz. The resultant output should be fed to the R.F. input of the receiver.

SETUP 3 / FIG. 7

7) Check that the MONO (R42) and STEREO (R41) trimmers, situated on the front panel, are in their maximum position.

8) Measure the MONO signal level output by the receiver into the audio signal analyzer.

9) Adjust TR3 for the maximum value and TR4 for the minimum.

10) Set the audio analyzer to a measure audio distortion percentage with a low-pass filter at 30 KHz.

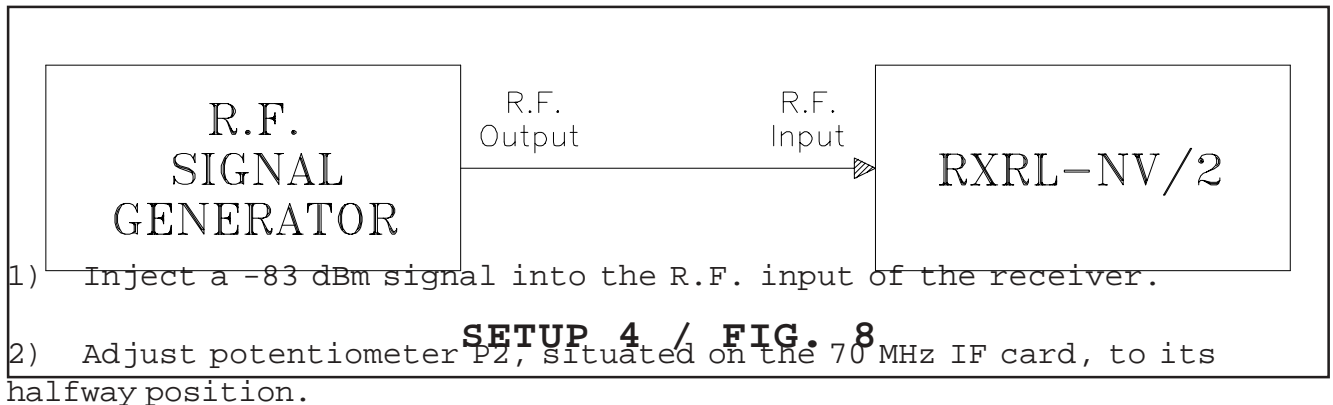
11) Adjust TR3 and TR4, alternately, to obtain the minimum MONO distortion figure (typically 0.1%). Having optimized the MONO figure, the STEREO figure should also be optimized (typically 0.3%).

If this is not the case, adjust P1, TR1 and TR2, taking care not

to reduce excessively the amplitude of the 10.7 MHz IF signal.

5.5 CALIBRATION OF THE MUTING CARD

To carry out this procedure, configure the unit as detailed in SETUP 4 (Fig.8).



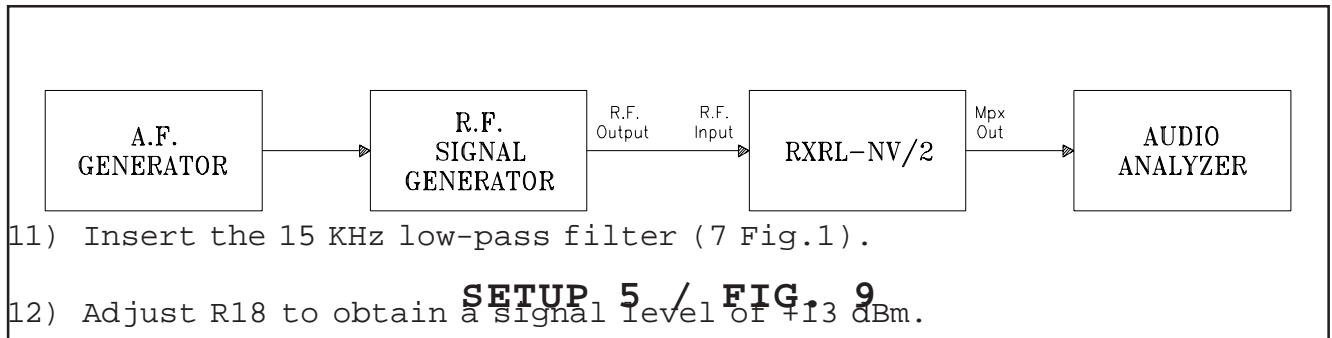
3) Adjust trimmer R2, situated on the MUTING card, until the receiver disables the audio signal.

5.6 CALIBRATION OF THE AUDIO PROCESS CARD

To carry out this procedure, configure the unit as detailed in SETUP 3 (Fig.7).

- 1) Check that trimmers R41 and R42, corresponding to the MONO and MPX outputs, are at maximum.
- 2) Check that jumper JP1 is in the correct position for the desired de-emphasis (position A = 50µs European version; position B = 75µs American version).
- 3) Inject a signal with the carrier at the receiver's operating frequency and modulated with 400 Hz at ±100 KHz deviation.
- 4) Adjust R8 to obtain a reading on the audio analyzer of +13dBm for the MONO input.
- 5) Now inject a 10 KHz signal with a deviation of 100 KHz.
Adjust R12 for a reading of 2.5 dBm for 50µs de-emphasis (-1dBm for 75µs de-emphasis).
- 6) Inject a carrier at the receiver's operating frequency, modulated by a 400 Hz tone with a deviation of ±100 KHz.
- 7) Check that the signal level is still +13 dBm and if not, adjust R8.

- 8) Use the Modmeter calibration procedure to ensure that the readings are correct.
- 9) It is essential to calibrate the MONO signal before being able to accurately measure MPX.
- 10) Configure the unit as detailed in SETUP 5 (Fig.9).



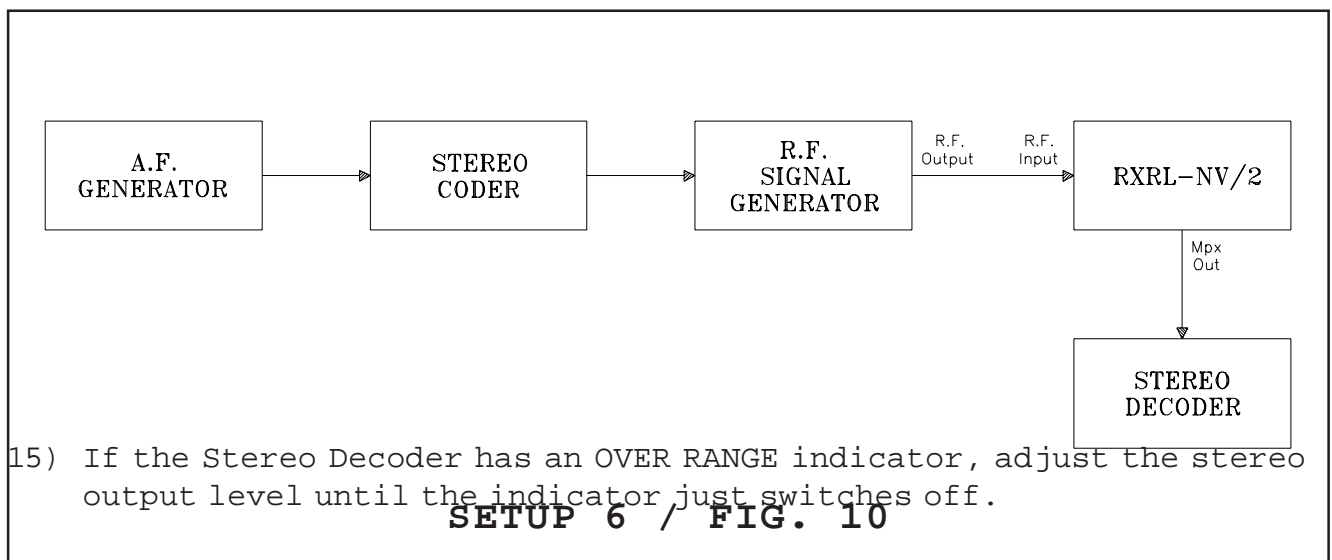
11) Insert the 15 KHz low-pass filter (7 Fig.1).

SETUP 5 / FIG. 9

12) Adjust R18 to obtain a signal level of +13 dBm.

13) Disable the 15 KHz low-pass filter and adjust R15 for a signal level of +13dBm.

14) Configure the unit as detailed in SETUP6 (Fig.10) to measure stereo separation.



15) If the Stereo Decoder has an OVER RANGE indicator, adjust the stereo output level until the indicator just switches off.

SETUP 6 / FIG. 10

16) Inject a carrier at the receiver's operating frequency, modulated by a 10KHz tone with a deviation of ±100 KHz.

17) Check that the stereo separation reading is around 40-45 dB for both channels.

If this is not the case, adjust R80 and R65 ensuring that the stereo separation is balanced for both channels (±2 or 3 dB between L/R

and R/L) .

18) Inject a carrier at the receiver's operating frequency, modulated by a 400 Hz tone with a deviation of ± 100 KHz.

19) If necessary, adjust R71 to improve the stereo separation, using the procedure described in step 16.

20) Inject a modulation signal with a frequency from 40Hz to 15KHz and verify that the stereo separation is always greater than 40dB.

5.7 CALIBRATION OF THE CPU

After replacement, check that the displays function and that operating frequencies can be programmed using the UP (14 Fig.1), DOWN (12 Fig.1) and ENTER (13 Fig.1) buttons.

Check correct operation of the RS232 serial port (if fitted).

No other checks are required.

5.8 CALIBRATION OF THE ANAMETER CARD

For each of the selector positions adjust the corresponding trimmer for the values listed below:

READING	VALUE	FSD	TRIMMER	NOTE
+15V	15V	30V	R18	
+5V	5V	30V	R17	
EXT 24V (OPT) 24V	24V	30V	R22	
SIGNAL	1mV	1mV	R21	
CENTER	BLACK MARK		R16	1
SCA			R15	2
MONO			R19	3
MPX			R20	4

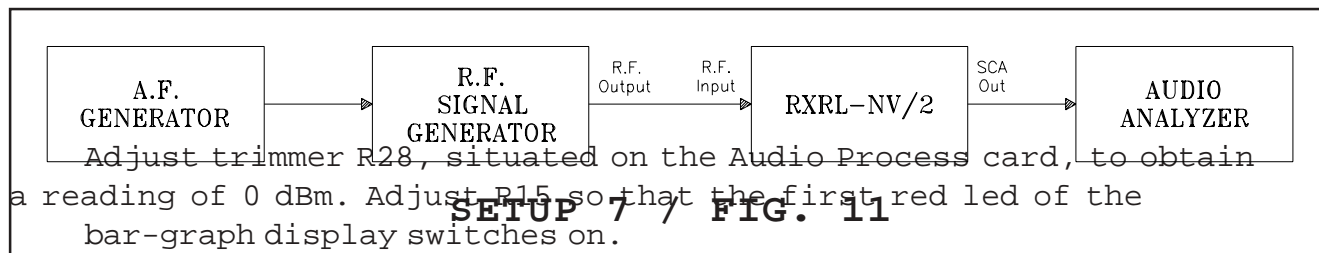
NOTE:

1) The reading is valid at the half-way point on the horizontal black mark on the meter scale.

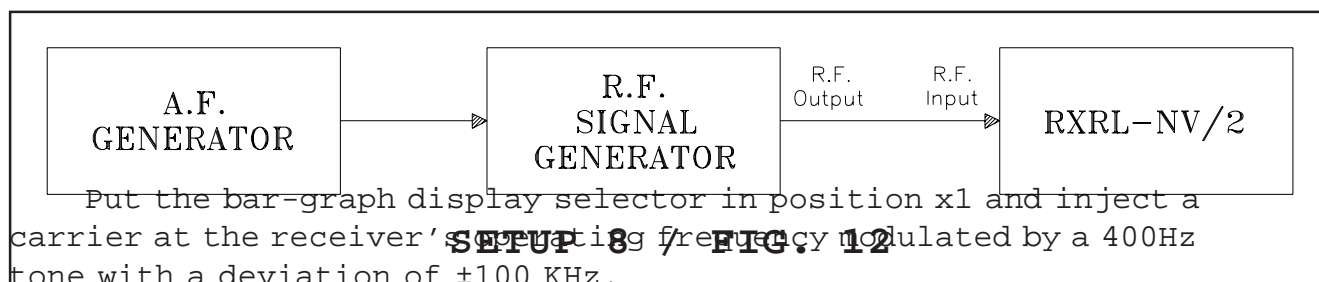
2) If the receiver does not have a dedicated SCA output, it is not possible to measure the SCA level on the Modmeter.

If present however, inject a 67-70 KHz signal with a deviation of 10KHz, select SCA measurement with the front panel selector and select x10 with the Modmeter selector.

Configure the unit as detailed in SETUP 7 (Fig.11).



3) Configure the unit as detailed in SETUP8 (Fig.12).



Check that the first red led switches on and if not, adjust R19 accordingly.

4) Repeat the procedure detailed in note 3 to measure the MPX signal. Carry out all the calibration procedures for the various parameters and select a measurement other than SCA, MONO or MPX.

Select x10 on the Modmeter and inject a carrier at the receiver's operating frequency, modulated by a 400Hz tone with ± 10 KHz deviation and re-check that the first red led of the bar-graph display is switched on.

Adjust R4 if necessary.

5.9 CALIBRATION OF THE MODMETER CARD

For this procedure please refer to SETUP8 (Fig. 12).

- 1) Inject a carrier at the receiver's operating frequency, modulated by a 400Hz tone with 100KHz deviation.
- 2) Set the switch to the "x1" position.
- 3) Adjust trimmer R30, situated on the Modmeter card, so that the first red led switches on (corresponding to the 100% mark).
- 4) Set the switch to the "x10" position.
- 5) Inject a carrier at the receiver's operating frequency, modulated by a 400Hz tone with ± 10 KHz deviation.
- 6) Adjust trimmer R4, situated on the Modmeter card, so that the first

red led switches on (corresponding to the 100% mark).

5.10 CALIBRATION OF THE POWER SUPPLY

This module does not require calibration.

5.11 CALIBRATION OF THE VCO

To calibrate the VCO, carry out the following procedure:

- 1) Connect the positive probe of a voltmeter to the glass capacitor P2 (connected to the varicap) and the negative probe to ground.
- 2) Check that at both limits of the operating frequency band (defined by the EPROM), the voltage reading lies between 3.5 and 10.3V.
The higher frequency should correspond to the higher voltage and vice versa.
- 3) If the voltages in step 2. cannot be verified i.e. the PLL is not locked, the soldered joint, connecting the SL strip-line to ground, should be moved (the other end of the strip-line is connected to the cathode of the varicap via capacitor CX).
- 4) If the calibration procedure is being carried out after a change of frequency, capacitor CX and impedance L4, situated on the VCO card, will also have to be changed according to Table D.

TABLE D

FREQUENCY RANGE	CX VALUE	L4 VALUE
1400-1700 MHz	3.3-5.6 pF	2.2 μH
1700-2600 MHz	3.3-5.6 pF	0.22 μH

5.12 CALIBRATION OF THE DOUBLER

This module does not require calibration. In the event of replacement, new modules are supplied factory-calibrated.

SECTION 6

ALIGNMENT OF THE RADIO LINK

6.1 INTRODUCTION

This chapter details the alignment procedure for the PTRL-NV/2 (or PTRL-NV/2/HP) transmitter and the RXRL-NV/2 receiver.

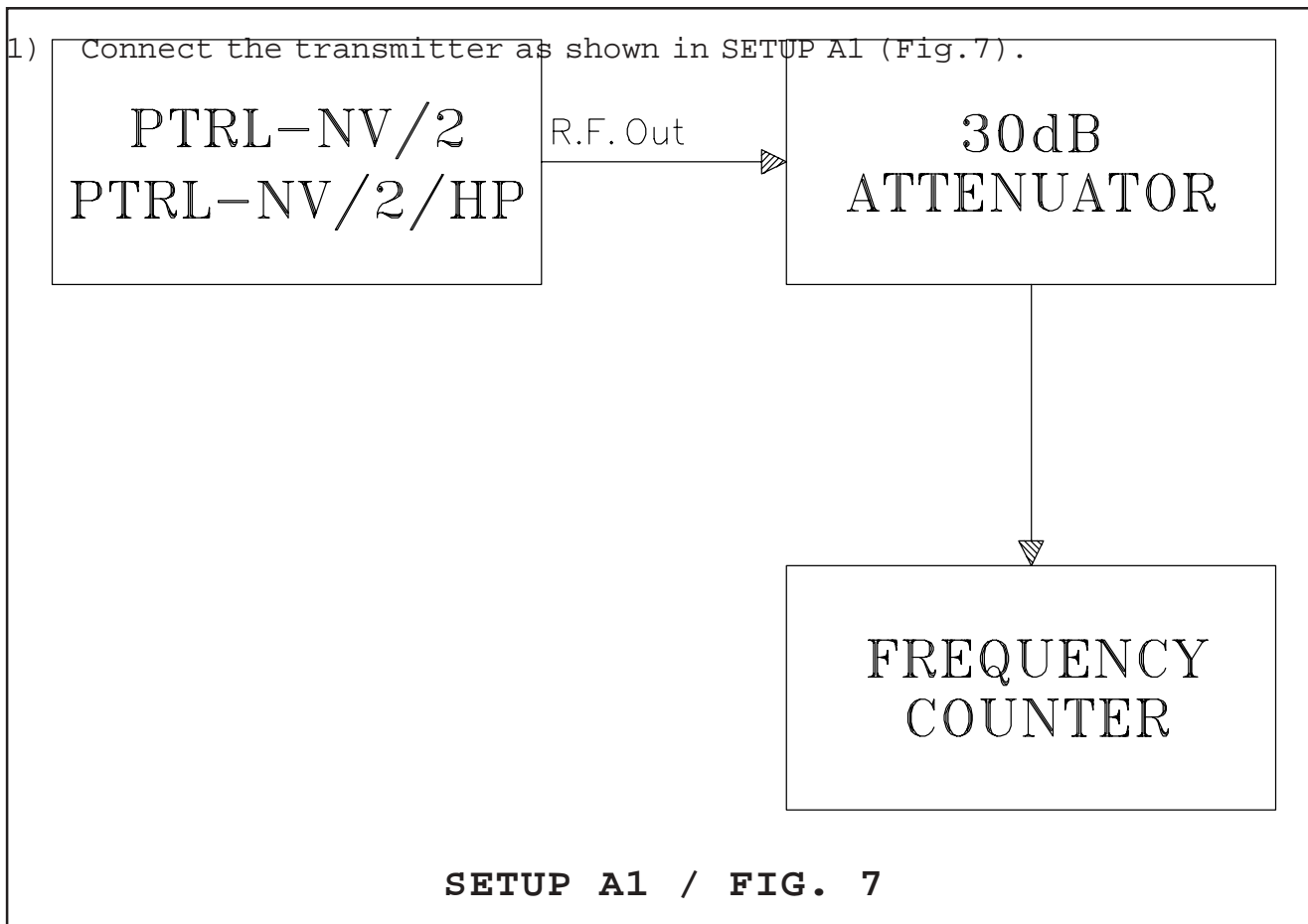
6.2 FREQUENCY ALIGNMENT

The operating frequency of the complete radio link (TX+RX) is set using a frequency meter to measure the frequency output by the transmitter and the frequency after the second conversion of the receiver.

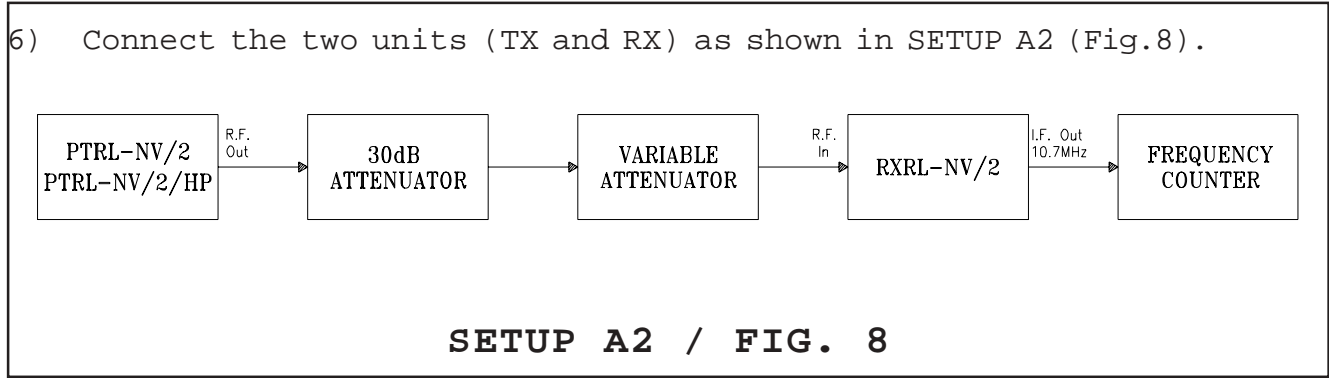
It is recommended to align both units (TX and RX) at the same time and with the same frequency meter, preferably one of high precision (eg. $\pm 0.2\text{ppm}$).

A difference of >2 KHz between the transmitter's center frequency and that of the receiver (measured at the intermediate frequency of 10.7MHz) will result in degradation of audio quality and stereo separation.

To perform this alignment, carry out the following procedure (SETUP A1 and A2):



- 2) Switch on the transmitter and wait until it has locked to its operating frequency i.e. the UNLOCK light goes out.
- 3) Connect a 30dB attenuator between the R.F. Output and 50 Ohm and Frequency Counter.
- 4) Use the meter selector to select direct power measurement, FWD. Check that maximum output power.
- 5) Using the frequency meter, check the output frequency of the transmitter and adjust as necessary with capacitors C68 and C69 situated on the Main card.



7) Adjust the variable attenuator for a value dependent from the transmitter's output power (Table *TABLE E*)

POWER OUTPUT	ATTENUATION	30dB ATTENUATOR	VALUE OF VARIABLE ATTENUATOR
1W	83 dB	30 dB	53 dB
2W	86 dB	30 dB	56 dB
5W	90 dB	30 dB	60 dB

Note : The attenuation values, above mentioned, are used to obtain a -53dBm signal on the receiver's R.F. Input

8) Connect the counter to the IF 10.7MHz output and check that the frequency corresponds to this value, adjusting as necessary with capacitors C27 and C28 situated on the Synthesizer card for a frequency of 10.700MHz ±2KHz.

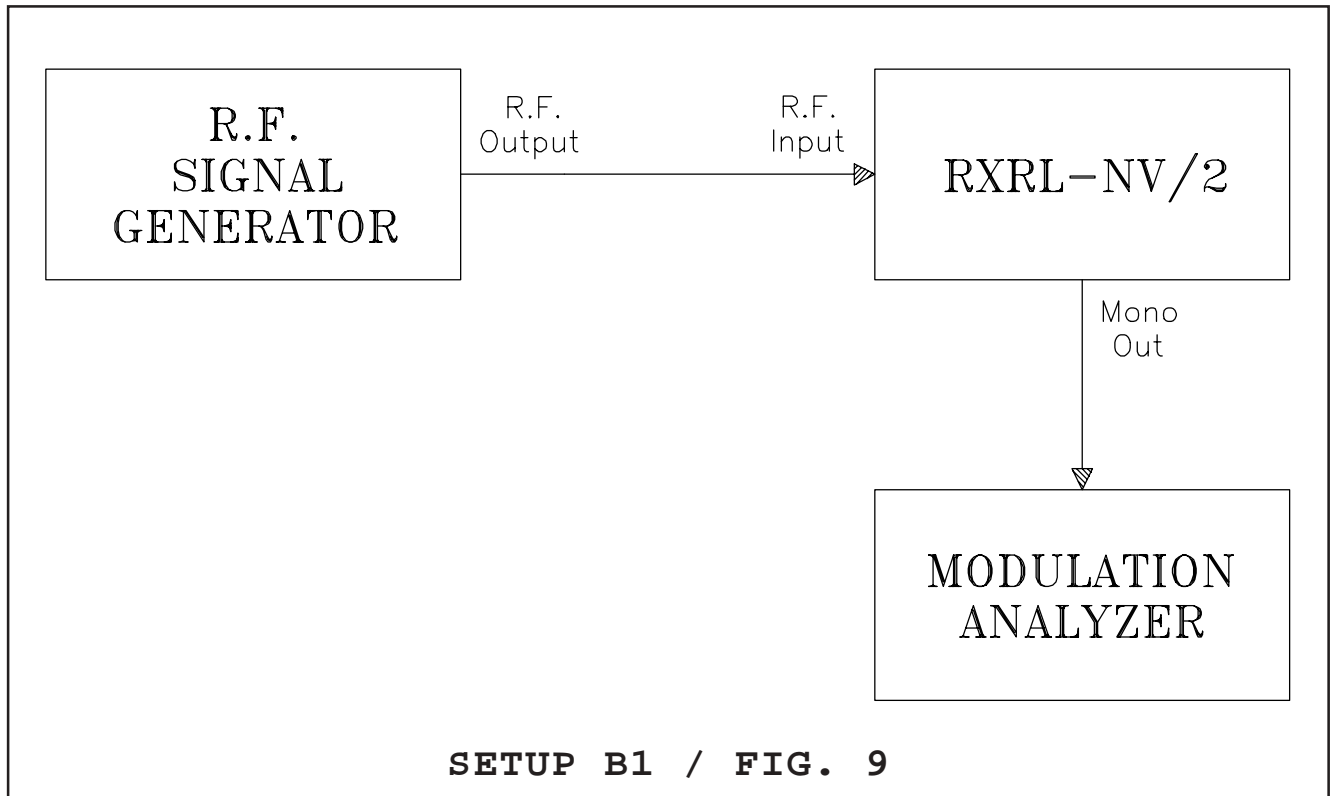
6.3 MEASUREMENT OF RECEIVER S/N RATIO

The mono S/N (signal to noise) ratio is measured at the output of the receiver by feeding it with a 400Hz modulating signal (±100KHz deviation) and comparing the output with the same output, under the same conditions, in the absence of the modulating signal, across the 30Hz/20KHz band.

In the case of stereo modulation, the S/N ratio will be measured on single channels (left and right) decoded and de-emphasized.

Both mono and stereo measurements should be taken having configured the unit according to SETUP B1 and B2 and carrying out the following procedure:

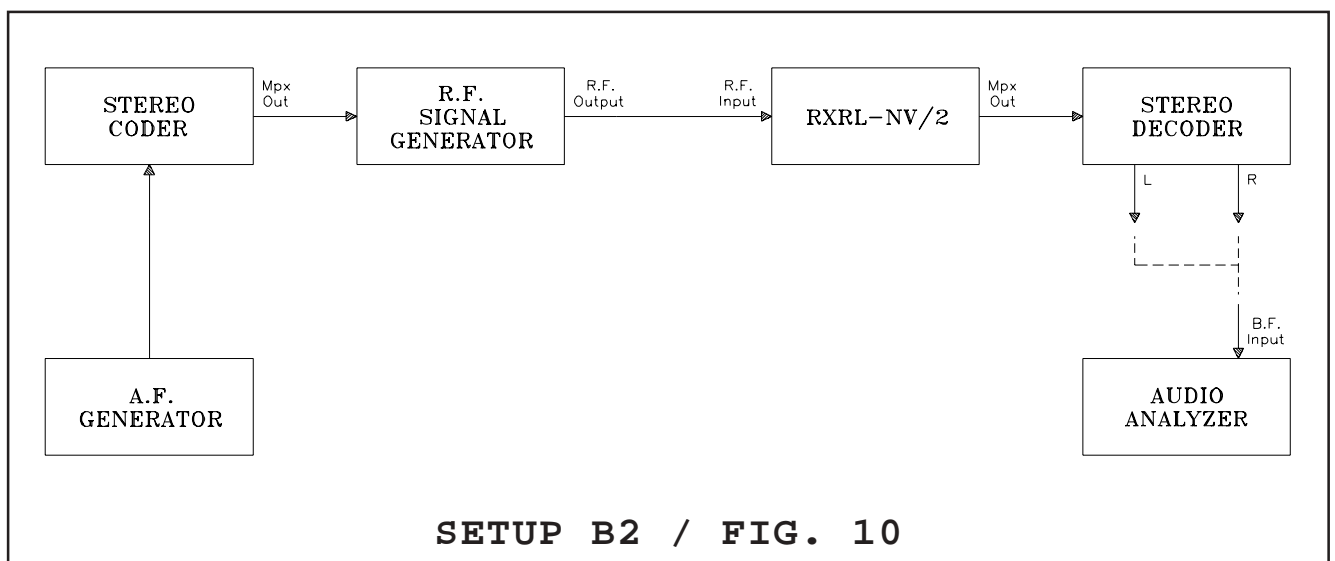
1) Connect the instruments as shown in SETUP B1 (Fig.9) to make the MONO measurement.



2) Generate an R.F. carrier at operating frequency and -67dBm; modulate the carrier with a 400Hz tone with a ± 100 KHz deviation. Inject the resultant R.F. signal into the receiver input.

3) Using the "FAM" modulation analyzer, check that the S/N ratio of the RXRL-NV/2 receiver is better than 65dB, referred to a deviation of ± 100 KHz.

4) Connect the instruments as shown in SETUP B2 (Fig.10) to make the STEREO measurement.



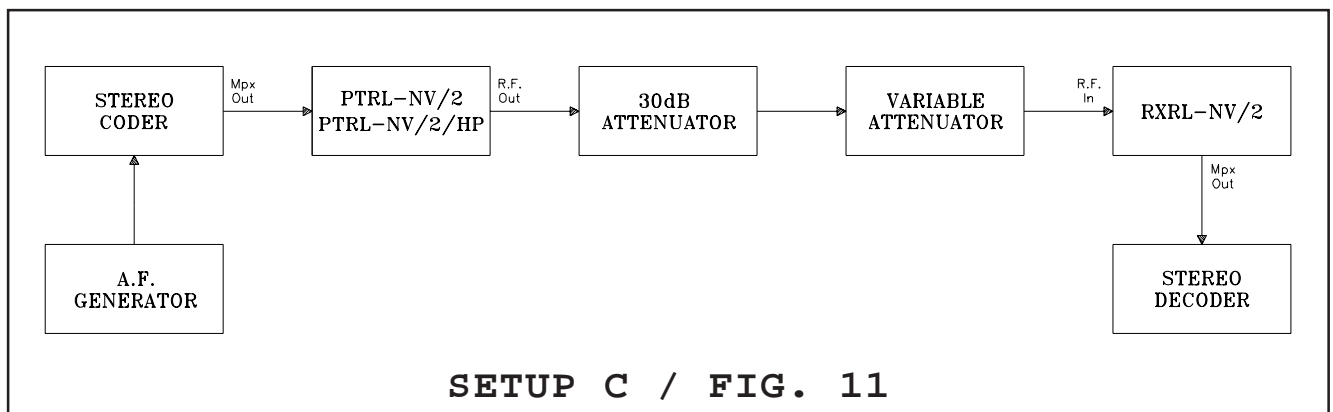
5) Adjust the signal generator output for a level of 1mV (the carrier and deviation will remain constant).

6) Use the modulation analyzer to make the S/N measurement and check that the figure is better than 60dB (measured on each demodulated and de-emphasize single channel) for the RXRL-NV/2 receiver.

6.4 STEREO SEPARATION

Stereo separation is measured using a stereo coder, a stereo demodulator and an audio analyzer. The figure is obtained from the ratio of the left and right channel outputs with only the left (or only right) channel modulated, for frequencies between 30Hz and 15KHz.

To make this measurement, configure the unit according to SETUP C (Fig.11) and carry out the following procedure:



1) Adjust the variable attenuator for a value dependent from the transmitter's output power (Table E).

POWER OUTPUT	ATTENUATION	30dB ATTENUATOR	VALUE OF VARIABLE ATTENUATOR
1W	83 dB	30 dB	53 dB
2W	86 dB	30 dB	56 dB
5W	90 dB	30 dB	60 dB

Note : The attenuation values, above mentioned, are used to obtain a -53dBm signal on the receiver's R.F. Input

2) Adjust the audio generator for an output level of -10dBm at the right input (and subsequently the left) of the stereo coder.

3) Check that the reading from the output of the stereo decoder is better or equal to 40dB (both at 40Hz and 15KHz).

4) Repeat the operation for both channels with a modulating tone of 400Hz and 10KHz. The maximum difference should be ±3dB.

6.5 CHANGING FREQUENCY

There are two different procedures for changing frequency, depending on the new frequency to be selected:

CASE A - Should the new frequency fall within the range of receiver's R.F. Power Amplifier Stage (and relative receiver's Front-End/Mixer)

CASE B - Should the new frequency fall outside the range of receiver's R.F. Power Amplifier Stage (and relative receiver's Front-End/Mixer)

CASE A

Should the new frequency fall within the range of receiver's R.F. Power Amplifier Stage (and relative receiver's Front-End/Mixer), the following procedure should be carried out:

TRANSMITTER

1) Select the new frequency with the UP and DOWN buttons and confirm it with the ENTER key.

RECEIVER

1) Select the new frequency with the UP (14 Fig.1) and DOWN (12 Fig.1) buttons and confirm it with the ENTER (13 Fig.1) key.

2) Select the SIGNAL measurement using the selector of analogic meter and confirmed by the corresponding green led.

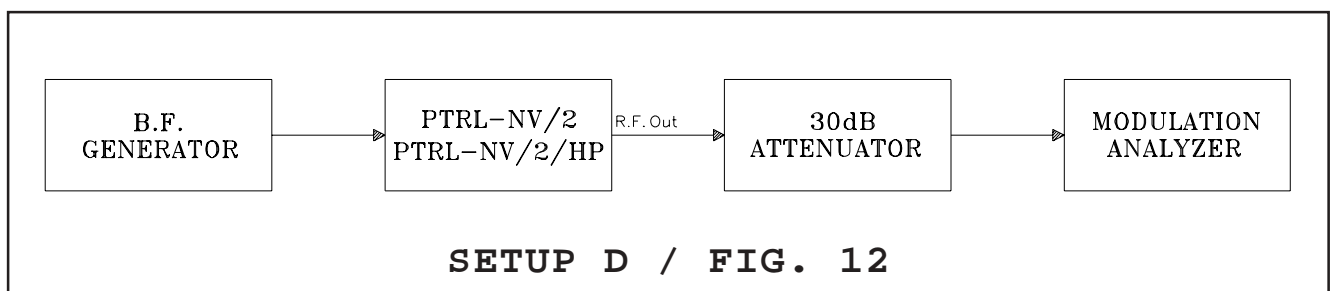
3) Calibrate the R.F. Cavity, situated on the receiver, for the maximum R.F. signal, checking against the corresponding reading on the receiver's meter (maximum R.F. signal displayable = -47dBm).

CASE B

Should the new frequency fall outside the range of receiver's R.F. Power Amplifier Stage (and relative receiver's Front-End/Mixer), it's necessary that this procedure should only be carried out by factory, in that errors can cause serious damage to equipment and will automatically nullify the warranty.

6.7 TRANSMITTER AUDIO DEVIATION AND DISTORTION FIGURES

To make this measurement, configure the unit according to SETUP D (Fig.12) and carry out the following procedure:



1) Adjust the signal generator for a signal level of -10dBm (0dBm for American versions) at the MONO and STEREO inputs.

- 2) Configure the modulation analyzer to read deviation.
- 3) Check that the deviation reading for the PTRL-NV/2 (PTRL-NV/2/HP) is 100KHz and if not, adjust trimmer R8 (inside the VCO) to obtain it.
(Do this step for both MONO and STEREO inputs).
- 4) Configure the audio analyzer to read distortion (with 50 μ S de-emphasis for European version and 75 μ S for American version).
- 5) Check that the distortion figure is better than 0.1% with low-pass and high-pass filters of 20KHz and 30Hz respectively, for both MONO and STEREO inputs.

INDICE

Istruzioni Preliminari ed Informazioni di Garanzia Pag. 49

Regole di Sicurezza Pag. 51

CAPITOLO 1

Descrizione Generale Pag. 54

Specifiche Elettriche (Tabella A) Pag. 56

Specifiche Dimensionali e Ambientali (Tabella B) Pag. 57

CAPITOLO 2

Descrizione Elettrica Pag. 58

Descrizione della Vista del Pannello Frontale Pag. 62

Vista Pannello Frontale (Fig.1) Pag. 64

Descrizione della Vista del Pannello Posteriore Pag. 65

Vista Pannello Posteriore (Fig.2) Pag. 66

Descrizione della Vista dall'Alto Pag. 67

Vista dall'Alto (Fig.3) Pag. 68

Diagramma a Blocchi (Fig.4) Pag. 69

CAPITOLO 3

Procedure d'Installazione Pag. 70

Strumentazione Consigliata per i Test (Tabella C) Pag. 73

CAPITOLO 4

Operazioni di Manutenzione Pag. 74

CAPITOLO 5

Procedure per la Taratura Pag. 79

CAPITOLO 6

Allineamento del Ponte Radio Pag. 86

APPENDICE A

Circuiti Elettrici, Liste Componenti e Piani di Montaggio Pag. 92

Connessioni delle Schede del RXRL-NV/2 Pag. 93

Power Supply Pag. 94

Muting Card Pag. 98

<i>C.P.U.</i>	<i>Pag. 102</i>
<i>Modmeter Card</i>	<i>Pag. 111</i>
<i>Anameter Card</i>	<i>Pag. 116</i>
<i>Audio Process Card</i>	<i>Pag. 124</i>
<i>P.L.L. Card</i>	<i>Pag. 130</i>
<i>V.C.O.</i>	<i>Pag. 135</i>
<i>I.F. 70MHz Card (I.F. 10.7MHz)</i>	<i>Pag. 140</i>
<i>Front-End e Mixer</i>	<i>Pag. 146</i>
<i>Doubler</i>	<i>Pag. 151</i>
<i>Inverter Card (Optional)</i>	<i>Pag. 155</i>
<i>U.S.A. Audio Input Card (Optional)</i>	<i>Pag. 159</i>
<i>Mono-Balanced Card (Optional)</i>	<i>Pag. 163</i>
<i>Stereo Decoder Card (Optional)</i>	<i>Pag. 167</i>

ISTRUZIONI PRELIMINARI E INFORMAZIONI DI GARANZIA

Si prega di osservare le necessarie precauzioni di sicurezza quando si usa questa apparecchiatura.

Questa macchina presenta al suo interno correnti pericolose e alte tensioni.

Questo manuale è stato concepito per fornire una guida generale per coloro che hanno necessità di avere una conoscenza preliminare di questo tipo di macchina. Esso non intende quindi fornire una guida completa di tutte le regole di sicurezza che dovrebbero essere osservate dal personale durante l'uso di questa o altre apparecchiature elettroniche.

R.V.R. non assume la responsabilità per lesioni o danni causati da procedure errate o da un uso improprio da parte di personale non addestrato o non qualificato all'uso di questa unità.

Si prega di osservare le norme locali e regole antincendio durante l'uso di questa macchina.

ATTENZIONE: disconnettere sempre l'alimentazione prima di aprire coperchi o rimuovere qualsiasi parte di questa apparecchiatura. Usare appropriate procedure di messa a terra per scaricare i condensatori e i punti di alta tensione prima di qualsiasi manutenzione.

Qualsiasi danno all'apparecchiatura causato dal trasporto deve essere segnalato al corriere e scritto sulla ricevuta di spedizione. Qualsiasi differenza o danno scoperto dopo la consegna, dovrà essere riferito all'R.V.R. entro cinque (5) giorni dalla consegna.

R.V.R. estende al cliente utente finale tutte le garanzie originali di fabbricazione che sono trasferibili e tutti i reclami devono essere fatti direttamente all'R.V.R. secondo procedure prestabilite.

Tutte le garanzie di fabbricazione saranno trattenute dall'R.V.R. per assicurare un'assistenza precisa e veloce dove possibile.

R.V.R. non sarà responsabile per qualsiasi danno di qualsiasi natura, a causa o in relazione all'uso del prodotto.

La garanzia R.V.R. non include:

- 1) Spedizione della macchina all'R.V.R. per la riparazione
- 2) Qualsiasi modifica o riparazione non autorizzata
- 3) Danni incidentali/causati non dovuti a difetti della macchina
- 4) Difetti nominali non incidentali
- 5) Costi di spedizione o di assicurazione della macchina o sostituzione di parti o unità

La garanzia entrerà in vigore dalla data di fattura per il periodo di garanzia di costruzione.

Per reclamare i propri diritti con questa garanzia:

- a.** Contattare il rivenditore o il distributore dove avete acquistato la macchina. Descrivere il problema e chiedere se è in grado di fornirvi una facile soluzione. Rivenditori e Distributori sono in grado di fornire tutte le informazioni relative ai problemi che possono presentarsi e normalmente possono riparare la macchina più velocemente di quello che potrebbe fare la casa costruttrice. Molto spesso errori di installazione vengono scoperti dai rivenditori.
- b.** Se il vostro rivenditore non può aiutarvi, contattare l'R.V.R. in Bologna e esporre il problema. Se viene stabilito di rispedire la macchina alla fabbrica, l'R.V.R. vi spedisce una regolare autorizzazione con tutte le necessarie istruzioni per la restituzione della merce.
- c.** Quando avete ricevuto l'autorizzazione, potete restituire la macchina. Imballarla con molta attenzione per la spedizione, preferibilmente usando l'imballo originale e sigillare l'imballo perfettamente. Il cliente assume sempre il rischio di perdita (es., l'R.V.R. non è mai responsabile per danni o perdita), finché l'imballo non raggiunge la sede dell'R.V.R.. Per questo motivo, vi consigliamo di assicurare la merce per il valore intero. La spedizione deve essere effettuata C.I.F. (PREPAID) all'indirizzo specificato dall'R.V.R. sull'autorizzazione.

NON RESTITUIRE LA MACCHINA SENZA LA NOSTRA AUTORIZZAZIONE IN QUANTO POTREBBE ESSERE RIFIUTATA.

Assicurarsi di allegare una diagnosi tecnica scritta dove sono elencati tutti i problemi riscontrati e una copia della vostra fattura originale che mostra la data di decorrenza della garanzia.

La sostituzione di parti in garanzia può essere richiesta al seguente indirizzo. Assicurarsi di allegare il modello della macchina e il numero di serie come pure la descrizione della parte e il suo numero di codice.

R.V.R. Elettronica S.r.l. - Broadcasting Equipment

-

**Via del Fonditore, 2/2c
40138 Bologna - Italy**

La società R.V.R. si riserva il diritto di apportare modifiche al progetto e alle specifiche della macchina in questo manuale senza alcun preavviso.

ATTENZIONE!

Le correnti e le tensioni presenti in questo dispositivo sono pericolose, il personale deve osservare sempre le norme di sicurezza.

Questo manuale rappresenta una guida generale per il personale addestrato e qualificato che è consapevole dei pericoli inerenti al trattamento potenzialmente rischioso dei circuiti elettrici ed elettronici.

Esso non si propone di contenere una relazione completa di tutte le precauzioni di sicurezza che devono essere osservate dal personale che utilizza questo o altri dispositivi.

L'installazione, il funzionamento, la manutenzione e l'impiego di questo dispositivo implica rischi sia per il personale che per il dispositivo stesso, il quale deve essere utilizzato solo da personale qualificato esercitando la dovuta attenzione.

La società **R.V.R. ELETTRONICA s.r.l.** non sarà responsabile per lesioni o danni risultanti da procedure improprie o dall'uso di personale inesperto o non correttamente addestrato all'adempimento di tali mansioni.

Durante l'installazione e il funzionamento di questo dispositivo, devono essere osservate le regole antincendio e i codici di costruzione locali.

ATTENZIONE!

Disconnettere sempre l'alimentazione prima di aprire i coperchi, i pannelli o le protezioni. Usare sempre strumenti isolati prima dell'utilizzo. Non eseguire mai regolazioni interne, operazioni di manutenzione o di servizio quando si è soli o quando si è stanchi.

Non rimuovere cortocircuiti o blocchi con interruttori interbloccanti su coperchi d'accesso, chiusure, pannelli e protezioni.

Tenersi lontano dai circuiti sotto tensione, imparare a conoscere il dispositivo e non prendere rischi.

ATTENZIONE!

In caso di emergenza assicurarsi che l'alimentazione sia stata disconnessa.

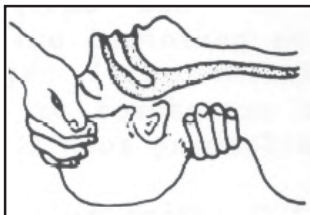
Trattamento degli shock elettrici

1) Se la vittima ha perso conoscenza seguire i principi di primo soccorso riportati nei punti A-B-C.

POSIZIONARE LA VITTIMA SDRAIATA SULLA SCHIENA SU UNA SUPERFICIE RIGIDA

A VIE AEREE

SE NON COSCIENTE,
APRIRE LE VIE AEREE



SOLLEVARE IL COLLO
SPINGERE INDIETRO LA FRONTE
APRIRE LA BOCCA SE NECESSARIO
CONTROLLARE LA RESPIRAZIONE

B RESPIRAZIONE

SE NON RESPIRA,
INIZIARE LA RESPIRAZIONE
ARTIFICIALE



INCLINARE LA TESTA
CHIUDERE LE NARICI
FARE ADERIRE LA BOCCA A
QUELLA DELLA VITTIMA
PRATICARE 4 RESPIRAZIONI
VELOCI
RICORDARSI DI INIZIARE
IMMEDIATAMENTE LA

RESPIRAZIONE

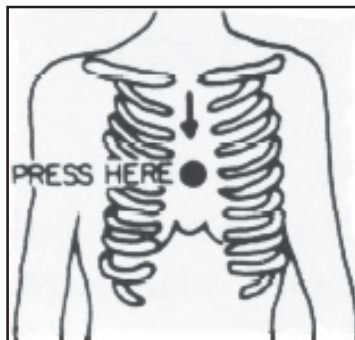
C CIRCOLAZIONE

CONTROLLARE IL BATTITO CARDIACO

COMPRIERE LO STERNO DA 1 1/2" A 2"

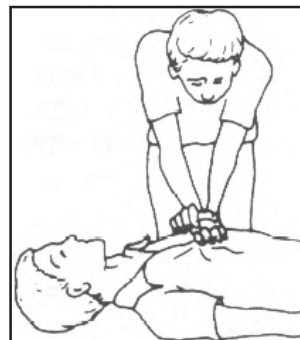


IN ASSENZA DI BATTITO,
INIZIARE IL MASSAGGIO
CARDIACO



APPROS. 80 SEC. : 1 SOCCORRITORE, 15 COMPRESSIONI,
2 RESPIRAZIONI VELOCI.

APPROS. 60 SEC. : 2 SOCCORRITORI, 5 COMPRESSIONI,
1 RESPIRAZIONE.



N.B. : NON INTERROMPERE IL RITMO DI COMPRESIONE QUANDO LA SECONDA PERSONA STA ESEGUENDO LA RESPIRAZIONE ARTIFICIALE.

Chiamare un medico il prima possibile.

2) Se la vittima è cosciente:

- a. Coprire la vittima con una coperta.
- b. Tranquillizzare la vittima.
- c. Slacciare gli abiti (sistemare la vittima in posizione coricata).

PRIMO SOCCORSO

Il personale impegnato nell'installazione, nel funzionamento, nella manutenzione o assistenza di questo dispositivo ha la necessità di avere familiarità con la teoria e le pratiche di primo soccorso.

La relazione seguente non rappresenta una guida completa delle procedure di primo soccorso, ma è solo un riassunto che deve essere usato come riferimento. E' compito di tutto il personale che usa questo dispositivo essere pronto a prestare un adeguato soccorso e perciò prevenire evitabili decessi.

TRATTAMENTO DELLE USTIONI ELETTRICHE

- 1) Vaste ustioni e tagli della pelle.
 - a. Coprire l'area con un lenzuolo o un panno pulito.
 - b. Non rompere le vesciche, rimuovere il tessuto, rimuovere le particelle di vestito che si sono attaccate alla pelle, applicare una pomata adatta.
 - c. Trattare la vittima come richiede il tipo di shock.
 - d. Trasportare la vittima in ospedale il più velocemente possibile.
 - e. Se braccia o gambe sono state colpite, tenerle sollevate.

NOTA BENE

Se l'aiuto medico non è disponibile prima di un'ora e la vittima è cosciente e non ha sforzi di vomito, somministrargli una soluzione liquida di sale e soda: 1 cucchiaino pieno di sale e mezzo cucchiaino di bicarbonato di sodio ogni 250 ml d'acqua (ne' caldo ne' freddo).

Permettere alla vittima di sorseggiare lentamente per circa 4 volte (1/2 bicchiere) per un periodo di 15 minuti.

Interrompere se si verificano sforzi di vomito. (Non dare alcool).

- 2) Ustioni meno gravi (1° e 2° grado).
 - a. Applicare compresse di garza fredde (non ghiacciate) usando un panno il più possibile pulito.
 - b. Non rompere le vesciche, rimuovere il tessuto, rimuovere le particelle di vestito che si sono attaccate alla pelle, applicare una pomata adatta.
 - c. Mettere se necessario abiti puliti e asciutti.
 - d. Trattare la vittima come richiede il tipo di shock.
 - e. ~~Trasportare la vittima all'ospedale il più velocemente possibile.~~
- F.V. Se braccia o gambe sono state colpite, tenerle sollevate. ⁵³

CAPITOLO 1

DESCRIZIONE GENERALE

1.1 DESCRIZIONE ESTERNA

Il ricevitore RXRL-NV/2 è stato realizzato in un contenitore rack 19" 2U, internamente assemblato con moduli montati e fissati sul fondo della macchina. Ciò consente una facile rimozione e sostituzione dei moduli stessi.

Nel pannello frontale sono i connettori d'uscita audio con le relative regolazioni del livello d'uscita (Mono e MPX) e i misuratori dei parametri fondamentali di funzionamento.

Sul pannello posteriore si trovano i connettori d'ingresso rete, l'ingresso RF e l'uscita monitoria della seconda I.F.

1.2 DESCRIZIONE ELETTRICA

Il ricevitore RXRL-NV/2 è un ricevitore FM Broadband ad alta fedeltà con una distorsione armonica inferiore al 0.3%.

Questo ricevitore è sintetizzato con steps di 100KHz in banda 1400-2600MHz controllato da un microprocessore.

Inoltre è presente un filtro passa-basso a 15KHz inseribile sull'uscita MPX (nella Mono è sempre inserito).

1.3 MISURATORI E INDICATORI

I parametri di funzionamento del ricevitore sono verificabili tramite il multimetro analogico (21 Fig.1) e il display a barra di led (18 Fig.1) presenti sul pannello frontale. Le misure effettuate con il multimetro analogico sono identificate dall'indicatore a led (8 Fig.1) e selezionabili tramite il relativo comando (20 Fig.1).

Tramite il display a barra di led (18 Fig.1) è possibile leggere il picco di deviazione in steps di 6,6KHz.

Il display centrale (22 Fig.1) a cinque cifre indica la frequenza di lavoro selezionabile tramite i comandi Up (14 Fig.1) e Down (12 Fig.1) e memorizzabile con il comando Enter (13 Fig.1).

Sono presenti tre led che indicano l'aggancio del VCO (10 Fig.1), la presenza di un segnale stereo (9 Fig.1) e la presenza di un segnale SCA (11 Fig.1) in ricezione (i led 9 e 11 Fig.1 sono funzionanti solo quando è inserito il decoder interno opzionale).

1.4 CONTROLLO REMOTO DI FREQUENZA (OPZIONALE)

È possibile equipaggiarlo con una porta seriale RS232 (opzionale) in modo da poter variare la frequenza di lavoro ed effettuare il silenziamento audio a distanza.

1.5 SPECIFICHE DELL'APPARATO

Fare riferimento alla Tabella (a) per le caratteristiche elettriche e alla Tabella (B) per quelle dimensionali e ambientali.

TABELLA A

SPECIFICHE ELETTRICHE

Alimentazione A.C.	100, 120, 220 e 240 V, $\pm 10\%$ 50-60 Hz, singola fase 22W 24Vdc opzionale
Raffreddamento	Ventilazione forzata
Frequenza di lavoro	da 1400 a 2600 MHz in sotto-bande di 50MHz
Sensibilità	MPX: 1mV 60dB SNR (Misurata Singolo Canale) Mono: 100 μ V 65dB SNR
Selettività	± 100 KHz a -3dB ± 350 KHz a -70dB
Distorsione armonica totale	<0,3%
Separazione Stereo	45dB, da 40Hz a 15KHz
Uscite Audio	MPX: +13dBm, 600 Ohm sbil. Mono: +13dBm, 600 Ohm sbil.

TABELLA B

SPECIFICHE DIMENSIONALI E AMBIENTALI

<i>Dimensioni del rack</i>	82mm (3,22") H 326mm (12,83") D 445mm (17,51") W
<i>Dimensioni del pannello</i>	483mm (19") W 88mm (3,47") H
<i>Temperatura di lavoro</i>	da -10°C a +50°C
<i>Umidità</i>	Massimo 95%, senza condensa
<i>Peso</i>	10Kg

CAPITOLO 2

DESCRIZIONE ELETTRICA

2.1 INTRODUZIONE

Questa sezione descrive in maniera complessiva la teoria di funzionamento del RXRL-NV/2.

Per comodità descrittiva, l'apparato è stato suddiviso in sottoinsiemi che saranno discussi in maniera approfondita di seguito.

Il diagramma a blocchi è rappresentato in Fig.4.

2.2 POWER SUPPLY

Questo circuito è costituito da una scheda fissata sulla destra del fondo dell'apparecchiatura (7 Fig.3).

L'alimentatore del RXRL-NV/2 è predisposto per funzionare con una tensione di alimentazione di 100V, 120V, 220V e 240V $\pm 10\%$ (24Vdc opzionale), 50-60Hz. L'alimentatore fornisce le tensioni stabilizzate necessarie al funzionamento dei vari moduli che compongono l'RXRL-NV/2.

La tensione di rete dopo un filtraggio "EMI" viene trasformata in valori più bassi, che rettificati e filtrati vengono stabilizzati in: +5V, +15V, -15V. I +5V alimentano la scheda della CPU e il PLL, mentre i +15V e i -15V alimentano la Modmeter card, la CPU, l'Anameter card 1 e 2, il Front-End/Mixer, la Audio Process card, la IF 70MHz card, il PLL, la Muting card e il doubler.

I valori di tensioni interne di funzionamento sono disponibili sul multimetro analogico.

2.3 CPU

La CPU è racchiusa in un contenitore metallico e fissato sulla destra del pannello anteriore (4 Fig.3).

Questo circuito converte il numero corrispondente alla frequenza selezionata in codice binario che viene inviato ai divisori programmabili del PLL, per permettere l'aggancio del VCO alla frequenza voluta.

Attraverso una porta seriale RS232 (opzionale) si rende possibile un controllo remoto di alcuni parametri del ricevitore.

In caso di mancanza di alimentazione, una memoria non volatile mantiene l'ultima frequenza impostata a tempo indefinito.

2.4 MODMETER CARD

Questa scheda è fissata sul lato sinistro del pannello frontale (1 Fig.3).

Il circuito provvede alla visualizzazione della deviazione in frequenza del segnale ricevuto dalla Audio Process card (Mono, MPX o SCA).

Sono presenti due connettori audio BNC d'uscita, uno per il segnale MONO e

uno per il segnale MPX.

Un interruttore permette di selezionare il guadagno del misuratore a due livelli (10% e 100%) per ottenere una misura più precisa per bassi livelli di deviazione (es. SCA, RDS, toni pilota).

Un altro interruttore seleziona la visualizzazione in modo Barra o Punto. La visualizzazione viene effettuata tramite 14 led verdi e 6 led rossi, ottenendo nella scala al 100%, 130KHz a fondo scala (100KHz al primo led rosso) equivalente 6.6KHz/led e nella scala al 10% 0.66KHz/led.

2.5 ANAMETER CARD

Il circuito è costituito da due schede e uno strumento di misura fissati sulla parte centrale del pannello anteriore (3 Fig.3).

Questo circuito provvede alla visualizzazione dei parametri di funzionamento del ricevitore: tensioni interne, CENTER (centratura del segnale) e SIGNAL (ampiezza del segnale). Queste misure vengono selezionate tramite un comando a levetta (20 Fig.1) e indicate dalla dicitura a fianco del led verde acceso (8 Fig.1): lo stesso comando permette di commutare la lettura di deviazione sul Modmeter (Mono, MPX o SCA). Queste misure vengono effettuate utilizzando le varie scale serigrafate sullo strumento:

<i>MISURE</i>	<i>SCALA</i>	<i>FONDO</i>	<i>SCALA</i>
<i>Tensioni interne</i>	<i>V</i>	<i>30</i>	<i>V</i>
<i>Livelli segnali</i>	<i>V</i>	<i>1</i>	<i>mV</i>

In questa scheda sono presenti anche tre led verdi per segnalare rispettivamente: la presenza del segnale STEREO, l'avvenuto aggancio da parte del VCO e la presenza di un segnale SCA (i led STEREO PRES. e SCA PRES. risultano essere funzionanti solo quando è presente il decoder interno opzionale).

2.6 FRONT-END & MIXER

Il Front-End/Mixer è contenuto in un massello d'alluminio (2 Fig.3) fissato sul coperchio del contenitore metallico che racchiude le schede IF 70MHz e Audio Process.

Il segnale RF in ingresso viene amplificato da 2 stadi a GaAs-Fet, in seguito viene miscelato con quello proveniente dall'oscillatore locale. I 70MHz ottenuti all'uscita del mixer vengono filtrati e inviati alla scheda di conversione IF 70MHz.

2.7 FILTRO CAVITA'

Il filtro cavità (9 Fig.3) è fissato sul contenitore metallico che racchiude le schede IF 70MHz e la Audio Process.

Il filtro cavità viene utilizzato per privilegiare in ingresso la frequenza di lavoro del ricevitore.

2.8 P.L.L.

E' una scheda fissata nella parte sinistra del fondo della macchina (13 Fig.3). Su tale scheda è contenuto il VCO racchiuso in un contenitore metallico (12 Fig.3). Questa scheda riceve il segnale binario equivalente alla frequenza impostata proveniente dalla CPU.

Il PLL riceve un prelievo del segnale RF dal VCO che viene comparato con un segnale di riferimento e rinviato al VCO stesso sotto forma di tensione, mantenendo l'aggancio sulla frequenza di lavoro.

2.9 AUDIO PROCESS CARD

Questa scheda è fissata nella parte posteriore del contenitore metallico posizionato nella zona centrale della macchina.

L'Audio Process card elabora i vari segnali audio, MONO, MPX, SCA e RDS provenienti dalla scheda IF 70MHz.

Inoltre, invia i segnali elaborati ai vari strumenti di misura presenti sia sull'Anameter card che sulla Modmeter card.

Questa scheda invia anche un segnale alla Muting card, la quale visualizza lo stato di muting e permette la regolazione della soglia d'intervento (tarata dalla casa costruttrice a circa -83dBm).

2.10 I.F. 70MHz CARD

Questa scheda è fissata nella parte anteriore del contenitore metallico posizionato nella zona centrale della macchina.

Questo circuito riceve in ingresso il segnale a 70MHz, il quale viene filtrato, amplificato e poi immesso in un mixer che presenta all'altro ingresso un segnale proveniente da un oscillatore a quarzo a 59,3MHz. Il segnale (10.7MHz) che si ottiene dalla differenza tra questi due segnali viene filtrato e amplificato, ed in seguito viene inviato alla Audio Process card che provvede ad elaborarlo.

2.11 MUTING CARD

Questa scheda è fissata nella parte destra del pannello frontale.

Essa serve per regolare la soglia d'intervento del muting del ricevitore (di default = -83dBm) e visualizza lo stato di muting con il relativo led (16 Fig.1).

2.12 DOUBLER

Questa scheda è fissata sul coperchio della scatola metallica che racchiude la scheda Audio Process e la IF 70MHz (6 Fig.3).

Questo circuito duplica la frequenza del segnale proveniente dal VCO, presentando un'uscita a un livello di circa +7dBm, e lo invia all'ingresso del Mixer di prima conversione, il quale lo combina con il segnale RF proveniente dal Front-End e invia l'uscita a 70MHz alla IF 70 MHz card.

DESCRIZIONE DEL PANNELLO FRONTALE (FIG.1)

1 LEVEL HEAR

*Trimmer di regolazione del livello
audio di ascolto in cuffia*

- 2 HEAR Presa Jack per inserzione cuffia
- 3 MONO Connettore BNC d'uscita del
segnale Mono
- 4 REG. MONO Trimmer di regolazione del livello
d'uscita Mono
- 5 REG. MPX Trimmer di regolazione del livello
d'uscita Stereo
- 6 MPX Connettore BNC d'uscita del
segnale MPX
- 7 ON/OFF LPF\15KHz Interruttore per l'inserimento di
un filtro passa-basso 15KHz
- 8 LEDES Indicatore luminoso che indica
quale parametro del ricevitore è
visualizzato sullo strumento
analogico
- 9 STEREO PRES. Indicatore di presenza di segnale
STEREO (solo con decoder STEREO
interno opzionale)
- 10 LOCK Questo indicatore si accende
quando il VCO è agganciato alla
frequenza di riferimento
- 11 SCA PRES. Indicatore di presenza di segnale
SCA (solo con decoder SCA interno
opzionale)
- 12 DOWN Controllo della frequenza sul
display. Ad ogni pressione si
ottiene il decremento di 100KHz
della frequenza sul display
- 13 ENTER Provoca la memorizzazione della
frequenza all'interno della CPU.
Una volta memorizzata, la
frequenza rimane memorizzata fino
a che una nuova frequenza non
viene confermata sul pannello
frontale (anche se la macchina
spenta per parecchi giorni) rimane
- 14 UP Controlla la frequenza nello
stesso modo del pulsante "DOWN",
ottenendo un incremento della

stessa

- | | | | |
|----|-------------------|---|----|
| 15 | LEVEL MUTING | Trimmer di regolazione del livello del muting | |
| 16 | MUTING | Led che indica l'attivazione del muting in quanto il livello del segnale d'ingresso è sceso sotto la soglia stabilita | la |
| 17 | BAR/DOT | Selettore del modo (BAR/DOT) per l'indicatore di modulazione | |
| 18 | MODULATION | Barra di leds per la misura della deviazione | |
| 19 | X1/X10 | Espansione della scala dello strumento di modulazione
Pos. X1 : a fondo scala mostra il 100%
Pos. X10 : a fondo scala mostra il 10% | |
| 20 | SELETTORE METER | Ad ogni pressione sul selettore si accende un led relativo alla misura di un singolo parametro | |
| 21 | METER | Strumento analogico usato per visualizzare i parametri principali del ricevitore:
+15V
+5V
EXT 24V
SIGNAL
CENTER
SCA
MONO
MPX | |
| 22 | FREQUENCY DISPLAY | Indicatore di frequenza | |
| 23 | ON | Indicatore led della presenza di alimentazione | |
| 24 | POWER | On/Off interruttore alimentazione | |

DESCRIZIONE DEL PANNELLO POSTERIORE (FIG. 2)

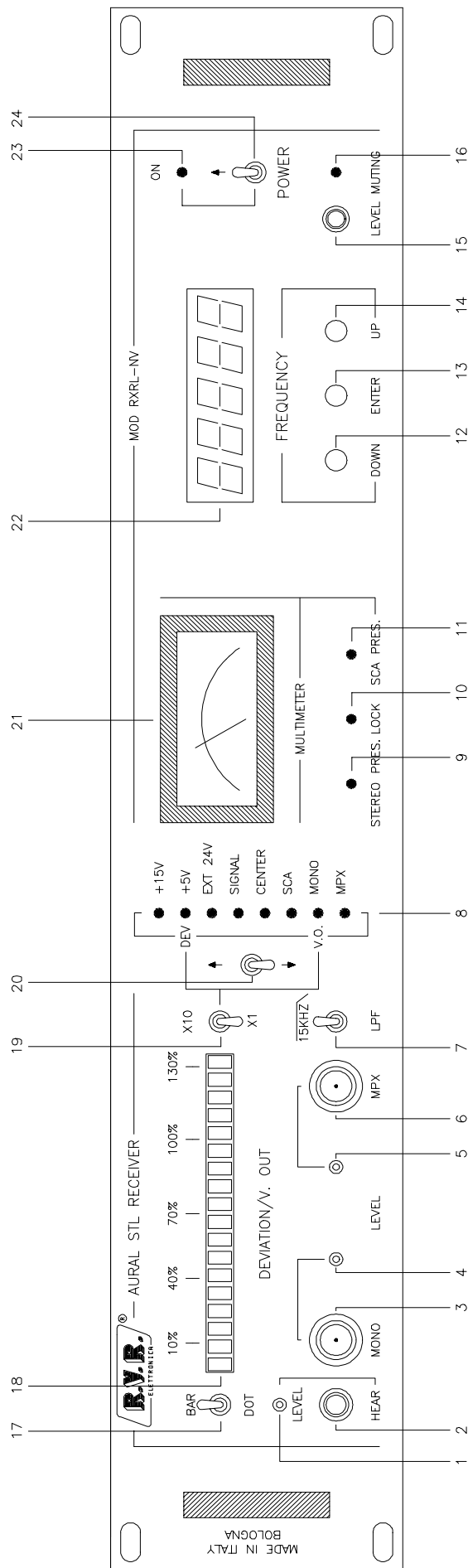


FIG. 1

1	PLUG	Pres a alimentazione Vac
2	BLOCCO FUSIBILI	Blocco fusibili e cambia tensioni
3	REMOTE CONTROL (Opzionale)	Connettore DB9 per il controllo del ricevitore a distanza
4	MORSETTO ROSSO (Opzionale)	Morsetto positivo per l'alimentazione esterna a 24V
5	MORSETTO NERO (Opzionale)	Morsetto negativo per l'alimentazione esterna a 24V
6	USCITA AUDIO U.S.A. (Opzionale)	Uscita audio U.S.A. per telemetria
7	VENTOLA	Ventola per il raffreddamento del ricevitore
8	PRELIEVO A 10.7MHz	Prelievo a 10.7MHz per i test
9	STABILIZZATORE 1	Stabilizzatore della tensione +5V
10	STABILIZZATORE 2	Stabilizzatore della tensione +15V
11	INGRESSO R.F.	Connettore tipo "N", 50 Ohm

DESCRIZIONE DELLA VISTA DALL'ALTO (FIG.3)

1 Scheda Modulation Meter e Uscite Mono/Mpx

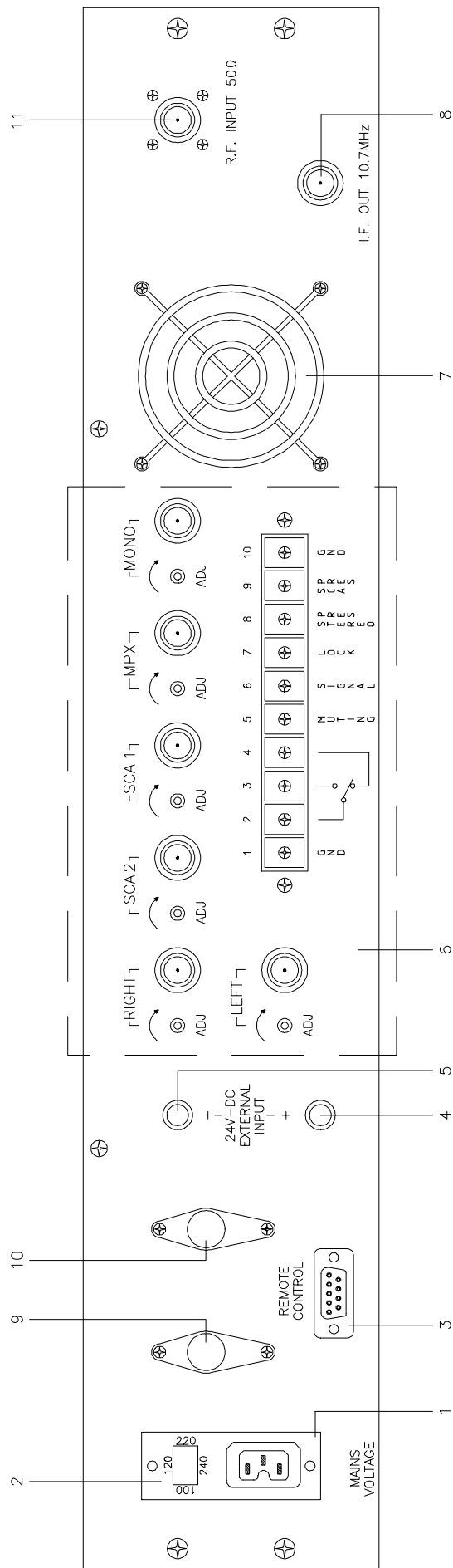


FIG. 2

2	Front-End e Mixer
3	Scheda Anameter
4	C.P.U.
5	Trasformatore
6	Doubler
7	Alimentatore
8	Presca d'alimentazione
9	Filtro Cavità
10	Ventola
11	Connettore d'ingresso R.F.
12	V.C.O.
13	Scheda P.L.L.

CAPITOLO 3
PROCEDURE PER

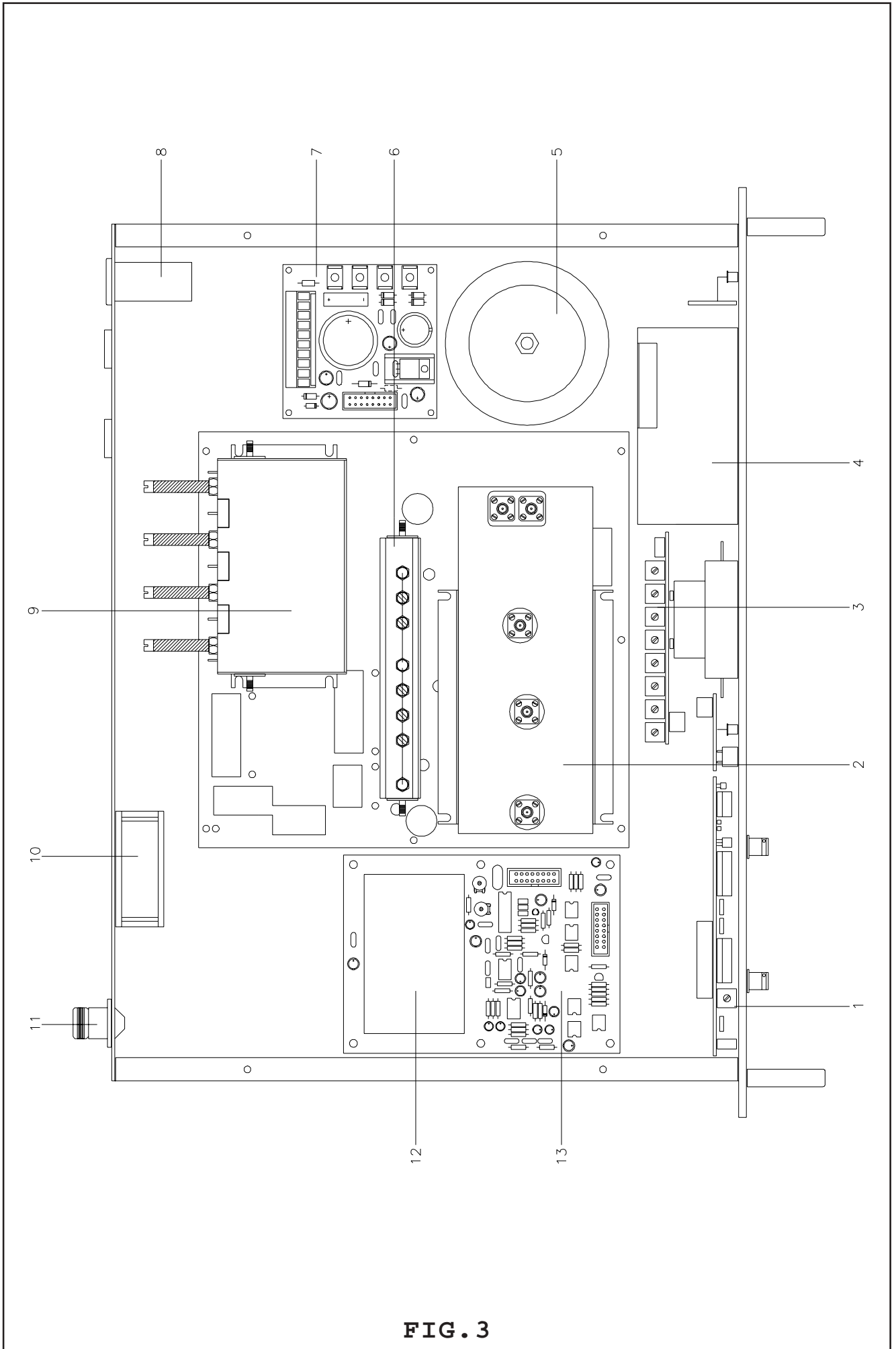


FIG. 3

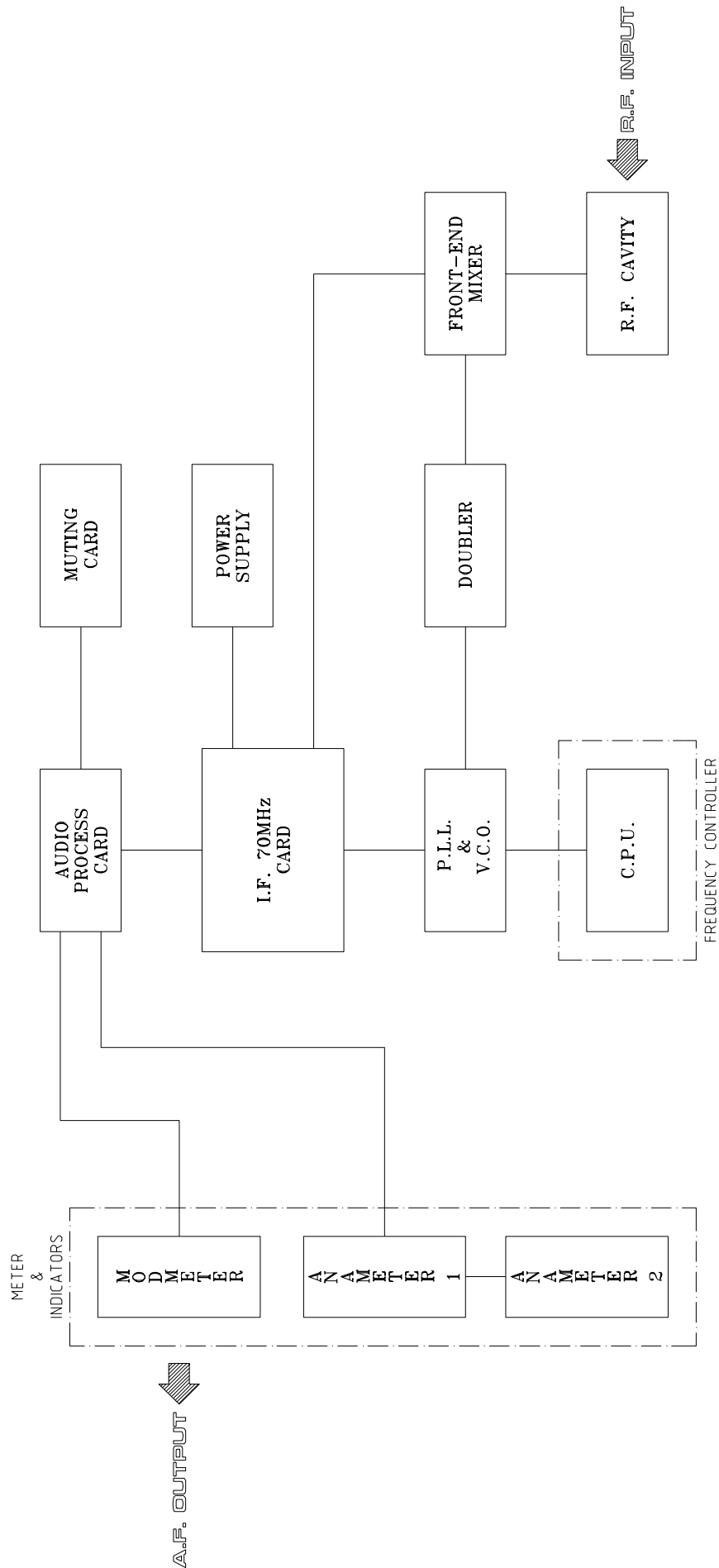


FIG. 4

L'INSTALLAZIONE

3.1 INTRODUZIONE

Questo capitolo contiene le informazioni necessarie per l'installazione ed il controllo preliminare del ricevitore RXRL-NV/2.

3.2 DISIMBALLAGGIO

Togliere dall'imballo l'apparecchiatura e prima di iniziare qualsiasi operazione, controllare che l'apparato non abbia subito danni durante il trasporto, e quindi tutti i comandi presenti sul pannello anteriore e posteriore siano utilizzabili.

3.3 INSTALLAZIONE

Per eseguire l'installazione del ricevitore RXRL-NV/2 occorre eseguire le seguenti operazioni:

1) Questo ricevitore ha la possibilità di funzionare con 4 differenti tensioni di alimentazione: 100, 120, 220 o 240Vac, a 50-60Hz.

La prima operazione da effettuare è pertanto quella di selezionare la giusta tensione di alimentazione tramite il selettore posto sul pannello posteriore: eventualmente con un cacciavite sollevare il cappuccio (2 Fig.2) su cui sono stampati i valori di tensione e ruotarlo fino a che il valore che interessa corrisponda con la freccetta e quindi reinserirlo.

Verificare inoltre la presenza e l'integrità del fusibile contenuto nel cappuccio stesso.

I valori in Ampère di tale fusibile sono di seguito riassunti:

220-240 V - 1 A
100-120 V - 2 A

2) Accertarsi che l'antenna sia collegata correttamente all'ingresso RF (11 Fig.2) posto sul pannello posteriore del ricevitore.

3) Posizionare l'interruttore di accensione su OFF (24 Fig.1).

4) Connettere il cavo di rete nell'apposita vaschetta VDE (1 Fig.2).

N.B.: E' indispensabile che l'impianto sia provvisto di messa a terra per l'incolumità dell'operatore e per un corretto funzionamento dell'apparato.

5) Porre l'interruttore di accensione su ON e controllare l'accensione della spia verde POWER ON (23 Fig.1) e della spia verde relativa alla selezione dei parametri interni nella posizione SIGNAL.

Dopo qualche secondo si accenderà il display centrale (22 Fig.1) che indicherà un numero (es.1750.00): tale valore corrisponde

all'ultima frequenza impostata.

Entro 30 sec. si dovrà verificare l'accensione del led verde LOCK: questo indica che l'oscillatore è agganciato sulla frequenza di lavoro impostata.

Il display è composto da cinque cifre, di cui una sempre alla destra del punto decimale che rappresenta le centinaia di KHz, mentre sulla sinistra vi sono quattro cifre che rappresentano (dal punto verso sinistra), la prima le unità di MHz, la seconda le decine di MHz, la terza le centinaia di MHz, e la quarta le migliaia di MHz.

Per cambiare tale valore agire sui pulsanti UP (14 Fig.1) o DOWN (12 Fig.1) per portare l'apparato sulla nuova frequenza.

Raggiunto il nuovo valore, premere il pulsante ENTER (13 Fig.1) per confermare tale valore.

Contemporaneamente alla pressione del tasto ENTER (se la frequenza si discosta dall'ultima confermata) si avrà lo spegnimento della spia LOCK che sta ad indicare che il VCO si sta spostando sulla nuova frequenza.

Se questo tasto ENTER non viene premuto, il display lampeggerà con il valore ultimo quattro volte riportandosi poi nuovamente sul precedente valore.

N.B. : Durante tutte le operazioni precedentemente descritte e non confermate con la pressione del tasto ENTER, la macchina continua a funzionare regolarmente sulla frequenza di lavoro confermata per ultima.

Da notare che la pressione UP e DOWN, se esercitata in maniera impulsiva (cioè con pressioni molto veloci), comporta uno spostamento di una cifra in più o in meno alla destra del display (centinaia di KHz), mentre una pressione più prolungata fa scorrere velocemente in più o in meno tale cifra e di conseguenza tutte le altre.

Inoltre, quando il display raggiunge uno dei due valori estremi della banda di frequenza, esso salta sull'estremo opposto continuando lo scorrimento nella direzione relativa al pulsante premuto. c o n -

Es. Range 1750.00-1800.00

Premendo il pulsante UP 1799.99-1800.00-1750.00-1750.10

Premendo il pulsante DOWN 1750.10-1750.00-1800.00-1799.99

Dopo circa 1,5 min. dall'avvenuto aggancio del PLL, il display si spegne automaticamente, per riaccenderlo premere ENTER.

N.B. : Il range di frequenza dipende dalla scelta effettuata dal cliente e non è mai superiore ai 50 MHz.

6) Collegare un analizzatore audio alle uscite MONO (3 Fig.6) o MPX (6 Fig.1).

Con un generatore RF iniettare all'ingresso RF del ricevitore una portante alla frequenza di lavoro con livello = -47dBm.

Modulare la portante RF con un tono a 400Hz deviata a ± 100 KHz.

Verificare che lo strumento di misura analogico (21 Fig.1) esegua la lettura di 1mV.

7) Selezionare tramite il selettore (20 Fig.1) la misura CENTER e verificare la centratura del segnale ricevuto.

8) Verifica misuratore di deviazione.

Porre il deviatore di selezione del fondo della scala dell'indicatore di modulazione (19 Fig.1) su X1.

Collegare l'analizzatore audio all'uscita MONO (3 Fig.1).

Verificare l'accensione della barra di led (18 Fig.1) fino al primo led rosso equivalente al 100% di deviazione (equivalente a 100KHz); con il deviatore sulla posizione DOT si avrà l'accensione del solo primo led rosso mentre sulla posizione BAR quella di tutti i led verdi e del primo led rosso.

Verificare sull'analizzatore audio che sia presente un livello di +13dBm.

Le operazioni vanno eseguite sia per l'uscita MONO che per quella MPX.

9) Collegare l'analizzatore audio all'uscita MONO (6 Fig.1).

Iniettare ora all'ingresso RF del ricevitore una portante RF modulata a 10KHz deviata a ± 100 KHz generata esternamente e pari alla frequenza di lavoro.

Verificare l'accensione del primo led rosso.

Verificare inoltre, che il livello misurato sull'analizzatore audio sia di +2,5dBm per la versione con de enfasi di 50 μ sec, o di -1dBm per la versione con de enfasi di 75 μ sec.

10) Iniettare un segnale di livello -83dBm e ruotare il trimmer R2 di regolazione del MUTING (15 Fig.1) fino a che si accende il led rosso del Muting (16 Fig.1), l'audio viene disinserito automaticamente e la barra di led della Modmeter si spegne.

Verificare tramite una cuffia che in effetti l'audio sia stato disinserito.

Se si aumenta nuovamente il livello del segnale il led MUTING si spegne e la ricezione riprende regolarmente.

11) Il regolare funzionamento del led STEREO PRES. (9 Fig.1) può essere verificato solo con la presenza di uno Stereo Decoder opzionale.

Mentre per quel che riguarda il led SCA PRES. (11 Fig.1) lo si può verificare solamente all'atto della ricezione di un segnale SCA e con un SCA decoder opzionale.

CAPITOLO 4

TABELLA C

STRUMENTAZIONE CONSIGLIATA PER I TEST

STRUMENTO	MODELLO	SPECIFICHE
Non-inductive dummy load	Bird	50 Ohm P > 5W
Spectrum Analyzer	Advantest Mod. R4141D	10KHz - 3.5GHz
F.M. Modulation Meter	Rohde Schwarz Mod. F.A.M.	
Digital Multimeter	Metrix	
Power Meter	Hewlett Packard Mod. 435B	
Stereo Decoder	A.E.V. Mod. SMD	Stereo separation > 60dB 30Hz to 15KHz
Low Distortion A.F. generator	Krohn-Hite Mod. 4400A	THD < 0.001%
Oscilloscope	Tektronix	DC-20MHz
R.F. Generator	Rohde Schwarz Mod. SMPD	5KHz / 2720MHz
Audio Analyzer	Panasonic Mod. 2247A	
30dB Attenuator	Hewlett Packard Mod. 8498A	Max Avg Pwr 30W
Variable Attenuator	Hewlett Packard Mod. 8496B	Attenuator 110dB Max RF Pwr 1W CW
Variable Attenuator	Hewlett Packard	Attenuator 11dB Max RF Pwr 1W CW

PROCEDURE DI MANUTENZIONE

4.1 NORME DI SICUREZZA

ATTENZIONE ATTENZIONE ATTENZIONE ATTENZIONE ATTENZIONE

Quando il ricevitore è in funzione, e il coperchio superiore è stato rimosso, sono presenti pericolose tensioni.

Usare degli utensili isolati per qualsiasi tipo di taratura e non toccare qualsiasi componente all'interno dell'apparato quando questo è acceso.

Assicurarsi di disconnettere l'alimentazione del ricevitore prima di effettuare qualsiasi operazione di manutenzione.

PRIMO LIVELLO DI MANUTENZIONE

4.2 MANUTENZIONE ORDINARIA

L'unica manutenzione di cui necessita il RXRL-NV/2 è la periodica sostituzione delle ventole e la relativa pulizia da tracce di polvere eventualmente accumulate al suo interno.

Tale periodicità dipende dalle condizioni di funzionamento della macchina, temperatura ambiente, livello di polvere nell'aria, umidità.

Si consiglia di effettuare un controllo preventivo ad intervalli di 6 mesi e di sostituire le ventole che presentassero rumore o attriti eccessivi, e comunque di provvedere alla loro sostituzione non oltre i 18 mesi.

SECONDO LIVELLO DI MANUTENZIONE

4.3 SOSTITUZIONE DELLA CPU

- 1) Togliere il coperchio superiore della macchina.
- 2) Disconnettere i connettori CN1 e CN2 che collegano la CPU rispettivamente con la P.L.L. card e con il connettore RS232C (se presente).
- 3) Svitare le viti di fissaggio del pannello frontale.
- 4) Svitare i dadi di fissaggio degli interruttori della scheda posti sul pannello frontale e rimuovere la CPU.
- 5) Estrarre la CPU con molta cautela.
- 6) Svitare le viti della scatola metallica di protezione della CPU ed estrarre le schede.

4.4 SOSTITUZIONE DELL'ANAMETER CARD

- 1) Togliere il coperchio superiore della macchina.
- 2) Svitare le viti di fissaggio del pannello frontale.
- 3) Disconnettere il connettore CN1 che collega l'Anameter card con la Audio Process card.
- 4) Svitare il dado dello Switch Selector posto sul pannello frontale.
- 5) Svitare i dadi che fissano la scheda allo strumento di misura.
- 6) Estrarre la scheda con molta cautela.

4.5 SOSTITUZIONE DELLA MODMETER CARD

- 1) Togliere il coperchio superiore della macchina.
- 2) Svitare le viti di fissaggio del pannello frontale.
- 3) Disconnettere il connettore CN1.
- 4) Disconnettere il connettore a due poli che collega la Modmeter card con il connettore LEVEL HEAR posto sul pannello frontale.
- 5) Svitare i dadi dei connettori MONO e MPX posti sul pannello frontale.
- 6) Svitare i dadi degli interruttori di controllo della scheda anch'essi posti sul pannello frontale.
- 7) Estrarre la scheda con molta cautela.

4.6 SOSTITUZIONE DEL POWER SUPPLY

- 1) Togliere il coperchio superiore della macchina.
- 2) Disconnettere il connettore CN6.
- 3) Disconnettere la morsettiera CN5.
- 4) Annotare la posizione dei vari fili e dei relativi colori.
- 5) Disconnettere i faston (CN1, CN2, CN3, CN4) dei vari fili posti sul ponte di diodi.
- 6) Svitare i dadi di fissaggio della scheda sul fondo.
- 7) Estrarre la scheda con molta cautela.

4.7 SOSTITUZIONE DEL FRONT-END E MIXER

- 1) Togliere il coperchio superiore della macchina.
- 2) Disconnettere i connettori CN1, CN2 e CN3 e dissaldare il filo di alimentazione.
- 3) Svitare il Front-End/Mixer dal coperchio della scatola metallica che protegge le schede Audio Process e IF 70MHz.
- 4) Estrarre il Front-End/Mixer con molta cautela.

4.8 SOSTITUZIONE DEL P.L.L.

- 1) Togliere il coperchio superiore della macchina.
- 2) Dissaldare il filo che collega il PLL al Doubler.
- 3) Disconnettere i connettori CN1, CN2 e CN3.
- 4) Svitare i dadi di fissaggio della scheda sul PLL.
- 5) Estrarre il PLL con molta cautela.

4.9 SOSTITUZIONE DELLA MUTING CARD

- 1) Togliere il coperchio superiore della macchina.
- 2) Disconnettere il connettore CN0.
- 3) Svitare il dado del trimmer LEVEL MUTING posto sul pannello frontale.
- 4) Estrarre la Muting card con molta cautela.

4.10 SOSTITUZIONE DELLA AUDIO PROCESS CARD

- 1) Togliere il coperchio superiore della macchina.
- 2) Disconnettere i connettori del Front-End, del Mixer, del Doubler e togliere il coperchio della scatola metallica che protegge la scheda Audio Process e la scheda IF 70MHz.
- 3) Annotare la posizione dei vari connettori della scheda Audio Process e della scheda IF 70MHz.
- 4) Disconnettere i connettori CN1, CN2, CN3 e CN4 della scheda Audio Process e i connettori CN2, CN3, CN4, CN5 e CN6 della scheda IF 70MHz, quest'ultimi per facilitare le operazioni di smontaggio.
- 5) Svitare i dadi di fissaggio della scheda.

- 6) Estrarre la scheda con molta cautela.

4.11 SOSTITUZIONE DELLA IF 70MHz CARD

- 1) Togliere il coperchio superiore della macchina.
- 2) Disconnettere i connettori del Front-End, del Mixer, del Doubler e togliere il coperchio della scatola metallica che protegge la scheda Audio Process e la scheda IF 70MHz.
- 3) Annotare la posizione dei vari connettori della scheda Audio Process e della scheda IF 70MHz.
- 4) Disconnettere i connettori CN1, CN2, CN3 e CN4 della scheda Audio Process e i connettori CN2, CN3, CN4, CN5 e CN6 della scheda IF 70MHz.
- 5) Svitare i dadi di fissaggio della scheda IF 70MHz.
- 6) Estrarre la scheda con molta cautela.

4.12 SOSTITUZIONE DEL V.C.O.

- 1) Togliere il coperchio superiore della macchina.
- 2) Disconnettere i connettori CN3 e CN4 della scheda P.L.L. e il connettore che collega il Doubler al VCO.
- 3) Dissaldare il filo dell'alimentazione.
- 4) Dissaldare il box che protegge la scheda V.C.O. dal suo coperchio inferiore.
- 5) Estrarre il box che protegge la scheda V.C.O..

4.13 SOSTITUZIONE DEL DOUBLER

- 1) Aprire il coperchio superiore della macchina.
- 2) Disconnettere i connettori CN1 e CN2 del Doubler.
- 3) Dissaldare il filo dell'alimentazione del Doubler.
- 4) Svitare il Doubler dal coperchio metallico della scheda Audio Process e della scheda IF 70MHz.
- 5) Estrarre il Doubler con molta cautela.

4.14 SOSTITUZIONE DEL FILTRO CAVITA'

- 1) Aprire il coperchio superiore della macchina.
- 2) Disconnettere i connettori CN1 e CN2 del Filtro Cavità.
- 3) Svitare il Doubler dal coperchio metallico della scheda Audio Process e della scheda IF 70MHz.
- 4) Estrarre il Filtro Cavità con molta cautela.

CAPITOLO 5

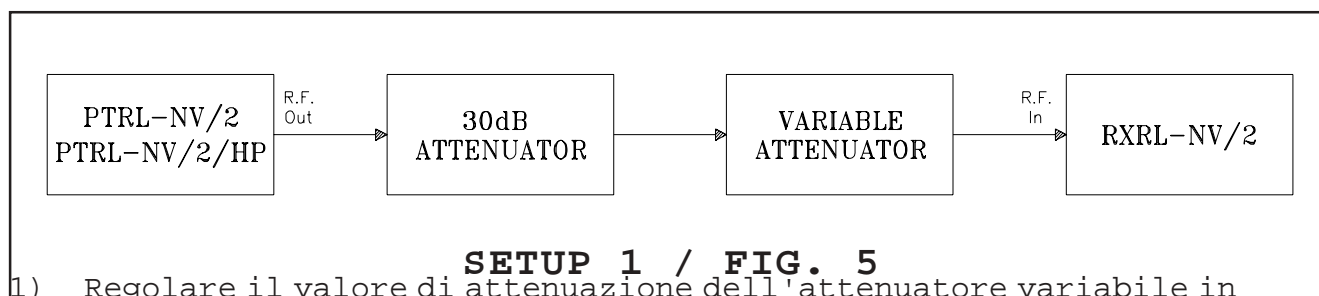
PROCEDURA PER LA TARATURA

5.1 INTRODUZIONE

PER OTTENERE UNA BUONA TARATURA E' NECESSARIO PORTARE IL DISPOSITIVO ALLA TEMPERATURA DI LAVORO.

5.2 TARATURA DEL FILTRO CAVITA'

Per effettuare questa taratura occorre collegare l'equipaggiamento come mostrato nel SETUP 1 (Fig.5):



SETUP 1 / FIG. 5

1) Regolare il valore di attenuazione dell'attenuatore variabile in base alla potenza di uscita del trasmettitore (Tabella E).

TABELLA E			
POTENZA DEL PTRL-NV/2	ATTENUAZIONE	ATTENUATORE 30dB	VALORE DELL'ATTENUATORE VARIABILE
1 W	83 dB	30 dB	53 dB
2 W	86 dB	30 dB	56 dB
5 W	90 dB	30 dB	60 dB

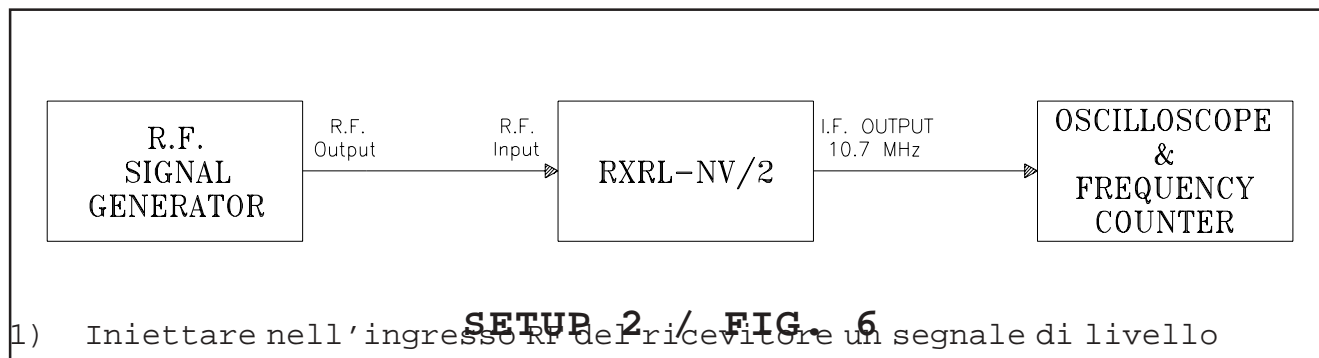
2) Tarare il filtro cavità regolando i 4 Tuning Elements, in modo da ottenere il massimo segnale in ricezione, verificando la corrispondente lettura dello strumento del ricevitore (massimo segnale RF visualizzabile = -47dBm).

5.2 TARATURA DEL FRONT-END E MIXER

Il modulo Front-End/Mixer viene fornito dalla fabbrica già tarato nella banda di frequenza di lavoro. Nel caso in cui si volesse effettuare una variazione della banda di frequenza, occorre inviare alla fabbrica il modulo stesso, in quanto la sua taratura risulta essere molto complessa da effettuarsi.

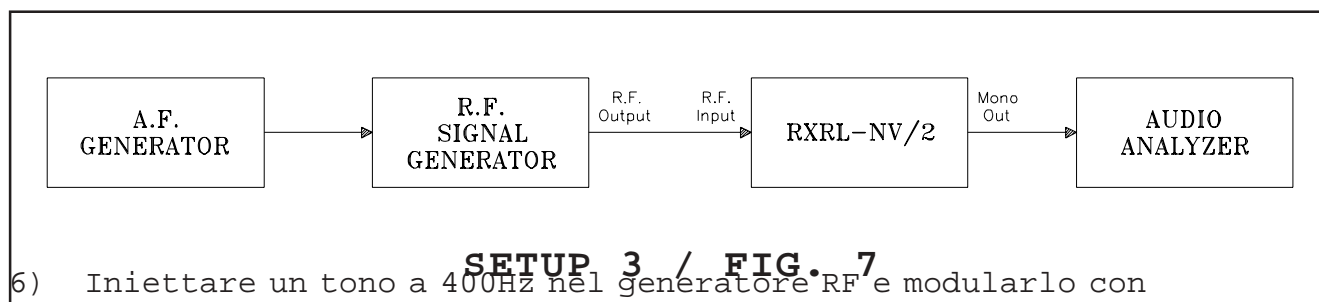
5.4 TARATURA DELLA IF 70MHZ

Per effettuare questa taratura occorre collegare l'equipaggiamento come mostrato nel SETUP 2 (Fig.6):



SETUP 2 / FIG. 6

- 1) Iniettare nell'ingresso RF del ricevitore un segnale di livello -47dBm alla frequenza pari a quella di lavoro del ricevitore, tramite il generatore di segnali RF.
- 2) Verificare tramite un frequenzimetro, la precisione della lettura della frequenza IF 10,7MHz (accettabile 10,700MHz).
In caso contrario agire sui compensatori C27 e C28 situati sulla scheda PLL.
- 3) Ora, controllando sull'oscilloscopio, agire su TR1 e poi su TR2 posti sulla scheda IF 70MHz per ottimizzare l'ampiezza della IF 10,7MHz.
- 4) Controllare che il livello della IF 10,7MHz sia ancora maggiore o uguale 150mVpp, in caso contrario agire su P1 posto su questa scheda (agire su P1 con moderazione per non alterare la distorsione audio).
- 5) Collegare ora il ricevitore come mostrato nel SETUP 3 (Fig.7).



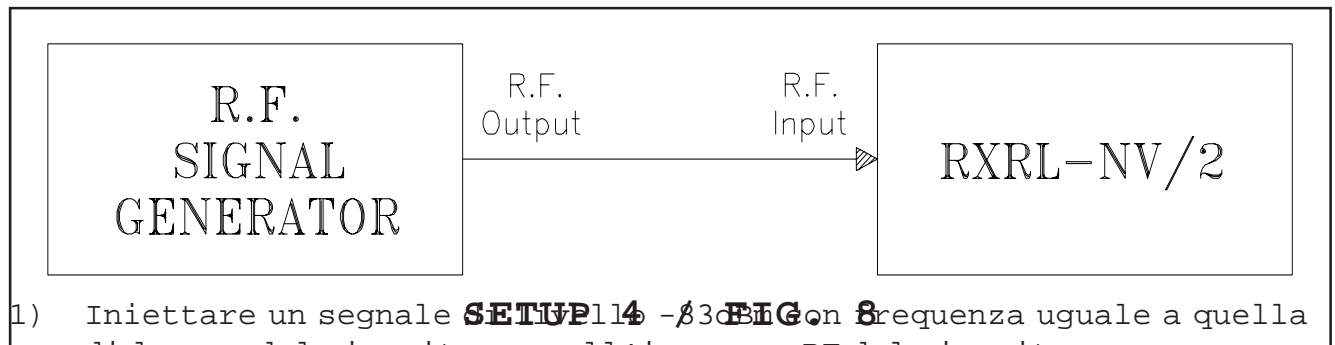
SETUP 3 / FIG. 7

- 6) Iniettare un tono a 400Hz nel generatore RF e modularlo con deviazione pari a ±100KHz. Il segnale RF ottenuto viene iniettato nell'ingresso RF del ricevitore.
- 7) Controllare che i trimmers MONO (R42) e MPX (R41) posti sul pannello anteriore siano nella posizione di massimo.
- 8) Eseguire la lettura del livello del segnale MONO uscente dal ricevitore tramite l'analizzatore audio.
- 9) Regolare tale livello con TR3 per ottenere il massimo valore, e con TR4 per ottenere il minimo valore.
- 10) Settare l'analizzatore audio per ottenere una misura di distorsione audio percentuale con LPF = 30KHz.
- 11) Agire su TR3 e TR4 alternativamente per ottenere la minima distorsione audio MONO percentuale (raggiungibile 0,1%). Dopo aver

ottimizzato quella MONO, risulta ottimizzata anche quella MPX (minore o uguale a 0,3%). In caso contrario si può agire su P1, TR1 e TR2, tenendo presente di non diminuire troppo il livello d'ampiezza della IF 10,7MHz.

5.5 TARATURA DELLA MUTING CARD

Per effettuare questa taratura occorre collegare l'equipaggiamento come mostrato nel SETUP4 (Fig.8):



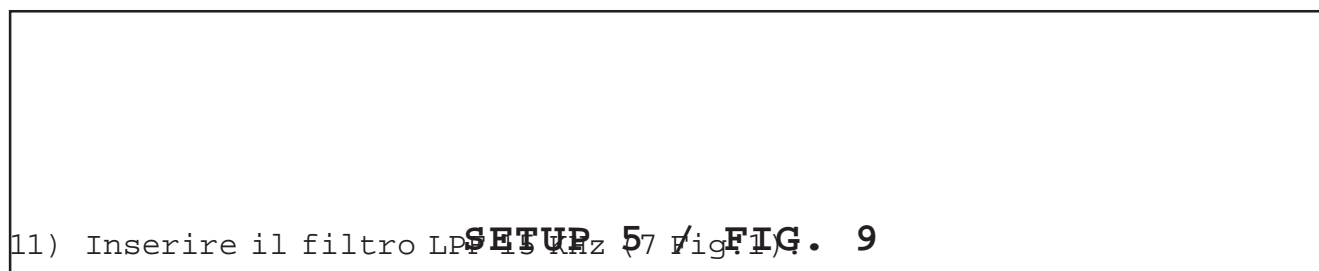
- 1) Iniettare un segnale ~~SETUP 14 - 83dBm~~ **Fig. 8** a frequenza uguale a quella di lavoro del ricevitore, sull'ingresso RF del ricevitore.
- 2) Regolare a metà corsa il potenziometro P2 posto sulla scheda IF 70MHz.
- 3) Ruotare il trimmer R2 posto sulla scheda MUTING fino a che il ricevitore blocca il segnale audio.

5.6 TARATURA DELL'AUDIO PROCESS CARD

Per effettuare questa taratura occorre collegare l'equipaggiamento come mostrato nel SETUP 3 (Fig.7):

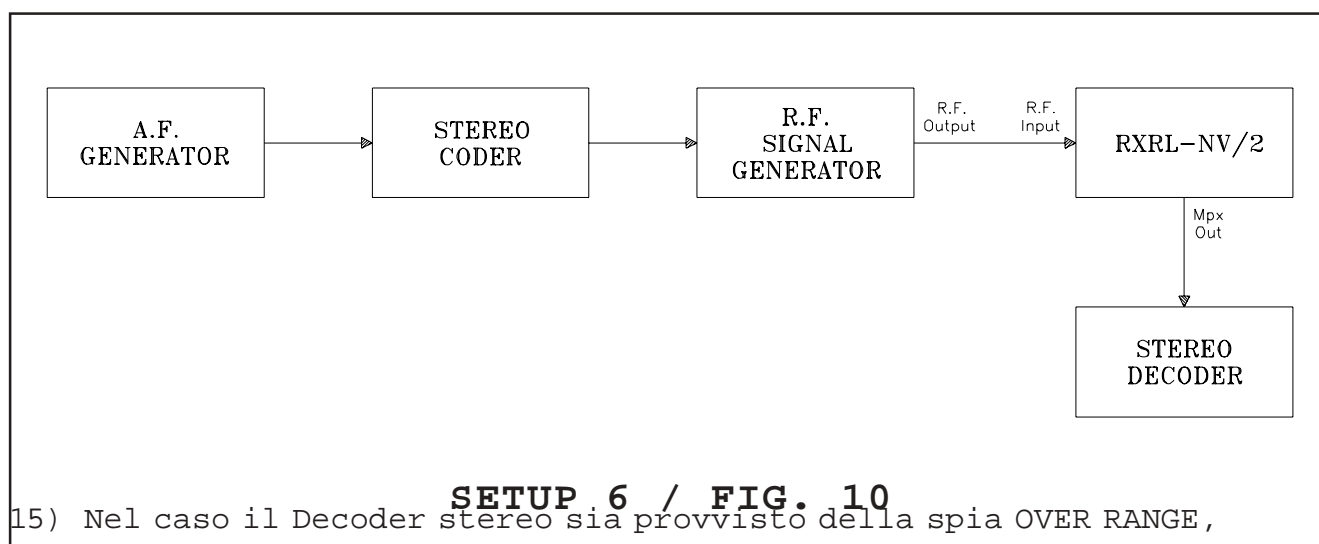
- 1) Controllare che i trimmers R41 e R42 relativi agli ingressi MONO e MPX siano nella posizione di valore massimo.
- 2) Controllare che il Jumper JP1 sia nella posizione relativa alla de-enfasi desiderata (posizione A = 50µs versione "Europa", posizione B = 75µs versione "America").
- 3) Iniettare un segnale con portante alla frequenza di lavoro e con modulante a 400Hz deviata a ±100KHz.
- 4) Agire su R8 per ottenere una lettura di livello sull'analizzatore audio di +13dBm per l'uscita MONO.
- 5) Iniettare ora un segnale a 10KHz con deviazione 100KHz, e tramite R12 ottenere una lettura di +2,5dBm per una deenfasi di 50µs (-1dBm per una deenfasi di 75µs).
- 6) Iniettare nuovamente un segnale con portante alla frequenza di lavoro e con modulante a 400Hz deviata a ±100KHz.

- 7) Verificare che il livello di +13dBm sia ancora presente, in caso contrario agire ancora su R8.
- 8) Verificare tramite le procedure di taratura della Modmeter card che le misure da essa effettuate siano corrette.
- 9) E' fondamentale effettuare prima la taratura del segnale MONO per poter ottenere una misura corretta di SCA.
- 10) Collegare il ricevitore come mostrato nel SETUP 5 (Fig.9):



11) Inserire il filtro LPF 15 KHz (Fig. 9)

- 12) Agire su R18 per ottenere una lettura di +13dBm.
- 13) Disinserire il filtro LPF 15 KHz e agire su R15 per ottenere nuovamente il livello di +13 dBm.
- 14) Collegare l'equipaggiamento come mostrato nel SETUP 6 (Fig.10) per controllare la separazione stereo.



SETUP 6 / FIG. 10

15) Nel caso il Decoder stereo sia provvisto della spia OVER RANGE, diminuire il livello audio dell'uscita MPX fide che la spia non si spegne.

- 16) Iniettare un segnale con portante alla frequenza di lavoro e con modulante a 10KHz con deviazione di ±100KHz.
- 17) Verificare che la lettura fatta sullo stereo decoder della separazione stereo dei due canali sia circa 40-45dB, se ciò non fosse

agire su R80 e R65, tenendo presente che la separazione stereo tra i due canali deve essere bilanciata (± 2 o 3 dB tra L/R e R/L).

18) Iniettare un segnale con portante alla frequenza di lavoro e con modulante a 400Hz con deviazione di ± 100 KHz.

19) Se necessario, migliorare la separazione stereo agendo su R71 con la stessa procedura del passo (16).

20) Iniettare frequenze modulanti comprese tra 40Hz e 15KHz e verificare che la separazione si mantenga al di sopra dei 40dB.

5.7 TARATURA DELLA CPU

Dopo la sostituzione verificare l'accensione dei display e il funzionamento dei pulsanti UP (14 Fig.1) e DOWN (12 Fig.1) e del tasto ENTER (13 Fig.1) impostando la frequenza di funzionamento del trasmettitore. Verificare inoltre il funzionamento della porta seriale RS232 (se presente). Non sono necessarie altre tarature.

5.8 TARATURA DELL'ANAMETER CARD

Selezionare tramite il selettore tutte le misure, verificarne la correttezza ed eventualmente tarare i relativi trimmers secondo la seguente tabella:

MISURA	VALORE	F. S.	TRIMMER	NOTE
+15V	15V	30V	R18	
+5V	5V	30V	R17	
EXT 24V (Opz.)	24V	30V	R22	
SIGNAL	1mV	1mV	R21	
CENTER	TACCA NERA		R16	1
SCA			R15	2
MONO			R19	3
MPX			R20	4

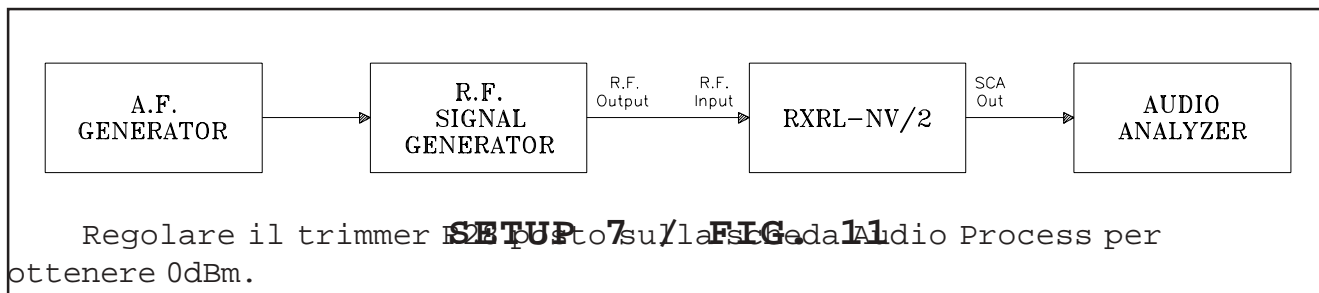
NOTE:

1) La lettura viene effettuata a metà della tacca nera orizzontale presente nello strumento.

2) Nel caso di ricevitore non avente uscita SCA dedicata, non è possibile la lettura e la regolazione del livello SCA sulla Modmeter.

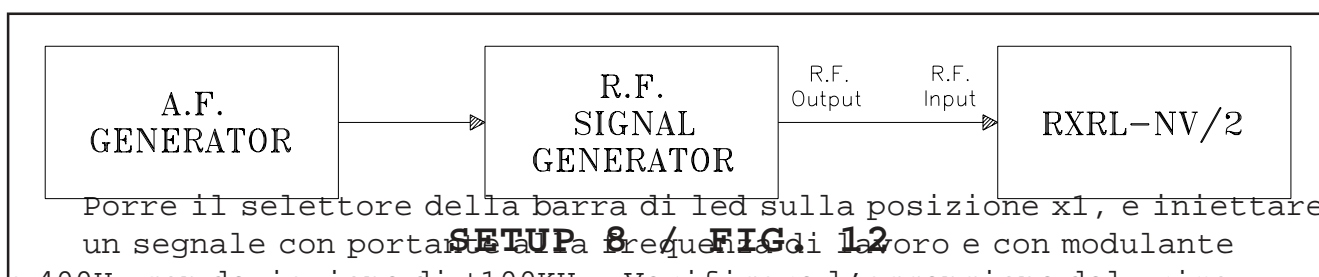
Se invece questa è presente, dopo aver selezionato con il selettore posto sul pannello frontale la misura SCA e con il selettore della Modmeter la scelta x10, iniettare un segnale a 67KHz con deviazione di 10KHz.

Collegare l'equipaggiamento come mostrato nel SETUP 7 (Fig.11):



Agire su R15 per ottenere l'accensione del primo led rosso della barra di led della Modmeter Card.

3) Collegare l'equipaggiamento come mostrato nel SETUP 8 (Fig.12):



4) Ripetere le stesse operazioni fatte al passo 3) per la misura del segnale MPX.

Eeguire tutte le operazioni di taratura delle varie grandezze, selezionare una misura differente da SCA, MONO o MPX.

Selezionare X10 sulla Modmeter e iniettare un segnale con portante alla frequenza di lavoro e con modulante a 400Hz con deviazione di $\pm 10\text{KHz}$ e verificare nuovamente l'accensione del primo led rosso.

In caso contrario agire su R4 della scheda Modmeter.

5.8 TARATURA DELLA MODMETER CARD

Per questa taratura fare riferimento al SETUP 8 (Fig.12).

- 1) Iniettare un segnale con portante alla frequenza di lavoro e con modulante a 400Hz con deviazione di $\pm 100\text{KHz}$.
- 2) Posizionare l'interruttore sulla posizione "X1".
- 3) Regolare il trimmer R30 sulla scheda Modmeter per l'accensione del 1° led rosso (corrispondente alla scritta 100%).
- 4) Posizionare l'interruttore sulla posizione "X10".
- 5) Iniettare un segnale con portante alla frequenza di lavoro e con modulante a 400Hz con deviazione di $\pm 10\text{KHz}$.

6) Regolare il trimmer R4 sulla scheda Modmeter per l'accensione del 1° led rosso (corrispondente alla scritta 100%).

5.10 TARATURA DEL POWER SUPPLY

Questo dispositivo non necessita di operazioni di taratura.

5.11 TARATURA DEL VCO

Per effettuare la taratura del VCO occorre eseguire le seguenti operazioni:

1) Collegare un voltmetro con il puntale positivo sul condensatore passante in vetro P2 (che porta al varicap) e il puntale negativo a massa.

2) Controllare che agli estremi del range di frequenza disponibile sulla Eprom del ricevitore sia presente una tensione compresa tra 3,5 V e 10,3 V.

Verificare che alla frequenza più alta corrisponda la tensione maggiore.

3) In caso contrario, cioè nel caso in cui non si sia verificato l'aggancio del PLL, occorre cambiare la posizione della saldatura che mette la strip line SL collegata al catodo del varicap tramite il condensatore CX.

4) Nel caso in cui la taratura venga effettuata a seguito di un cambio di frequenza occorrerà sostituire anche il condensatore CX e l'impedenza L4 posti sulla scheda del VCO secondo la Tabella D.

TABELLA D

RANGE DELLE FREQUENZE	VALORE DI CX	VALORE DI L4
1400-1700 MHz	3.3-5.6 pF	2.2 μ H
1700-2000 MHz	3.3-5.6 pF	0.22 μ H

5.12 TARATURA DEL DOUBLER

Questo dispositivo non necessita di operazioni di taratura, in quanto, in caso di sostituzione, viene già tarato all'atto della costruzione.

CAPITOLO 6

PROCEDURE PER L'ALLINEAMENTO DEL PONTE RADIO

6.1 INTRODUZIONE

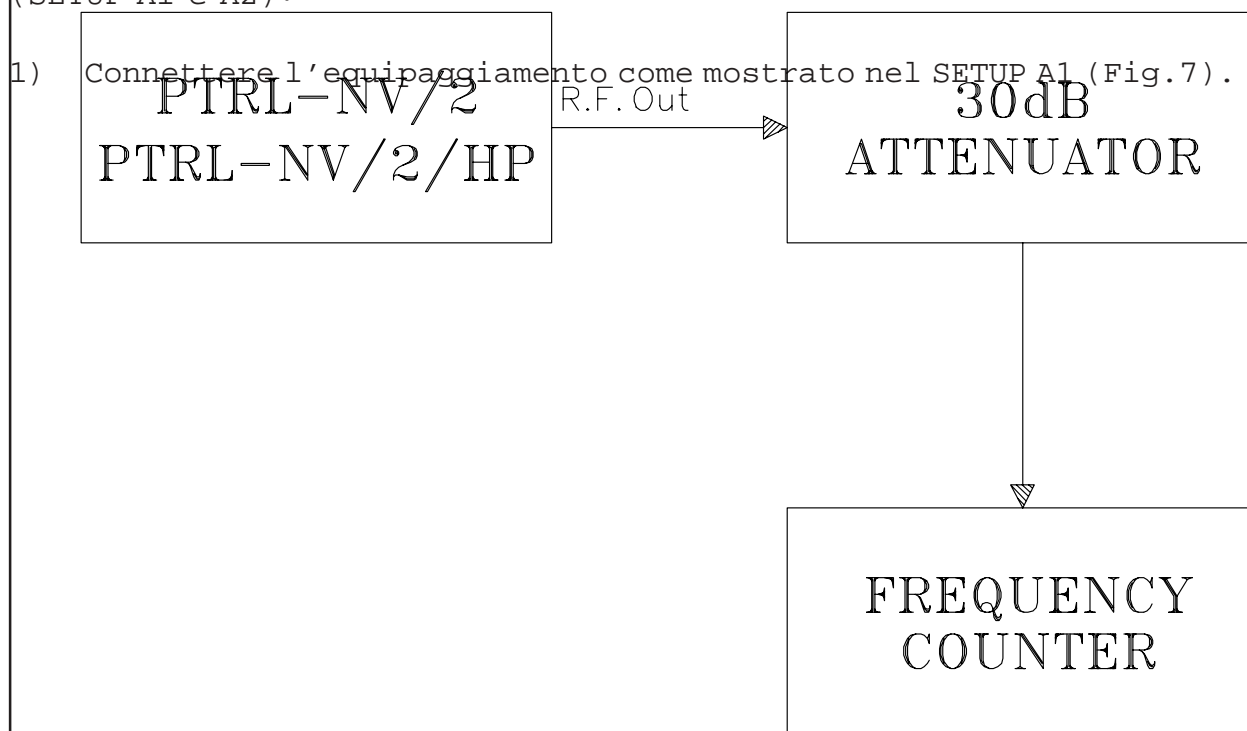
Questo capitolo presenta le procedure di allineamento tra il trasmettitore PTRL-NV/2 (o PTRL-NV/2/HP) e il ricevitore RXRL-NV/2

6.2 ALLINEAMENTO IN FREQUENZA

La frequenza del ponte radio completo (TX+RX) viene allineata usando un frequenzimetro per misurare la frequenza di uscita del trasmettitore e la frequenza della seconda conversione del ricevitore.

E' consigliato un contatore di alta precisione (stabilità almeno $\pm 0.2\text{ppm}$) per allineare collegamenti radio che sono usati in installazioni ridondanti. Se un tale contatore non è disponibile, si consiglia di allineare entrambi i sistemi radio allo stesso tempo e con lo stesso contatore di frequenza. Una differenza maggiore di 2KHz tra le frequenza centrale del trasmettitore e quella centrale del ricevitore avrà come effetto una degradazione della distorsione audio e della separazione stereo.

~~Per realizzare questo allineamento occorre eseguire le seguenti operazioni (SETUP A1 e A2):~~



SETUP A1 / FIG. 7

- 2) Accendere il trasmettitore e attendere fino a che non è avvenuto l'aggancio sulla frequenza di lavoro e non si è spenta la spia U N - LOCK.
- 3) Selezionare sul pannello frontale con il meter selector la misura FWD della potenza diretta.
Verificare la lettura del valore massimo di potenza.
- 4) Valutare con il frequenzimetro il valore della frequenza d'uscita del trasmettitore e regolarlo tramite i compensatori C68 e C69 posti sulla scheda Main Card.

5) Connettere ora l'equipaggiamento come mostrato nel SETUP A2 (Fig.8).

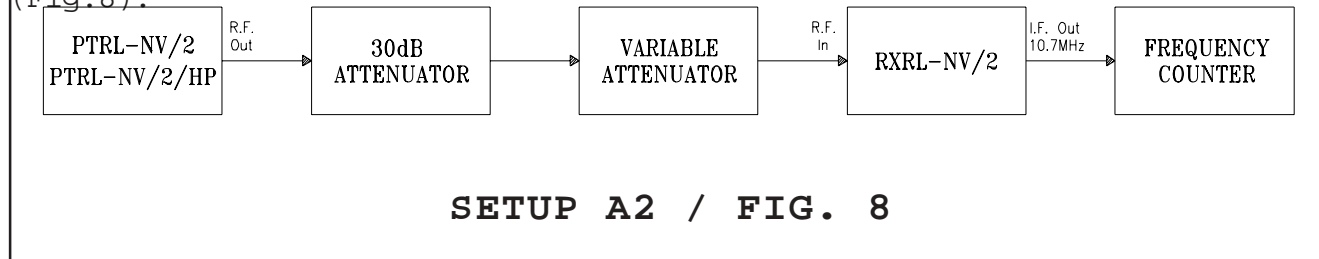


TABELLA E

POTENZA DEL PTRL-NV/2	ATTENUAZIONE ATTENUATORE 30dB	VALORE DELL'ATTENUATORE VARIABILE
1 W	83 dB	53 dB
2 W	83 dB	56 dB
5 W	90 dB	60 dB

Nota : I valori di attenuazione sopra indicati si riferiscono ad un segnale di -53dBm ingresso al ricevitore

6) Regolare il valore di attenuazione dell'attenuatore variabile in base alla potenza di uscita del trasmettitore (Tabella E).

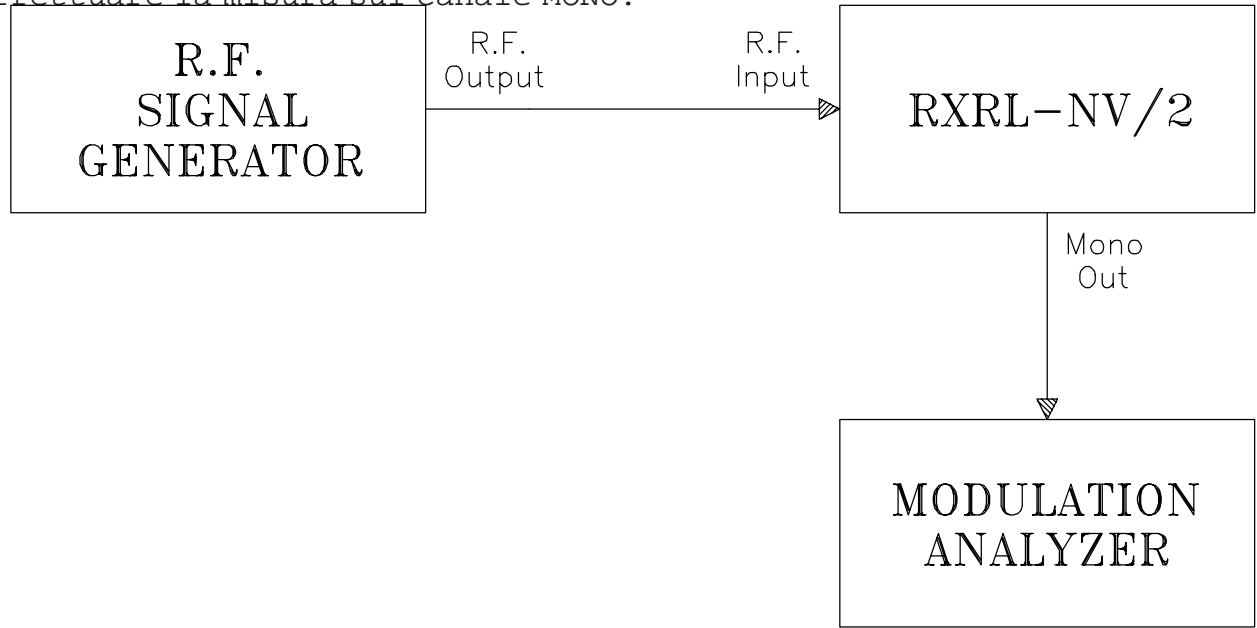
7) Collegare il contatore all'uscita IF 10,7MHz e verificare effettivamente questo valore, regolandolo tramite i compensatori C27 e C28 situati sulla scheda Sintesi del ricevitore.

6.3 MISURA DI S/N DEL RICEVITORE

Il rapporto S/N Mono si effettua misurando il valore efficace del segnale audio utile all'uscita del ricevitore, ottenuto da un segnale modulante a 400Hz deviato a ±100KHz e comparandolo con il valore efficace del rumore misurato nelle stesse condizioni ma in assenza di modulante nella banda 30Hz/20KHz. Nel caso di modulazione stereofonica, l'S/N andrà rilevato sui singoli canali (Left e Right) decodificati e de-enfatizzati.

Questa misura deve essere eseguita usando rispettivamente le configurazioni del SETUP B1 e B2 ed eseguendo le operazioni seguenti:

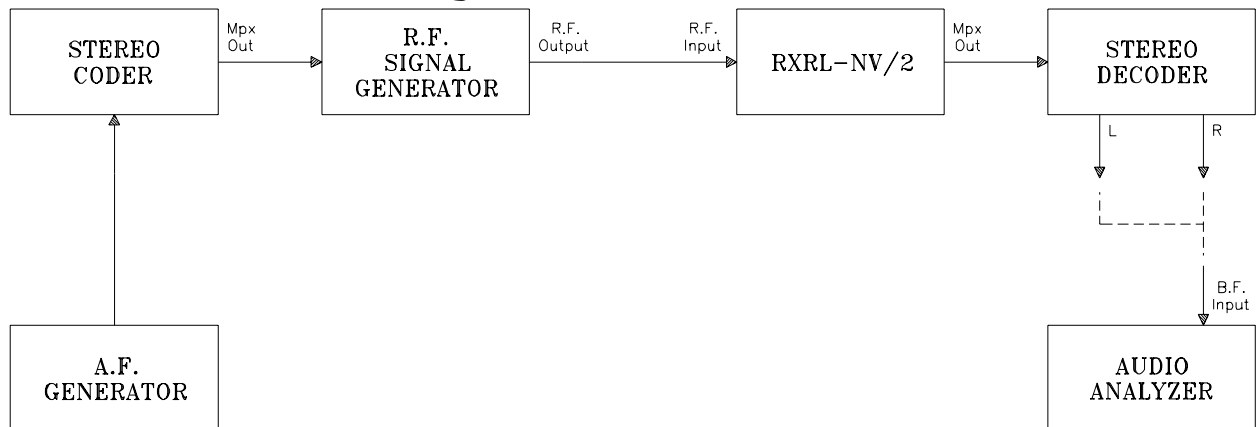
1) Connettere gli strumenti come mostrato nel SETUP B1 (Fig.9) per effettuare la misura sul canale MONO.



SETUP B1 / FIG. 9

- 2) Predisporre il generatore di segnale affinché emetta un segnale di 100µV (-67dBm) da inviare al ingresso RF del ricevitore.
- 3) Modulare la portante RF con un tono a 400Hz deviato a ±100KHz.
- 4) Verificare sull'analizzatore di modulazione, che il rapporto segnale rumore per il ricevitore RXRL-NV/2 sia migliore di 65dB.

5) Connettere gli strumenti come mostrato nel SETUP B2 (Fig.10) per effettuare la misura del segnale STEREO.



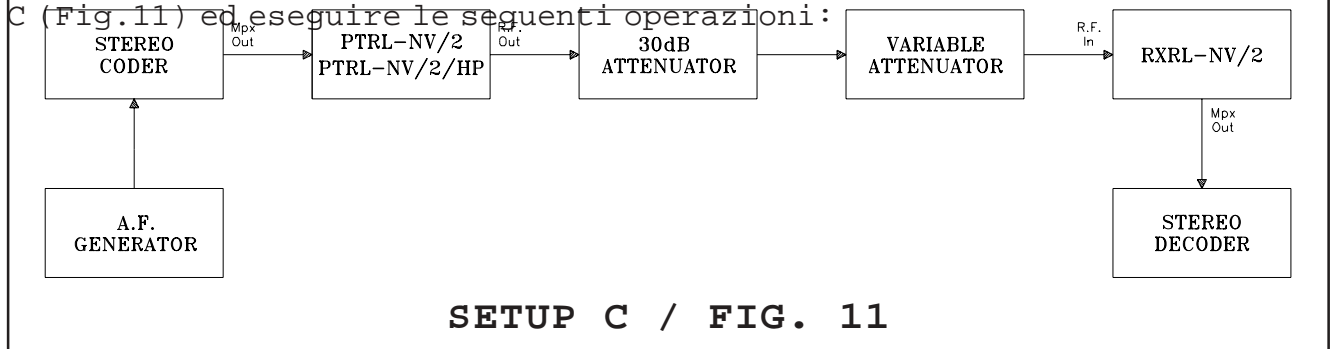
SETUP B2 / FIG. 10

- 6) Predisporre il generatore di segnali affinché emetta un segnale con un livello di 1mV (-47dBm) da inviare all'ingresso del ricevitore.
- 7) Effettuare la misura del rapporto segnale rumore sull'analizzatore di modulazione, e verificare che sia migliore di 60dB per ogni singolo canale demodulato e deenfattizzato.

6.4 SEPARAZIONE STEREO

La misura della separazione stereo viene effettuata utilizzando un coder stereo e un demodulatore stereo con una precisione nota. Questa misura viene effettuata calcolando il rapporto tra il segnale residuo del canale destro riferito al canale sinistro con il solo segnale portante sinistro (o viceversa) per frequenze comprese tra 40Hz e 15KHz.

~~Per realizzare queste misure occorre realizzare la configurazione del SETUP C (Fig.11) ed eseguire le seguenti operazioni:~~



- 1) ~~Regolare il valore di attenuazione dell'attenuatore variabile in base alla potenza di uscita del trasmettitore (TABELLA E).~~

POTENZA DEL PTRL-NV/2	ATTENUAZIONE	ATTENUATORE 30dB	VALORE DELL'ATTENUATORE VARIABILE
1 W	83 dB	30 dB	53 dB
2 W	86 dB	30 dB	56 dB
5 W	90 dB	30 dB	60 dB

Nota : I valori di attenuazione sopra indicati si riferiscono ad un segnale di -53dBm ingresso al ricevitore

- 2) Predisporre il generatore di segnali in modo da avere un livello di -10dB all'ingresso right e successivamente a quello left dello stereo coder.
- 3) Verificare che il valore misurato sullo stereo decoder sia migliore di 40dB da 40Hz a 15KHz.

6.6 CAMBIO FREQUENZA

Le operazioni necessarie per il cambio frequenza variano in base al nuovo valore che si intende impostare.

Si possono presentare due tipi di situazione :

CASO A - La nuova frequenza ricade nel range di lavoro del finale del trasmettitore e del Front-End/Mixer del ricevitore.

CASO B - La nuova frequenza non ricade nel range di lavoro del finale del trasmettitore o del Front-End/Mixer del ricevitore.

CASO A

Nel caso in cui la nuova frequenza ricada nel range di lavoro del finale del trasmettitore e del Front-End/Mixer del ricevitore le operazioni da eseguire sono le seguenti:

TRASMETTITORE

- 1) Selezionare la nuova frequenza tramite i selettori UP e DOWN e confermarla con il tasto ENTER.

RICEVITORE

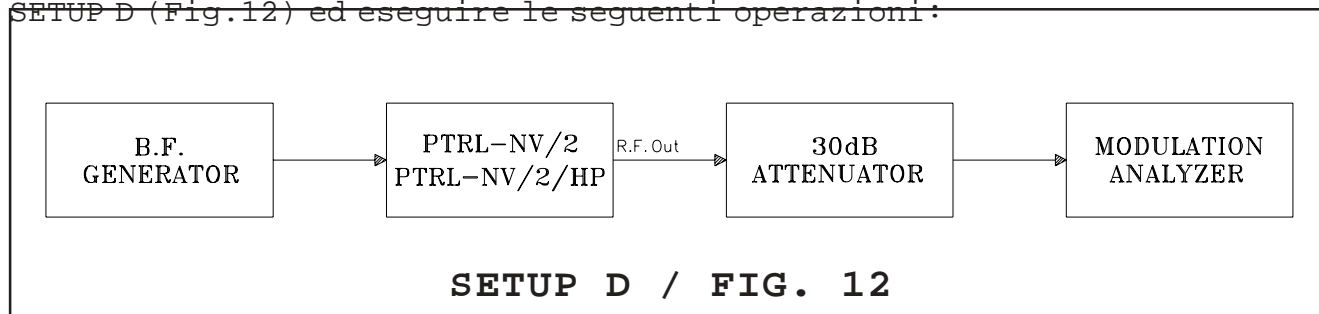
- 1) Selezionare la nuova frequenza tramite i selettori UP (14 Fig.1) e DOWN (12 Fig.1) e confermarla con il tasto ENTER (13 Fig.1).
- 2) Selezionare tramite il selettore dello strumento analogico la misura SIGNAL confermata dall'accensione del relativo led verde.
- 3) Tarare per la ricezione del massimo segnale RF il filtro cavità contenuto all'interno della macchina, verificando la corrispondente lettura dello strumento del ricevitore (massimo segnale RF visualizzabile = -47dBm).

CASO B

Nel caso in cui la nuova frequenza non ricada nel range di lavoro del finale del trasmettitore o del Front-End/Mixer del ricevitore, occorre fare effettuare il cambio frequenza dalla casa costruttrice in quanto operazioni errate potrebbero provocare il danneggiamento delle apparecchiature.

6.7 DEVIAZIONE E DISTORSIONE AUDIO % DEL TRASMETTITORE

Per realizzare queste misure occorre realizzare la configurazione del SETUP D (Fig.12) ed eseguire le seguenti operazioni:



- 1) Predisporre il generatore BF per ottenere un livello di -10dBm (0dBm per la versione Americana) all'ingresso MONO e poi a quello STEREO.
- 2) Settare l'analizzatore in modo da ottenere la lettura della

deviazione.

3) Verificare che il valore della deviazione letto sia 100KHz per il PTRL-NV/2 (o PTRL-NV/2/HP). In caso contrario agire sul trimmer R8 contenuto all'interno VCO (effettuare l'operazione sia per l'ingresso MONO che STEREO).

4) Predisporre ora l'analizzatore in modo da ottenere la lettura della distorsione (con de-enfasi di 50 μ Sec per la versione Europea e di 75 μ Sec per la versione Americana).

5) Verificare che i valori ottenuti selezionando filtri da 30Hz a 20KHz siano minori o uguali a 0.1% per l'ingresso MONO (effettuare l'operazione anche per l'ingresso STEREO).

APPENDIX A

CIRCUIT

DIAGRAMS, LAYOUTS AND BILLS OF MATERIAL

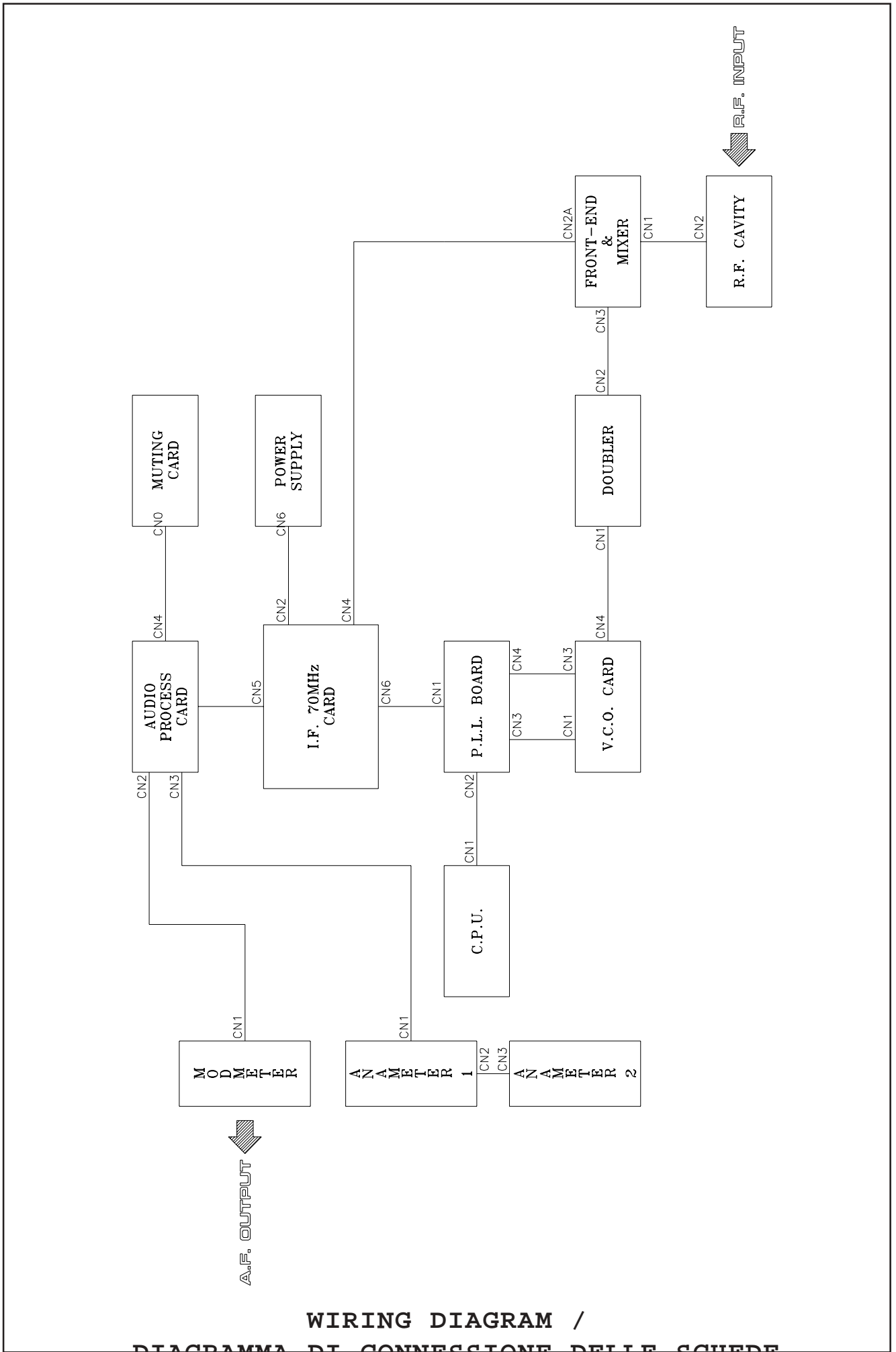
This section contains circuit diagrams, layouts and bills of material of the modules which composing the equipment.
For more information about each module see as reference Section 2.

APPENDICE A

SCHEMI

ELETTRICI, PIANI DI MONTAGGIO E LISTE COMPONENTI

Questo capitolo contiene gli schemi elettrici, i piani di montaggio e le liste componenti delle schede che compongono la macchina.
Per ulteriori informazioni riguardanti le singole schede vedere come riferimento il Capitolo 2.



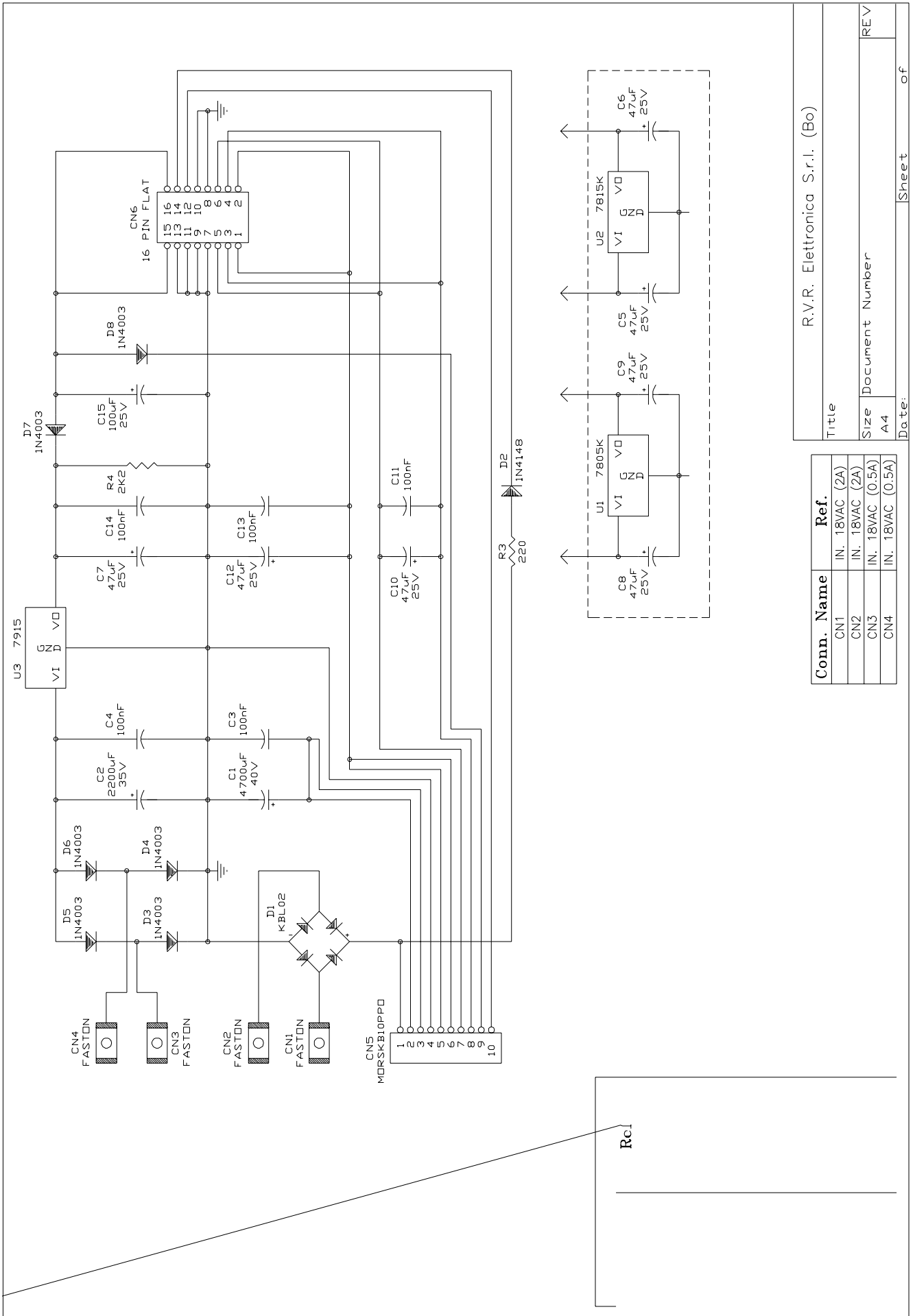
WIRING DIAGRAM /
 DIAGRAMMA DI CONNESSIONE DELLE SCHEDE

POWER SUPPLY

<u>1</u>	<u>Circuit Diagram</u>	<u>Pag. 95</u>
<u>2</u>	<u>Bill of Material</u>	<u>Pag. 96</u>
<u>3</u>	<u>Component Layout</u>	<u>Pag. 97</u>

POWER SUPPLY

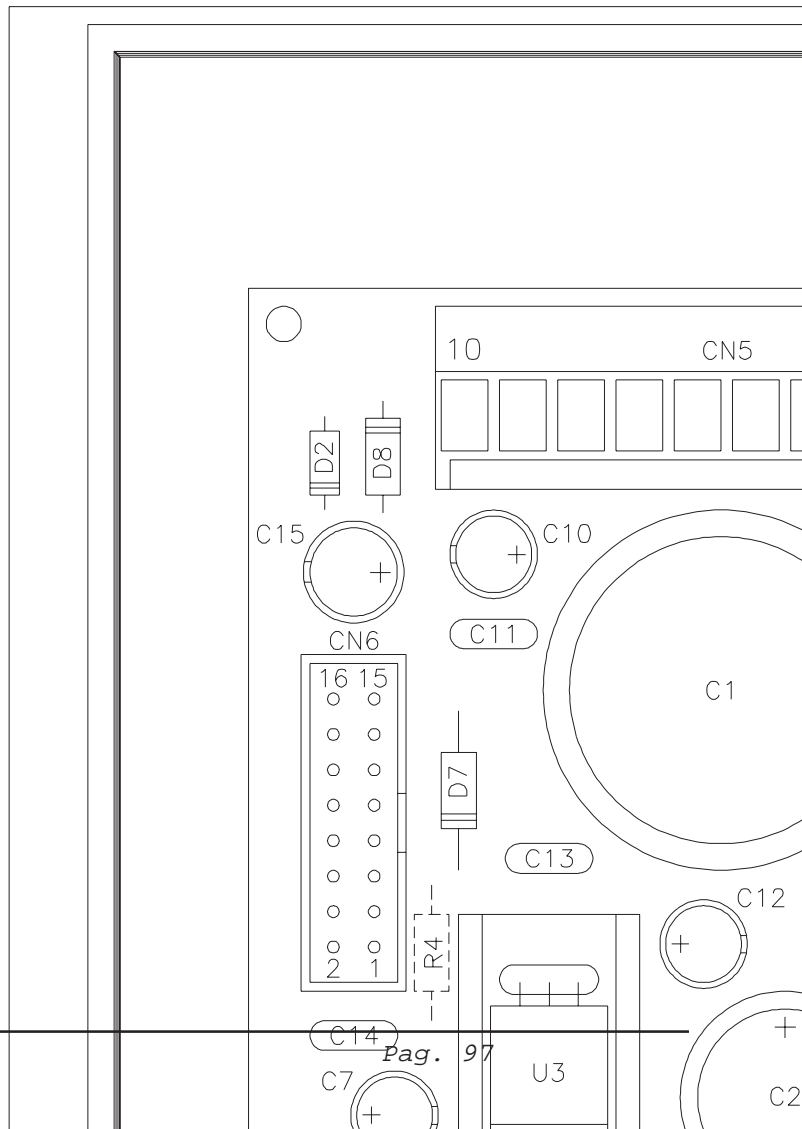
<u>1</u>	<u>Schema Elettrico</u>	<u>Pag. 95</u>
<u>2</u>	<u>Lista dei Componenti</u>	<u>Pag. 96</u>
<u>3</u>	<u>Piano di Montaggio</u>	<u>Pag. 97</u>



Conn. Name	Ref.
CN1	IN. 18VAC (2A)
CN2	IN. 18VAC (2A)
CN3	IN. 18VAC (0.5A)
CN4	IN. 18VAC (0.5A)

Title		R.V.R. Elettronica S.r.l. (Bo)	
Size	A4	Document Number	REV
Date:		Sheet	of

Item	Quantity	Reference Part	Description	Part Order Code
1	1	R3 220	RESISTOR 1/4W 5%	RSC1/4JH0220
2	1	R4 2K2	RESISTOR 1/4W 5%	RSC1/4JK02,2
3	5	C3,C4,C11, 100nF C13,C14	CERAMIC CAPACITOR	CKM104BK600P
4	7	C5,C6,C7, 47µF C8,C9,C10, C12	ELECTROLYTIC CAPACITOR	CEA476BM630
5	1	C15 100µF	ELECTROLYTIC CAPACITOR	CEA107BM350
6	1	C2 2200µF	ELECTROLYTIC CAPACITOR	CEA228CM350
7	1	C1 4700µF	ELECTROLYTIC CAPACITOR	CEA478GM630
8	4	CN1,CN2, FASTON CN3,CN4	CONN. FASTON M C.S.	CNTFSTMCSGR
9	1	CN5 MORSKB10PPO	MORS. LUMBERG F. CS 10P MORSKB10PPO	
10	1	CN6 16 PIN FLAT	CONN. F 2*8 PER FLAT C.	CNTFVLF16P
11	1	D2 1N4148	SILICON DIODE	DIS1N4148
12	6	D3,D4,D5, 1N4003 D6,D7,D8	SILICON DIODE 200V	DIS1N4003
13	1	D1 KBL02	DIODE BRIDGE 4A	PNRKBL02
14	1	U1 7805K	POS. STABILIZER 1.5A	CIL7805K
15	1	U2 7815K	POS. STABILIZER 1.5A	CIL7815K
16	1	U3 7915	NEG. STABILIZER 1A	CIL7915P

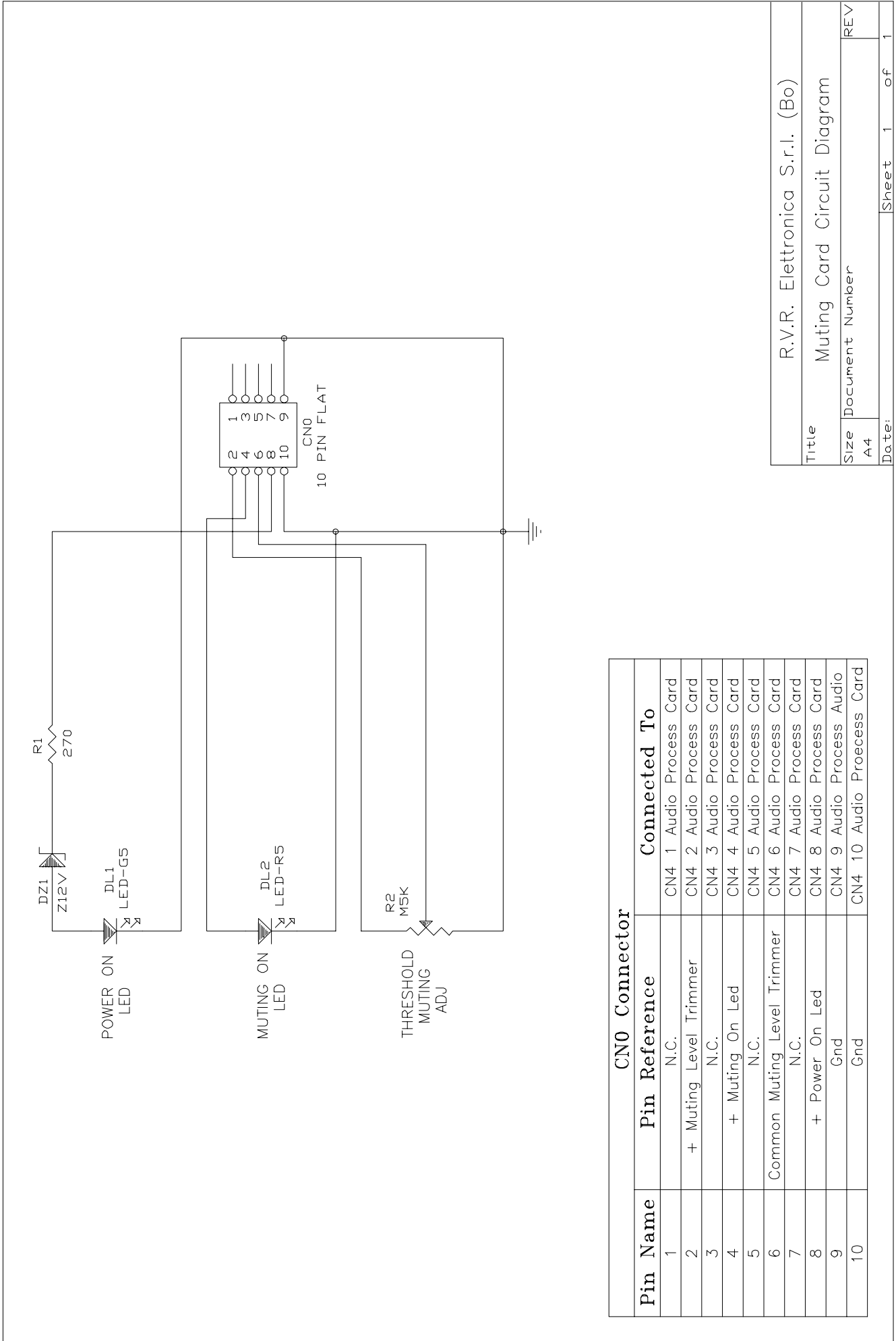


MUTING CARD

<u>1</u>	<u>Circuit Diagram</u>	<u>Pag. 99</u>
<u>2</u>	<u>Bill of Material</u>	<u>Pag. 100</u>
<u>3</u>	<u>Component Layout</u>	<u>Pag. 101</u>

MUTING CARD

<u>1</u>	<u>Schema Elettrico</u>	<u>Pag. 90</u>
<u>2</u>	<u>Lista dei Componenti</u>	<u>Pag. 100</u>
<u>3</u>	<u>Piano di Montaggio</u>	<u>Pag. 101</u>



CN0 Connector		
Pin Name	Pin Reference	Connected To
1	N.C.	CN4 1 Audio Process Card
2	+ Muting Level Trimmer	CN4 2 Audio Process Card
3	N.C.	CN4 3 Audio Process Card
4	+ Muting On Led	CN4 4 Audio Process Card
5	N.C.	CN4 5 Audio Process Card
6	Common Muting Level Trimmer	CN4 6 Audio Process Card
7	N.C.	CN4 7 Audio Process Card
8	+ Power On Led	CN4 8 Audio Process Card
9	Gnd	CN4 9 Audio Process Audio
10	Gnd	CN4 10 Audio Process Card

R.V.R. Elettronica S.r.l. (Bo)

Muting Card Circuit Diagram

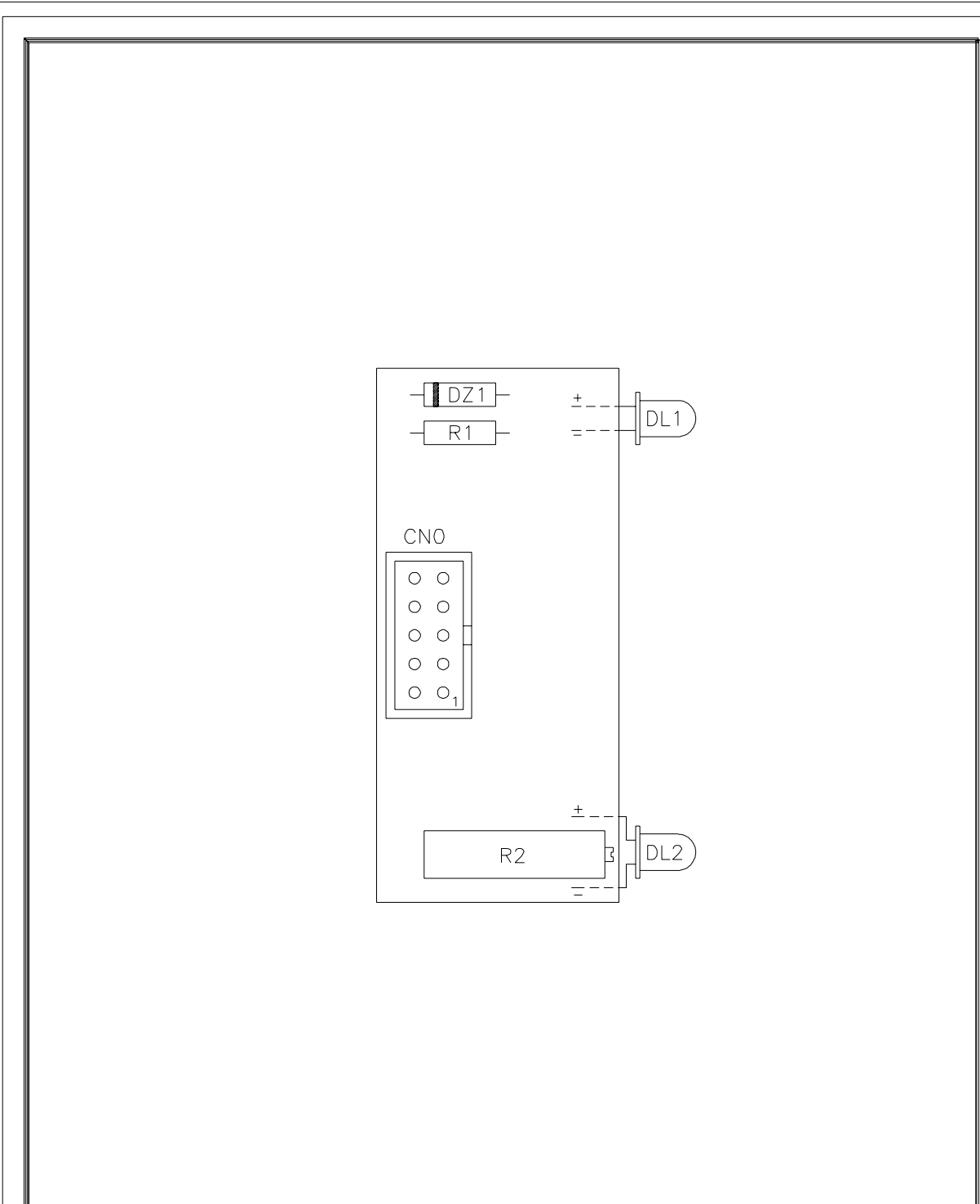
Title
Size A4
Document Number
REV


Date:

Sheet 1 of 1

Muting Card Bill Of Materials/Lista Componneti Pag. 1

Item	Quantity	Reference Part	Description	Part Order Code
1	1 R1	270	RESISTOR 1/4W 5%	RSC1/4JH0270
2	1 R2	M5K	TRIMMER MULTIGIRI	RVTMULAK0005
3	1 CN0	10 PIN FLAT	CONN. F 2*5 PER FLAT C.	CNTFVLF10P
4	1 DL2	LED-R5	RED LED DIODE	LEDRO05
5	1 DL1	LED-G5	GREEN LED DIODE	LEDVE05
6	1 DZ1	Z12V	ZENER DIODE 12V 0.4W	DIZ12V0W4



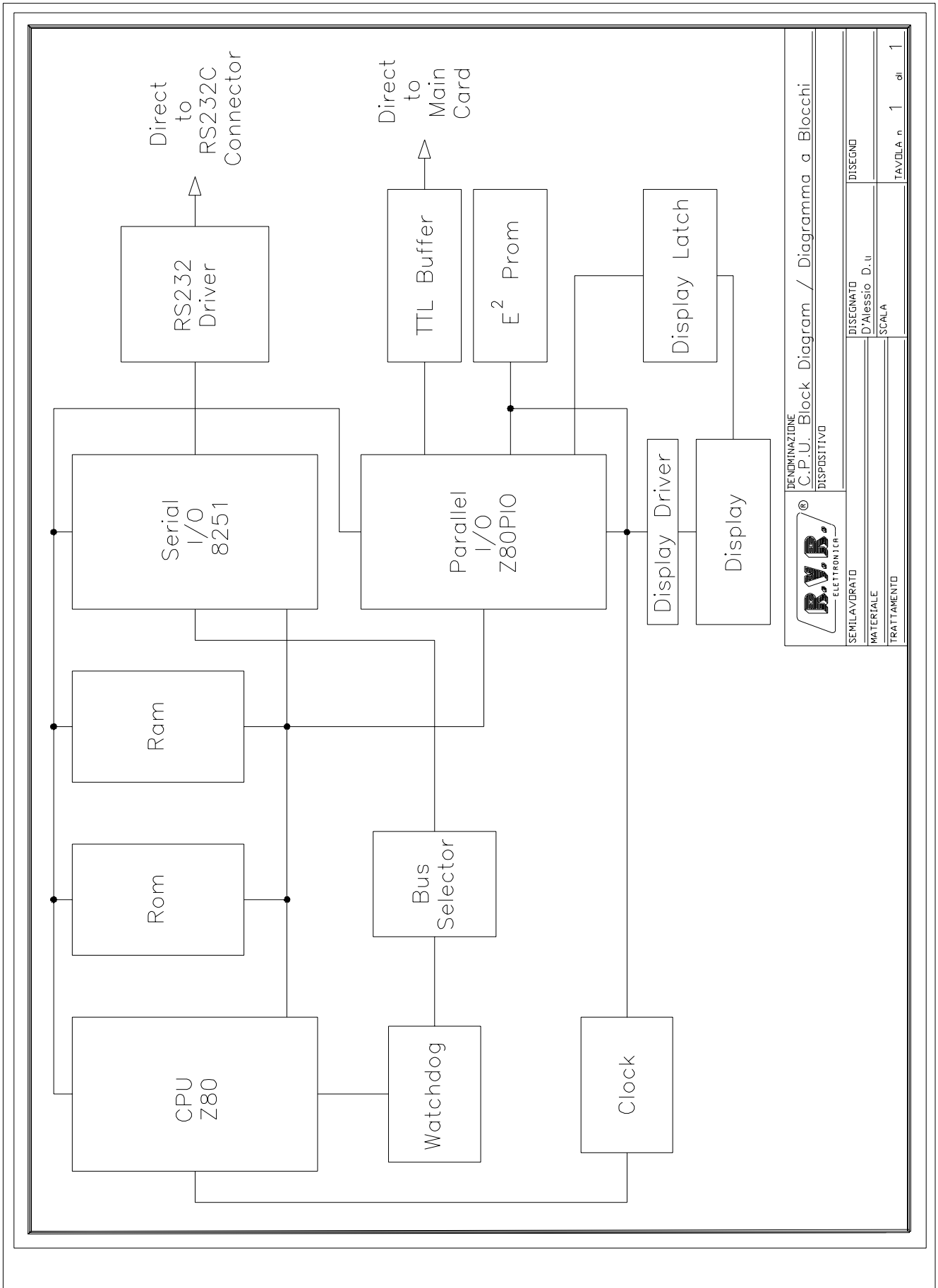
	DENOMINAZIONE	
	Muting Card Component Layout / Piano di Montaggio	
DISPOSITIVO		
SEMILAVORATO	DISEGNATO	DISEGNO
MATERIALE	D'Alessio D. U	
TRATTAMENTO	SCALA	TAVOLA n 1 di 1

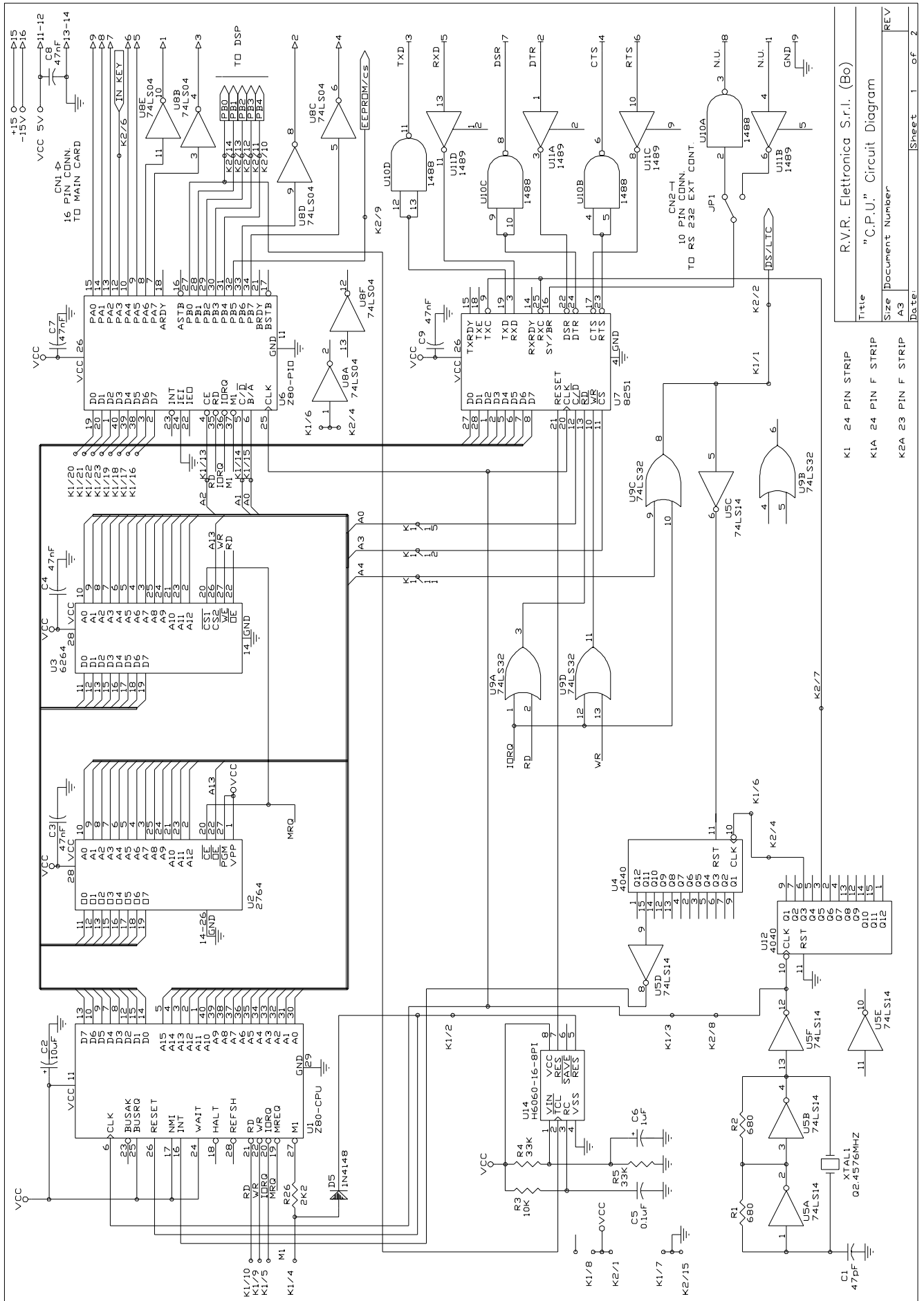
C.P.U.

<u>1</u>	<u>Block Diagram</u>	<u>Pag. 103</u>
<u>2</u>	<u>Circuit Diagram</u>	<u>Pag. 104</u>
<u>3</u>	<u>Bill of Material</u>	<u>Pag. 106</u>
<u>4</u>	<u>Component Layout</u>	<u>Pag. 108</u>

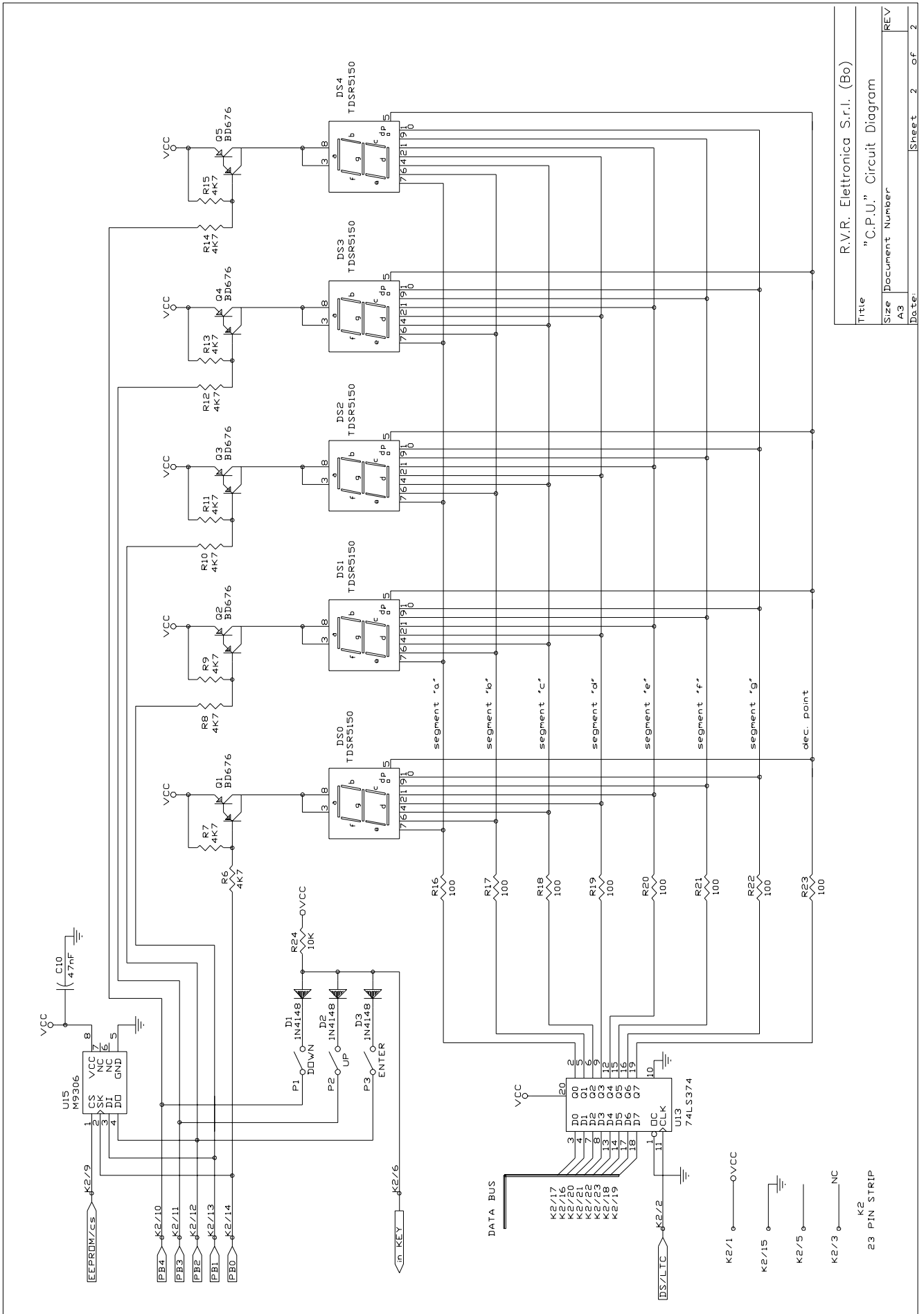
C.P.U.

<u>1</u>	<u>Diagramma a Blocchi</u>	<u>Pag. 103</u>
<u>2</u>	<u>Schema Elettrico</u>	<u>Pag. 104</u>
<u>3</u>	<u>Lista dei Componenti</u>	<u>Pag. 106</u>
<u>4</u>	<u>Piano di Montaggio</u>	<u>Pag. 108</u>





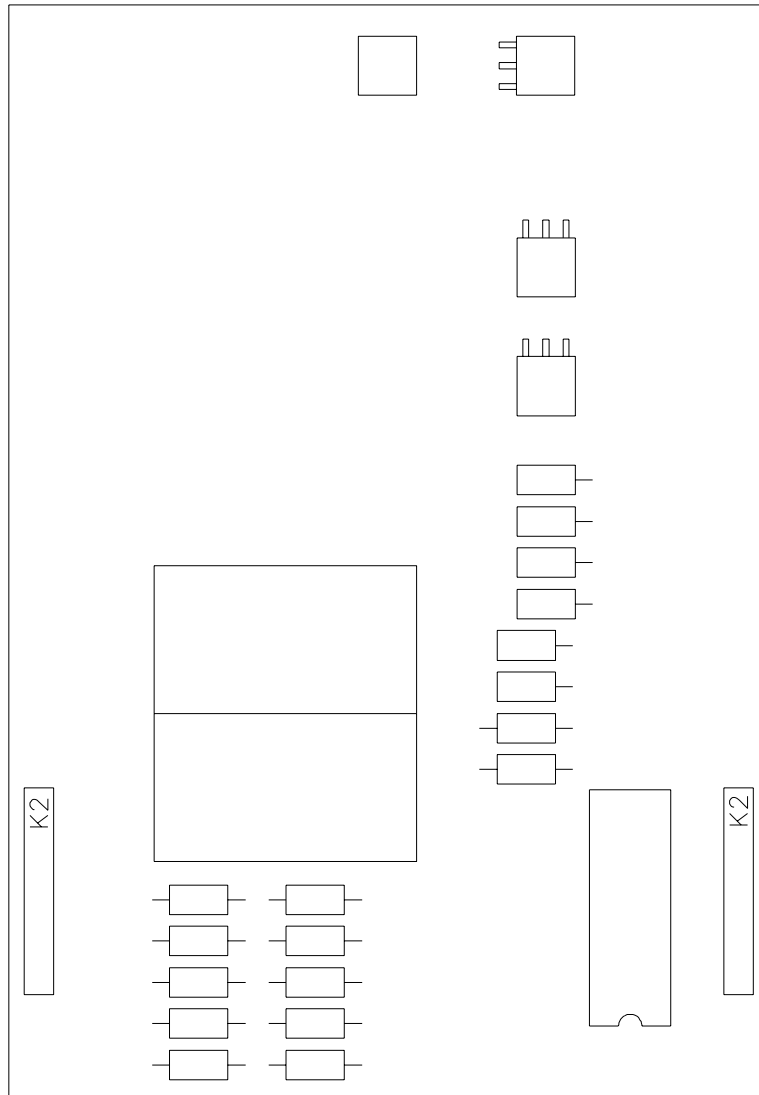
R.V.R. Elettronica S.r.l. (Bo)	
Title	"C.P.U." Circuit Diagram
Size	Document Number
Date:	Sheet 1 of 2

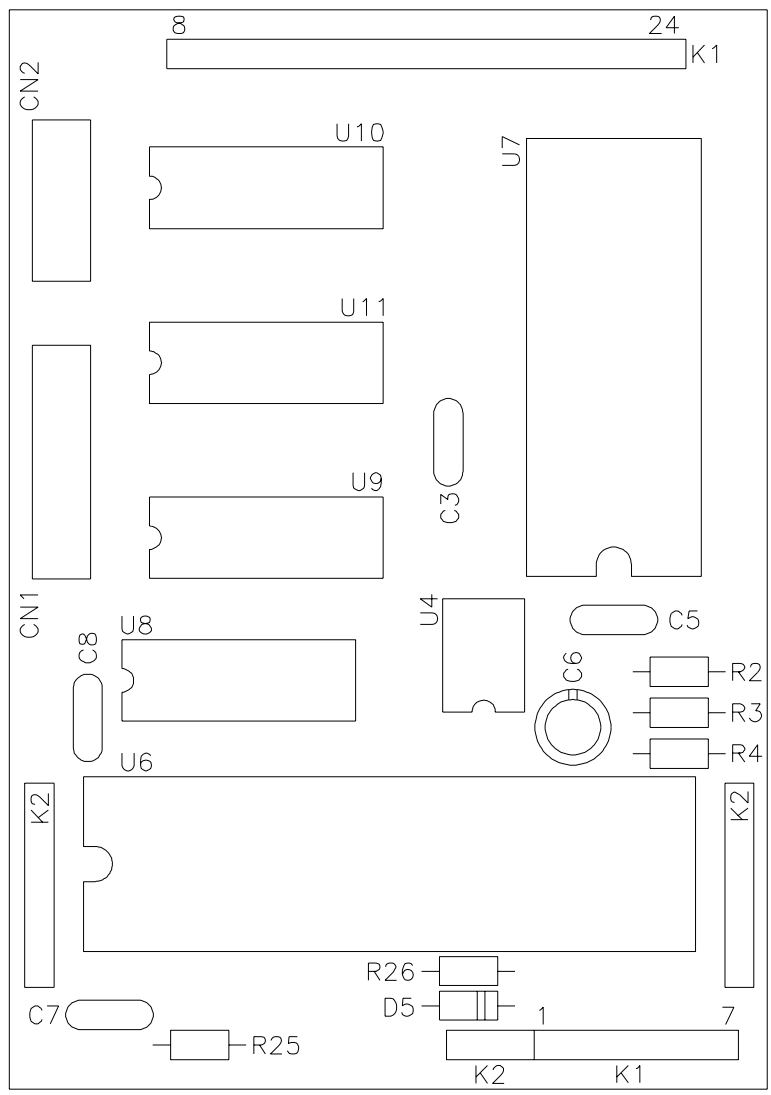



R.V.R. Elettronica S.r.l. (Bo)	
Title "C.P.U." Circuit Diagram	
Size A3	Document Number REV
Date:	Sheet 2 of 2

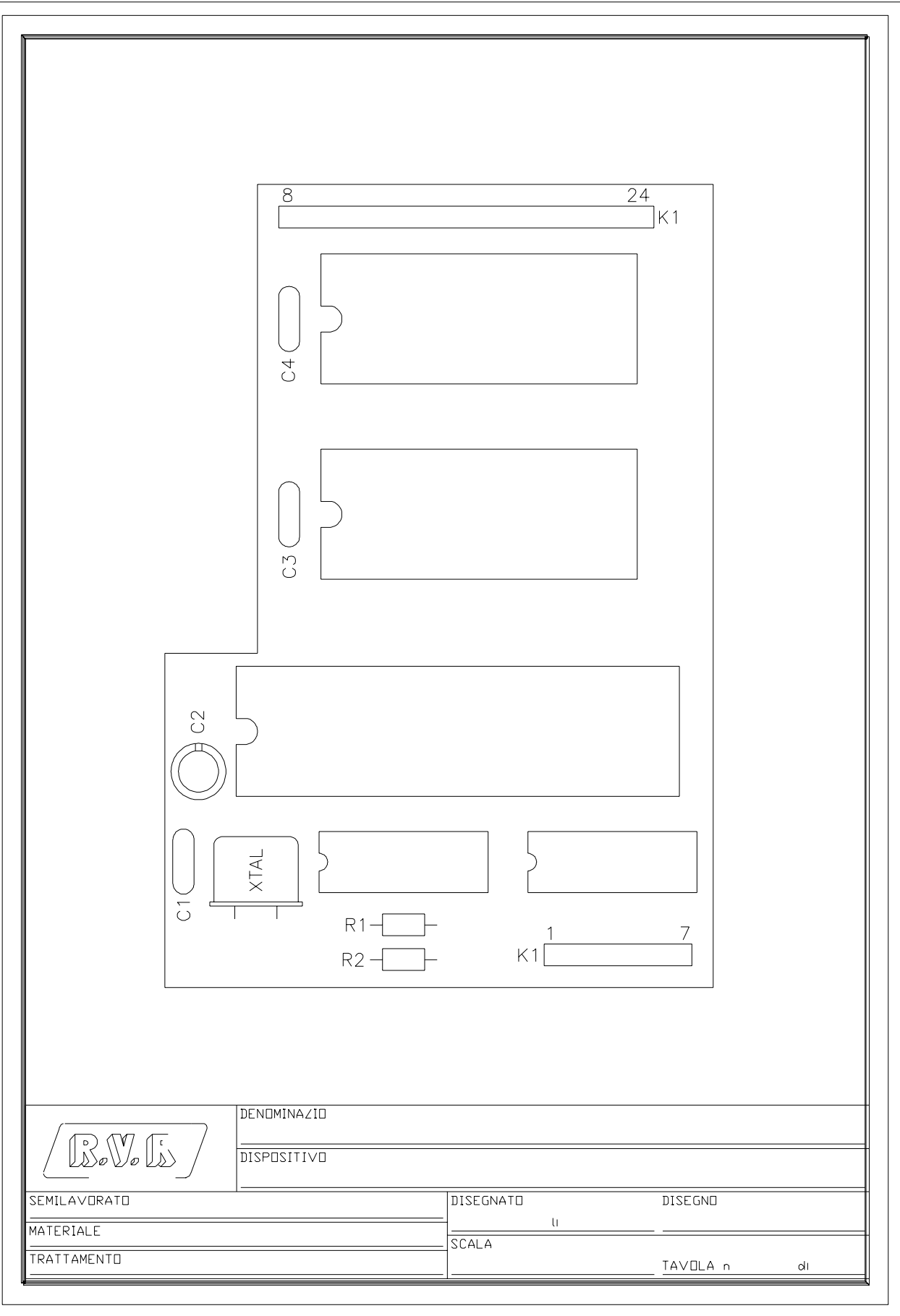
C.P.U.		Bill of Materials/Lista Componenti		Pag. 1
Item	Quantity	Reference Part	Description	Part Order Code
1	2	R1,R2	680 RESISTOR 1/4W 5%	RSC1/4JH0680
2	1	R3	10K RESISTOR 1/4W 5%	RSC1/4JK0010
3	2	R4,R5	33K RESISTOR 1/4W 5%	RSC1/4JK0033
4	1	C1	47pF CERAMIC CAPACITOR NP0	CKM470BJ600C
5	5	C3,C4,C7, C8,C9	47NF CERAMIC CAPACITOR	CKM473BK600P
6	1	C5	0.1µF CERAMIC CAPACITOR	CKM104BK600P
7	1	C6	1µF ELECTROLYTIC CAPACITOR	CEA105AM630
8	1	C2	10µF ELECTROLYTIC CAPACITOR	CEA106AM350
9	1	K1	24P STRIP STRIP M P 2.54 24 PIN	CNTSTRIPMCS
10	1	K2A	23P F STRIP STRIP F P 2.54 23 PIN	CNTSTRIPFCS
11	1	K1A	24P F STRIP STRIP F P 2.54 24 PIN	CNTSTRIPFCS
12	1	CN2	10P CONN. CONN. M 2*5 P 2.54	CNTMCSFC10P
13	1	CN1	16P CONN. CONN. M 2*8 P 2.54	CNTMCSFC16P
14	1	XTAL1	Q2.4576MHZ CRYSTAL	QRZ2,45HC18
15	1	U10	1488 TTL LEV SHIFT TTL RS232	CID1488
16	1	U11	1489 TTL LEV SHIFT TTL RS232	CID1489
17	2	U4,U12	4040 CMOS DIVIDER	CID4040
18	1	U8	74LS04 TTL HEX INVERTER	CID74LS04
19	1	U5	74LS14 TTL HEX INVERT. TRIGGER	CID74LS14
20	1	U9	74LS32 TTL QUAD OR	CID74LS32
21	1	U1	Z80-CPU CPU	CIDZ80CPU
22	1	U6	Z80-PIO PARALLEL I/O PORT	CIDZ80PIO
23	1	U7	8251 SERIAL I/O PORT	CID8251
24	1	U3	6264 RAM MEMORY 8KBYTE	CID6264
25	1	U2	2764 EPROM MEMORY 8KBYTE	CID2764
26	1	U14	H606016-8PI STANDALONE WATCHDOG	CIDH606016
27	1	ZC1	ZOC8 ZOCCOLO INTEGRATO 8P	ZIN08
28	5	ZC2,ZC3, ZC4,ZC5,ZC6	ZOC14 ZOCCOLO INTEGRATO 14P	ZIN14

C.P.U.		Bill of Materials/Lista Componenti		Pag. 2
Item	Quantity	Reference Part	Description	Part Order Code
29	2	ZC7,ZC8	ZOC16	ZOCCOLO INTEGRATO 16P ZIN16
30	3	ZC9,ZC10, ZC11	ZOC28	ZOCCOLO INTEGRATO 28P ZIN28
31	2	ZC12,ZC13	ZOC40	ZOCCOLO INTEGRATO 40P ZIN40
32	1	CS2	CPU2	CS I/O CPU 2-1 (2-2) PCBCPU2
33	1	SW1	WIRE JUMPER	PONTICELLO A FILO WIREJUMPER
34	2	JP1,R25	N.C.	NOT CONNECTED
35	8	R16,R17, R18,R19, R20,R21, R22,R23	100	RESISTOR 1/4W 5% RSC1/4JH0100
36	10	R6,R7,R8, R9,R10,R11, R12,R13, R14,R15	4K7	RESISTOR 1/4W 5% RSC1/4JK04,7
37	1	R24	10K	RESISTOR 1/4W 5% RSC1/4JK0010
38	1	C10	47nF	CERAMIC CAPACITOR CKM473BK600P
39	1	K2	23P STRIP STRIP M P 2.54 23 PIN	CNTSTRIPMCS
40	3	P1,P2,P3	PIV 2P	PULSANTE 1 VIA 2 POS PLS1V11M03CS
41	3	D1,D2,D3	1N4148	SILICON DIODE DIS1N4148
42	5	DS1,DS2, DS3,DS4,DS0	TDSR5150	7 SEGM. DISPLAY DSPAC14RO
43	5	Q1,Q2,Q3, Q4,Q5	BD676	PNP DARLINGTON TRNBD676
44	1	U13	74LS374	TTL LATCH CID74LS374
45	1	U15	M9306	EEPROM 256BIT CIDM9306
46	1	ZC14	ZOC8	ZOCCOLO INTEGRATO 8P ZIN08
47	1	ZC15	ZOC20	ZOCCOLO INTEGRATO 20P ZIN20
48	2	ZC16,ZC17	ZOC24	ZOCCOLO INTEGRATO 24P ZIN24
49	2	ZC18,ZC19	ZOC28	ZOCCOLO INTEGRATO 28P ZIN28
50	1	CS3	CPU3	CS DISPL PULS CPU 3-1 PCBCPU3





	DENOMINAZIONE	
	C.P.U. Component Layout / Piano di Montaggio	
DISPOSITIVO		
SEMILAVORATO	DISEGNATO	DISEGNO
MATERIALE	D'Alessio D.ii	
TRATTAMENTO	SCALA	
		TAVOLA n 2 di 3

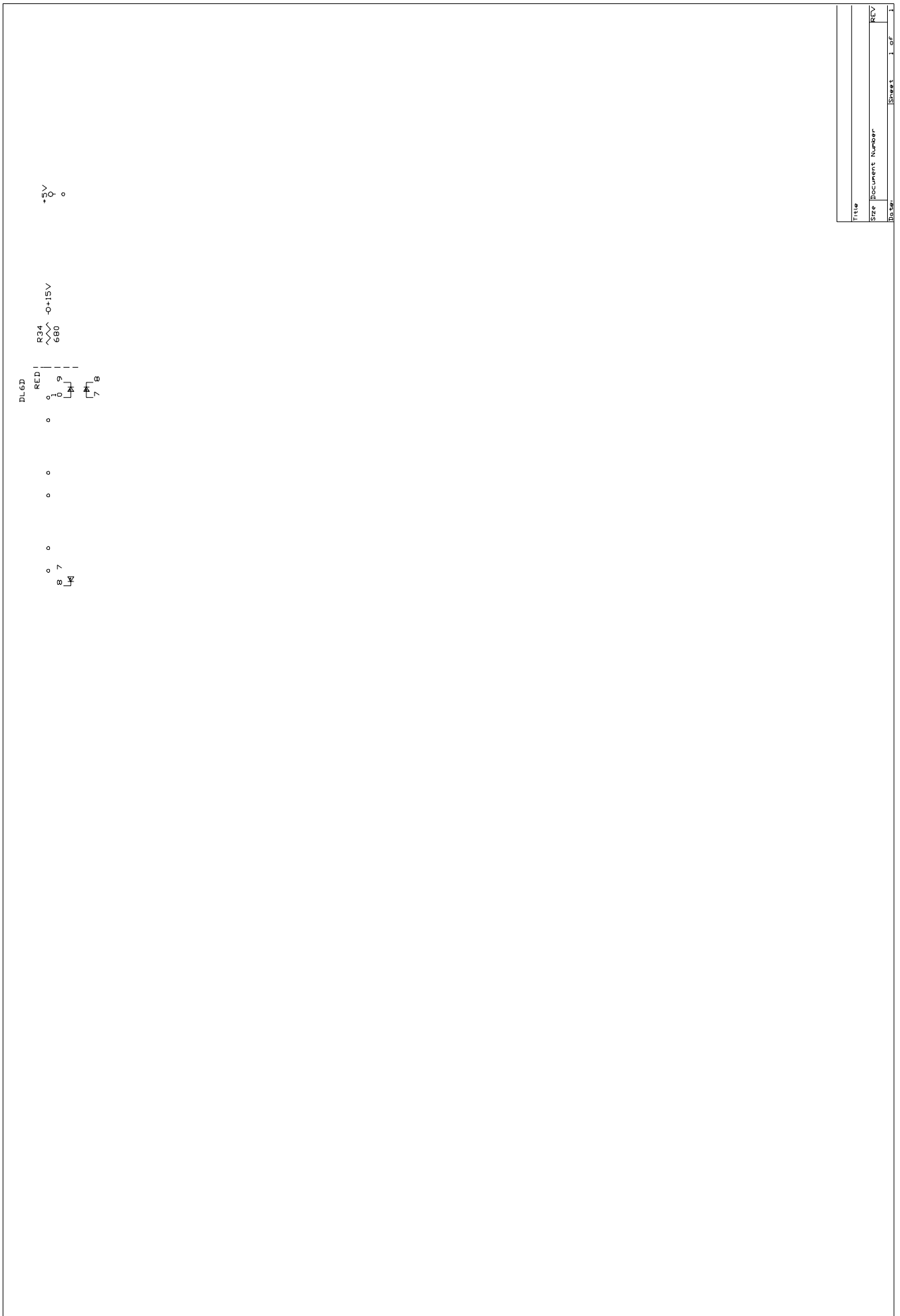


MODMETER CARD

<u>1</u>	<u>Circuit Diagram</u>	<u>Pag. 112</u>
<u>2</u>	<u>Bill of Material</u>	<u>Pag. 113</u>
<u>3</u>	<u>Component Layout</u>	<u>Pag. 115</u>

MODMETER CARD

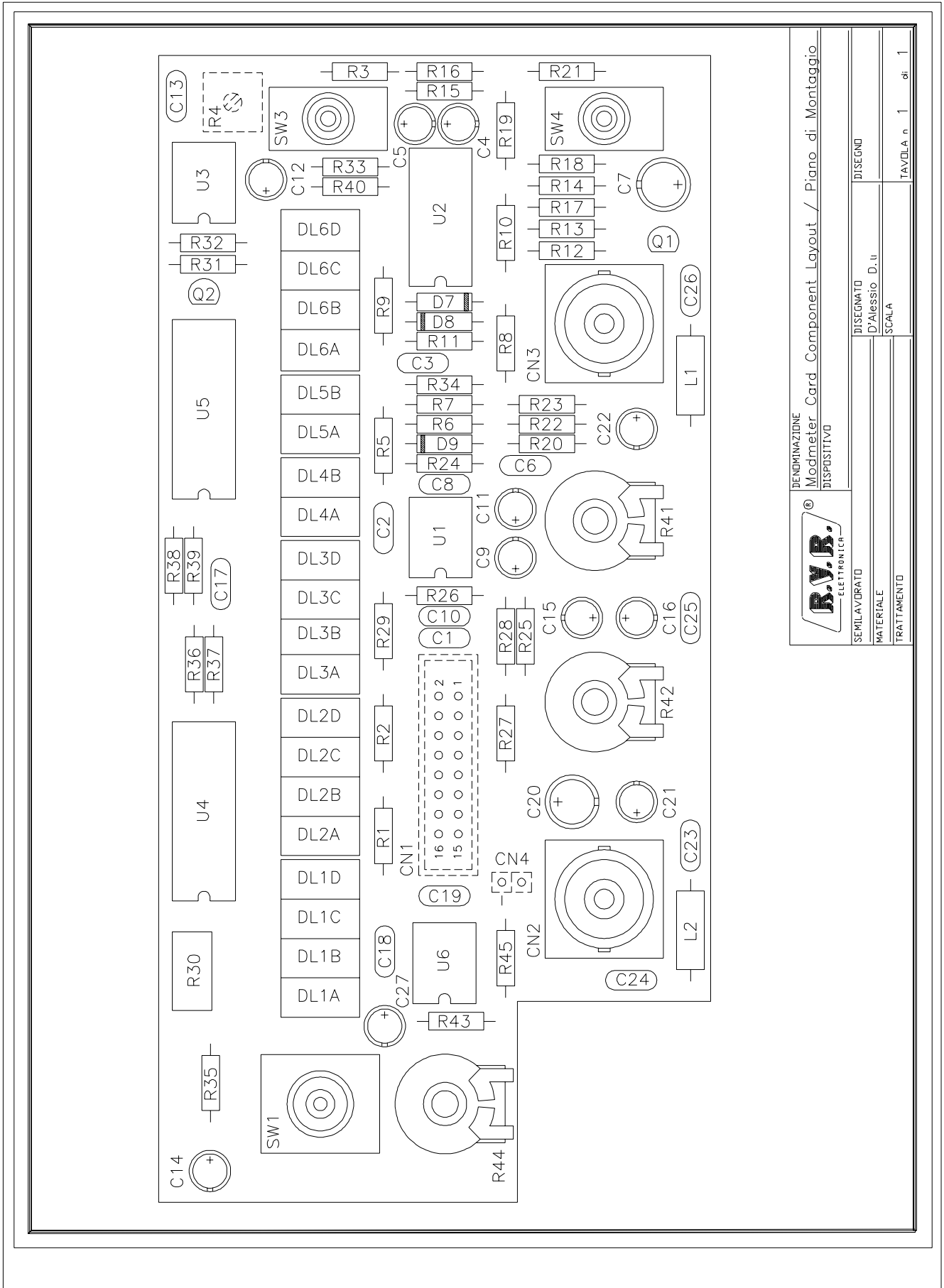
<u>1</u>	<u>Schema Elettrico</u>	<u>Pag. 112</u>
<u>2</u>	<u>Lista dei Componenti</u>	<u>Pag. 113</u>
<u>3</u>	<u>Piano di Montaggio</u>	<u>Pag. 115</u>



Title	
Size	Document Number
Page	Sheet 1 of 1

Item	Quantity	Reference Part	Description	Part Order Code
1	3	R19,R22,R45 10	RESISTOR 1/4W 5%	RSC1/4JH0010
2	5	R17,R18, 15 R21,R25,R28	RESISTOR 1/4W 5%	RSC1/4JH0015
3	1	R37 100	RESISTOR 1/4W 5%	RSC1/4JH0100
4	1	R32 560	RESISTOR 1/4W 5%	RSC1/4JH0560
5	1	R34 680	RESISTOR 1/4W 5%	RSC1/4JH0680
6	3	R3,R36,R40 1K	RESISTOR 1/4W 5%	RSC1/4JK0001
7	2	R38,R39 1K2	RESISTOR 1/4W 5%	RSC1/4JK01,2
8	1	R29 2K2	RESISTOR 1/4W 5%	RSC1/4JK02,2
9	2	R10,R23 4K7	RESISTOR 1/4W 5%	RSC1/4JK04,7
10	6	R12,R13, 10K 1% R14,R15, R16,R20	RESISTOR 1/4W 1%	RSM1/4FK0010
11	7	R5,R7,R8, 10K R11,R26, R31,R35	RESISTOR 1/4W 5%	RSC1/4JK0010
12	1	R2 22K	RESISTOR 1/4W 5%	RSC1/4JK0022
13	4	R1,R6,R9, 100K R33	RESISTOR 1/4W 5%	RSC1/4JK0100
14	1	R43 180K	RESISTOR 1/4W 5%	RSC1/4JK0180
15	1	R27 1M	RESISTOR 1/4W 5%	RSC1/4JM0001
16	1	R24 10M	RESISTOR 1/4W 5%	RSC1/4JM0010
17	1	R4 TC500	TRIM. REG. VERT. CERMET RVT CERVH0500	
18	2	R41,R42 TL1K	TRIMMER REG. VERT. 15mm RVT D15VK0001	
19	1	R44 TL10K	TRIMMER REG. VERT. 15mm RVT D15VK0010	
20	1	R30 HC5K	TRIM. REG. ORIZ. CERMET RVT CEROK0005	
21	3	ALB1,ALB2, ALB ALB3	ALBERINO TRIMMER 15mm	ALBERINOXRVT
22	3	C1,C3,C6 5p6	CERAMIC CAPACITOR NP0	CKM5,6BJ600C
23	2	C2,C10 33pF	CERAMIC CAPACITOR NP0	CKM330BJ600C
24	4	C23,C24, 39pF C25,C26	CERAMIC CAPACITOR NP0	CKM390BJ600C
25	1	C8 22nF	CERAMIC CAPACITOR	CKM223BK600P

Item	Quantity	Reference Part	Description	Part Order Code
26	1	C19	47nF CERAMIC CAPACITOR	CKM473BK600P
27	2	C13,C17	0.1µF CERAMIC CAPACITOR	CKM104BK600P
28	9	C4,C5,C9, C11,C12, C14,C15, C16,C18	10µF ELECTROLYTIC CAPACITOR	CEA106AM350
29	3	C21,C22,C27	47µF ELECTROLYTIC CAPACITOR	CEA476BM630
30	2	C7,C20	100µF ELECTROLYTIC CAPACITOR	CEA107BM350
31	2	L1,L2	VK200 RF CHOKE	IMPVK200
32	1	CN4	2P CONN. CONN. M 2*1 P 2.54	CNTM2PCS
33	1	CN1	16P CONN. CONN. M 2*8 P 2.54	CNTMCSFC16P
34	2	CN2,CN3	BNC IS. CS CONN. BNC A STAMP. IS.	CNTBNCFCISIS
35	2	SW3,SW4	1V 2P DEVIATORE 1 VIA 2 POS	DEV1V1103CS
36	1	SW1	2V 2P DEVIATORE 2 VIE 2 POS	DEV2V1103CS
37	3	D7,D8,D9	1N4148 SILICON DIODE	DIS1N4148
38	1	DL5	HLMP2600 2 RED LED DIODE	LEDHLMP2600
39	1	DL6	HLMP2620 4 RED LED DIODE	LEDHLMP2620
40	1	DL4	HLMP2800 2 GREEN LED DIODE	LEDHLMP2800
41	3	DL1,DL2,DL3	HLMP2820 4 GREEN LED DIODE	LEDHLMP2820
42	1	Q2	BC237 NPN TRANSISTOR	TRNBC237
43	1	Q1	BCY59 NPN TRANSISTOR	TRNBCY59
44	1	U1	TL082 DOUBLE OP. AMP.	CILTTL082
45	1	U2	TL074 QUAD OP. AMP.	CILTTL074
46	1	U6	LM386 LOW POWER AMPLIFIER	CILLM386
47	1	U3	LM555 TIMER	CIL555
48	2	U4,U5	LM3914 BAR DOT LED DRIVER	CILLM3914

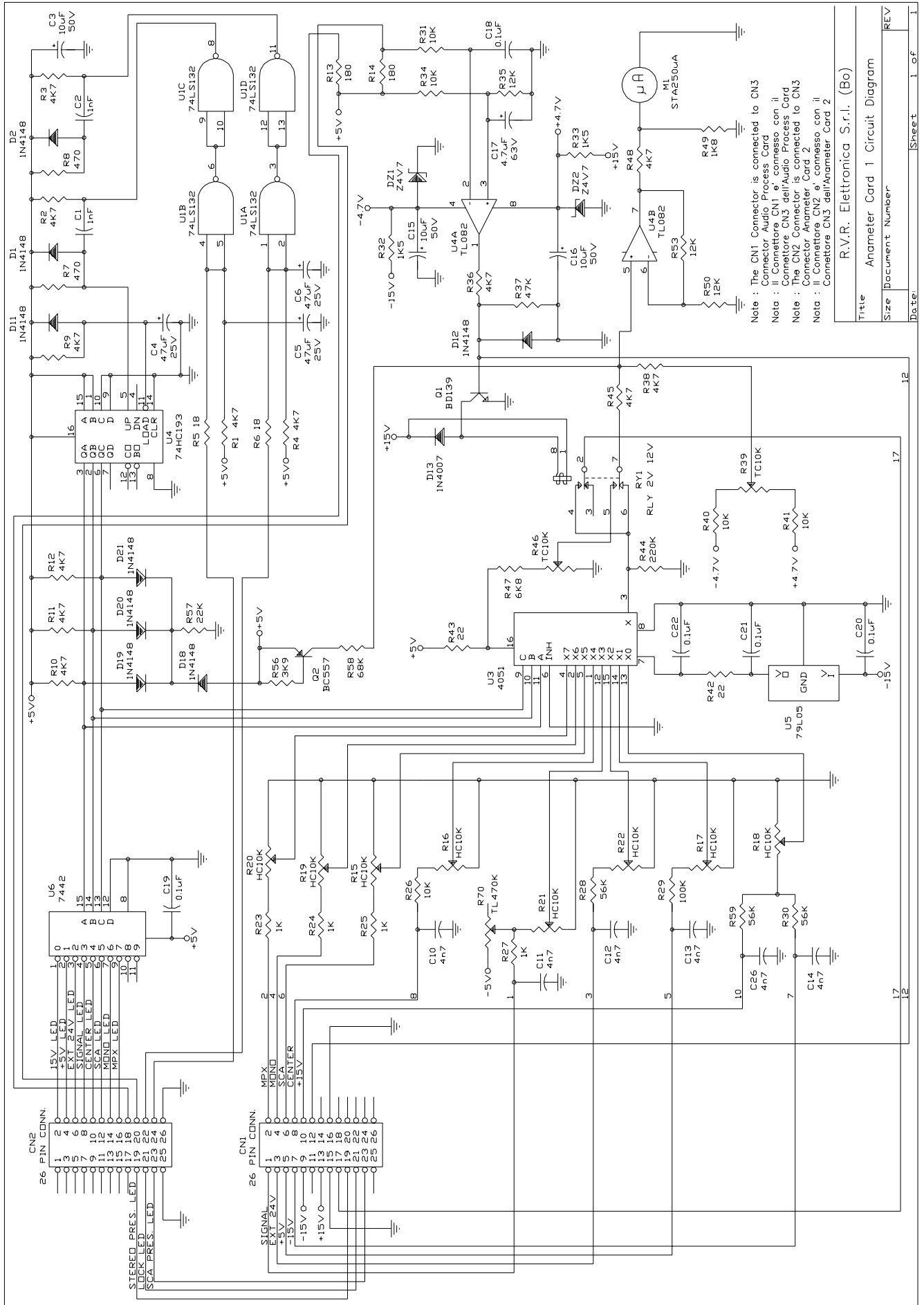


ANAMETER CARD

- 1 Anameter Card 1 Circuit Diagram Pag. 117
- 2 Anameter Card 1 Bill of Material
Pag. 118
- 3 Anameter Card 1 Component Layout
Pag. 120
- 4 Anameter Card 2 Circuit Diagram Pag. 121
- 5 Anameter Card 2 Bill of Material
Pag. 122
- 6 Anameter Card 2 Component Layout
Pag. 123

ANAMETER CARD

- 1 Schema Elettrico della Scheda Anameter 1
Pag. 117
- 2 Lista dei Componenti della Scheda Anameter 1
Pag. 118
- 3 Piano di Montaggio della Scheda Anameter 1
Pag. 120
- 4 Schema Elettrico della Scheda Anameter 2
Pag. 121
- 5 Lista dei Componenti della Scheda Anameter 2
Pag. 122
- 6 Piano di Montaggio della Scheda Anameter 2
Pag. 123

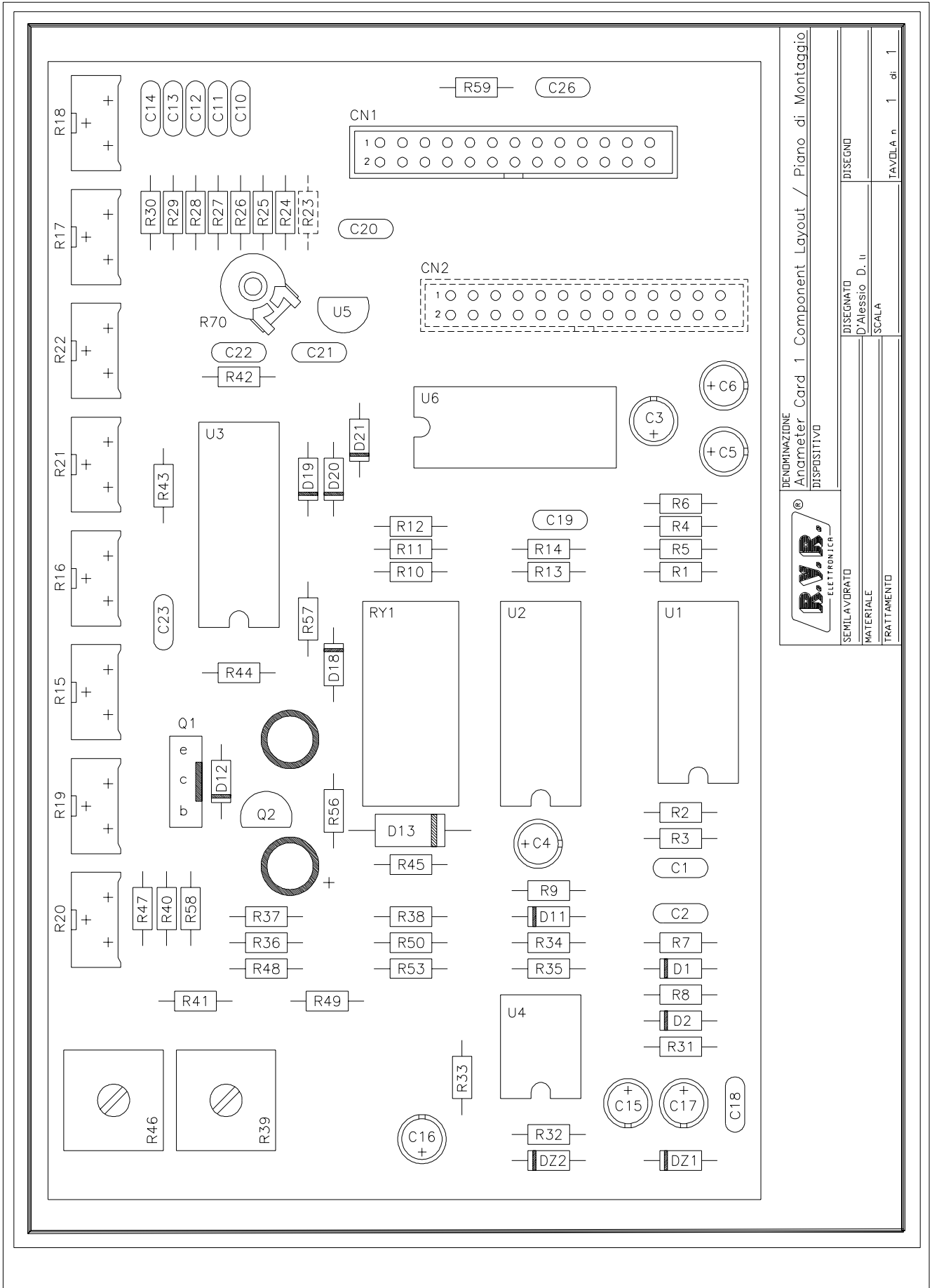


Note : The CN1 Connector is connected to CN3
 Note : Il Connettore CN1 e' connesso con il Connettore CN3 dell'Audio Process Card
 Note : The CN2 Connector is connected to CN3
 Note : Il Connettore CN2 e' connesso con il Connettore CN3 dell'Anameter Card 2

R.V.R. Elettronica S.r.l. (Bo)	
Title	Anameter Card 1 Circuit Diagram
Size	Document Number
REV	Date
1	1 of 1

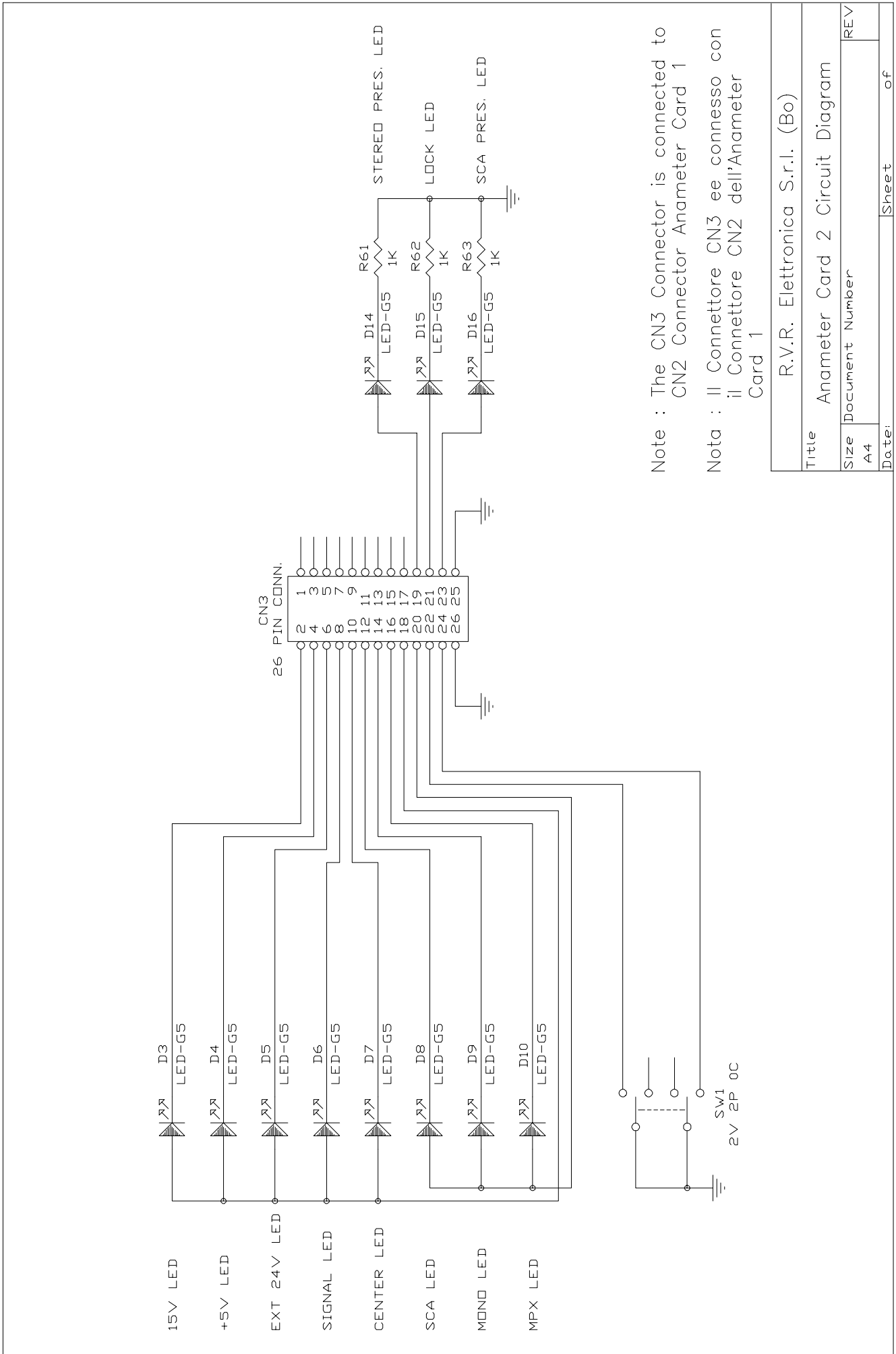
Item	Quantity	Reference Part	Description	Part Order Code
1	2	R5,R6	18 RESISTOR 1/4W 5%	RSC1/4JH0018
2	2	R42,R43	22 RESISTOR 1/4W 5%	RSC1/4JH0022
3	2	R13,R14	180 RESISTOR 1/4W 5%	RSC1/4JH0180
4	2	R7,R8	470 RESISTOR 1/4W 5%	RSC1/4JH0470
5	4	R23,R24, R25,R27	1K RESISTOR 1/4W 5%	RSC1/4JK0001
6	2	R32,R33	1K5 RESISTOR 1/4W 5%	RSC1/4JK01,5
7	1	R49	1K8 RESISTOR 1/4W 5%	RSC1/4JK01,8
8	1	R56	3K9 RESISTOR 1/4W 5%	RSC1/4JK03,9
9	12	R1,R2,R3, R4,R9,R10, R11,R12, R36,R38, R45,R48	4K7 RESISTOR 1/4W 5%	RSC1/4JK04,7
10	1	R47	6K8 RESISTOR 1/4W 5%	RSC1/4JK06,8
11	5	R26,R31, R34,R40,R41	10K RESISTOR 1/4W 5%	RSC1/4JK0010
12	3	R35,R50,R53	12K RESISTOR 1/4W 5%	RSC1/4JK0012
13	1	R57	22K RESISTOR 1/4W 5%	RSC1/4JK0022
14	1	R37	47K RESISTOR 1/4W 5%	RSC1/4JK0047
15	3	R28,R30,R59	56K RESISTOR 1/4W 5%	RSC1/4JK0056
16	1	R58	68K RESISTOR 1/4W 5%	RSC1/4JK0068
17	1	R29	100K RESISTOR 1/4W 5%	RSC1/4JK0100
18	1	R44	220K RESISTOR 1/4W 5%	RSC1/4JK0220
19	2	R39,R46	TC10K TRIM. REG. VERT. CERMET RVTCEVVK0010	
20	1	R70	TL470K TRIMMER REG. VERT. 15mm RVTD15VK0470	
21	8	R16,R17, R18,R19, R20,R21, R22,R15	HC10K TRIM. REG. ORIZ. CERMET RVTCEVVK0010	
22	2	C1,C2	1nF CERAMIC CAPACITOR	CKM102BK600P
23	6	C10,C11, C12,C13, C14,C26	4n7 CERAMIC CAPACITOR	CKM472BK600P

Item	Quantity	Reference Part	Description	Part Order Code
24	5	C18,C19, 0.1 μ F C20,C21,C22	CERAMIC CAPACITOR	CKM104BK600P
25	1	C17 4.7 μ F	ELECTROLYTIC CAPACITOR	CEA475AM350
26	3	C3,C15,C16 10 μ F	ELECTROLYTIC CAPACITOR	CEA106AM350
27	3	C4,C5,C6 47 μ F	ELECTROLYTIC CAPACITOR	CEA476BM630
28	1	M1 STA250UA	STRUMENTO 250uA	SMABM55RQ251
29	2	CN1,CN2 26PCONN.	CONN. M 2*13 P 2.54	CNTMCSFC26P
30	1	RY1 RLY 2V 12V	RELAY 2 VIE 12V	RLDLFHA00212
31	8	D1,D2,D11, 1N4148 D12,D18, D19,D20,D21	SILICON DIODE	DIS1N4148
32	1	D13 1N4007	SILICON DIODE 1000V	DIS1N4007
33	2	DZ1,DZ2 Z4V7	ZENER DIODE 4.7V 0.4W	DIZ4V70W4
34	1	U5 79L05	NEG. STABILIZER 100mA	CIL79L05
35	1	Q2 BC557	PNP TRANSISTOR	TRNBC557
36	1	Q1 BD139	NPN TRANSISTOR	TRNBD139
37	1	U4 TL082	DOUBLE OP. AMP.	CILTTL082
38	1	U3 4051	ANALOG MULTIPLEXER	CID4051
39	1	U6 7442	TTL BCD DECODER	CID7442
40	1	U1 74LS132	TTL QUAD NAND TRIGGER	CID74LS132
41	1	U4 74HC193	CMOS BIN COUNTER	CID74HC193



DENOMINAZIONE Anameter Card 1 Component Layout / Piano di Montaggio	
SEMILAVORATO	DISSEGNO
MATERIALE	D'Alessio D. II
TRATTAMENTO	SCALA
TAVOLA n. 1	di 1



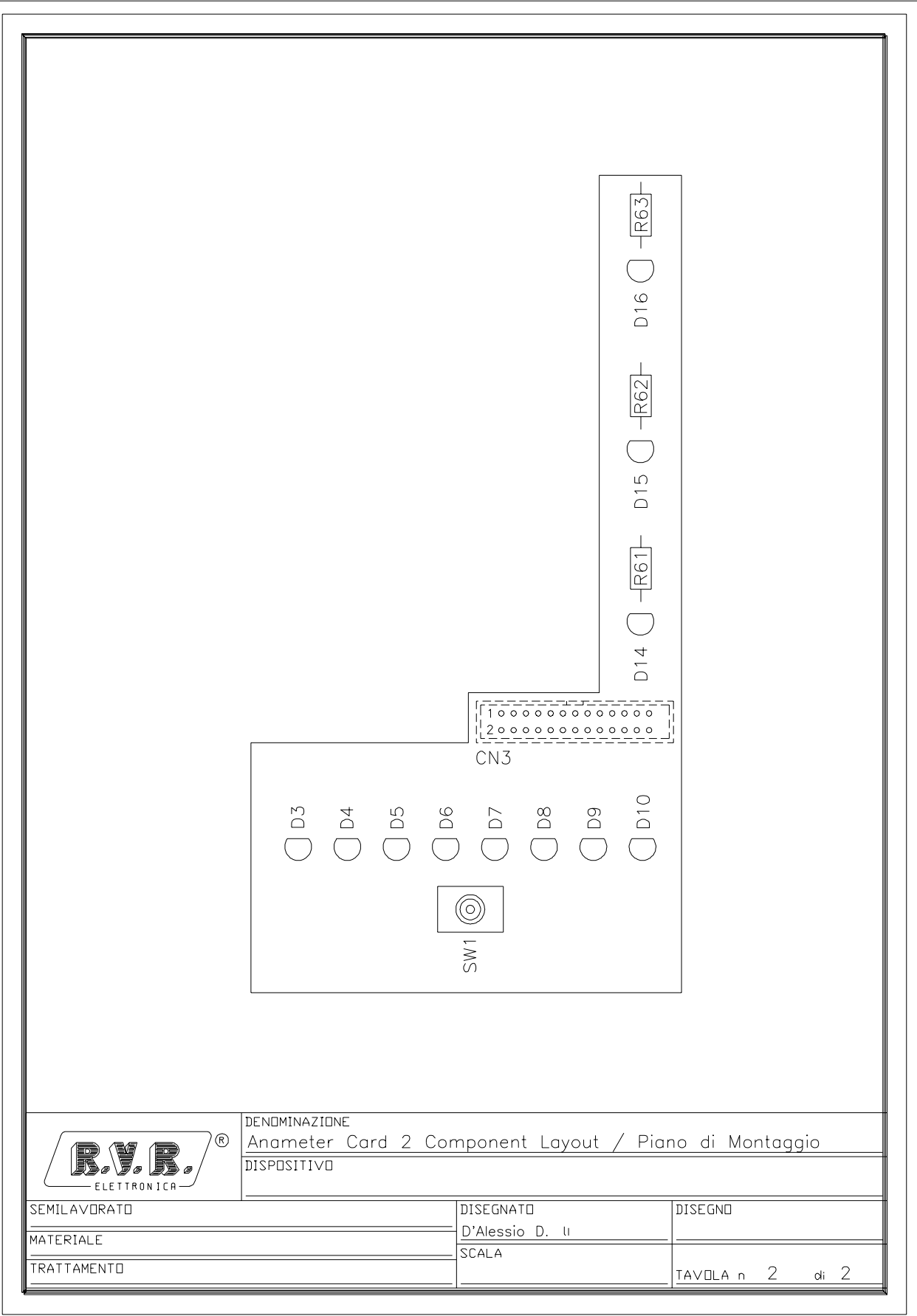



Note : The CN3 Connector is connected to CN2 Connector Anameter Card 1

Nota : Il Connettore CN3 è connesso con il Connettore CN2 dell'Anameter Card 1

Title		R.V.R. Elettronica S.r.l. (Bo)	
Document Number		Anameter Card 2 Circuit Diagram	
Size	REV		
A4			
Date:	Sheet	of	

Item	Quantity	Reference Part	Description	Part Order Code
1	3	R61,R62,R63 1K	RESISTOR 1/4W 5%	RSC1/4JK0001
2	1	CN3 26P	CONN. M 2*13 P 2.54	CNTMCSFC26P
3	1	SW1 2V 2P 0C	DEV. 2 VIE 2 POS 0 CENT	DEV2V1M01M03
4	11	D3,D4,D5, LED-G5 D6,D7,D8, D9,D10, D14,D15, D16	GREEN LED DIODE	LEDVE05



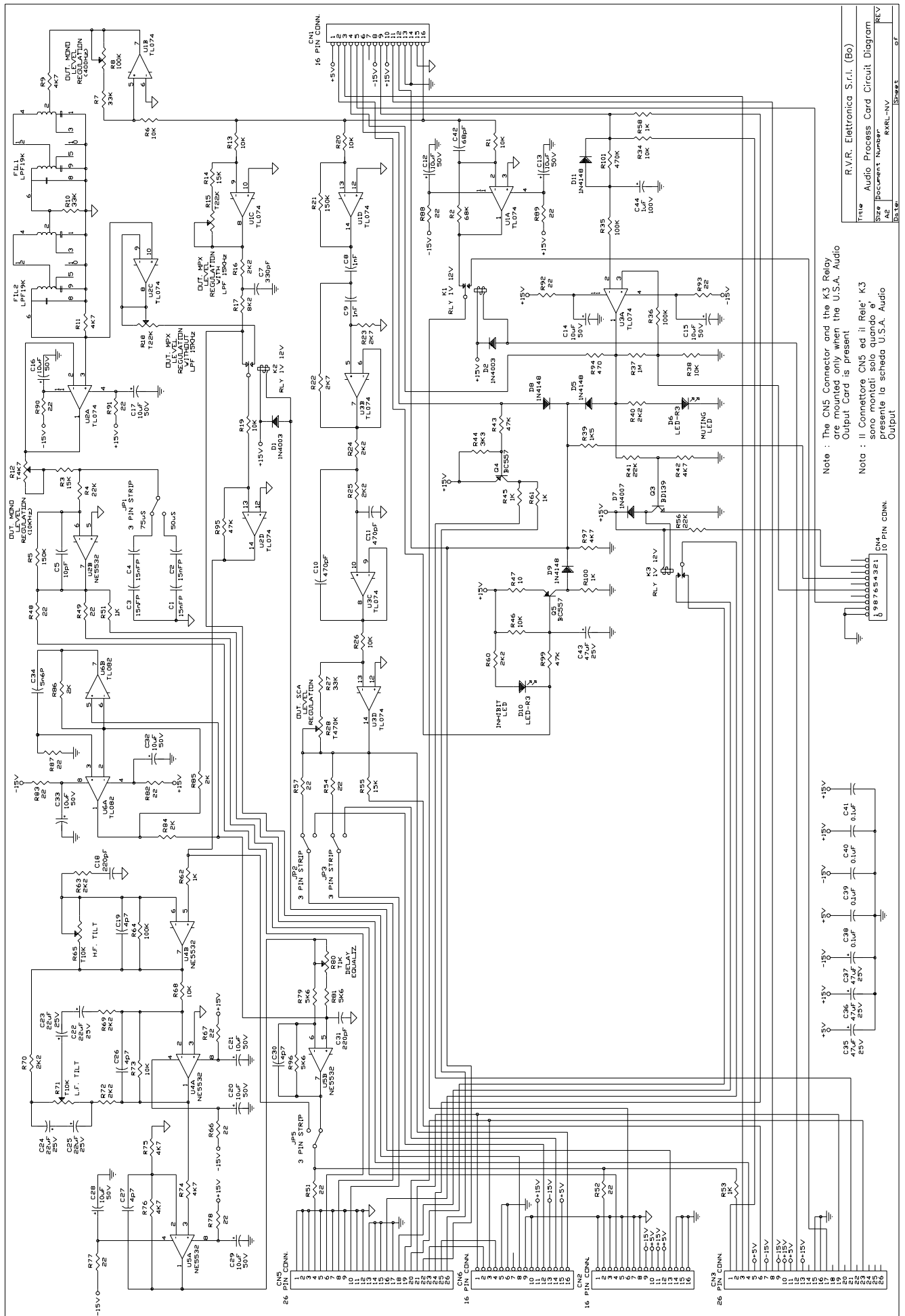
	DENOMINAZIONE	
	Anameter Card 2 Component Layout / Piano di Montaggio	
	DISPOSITIVO	
SEMILAVORATO	DISEGNATO	DISEGNO
MATERIALE	D'Alessio D. li	
TRATTAMENTO	SCALA	TAVOLA n 2 di 2

AUDIO PROCESS CARD

- | | | |
|----------|-------------------------|-----------------|
| <u>1</u> | <u>Circuit Diagram</u> | <u>Pag. 125</u> |
| <u>2</u> | <u>Bill of Material</u> | <u>Pag. 126</u> |
| <u>3</u> | <u>Component Layout</u> | <u>Pag. 129</u> |

AUDIO PROCESS CARD

- | | | |
|----------|-----------------------------|-----------------|
| <u>1</u> | <u>Schema Elettrico</u> | <u>Pag. 125</u> |
| <u>2</u> | <u>Lista dei Componenti</u> | <u>Pag. 126</u> |
| <u>3</u> | <u>Piano di Montaggio</u> | <u>Pag. 129</u> |



Note : The CNS Connector and the K3 Relay are mounted only when the U.S.A. Audio Output Card is present

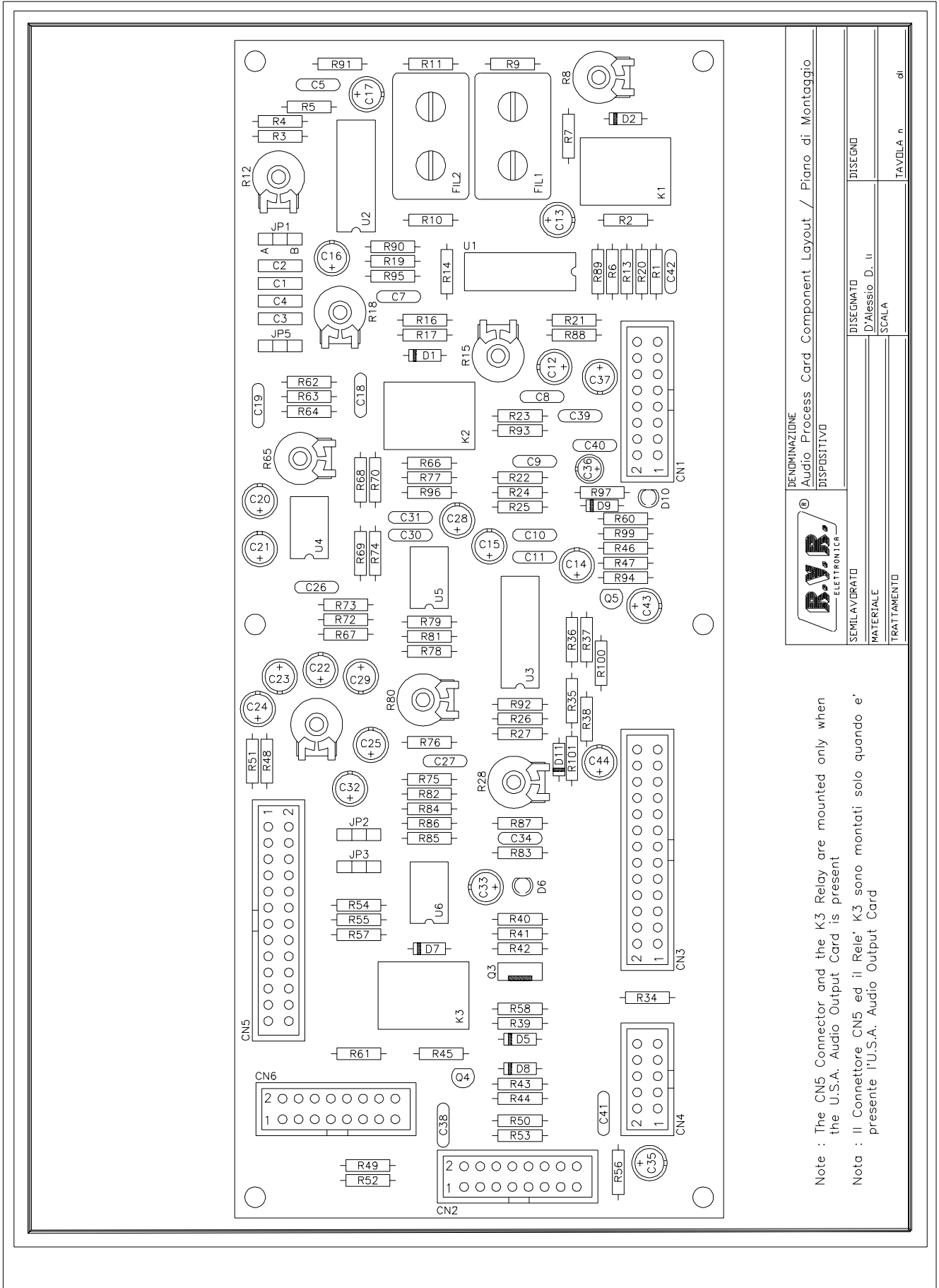
Note : Il Connettore CNS ed il Relè K3 sono montati solo quando è presente la scheda U.S.A. Audio Output

Title	R.V.R. Elettronica S.r.l. (Bo)
Size	Audio Process Card Circuit Diagram
A2	Document Number
A2	RXRL-NV
REV	Sheet

Item	Quantity	Reference Part	Description	Part Order Code
1	1	R47 10	RESISTOR 1/4W 5%	RSC1/4JH0010
2	19	R48,R49, 22 R51,R52,R54, R57,R66,R67, R77,R78,R82, R83,R87,R88, R89,R90,R91, R92,R93	RESISTOR 1/4W 5%	RSC1/4JH0022
3	1	R94 470	RESISTOR 1/4W 5%	RSC1/4JH0470
4	7	R45,R51, 1K R53,R58, R61,R62, R100	RESISTOR 1/4W 5%	RSC1/4JK0001
5	1	R39 1K5	RESISTOR 1/4W 5%	RSC1/4JK01,5
6	3	R84,R85,R86 2K	RESISTOR 1/4W 2%	RSC1/4GK0002
7	9	R16,R24, 2K2 R25,R40, R60,R63, R69,R70, R72	RESISTOR 1/4W 5%	RSC1/4JK02,2
8	2	R22,R23 2K7	RESISTOR 1/4W 5%	RSC1/4JK02,7
9	1	R44 3K3	RESISTOR 1/4W 5%	RSC1/4JK03,3
10	7	R9,R11, 4K7 R42,R74, R75,R76, R97	RESISTOR 1/4W 5%	RSC1/4JK04,7
11	3	R79,R81,R96 5K6	RESISTOR 1/4W 5%	RSC1/4JK05,6
12	1	R17 8K2	RESISTOR 1/4W 5%	RSC1/4JK08,2
13	11	R1,R6,R13, 10K R19,R20,R26, R34,R38,R46, R68,R73	RESISTOR 1/4W 5%	RSC1/4JK0010
14	3	R3,R14,R55 15K	RESISTOR 1/4W 5%	RSC1/4JK0015
15	3	R4,R41,R56 22K	RESISTOR 1/4W 5%	RSC1/4JK0022
16	3	R7,R10,R27 33K	RESISTOR 1/4W 5%	RSC1/4JK0033
17	3	R43,R95,R99 47K	RESISTOR 1/4W 5%	RSC1/4JK0047
18	1	R2 68K	RESISTOR 1/4W 5%	RSC1/4JK0068
19	4	R8,R35, 100K R36,R64	RESISTOR 1/4W 5%	RSC1/4JK0100

Item	Quantity	Reference Part	Description	Part Order Code
20	2	R5,R21 150K	RESISTOR 1/4W 5%	RSC1/4JK0150
21	1	R101 470K	RESISTOR 1/4W 5%	RSC1/4JK0470
22	1	R37 1M	RESISTOR 1/4W 5%	RSC1/4JM0001
23	1	R80 T1K	TRIMMER REG. VERT. 10mm	RVTD10VK0001
24	1	R12 T4K7	TRIMMER REG. VERT. 10mm	RVTD10VK04,7
25	2	R65,R71 T10K	TRIMMER REG. VERT. 10mm	RVTD10VK0010
26	2	R15,R18 T22K	TRIMMER REG. VERT. 10mm	RVTD10VK0022
27	1	R28 T470K	TRIMMER REG. VERT. 10mm	RVTD10VK0470
28	4	C19,C26, 4p7 C27,C30	CERAMIC CAPACITOR NP0	CKM4,7BJ600C
29	1	C5 10pF	CERAMIC CAPACITOR NP0	CKM100BJ600C
30	1	C42 68pF	CERAMIC CAPACITOR NP0	CKM680BJ600C
31	2	C18,C31 220pF	CERAMIC CAPACITOR NP0	CKM221BK600C
32	1	C7 330pF	CERAMIC CAPACITOR	CKM331BK600P
33	2	C10,C11 470PF	CERAMIC CAPACITOR	CKM471BK600P
34	2	C8,C9 1nF	CERAMIC CAPACITOR	CKM102BK600P
35	1	C34 5n6P	POLIESTER CAPACITOR	CPE562BJ101
36	4	C1,C2,C3,C4 15nFP	POLIESTER CAPACITOR	CPE153BJ101
37	4	C38,C39, 0.1µF C40,C41	CERAMIC CAPACITOR	CKM104BK600P
38	1	C44 1µF	ELECTROLYTIC CAPACITOR	CEA105AM630
39	12	C12,C13, 10µF C14,C15,C16, C17,C20,C21, C28,C29,C32, C33	ELECTROLYTIC CAPACITOR	CEA106AM350
40	4	C22,C23, 22µF C24,C25	ELECTROLYTIC CAPACITOR	CEA226BM350
41	4	C35,C36, 47µF C37,C43	ELECTROLYTIC CAPACITOR	CEA476BM630
42	2	FIL1,FIL2 LPF19K	LOW PASS FILTER 19KHZ	FLP19KHZ
43	4	JP1,JP2, 3 PIN STRIP JP3,JP5	STRIP M P 2.54 3 PIN	CNTSTRIPMCS
44	1	CN4 10P CONN. CONN. M 2*5 P 2.54	CNTMCSFC10P	

Item	Quantity	Reference Part	Description	Part Order Code
45	3	CN1,CN2, 16P CN6	CONN. M 2*8 P 2.54	CNTMCSFC16P
46	2	CN3,CN5 26P	CONN. M 2*13 P 2.54	CNTMCSFC26P
47	3	K1,K2,K3	RLY 1V 12V RELAY 1 VIA 12V	RLD112
48	4	D5,D8,D9, 1N4148 D11	SILICON DIODE	DIS1N4148
49	2	D1,D2 1N4003	SILICON DIODE 200V	DIS1N4003
50	1	D7 1N4007	SILICON DIODE 1000V	DIS1N4007
51	2	D6,D10 LED-R3	RED LED DIODE 3mm	LEDRO03
52	2	Q4,Q5 BC557	PNP TRANSISTOR	TRNBC557
53	1	Q3 BD139	NPN TRANSISTOR	TRNBD139
54	1	U6 TL082	DOUBLE OP. AMP.	CILTTL082
55	2	U4,U5 NE5532	DOUBLE OP. AMP.	CILNE5532
56	3	U1,U2,U3 TL074	QUAD OP. AMP.	CILTTL074



DENOMINAZIONE Audio Process Card Component Layout / Piano di Montaggio	
DISPOSITIVO	
DISEGNATO D'Alessio D. U.	
MATERIALE SCALA	
TRATTAMENTO	
TAVOLA n. di	



Note : The CN5 Connector and the K3 Relay are mounted only when the U.S.A. Audio Output Card is present

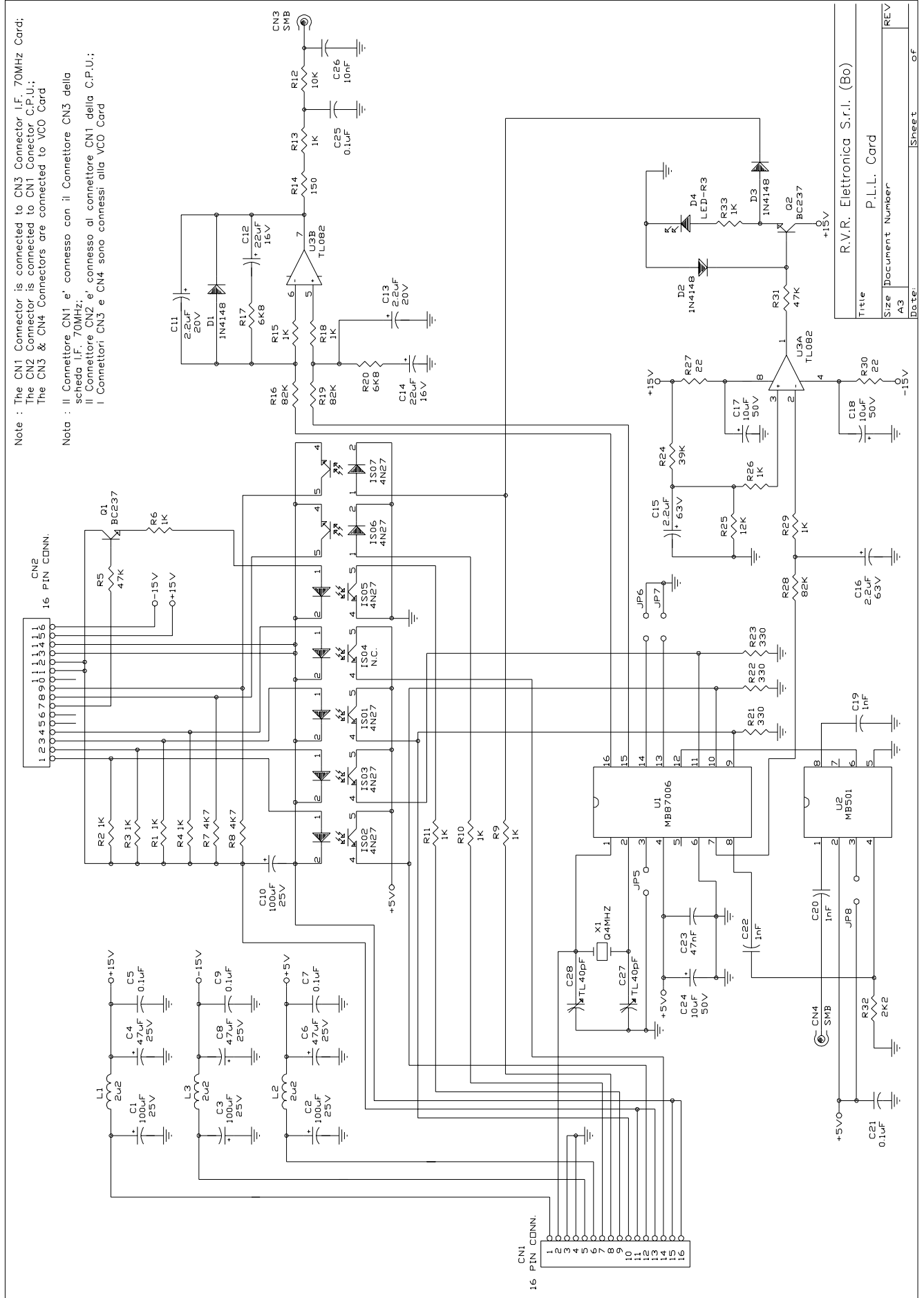
Nota : Il Connettore CN5 ed il Rele' K3 sono montati solo quando e' presente l'U.S.A. Audio Output Card

P . L . L . C A R D

<u>1</u>	<u>Circuit Diagram</u>	<u>Pag. 131</u>
<u>2</u>	<u>Bill of Material</u>	<u>Pag. 132</u>
<u>3</u>	<u>Component Layout</u>	<u>Pag. 134</u>

P . L . L . C A R D

<u>1</u>	<u>Schema Elettrico</u>	<u>Pag. 131</u>
<u>2</u>	<u>Lista dei Componenti</u>	<u>Pag. 132</u>
<u>3</u>	<u>Piano di Montaggio</u>	<u>Pag. 134</u>



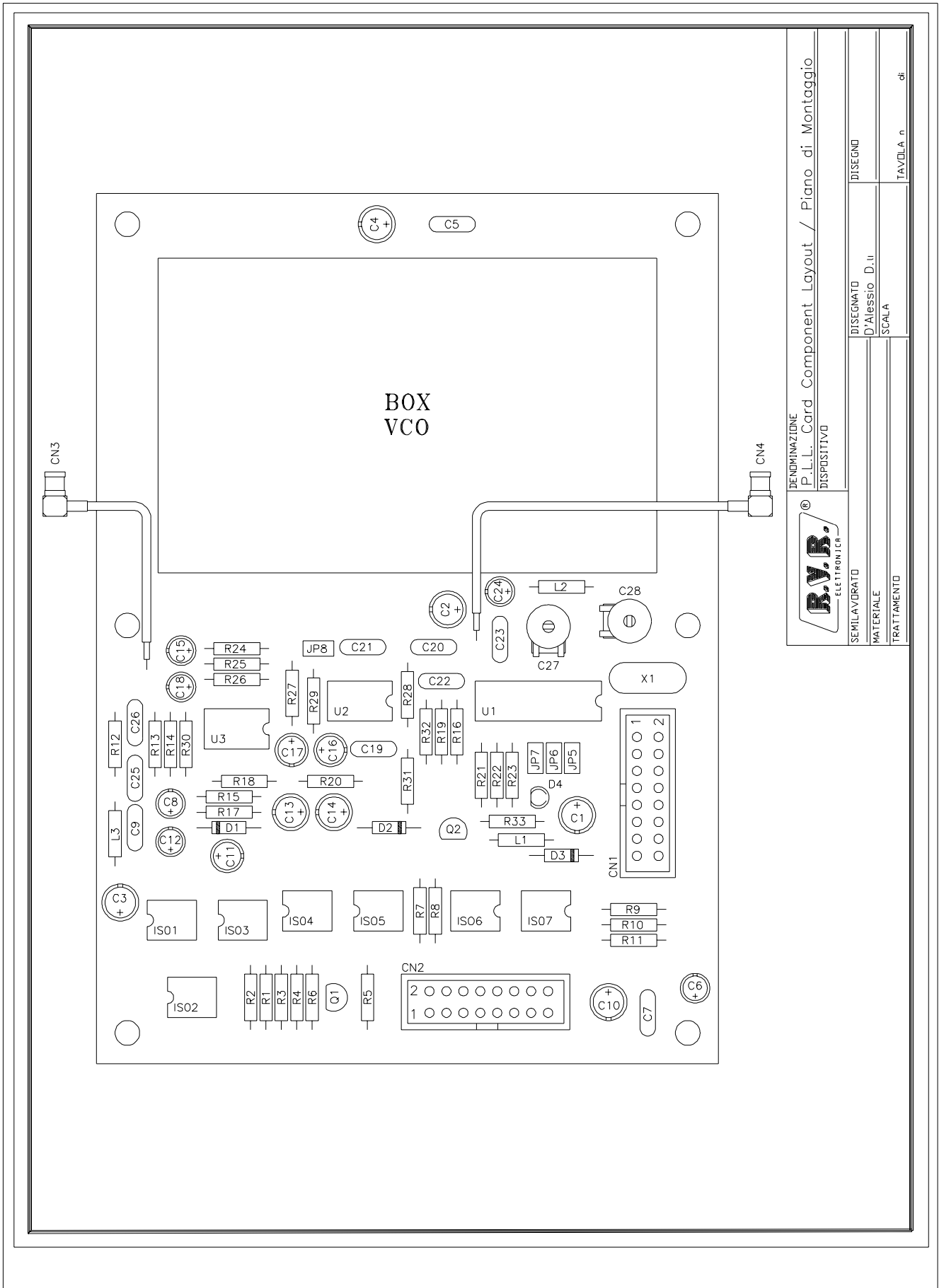
Title		R.V.R. Elettronica S.r.l. (Bo)	
Size Document Number		P.L.L. Card	
Date:	Sheet	of	REV

P.L.L. Card Bill Of Materials/Lista Componenti Pag. 1

Item	Quantity	Reference Part	Description	Part Order Code
1	2	R27,R30 22	RESISTOR 1/4W 5%	RSC1/4JH0022
2	1	R14 150	RESISTOR 1/4W 5%	RSC1/4JH0150
3	3	R21,R22,R23 330	RESISTOR 1/4W 5%	RSC1/4JH0330
4	14	R1,R2,R3, 1K R4,R6,R9, R10,R11,R13, R15,R18,R26, R29, R33	RESISTOR 1/4W 5%	RSC1/4JK0001
5	1	R32 2K2	RESISTOR 1/4W 5%	RSC1/4JK02,2
6	2	R7,R8 4K7	RESISTOR 1/4W 5%	RSC1/4JK04,7
7	2	R17,R20 6K8	RESISTOR 1/4W 5%	RSC1/4JK06,8
8	1	R12 10K	RESISTOR 1/4W 5%	RSC1/4JK0010
9	1	R25 12K	RESISTOR 1/4W 5%	RSC1/4JK0012
10	1	R24 39K	RESISTOR 1/4W 5%	RSC1/4JK0039
11	2	R5,R31 47K	RESISTOR 1/4W 5%	RSC1/4JK0047
12	3	R16,R19,R28 82K	RESISTOR 1/4W 5%	RSC1/4JK0082
13	2	C27,C28 TL40pF	TRIMMER CAPCITOR	CVC400DK600
14	3	C19,C20,C22 1nF	CERAMIC CAPACITOR	CKM102BK600P
15	1	C26 10nF	CERAMIC CAPACITOR	CKM103BK600P
16	1	C23 47NF	CERAMIC CAPACITOR	CKM473BK600P
17	5	C5,C7,C9, 0.1µF C21,C25	CERAMIC CAPACITOR	CKM104BK600P
18	4	C11,C13, 2.2µF C15,C16	ELECTROLYTIC CAPACITOR	CEA225AM630
19	3	C17,C18,C24 10µF	ELECTROLYTIC CAPACITOR	CEA106AM350
20	2	C12,C14 22µF	ELECTROLYTIC CAPACITOR	CEA226BM350
21	3	C4,C6,C8 47µF	ELECTROLYTIC CAPACITOR	CEA476BM630
22	4	C1,C2,C3, 100UF C10	ELECTROLYTIC CAPACITOR	CEA107BM350
23	3	L1,L2,L3 2µ2	RF CHOKE	IMP02U2A
24	4	JP5,JP6, 2P STRIP JP7,JP8	STRIP M P 2.54 2 PIN	CNTSTRIPMCS
25	2	CN1,CN2 16P CONN.	CONN. M 2*8 P 2.54	CNTMCSFC16P

P.L.L. Card Bill Of Materials/Lista Componneti Pag. 2

Item	Quantity	Reference Part	Description	Part Order Code
26	2	CN3,CN4	SMB	CON. SMB A CRIMP. RG188 CNTSMBFCVD
27	1	X1	Q4MHZ	CRYSTAL QRZ4HC18
28	3	D1,D2,D3	1N4148	SILICON DIODE DIS1N4148
29	1	D4	LED-R3	RED LED DIODE 3mm LEDRO03
30	6	IS01,IS02, IS03,IS05, IS06,IS07	4N27	PHOTOCOUPLER LED4N27
31	2	Q1,Q2	BC237	NPN TRANSISTOR TRNBC237
32	1	U3	TL082	DOUBLE OP. AMP. CILTL082
33	1	U2	MB501	DUAL MOD. PRESCALER CIDMB501
34	1	U1	MB87006	INTEGRATED DIVIDER PLL CIDMB87006
35	1	IS04	N.C.	NOT CONNECTED

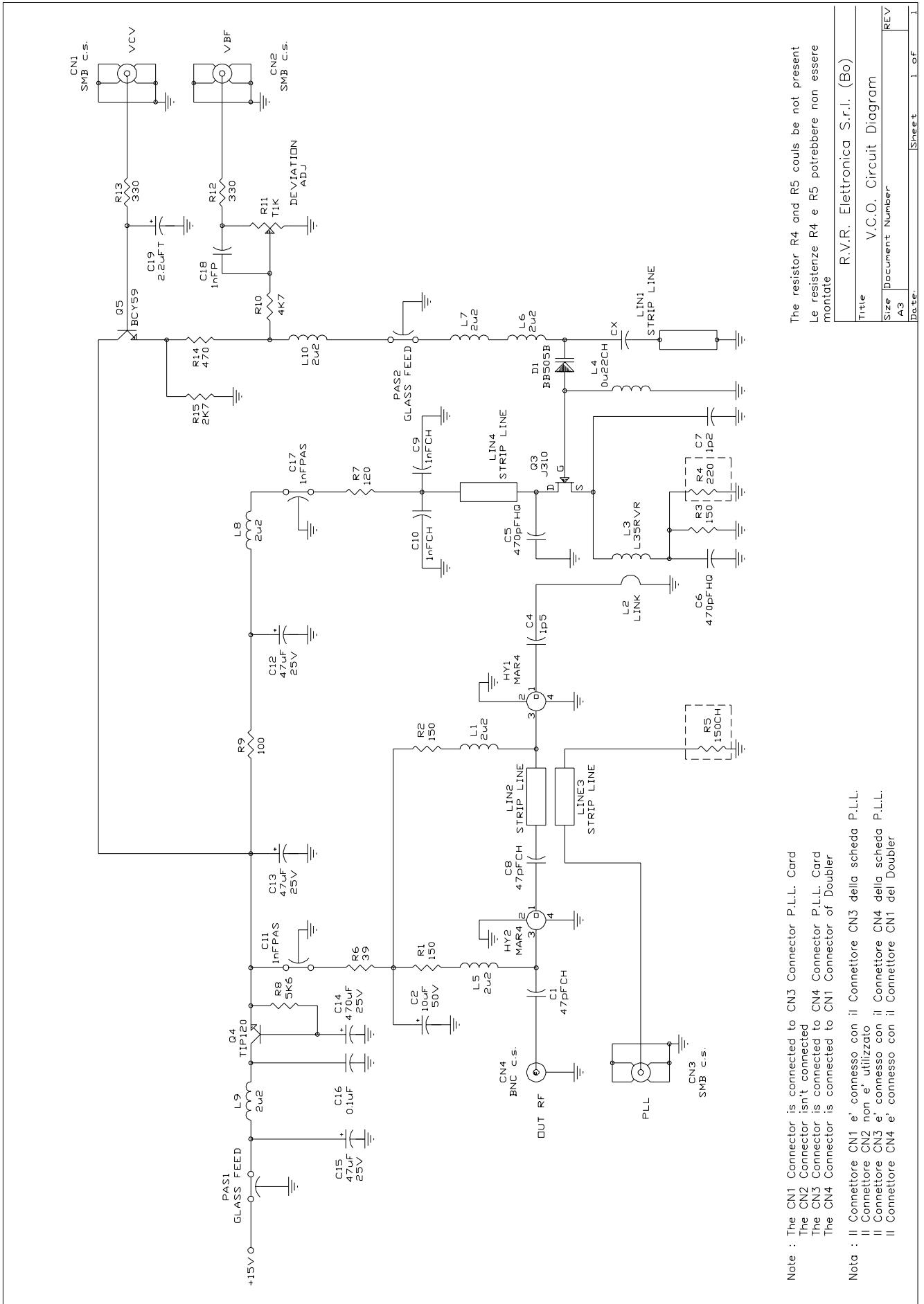


V.C.O. CARD

<u>1</u>	<u>Circuit Diagram</u>	<u>Pag. 136</u>
<u>2</u>	<u>Bill of Material</u>	<u>Pag. 137</u>
<u>3</u>	<u>Component Layout</u>	<u>Pag. 139</u>

V.C.O. CARD

<u>1</u>	<u>Schema Elettrico</u>	<u>Pag. 136</u>
<u>2</u>	<u>Lista dei Componenti</u>	<u>Pag. 137</u>
<u>3</u>	<u>Piano di Montaggio</u>	<u>Pag. 139</u>



The resistor R4 and R5 could be not present
 Le resistenze R4 e R5 potrebbero non essere montate

R.V.R. Elettronica S.r.l. (Bo)	
Title	V.C.O. Circuit Diagram
Size	Document Number
A3	REV
Date	Sheet 1 of 1

Note : The CN1 Connector is connected to CN3 Connector P.L.L. Card
 The CN2 Connector isn't connected
 The CN3 Connector is connected to CN4 Connector P.L.L. Card
 The CN4 Connector is connected to CN1 Connector of Doubler

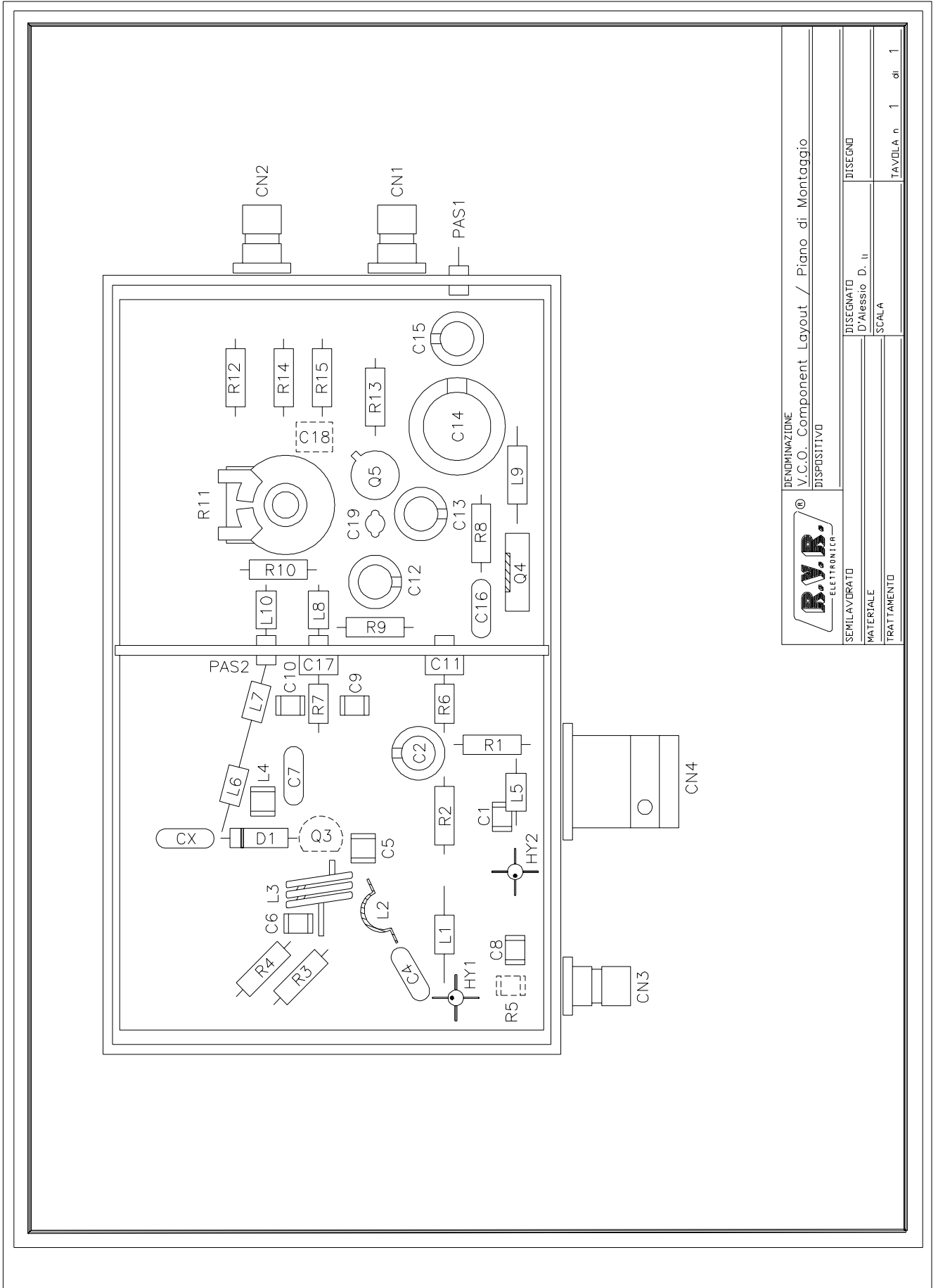
Nota : Il Connettore CN1 e' connesso con il Connettore CN3 della scheda P.L.L.
 Il Connettore CN2 non e' utilizzato
 Il Connettore CN3 e' connesso con il Connettore CN4 della scheda P.L.L.
 Il Connettore CN4 e' connesso con il Connettore CN1 del Doubler

V.C.O. Card Bill Of Materials/Lista Componenti Pag. 1

Item	Quantity	Reference Part	Description	Part Order Code
------	----------	----------------	-------------	-----------------

1	1	R6	39	RESISTOR 1/4W 5%	RSC1/4JH0039
2	1	R9	100	RESISTOR 1/4W 5%	RSC1/4JH0100
3	1	R7	120	RESISTOR 1/4W 5%	RSC1/4JH0120
4	1	R5	150CH	CHIP RESISTOR	RCC1/4JH0150F
5	3	R1,R2,R3	150	RESISTOR 1/4W 5%	RSC1/4JH0150
6	1	R4	220	RESISTOR 1/4W 5%	RSC1/4JH0220
7	2	R12,R13	330	RESISTOR 1/4W 5%	RSC1/4JH0330
8	1	R14	470	RESISTOR 1/4W 5%	RSC1/4JH0470
9	1	R15	2K7	RESISTOR 1/4W 5%	RSC1/4JK02,7
10	1	R10	4K7	RESISTOR 1/4W 5%	RSC1/4JK04,7
11	1	R8	5K6	RESISTOR 1/4W 5%	RSC1/4JK05,6
12	1	R11	T1K	TRIMMER REG. VERT. 10mm	RVTD10VK0001
13	2	PAS1,PAS2	GLASS FEED	PASSANTE IN VETRO	PASSVETRO
14	1	C7	1p2	CERAMIC CAPACITOR	NP0CKM1,2BJ600C
15	1	C4	1p5	CERAMIC CAPACITOR	NP0CKM1,5BJ600C
16	2	C1,C8	47pFCH	CERAMIC CHIP CAPACITOR	CCC470AJ500
17	2	C5,C6	470pFHQ	HIGHT Q CAPACITOR	CHQ471AJ500
18	2	C9,C10	1nFCH	CERAMIC CHIP CAPACITOR	CCC102AJ500
19	2	C11,C17	1nFPAS	CERAMIC THROUGH CAPAC.	CDP102XK500
20	1	C18	1NFP	POLIESTER CAPACITOR	CPE102BK161
21	1	C16	0.1µF	CERAMIC CAPACITOR	CKM104BK600P
22	1	C19	2.2µFT	TANTALIUM CAPACITOR	CET225AM350
23	1	C2	10µF	ELECTROLYTIC CAPACITOR	CEA106AM350
24	3	C12,C13,C15	47µF	ELECTROLYTIC CAPACITOR	CEA476BM630
25	1	C14	470µF	ELECTROLYTIC CAPACITOR	CEA477BM350
26	1	L4	See as reference Table D for the value of the impedance L4 Il valore dell'impedance L4 è riportato in Tabella D		
27	7	L1,L5,L6, L7,L8,L9, L10	2µ2	RF CHOKE	IMP02U2A

Item	Quantity	Reference Part	Description	Part Order Code
28	1	L3	L35RVR	3 SP DIA 5
29	1	L2	LINK	LINK FILO ARG. 1mm CAVARG1000
30	1	CN4	BNC C.S.	CONN. BNC A STAMPATO CNTBNCFCS
31	3	CN1,CN2,CN3	SMB C.S.	CONN. SMB A STAMPATO CNTSMBMCS
32	1	D1	BB505B	VARICAP DIODE DIVBB505
33	1	Q5	BCY59	NPN TRANSISTOR TRNBCY59
34	1	Q4	TIP120	NPN DARLINGTON TRNTIP120
35	1	Q3	J310	FET TRANSISTOR TRNJ310
36	2	HY1, HY2	MAR4	HYBRID AMP MAR4 MIBMAR4
37	4	LIN1, LIN2, LINE3, LIN4	STRIP LINE	STRIP LINE
38	1	CX	See as reference Table D for the value of the capacitor CX Il valore del condensatore CX è riportato in Tabella D	



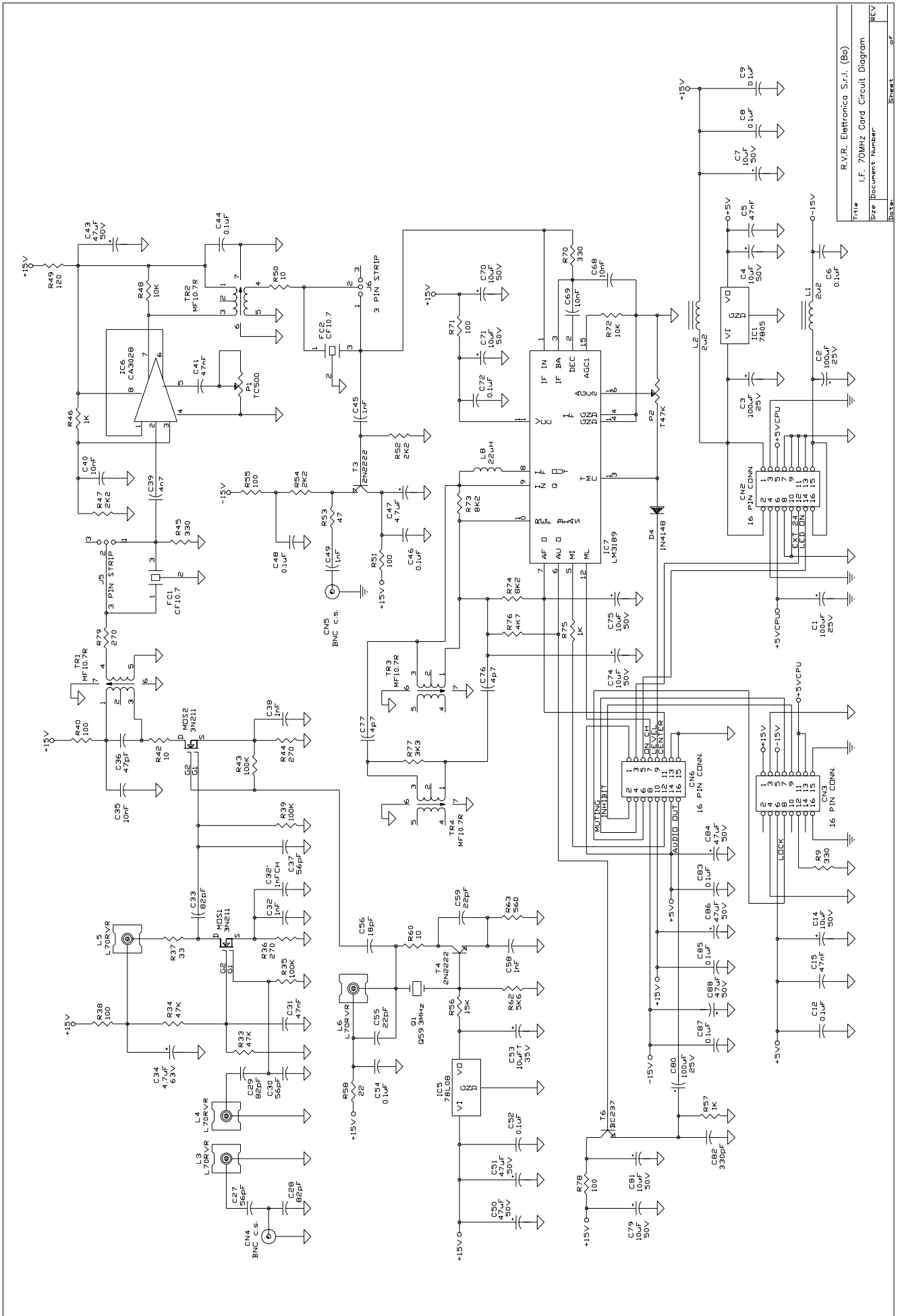
DENOMINAZIONE V.C.O. Component Layout / Piano di Montaggio	
DISPOSITIVO	
SEMILAVORATO	DISEGNATO D'Alessio D. II
MATERIALE	SCALA
TRATTAMENTO	TAVOLA n. 1 di 1

I.F. 70MHz CARD (I.F. 10.7MHz CARD)

<u>1</u>	<u>Circuit Diagram</u>	<u>Pag. 141</u>
<u>2</u>	<u>Bill of Material</u>	<u>Pag. 142</u>
<u>3</u>	<u>Component Layout</u>	<u>Pag. 145</u>

I.F. 70MHz CARD (I.F. 10.7MHz CARD)

<u>1</u>	<u>Schema Elettrico</u>	<u>Pag. 141</u>
<u>2</u>	<u>Lista dei Componenti</u>	<u>Pag. 142</u>
<u>3</u>	<u>Piano di Montaggio</u>	<u>Pag. 145</u>

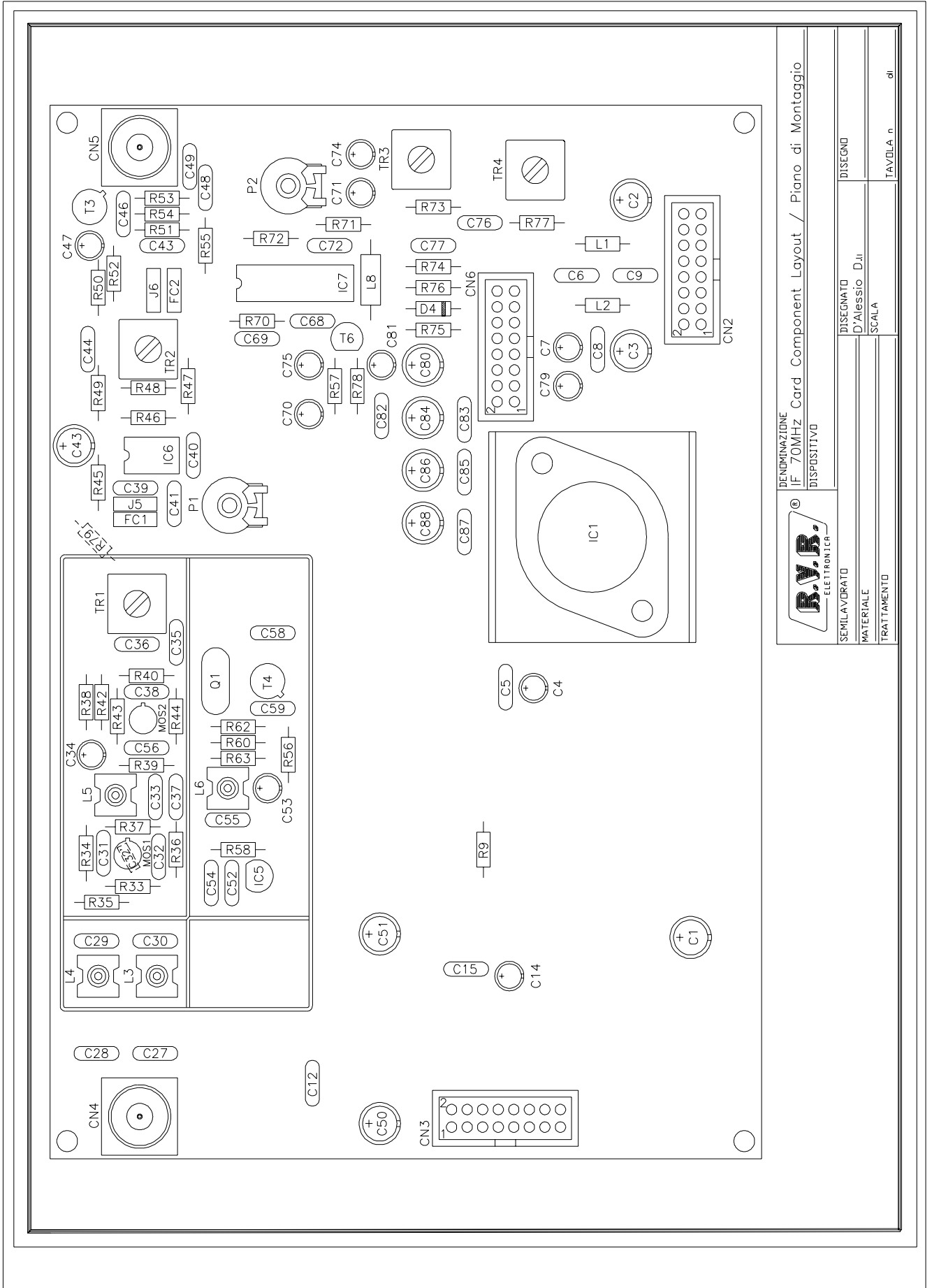



File	R.V.R. Elettronica S.r.l. (Bo)
Size	L.F. 70MHz Card Circuit Diagram
Doc. Number	
REV	

Item	Quantity	Reference Part	Description	Part Order Code
1	3	R42,R50,R60	10 RESISTOR 1/4W 5%	RSC1/4JH0010
2	1	R58	22 RESISTOR 1/4W 5%	RSC1/4JH0022
3	1	R37	33 RESISTOR 1/4W 5%	RSC1/4JH0033
4	1	R53	47 RESISTOR 1/4W 5%	RSC1/4JH0047
5	6	R38,R40, R51,R55, R71,R78	100 RESISTOR 1/4W 5%	RSC1/4JH0100
6	1	R49	120 RESISTOR 1/4W 5%	RSC1/4JH0120
7	3	R36,R44,R79	270 RESISTOR 1/4W 5%	RSC1/4JH0270
8	3	R9,R45,R70	330 RESISTOR 1/4W 5%	RSC1/4JH0330
9	1	R63	560 RESISTOR 1/4W 5%	RSC1/4JH0560
10	3	R46,R57,R75	1K RESISTOR 1/4W 5%	RSC1/4JK0001
11	3	R47,R52,R54	2K2 RESISTOR 1/4W 5%	RSC1/4JK02,2
12	1	R77	3K3 RESISTOR 1/4W 5%	RSC1/4JK03,3
13	1	R76	4K7 RESISTOR 1/4W 5%	RSC1/4JK04,7
14	1	R62	5K6 RESISTOR 1/4W 5%	RSC1/4JK05,6
15	2	R73,R74	8K2 RESISTOR 1/4W 5%	RSC1/4JK08,2
16	2	R48,R72	10K RESISTOR 1/4W 5%	RSC1/4JK0010
17	1	R56	15K RESISTOR 1/4W 5%	RSC1/4JK0015
18	2	R33,R34	47K RESISTOR 1/4W 5%	RSC1/4JK0047
19	3	R35,R39,R43	100K RESISTOR 1/4W 5%	RSC1/4JK0100
20	1	P1	TC500 TRIM. REG. VERT. CERMET RVTTCERVH0500	
21	1	P2	T47K TRIMMER REG. VERT. 10mm RVTD10VK0047	
22	2	C76,C77	4p7 CERAMIC CAPACITOR NP0	CKM4,7BJ600C
23	1	C56	18pF CERAMIC CAPACITOR NP0	CKM180BJ600C
24	2	C55,C59	22pF CERAMIC CAPACITOR NP0	CKM220BJ600C
25	1	C36	47pF CERAMIC CAPACITOR NP0	CKM470BJ600C
26	3	C27,C30,C37	56pF CERAMIC CAPACITOR NP0	CKM560BJ600C
27	3	C28,C29,C33	82pF CERAMIC CAPACITOR NP0	CKM820BJ600C
28	1	C82	330pF CERAMIC CAPACITOR	CKM331BK600P

Item	Quantity	Reference Part	Description	Part Order Code
29	5	C32,C38, 1nF C45,C49,C58	CERAMIC CAPACITOR	CKM102BK600P
30	1	C32' 1nFCH	CERAMIC CHIP CAPACITOR	CCC102AJ500
31	1	C39 4n7	CERAMIC CAPACITOR	CKM472BK600P
32	4	C35,C40, 10nF C68,C69	CERAMIC CAPACITOR	CKM103BK600P
33	4	C5,C15, 47nF C31,C41	CERAMIC CAPACITOR	CKM473BK600P
34	13	C6,C8,C9, 0.1µF C12,C44, C46,C48, C52,C54, C72,C83, C85,C87	CERAMIC CAPACITOR	CKM104BK600P
35	2	C34,C47 4.7µF	ELECTROLYTIC CAPACITOR	CEA475AM350
36	9	C4,C7,C14, 10µF C70,C71,C74, C75,C79,C81	ELECTROLYTIC CAPACITOR	CEA106AM350
37	1	C53 10µFT	TANTALIUM CAPACITOR	CET106AM350
38	6	C43,C50, 47µF C51,C84, C86,C88	ELECTROLYTIC CAPACITOR	CEA476BM630
39	4	C1,C2,C3, 100µF C80	ELECTROLYTIC CAPACITOR	CEA107BM350
40	2	L1,L2 2µ2	RF CHOKE	IMP02U2A
41	1	L8 22µH	RF CHOKE	IMP22U0A
42	4	L3,L4,L5,L6 L70RVR TR3,TR4	BOBINA 70MHZ	FBPB70MHZ
43	4	TR1,TR2, MF10.7R	MEDIA FREQ. 10.7 MHZ	TRFMF110
44	2	J5,J6 3P STRIP	STRIP M P 2.54 3 PIN	CNTSTRIPMCS
45	3	CN2,CN3,CN6 16P	CONN. CONN. M 2*8 P 2.54	CNTMCSFC16P
46	2	CN4,CN5 BNC C.S.	CONN. BNC A STAMPATO	CNTBNCFCSO
47	1	Q1 Q59.3MHZ	CRYSTALM	QRZ59,3HC18
48	2	FC1,FC2 CF10.7	CERAMIC FILTER 10.7 MHZ	FCKSFE10.7MX
49	1	D4 1N4148	SILICON DIODE	DIS1N4148
50	1	IC1 7805	POS. STABILIZER 1A	CIL7805P

Item	Quantity	Reference Part	Description	Part Order Code
51	1	IC5 78L08	POS. STABILIZER 100mA	CIL78L08
52	1	T6 BC237	NPN TRANSISTOR	TRNBC237
53	2	T3,T4 2N2222	NPN RF TRANSISTOR	TRN2N2222
54	2	MOS1,MOS2 3N211	MOSFET 2 GATE	TRN3N211
55	1	IC7 LM3189	FM DEMODULATOR	CILLM3189
56	1	IC6 CA3028	IF DIFF. AMPLIFIER	CILCA3028



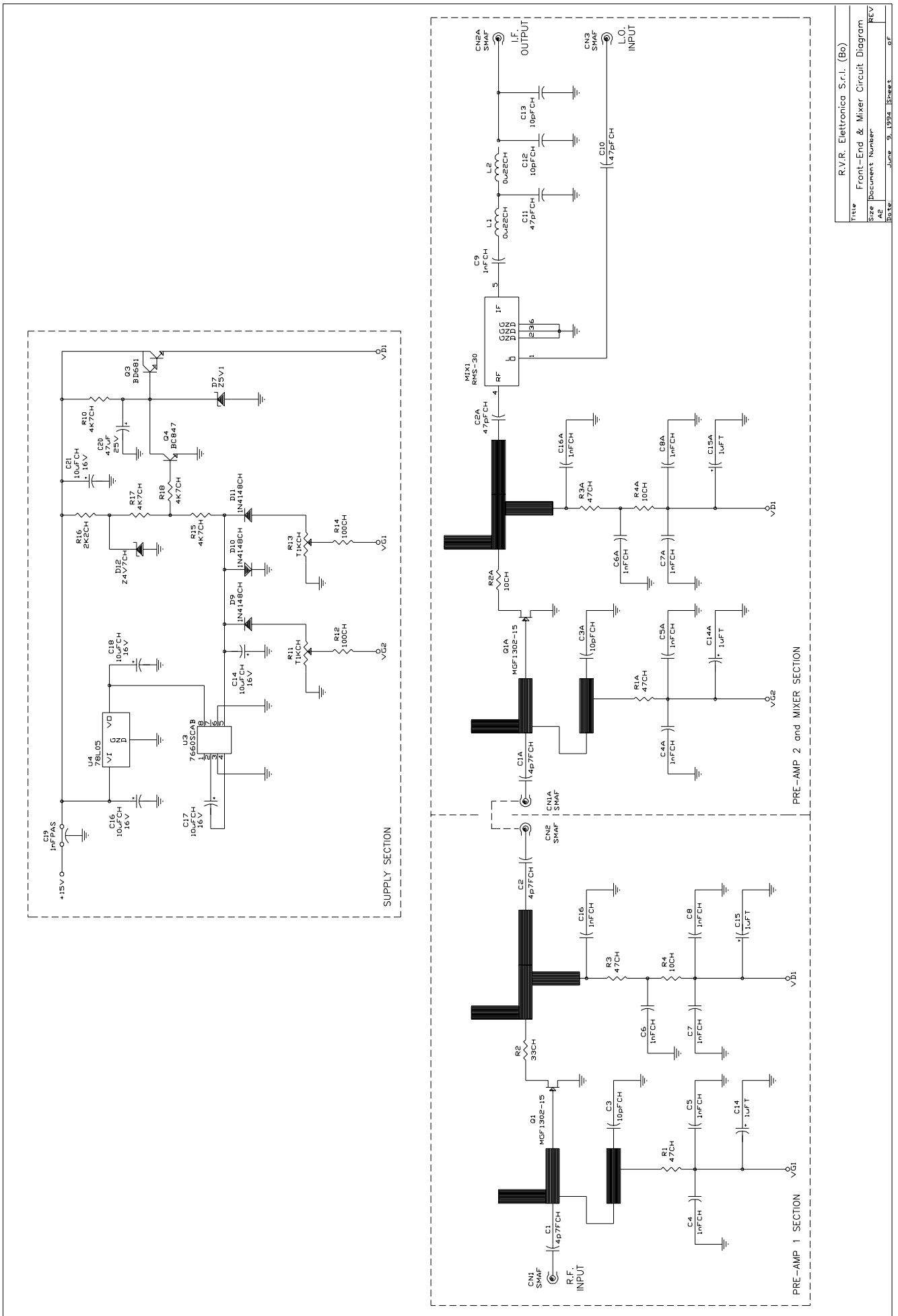
		DENOMINAZIONE IF 70MHz Card Component Layout / Piano di Montaggio DISPOSITIVO	
SEMILAVORATO		DISEGNATO D'Alessio D.ii	
MATERIALE		SCALA	
TRATTAMENTO		TAVOLA n. di	

FRONT-END & MIXER

<u>1</u>	<u>Circuit Diagram</u>	<u>Pag. 147</u>
<u>2</u>	<u>Bill of Material</u>	<u>Pag. 148</u>
<u>3</u>	<u>Component Layout</u>	<u>Pag. 150</u>

FRONT-END & MIXER

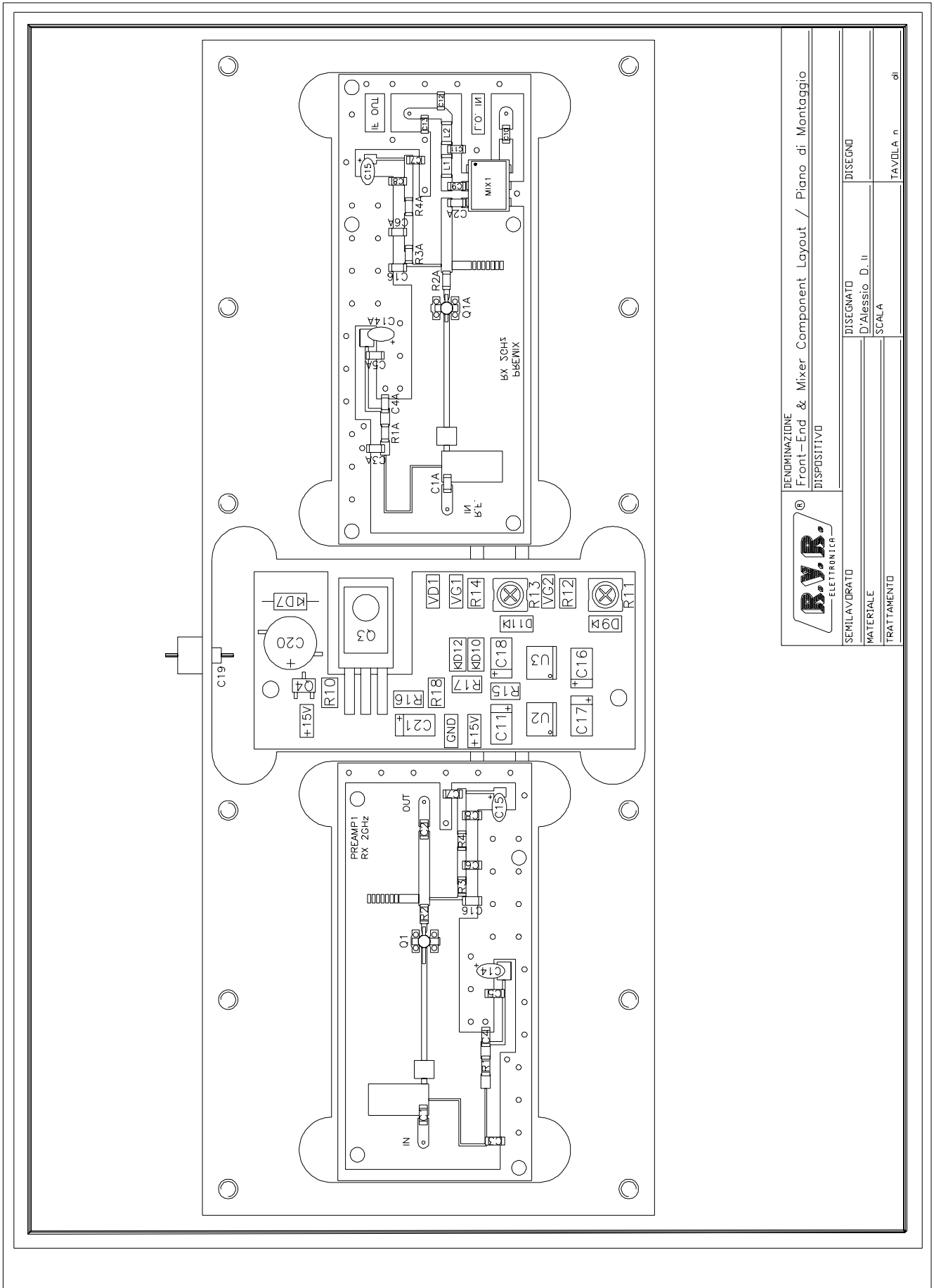
<u>1</u>	<u>Schema Elettrico</u>	<u>Pag. 147</u>
<u>2</u>	<u>Lista dei Componenti</u>	<u>Pag. 148</u>
<u>3</u>	<u>Piano di Montaggio</u>	<u>Pag. 150</u>




R.V.R. Elettronica S.r.l. (Bo)	
Title	Front-End & Mixer Circuit Diagram
Size	Document Number
A2	REV
Bo. No.	June 9, 1994 Sheet 1 of 1

Item	Quantity	Reference Part	Description	Part Order Code
1	3	R2A,R4A,R4 10CH	CHIP RESISTOR	RCC1/4JH0010
2	1	R2 33CH	CHIP RESISTOR 1/4W	RCC1/4JH0033
3	4	R1A,R1, R3A,R3 47CH	CHIP RESISTOR 1/4W	RCC1/4JH0047
4	2	R12,R14 100CH	CHIP RESISTOR	RCC1/4JH0100
5	1	R16 2K2CH	CHIP RESISTOR	RCC1/4JK02,2
6	4	R10,R15, R17,R18 4K7CH	CHIP RESISTOR	RCC1/4JH04,7
7	2	R11,R13 1KCH	TRIMMER REG. VER. CHIP	RVTDCCVK0001
8	3	C1A,C1,C2 4p7FCH	CERAMIC CHIP CAPACITOR	CCC4,7AJ500
9	4	C3A,C3,C12, C13 10pFCH	CERAMIC CHIP CAPACITOR	CCC100AJ500
10	3	C2A,C10,C11 47pFCH	CERAMIC CHIP CAPACITOR	CCC470AJ500
11	13	C4A,C4,C5A, C5,C6A,C6, C7A,C7,C8A, C8,C9,C16A, C16 1nFCH	CERAMIC CHIP CAPACITOR	CCC102AJ500
12	1	C19 1nFPAS	CERAMIC THROUGH CAPAC.	CDP102XK500
13	4	C14A,C14, C15A,C15 1μFT	TANTALIUM CAPACITOR	CET105AM350
14	5	C14,C16, C17,C18,C21 10μFCH	ELECTR. CHIP CAPACITOR	CMQ106M16
15	1	C20 47μF	ELECTROLYTIC CAPACITOR	CEA476BM630
16	2	L1,L2 0μ22CH	CHIP RF CHOKE	
17	1	MIX1 RMS-30	SMD MIXER 300MHz-3GHz	MIXRMS30
18	5	CN1A,CN1, CN2A,CN2,CN3 SMAF	CONN. SMA F TELAIO	CNTSMAF
19	3	D9,D10,D11 1N4148CH	CHIP SILICON DIODE	DIS1N4148C
20	1	D12 Z4V7CH	ZENER 4.7V 0.4W CHIP	DIZ4V70W4C
21	1	D7 Z5V1	ZENER DIODE 5.1V 0.4W	DIZ5V10W4
22	1	U3 7660SCAB	+5V TO -5V VOLT. CONV.	ICL7660SCAB
23	1	U4 78L05	POS. STABILIZER 100mA	ICL78L05
24	1	Q4 BC847	CHIP NPN TRANSISTOR	TRNBC847

Item	Quantity	Reference Part	Description	Part Order Code	
25	1	Q3	BD681	NPN DARLINGTON	TRNBD681
26	2	Q1A,Q1	MGF1302-15	GAS-FET MGF1302-15	TRNMGF130215
27	14	ST2A,ST2, ST3A,ST3, ST4A,ST4, ST5A,ST5, ST6A,ST6, ST7A,ST7, ST8A,ST8	STRIP LINE	STRIP LINE	



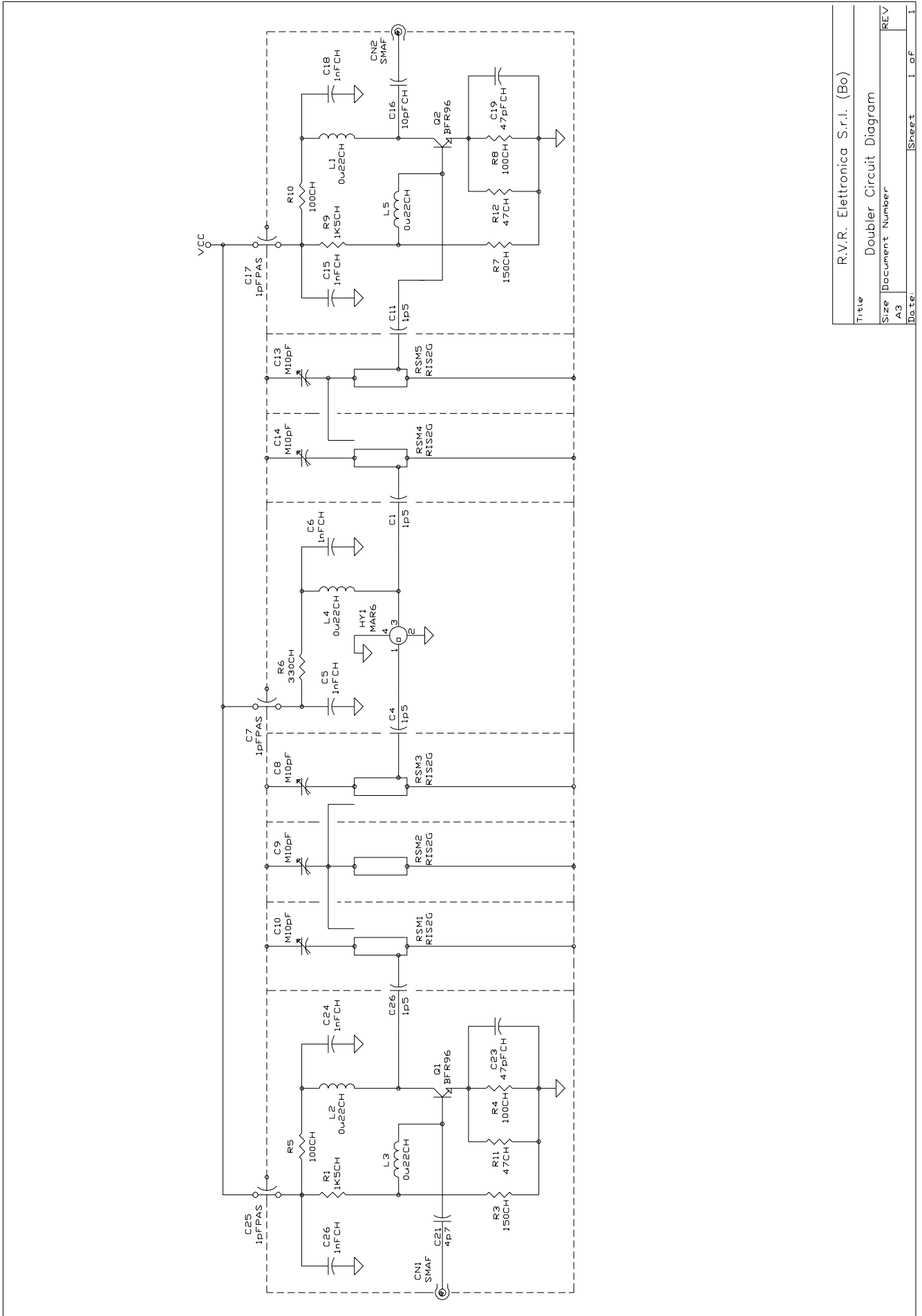
		DENOMINAZIONE Front-End & Mixer Component Layout / Piano di Montaggio	
SEMILAVORATO		DISEGNATO D'Alessio D. U.	
MATERIALE		DISPOSITIVO	
TRATTAMENTO		SCALA	
di		TAVOLA n	

DOUBLER

<u>1</u>	<u>Circuit Diagram</u>	<u>Pag. 152</u>
<u>2</u>	<u>Bill of Material</u>	<u>Pag. 153</u>
<u>3</u>	<u>Component Layout</u>	<u>Pag. 154</u>

DOUBLER

<u>1</u>	<u>Schema Elettrico</u>	<u>Pag. 152</u>
<u>2</u>	<u>Lista dei Componenti</u>	<u>Pag. 153</u>
<u>3</u>	<u>Piano di Montaggio</u>	<u>Pag. 154</u>



R.V.R. Elettronica S.r.l. (Bo)

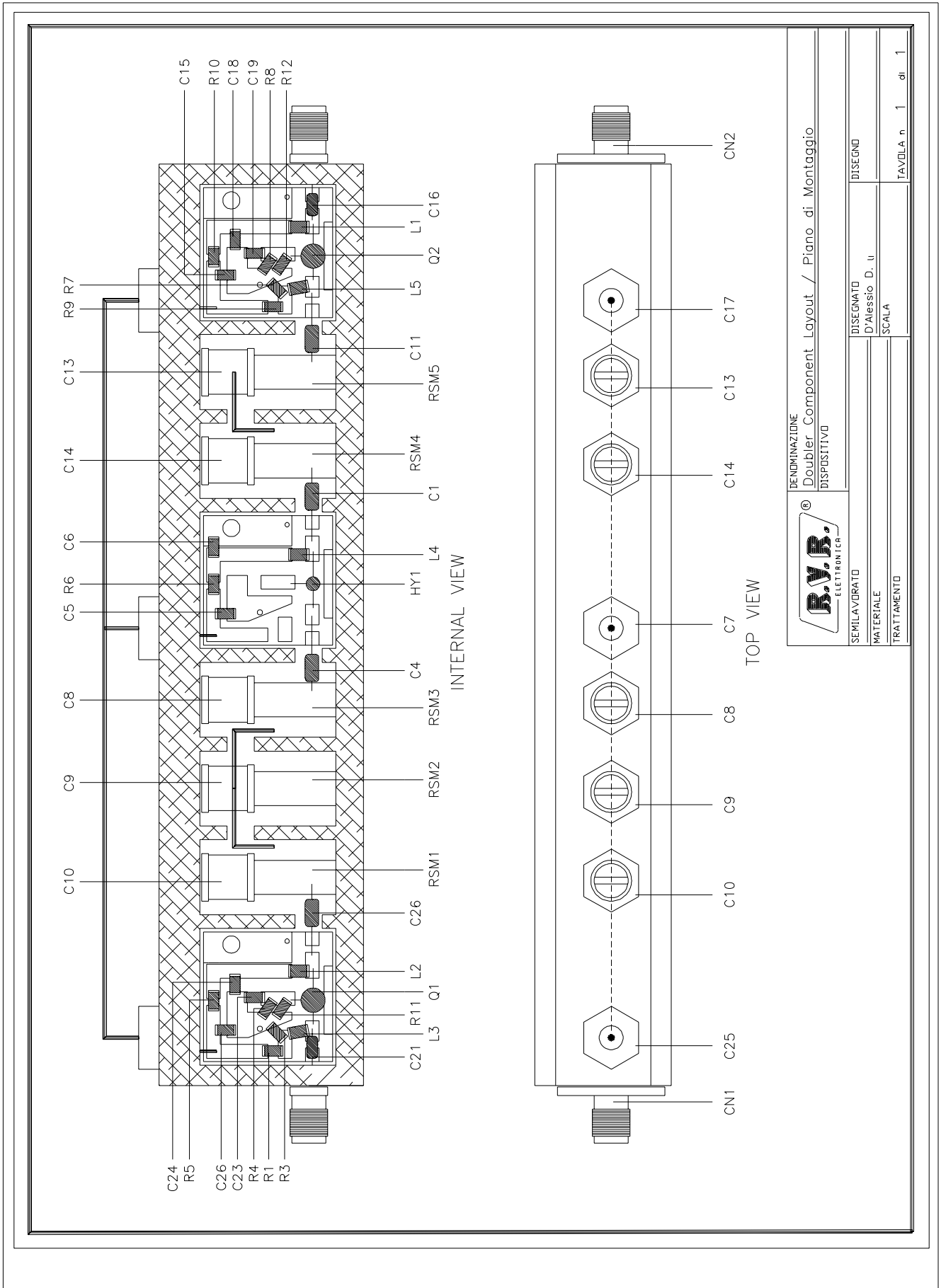
Title
Doubler Circuit Diagram


Size	Document Number	REV
A3		
Date:	Sheet	1 of 1

 Doubler Bill of Materials/Lista Componenti Pag. 1

 Item Quantity Reference Part Description Part Order Code

1	4	R4,R5,R8, 100CH R10	CHIP RESISTOR	RCC1/4JH0100F
2	2	R3,R7 150CH	CHIP RESISTOR	RCC1/4JH0150F
3	2	R1,R9 1K5CH	CHIP RESISTOR	RCC1/4JH01,5
4	4	C1,C4,C11 1p5 C26	CERAMIC CAPACITOR NP0	CKM1,5BJ600C
5	1	C21 4p7	CERAMIC CAPACITOR NP0	CKM4,7BJ600C
6	5	C8,C9,C10, M10pF C13,C14	PRECISION TRIMMER CAP.	CVA100BK101
7	2	C19,C23 47pFCH	CERAMIC CHIP CAPACITOR	CCC470AJ500
8	6	C5,C6,C15 1nFCH C18,C24, C26	CERAMIC CHIP CAPACITOR	CCC102AJ500
9	1	C16 10pFCH	CERAMIC CHIP CAPACITOR	CCC100AJ500
10	3	C7,C17,C25 1nFPAS	CERAMIC THROUGH CAPAC.	CDP102XK500
11	5	L1,L2,L3, 0μ22CH L4,L5	CHIP RF CHOKE	
12	5	RSM1,RSM2, RIS2G RSM3,RSM4, RSM5	2GHz LINE	
13	2	CN1,CN2 SMAF	CONN. SMA F TELAIO CNTSMAF	
14	2	Q1,Q2 BFR96	NPN RF TRANSISTOR	TRNBFR96
15	1	HY1 MAR6	HYBRID AMP MAR6	MIBMAR6
16	1	R6 330CH	CHIP RESISTOR	RCC1/4JH0330F
17	2	R11,R12 47CH	CHIP RESISTOR	RCC1/4JH0047F



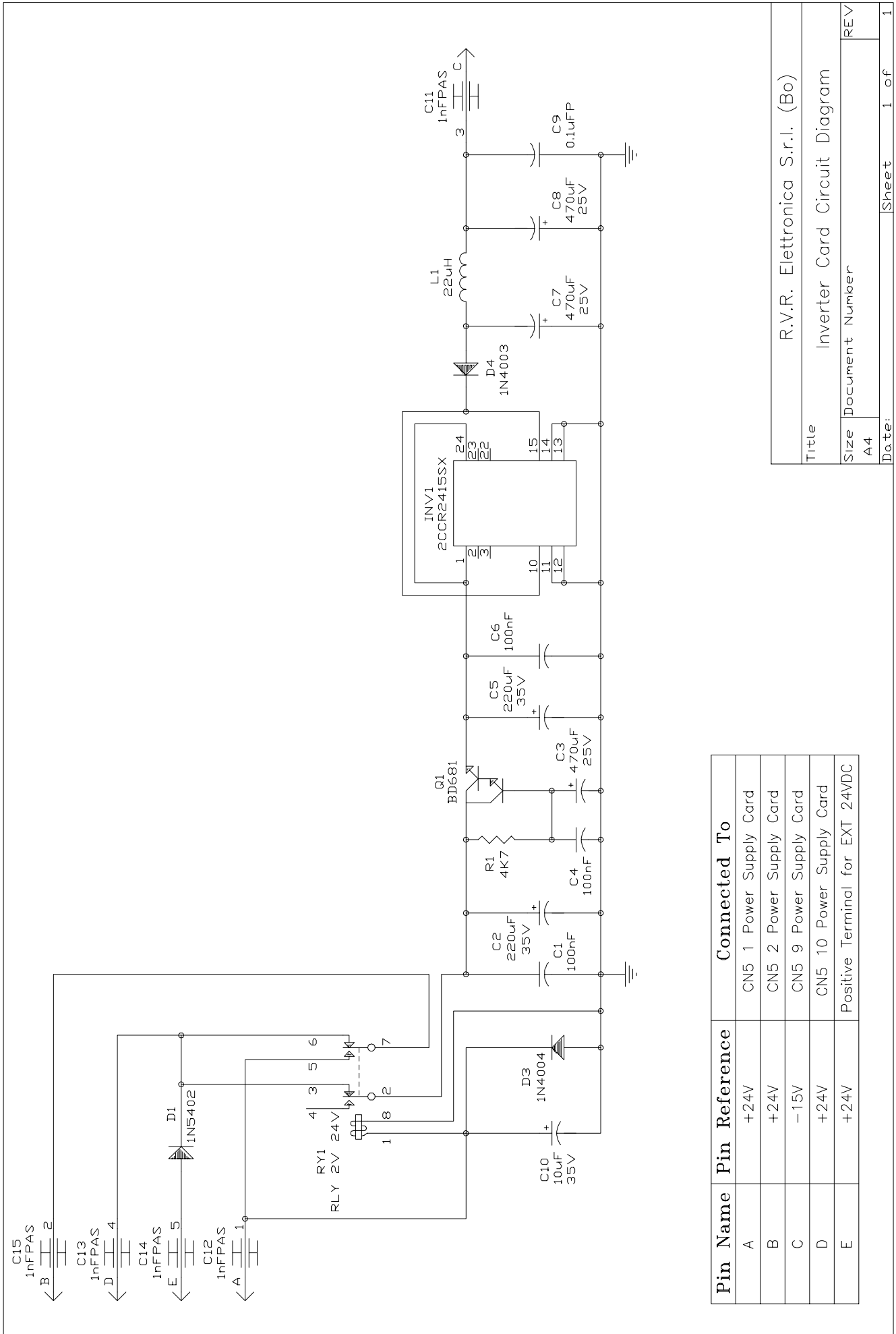
		DENOMINAZIONE Doubler Component Layout / Piano di Montaggio	
SEMILAVORATO		DISEGNATO D'Alessio D. u	
MATERIALE		DISPOSITIVO	
TRATTAMENTO		SCALA	
TAVOLA n. 1		di 1	

INVERTER CARD (OPTIONAL)

- | | | |
|----------|-------------------------|-----------------|
| <u>1</u> | <u>Circuit Diagram</u> | <u>Pag. 156</u> |
| <u>2</u> | <u>Bill of Material</u> | <u>Pag. 157</u> |
| <u>3</u> | <u>Component Layout</u> | <u>Pag. 158</u> |

INVERTER CARD (OPZIONALE)

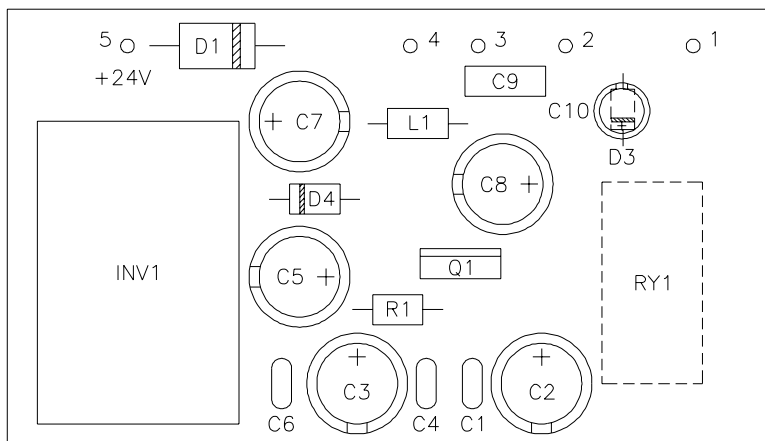
- | | | |
|----------|-----------------------------|-----------------|
| <u>1</u> | <u>Schema Elettrico</u> | <u>Pag. 156</u> |
| <u>2</u> | <u>Lista dei Componenti</u> | <u>Pag. 157</u> |
| <u>3</u> | <u>Piano di Montaggio</u> | <u>Pag. 158</u> |



Pin Name	Pin Reference	Connected To
A	+24V	CN5 1 Power Supply Card
B	+24V	CN5 2 Power Supply Card
C	-15V	CN5 9 Power Supply Card
D	+24V	CN5 10 Power Supply Card
E	+24V	Positive Terminal for EXT 24VDC

Title		R.V.R. Elettronica S.r.l. (Bo)
Size	Document Number	Inverter Card Circuit Diagram
A4	REV	
Date:	Sheet	1 of 1

Item	Quantity	Reference Part	Description	Part Order Code
1	1	R1 4K7	RESISTOR 1/4W 5%	RSC1/4JK04,7
2	5	C11,C12, 1nFPAS C13,C14,C15	CERAMIC THROUGH CAPAC.	CDP102XK500
3	3	C1,C4,C6 100nF	CERAMIC CAPACITOR	CKM104BK600P
4	1	C9 0.1µFP	POLYESTER CAPACITOR	CPE104DK101
5	1	C10 10µF	ELECTROLYTIC CAPACITOR	CEA106AM350
6	2	C2,C5 220µF	ELECTROLYTIC CAPACITOR	CEA227BM350
7	3	C3,C7,C8 470µF	ELECTROLYTIC CAPACITOR	CEA477BM350
8	1	L1 22µH	RF CHOKE	IMP22U0A
9	1	RY1 RLY 2V 24V	RELAY 2 VIE 24V	RLDLFHA00224
10	1	D3 1N4004	SILICON DIODE 200V	DIS1N4004
11	1	D4 1N4003	SILICON DIODE 200V	DIS1N4003
12	1	D1 1N5402	SILICON DIODE 200V 3A	DIS1N5402
13	1	INV1 2CCR2415SX	DC/DC CONV. 24VI 15VO	2CCR2415SX
14	1	Q1 BD681	NPN DARLINGTON	TRNBD681



RY1 are mounted outside
RY1 e' montato all'esterno



DENOMINAZIONE
Invert 24VDC/-15VDC Component Layout / Piano di Montaggio
DISPOSITIVO

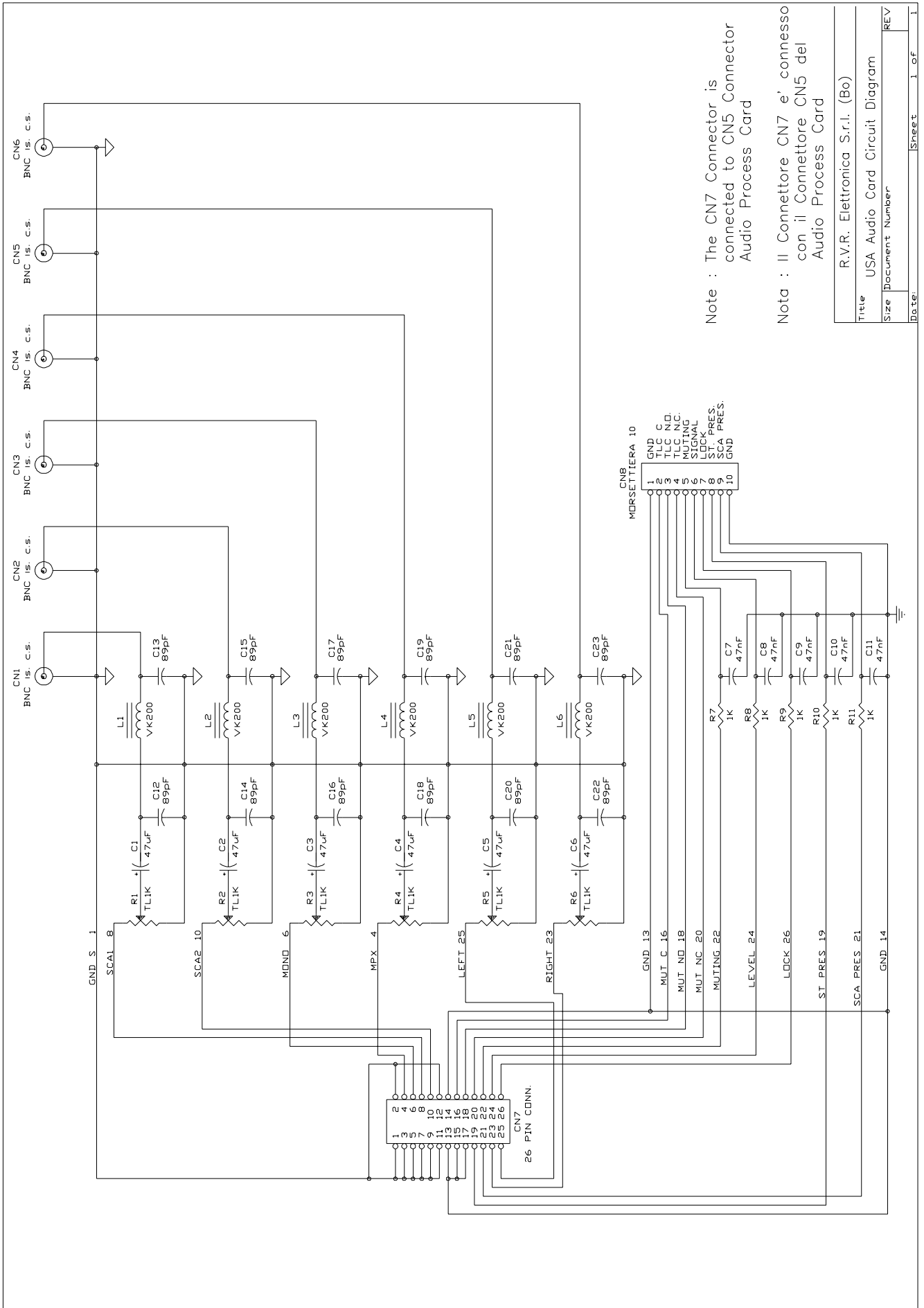
SEMILAVORATO	DISEGNATO D'Alessio D. U	DISEGNO
MATERIALE	SCALA	TAVOLA n 1 di 1
TRATTAMENTO		

U.S.A. AUDIO OUTPUT CARD (OPTIONAL)

<u>1</u>	<u>Circuit Diagram</u>	<u>Pag. 160</u>
<u>2</u>	<u>Bill of Material</u>	<u>Pag. 161</u>
<u>3</u>	<u>Component Layout</u>	<u>Pag. 162</u>

U.S.A. AUDIO OUTPUT CARD (OPZIONALE)

<u>1</u>	<u>Schema Elettrico</u>	<u>Pag. 160</u>
<u>2</u>	<u>Lista dei Componenti</u>	<u>Pag. 161</u>
<u>3</u>	<u>Piano di Montaggio</u>	<u>Pag. 162</u>

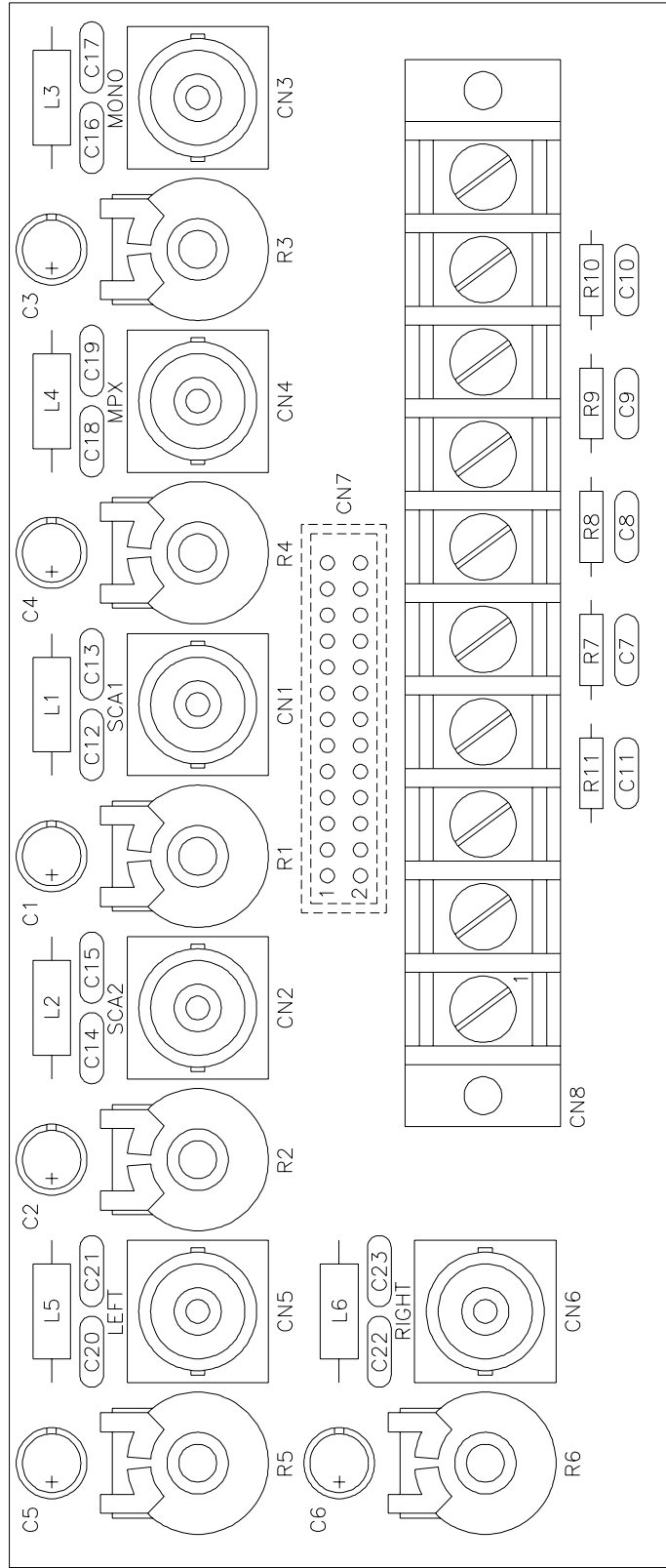



Note : The CN7 Connector is connected to CN5 Connector Audio Process Card

Nota : Il Connettore CN7 e' connesso con il Connettore CN5 del Audio Process Card

Title	R.V.R. Elettronica S.r.l. (Bo)
Size	USA Audio Card Circuit Diagram
Document Number	REV
Date	Sheet 1 of 1

Item	Quantity	Reference Part	Description	Part Order Code
1	5	R7,R8,R9, 1K R10,R11	RESISTOR 1/4W 5%	RSC1/4JK0001
2	6	R1,R2,R3, TL1K R4,R5,R6	TRIMMER REG. VERT. 15mm	RVTD15VK0001
3	12	C12,C13, 89pF C14,C15, C16,C17, C18,C19, C20,C21, C22,C23	CERAMIC CAPACITOR NP0	CSM890BJ600C
4	5	C7,C8,C9, 47nF C10,C11	CERAMIC CAPACITOR	CKM473BK600P
5	6	C1,C2,C3, 47µF C4,C5,C6	ELECTROLYTIC CAPACITOR	CEA476BM630
6	6	L1,L2,L3, VK200 L4,L5,L6	RF CHOKE	IMPVK200
7	1	CN8	MORS. 10 MORS. TELAIO 10 CONT.	MORSP10P
8	1	CN7	26P CONN. CONN. M 2*13 P 2.54	CNTMCSFC26P
9	6	CN1,CN2, BNC IS. CS CN3,CN4, CN5,CN6	CONN. BNC A STAMP. IS.	CNTBNCFCISIS



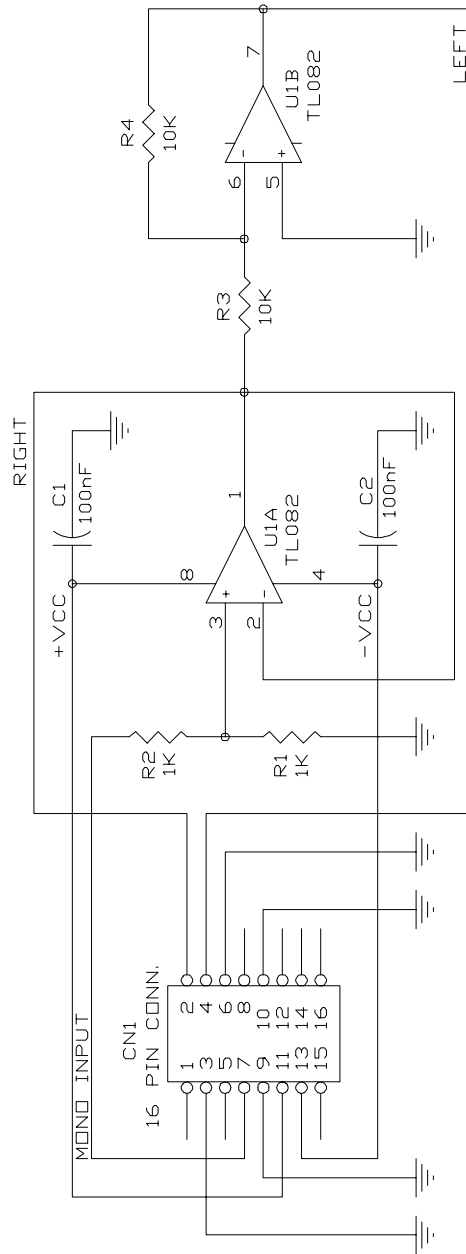
	DENOMINAZIONE USA Audio Output Card Component Layout / Piano di Montaggio	
	DISPOSITIVO	
SEMILAVORATO	DISEGNATO	
MATERIALE	D'Alessio D. U.	
TRATTAMENTO	SCALA	
TAVOLA n. 1		di 1

MONO- BALANCED CARD (OPTIONAL)

<u>1</u>	<u>Circuit Diagram</u>	<u>Pag. 164</u>
<u>2</u>	<u>Bill of Material</u>	<u>Pag. 165</u>
<u>3</u>	<u>Component Layout</u>	<u>Pag. 166</u>

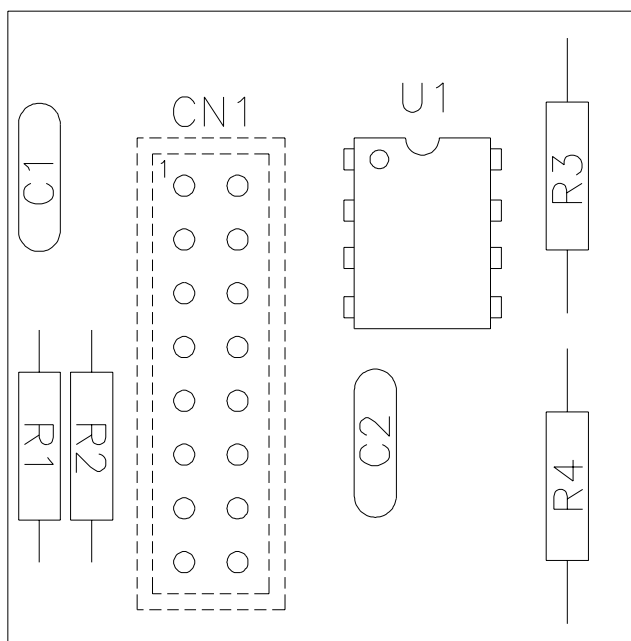
MONO- BALANCED CARD (OPZIONALE)


<u>1</u>	<u>Schema Elettrico</u>	<u>Pag. 165</u>
<u>2</u>	<u>Lista dei Componenti</u>	<u>Pag. 165</u>
<u>3</u>	<u>Piano di Montaggio</u>	<u>Pag. 166</u>



Title		R.V.R. Elettronica S.r.l. (Bo)
Size		A4
Document Number		REV
Date:	Sheet	1 of 1

Item	Quantity	Reference Part	Description	Part Order Code
1	2	R1,R2	1K RESISTOR 1/4W 5%	RSC1/4JK0001
2	2	R3,R4	10K RESISTOR 1/4W 5%	RSC1/4JK0010
3	2	C1,C2	100nF CERAMIC CAPACITOR	CKM104BK600P
4	1	CN1	16P CONN. CONN. M 2*8 P 2.54 CNTMCSFC16P	
5	1	U1	TL082 DOUBLE OP. AMP.	CILTTL082



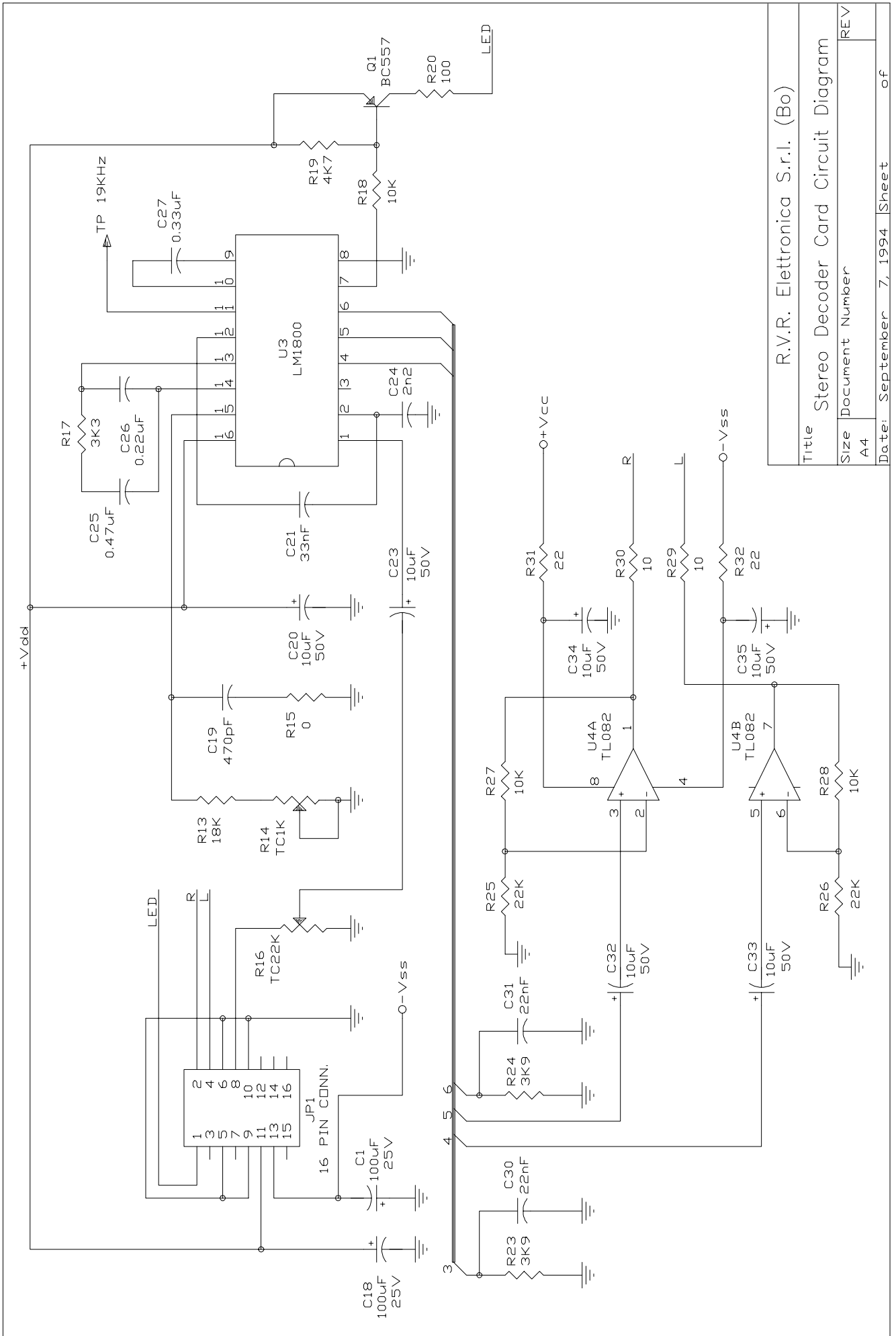
	DENOMINAZIONE	
	Mono-Balanced Component Layout / Piano di Montaggio	
	DISPOSITIVO	
SEMILAVORATO	DISEGNATO	DISEGNO
MATERIALE	D'Alessio D. U.	
TRATTAMENTO	SCALA	
		TAVOLA n 1 di 1

STEREO DECODER CARD (OPTIONAL)

- | | | |
|----------|-------------------------|-----------------|
| <u>1</u> | <u>Circuit Diagram</u> | <u>Pag. 168</u> |
| <u>2</u> | <u>Bill of Material</u> | <u>Pag. 169</u> |
| <u>3</u> | <u>Component Layout</u> | <u>Pag. 170</u> |

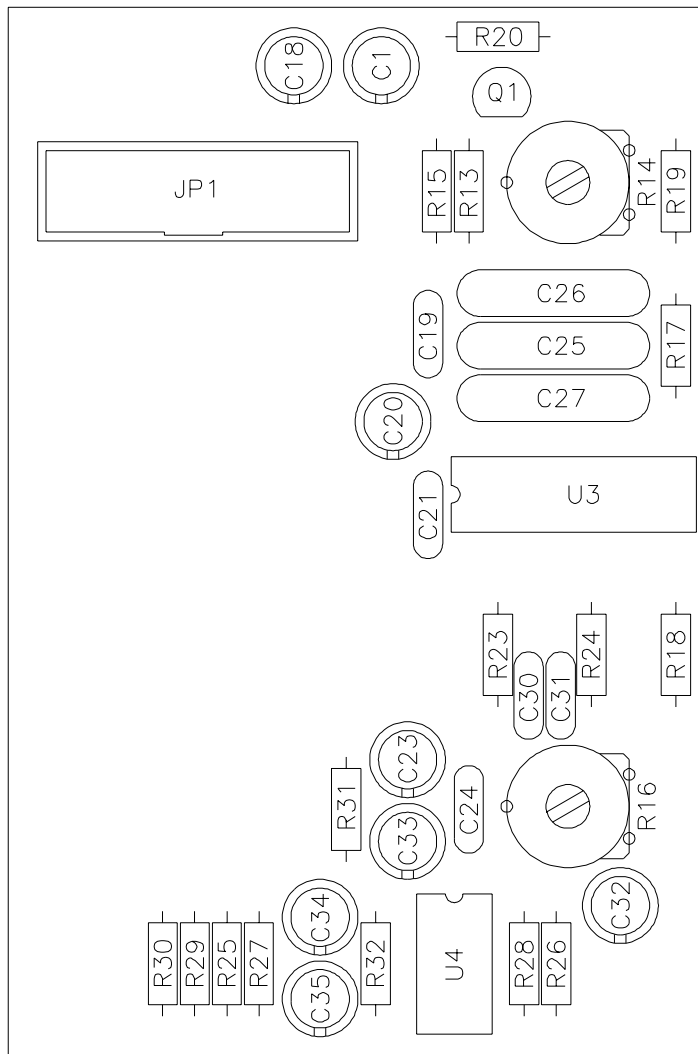
STEREO DECODER CARD (OPZIONALE)

- | | | |
|----------|-----------------------------|-----------------|
| <u>1</u> | <u>Schema Elettrico</u> | <u>Pag. 168</u> |
| <u>2</u> | <u>Lista dei Componenti</u> | <u>Pag. 169</u> |
| <u>3</u> | <u>Piano di Montaggio</u> | <u>Pag. 170</u> |



Title		R.V.R. Elettronica S.r.l. (Bo)	
Size		Stereo Decoder Card Circuit Diagram	
Document Number		REV	
Size	A4	Date:	September 7, 1994
		Sheet	of

Item	Quantity	Reference Part	Description	Part Order Code
1	1	R15	0	0 OHM RESISTOR R000
2	2	R29,R30	10	RESISTOR 1/4W 5% RSC1/4JH0010
3	2	R31,R32	22	RESISTOR 1/4W 5% RSC1/4JH0022
4	1	R20	100	RESISTOR 1/4W 5% RSC1/4JH0100
5	1	R17	3K3	RESISTOR 1/4W 5% RSC1/4JK03,3
6	2	R23,R24	3K9	RESISTOR 1/4W 5% RSC1/4JK03,9
7	1	R19	4K7	RESISTOR 1/4W 5% RSC1/4JK04,7
8	3	R18,R27,R28	10K	RESISTOR 1/4W 5% RSC1/4JK0010
9	1	R13	18K	RESISTOR 1/4W 5% RSC1/4JK0018
10	2	R25,R26	22K	RESISTOR 1/4W 5% RSC1/4JK0022
11	1	R14	TC1K	TRIM. REG. VERT. CERMET RVTTCERVK0001
12	1	R16	TC22K	TRIM. REG. VERT. CERMET RVTTCERVK0022
13	1	C19	470pF	CERAMIC CAPACITOR CKM471BK600P
14	1	C24	2n2	CERAMIC CAPACITOR CKM222BK600P
15	2	C30,C31	22nF	CERAMIC CAPACITOR CKM223BK600P
16	1	C21	33nF	CERAMIC CAPACITOR CKM333BK600P
17	1	C26	0.22µF	POLIESTER CAPACITOR CPE224DK101
18	1	C27	0.33µF	POLIESTER CAPACITOR CPE334BK101
19	1	C25	0.47µF	POLIESTER CAPACITOR CPE474EK101
20	6	C20,C23, C32,C33, C34,C35	10µF	ELECTROLYTIC CAPACITOR CEA106AM350
21	2	C1,C18	100µF	ELECTROLYTIC CAPACITOR CEA107BM350
22	1	JP1	16P	CONN. M 2*8 P 2.54 CNTMCSFC16P
23	1	Q1	BC557	PNP TRANSISTOR TRNBC557
24	1	U4	TL082	DOUBLE OP. AMP. CILTL082
25	1	U3	LM1800	STEREO DECODER CILLM1800



DENOMINAZIONE
Stereo Decoder Card Component Layout / Piano di Montaggio

DISPOSITIVO

SEMILAVORATO	DISEGNATO D'Alessio D. U.	DISEGNO
MATERIALE	SCALA	TAVOLA n di
TRATTAMENTO		

© Copyright 1993
Second Edition - September '94
Created By D'Alessio D. & Morotti M.

R.V.R. Elettronica S.r.l. (Bo)
Via del Fonditore 2/2c - 40138 - Bologna (Italy)
National: Phone 051/601.05.06 r.a. Fax 051/601.11.04
International : Phone +39 51-601.05.06 Fax +39 51-601.11.04

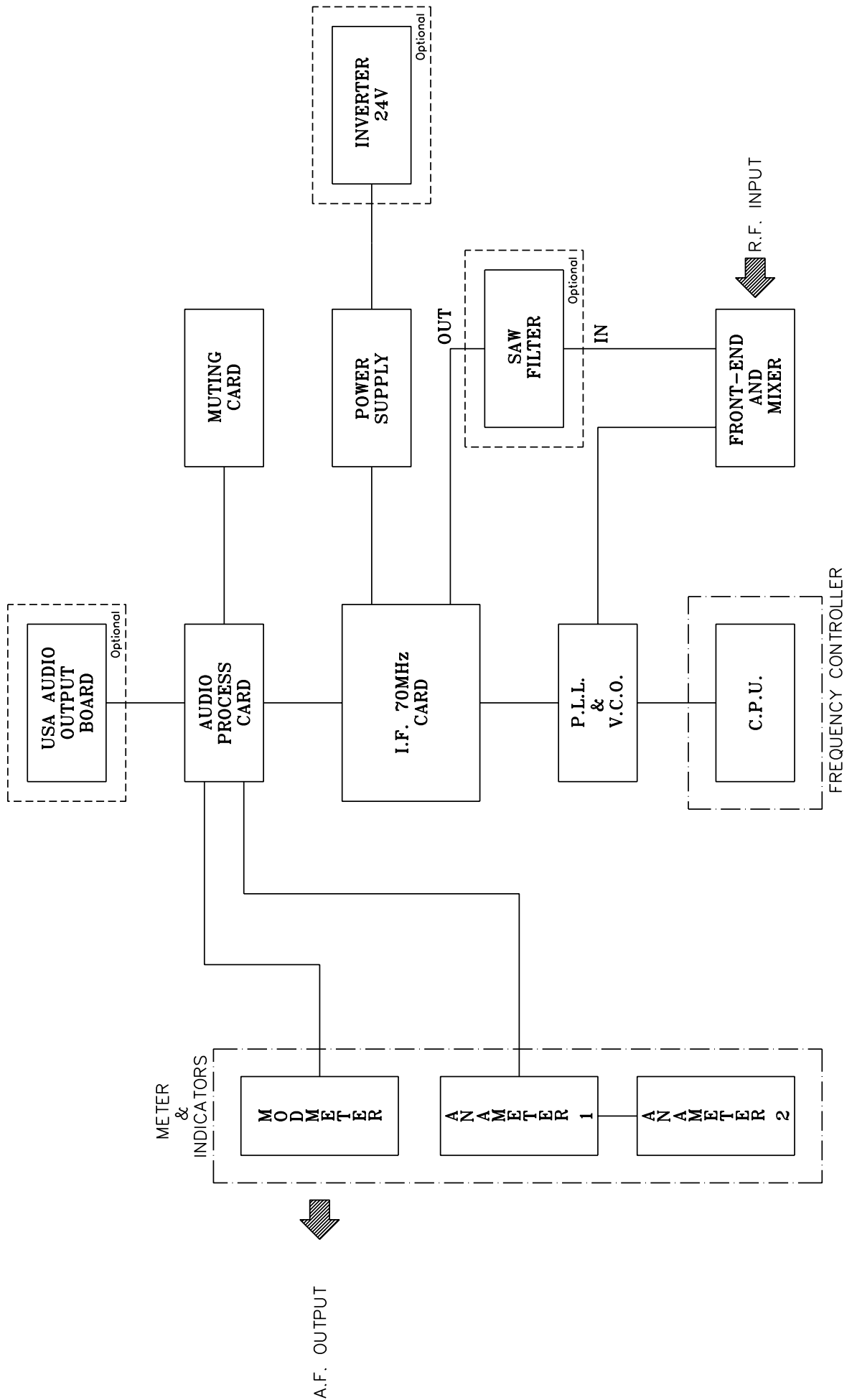
Printed and bound in Italy. All rights reserved. No part of this manual may be reproduced or utilized in any form or by any means, electronic or mechanical, including photocopying, recording, or by any information storage and retrieval system, without permission in writing from the publisher.

Tutti i diritti sono riservati. Stampato in Italia. Nessuna parte di questo libro può essere riprodotta, memorizzata in sistemi di archivio, o trasmessa in qualsiasi forma o mezzo, elettronico, meccanico, fotocopia, registrazione o altri senza la preventiva autorizzazione scritta dell'editore.

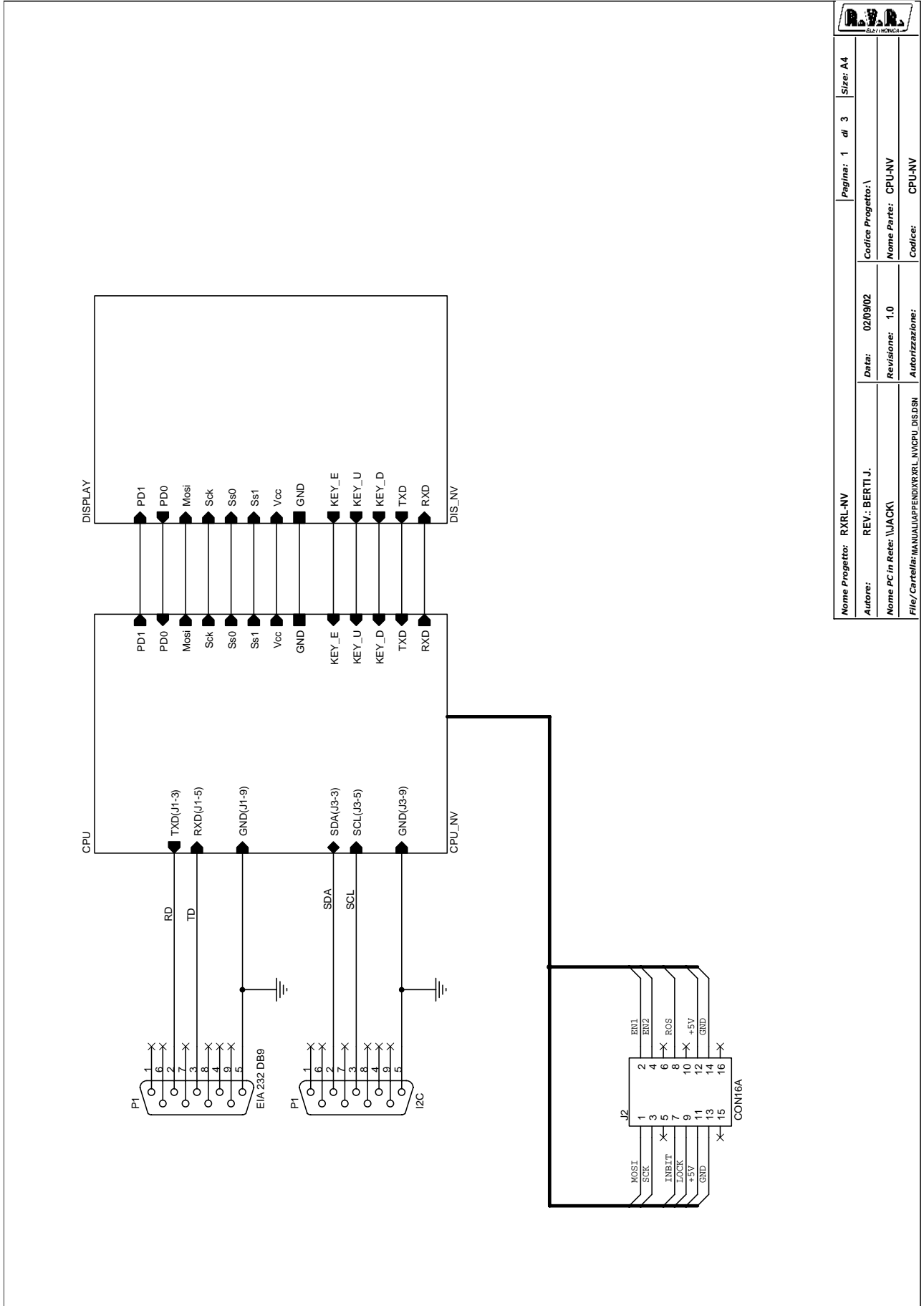
APPENDIX

Description	RVR Code	Vers.	Page
Block Diagram	/	0.1	2
C.P.U. section	CPU-NV	0.1	10
P.L.L. Card	CSSINTPLLRX	0.1	4
TCXO Card	CSTCX002	0.1	4
SAW Filter	CSFIL70SAW01	0.1	4
15 kHz filter	FLTPBE7E	0.1	4
Stereo Decoder	CSDECRXLCD01	0.1	4

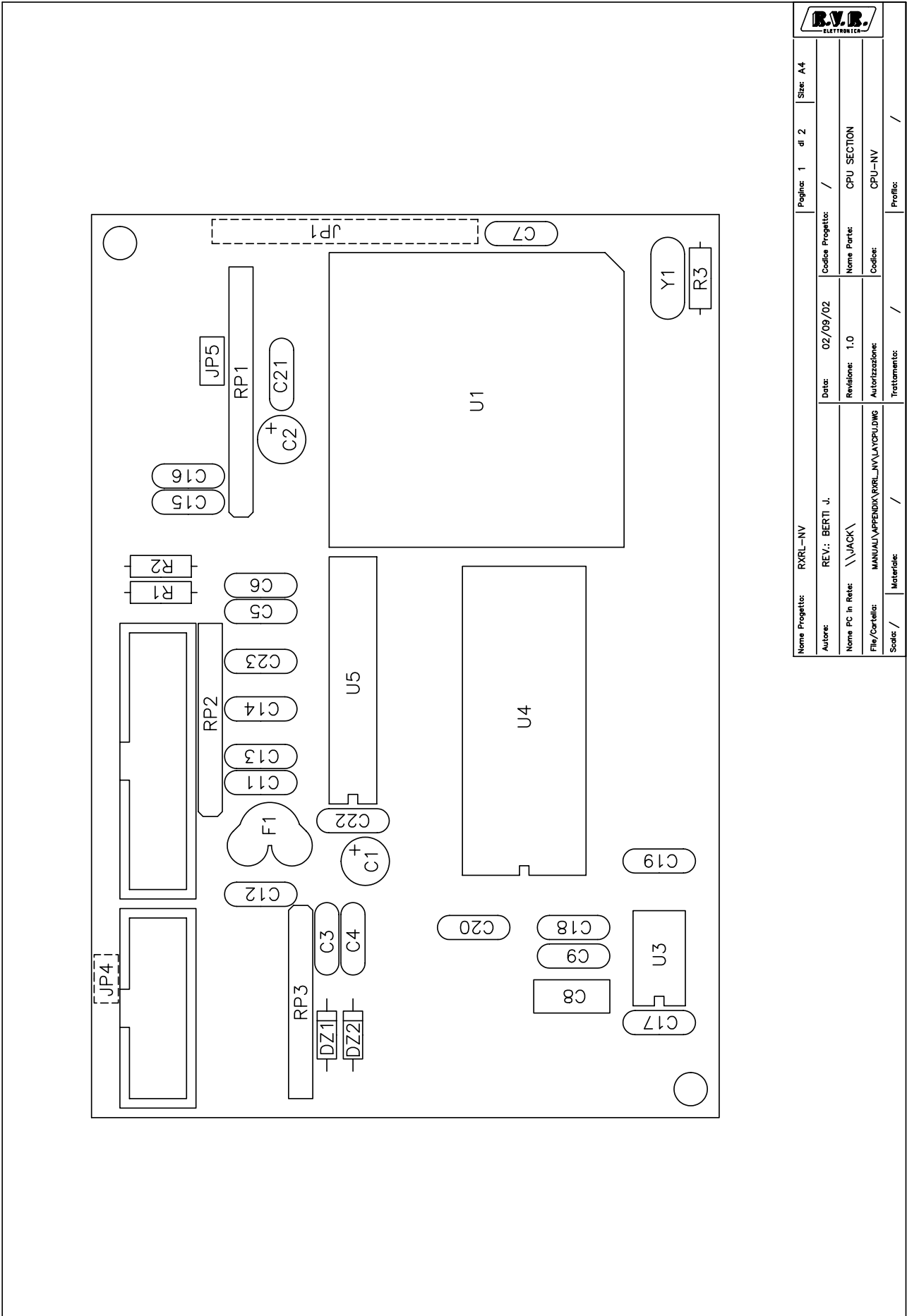
Pagina lasciata intenzionalmente in bianco



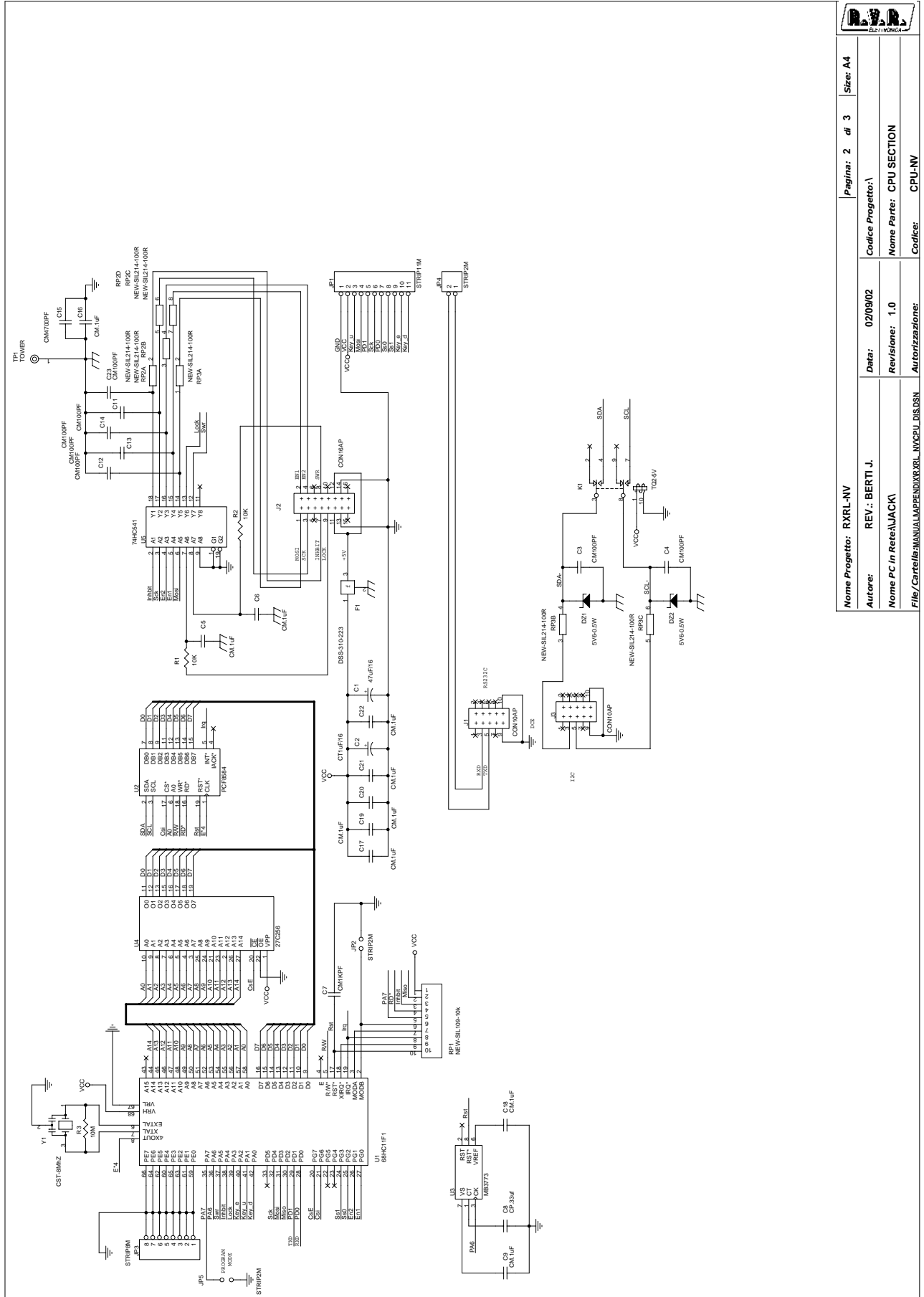
Pagina lasciata intenzionalmente in bianco



Nome Progetto: RXRL-NV		Pagina: 1 di 3		Size: A4
Autore: REV.: BERTI J.	Data: 02/09/02	Codice Progetto: \		
Nome PC in Rete: \JACK1	Revisione: 1.0	Nome Parte: CPU-NV		
File/Carrello: \MANUALI\APPENDIX\RXRL_NV\CPU_DIS\SN	Autore: BERTI J.	Codice: CPU-NV		

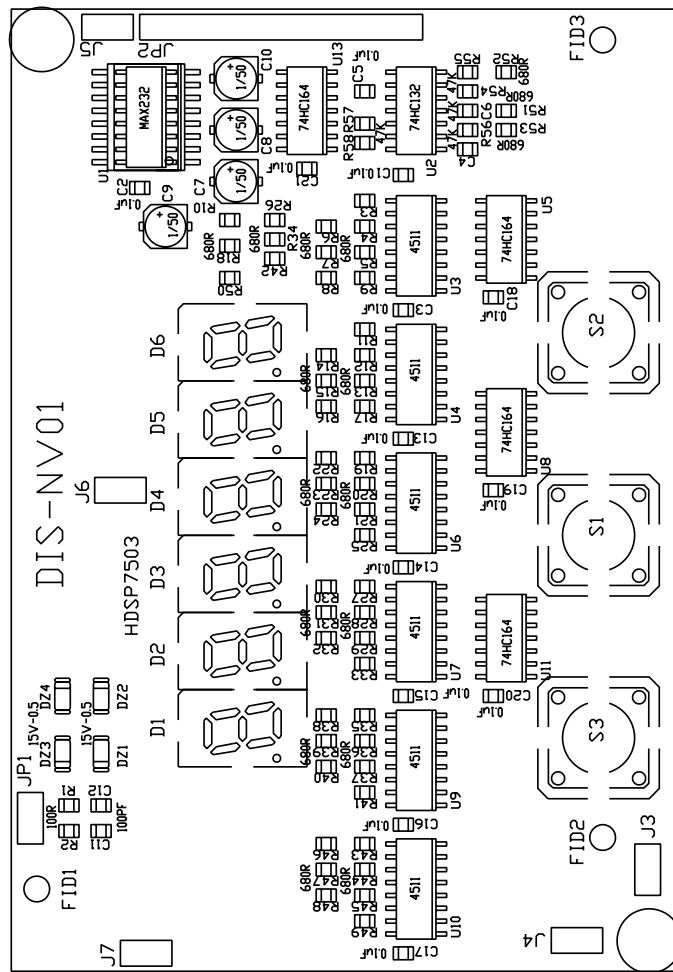


Nome Progetto: RXRL-NV		Pagina: 1	di 2	Size: A4
Autore: BERTI J.	Data: 02/09/02	Codice Progetto: /		
Nome PC in Rete: \\JACK\	Revisione: 1.0	Nome Parte: CPU SECTION		
File/Carrello: MANU\APPENDIA\RXRL_NV\LAY\PCB.DWG	Autore/Revisione:	Codice: CPU-NV		
Scala: /	Materiale: /	Trattamento: /		Profilo: /

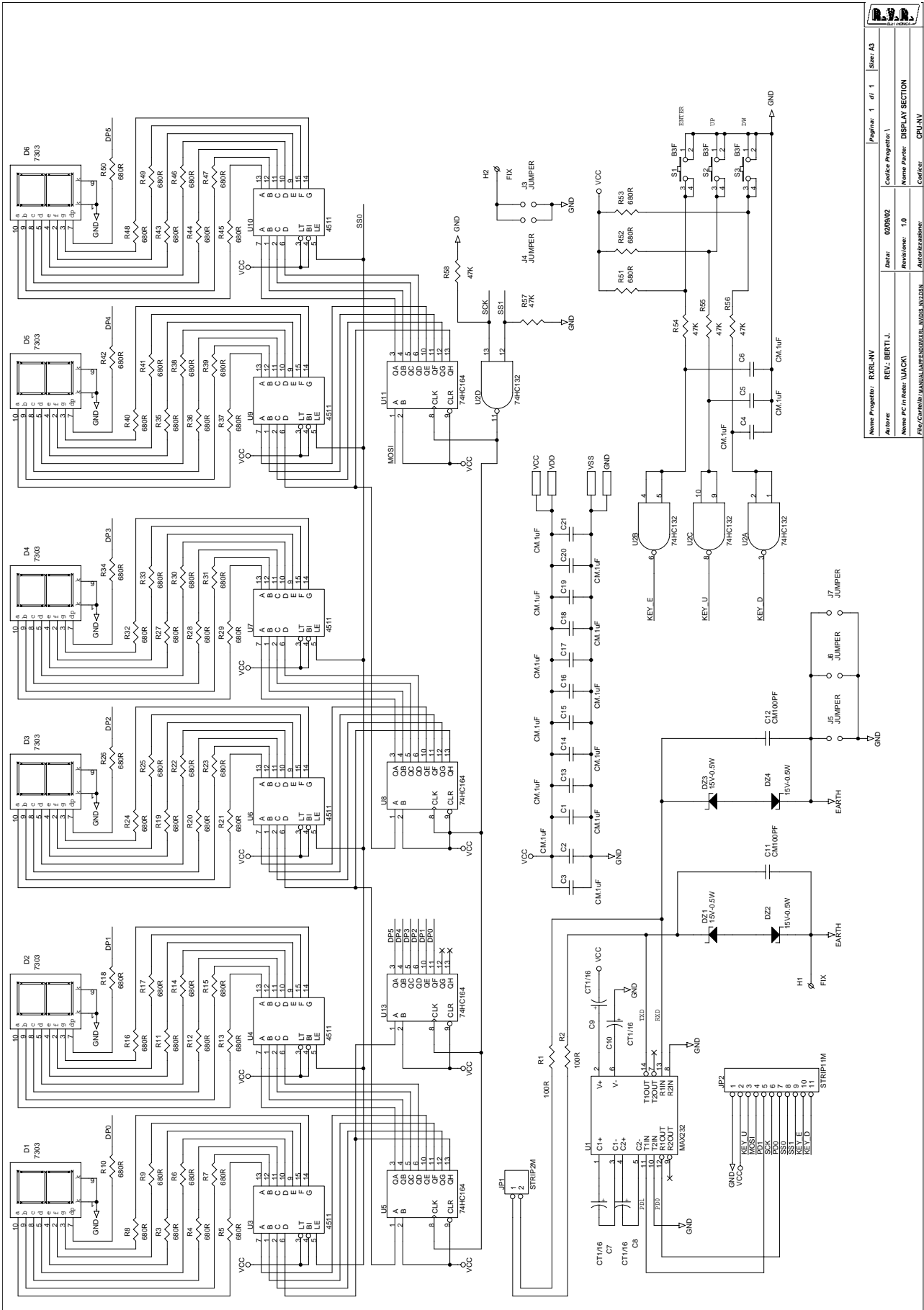


Nome Progetto: RXRL-NV	Dimensioni: 2 di 3
Autore: REV.: BERTI J.	Data: 02/09/02
Nome PC in Rete: N/A	Revisione: 1.0
File/Carte/Is/Manual/APPENDIX/RXRL-NV/CPU_DISUSEN	Autore/Revisione:
	Codice Progetto: \
	Nome Parte: CPU SECTION
	Codice: CPU-NV

Item	Quantity	Reference	Part
1	1	C1	47UF/16
2	1	C2	CT1UF/16
3	7	C3,C4,C11,C12,C13,C14, C23	CM100PF
4	10	C5,C6,C9,C16,C17,C18,C19, C20,C21,C22	CM.1UF
5	1	C7	CM1KPF
6	1	C8	CP.33UF
7	1	C15	CM4700PF
8	2	DZ1,DZ2	5V6-0.5W
9	1	F1	DSS-310-223
10	1	JP1	STRIP11M
11	3	JP2,JP4,JP5	STRIP2M
12	1	JP3	STRIP8M
13	2	J1,J3	CON10AP
14	1	J2	CON16AP
15	1	K1	TQ2-5V
16	1	RP1	NEW-SIL109-10K
17	2	RP2,RP3	NEW-SIL214-100R
18	2	R1,R2	10K
19	1	R3	10M
20	1	TP1	TOWER
21	1	U1	68HC11F1
22	1	U2	PCF8584
23	1	U3	MB3773
24	1	U4	27C256
25	1	U5	74HC541
26	1	Y1	CST-8MHZ



R.V.R. ELETTRONICA		Pagine: 1 di 1		Size: A4	
Nome Progetto:	RXRL NV	Data:	12/09/02	Codice Progetto:	/
Autore:	REV.: BERTI J.	Revisione:	1.0	Nome Parte:	DISPLAY CPU VERSIONE 2
Nome PC in Rete:	\\JACK\	Autorizzazione:		Codice:	DIS-NV01
File/Carrello:	MANUAL\APPENDIX\RXRLNV\DIS_MNT.DWG	Trattamento:	/	Profilo:	/
Scala:	1:1				

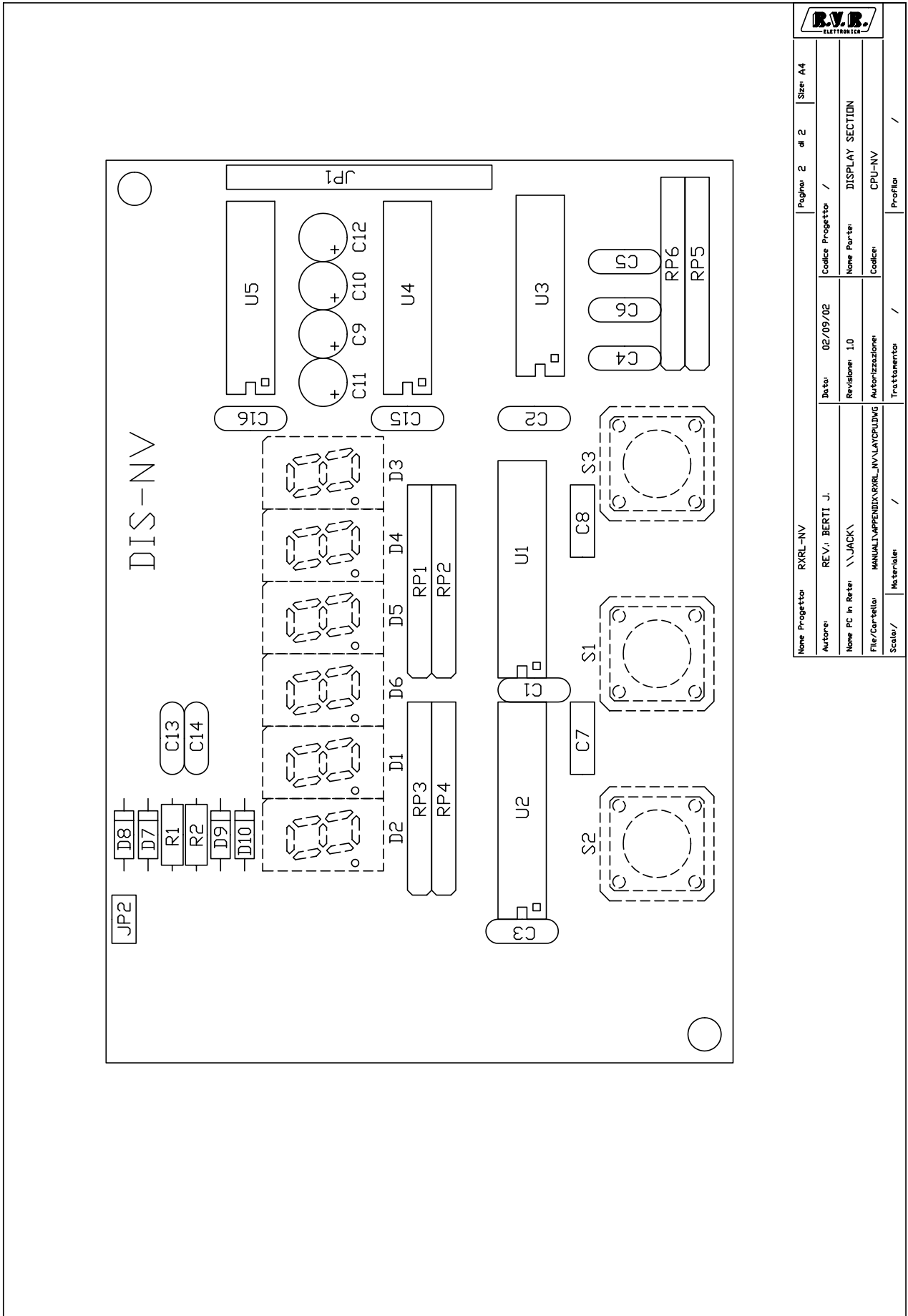


Nome Progetto:	RXRL-NV	Page:	1 di 1	Scale:	A3
Autore:	REV. BERTI J.	Data:	02/09/02	Confice Progetto:	1
Nome PC in Rete:	WACKI	Revisione:	1.0	Nome Parte:	DISPLAY SECTION
File/Cat/Dir/El:	MANUALI/ANALOGI/RS232/INVO3/INVO3.A3N	Autore/Revisione:		Confice:	CPU/INV

DISPLAY SECTION Bill Of Materials

Page1

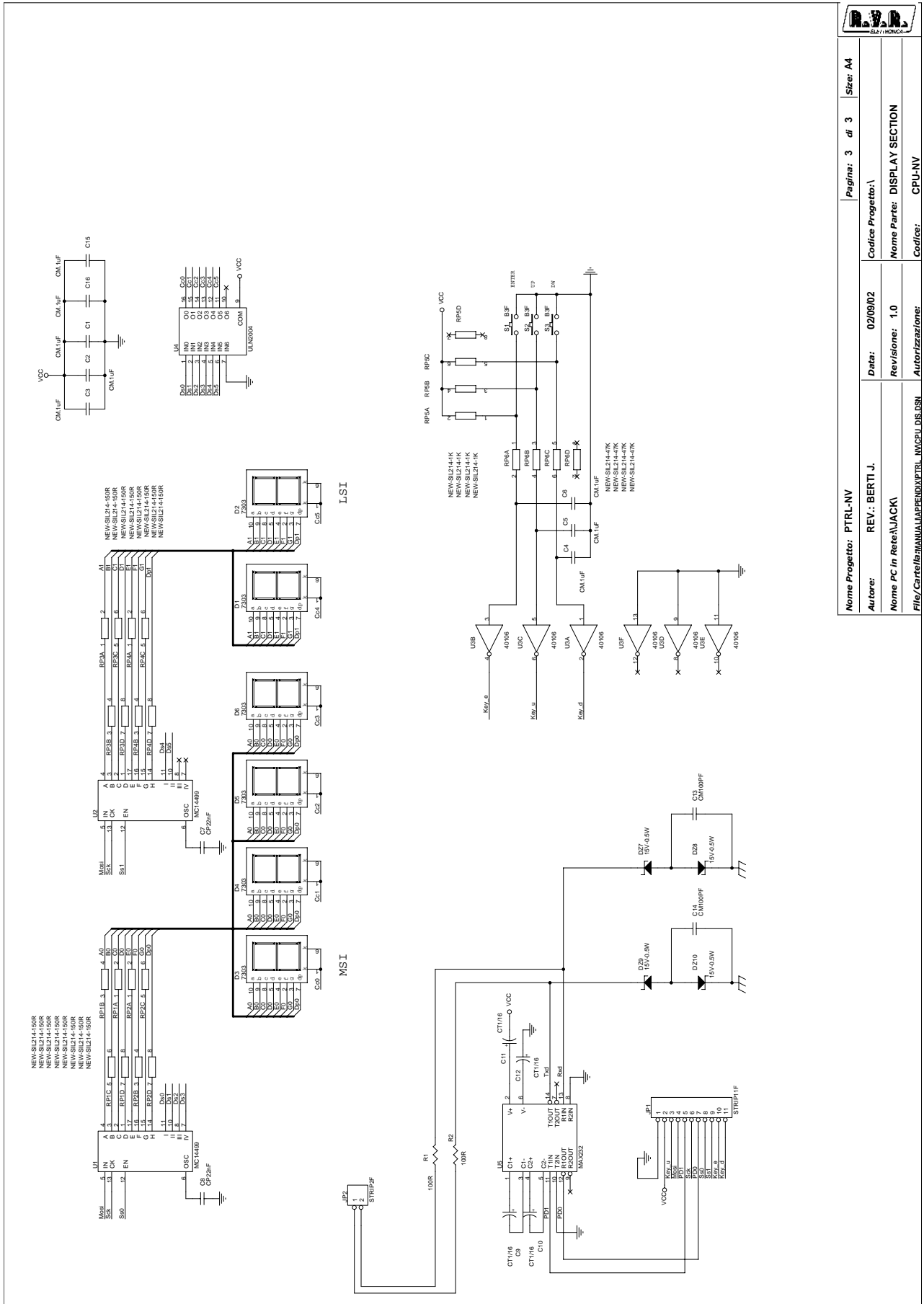
Item	Q.ty	Reference	Part
1	15	C1,C2,C3,C4,C5,C6,C13, C14,C15,C16,C17,C18,C19, C20,C21	CM.1uF
2	4	C7,C8,C9,C10	CT1/16
3	2	C11,C12	CM100PF
4	4	DZ1,DZ2,DZ3,DZ4	15V-0.5W
5	6	D1,D2,D3,D4,D5,D6	7303
6	2	H2,H1	FIX
7	1	JP1	STRIP2M
8	1	JP2	STRIP11M
9	5	J3,J4,J5,J6,J7	JUMPER
10	2	R1,R2	100R
11	51	R3,R4,R5,R6,R7,R8,R9,R10, R11,R12,R13,R14,R15,R16, R17,R18,R19,R20,R21,R22, R23,R24,R25,R26,R27,R28, R29,R30,R31,R32,R33,R34, R35,R36,R37,R38,R39,R40, R41,R42,R43,R44,R45,R46, R47,R48,R49,R50,R51,R52, R53	680R
12	5	R54,R55,R56,R57,R58	47K
13	3	S1,S2,S3	B3F
14	1	U1	MAX232
15	1	U2	74HC132
16	6	U3,U4,U6,U7,U9,U10	4511
17	4	U5,U8,U11,U13	74HC164



		Pagina: 2 di 2		Size: A4	
Nome Progetto: RXRL-NV	Autore: REV, BERTI J.	Data: 02/09/02	Codice Progetto: /	Nome Parte: DISPLAY SECTION	Codice: CPU-NV
Nome PC in Rete: \\JACK	Revisione: 1.0	Autorizzazione:	Trattamento: /	Profilo: /	/
File/Cartella: MANUALE\APPENDIX\RXRL_NV\AVCPUB.DWG	Scala: /	Materiale: /	/	/	/

Versione precedente, solo per riferimento

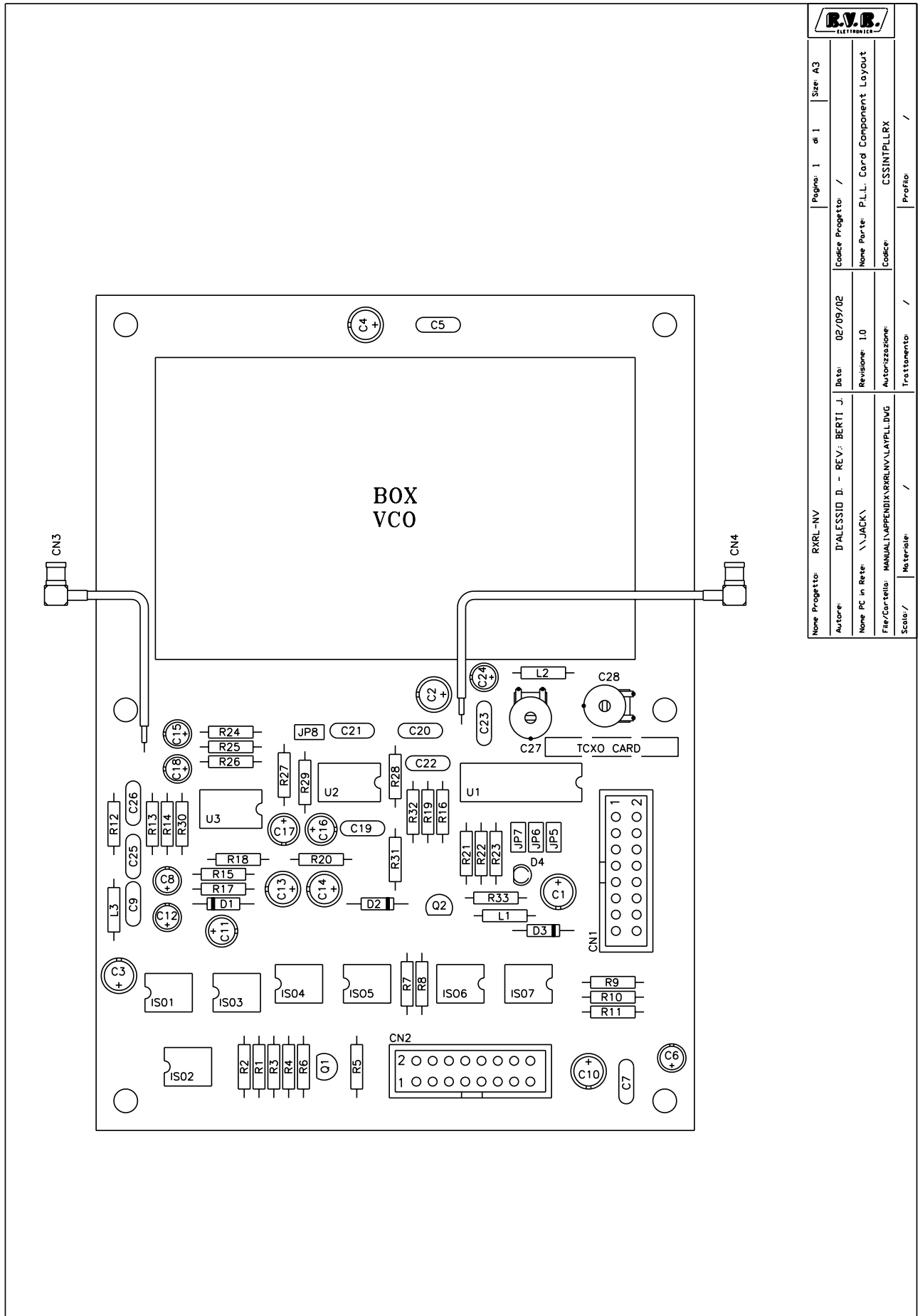
Former version, for reference only



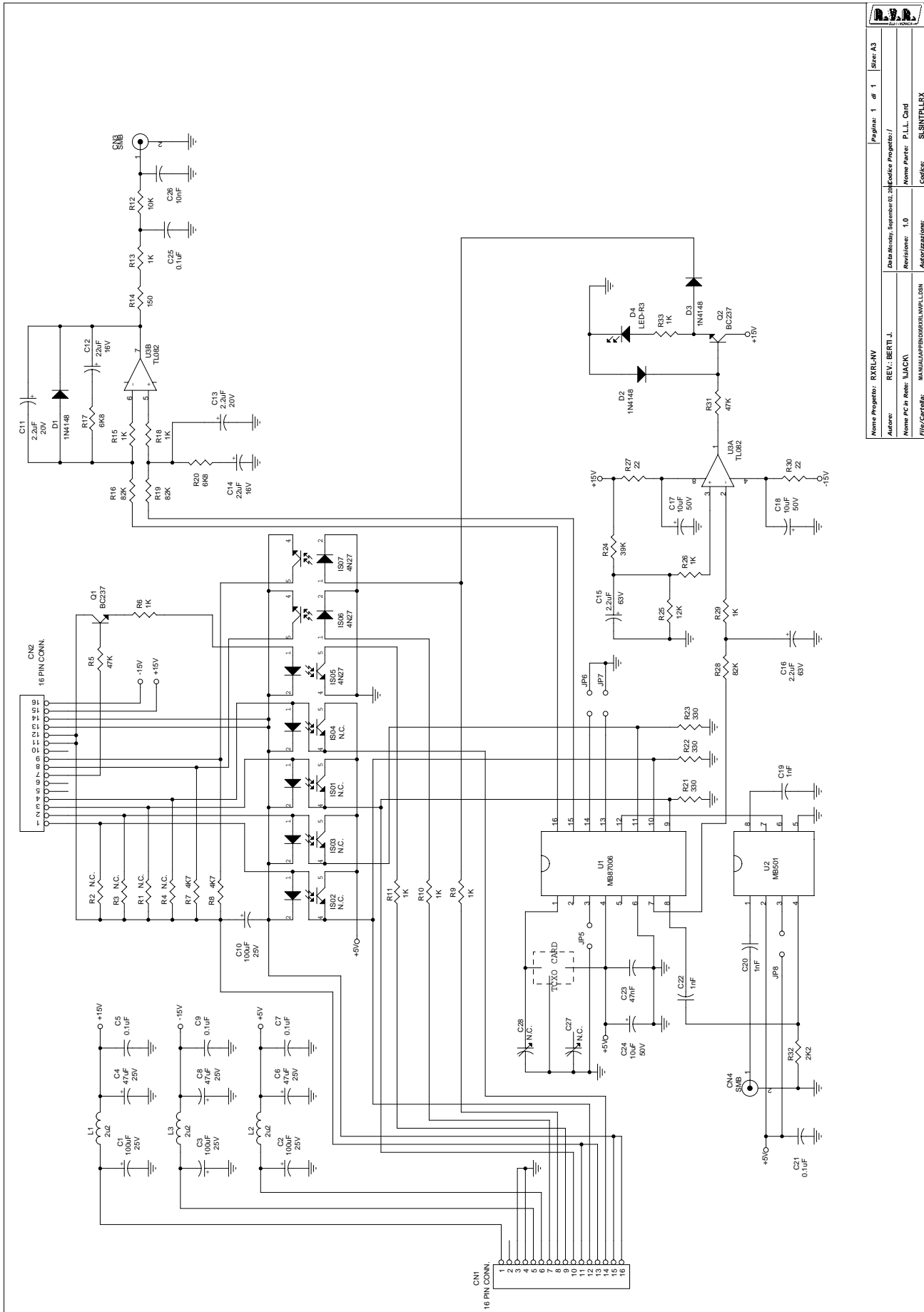
		Pagina: 3 di 3	Size: A4
Nome Progetto: PTRL-NV	Data: 02/09/02	Codice Progetto: 1	
Autore: REV.: BERTI J.	Revisione: 1.0	Nome Parte: DISPLAY SECTION	
Nome PC in Rete: \JACK1	Autorizzazione:	Codice: CPU-NV	
File: \Cartelle\MANUALI\APPENDIX\CTRL_NV\CPU_DS.DSN			

Versione precedente, solo per riferimento
Former version, for reference only

Item	Quantity	Reference	Part
1	8	C1,C2,C3,C4,C5,C6,C15,C16	CM.1UF
2	2	C7,C8	CP22NF
3	4	C9,C10,C11,C12	CT1/16
4	2	C13,C14	CM100PF
5	4	DZ7,DZ8,DZ9,DZ10	15V-0.5W
6	6	D1,D2,D3,D4,D5,D6	7303
7	1	JP1	STRIP11F
8	1	JP2	STRIP2F
9	4	RP1,RP2,RP3,RP4	NEW-SIL214-150R
10	1	RP5	NEW-SIL214-1K
11	1	RP6	NEW-SIL214-47K
12	2	R1,R2	100R
13	3	S1,S2,S3	B3F
14	2	U1,U2	MC14499
15	1	U3	40106
16	1	U4	ULN2004
17	1	U5	MAX232



		Nome Progetto: RXRL-NV	Pagina: 1	di: 1	Size: A3
Autore: D'ALESSIO D. - REV: BERTI J	Data: 02/09/02	Codice Progetto: /			
Nome PC in Rete: \\JACK\	Revisione: 1.0	Nome Parte: P.L.L. Cord Component Layout			
File/Cartello: MANUAL\APPENDIX\RXRL\NV\LAYPL.DWG	Autorizzazione:	Codice: CSSINTPLLRX			
Scala: /	Materiale: /	Trattamento: /	Profilo: /		



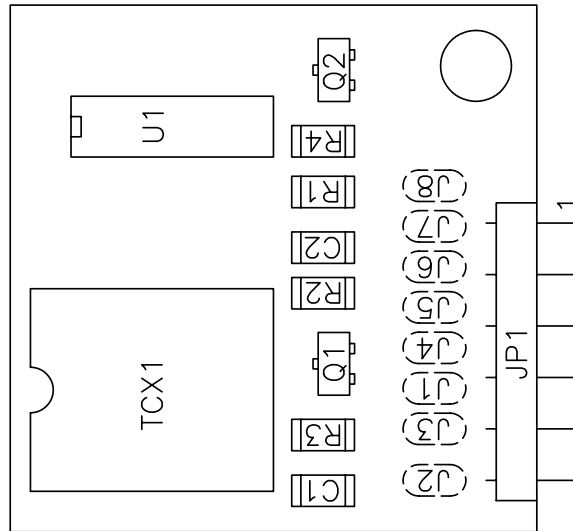
R.V.R. ELETTRONICA	
Nome Progetto: RXRL-NV	Pagina: 1 di 1
Autore: REV.: BERTI J.	Data Modifica: Settembre 2002
Nome PC in Rete: WACKI	Revisione: 1.0
File/Caratteri: MANUALEPRODOTTORE\WV\LS0N	Autore/Revisione: P.L.L. Card
	Software: CSSINTPLLRX

P.L.L. Card Bill Of Materials 0Page1

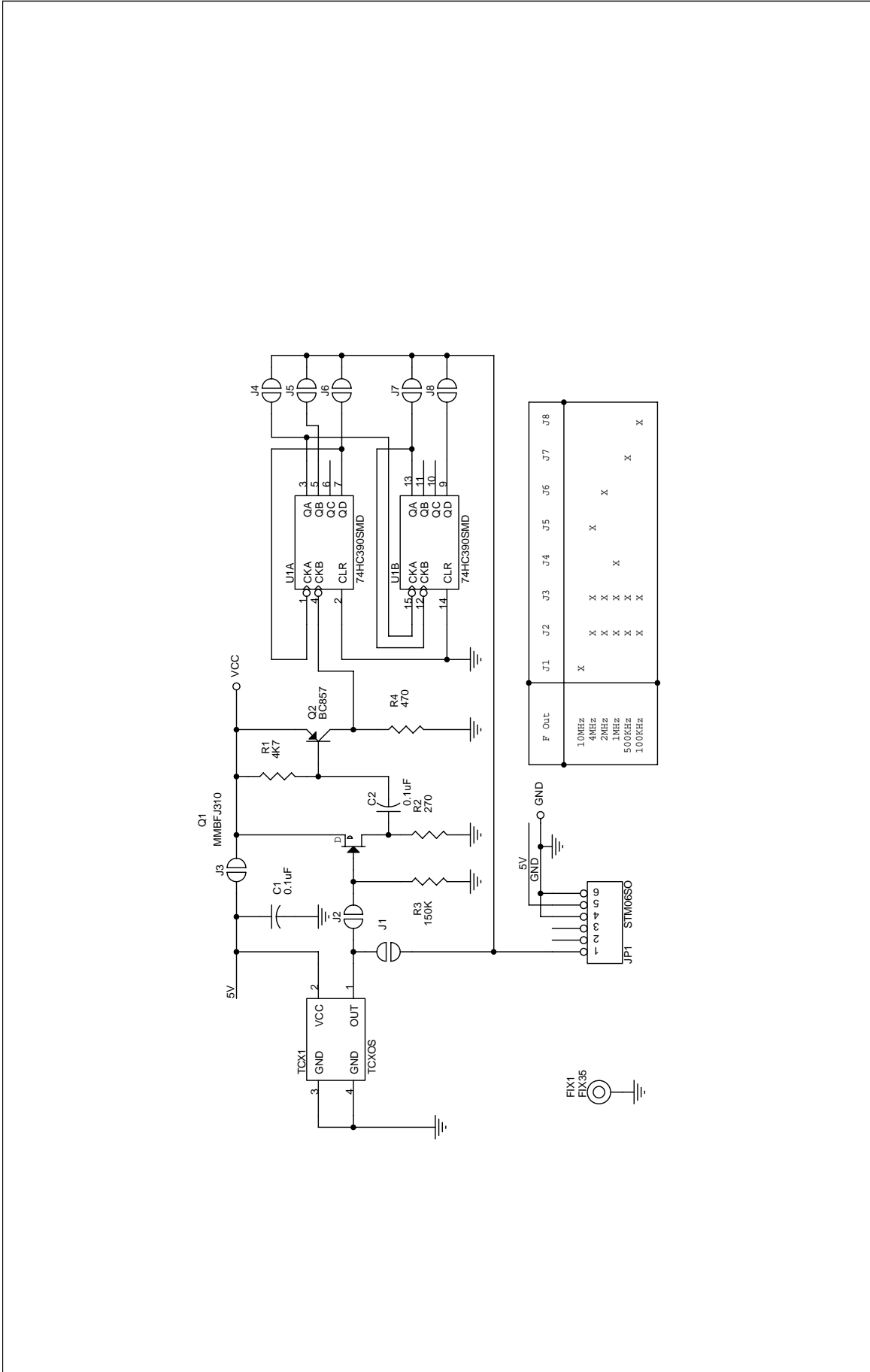
Item Q.ty Reference Part

1	2	CN1,CN2	16 PIN CONN.
2	2	CN4,CN3	SMB
3	4	C1,C2,C3,C10	100uF
4	3	C4,C6,C8	47uF
5	5	C5,C7,C9,C21,C25	0.1uF
6	4	C11,C13,C15,C16	2.2uF
7	2	C12,C14	22uF
8	3	C17,C18,C24	10uF
9	3	C19,C20,C22	1nF
10	1	C23	47nF
11	1	C26	10nF
12	10	R1,IS01,R2,IS02,R3,IS03, R4,IS04,C27,C28	N.C.
13	3	D1,D2,D3	1N4148
14	1	D4	LED-R3
15	3	IS05,IS06,IS07	4N27
16	4	JP5,JP6,JP7,JP8	2 PIN STRIP
17	3	L1,L2,L3	2u2
18	2	Q2,Q1	BC237
19	2	R31,R5	47K
20	10	R6,R9,R10,R11,R13,R15, R18,R26,R29,R33	1K
21	2	R7,R8	4K7
22	1	R12	10K
23	1	R14	150
24	3	R16,R19,R28	82K
25	2	R17,R20	6K8
26	3	R21,R22,R23	330
27	1	R24	39K
28	1	R25	12K
29	2	R27,R30	22
30	1	R32	2K2
31	1	U1	MB87006
32	1	U2	MB501
33	1	U3	TL082

Pagina lasciata intenzionalmente in bianco
This page was intentionally left blank



		Nome Progetto: RXRL-NV	Pagine: 1 di 1	Size: A4	
Autore:	D'ALESSIO D.	Data:	02/09/02	Codice Progettista:	/
Nome PC in Rete:	\\JACK\	Revisione:	1.0	Nome Parte:	SCHEMA TCXO
File/Cartella:	MANUALI\PERFIDIA\RXRL\NV\LAY\TCXO.DWG	Autorizzazione:		Codice:	CSTCX002
Scala:	/	Titolamento:	/	Profilo:	/



F. Out	J1	J2	J3	J4	J5	J6	J7	J8
1.0MHz	X							
4MHz		X			X			
2MHz		X		X				
1MHz		X	X					
500KHz		X	X	X			X	
1.00KHz		X	X	X	X			X

		Nome Progetto: RXRL-NV	Pagina: 1 di 1	Size: A4
Autore: REV.: BERTI J.		Data: 02/09/02	Codice Progetto: /	
Nome FC in Rete: \JACKI		Revisione: 1.0	Nome Parte: SCHEDA TCXO	
File/ Cartelle: MANUALEPENDINGRRUNVTCXO.LDBN		Autore: BERTI J.	Codice: CSTCX002	

TCXO10MHZ

Bill Of Materials

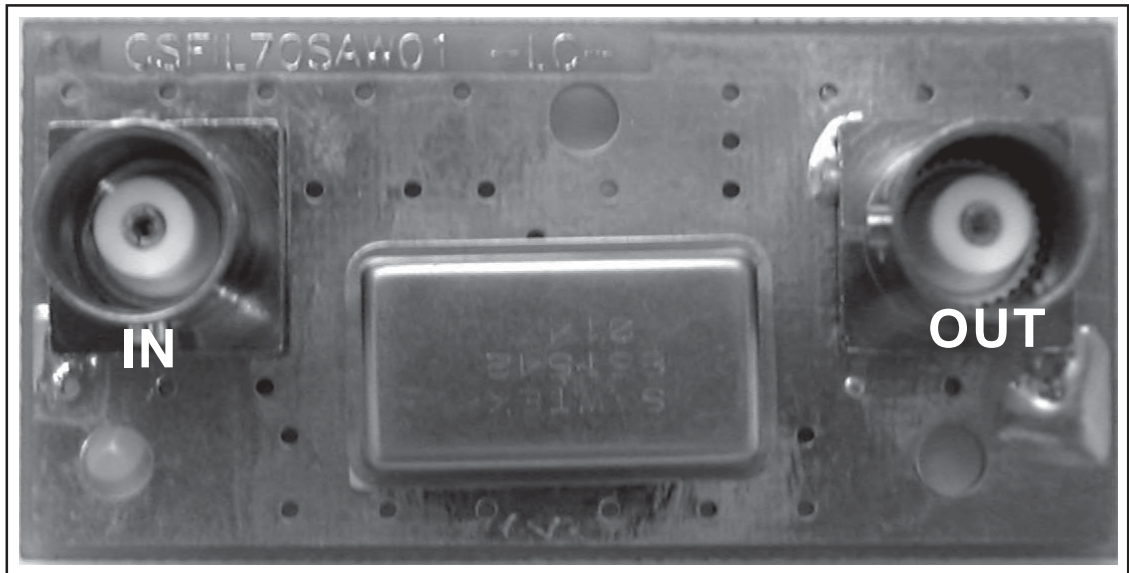
Page 1

Item	Quantity	Reference	Part
1	2	C1,C2	0.1uF
2	1	FIX1	FIX35
3	1	JP1	STM06SO
4	8	J1,J2,J3,J4,J5,J6,J7,J8	J5MD
5	1	Q1	MMBFJ310
6	1	Q2	BC857
7	1	R1	4K7
8	1	R2	270
9	1	R3	150K
10	1	R4	470
11	1	TCX1	TCXOS
12	1	U1	HC390SMD

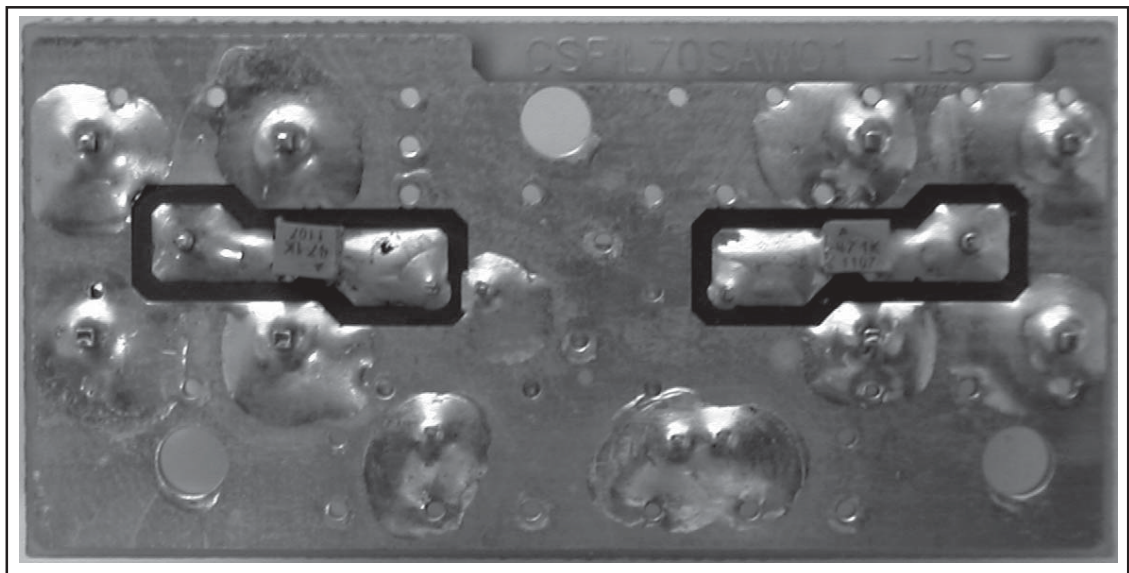
Pagina lasciata intenzionalmente in bianco
This page was intentionally left blank

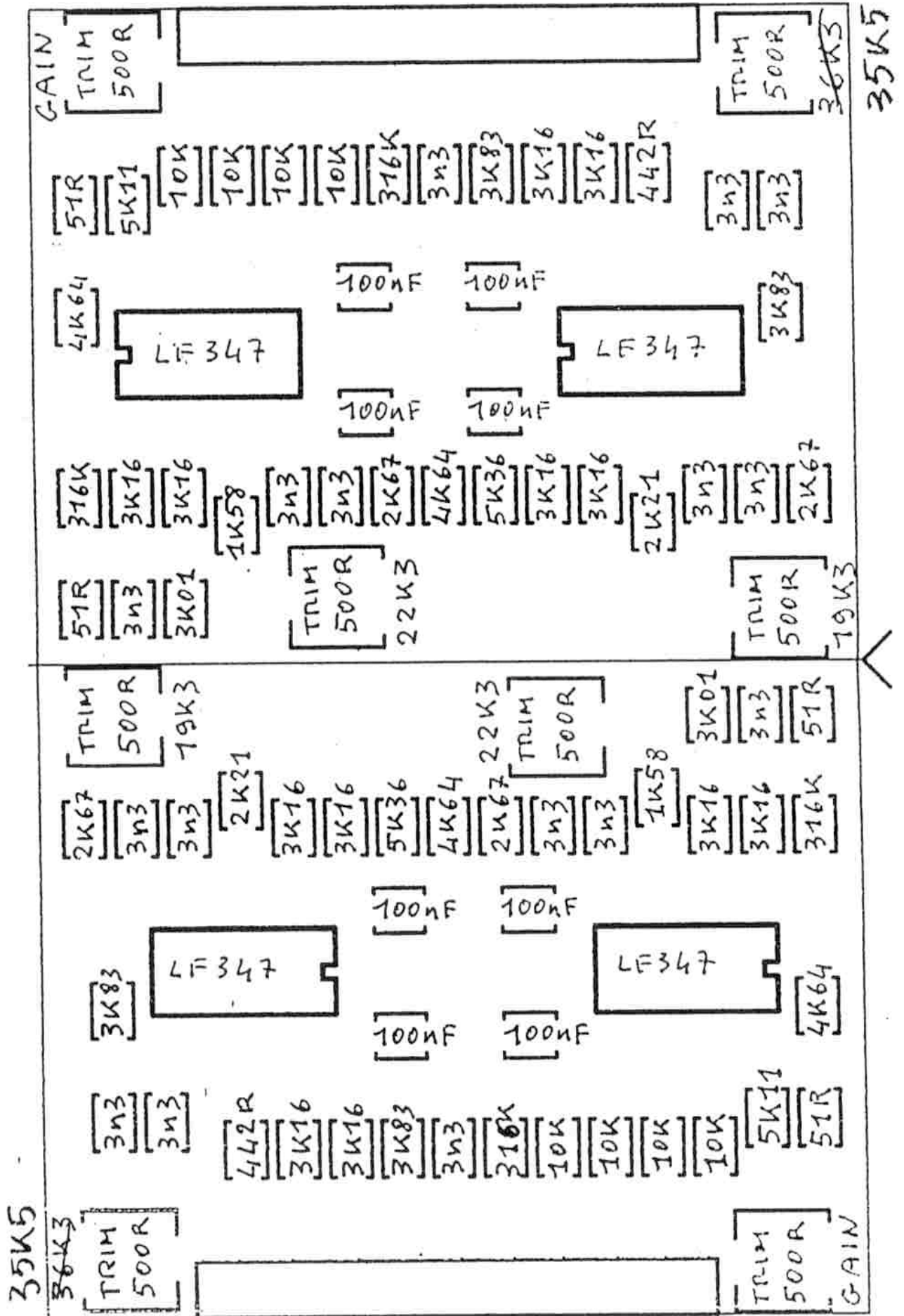
1. 70 Mhz Bandpass Filter

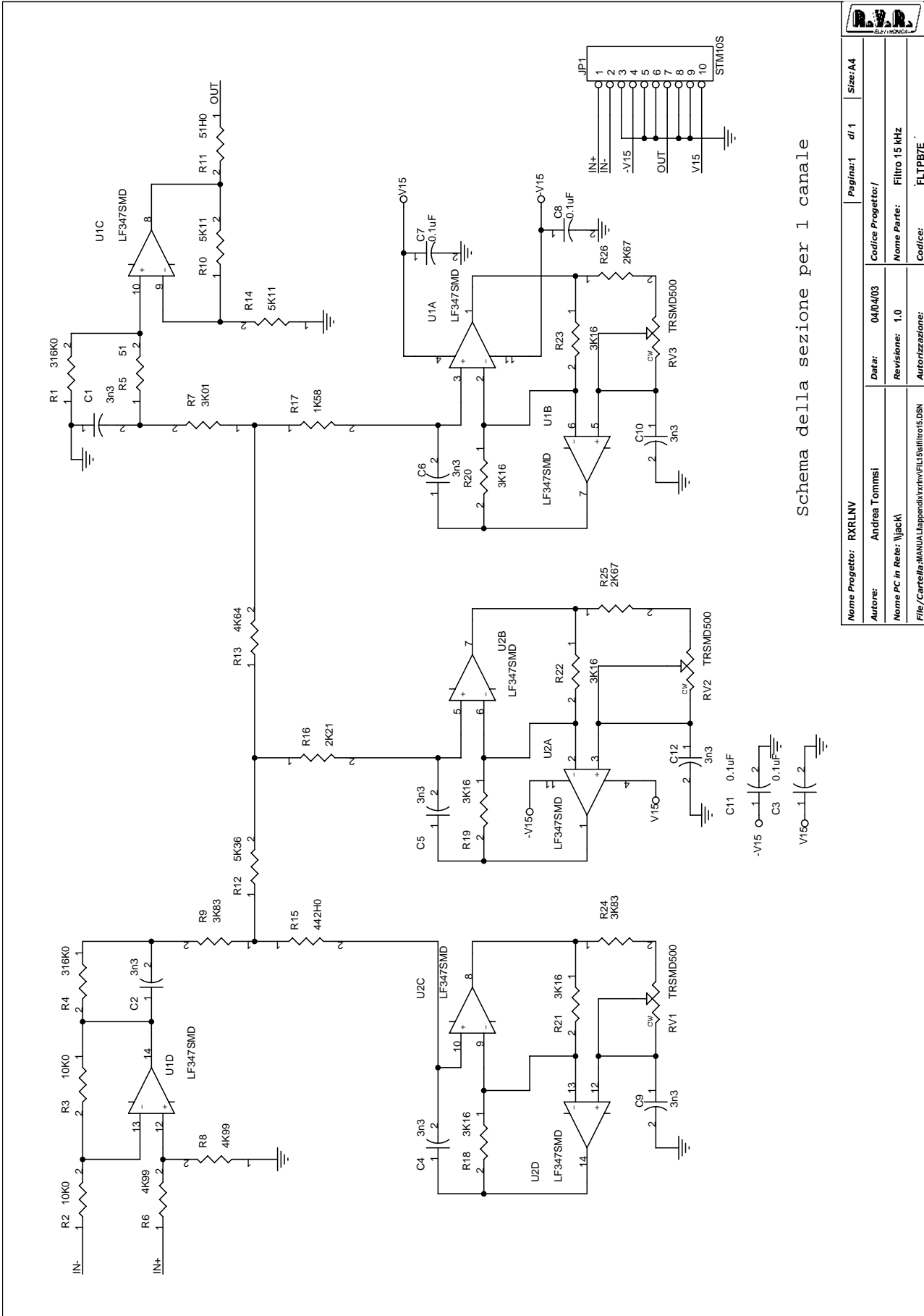
1.1 Frontal View



1.2 Rear View





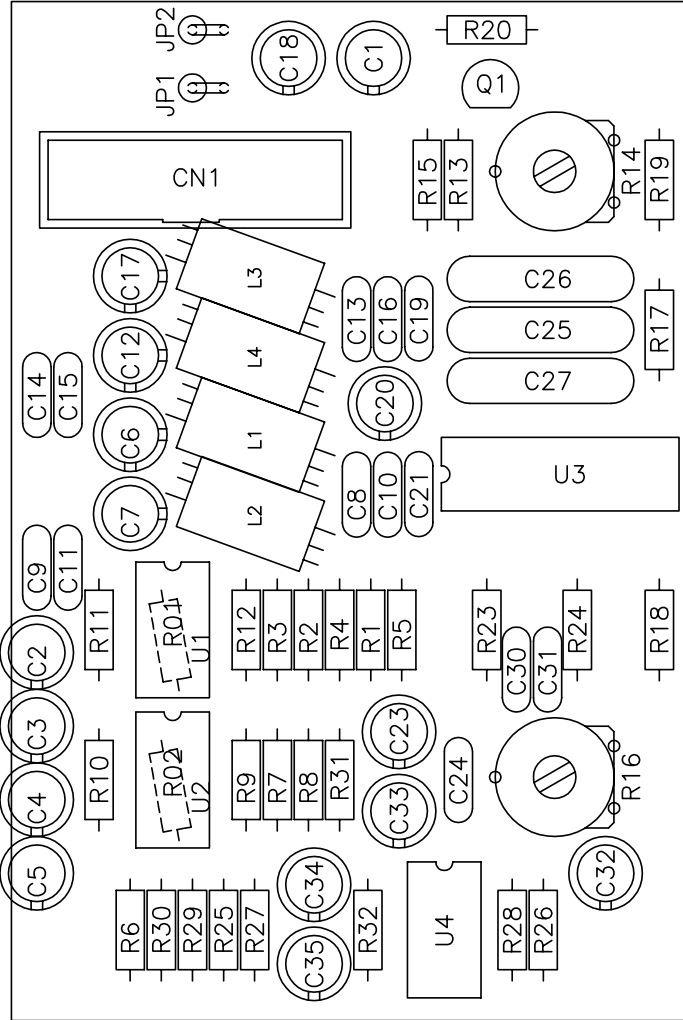


Nome Progetto: RXRLNV		Pagina: 1 di 1		Size: A4
Autore: Andrea Tommsi		Data: 04/04/03		Codice Progetto: /
Nome PC in Rete: \\jackl		Revisione: 1.0		Nome Parte: Filtro 15 kHz
File/Cartella: \\MANUA\lappendix\rv\rv\U15\U15\U15.DSN		Autorizzazione:		Codice: FLTPB7E

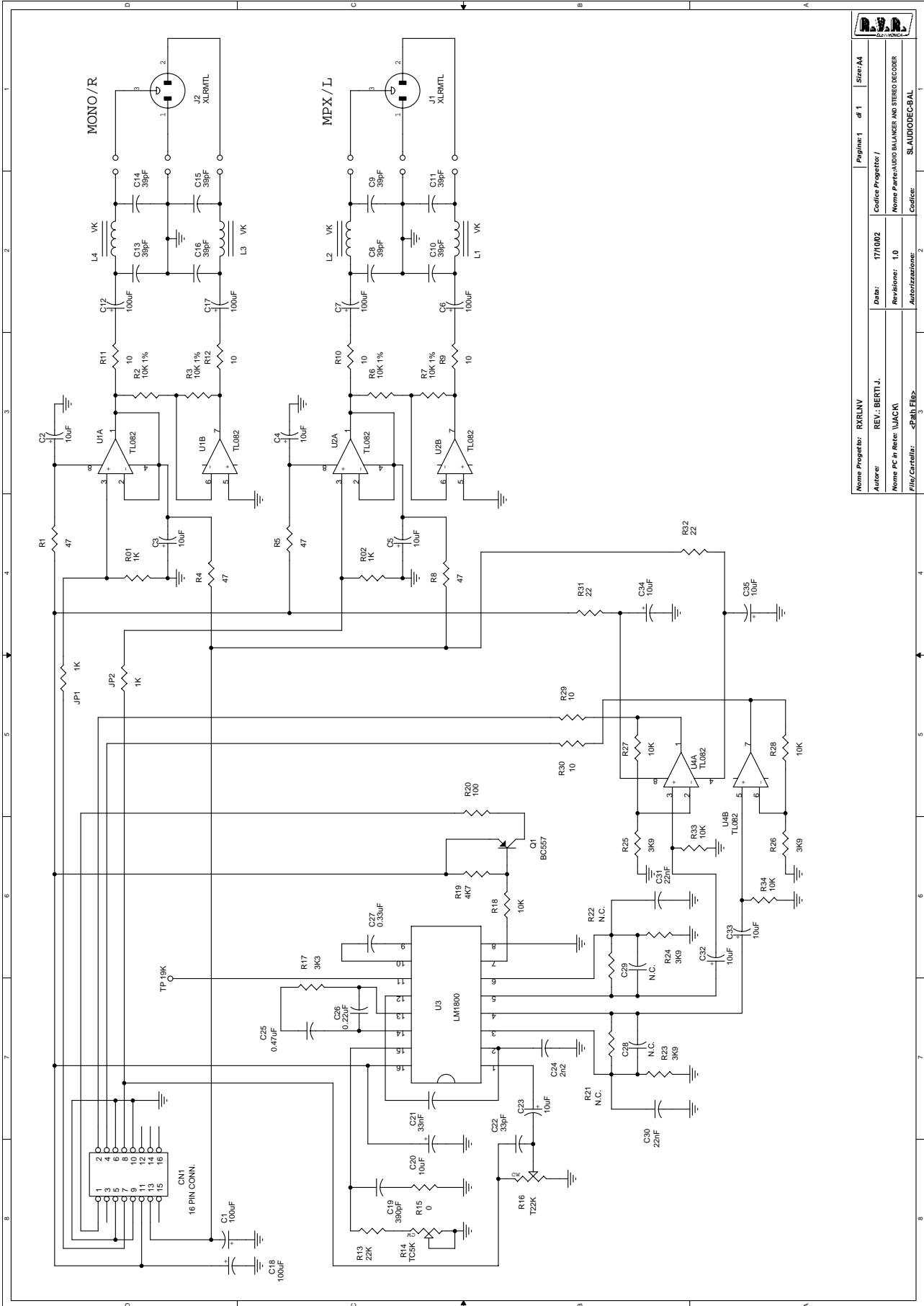
FLTPBE7E

Item	Quantity	Reference	Part
1	8	C1,C2,C4,C5,C6,C9,C10, C12	3n3
2	4	C3,C7,C8,C11	0.1uF
3	3	RV1,RV2,RV3	TRSMD500
4	2	R4,R1	316K0
5	2	R3,R2	10K0
6	1	R5	51
7	2	R6,R8	4K99
8	1	R7	3K01
9	2	R24,R9	3K83
10	2	R10,R14	5K11
11	1	R11	51H0
12	1	R12	5K36
13	1	R13	4K64
14	1	R15	442H0
15	1	R16	2K21
16	1	R17	1K58
17	6	R18,R19,R20,R21,R22,R23	3K16
18	2	R25,R26	2K67
19	2	U1,U2	LF347SMD

Pagina lasciata intenzionalmente in bianco
This page was intentionally left blank



	DENOMINAZIONE	
	Stereo Decoder Card Componet Layout / Piano di Montaggio	
	DISPOSITIVO	
SEMILAVORATO	DISEGNATO	DISEGNO
MATERIALE	D'Alessio D. ti	
TRATTAMENTO	SCALA	TAVOLA n di



Nome Progetto:	RXRLNV	Page:	1	di	1	Size:	A4
Autore:	REV.: BERTI J.	Codice Progetto:	/				
Nome PC in Rete:	\LACCKI	Data:	17/10/02				
File/Carrella:	-EPRH.FIB-	Revisione:	1.0				
		Autore/Revisione:	Nome Parte/AUDIO BALANCER AND STEREO DECODER				
		Codice:	SLAUDIODEC-BAL				

Item	Q.ty	Reference	Part
1	1	CN1	16 PIN CONN.
2	6	C1,C6,C7,C12,C17,C18	100uF
3	10	C2,C3,C4,C5,C20,C23,C32, C33,C34,C35	10uF
4	8	C8,C9,C10,C11,C13,C14, C15,C16	39pF
5	1	C19	390pF
6	1	C21	33nF
7	1	C22	33pF
8	1	C24	2n2
9	1	C25	0.47uF
10	1	C26	0.22uF
11	1	C27	0.33uF
12	4	R21,R22,C28,C29	N.C.
13	2	C30,C31	22nF
14	4	R01,JP1,R02,JP2	1K
15	2	J2,J1	XLRMTL
16	4	L1,L2,L3,L4	VK
17	1	Q1	BC557
18	4	R1,R4,R5,R8	47
19	4	R2,R3,R6,R7	10K 1%
20	6	R9,R10,R11,R12,R29,R30	10
21	1	R13	22K
22	1	R14	TC5K
23	1	R15	0
24	1	R16	T22K
25	1	R17	3K3
26	5	R18,R27,R28,R33,R34	10K
27	1	R19	4K7
28	1	R20	100
29	4	R23,R24,R25,R26	3K9
30	2	R31,R32	22
31	3	U1,U2,U4	TL082
32	1	U3	LM1800

Pagina lasciata intenzionalmente in bianco
This page was intentionally left blank