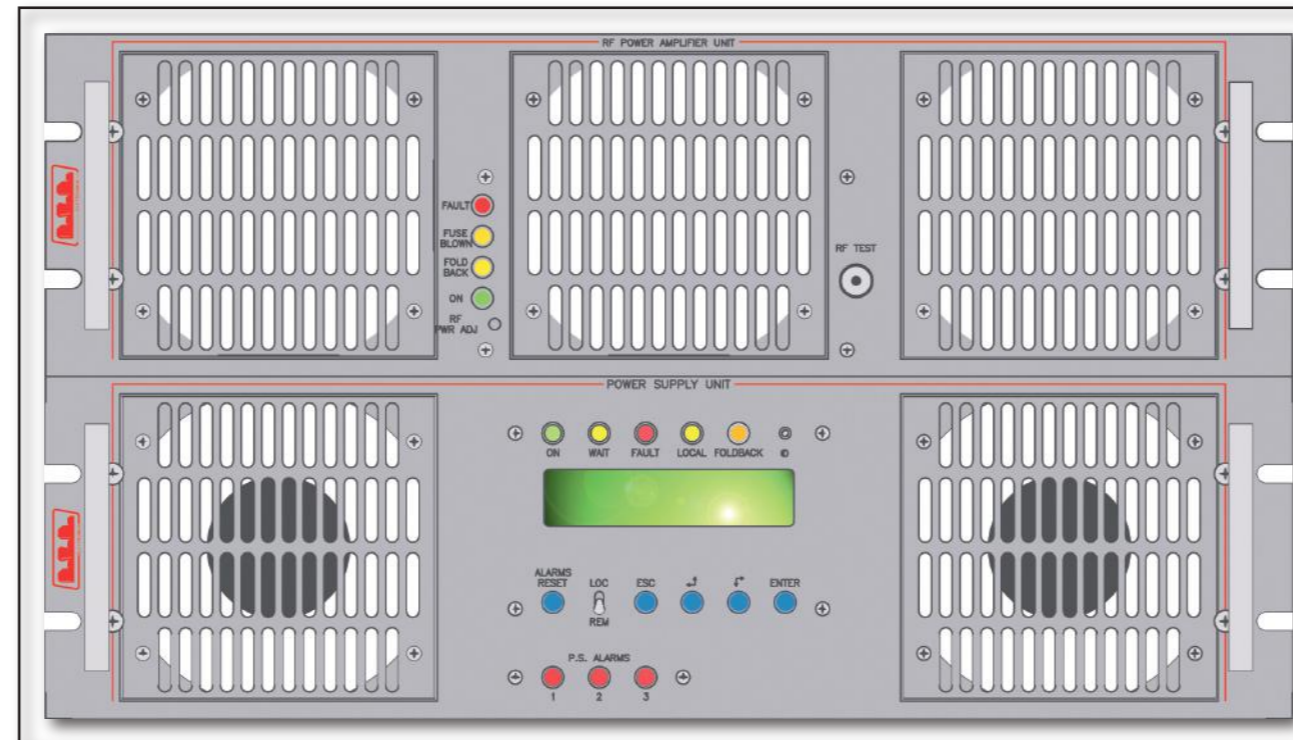

PJ2000M-C, PJ2500M-C & PJ3000M-C



User Manual Volume 2: Technical Appendix

Appendix A Piani di montaggio, schemi elettrici, liste componenti / Component layouts, schematics, bills of material

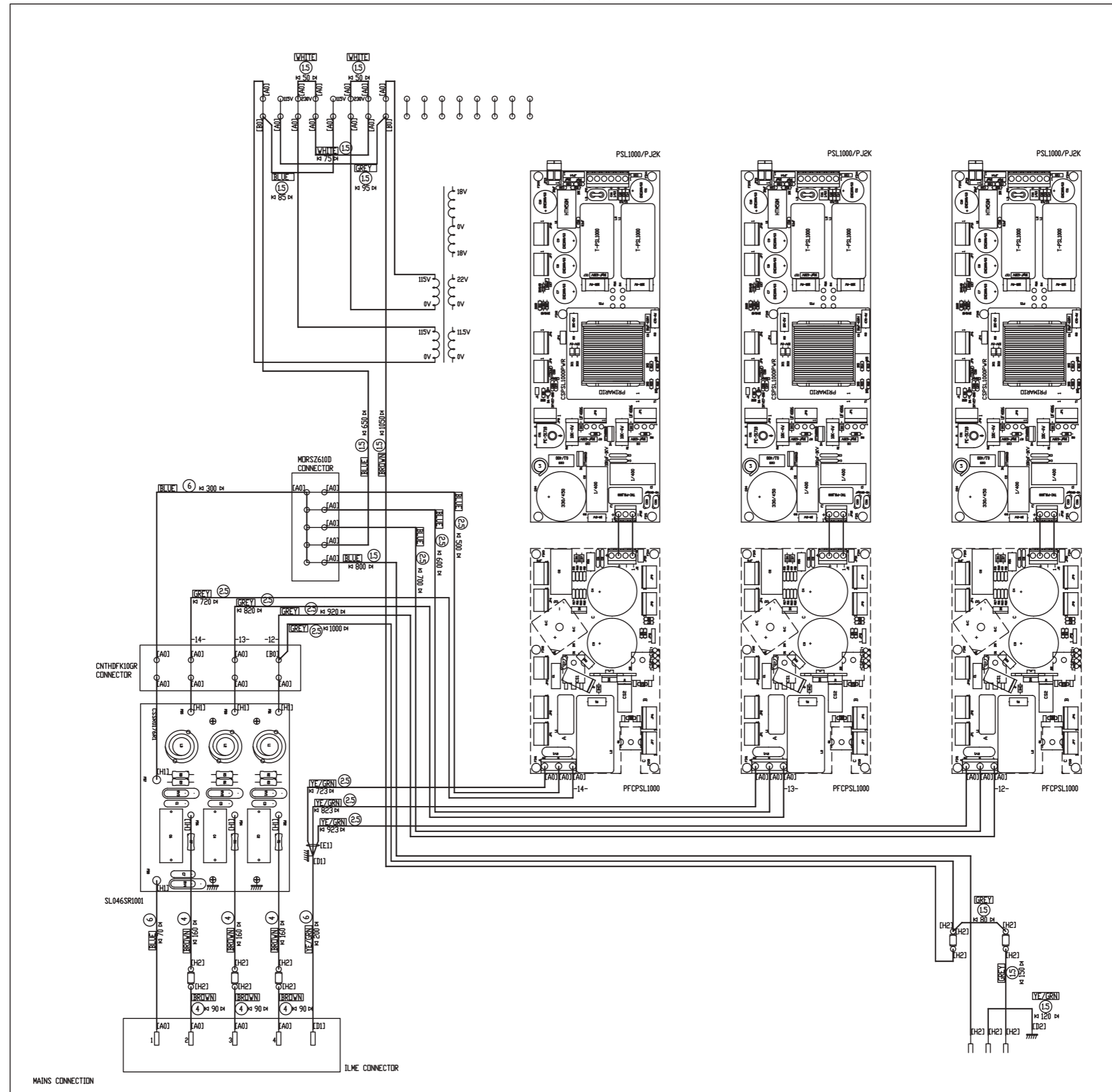
Questa parte del manuale contiene i dettagli tecnici riguardanti la costruzione delle singole schede componenti il PJ2000M-C, PJ2500M-C & PJ3000M-C. L'appendice è composta dalle seguenti sezioni:

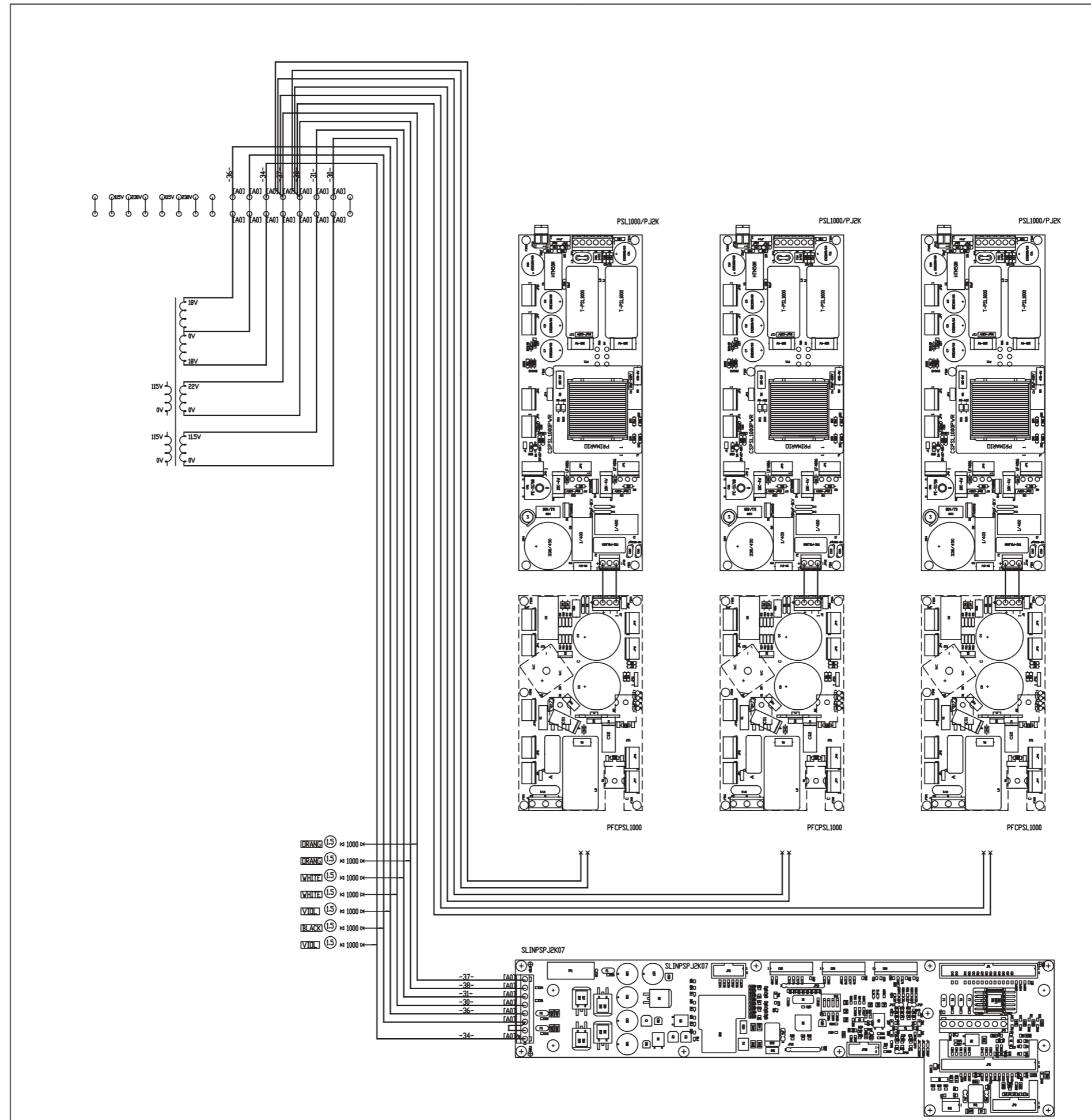
This part of the manual contains the technical details about the different boards of the PJ2000M-C, PJ2500M-C & PJ3000M-C. This appendix is composed of the following sections:

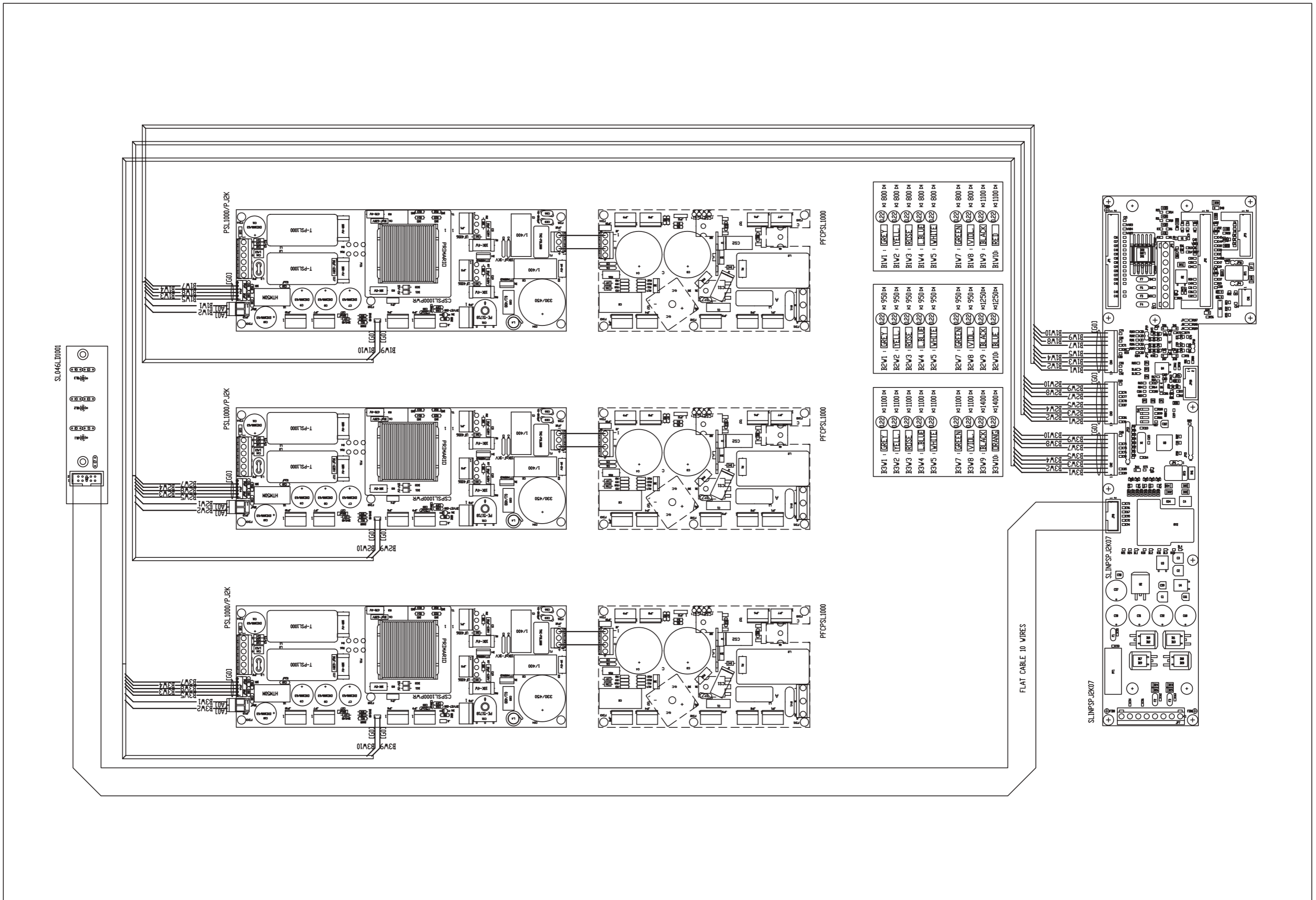
Description	PJ2000M-C PFC vers. RVR Code	PJ2000M-C RCT vers. RVR Code	PJ2500M-C PFC vers. RVR Code	PJ2500M-C RCT vers. RVR Code	PJ3000M-C PFC vers. RVR Code	Vers.	Pages
Wiring Diagrams	/	/	/	/	/	1.1	1
RF Section							
Input Power Measure	SL036MT1001	SL036MT1001	SL036MT1001	SL036MT1001	SL036MT1001	1.0	9
LEDs board RF section	SLLED RFPJ2K1	SLLED RFPJ2K1	SLLED RFPJ2K1	SLLED RFPJ2K1	SLLED RFPJ2K1	1.0	11
Striped Filter Board	KLPFPJ2KLST	KLPFPJ2KLST	KLPFPJ2KLST	KLPFPJ2KLST	/	1.0	13
Striped Filter Board	/	/	/	/	KLPFPJ4KLST	1.1	14
Power Meter Board	SL042MT1101	SL042MT1101	SL042MT1101	SL042MT1101	SL042MT1101	1.1	15
RF Input Splitter Board	SLSPLL5PJ2K	SLSPLL5PJ2K	SLSPLL5PJ2K	SLSPLL5PJ2K	SLSPLL5PJ2K	1.0	17
Bias & Measure board	SLMTPRTPJ2K1	SLMTPRTPJ2K1	SLMTPRTPJ2K1	SLMTPRTPJ2K1	/	1.2	20
Bias & Measure board	/	/	/	/	SLMTPRTPJ4K1	1.1	28
Pass-Through board	SLFILPSPJ2K1	SLFILPSPJ2K1	SLFILPSPJ2K1	SLFILPSPJ2K1	SLFILPSPJ2K1	1.0	36
CPU PS Board	CPUPJ2KMC	CPUPJ2KMC	CPUPJ2KMC	CPUPJ2KMC	CPUPJ2KMC	1.0	38
RF Fuse Board	SLFUSRFPJ2K1	SLFUSRFPJ2K1	SLFUSRFPJ2K1	SLFUSRFPJ2K1	/	1.1	43
RF Fuse Board	/	/	/	/	SLFUSRFPJ4K1	1.1	46
2kW RF Power Amplifier Board	SL042RF1001	SL042RF1001	/	/	/	1.1	92
2.5kW RF Power Amplifier Board	/	/	SL010RF4002	SL010RF4002	/	1.0	94
3kW RF Power Amplifier Board	/	/	/	/	SL046RF1002	1.0	96
3kW RF P.A. Bias Board	/	/	/	/	SL046BI1001	1.1	101
PS Section							
Interface Power Supply Board	SLINPSP2K07	SLINPSP2K07	SLINPSP2K07	SLINPSP2K07	SLINPSP2K07	1.0	49
Power Supply Board	PSL1000/PJ2K	PSL1000/PJ2K	PSL1000/PJ2K	PSL1000/PJ2K	/	1.0	52
Power Supply Board	/	/	/	/	PSL5037	1.0	59
Power Factor Correction Board	PFCPSL1000	/	PFCPSL1000	/	PFCPSL5037	1.1	68
Rectifier Board	/	RCTPSL1000	/	RCTPSL1000	/	1.0	76
CPU & Protection Board	PROTPJ-HCLD	PROTPJ-HCLD	PROTPJ-HCLD	PROTPJ-HCLD	PROTPJ-HCLD	3.1	79
LEDs board PS section	SL046LD1001	SL046LD1001	SL046LD1001	SL046LD1001	SL046LD1001	1.0	84
Protection Interface Board	SLPROTFINT01	SLPROTFINT01	SLPROTFINT01	SLPROTFINT01	SLPROTFINT01	1.1	86
Varistors Board	SL046SR1002	SL046SR1002	SL046SR1002	SL046SR1002	SL046SR1002	1.0	88
Fans Interconnection Board	SL046IN1001	SL046IN1001	SL046IN1001	SL046IN1001	SL046IN1001	1.0	90
/LD Option							
Low-Power Driver Board	SL036DR1001	SL036DR1001	SL036DR1001	SL036DR1001	/	1.1	104

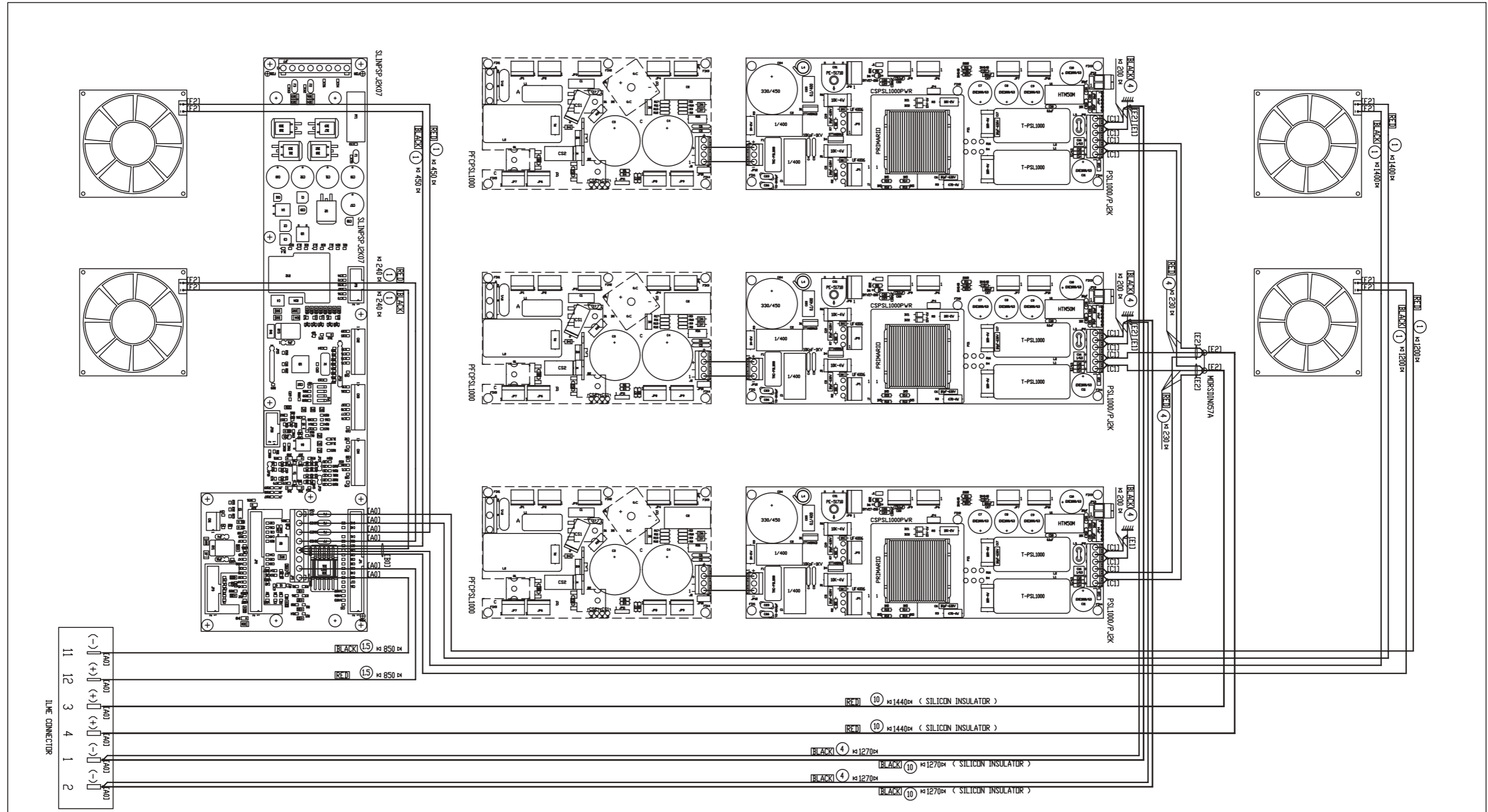
Document History

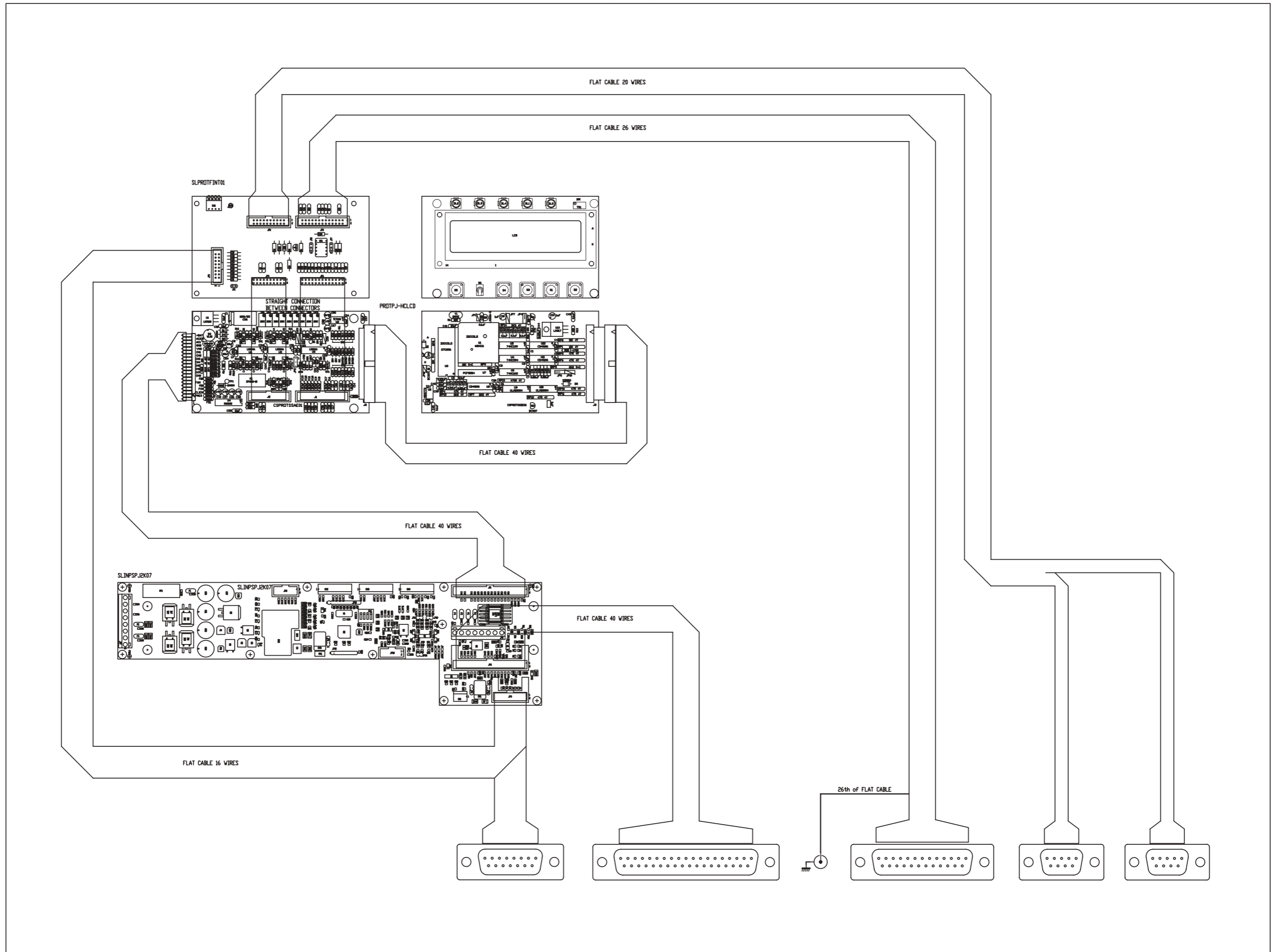
Date	Version	Reason	Code	Editor
07/02/06	1.3	Complete Updating od Appendix	RM1905, RM0206, RM0306	J.H. Berti
29/11/06	1.4	PJ3000M-C schematics integration	/	J.H. Berti
18/04/08	1.5	SL036MT1001, SL010RF4002, SLINPSP2K07, SL046LD1001, SL046SR1002 and wiring diagrams updating	/	J.H. Berti
09/01/09	1.6	SL042MT1101, SLFUSRFPJ4K1, PROTPJ-HCLD and wiring diagrams updating	/	J.H. Berti

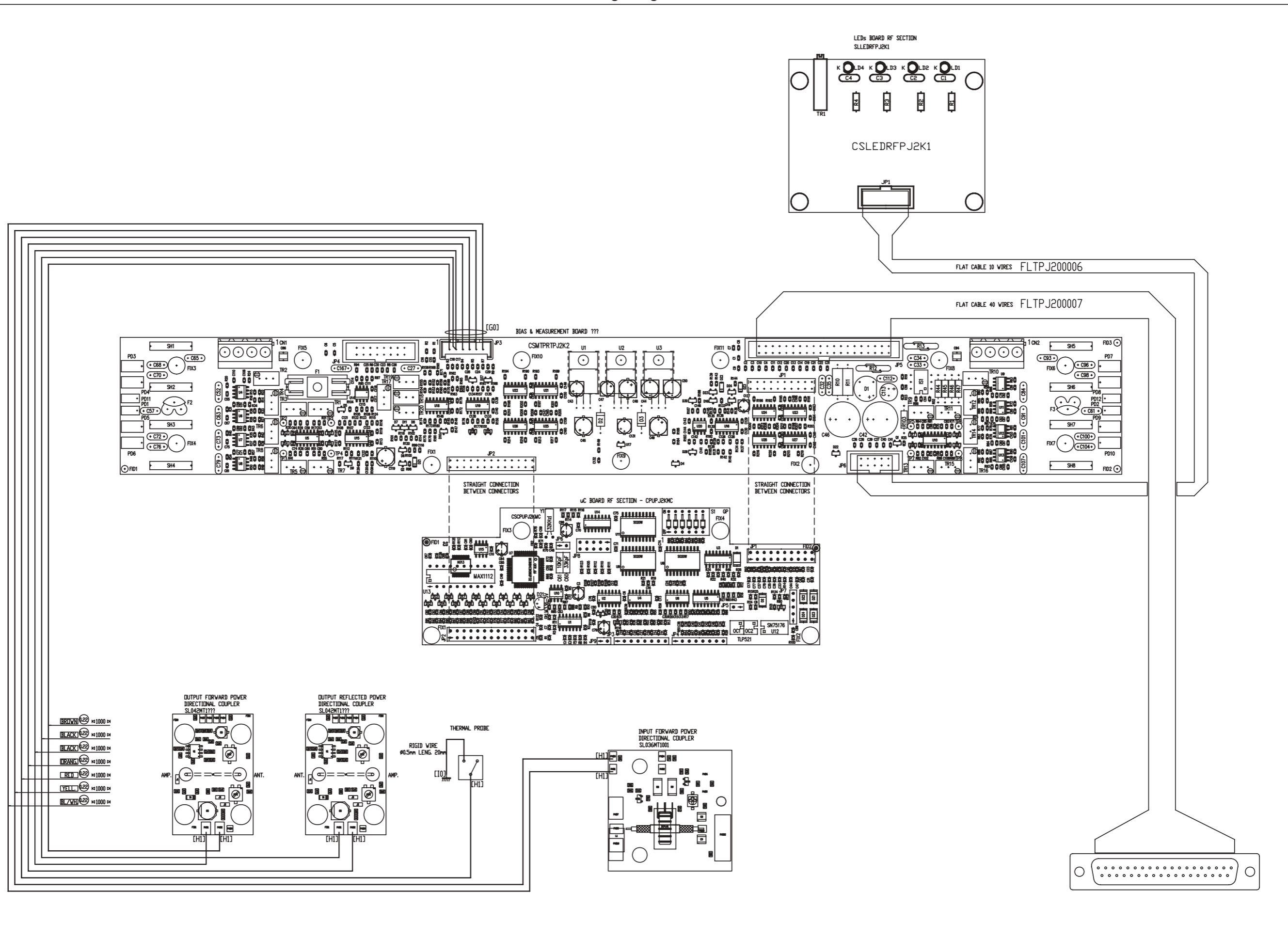


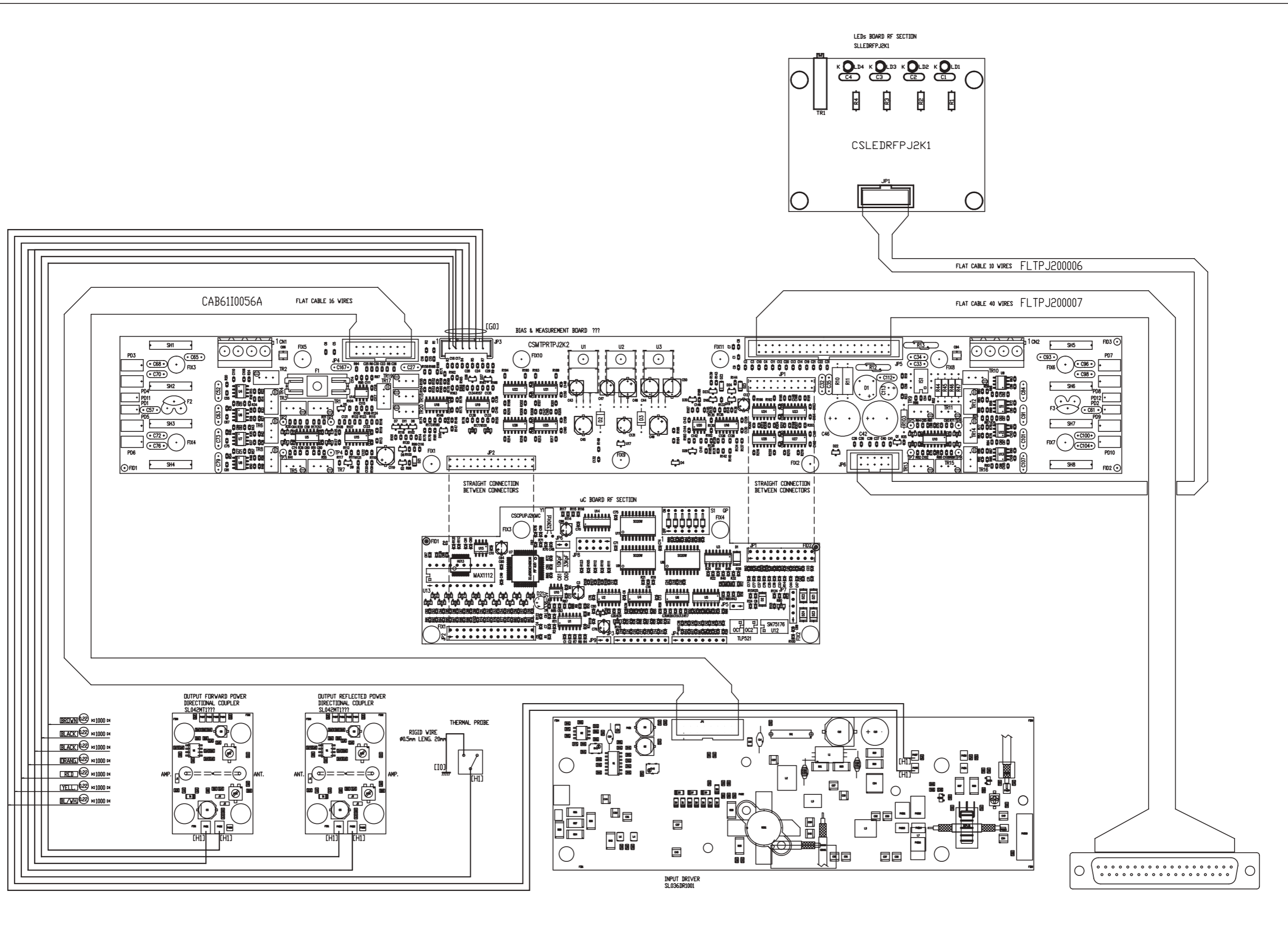


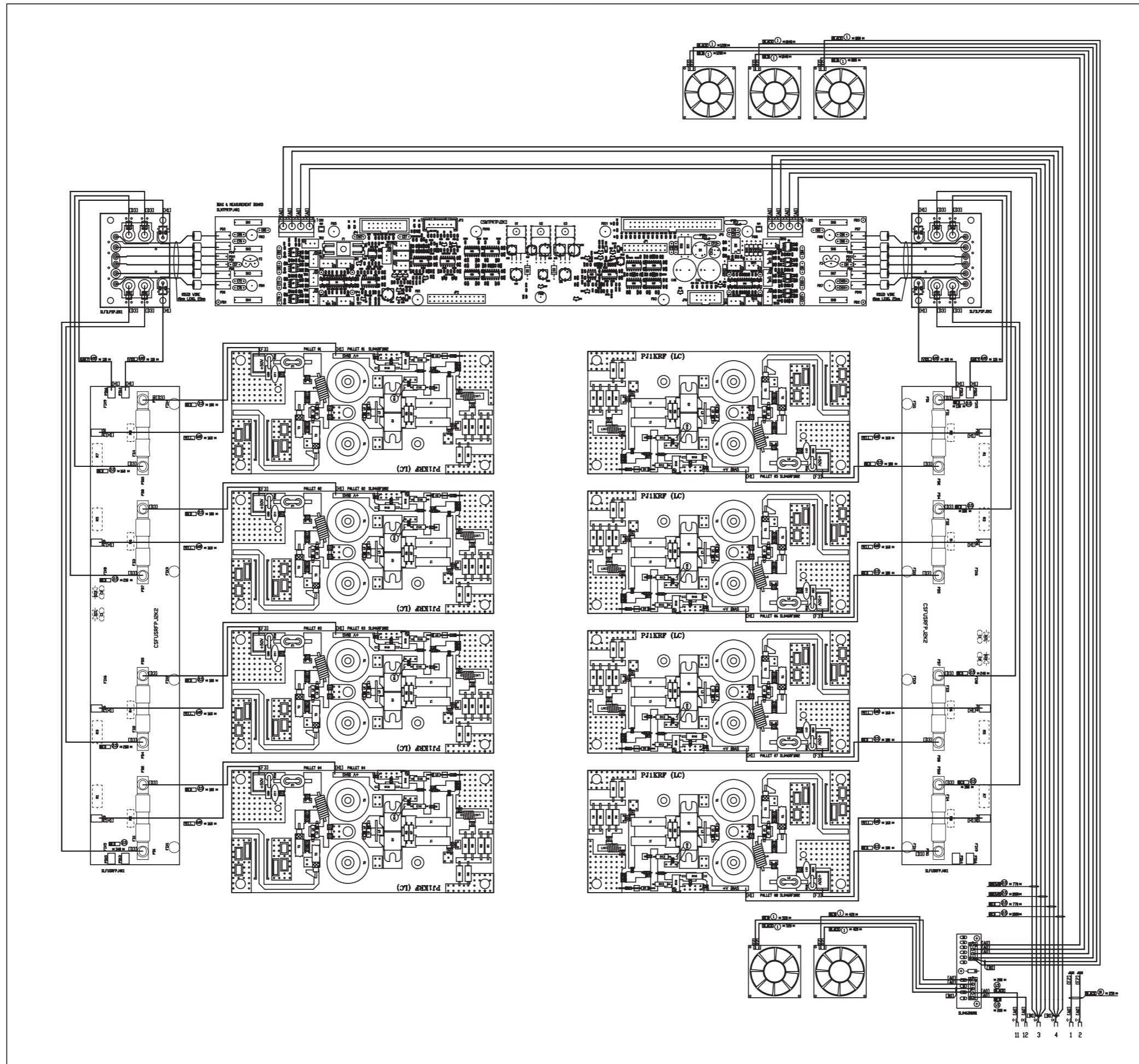


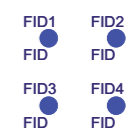
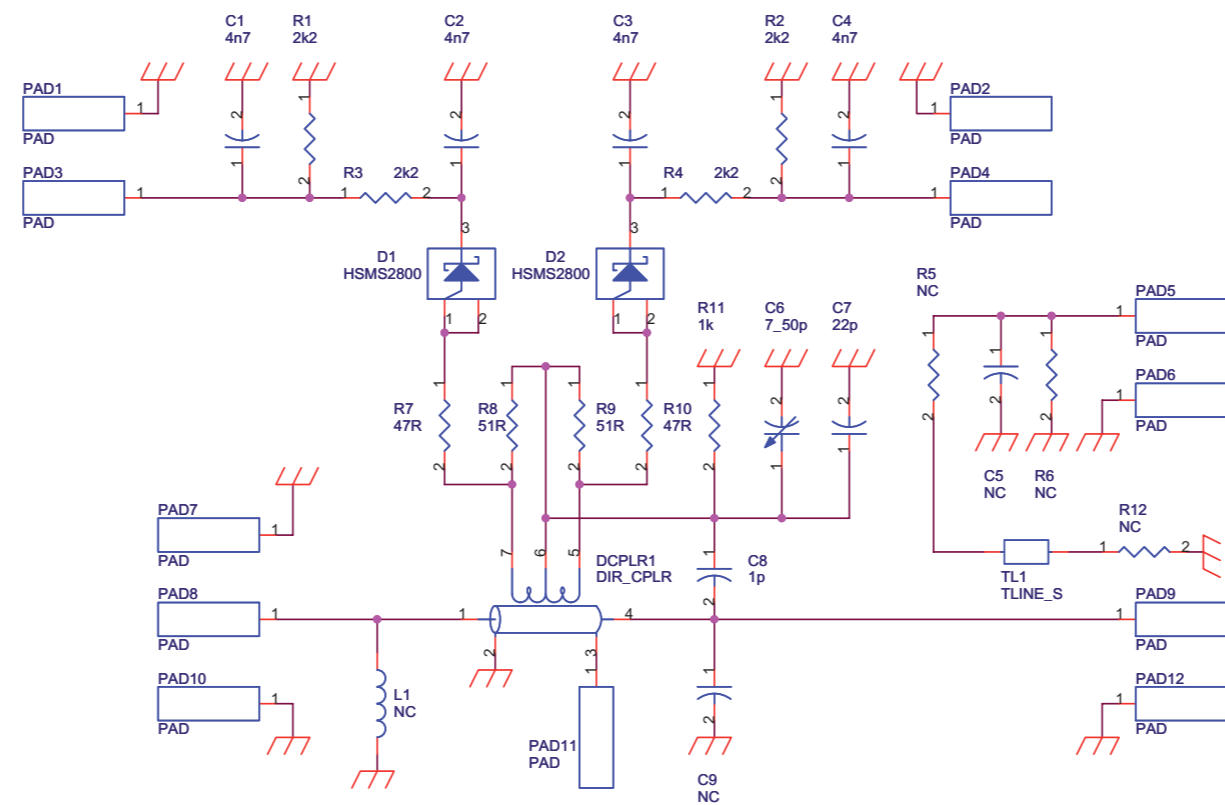




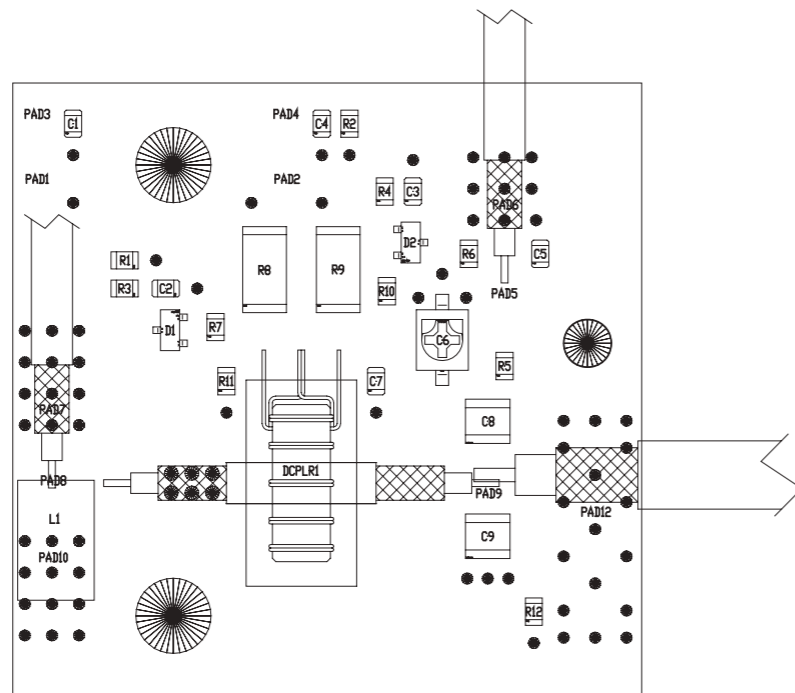








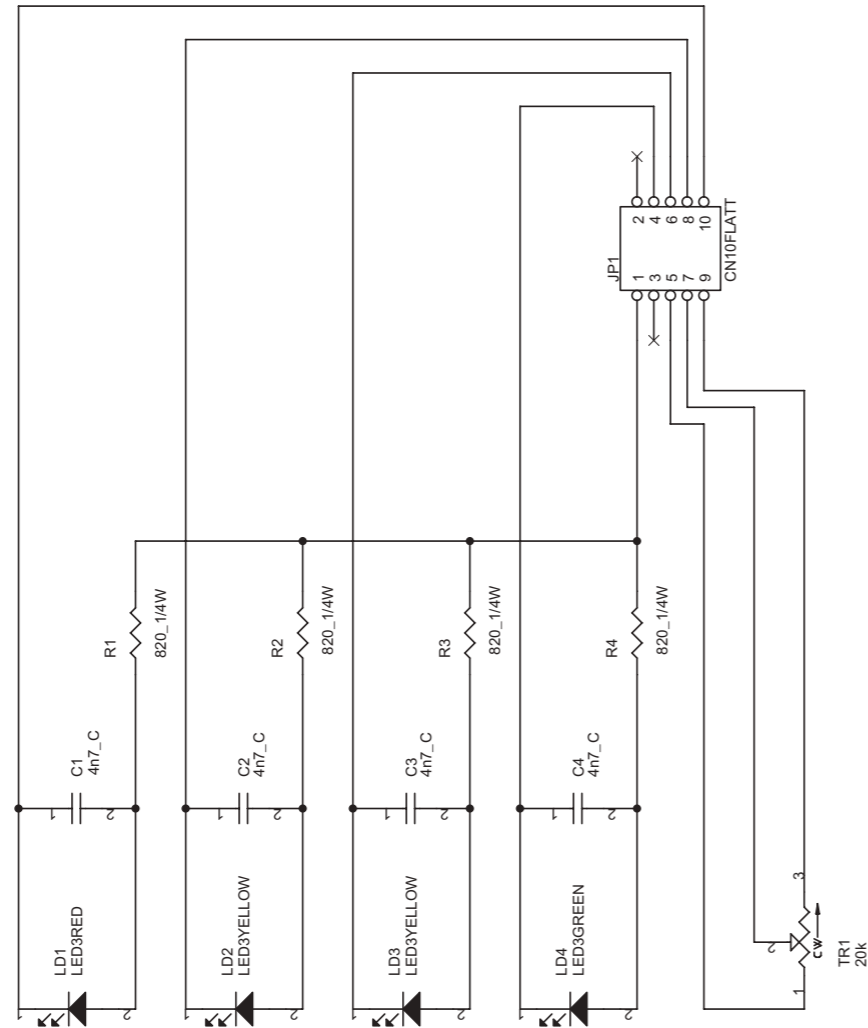
Nome Progetto: Driver PJ2000		Pagina: 1 di 1	Size: A3
Autore: Mauro Ucelli	Data: 13/09/05	Codice Progetto: 036	
Nome PC in Rete: \UTSRV\PROGETTI	Revisione: 1.0	Nome Parte: Input Power Measure	
File/Cartella: \	Autorizzazione:	Codice: SL036MT1001	



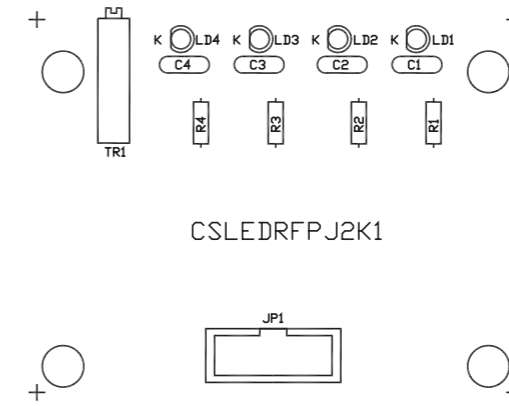
Input Power Measure
 SL036MT1001
 Revision: 1.0
 Driver PJ2000
 036
 Mauro Ucelli
 13/09/2005

Item	Quantity	Reference	Part	Description	Code1
1	1	CS1	CSMT0067R1		CSMT0067R1
2	4	C1,C2,C3,C4	4n7	Cond. SMD 0805	CCC085472KXC
3	1	C5	NC	Cond. SMD 0805 COG	
4	1	C6	7_50p	Comp. var. Murata TZB4A	CVF500D4.5SM
5	1	C7	22p	Cond. SMD 0805	CCC085220JCC
6	1	C8	1p	Cond. SMD 1212 HQ	CHQ010CA501
7	1	C9	NC	Cond. SMD 1212 HQ	
8	1	DCPLR1	DIR_CPLR	Accopp. direz.	KITFTR1010SP
9	2	D2,D1	HSMS2800	Diodo Shottky SOT23	DISHSMS2800
10	4	FID1,FID2,FID3,FID4	FID		
11	1	L1	NC	Induttanza cilindrica	
12	12	PAD1,PAD2,PAD3,PAD4,PAD5, PAD6,PAD7,PAD8,PAD9, PAD10,PAD11,PAD12	PAD		
13	4	R1,R2,R3,R4	2k2	Res. SMD 0805	RCH085F002K2
14	3	R5,R6,R12	NC	Res. SMD 0805	
15	2	R10,R7	47R	Res. SMD 0805	RCH085F0047H
16	2	R9,R8	51R	Res. SMD 2512 1%	RCH252J0051H
17	1	R11	1k	Res. SMD 0805	RCH085F0001K
18	1	TL1	TLINE_S	Linea strip CS	

	NOME PROGETTO: DRIVER LOW POWER	NOME PARTE: INPUT POWER MEASURE			
	AUTORE: UCELLI	DATA: 13/09/2005	REVISIONE: 1.0	SCALA: 1:1	SIZE: A4
ARCHIVIAZIONE ELETTRONICA: "CARTELLA PROGETTI" SU "UT_SRV"		CODICE PROGETTO: 036	CODICE DISEGNO: SL036MT1001		
MATERIALE: <>	TRATTAMENTO: <>	PROFILO: <>	STATO: PROGETTUALE		



Nome Progetto: HCS-10	Pagina: 1 di 1	Size: A4
Autore: Mauro Ucelli	Codice Progetto: 014	
Nome PC in Rete: MAURO2	Data: 28/02/02	
File/Cartella: \N:\Ricerca\508mm\Borsa\SLLEDRFPJ2K1	Revisione: 1.0	
	Autorizzazione:	
	Codice: SLLEDRFPJ2K1	



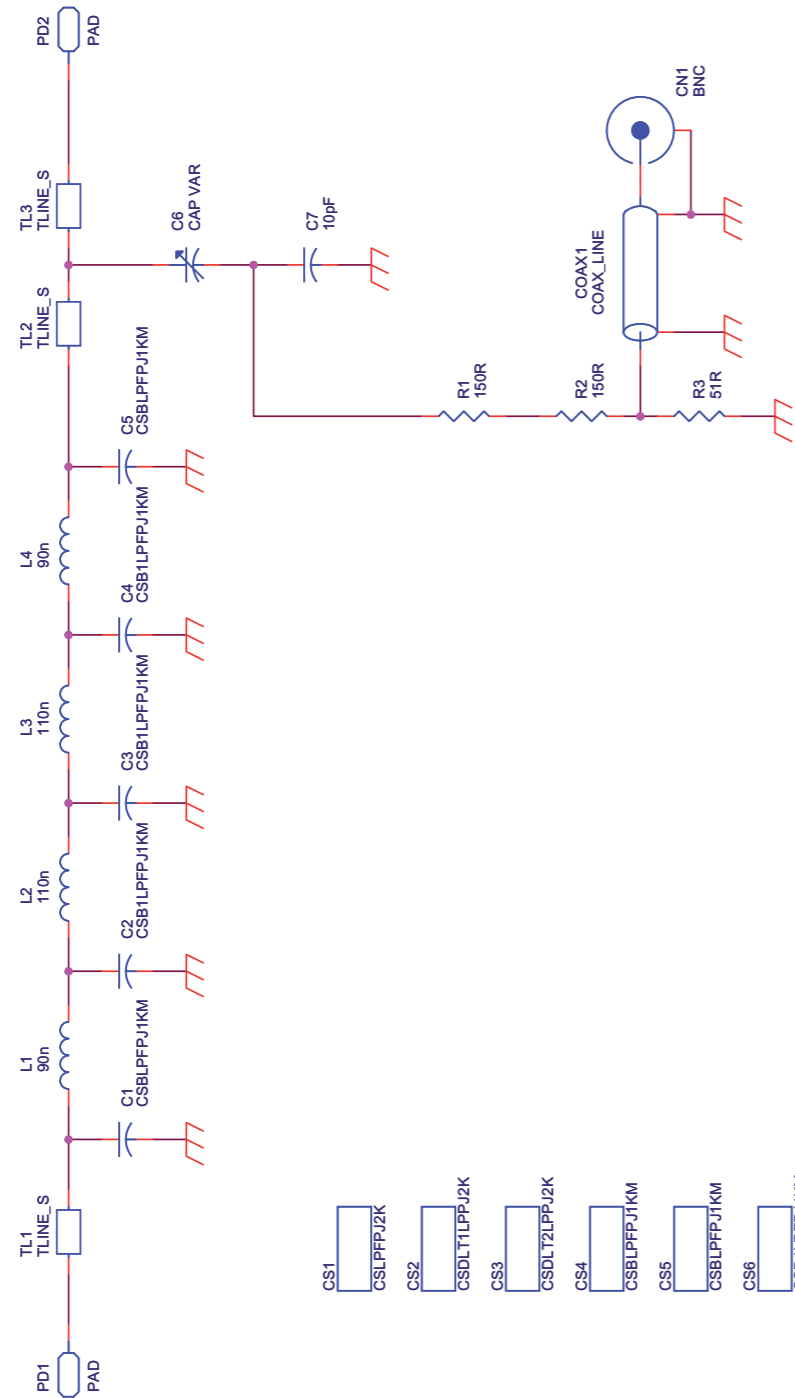
R.V.R. ELETTRONICA	NOME PROGETTO: HCS-10	NOME PARTE: LED RF BOARD
AUTORE: GP - Rev.: Berti J.	DATA: 11/02/2004	REVISIONE: 1.0
ARCHIVIAZIONE ELETTRONICA: "CARTELLA PROGETTI" SU "UT_SRV"	CODICE PROGETTO: 014	CODICE DISEGNO: SLLEDRFPJ2K1
MATERIALE: FR4-74 1.6mm Cu 35um	TRATTAMENTO: STANDARD COSTRUTTORE	PROFILO: Positivo
		STATO: ESECUTIVO

SLLEDRFPJ2K1

LEDs board RF section Revised: Thursday, February 26, 2004
 SLLEDRFPJ2K1 Revision: 1.0
 HC5-10

Item	Quantity	Reference	Part	Description
1	4	C1, C2, C3, C4	4n7_C	COND.CER. 4NF7 P5,08 10% 60V N150
2	1	JP1	CN10FLATT	Connettore 10p per Flatt diritto
3	1	LD1	LED3RED	Diodo LED 3mm Rosso
4	2	LD2, LD3	LED3YELLOW	Diodo LED 3mm Giallo
5	1	LD4	LED3GREEN	Diodo LED 3mm Verde
6	4	R1, R2, R3, R4	820_1/4W	Resistenza 820 Ohm 1/4W
7	1	TR1	20k	Trimmer multigiri 20k reg. di lato in conten. allungato (L623)

KLPFPJ2KLST

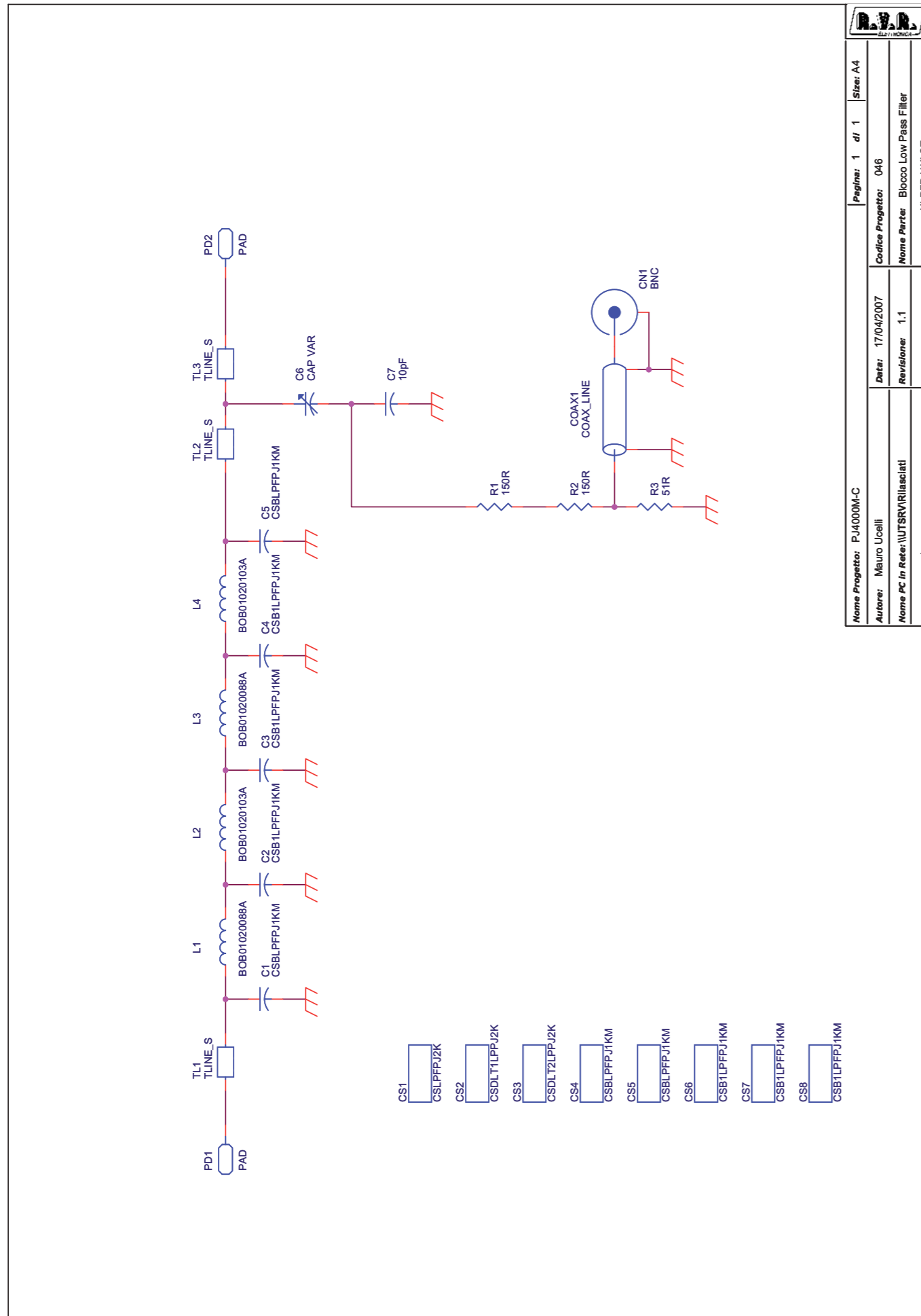


- CS1 CSLPFPJ2K
- CS2 CSDLT1LPPJ2K
- CS3 CSDLT2LPPJ2K
- CS4 CSBLPFPJ1KM
- CS5 CSBLPFPJ1KM
- CS6 CSBLPFPJ1KM
- CS7 CSBLPFPJ1KM
- CS8 CSBLPFPJ1KM

Nome Progettista:	PJ2000M-C	Pagina:	1 di 1	Size:	A4
Autore:	Mauro Ucelli	Data:	06/09/02	Codice Progetto:	PJ2000M-C
Nome PC in Rete:	\\UTSRV\riasciati	Revisione:	1.0	Nome Parte:	Blocco Low Pass Filter
File/Carrelle:	\	Autore:	Mauro Ucelli	Codice:	KLPFPJ2KLST

Low Pass Filter Revised: Thursday, January 16, 2003
 KLPFPJ2KLST Revision: 1.0
 PJ2000MC
 PJ2000MC
 Mauro Ucelli

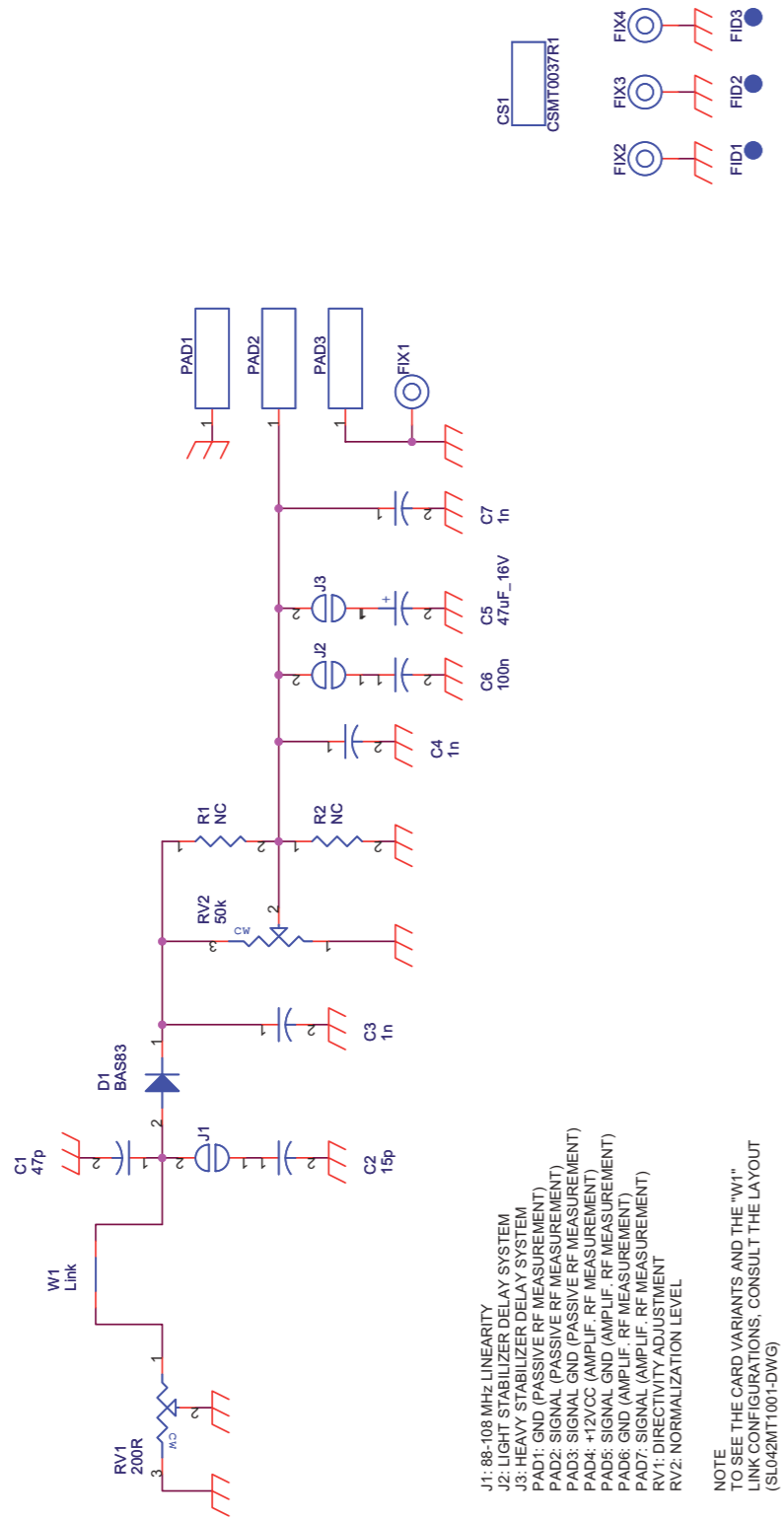
Item	Quantity	Reference	Part
1	1	CN1	BNC
2	1	COAX1	COAX_LINE
3	1	CS1	CSLPFPJ2K
4	1	CS2	CSDLT1LPPJ2K
5	1	CS3	CSDLT2LPPJ2K
6	4	C1, CS4, CS5, C5	CSBLPFPJ1KM
7	6	C2, C3, C4, CS6, CS7, CS8	CSBLPFPJ1KM
8	1	C6	CAP VAR
9	1	C7	10pF
10	2	L1, L4	90n
11	2	L2, L3	110n
12	2	PD1, PD2	PAD
13	2	R1, R2	150R
14	1	R3	51R
15	3	TL1, TL2, TL3	TLINE_S



Nome Progetto: PJ4000M-C	Pagina: 1	di 1	Size: A4
Autore: Mauro Ucelli	Codice Progetto: 046		
Nome PC In Rezer:\UTSRV\Irlasciati	Data: 17/04/2007		
File/Caratteristiche: \	Revisione: 1.1		
	Nome Parte: Blocco Low Pass Filter		
	Codice: KLPFPJ4KLST		

Blocco Low Pass Filter
KLPFPJ2KLST Revision: 1.0
17/04/2007 Rev.1.1
PJ4000MC
Mauro Ucelli

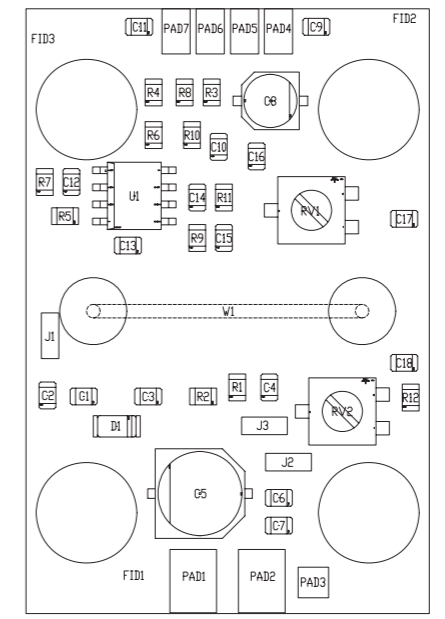
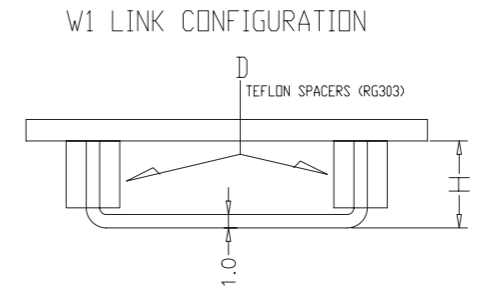
Item	Quantity	Reference	Part
1	1	CN1	BNC
2	1	COAX1	COAX_LINE
3	1	CS1	CSLFPFPJ2K
4	1	CS2	CSDLT1LPPJ2K
5	1	CS3	CSDLT2LPPJ2K
6	4	C1, CS4, CS5, C5	CSBLPFPJ1KM
7	6	C2, C3, C4, CS6, CS7, CS8	CSB1LPPFPJ1KM
8	1	C6	CAP VAR
9	1	C7	10pF
10	2	L1, L3	BOB01020088A
11	2	L2, L4	BOB01020103A
12	2	PD1, PD2	PAD
13	2	R1, R2	150R
14	1	R3	51R
15	3	TL1, TL2, TL3	TLINE_S



J1: 88-108 MHz LINEARITY
 J2: LIGHT STABILIZER DELAY SYSTEM
 J3: HEAVY STABILIZER DELAY SYSTEM
 PAD1: GND (PASSIVE RF MEASUREMENT)
 PAD2: SIGNAL (PASSIVE RF MEASUREMENT)
 PAD3: SIGNAL GND (PASSIVE RF MEASUREMENT)
 PAD4: +12VCC (AMPLIF. RF MEASUREMENT)
 PAD5: SIGNAL GND (AMPLIF. RF MEASUREMENT)
 PAD6: GND (AMPLIF. RF MEASUREMENT)
 PAD7: SIGNAL (AMPLIF. RF MEASUREMENT)
 RV1: DIRECTIVITY ADJUSTMENT
 RV2: NORMALIZATION LEVEL

NOTE
 TO SEE THE CARD VARIANTS AND THE "W1"
 LINK CONFIGURATIONS, CONSULT THE LAYOUT
 (SL042MT1001-DWG)

Project Name: Generic RF PWR Measurement		Page: 1 of 1	Size: A4
Designer: Mauro Ucelli	Date: Thursday, April 11, 2008	Project Code: 042	
File Location: \\UTSRV\RILASCIATI	Revision: 1.1	Description: RF Power measure board	
Folder/File: /	Approval:	Part No.: SL042MT1001	



J1: 88-108 MHz LINEARITY
 J2: LIGHT STABILIZER DELAY SYSTEM
 J3: HEAVY STABILIZER DELAY SYSTEM
 PAD1: GND (PASSIVE RF MEASUREMENT)
 PAD2: SIGNAL (PASSIVE RF MEASUREMENT)
 PAD3: SIGNAL GND (PASSIVE RF MEASUREMENT)
 PAD4: +12VCC (AMPLIF. RF MEASUREMENT)
 PAD5: SIGNAL GND (AMPLIF. RF MEASUREMENT)
 PAD6: GND (AMPLIF. RF MEASUREMENT)
 PAD7: SIGNAL (AMPLIF. RF MEASUREMENT)
 RV1: DIRECTIVITY ADJUSTMENT
 RV2: NORMALIZATION LEVEL

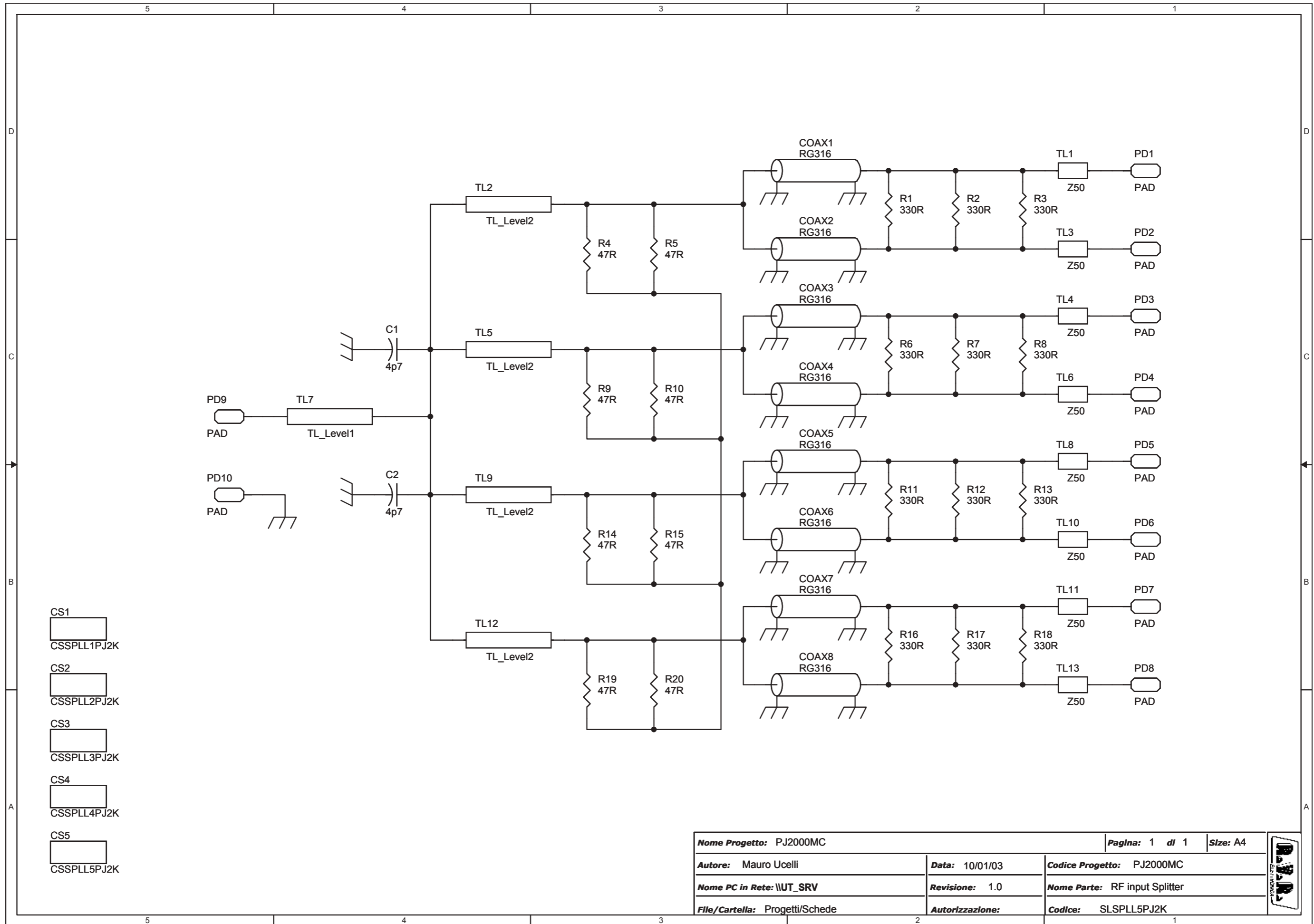
CONFIGURATIONS DETAIL

CARD CODE	H link W1 (mm)	D spacers W1	Jumper J1	Jumper J2	Jumper J3
SL042MT1001					
SL042MT1101	5.3		X		
SL042MT1201	4		X		
SL042MT1301	7.6		X		
SL042MT1401	8.5	X	X		X
SL042MT1501	4.5		X		

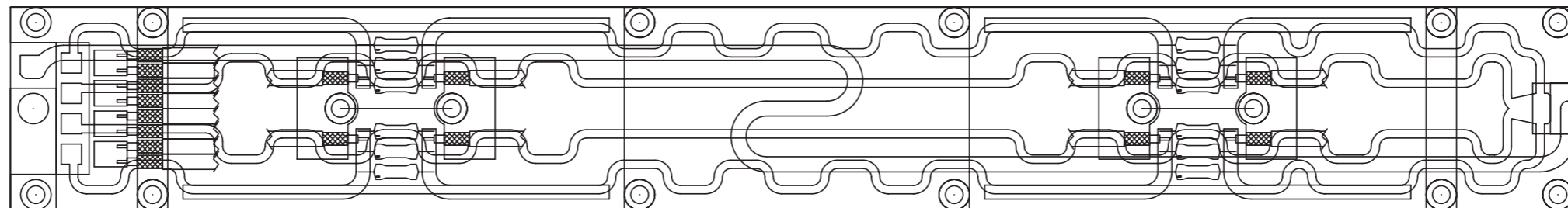
PROJECT NAME: POWER METER		PART No.: POWER METER	
DESIGNER: M. UCELLI	DATE: 12/07/2006	REVISION: 1.0	SCALE: 2:1
FILE LOCATION: \\Utsrv\Rilasciati\2_Schede\SL042MT1001	PROJECT CODE: 042	CODE: SL042MT1001	SIZE: A4
MATERIAL: <>	TREATMENT: <>	PROFILE: <>	PAGE: 1 OF 1
			STATE: EXECUTIVE


RF Power measure board
 SL042MT1001
 Revision: 1.1
 Generic RF PWR Measurement
 042
 Mauro Ucelli
 17/04/2008

Item	Quantity	Reference	Part	Description	Code1
1	1	CS1	CSMT0037R1	Printed Circuit Board	CSMT0037R1
2	1	C1	47p	SMD 0805 COG Capacitor	CCC085470JCC
3	1	C2	15p	SMD 0805 COG Capacitor	CCC085150JCC
4	3	C3,C4,C7	1n	SMD 0805 Capacitor	CCC085102JNC
5	1	C5	47uF_16V	Elect. SMD d. 6.3mm Cap.	CES476C160
6	1	C6	100n	SMD 0805 Capacitor	CCC085104KXC
7	1	D1	BAS83	MINIMELF SMD Diode	DHCBAS83
8	3	FID1,FID2,FID3	FID		
9	4	FIX1,FIX2,FIX3,FIX4	FIX35	Fixing Hole 3.5mm	
10	3	J1,J2,J3	JSMD	SMD Pad to solder	
11	3	PAD1,PAD2,PAD3	PAD		
12	1	RV1	200R	Trimmer SMD	RVT4X4H0200V
13	1	RV2	50k	Trimmer SMD	RVT4X4K0050V
14	2	R1,R2	NC	SMD 0805 Res.	
15	1	W1	Link	Wire to solder	See the Layout



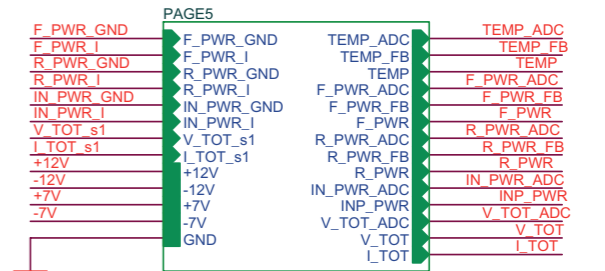
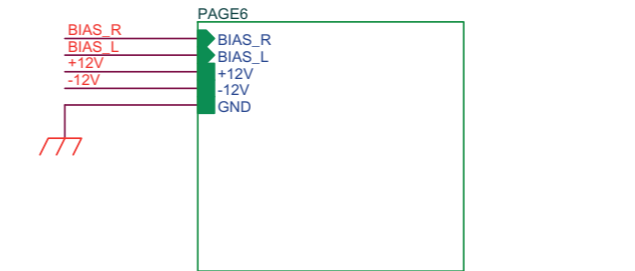
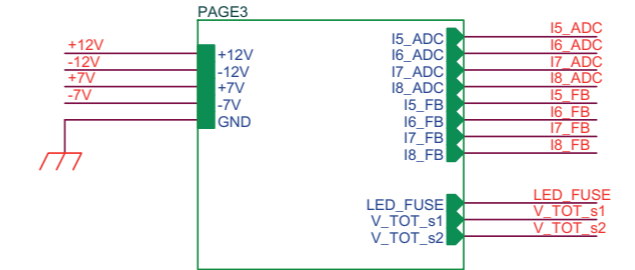
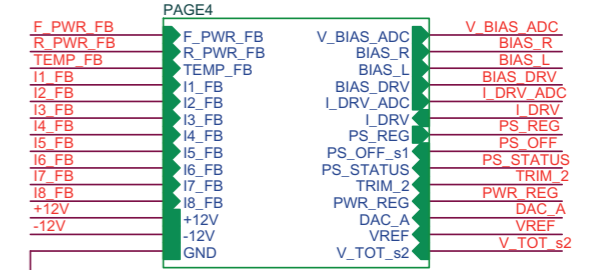
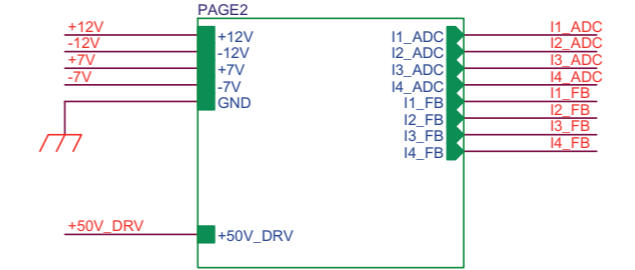
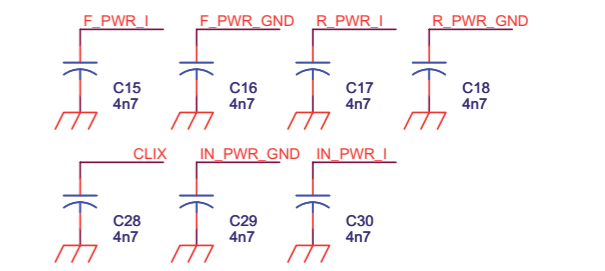
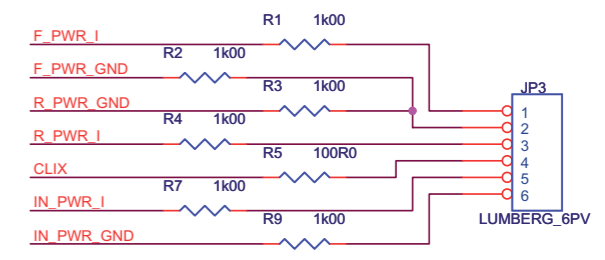
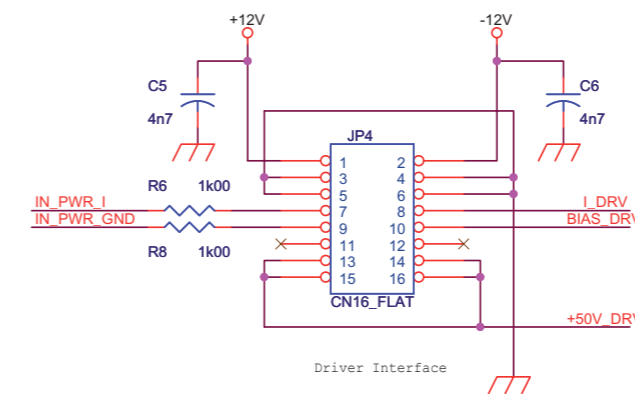
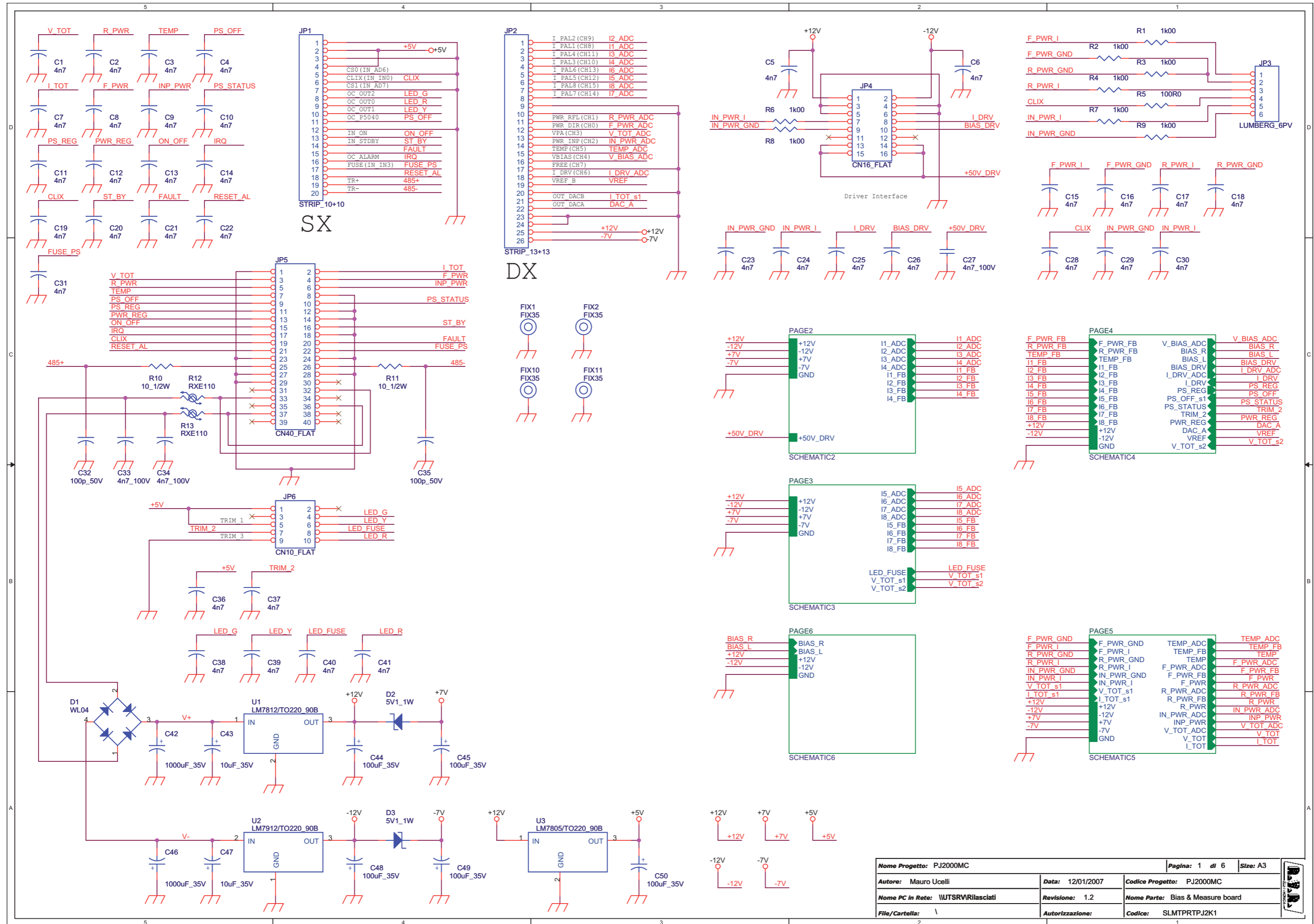
Nome Progetto: PJ2000MC		Pagina: 1 di 1	Size: A4
Autore: Mauro Ucelli	Data: 10/01/03	Codice Progetto: PJ2000MC	
Nome PC in Rete: \\UT_SRV	Revisione: 1.0	Nome Parte: RF input Splitter	
File/Cartella: Progetti/Schede	Autorizzazione:	Codice: SLSPLL5PJ2K	



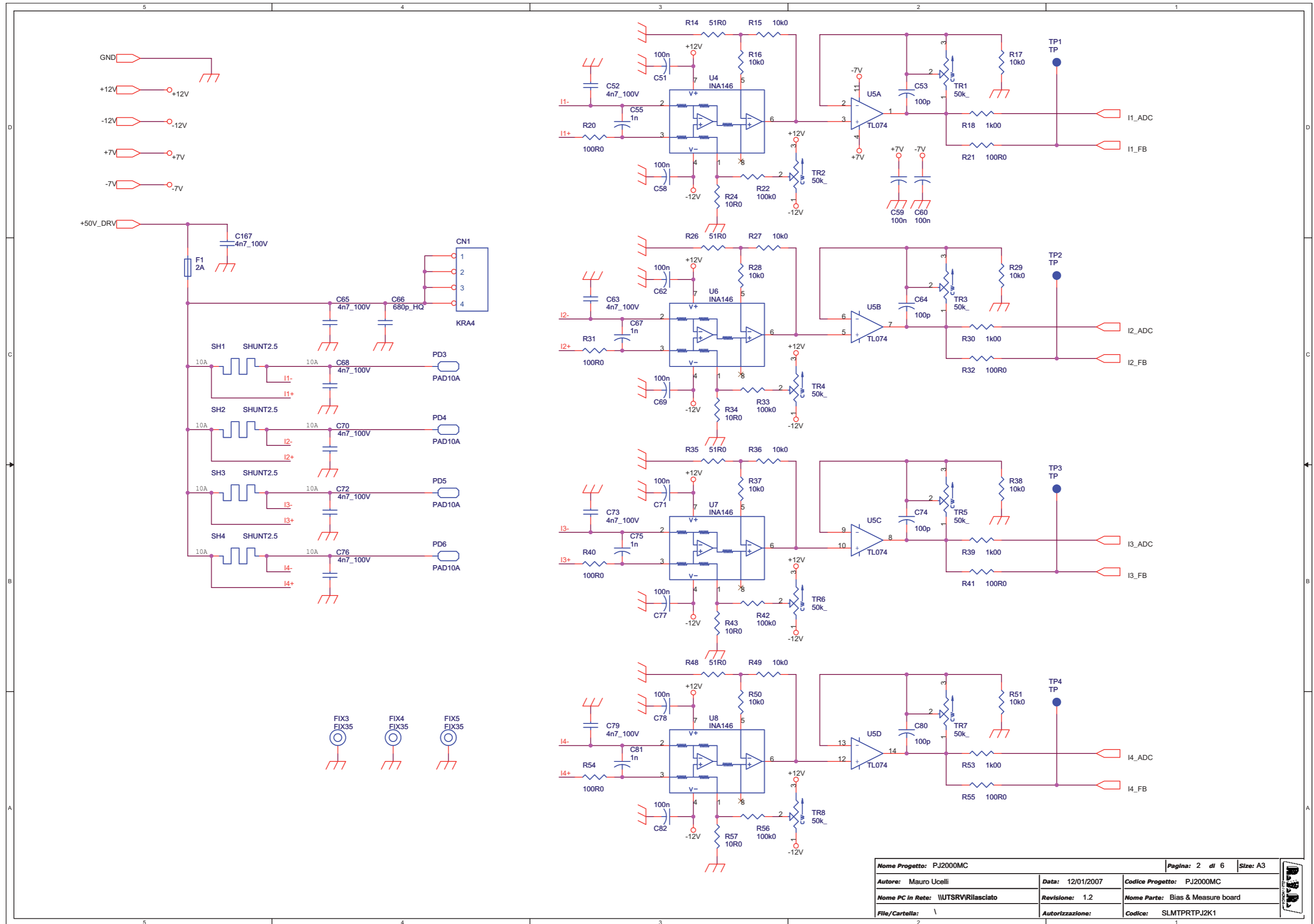
	NOME PROGETTO: PJ2000MC	NOME PARTE: RF input Splitter				
	AUTORE: Mauro Ucelli	DATA: 10/01/03	REVISIONE: 1.0	SCALA: 1:1	SIZE: A3	PAGINA: 1 DI 1
ARCHIVIAZIONE ELETTRONICA: "CARTELLA PROGETTI" SU "UTSRV"		CODICE PROGETTO: /	CODICE DISEGNO: SLSPLL5PJ2K			
MATERIALE: /	TRATTAMENTO: /	PROFILO: /	STATO: /			

RF input Splitter
SLSPLL5PJ2K
Revision: 1.0
PJ2000MC
Mauro Ucelli
10/01/2003

Item	Quantity	Reference	Part	Description
1	8	COAX1,COAX2,COAX3,COAX4, COAX5,COAX6,COAX7,COAX8	RG316	Cavo coax
2	1	CS1	CSSPLL1PJ2K	Circuito stampato
3	1	CS2	CSSPLL2PJ2K	Circuito stampato
4	1	CS3	CSSPLL3PJ2K	Circuito stampato
5	1	CS4	CSSPLL4PJ2K	Circuito stampato
6	1	CS5	CSSPLL5PJ2K	Circuito stampato
7	2	C2,C1	4p7	Cond. ceramico p 5mm
8	10	PD1,PD2,PD3,PD4,PD5,PD6, PD7,PD8,PD9,PD10	PAD	Non è un componente
9	12	R1,R2,R3,R6,R7,R8,R11, R12,R13,R16,R17,R18	330R	Res. 2W
10	8	R4,R5,R9,R10,R14,R15,R19, R20	47R	Res. 2W
11	8	TL1,TL3,TL4,TL6,TL8,TL10, TL11,TL13	Z50	Linea strip CS
12	4	TL2,TL5,TL9,TL12	TL_Level2	Linea strip CS
13	1	TL7	TL_Level1	Linea strip CS

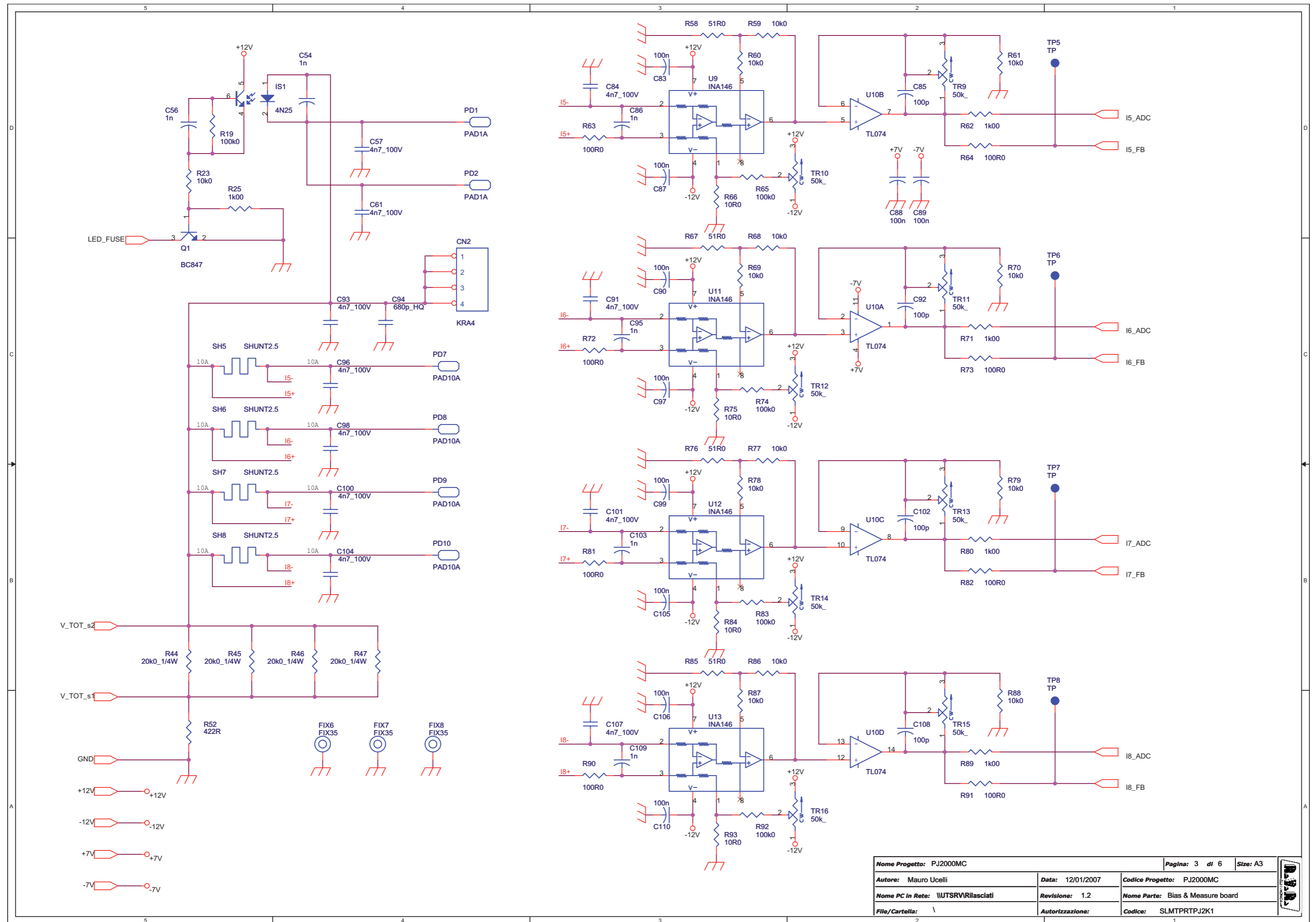


Nome Progetto: PJ2000MC	Pagina: 1 di 6	Size: A3
Autore: Mauro Ucelli	Data: 12/01/2007	Codice Progetto: PJ2000MC
Nome PC in Rete: \UTSRV\Rilasciati	Revisione: 1.2	Nome Parte: Bias & Measure board
File/Cartella: \	Autorizzazione:	Codice: SLMTPRTPJ2K1

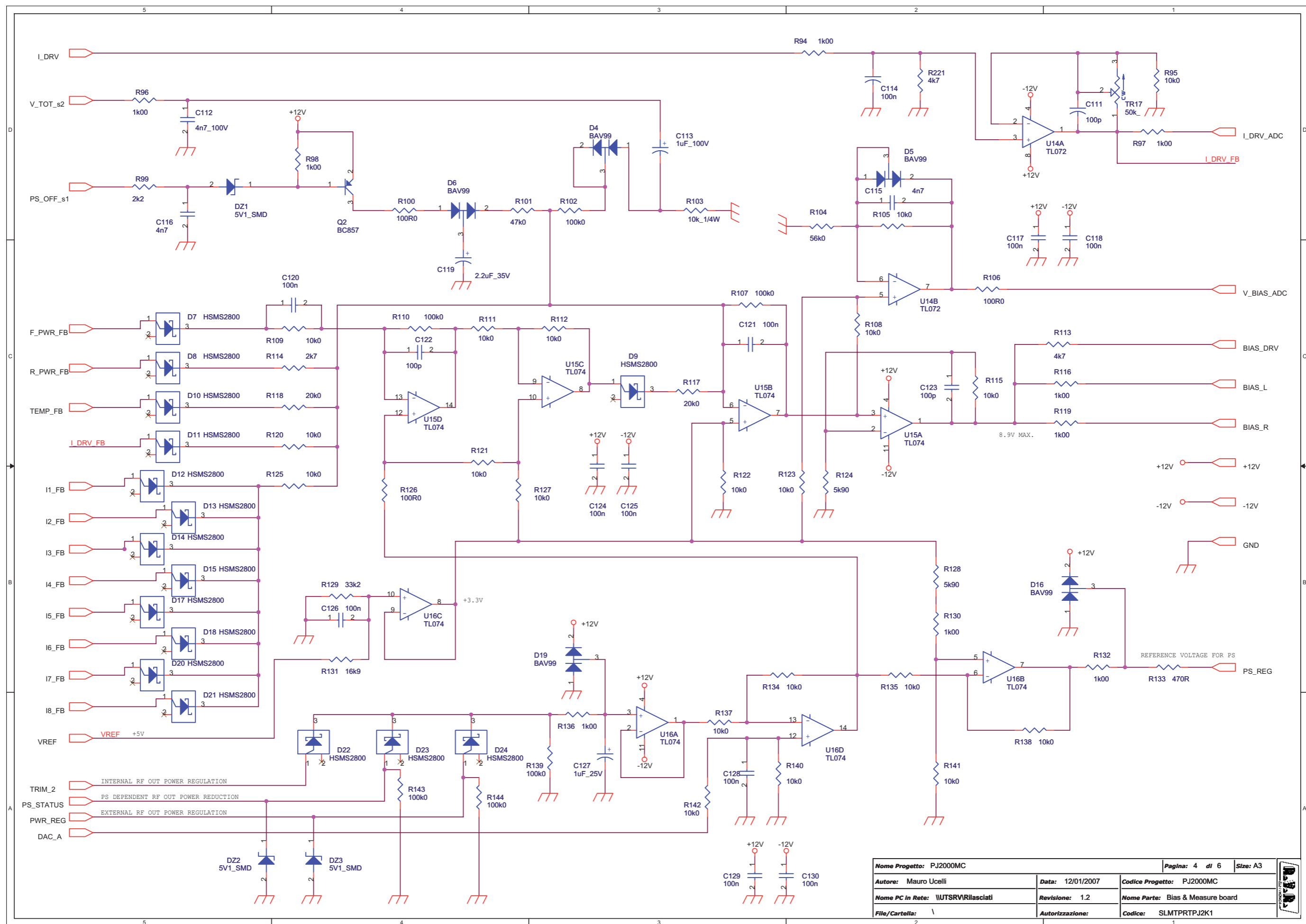


Nome Progetto: PJ2000MC		Pagina: 2 di 6		Size: A3
Autore: Mauro Ucelli	Data: 12/01/2007	Codice Progetto: PJ2000MC		
Nome PC in Rete: \UTSRV\Rilasciato		Revisione: 1.2	Nome Parte: Bias & Measure board	
File/Cartella: \	Autorizzazione:	Codice: SLMTPRTPJ2K1		

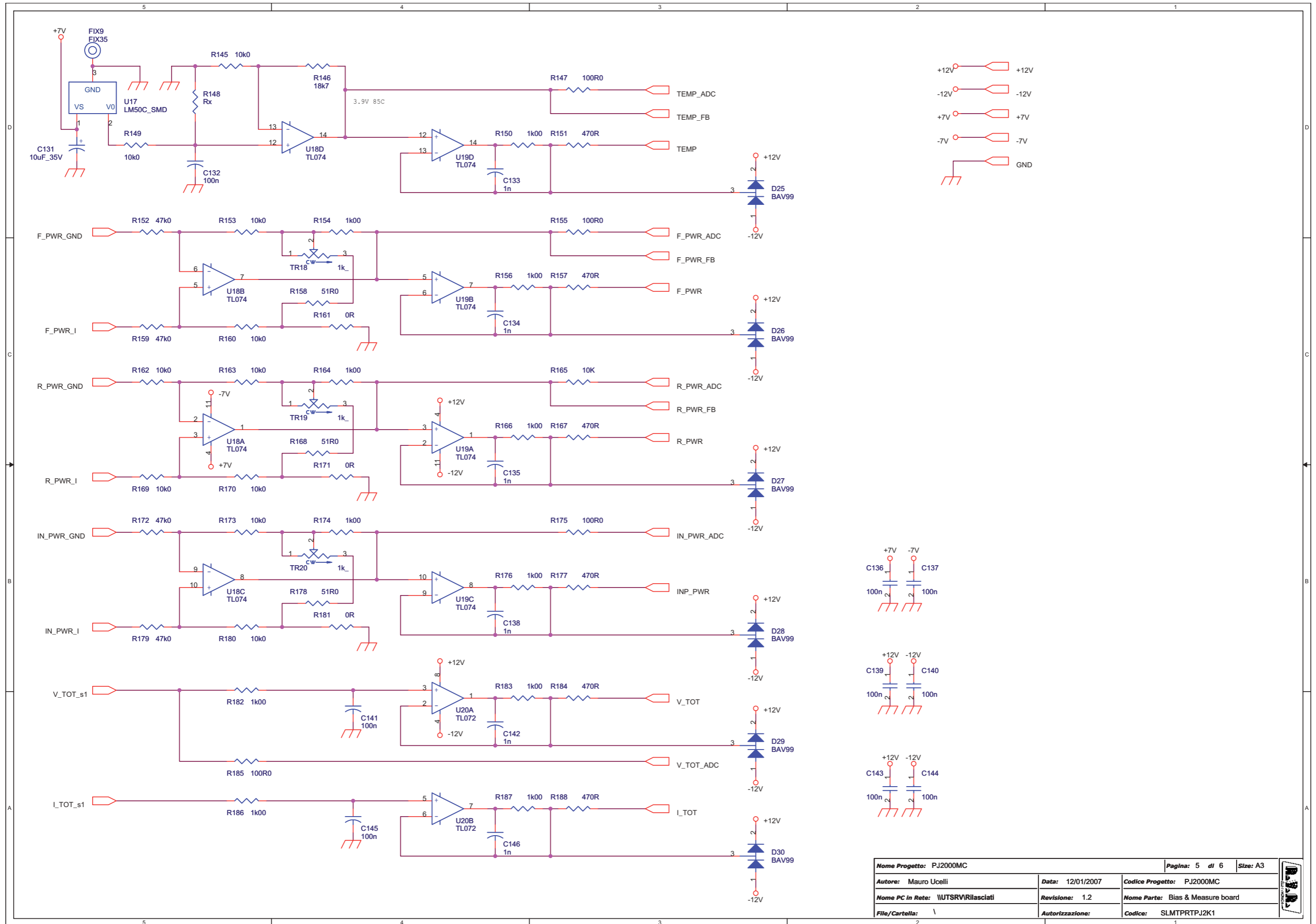
SLMTPRTPJ2K1



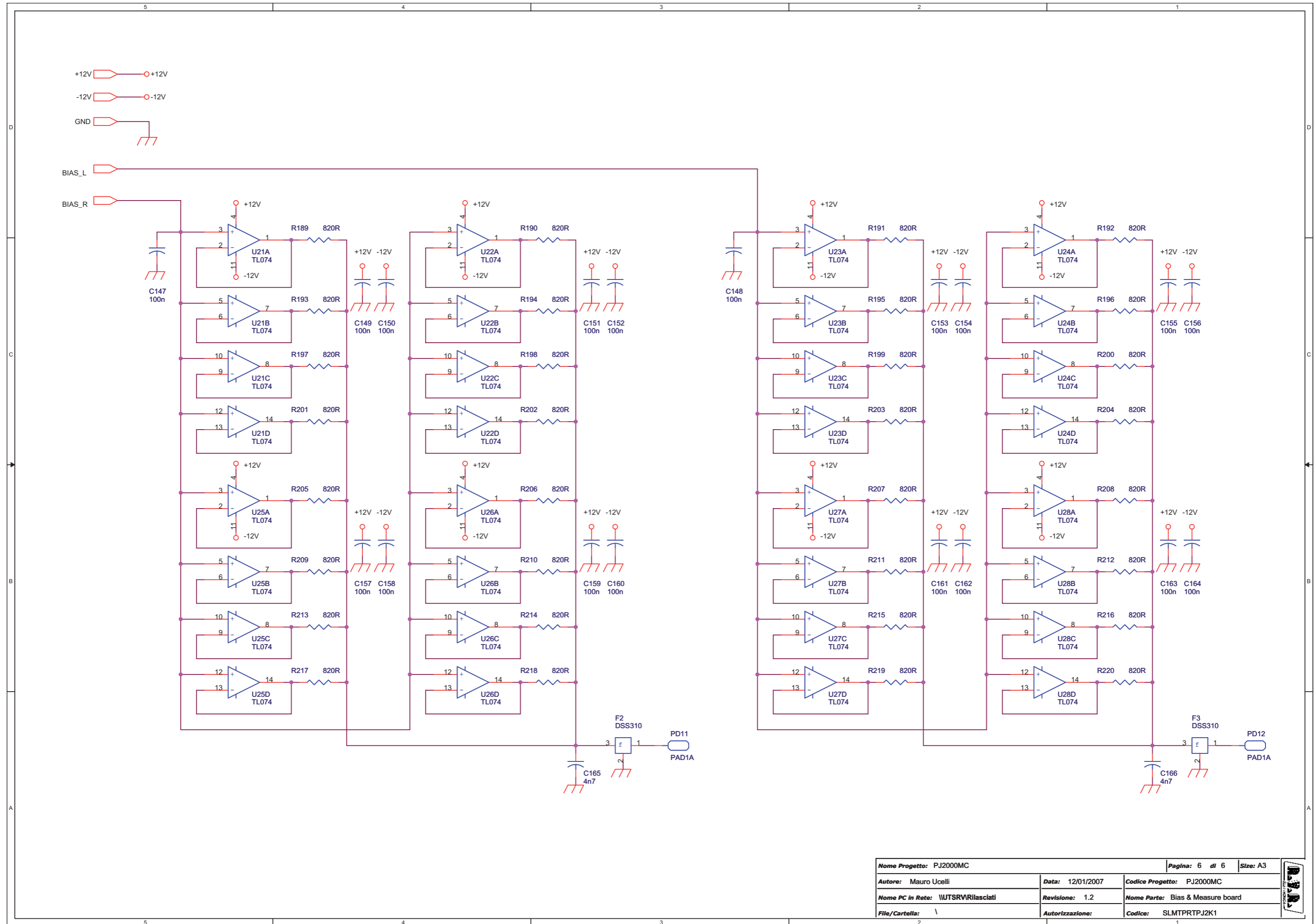
Nome Progetto: PJ2000MC		Pagina: 3 di 6		Size: A3
Autore: Mauro Ucelli	Data: 12/01/2007	Codice Progetto: PJ2000MC		
Nome PC in Rete: \UTSRV\Rilasciati	Revisione: 1.2	Nome Parte: Bias & Measure board		
File/Cartella: \	Autorizzazione:	Codice: SLMTPRTPJ2K1		



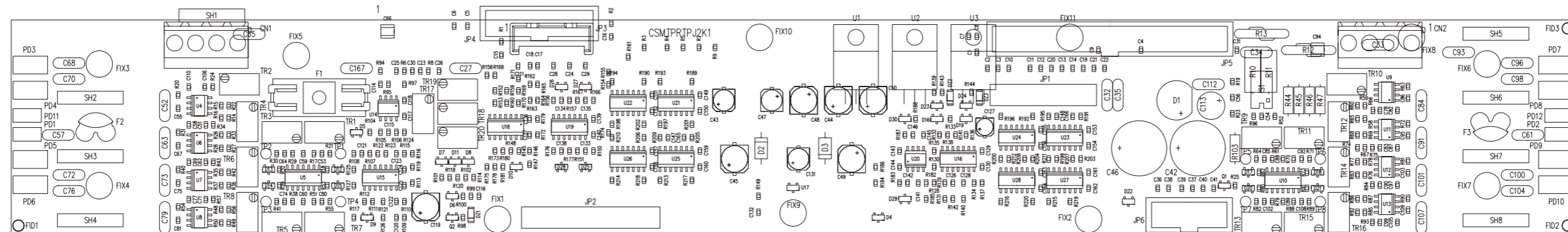
SLMTPRTPJ2K1



Nome Progetto: PJ2000MC		Pagina: 5 di 6	Size: A3
Autore: Mauro Ucelli	Data: 12/01/2007	Codice Progetto: PJ2000MC	
Nome PC in Rete: \UTSRV\Rilasciati	Revisione: 1.2	Nome Parte: Bias & Measure board	
File/Cartella: \	Autorizzazione:	Codice: SLMTPRTPJ2K1	



Nome Progetto: PJ2000MC		Pagina: 6 di 6		Size: A3
Autore: Mauro Ucelli	Data: 12/01/2007	Codice Progetto: PJ2000MC		
Nome PC in Rete: \WTSRVR\rilasciati		Revisione: 1.2	Nome Parte: Bias & Measure board	
File/Cartella: \	Autorizzazione:	Codice: SLMTPRTPJ2K1		



	NOME PROGETTO: PJ2000M-C	NOME PARTE: Bias & Measure board			
	AUTORE: GP studio	DATA: 17/05/2002	REVISIONE: 1.0	SCALA: 1:1	SIZE: A3
ARCHIVIAZIONE ELETTRONICA: "CARTELLA PROGETTI" SU "UTSRV"		CODICE PROGETTO: /		CODICE DISEGNO: SLMTPRTPJ2K1	
MATERIALE: FR4 - 1.6mm	TRATTAMENTO: RAME	PROFILO: 70u	STATO: /		

SLMTPRTPJ2K1

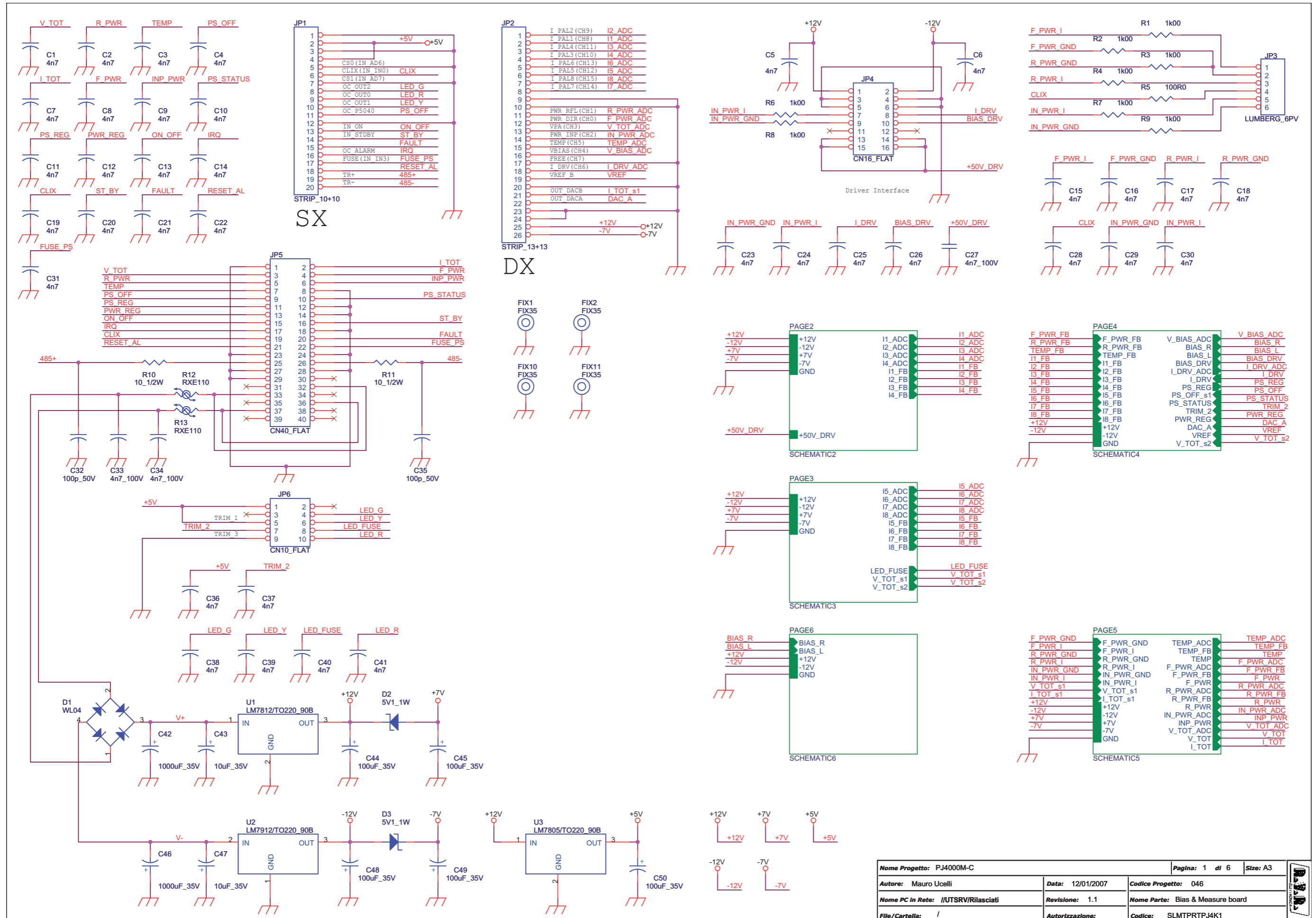
Bias & Measure board
SLMTPRTPJ2K1
Revision: 1.2
PJ2000MC
Mauro Ucelli
12/01/2007

Item	Quantity	Reference	Part	Description
1	2	CN2,CN1	KRA4	(KRA4):Mors. KRA 4poli passo 5.00mm
2	40	C1,C2,C3,C4,C5,C6,C7,C8, C9,C10,C11,C12,C13,C14, C15,C16,C17,C18,C19,C20, C21,C22,C23,C24,C25,C26, C28,C29,C30,C31,C36,C37, C38,C39,C40,C41,C115, C116,C165,C166	4n7	(0805/0603):Componente SMD size 0805 o 0603
3	25	C27,C33,C34,C52,C57,C61, C63,C65,C68,C70,C72,C73, C76,C79,C84,C91,C93,C96, C98,C100,C101,C104,C107, C112,C167	4n7 100V	(CCP5):Condesatore Ceramico passo 5.08
4	2	C32,C35	100p 50V	(CCP5):Condesatore Ceramico passo 5.08
5	2	C46,C42	1000uF 35V	(CEV_D13.2P5.08):Cond. Elet. Vert. diam. 13.2mm passo 5.08
6	3	C43,C47,C131	10uF 35V	(CESSX5.5):Cond. Elet. All. SMD diametro 5 altezza 5.5
7	5	C44,C45,C48,C49,C50	100uF 35V	(CES6.3X8):Cond. Elet. All. SMD diametro 6.5 altezza 8
8	1	C119	2,2uF 35V	(CES6.3X8):Cond. Elet. All. SMD diametro 6.5 altezza 8
9	58	C51,C58,C59,C60,C62,C69, C71,C77,C78,C82,C83,C87, C88,C89,C90,C97,C99,C105, C106,C110,C114,C117,C118, C120,C121,C124,C125,C126, C128,C129,C130,C132,C136, C137,C139,C140,C141,C143, C144,C145,C147,C148,C149, C150,C151,C152,C153,C154, C155,C156,C157,C158,C159, C160,C161,C162,C163,C164	100n	(0805/0603):Componente SMD size 0805 o 0603
10	11	C53,C64,C74,C80,C85,C92, C102,C108,C111,C122,C123	100p	(0805/0603):Componente SMD size 0805 o 0603
11	16	C54,C55,C56,C67,C75,C81, C86,C95,C103,C109,C133, C134,C135,C138,C142,C146	1n	(0805/0603):Componente SMD size 0805 o 0603
12	2	C94,C66	680p_HQ	(CSMD_HQ):Chip HQ 680p
13	1	C113	1uF 100V	(CEV_D6.6P2.54):Cond. Elet. Vert. diam. 6.5mm passo 2.54
14	1	C127	1uF 25V	(CES4X5.5):Cond. Elet. All. SMD diametro 4 altezza 5.5
15	3	DZ1,DZ2,DZ3	5V1_SMD	(MINIMELF):Zener SMD 5V1
16	1	D1	WL04	(WL04):Ponte diodi rettificatore circolare
17	2	D3,D2	5V1_1W	(ZENER_1W):Diodo Zener 5V1 1W (come diodi rettificatori da 1A)
18	11	D4,D5,D6,D16,D19,D25,D26, D27,D28,D29,D30	BAV99	(SOT-23):Diodo SMD SOT-23
19	16	D7,D8,D9,D10,D11,D12,D13, D14,D15,D17,D18,D20,D21, D22,D23,D24	HSMS2800	(SOT-23):Diodo SMD SOT-23
20	11	FIX1,FIX2,FIX3,FIX4,FIX5, FIX6,FIX7,FIX8,FIX9, FIX10,FIX11	FIX35	(FIX35):Non è un componente
21	1	F1	2A	(FHOLDER_C):Portafusibile a Clip per Fuse 5x20 2A da c.s.
22	2	F3,F2	DSS310	(DSS310):Filtro MURATA mod. DSS310
23	1	IS1	4N25	(DIP6_L):Opto su zoccolo 8pins
24	1	JP1	STRIP 10+10	(STRIP10X2):Strip 10+10 poli passo 2.54 Femmina
25	1	JP2	STRIP 13+13	(STRIP13X2):Strip 13+13 poli passo 2.54 Femmina
26	1	JP3	LUMBERG_6PV	(LUMBERG_6PV):Connettore tipo Lumberg 6 poli verticale
27	1	JP4	CN16_FLAT	(FLAT16V):Conn. per Flat Cable 16pp Vert
28	1	JP5	CN40_FLAT	(FLAT40V):Conn. per Flat Cable 40pp Vert
29	1	JP6	CN10_FLAT	(FLAT10V):Conn. per Flat Cable 10pp Vert
30	4	PD1,PD2,PD11,PD12	PAD1A	(PAD1A):Non è un componente
31	8	PD3,PD4,PD5,PD6,PD7,PD8, PD9,PD10	PAD10A	(PAD10A):Non è un componente
32	1	Q1	BC847	(SOT-23):Transistor SMD
33	1	Q2	BC857	(SOT-23):Transistor SMD
34	37	R1,R2,R3,R4,R6,R7,R8,R9, R18,R25,R30,R39,R53,R62, R71,R80,R89,R94,R96,R97, R98,R116,R119,R130,R132, R136,R150,R154,R156,R164, R166,R174,R176,R182,R183, R186,R187	1k00	(0805/0603):Componente SMD 1% size 0805 o 0603
35	24	R5,R20,R21,R31,R32,R40, R41,R54,R55,R63,R64,R72, R73,R81,R82,R90,R91,R100, R106,R126,R147,R155, R175,R185	100R0	(0805/0603):Componente SMD 1% size 0805 o 0603
36	2	R11,R10	10 1/2W	(R1/2W):Resistenza 10 Ohm 1/2W
37	2	R12,R13	RXE110	(RXE110):PTC (Fusibile Autoripristinante)

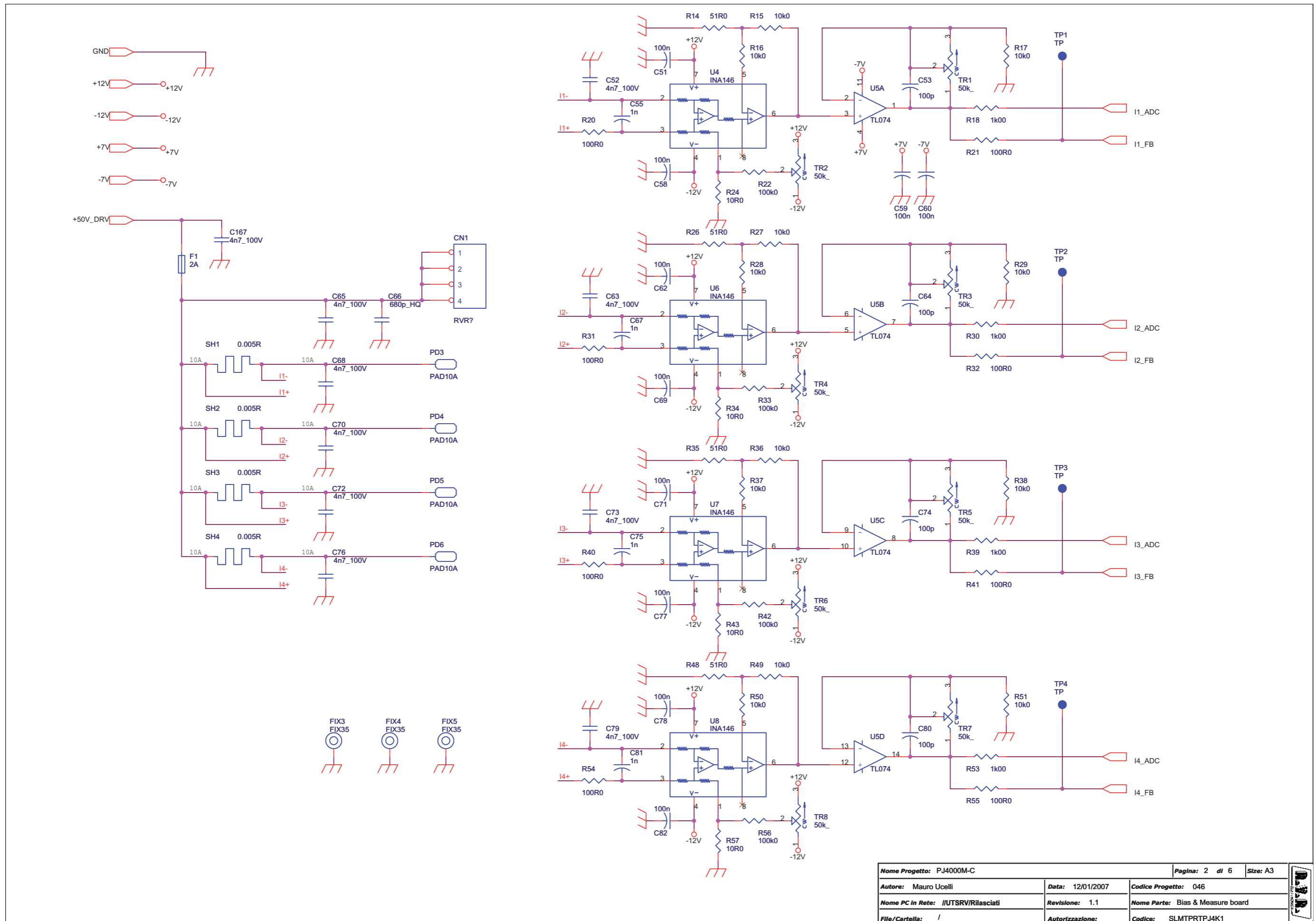
NOTA1

38	11	R14,R26,R35,R48,R58,R67, R76,R85,R158,R168,R178	51R0	(0805/0603):Componente SMD 1% size 0805 o 0603
39	56	R15,R16,R17,R23,R27,R28, R29,R36,R37,R38,R49,R50, R51,R59,R60,R61,R68,R69, R70,R77,R78,R79,R86,R87, R88,R95,R105,R108,R109, R111,R112,R115,R120,R121, R122,R123,R125,R127,R134, R135,R137,R138,R140,R141, R142,R145,R149,R153,R160, R162,R163,R169,R170,R173, R180,R165	10k0	(0805/0603):Componente SMD 1% size 0805 o 0603
40	15	R19,R22,R33,R42,R56,R65, R74,R83,R92,R102,R107, R110,R139,R143,R144	100k0	(0805/0603):Componente SMD 1% size 0805 o 0603
41	8	R24,R34,R43,R57,R66,R75, R84,R93	10R0	(0805/0603):Componente SMD 1% size 0805 o 0603
42	4	R44,R45,R46,R47	20k0 1/4W	(R1/4W):Resistenza 20K 1% 1/4W
43	1	R52	422R	(0805/0603):Componente SMD 1% size 0805 o 0603
44	1	R99	2k2	(0805/0603):Componente SMD 1% size 0805 o 0603
45	5	R101,R152,R159,R172,R179	47k0	(0805/0603):Componente SMD 1% size 0805 o 0603
46	1	R103	10k 1/4W	(R1/4W):Resistenza 10K 5% 1/4W
47	1	R104	56k0	(0805/0603):Componente SMD 1% size 0805 o 0603
48	2	R113,R221	4k7	(0805/0603):Componente SMD 1% size 0805 o 0603
49	1	R114	2k7	(0805/0603):Componente SMD 1% size 0805 o 0603
50	2	R117,R118	20k0	(0805/0603):Componente SMD 1% size 0805 o 0603
51	2	R128,R124	5k90	(0805/0603):Componente SMD 1% size 0805 o 0603
52	1	R129	33k2	(0805/0603):Componente SMD 1% size 0805 o 0603
53	1	R131	16k9	(0805/0603):Componente SMD 1% size 0805 o 0603
54	7	R133,R151,R157,R167,R177, R184,R188	470R	(0805/0603):Componente SMD 1% size 0805 o 0603
55	1	R146	18k7	(0805/0603):Componente SMD 1% size 0805 o 0603
56	1	R148	Rx	Non Installata
57	3	R161,R171,R181	0R	(0805/0603):Componente SMD size 0805 o 0603
58	32	R189,R190,R191,R192,R193, R194,R195,R196,R197,R198, R199,R200,R201,R202,R203, R204,R205,R206,R207,R208, R209,R210,R211,R212,R213, R214,R215,R216,R217,R218, R219,R220	820R	(0805/0603):Componente SMD 5% size 0805
59	8	SH1,SH2,SH3,SH4,SH5,SH6, SH7,SH8	SHUNT2.5	(SHUNT_2.5):SHUNT (2.5W) p.15.2, larg. 3, fori diam. 1.9
60	8	TP1,TP2,TP3,TP4,TP5,TP6, TP7,TP8	TP	(TP2.54):Non è un componente
61	17	TR1,TR2,TR3,TR4,TR5,TR6, TR7,TR8,TR9,TR10,TR11, TR12,TR13,TR14,TR15,TR16, TR17	50k	(TRIM87W):Trimmer resistivo multigiri reg. in testa
62	3	TR18,TR19,TR20	1k	(TRIM87W):Trimmer resistivo multigiri reg. in testa
63	1	U1	LM7812/TO220_90B	(78XX/TO220_90BOT)
64	1	U2	LM7912/TO220_90B	(79XX/TO220_90BOT)
65	1	U3	LM7805/TO220_90B	(78XX/TO220_90BOT)
66	8	U4,U6,U7,U8,U9,U11,U12, U13	INA146	(SO-8):IC SMD 8pins
67	14	U5,U10,U15,U16,U18,U19, U21,U22,U23,U24,U25,U26, U27,U28	TL074	(TL074/SO14): IC SMD 14pins
68	2	U14,U20	TL072	(TL072/SO8):IC SMD 8pins
69	1	U17	LM50C_SMD	(SOT-23):IC Sonda termica LM50C SMD

NOTA1 Mettere a massa il pin 34 grattando via il solder resist che ricopre tutto il ground che sta intorno

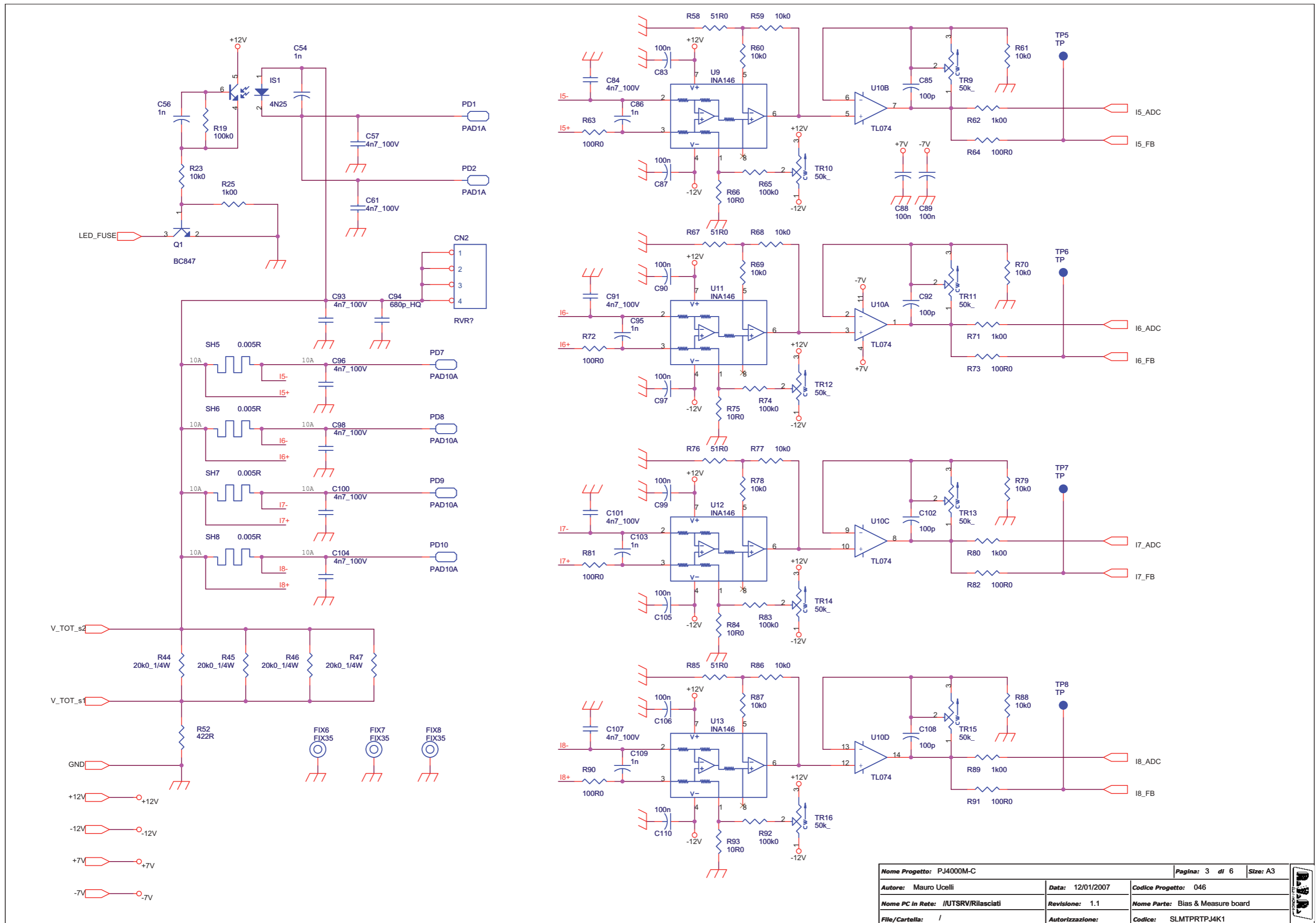


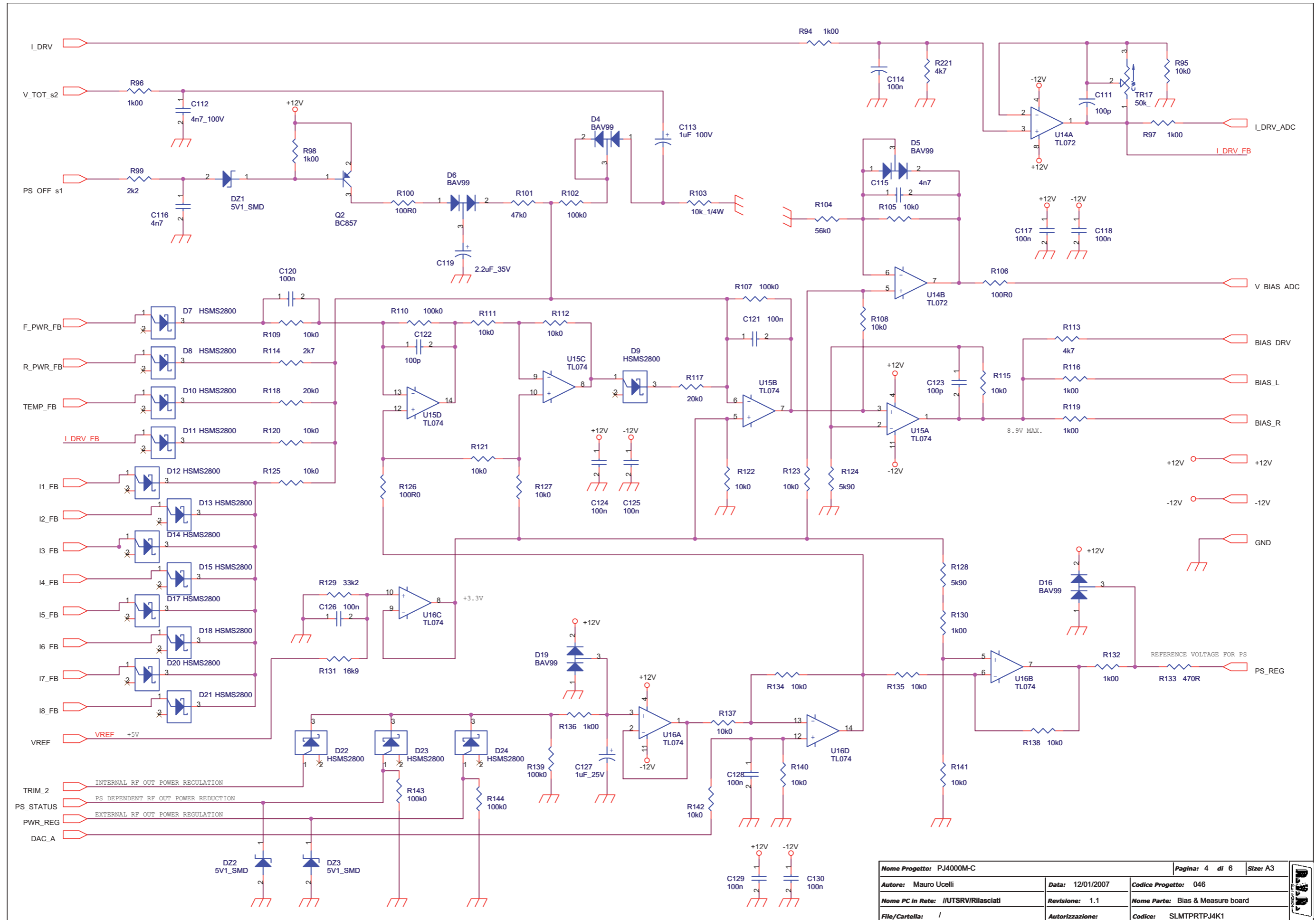
Nome Progetto: PJ4000M-C	Data: 12/01/2007	Codice Progetto: 046	Pagina: 1 di 6	Size: A3
Autore: Mauro Ucelli	Revisione: 1.1	Nome Parte: Bias & Measure board		
Nome PC In Rete: //UTSRV/Rilasciati	Autorizzazione:	Codice: SLMTPRTPJ4K1		
File/Cartella: /				



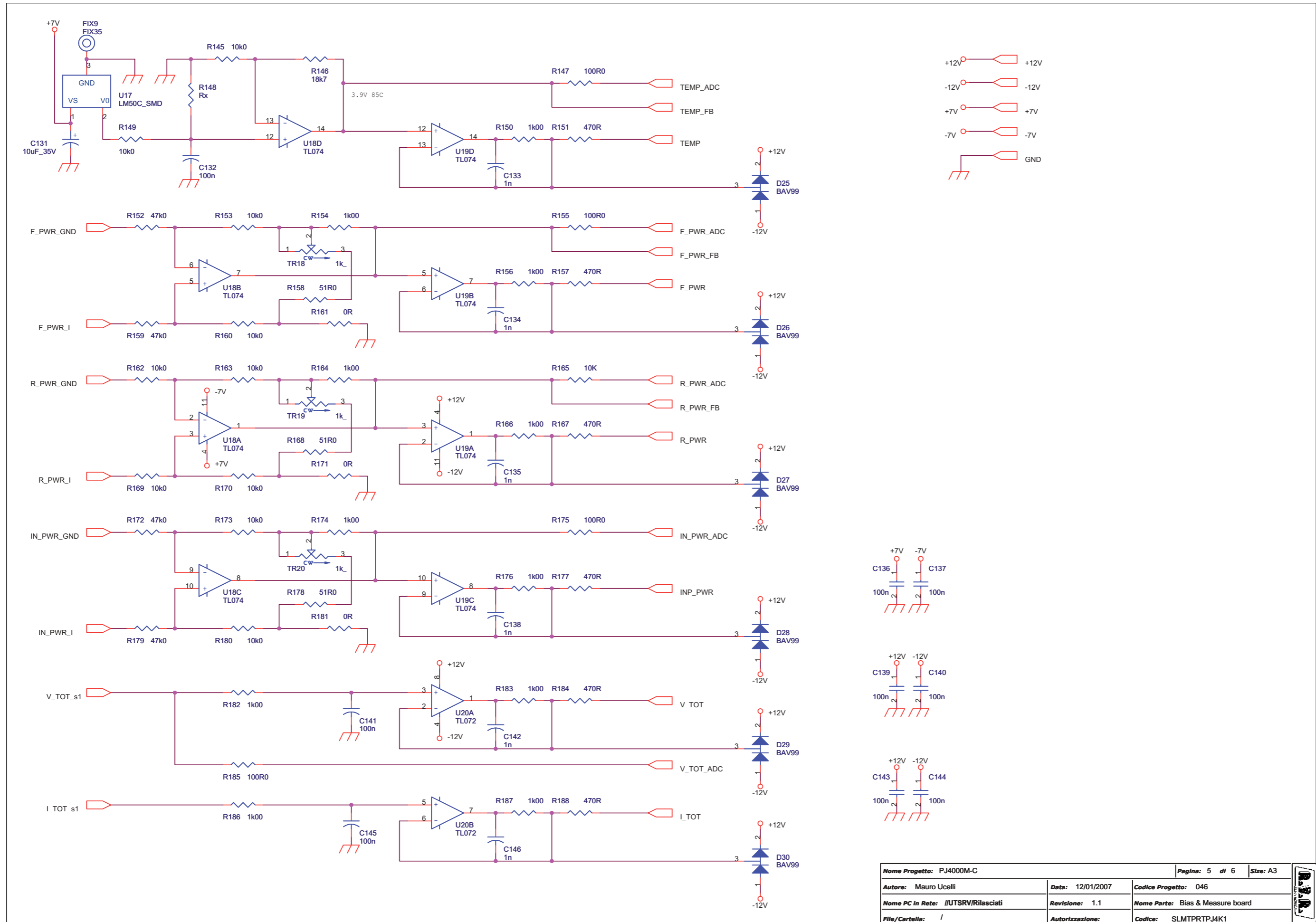
Nome Progetto: PJ4000M-C		Pagina: 2 di 6	Size: A3
Autore: Mauro Ucelli	Data: 12/01/2007	Codice Progetto: 046	
Nome PC in Rete: //UTSRV/Rilasciati	Revisione: 1.1	Nome Parte: Bias & Measure board	
File/Cartella: /	Autorizzazione:	Codice: SLMTPRTPJ4K1	

SLMTPRTPJ4K1

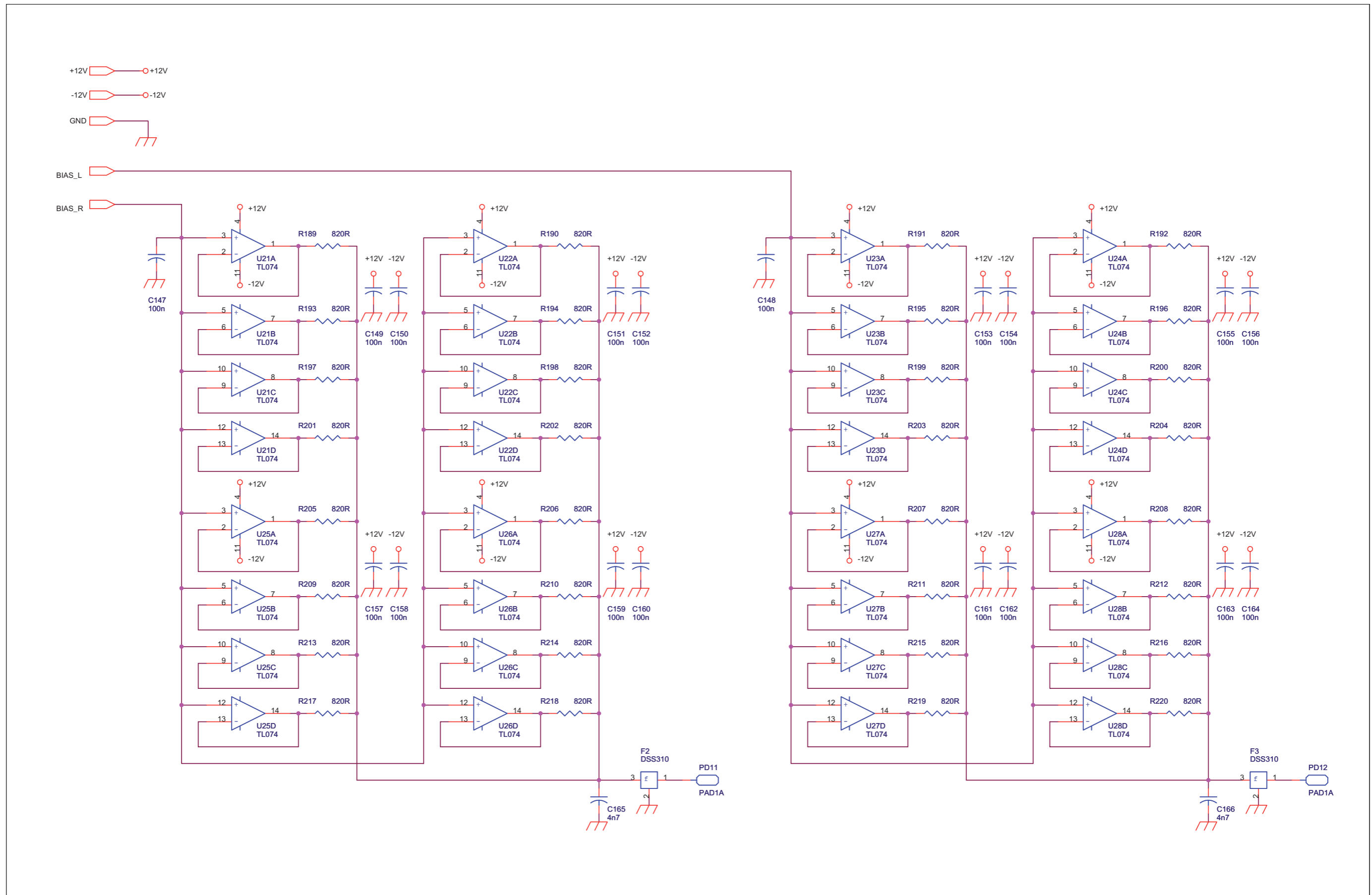




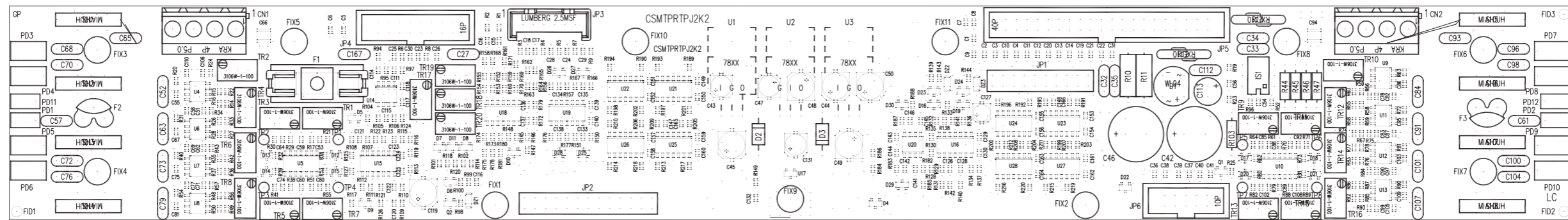
Nome Progetto: PJ4000M-C		Pagina: 4 di 6	Size: A3
Autore: Mauro Ucelli	Data: 12/01/2007	Codice Progetto: 046	
Nome PC in Rete: /UTSRV/Rilasciati	Revisione: 1.1	Nome Parte: Bias & Measure board	
File/Cartella: /	Autorizzazione:	Codice: SLMTPRTPJ4K1	



Nome Progetto: PJ4000M-C		Pagina: 5 di 6	Size: A3
Autore: Mauro Ucelli	Data: 12/01/2007	Codice Progetto: 046	
Nome PC in Rete: //UTSRV/Rilasciati	Revisione: 1.1	Nome Parte: Bias & Measure board	
File/Cartella: /	Autorizzazione:	Codice: SLMTPRTPJ4K1	



Nome Progetto: PJ4000M-C		Pagina: 6 di 6	Size: A3
Autore: Mauro Ucelli	Data: 12/01/2007	Codice Progetto: 046	
Nome PC in Rete: //UTSRV/Rilasciati	Revisione: 1.1	Nome Parte: Bias & Measure board	
File/Cartella: /	Autorizzazione:	Codice: SLMTPRTPJ4K1	



	NOME PROGETTO: PJ4000M-C	NOME PARTE: BIAS & MEASURE BOARD			
	AUTORE: M. UCCELLI	DATA: 07/06/2006	REVISIONE: 1.0	SCALA: 1:1	SIZE: A3
ARCHIVIAZIONE ELETTRONICA: "CARTELLA PROGETTI" SU "UT_SRV"		CODICE PROGETTO: 046	CODICE DISEGNO: SLMTPRTPJ4K1		
MATERIALE: <>	TRATTAMENTO: <>	PROFILO: <>	STATO: ESECUTIVO		

SLMTPRTPJ4K1

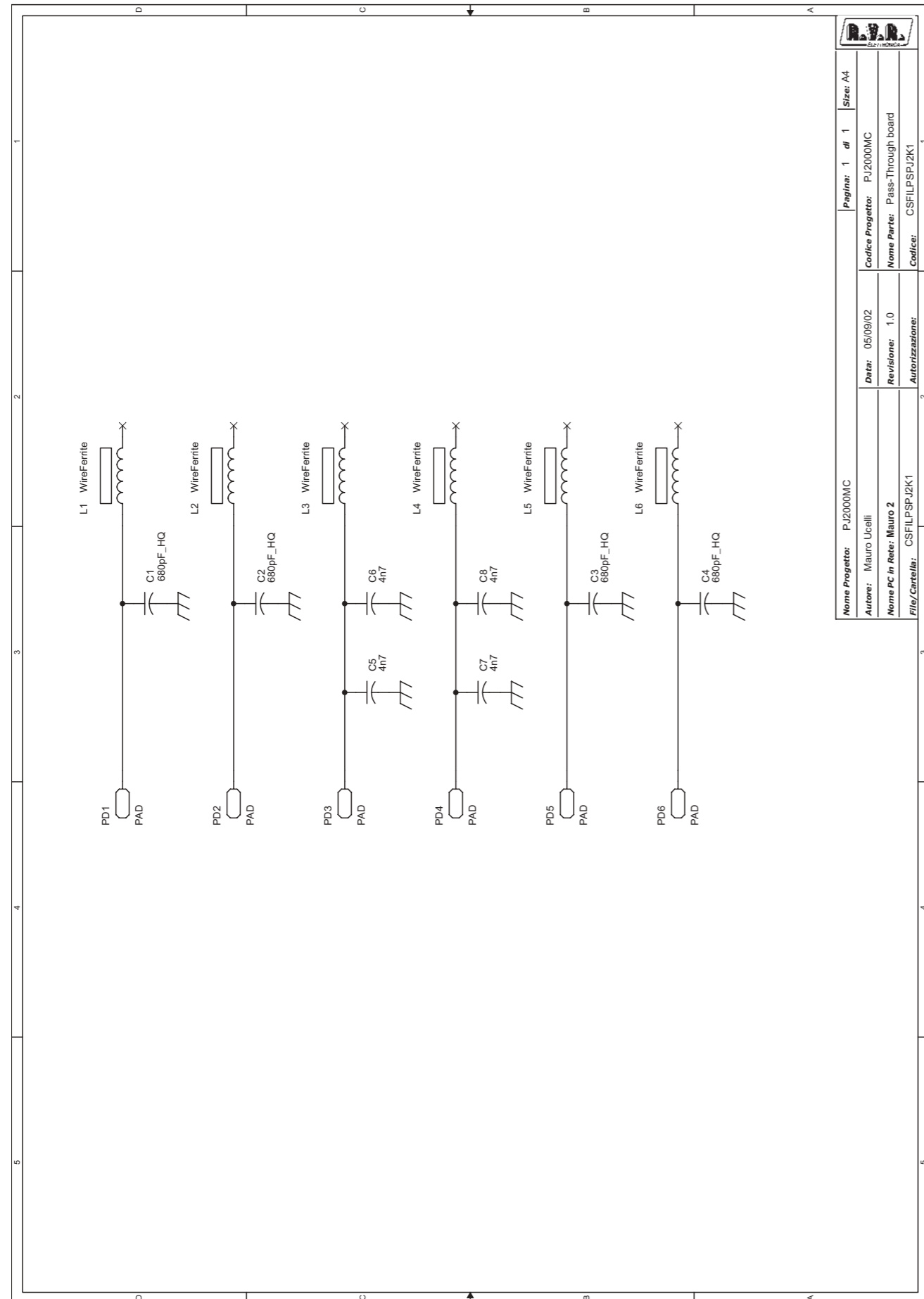
Bias & Measure board
SLMTPRTPJ4K1
Revision: 1.1
046
PJ4000M-C
Mauro Ucelli
12/01/2006

Item	Quantity	Reference	Part	Description	RVR Code
1	2	CN2, CN1	Connettore meccan.	Semilavorato RVR	FISCAVKIT113 (PZ1) + BLCFCAV113 (PZ2)
2	40	C1, C2, C3, C4, C5, C6, C7, C8, C9, C10, C11, C12, C13, C14, C15, C16, C17, C18, C19, C20, C21, C22, C23, C24, C25, C26, C28, C29, C30, C31, C36, C37, C38, C39, C40, C41, C115, C116, C165, C166	4n7	(0805/0603):Componente SMD size 0805 o 0603	CCC085472KXC
3	25	C27, C33, C34, C52, C57, C61, C63, C65, C68, C70, C72, C73, C76, C79, C84, C91, C93, C96, C98, C100, C101, C104, C107, C112, C167	4n7 100V	(CCP5):Condensatore Ceramico passo 5.08	CMS472MC101
4	2	C32, C35	100p_50V	(CCP5):Condensatore Ceramico passo 5.08	CKM101KC600C
5	2	C46, C42	1000uF_35V	(CEV_D13.2P5.08):Cond. Elet. Vert. diam. 13.2mm passo 5.08	CEA108MC350V
6	3	C43, C47, C131	10uF_35V	(CES5X5.5):Cond. Elet. All. SMD diametro 5 altezza 5.5	CES106B350
7	5	C44, C45, C48, C49, C50	100uF_35V	(CES6.3X8):Cond. Elet. All. SMD diametro 6.5 altezza 8	CES107E250
8	1	C119	2.2uF_35V	Cond. Elet. All. SMD diametro 4 altezza 5.5	CES225A500
9	58	C51, C58, C59, C60, C62, C69, C71, C77, C78, C82, C83, C87, C88, C89, C90, C97, C99, C105, C106, C110, C114, C117, C118, C120, C121, C124, C125, C126, C128, C129, C130, C132, C136, C137, C139, C140, C141, C143, C144, C145, C147, C148, C149, C150, C151, C152, C153, C154, C155, C156, C157, C158, C159, C160, C161, C162, C163, C164	100n	(0805/0603):Componente SMD size 0805 o 0603	CCC085104KXC
10	11	C53, C64, C74, C80, C85, C92, C102, C108, C111, C122, C123	100p	(0805/0603):Componente SMD size 0805 o 0603	CCC085101JCC
11	16	C54, C55, C56, C67, C75, C81, C86, C95, C103, C109, C133, C134, C135, C138, C142, C146	1n	(0805/0603):Componente SMD size 0805 o 0603	CCC085102JNC
12	2	C94, C66	680p_HQ	(CSMD_HQ):Chip HQ 680p	CHO681JA101
13	1	C113	1uF_100V	(CEV_D6.6P2.54):Cond. Elet. Vert. diam. 6.5mm passo 2.54	CEA105MA500V
14	1	C127	1uF_25V	(CES4X5.5):Cond. Elet. All. SMD diametro 4 altezza 5.5	CES105A500
15	3	D21, D22, D23	5V1_SMD	(MINIMELF):Zener SMD 5V1	DI25V1MINI
16	1	D1	WL04	(WL04):Ponte diodi rettificatore circolare	PNRWL02
17	2	D3, D2	5V1_1W	(ZENER_1W):Diodo Zener 5V1 1W (come diodi rettificatori da 1A)	DI25V11W
18	11	D4, D5, D6, D16, D19, D25, D26, D27, D28, D29, D30	BAV99	(SOT-23):Diodo SMD SOT-23	DISBAV99
19	16	D7, D8, D9, D10, D11, D12, D13, D14, D15, D17, D18, D20, D21, D22, D23, D24	HSMS2800	(SOT-23):Diodo SMD SOT-23	DISHSMS2800
20	11	FIX1, FIX2, FIX3, FIX4, FIX5, FIX6, FIX7, FIX8, FIX9, FIX10, FIX11	FIX35	(FIX35):Non è un componente	
21	1	F1	2A	(FHOLDER_C):Portafusibile a Clip per Fuse 5x20 2A da c.s.	PFS5X20CS+FUS5X20RP2+COPPF5X20CS
22	2	F3, F2	DSS310	(DSS310):Filtro MURATA mod. DSS310	FILTRO ANTIDIST.EMI MURATA 22NF 50V
23	1	IS1	4N25	(DIP6_L):Opto su zoccolo 8pins	LED4N26
24	1	JP1	STRIP_10+10	(STRIP10X2):Strip 10+10 poli passo 2.54 Femmina	CNTSTF10DDB
25	1	JP2	STRIP_13+13	(STRIP13X2):Strip 13+13 poli passo 2.54 Femmina	CNTSTF13DDB
26	1	JP3	LUMBERG_6PV	(LUMBERG_6PV):Connettore tipo Lumberg 6 poli verticale	CNT25MSF6
27	1	JP4	CN16_FLAT	(FLAT16V):Conn. per Flat Cable 16pp Vert	CNTMCS16A
28	1	JP5	CN40_FLAT	(FLAT40V):Conn. per Flat Cable 40pp Vert	CNTMCS40A
29	1	JP6	CN10_FLAT	(FLAT10V):Conn. per Flat Cable 10pp Vert	CNTMCS10A
30	4	PD1, PD2, PD11, PD12	PAD1A	(PAD1A):Non è un componente	
31	8	PD3, PD4, PD5, PD6, PD7, PD8, PD9, PD10	PAD10A	(PAD10A):Non è un componente	
32	1	Q1	BC847	(SOT-23):Transistor SMD	TRNBC847
33	1	Q2	BC857	(SOT-23):Transistor SMD	TRNBC857
34	37	R1, R2, R3, R4, R6, R7, R8, R9, R18, R25, R30, R39, R53, R62, R71, R80, R89, R94, R96, R97, R98, R116, R119, R130, R132, R136, R150, R154, R156, R164, R166, R174, R176, R182, R183, R186, R187	1k00	(0805/0603):Componente SMD 1% size 0805 o 0603	RCH085F0001K
35	24	R5, R20, R21, R31, R32, R40, R41, R54, R55, R63, R64, R72, R73, R81, R82, R90, R91, R100, R106, R126, R147, R155, R175, R185	100R0	(0805/0603):Componente SMD 1% size 0805 o 0603	RCH085F0100H
36	2	R11, R10	10_1/2W	(R1/2W):Resistenza 10 Ohm 1/2W	RSC1/2J0010H
37	2	R12, R13	RXE110	(RXE110):PTC (Fusibile Autoripristinante)	FUSAUTRX110A
38	11	R14, R26, R35, R48, R58, R67, R76, R85, R159, R169, R178, R115, R16, R17, R23, R27, R28, R29, R36, R37, R38, R49, R50, R51, R59, R60, R61, R68, R69, R70, R77, R78, R79, R86, R87, R88, R95, R105, R108, R109, R111, R112, R115, R120, R121, R122, R123, R125, R127, R134, R135, R137, R138, R140, R141, R142, R145, R149, R153, R160, R162, R163, R169, R170, R173, R180, R165	51R0	(0805/0603):Componente SMD 1% size 0805 o 0603	RCH085F0051H
39	56	R15, R16, R17, R23, R27, R28, R29, R36, R37, R38, R49, R50, R51, R59, R60, R61, R68, R69, R70, R77, R78, R79, R86, R87, R88, R95, R105, R108, R109, R111, R112, R115, R120, R121, R122, R123, R125, R127, R134, R135, R137, R138, R140, R141, R142, R145, R149, R153, R160, R162, R163, R169, R170, R173, R180, R165	10k0	(0805/0603):Componente SMD 1% size 0805 o 0603	RCH085F0010K
40	15	R19, R22, R33, R42, R56, R65, R74, R83, R92, R102, R107, R110, R139, R143, R144	100k0	(0805/0603):Componente SMD 1% size 0805 o 0603	RCH085F0100K
41	8	R24, R34, R43, R57, R66, R75, R84, R93	10R0	(0805/0603):Componente SMD 1% size 0805 o 0603	RCH085F0010H
42	4	R44, R45, R46, R47	20k0_1/4W	(R1/4W):Resistenza 20K 1% 1/4W	RSM1/4F0020K
43	1	R52	422R	(0805/0603):Componente SMD 1% size 0805 o 0603	RCH085F0422H

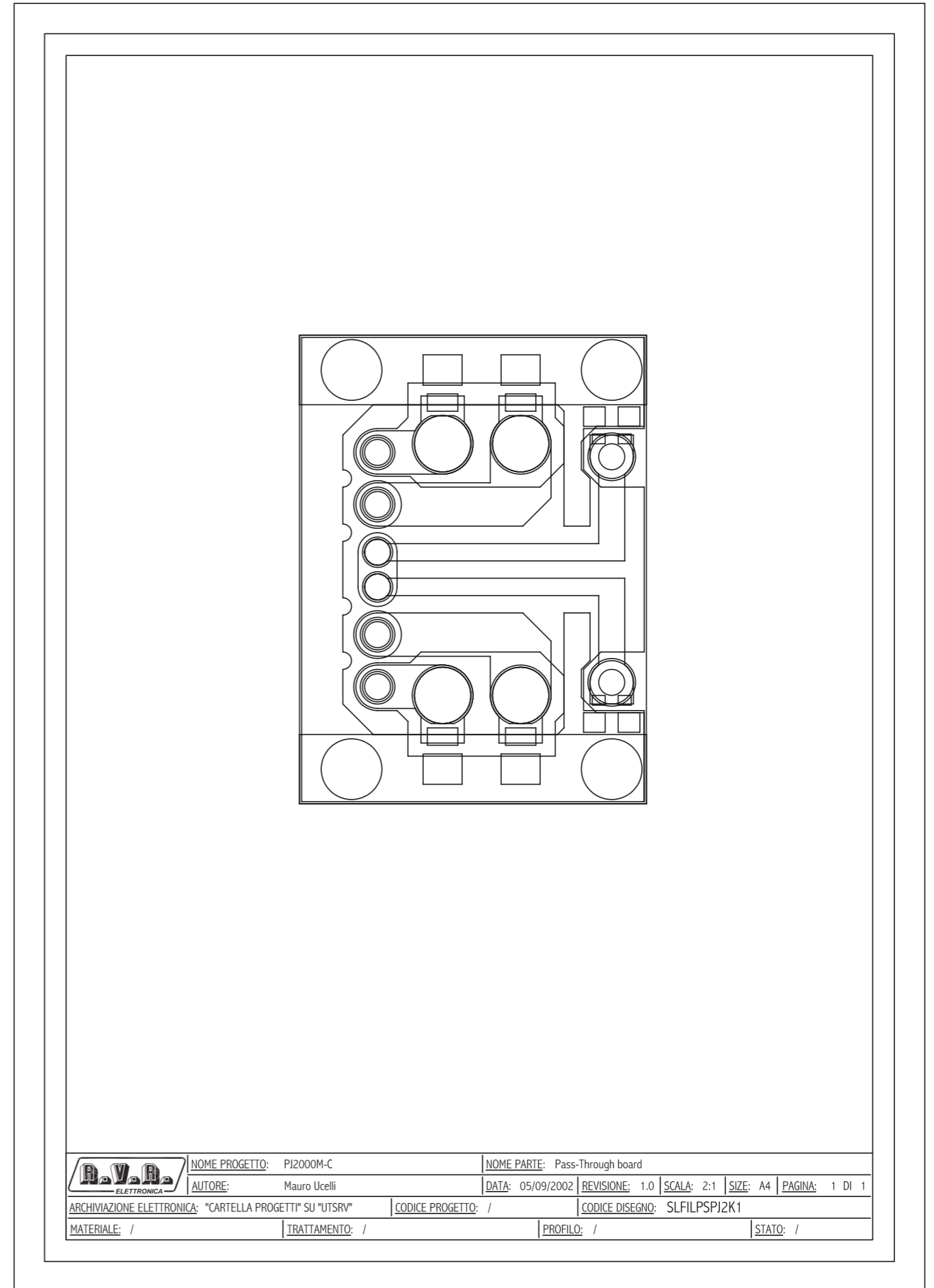
NOTA1

44	1	R99	2k2	(0805/0603):Componente SMD 1% size 0805 o 0603	RCH126F002K2
45	5	R101, R152, R159, R172, R179	47k0	(0805/0603):Componente SMD 1% size 0805 o 0603	RCH085F0047K
46	1	R103	10k_1/4W	(R1/4W):Resistenza 10K 5% 1/4W	RSM1/4F0010K
47	1	R104	56k0	(0805/0603):Componente SMD 1% size 0805 o 0603	RCH085F0056K
48	2	R113, R221	4k7	(0805/0603):Componente SMD 1% size 0805 o 0603	RCH126F004K7
49	1	R114	2k7	(0805/0603):Componente SMD 1% size 0805 o 0603	RCH085F002K7
50	2	R117, R118	20k0	(0805/0603):Componente SMD 1% size 0805 o 0603	RCH085F0020K
51	2	R128, R124	5k90	(0805/0603):Componente SMD 1% size 0805 o 0603	RCH085F005K9
52	1	R129	33k2	(0805/0603):Componente SMD 1% size 0805 o 0603	RCH085F0033K
53	1	R131	16k9	(0805/0603):Componente SMD 1% size 0805 o 0603	RCH085F016K9
54	7	R133, R151, R157, R167, R177, R184, R188	470R	(0805/0603):Componente SMD 1% size 0805 o 0603	RCH085F0470H
55	1	R146	18k7	(0805/0603):Componente SMD 1% size 0805 o 0603	RCH085F018K7
56	1	R148	Rx	Non Installata	
57	3	R161, R171, R181	0R	(0805/0603):Componente SMD size 0805 o 0603	RCH085F0000H
58	32	R189, R190, R191, R192, R193, R194, R195, R196, R197, R198, R199, R200, R201, R202, R203, R204, R205, R206, R207, R208, R209, R210, R211, R212, R213, R214, R215, R216, R217, R218, R219, R220	820R	(0805/0603):Componente SMD 5% size 0805	RCH085J0825H
59	8	SH1, SH2, SH3, SH4, SH5, SH6, SH7, SH8	0.005R	SHUNT (2.5W) p.15.2 larg. 3, fori diam. 1.9 0.005 Ohm	RSH03W0H005
60	8	TP1, TP2, TP3, TP4, TP5, TP6, TP7, TP8	TP	(TP2.54):Non è un componente	
61	17	TR1, TR2, TR3, TR4, TR5, TR6, TR7, TR8, TR9, TR10, TR11, TR12, TR13, TR14, TR15, TR16, TR17	50k	(TRIM87W):Trimmer resistivo multigiri reg. in testa	RVT3296WK050
62	3	TR18, TR19, TR20	1k	(TRIM87W):Trimmer resistivo multigiri reg. in testa	RVT3296WK001
63	1	U1	LM7812/TO220_90B	(78XX/TO220_90BOT)	CIL7812P
64	1	U2	LM7912/TO220_90B	(79XX/TO220_90BOT)	CIL7912PCIS
65	1	U3	LM7805/TO220_90B	(78XX/TO220_90BOT)	CIL7805P
66	8	U4, U6, U7, U8, U9, U11, U12, U13	INA146	(SO-8):IC SMD 8pins	CILINA146SMD
67	14	U5, U10, U15, U16, U18, U19, U21, U22, U23, U24, U25, U26, U27, U28	TL074	(TL074/SO14): IC SMD 14pins	CILT074SMD
68	2	U14, U20	TL072	(TL072/SO8):IC SMD 8pins	CILT072SMD
69	1	U17	LM50C_SMD	(SOT-23):IC Sonda termica LM50C SMD	CILLM50C
70	1	CS1	CSMTPRTPJ2K2	Circuito stampato	CSMTPRTPJ2K2
1				Zoccolo x integrato a 6 pin	ZIN06TORNS

NOTA1 Mettere a massa il pin 34 grattando via il solder resist che ricopre tutto il ground che sta intorno



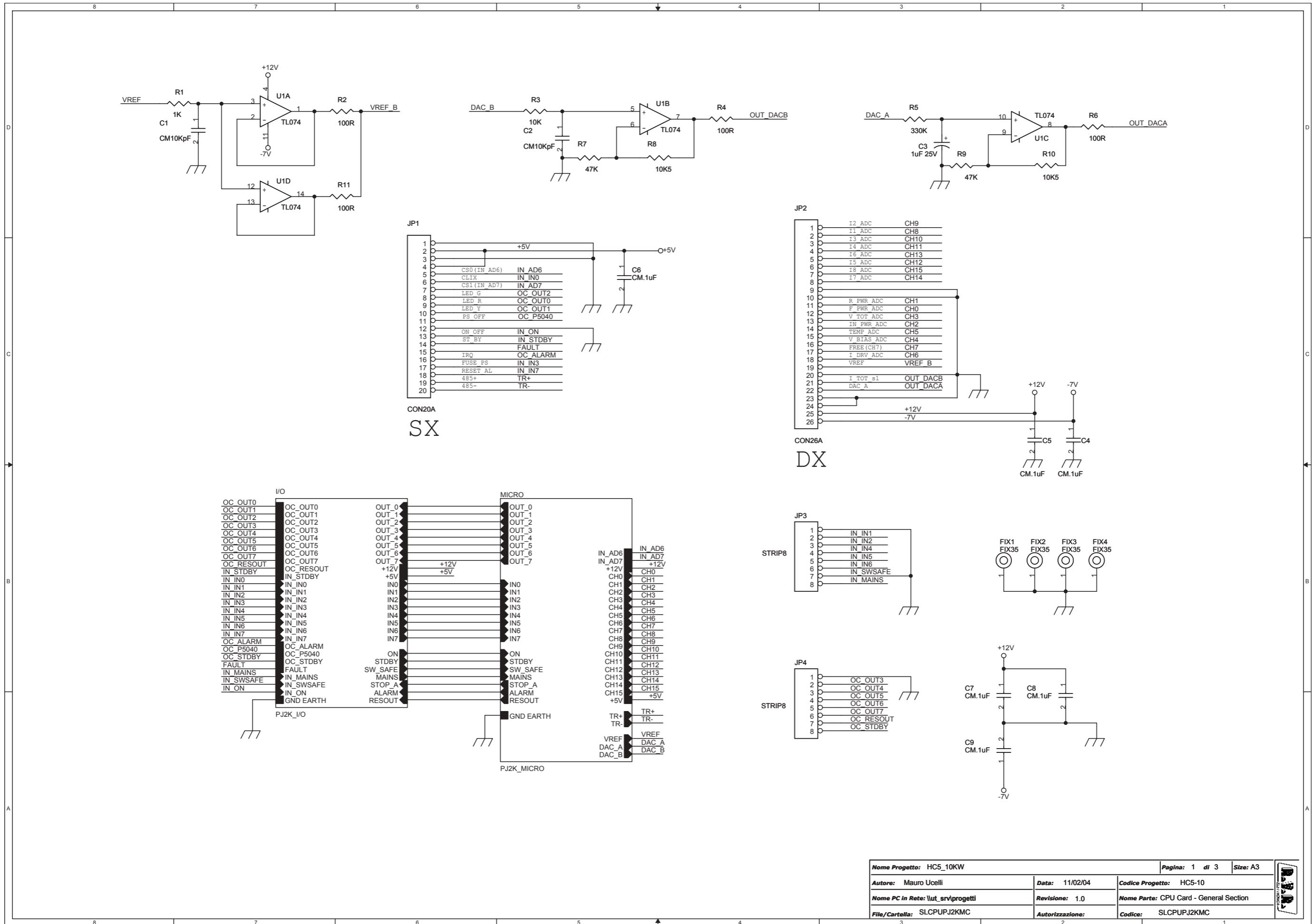
Nome Progetto: PJ2000MC		Pagina: 1 di 1		Size: A4
Autore: Mauro Ucelli		Data: 05/09/02		Codice Progetto: PJ2000MC
Nome PC in Rete: Mauro 2		Revisione: 1.0		Nome Parte: Pass-Through board
File/Carrello: CSFILPSPJ2K1		Autorizzazione:		Codice: CSFILPSPJ2K1



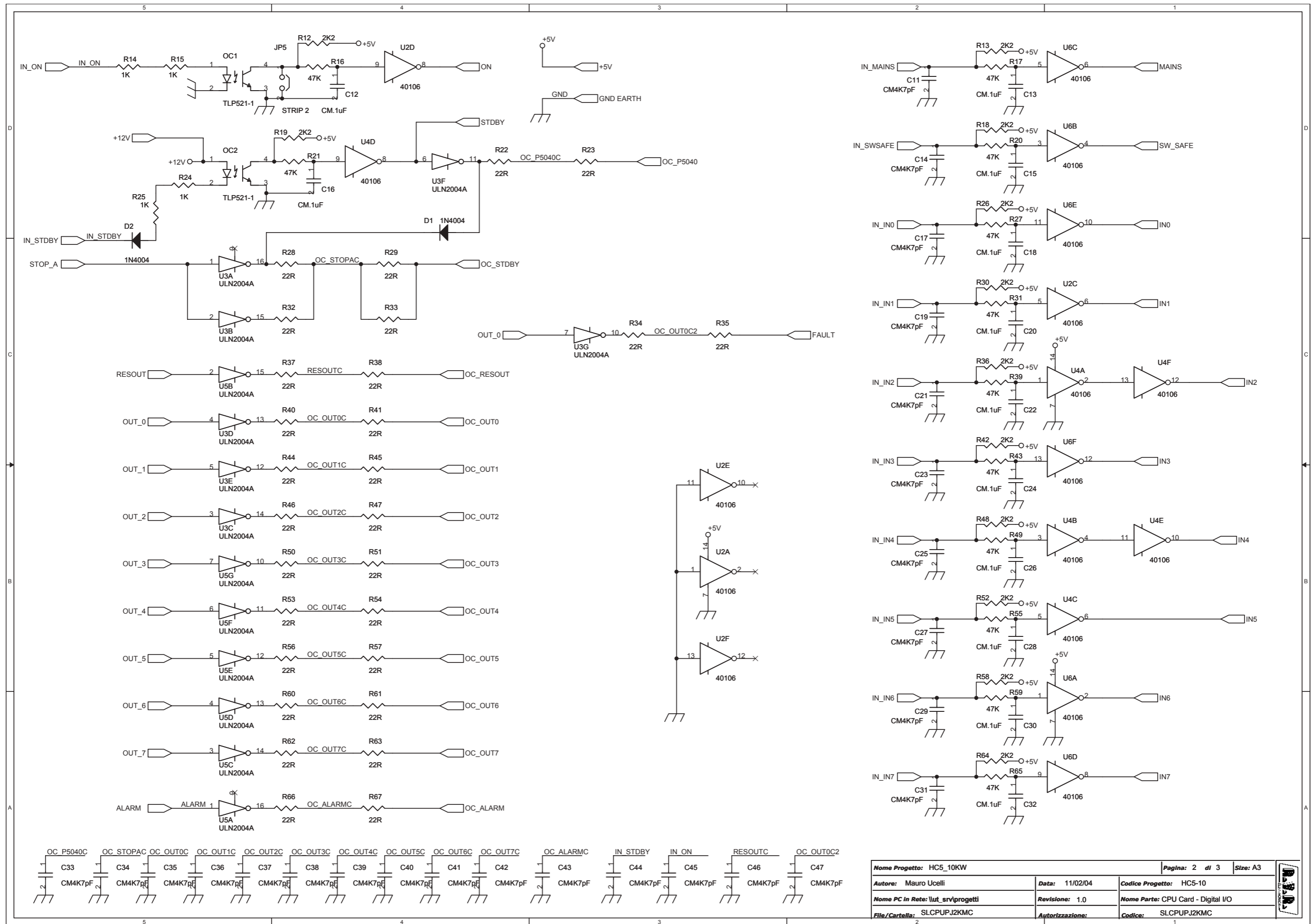
	NOME PROGETTO: PJ2000M-C	NOME PARTE: Pass-Through board			
	AUTORE: Mauro Ucelli	DATA: 05/09/2002	REVISIONE: 1.0	SCALA: 2:1	SIZE: A4
ARCHIVIAZIONE ELETTRONICA: "CARTELLA PROGETTI" SU "UTSRV"		CODICE PROGETTO: /	CODICE DISEGNO: SLFILPSPJ2K1		
MATERIALE: /	TRATTAMENTO: /	PROFILO: /	STATO: /		

Pass-Through board
SLFILPSPJ2K1
Revision: 1.0
PJ2000MC
Mauro Ucelli
05/09/2002

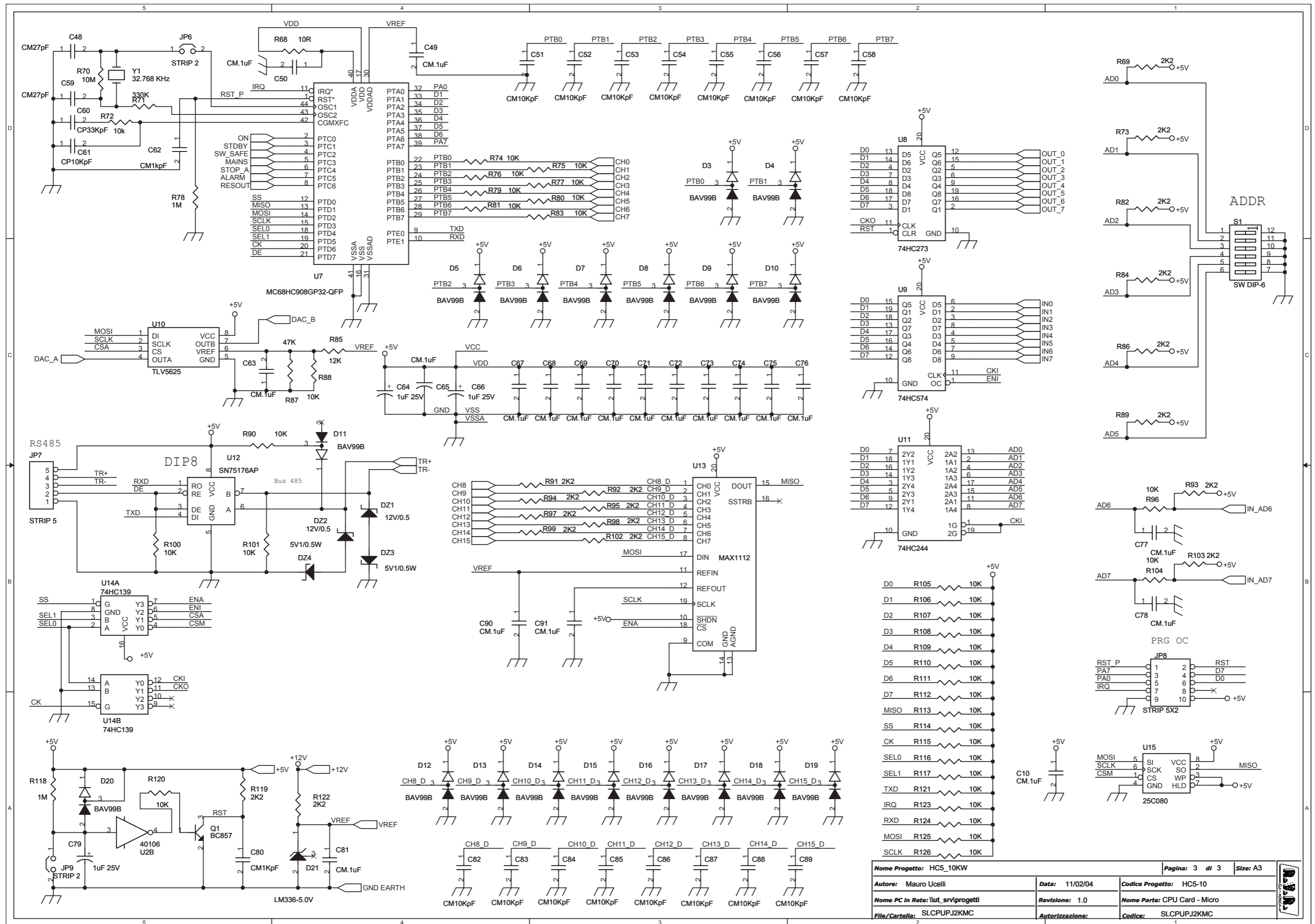
Item	Quantity	Reference	Part	Description
1	4	C1,C2,C3,C4	680pF_HQ	;Condensatore Chip HQ
2	4	C5,C6,C7,C8	4n7	;Condensatore SMD size 0805
3	6	L1,L2,L3,L4, L5,L6	WireFerrite	;Filo di rame arg. diam. 1mm lung. 20mm con tubetto in Ferrite



Nome Progetto: HC5_10KW		Pagina: 1 di 3	Size: A3
Autore: Mauro Ucelli	Data: 11/02/04	Codice Progetto: HC5-10	
Nome PC in Rete: \lut_srv\progetti	Revisione: 1.0	Nome Parte: CPU Card - General Section	
File/Cartella: SLCPUPJ2KMC	Autorizzazione:	Codice: SLCPUPJ2KMC	

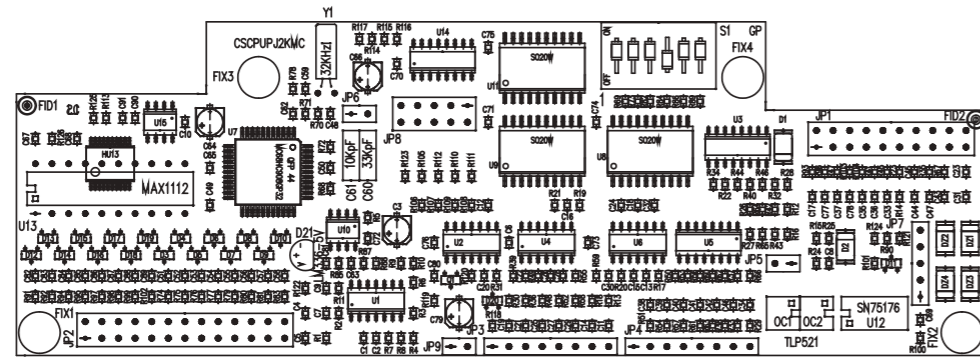


Nome Progetto: HC5_10KW		Pagina: 2 di 3		Size: A3
Autore: Mauro Ucelli	Data: 11/02/04	Codice Progetto: HC5-10		
Nome PC in Rete: \lut_srv\progetti	Revisione: 1.0	Nome Parte: CPU Card - Digital I/O		
File/Cartella: SLCPUJ2KMC	Autorizzazione:	Codice: SLCPUJ2KMC		



Nome Progetto: HC5_10KW		Pagina: 3 di 3		Size: A3
Autore: Mauro Ucelli	Data: 11/02/04	Codice Progetto: HC5-10		
Nome PC in Rete: \lut_srv\progetti	Revisione: 1.0	Nome Parte: CPU Card - Micro		
File/Cartella: SLCPUPJ2KMC	Autorizzazione:	Codice: SLCPUPJ2KMC		

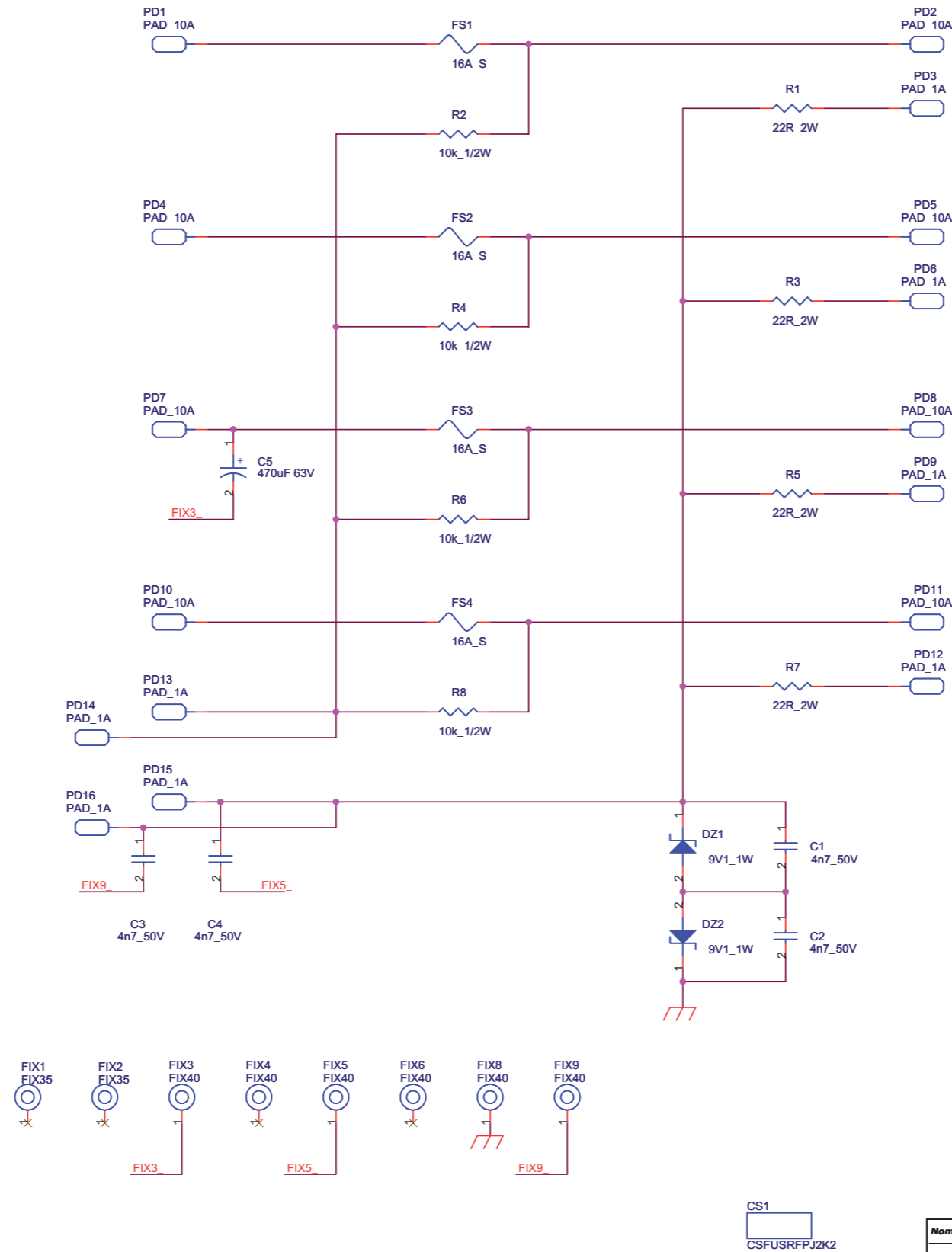
General Revised: Thursday, May 29, 2003
CSCPUPJ2KMC Revision: 1



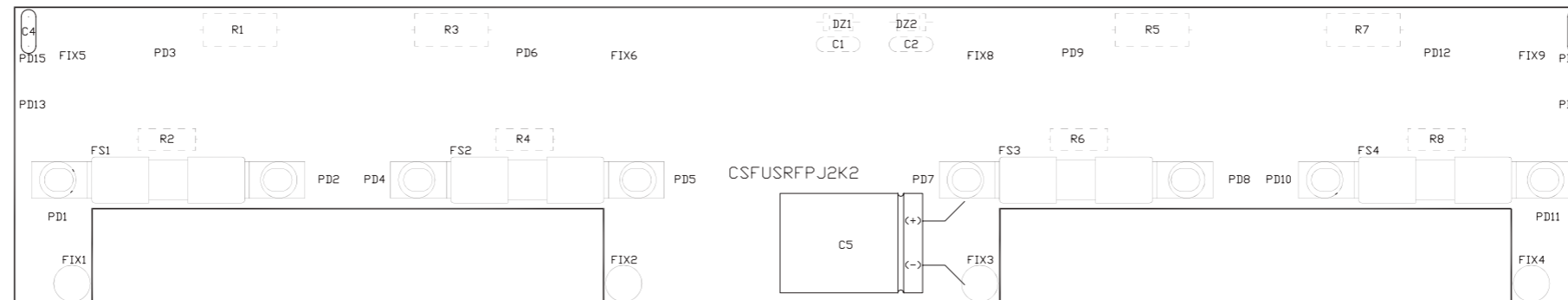
Item	Quantity	Reference	Part
1	18	C1, C2, C51, C52, C53, C54, C55, C56, C57, C58, C82, C83, C84, C85, C86, C87, C88, C89	CM10KpF
2	4	C3, C64, C66, C79	1uF 25V
3	38	C4, C5, C6, C7, C8, C9, C10, C12, C13, C15, C16, C18, C20, C22, C24, C26, C28, C30, C32, C49, C50, C63, C65, C67, C68, C69, C70, C71, C72, C73, C74, C75, C76, C77, C78, C81, C90, C91	CM.1uF
4	25	C11, C14, C17, C19, C21, C23, C25, C27, C29, C31, C33, C34, C35, C36, C37, C38, C39, C40, C41, C42, C43, C44, C45, C46, C47	CM4K7pF
5	2	C48, C59	CM27pF
6	1	C60	CP33KpF
7	1	C61	CP10KpF
8	2	C62, C80	CM1KpF
9	2	DZ2, DZ1	12V/0.5
10	2	DZ4, DZ3	5V1/0.5W
11	2	D1, D2	1N4004
12	18	D3, D4, D5, D6, D7, D8, D9, D10, D11, D12, D13, D14, D15, D16, D17, D18, D19, D20	BAV99B
13	1	D21	LM336-5.0V
14	4	FIX1, FIX2, FIX3, FIX4	FIX35
15	1	JP1	CON20A
16	1	JP2	CON26A
17	2	JP4, JP3	STRIP8
18	3	JP5, JP6, JP9	STRIP 2
19	1	JP7	STRIP 5
20	1	JP8	STRIP 5X2
21	2	OC1, OC2	TLP521-1
22	1	Q1	BC857
23	5	R1, R14, R15, R24, R25	1K
24	4	R2, R4, R6, R11	100R
25	35	R3, R72, R74, R75, R76, R77, R79, R80, R81, R83, R88, R90, R96, R100, R101, R104, R105, R106, R107, R108, R109, R110, R111, R112, R113, R114, R115, R116, R117, R120, R121, R123, R124, R125, R126	10K
26	2	R71, R5	330K
27	15	R7, R9, R16, R17, R20, R21, R27, R31, R39, R43, R49, R55, R59, R65, R87	47K
28	2	R8, R10	10K5
29	30	R12, R13, R18, R19, R26, R30, R36, R42, R48, R52, R58, R64, R69, R73, R82, R84, R86, R89, R91, R92, R93, R94, R95, R97, R98, R99, R102, R103, R119, R122	2K2
30	28	R22, R23, R28, R29, R32, R33, R34, R35, R37, R38, R40, R41, R44, R45, R46, R47, R50, R51, R53, R54, R56, R57, R60, R61, R62, R63, R66, R67	22R
31	1	R68	10R
32	1	R70	10M
33	2	R118, R78	1M
34	1	R85	12K
35	1	S1	SW DIP-6
36	1	U1	TL074

	NOME PROGETTO: HCS/10	NOME PARTE: Scheda CPU				
	AUTORE: U.T. - Rev.: BERTI J.	DATA: 11/02/2004	REVISIONE: 1.0	SCALA: 1:1	SIZE: A4	PAGINA: 1 DI 1
ARCHIVIAZIONE ELETTRONICA: "CARTELLA PROGETTI" SU "UT_SRV"		CODICE PROGETTO: 014	CODICE DISEGNO: SLCPUPJ2KMC			
MATERIALE: /	TRATTAMENTO: /	PROFILO: /	STATO: ESECUTIVO			

Item	Quantity	Reference	Part
37	3	U2, U4, U6	40106
38	2	U5, U3	ULN2004A
39	1	U7	MC68HC908GP32-QFP
40	1	U8	74HC273
41	1	U9	74HC574
42	1	U10	TLV5625
43	1	U11	74HC244
44	1	U12	SN75176AP
45	1	U13	MAX1112
46	1	U14	74HC139
47	1	U15	25C080
48	1	Y1	32.768 KHz



Nome Progetto: PJ2000MC		Pagina: 1 di 1	Size: A3
Autore: Mauro Ucelli	Data: 11/03/08	Codice Progetto: _093	
Nome PC in Rete: IUTSRV/Rilasciati	Revisione: 1.1	Nome Parte: Fuse board RF section	
File/Cartella: /	Autorizzazione:	Codice: SLFUSRFPJ2K1	

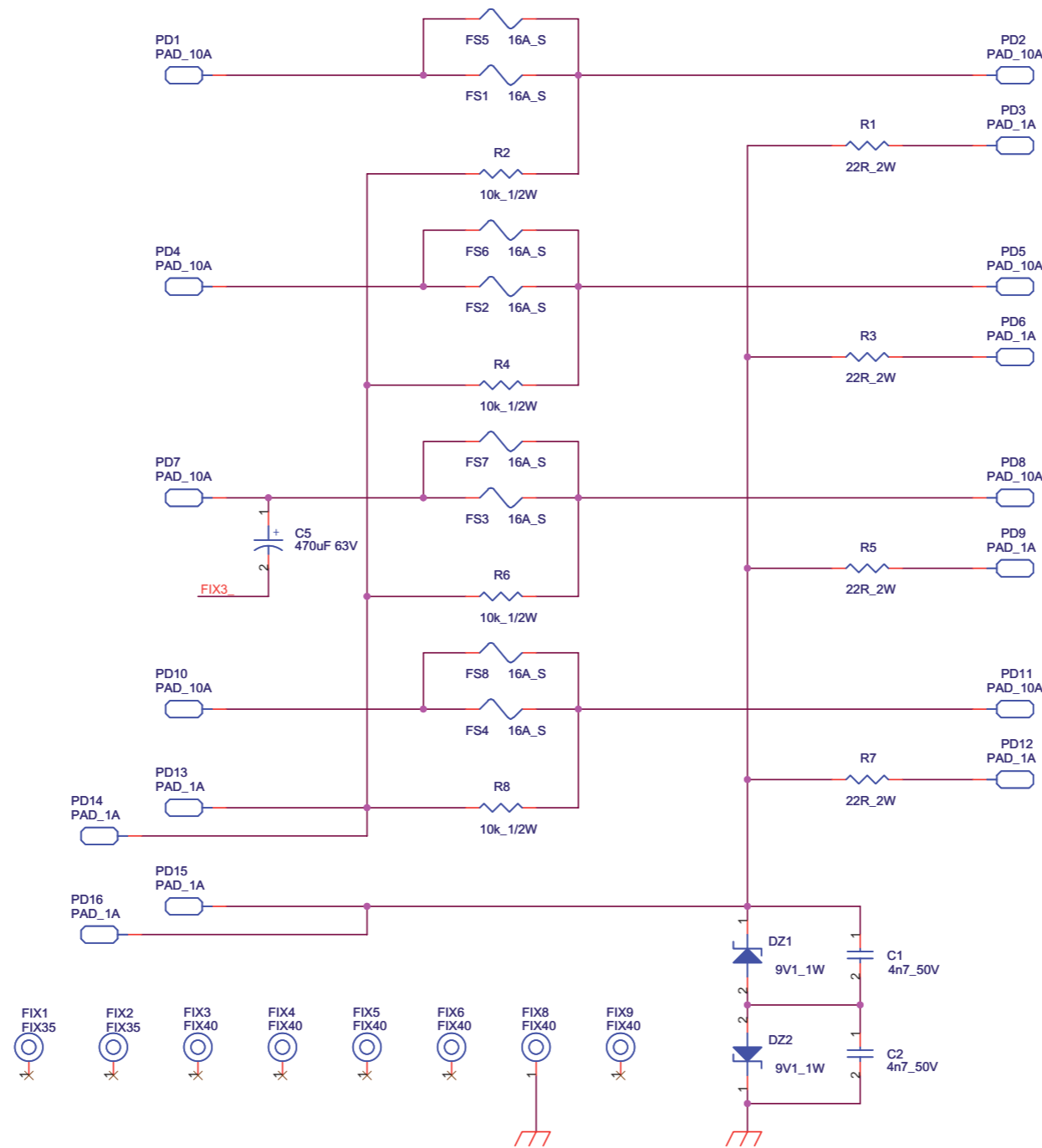


	NOME PROGETTO: PJ2000M-C	NOME PARTE: Fuse board RF section			
	AUTORE: Mauro Ucelli	DATA: 11/03/08	REVISIONE: 1.1	SCALA: 1:1	SIZE: A3
ARCHIVIAZIONE ELETTRONICA: "CARTELLA PROGETTI" SU "UTSRV"		CODICE PROGETTO: /	CODICE DISEGNO: SLFUSRFPJ2K1		
MATERIALE: /	TRATTAMENTO: /	PROFILO: /	STATO: /		

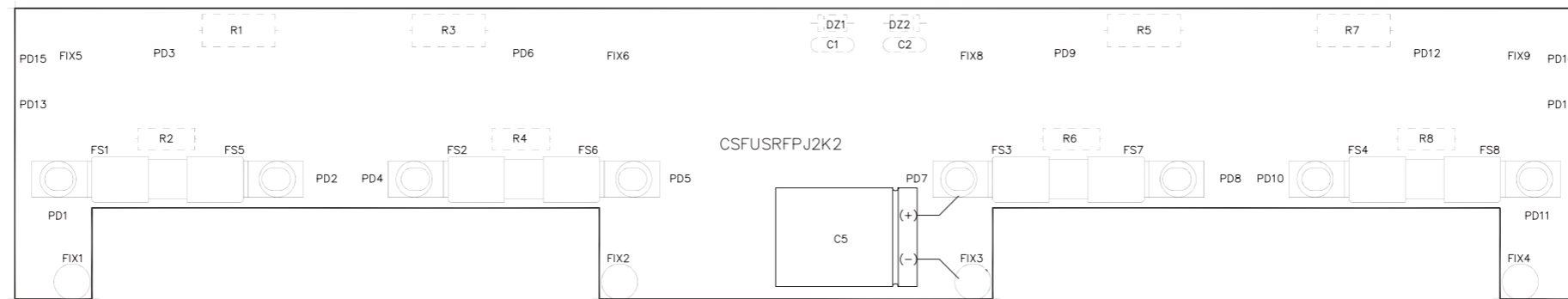
SLFUSRFPJ2K1

Fuse board RF section
 SLFUSRFPJ2K1
 Revision: 1.1
 PJ2000MC
 Mauro Ucelli
 11/03/2008

Item	Quantity	Reference	Part	Description
1	2	C2,C1	4n7_50V	; Condensatore ceramico 4n7 almeno 50V
2	2	DZ2,DZ1	9V1_1W	; Diodo Zener 9V1 1W
3	2	FIX1,FIX2	FIX35	; Non è un componente
4	6	FIX3,FIX4,FIX5,FIX6,FIX8, FIX9	FIX40	; Non è un componente
5	4	FS1,FS2,FS3,FS4	16A_S	; Fusibile 16A con fissaggio su colonette
6	8	PD1,PD2,PD4,PD5,PD7,PD8, PD10,PD11	PAD_10A	; Non è un componente
7	8	PD3,PD6,PD9,PD12,PD13, PD14,PD15,PD16	PAD_1A	; Non è un componente
8	4	R1,R3,R5,R7	22R_2W	; Resistenza 22 Ohm 2W
9	4	R2,R4,R6,R8	10k_1/2W	; Resistenza 10k 1/2W
10	2	C3,C4	4n7_50V	; Condensatore ceramico 4n7 almeno 50V
11	1	C5	470uF 63V	; Condensatore elettrol. 470uF 63V
12	1	CS1	CSFUSRFPJ2K2	;Circuito stampato



Nome Progetto: PJ4000M-C		Pagina: 1 di 1	Size: A3
Autore: Mauro Ucelli	Data: 17/09/2008	Codice Progetto: 046	
Nome PC in Rete: /	Revisione: 1.1	Nome Parte: Fuse board RF section	
File/Cartella: /	Autorizzazione:	Codice: SLFUSRFPJ4K1	

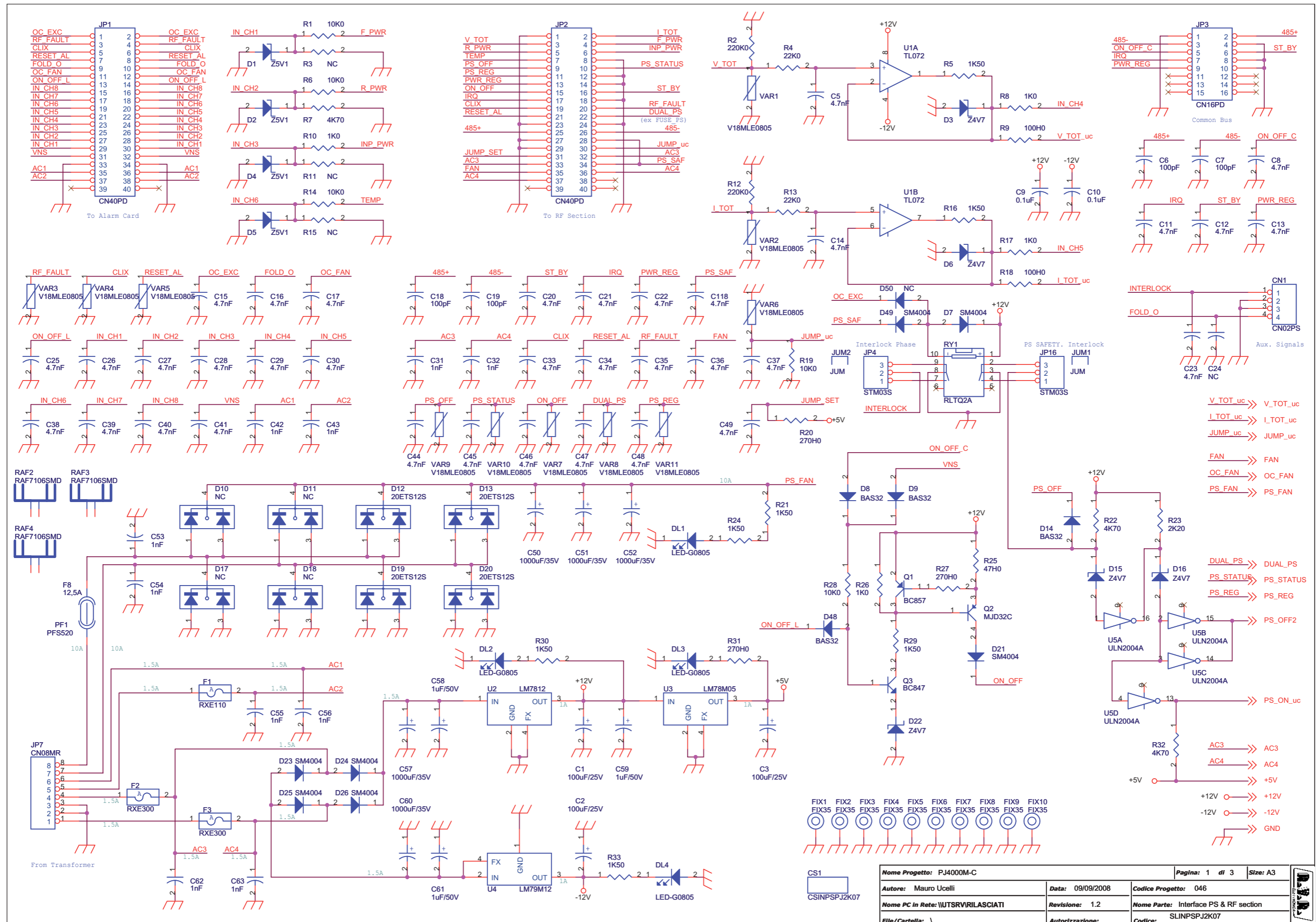


	NOME PROGETTO:	PJ4000M-C	NOME PARTE: Fuse board RF section									
	AUTORE:	G. Poluzzi	DATA:	17/09/2008	REVISIONE:	1.1	SCALA:	1:1	SIZE:	A3	PAGINA:	1 DI 1
ARCHIVIAZIONE ELETTRONICA: "CARTELLA PROGETTI" SU "UTSRV"			CODICE PROGETTO: /		CODICE DISEGNO: SLFUSRFPJ4K1							
MATERIALE: FR4			TRATTAMENTO: Mater. 1.6mm			PROFILO: RAME 35u		STATO: ESECUTIVO				

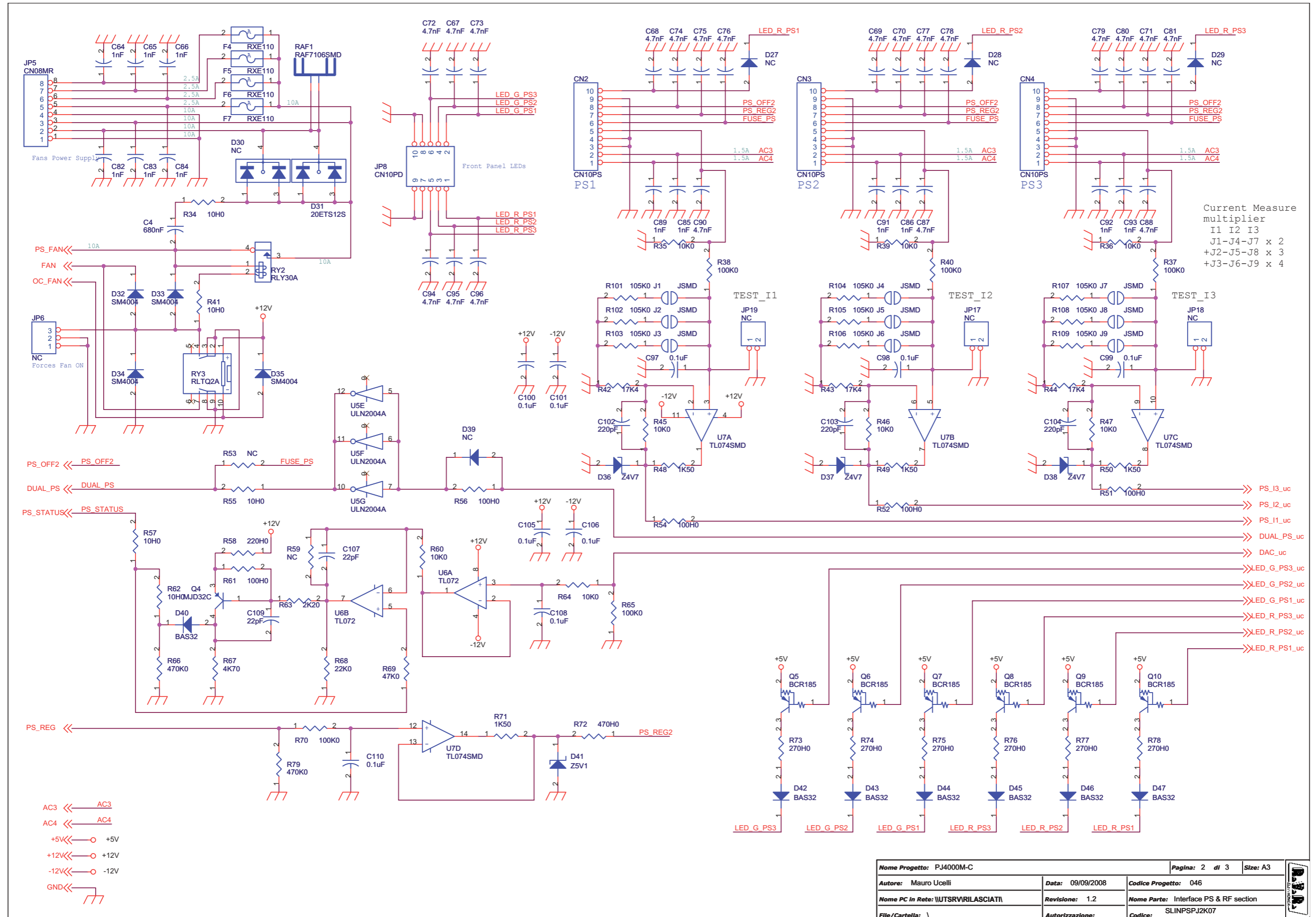
SLFUSRFPJ4K1

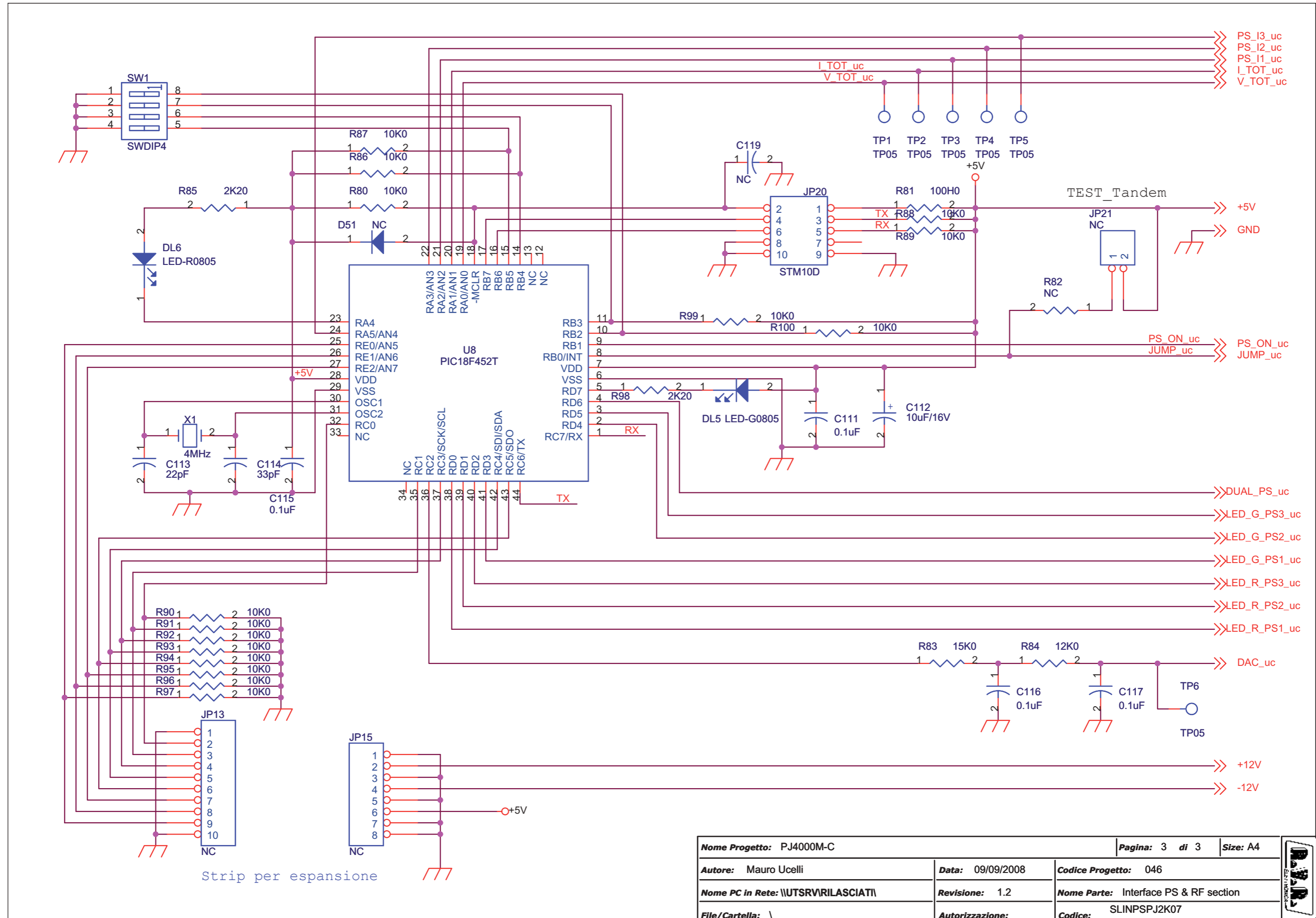
Fuse board RF section
 SLFUSRFPJ4K1
 Revision: 1.1
 046
 PJ4000M-C
 Mauro Ucelli
 17/09/2008

Item	Quantity	Reference	Part	Description	RVR Code
1	2	C2,C1	4n7_50V	Condensatore 4n7 100V	CKM472KC600P
2	2	DZ2,DZ1	9V1_1W	Diodo Zener 9V1 1W	DIZ9V11W
3	2	FIX1,FIX2	FIX35	Non è un componente	
4	6	FIX3,FIX4,FIX5,FIX6,FIX8, FIX9	FIX40	Non è un componente	
5	8	FS1,FS2,FS3,FS4,FS5,FS6,FS7,FS8	16A_S	Fusibile 16A con fissaggio su colonette	FUSGSAEXPR15
6	8	PD1,PD2,PD4,PD5,PD7,PD8, PD10,PD11	PAD_10A	Non è un componente	
7	8	PD3,PD6,PD9,PD12,PD13, PD14,PD15,PD16	PAD_1A	Non è un componente	
8	4	R1,R3,R5,R7	22R_2W	Resistenza 22 Ohm 2W	RSM002J0022H
9	4	R2,R4,R6,R8	10k_1/2W	Resistenza 10k 1/2W	RSC1/2JK0010
10	1	CS1	CSFUSRFPJ2K2	Circuito stampato	CSFUSRFPJ2K2
11	1	C5	470uF 63V	; Condensatore elettrol. 470uF 63V	

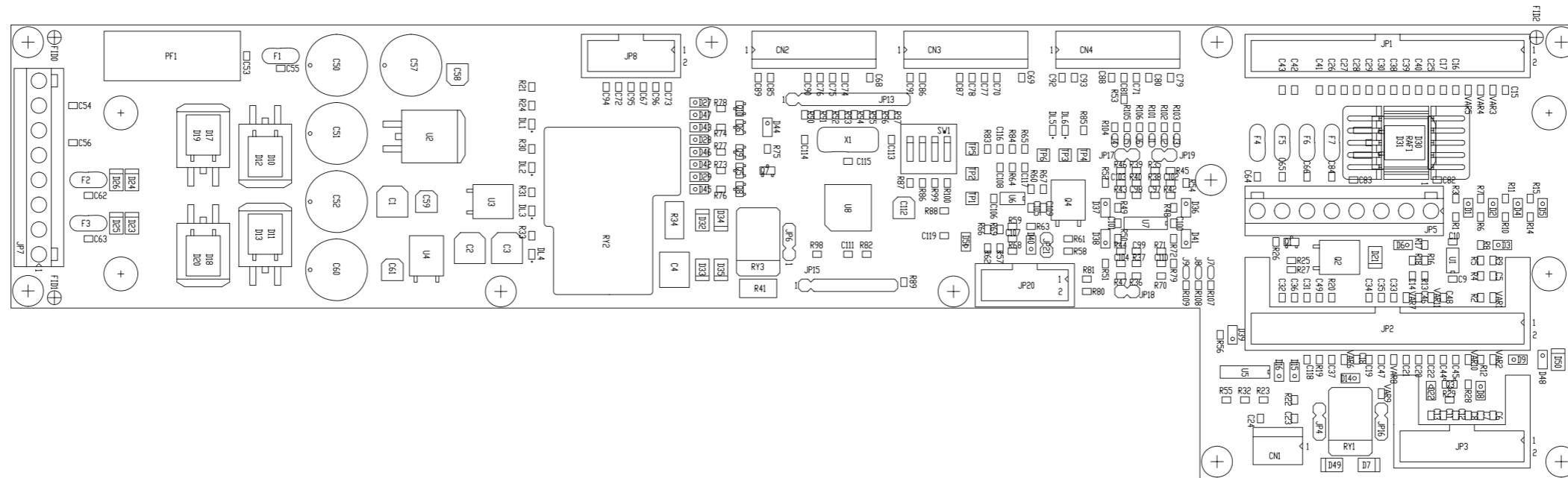


Nome Progetto: PJ4000M-C		Pagina: 1 di 3		Size: A3
Autore: Mauro Ucelli	Data: 09/09/2008	Codice Progetto: 046		
Nome PC in Rete: \UTSRV\RILASCIATI		Revisione: 1.2	Nome Parte: Interface PS & RF section	
File/ Cartella: \	Autorizzazione:	Codice: SLINPSPJ2K07		





Nome Progetto: PJ4000M-C		Pagina: 3 di 3	Size: A4
Autore: Mauro Ucelli	Data: 09/09/2008	Codice Progetto: 046	
Nome PC in Rete: \\UTSRV\RILASCIATI\	Revisione: 1.2	Nome Parte: Interface PS & RF section	
File/Cartella: \	Autorizzazione:	Codice: SLINPSPJ2K07	

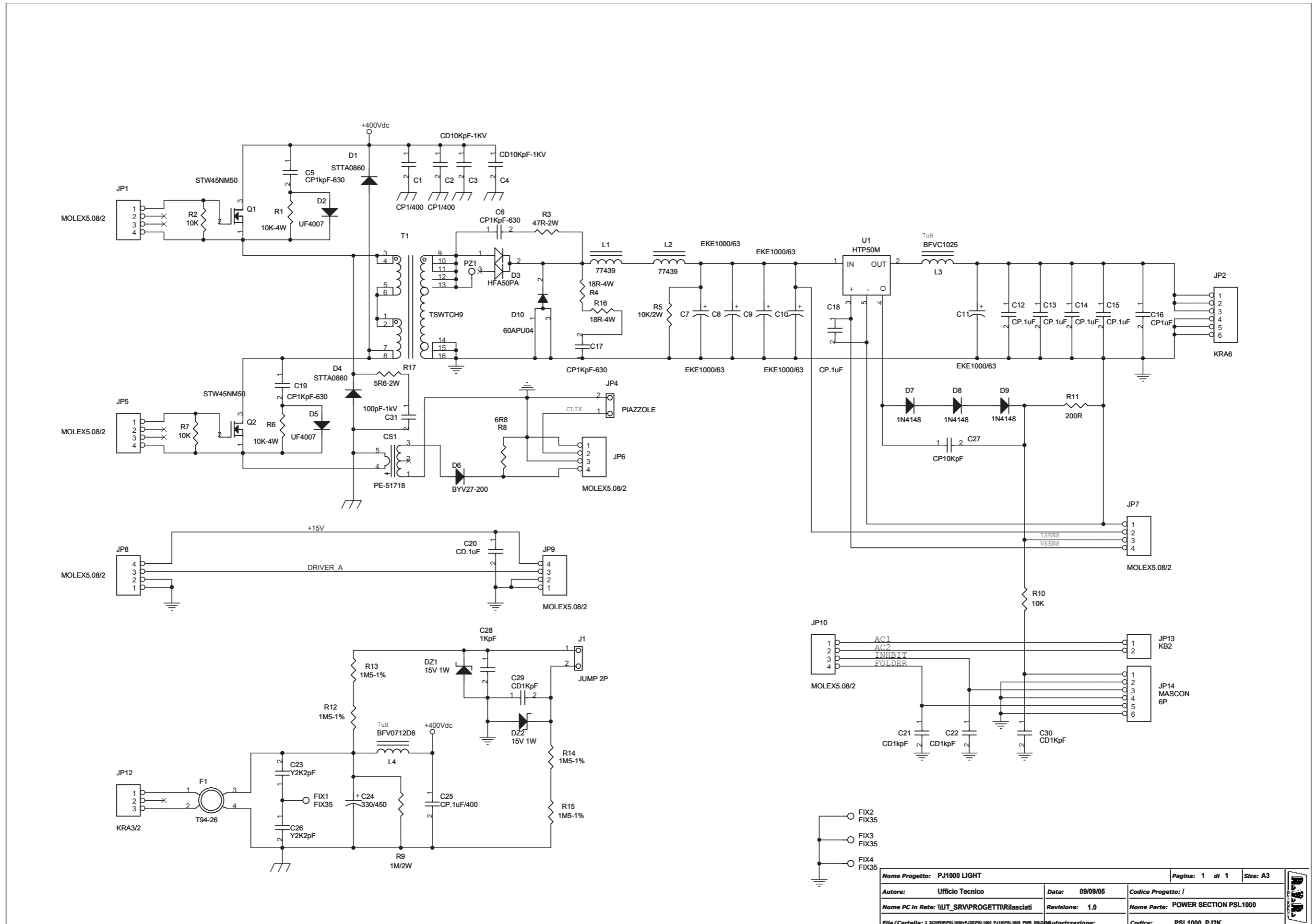


	NOME PROGETTO: PJ4000M-C	NOME PARTE: SCHEDA INTERFACCIA PS-RF
	AUTORE: M. UCCELLI	DATA: 15/05/2007 REVISIONE: 1.0 SCALA: 1:1 SIZE: A3 PAGINA: 1 DI 1
ARCHIVIAZIONE ELETTRONICA: "CARTELLA RILASCIATI" SU "UTSRV"	CODICE PROGETTO: 046	CODICE DISEGNO: SLINPSPJ2K07
MATERIALE: <>	TRATTAMENTO: <>	PROFILO: <>
		STATO: ESECUTIVO

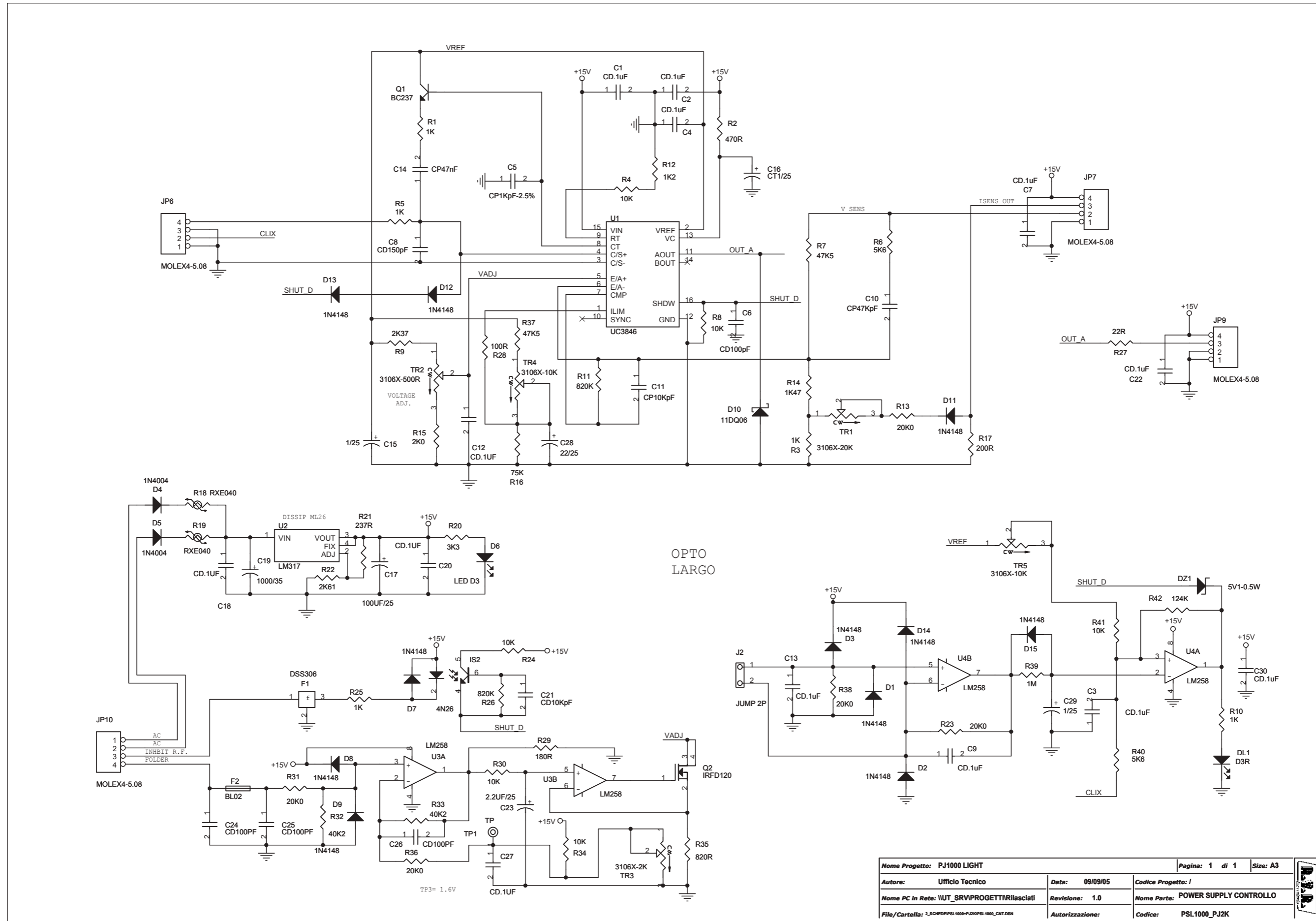
Interface PS & RF section Revised: 09/09/2008
SLINPSPJ2K07 Revision: 1.2
PJ4000M-C
046
Mauro Ucelli
09/09/08

Item	Quantity	Reference	Part	Description
1	1	CN1	CN02PS	Connettore 2 poli Mascon p 2.5mm
2	3	CN2,CN3,CN4	CN10PS	Connettore 10 poli Mascon
3	1	CS1	CSINPSPJ2K07	Circuito stampato
4	3	C1,C2,C3	100uF/25V	Cond. Elett. SMD d. 6.3mm
5	1	C4	680nF	Cond. SMD 2824
6	56	C5,C8,C11,C12,C13,C14, C15,C16,C17,C20,C21,C22, C23,C25,C26,C27,C28,C29, C30,C33,C34,C35,C36,C37, C38,C39,C40,C41,C44,C45, C46,C47,C48,C49,C67,C68, C69,C70,C71,C72,C73,C74, C75,C76,C77,C78,C79,C80, C81,C87,C88,C90,C94,C95, C96,C118	4.7nF	Cond. SMD 0805
7	4	C6,C7,C18,C19	100pF	Cond. SMD 0805 COG
8	15	C9,C10,C97,C98,C99,C100, C101,C105,C106,C108,C110, C111,C115,C116,C117	0.1uF	Cond. SMD 0805
9	2	C24,C119	NC	Cond. SMD 0805
10	22	C31,C32,C42,C43,C53,C54, C55,C56,C62,C63,C64,C65, C66,C82,C83,C84,C85,C86, C89,C91,C92,C93	1nF	Cond. SMD 0805 COG
11	5	C50,C51,C52,C57,C60	1000uF/35V	Cond. Elettr. Dia 13 P5.08
12	3	C58,C59,C61	1uF/50V	Cond. Elett. SMD d. 4mm
13	3	C102,C103,C104	220pF	Cond. SMD 0805 COG
14	3	C107,C109,C113	22pF	Cond. SMD 0805 COG
15	1	C112	10uF/16V	Cond. Elett. SMD d. 4mm
16	1	C114	33pF	Cond. SMD 0805 COG
17	5	DL1,DL2,DL3,DL4,DL5	LED-G0805	LED SMD 0805
18	1	DL6	LED-R0805	LED SMD 0805
19	5	D1,D2,D4,D5,D41	Z5V1	MINIMELF SMD Zener Diode
20	8	D3,D6,D15,D16,D22,D36, D37,D38	Z4V7	MINIMELF SMD Zener Diode
21	11	D7,D21,D23,D24,D25,D26, D32,D33,D34,D35,D49	SM4004	Diodo SMD cont. SMA
22	11	D8,D9,D14,D40,D42,D43, D44,D45,D46,D47,D48	BAS32	MINIMELF SMD Diode
23	5	D10,D11,D17,D18,D30	NC	Doppio diodo shottky SMD
24	5	D12,D13,D19,D20,D31	20ETS12S	Doppio diodo shottky DMS D2PAK
25	5	D27,D28,D29,D39,D51	NC	MINIMELF SMD Diode
26	1	D50	NC	Diodo SMD cont. SMA
27	10	FIX1,FIX2,FIX3,FIX4,FIX5, FIX6,FIX7,FIX8,FIX9, FIX10	FIX35	Foro fissaggio 3.5mm
28	5	F1,F4,F5,F6,F7	RXE110	Fusibile autorip. RXE p5mm
28A	2	F2,F3	RXE300	Fusibile autorip. RXE p5mm
29	1	F8	12.5A	Fusibile rapido 5x20mm
30	2	JP1,JP2	CN40PD	Conn. flat 40 poli
31	1	JP3	CN16PD	Connettore 16 poli Flat cs
32	2	JP4,JP16	STM03S	Strip maschio 3 pin

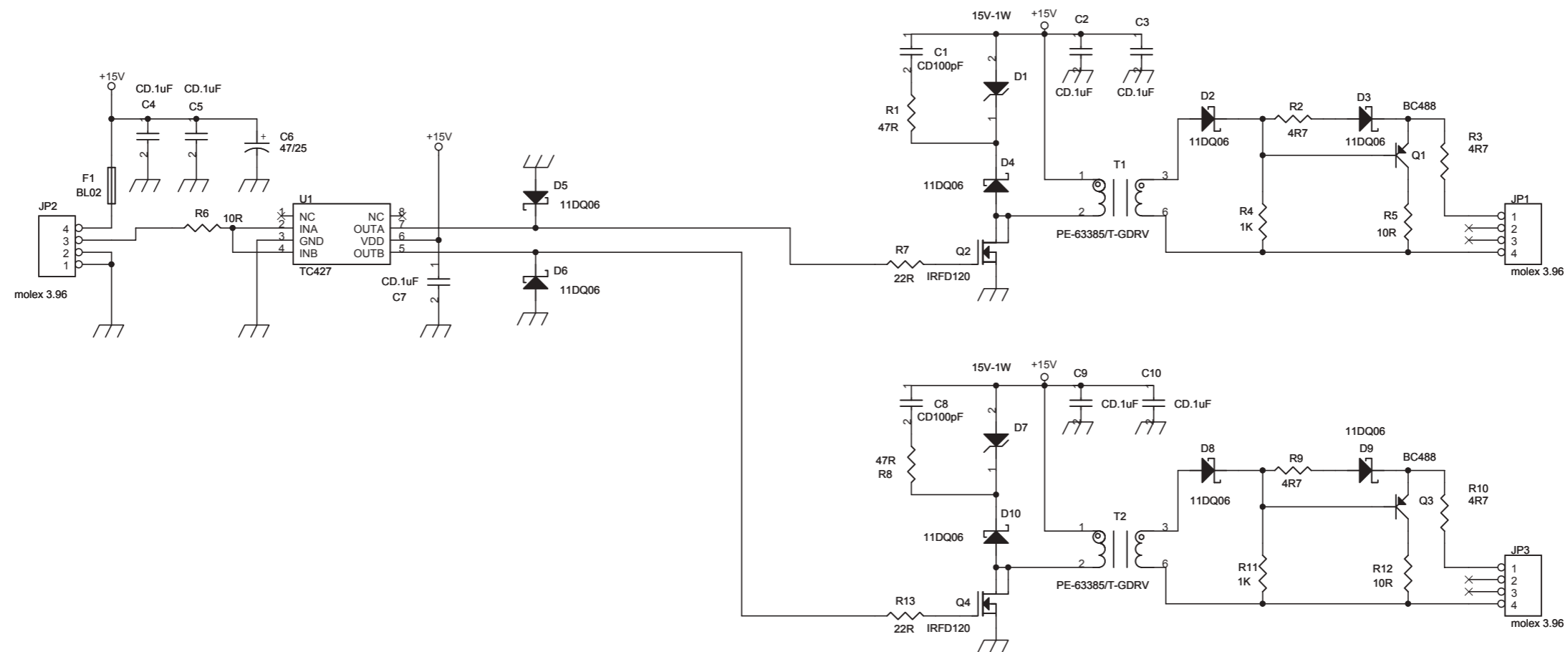
33	2	JP5,JP7	CN08MR	Conn. Phoenix p. 5mm 8 pin
34	1	JP6	NC	Strip maschio 3 pin
35	1	JP8	CN10PD	Connettore 10 poli Flat cs
36	1	JP13	NC	Strip femmina 10 pin
37	1	JP15	NC	Strip femmina 8 pin
38	4	JP17,JP18,JP19,JP21	NC	Strip maschio 2 pin
39	1	JP20	STM10D	Connettore 10 poli Flat cs
40	2	JUM1,JUM2	JUM	Ponticello jumper
41	9	J1,J2,J3,J4,J5,J6,J7,J8, J9	JSMD	Pad SMD a saldare
42	1	PF1	PFS520	Portafusibile 5x20 10A
43	1	Q1	BC857	Trans. PNP SOT23
44	2	Q2,Q4	MJD32C	Trans. PNP DPAK
45	1	Q3	BC847	Trans. NPN SOT23
46	6	Q5,Q6,Q7,Q8,Q9,Q10	BCR185	Trans./Res. PNP SOT23
47	4	RAF1,RAF2,RAF3,RAF4	RAF7106SMD	Dissipatore SMD Mod. 7106
48	2	RY1,RY3	RLTQ2A	Rele' TQ2
49	1	RY2	RLY30A	Rele' 30A NO
50	28	R1,R6,R14,R19,R28,R35, R36,R39,R45,R46,R47,R60, R64,R80,R86,R87,R88,R89, R90,R91,R92,R93,R94,R95, R96,R97,R99,R100	10K0	Res. SMD 0805
51	2	R2,R12	220K0	Res. SMD 0805
52	6	R3,R11,R15,R53,R59,R82	NC	Res. SMD 0805
53	3	R4,R13,R68	22K0	Res. SMD 0805
54	11	R5,R16,R21,R24,R29,R30, R33,R48,R49,R50,R71	1K50	Res. SMD 0805
55	4	R7,R22,R32,R67	4K70	Res. SMD 0805
56	4	R8,R10,R17,R26	1K0	Res. SMD 0805
57	8	R9,R18,R51,R52,R54,R56, R61,R81	100H0	Res. SMD 0805
58	9	R20,R27,R31,R73,R74,R75, R76,R77,R78	270H0	Res. SMD 0805
59	4	R23,R63,R85,R98	2K20	Res. SMD 0805
60	1	R25	47H0	Res. SMD 0805
61	2	R34,R41	10H0	Res. SMD 2512 5%
62	5	R37,R38,R40,R65,R70	100K0	Res. SMD 0805
63	3	R42,R43,R44	17K4	Res. SMD 0805
64	3	R55,R57,R62	10H0	Res. SMD 0805
65	1	R58	220H0	Res. SMD 0805
66	2	R66,R79	470K0	Res. SMD 0805
67	1	R69	47K0	Res. SMD 0805
68	1	R72	470H0	Res. SMD 0805
69	1	R83	15K0	Res. SMD 0805
70	1	R84	12K0	Res. SMD 0805
71	9	R101,R102,R103,R104,R105, R106,R107,R108,R109	105K0	Res. SMD 0805
72	1	SW1	SWDIP4	Dip switch 4 vie
73	6	TP1,TP2,TP3,TP4,TP5,TP6	NC	Test point
74	2	U1,U6	TL072	Dual Op. SMD SO8
75	1	U2	LM7812	Stabilizzatore SMD D2PAK
76	1	U3	LM78M05	Stabilizzatore SMD DPAK
77	1	U4	LM79M12	Stabilizzatore SMD DPAK
78	1	U5	ULN2004A	Seven Inv. Buffer OC
79	1	U7	TL074SMD	Quad Op. SMD SO14
80	1	U8	PIC18F452T	TQFP44 SMD Microprocessor
81	11	VAR1,VAR2,VAR3,VAR4,VAR5, VAR6,VAR7,VAR8,VAR9, VAR10,VAR11	V18MLE0805	ESD SMD protector
82	1	X1	4MHz	Quarzo SMD HC49SMD



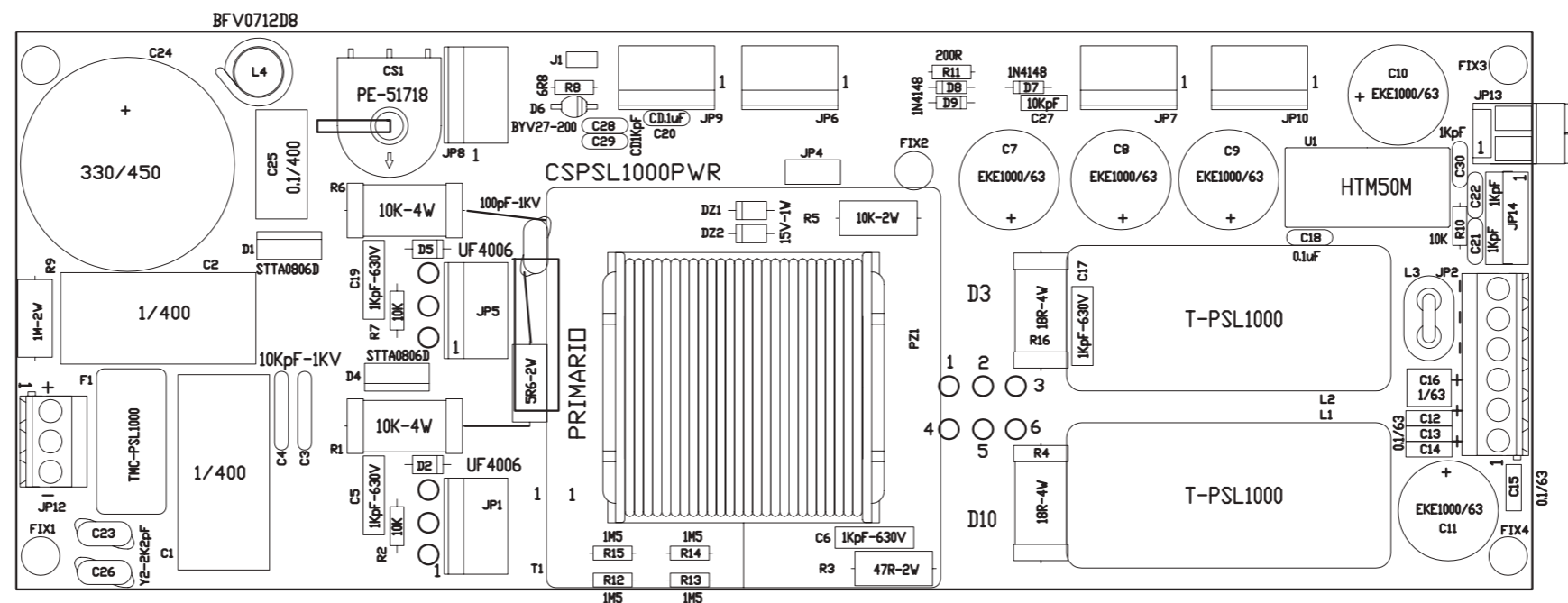
Nome Progetto: PJ1000 LIGHT		Pagina: 1 di 1	Size: A3
Autore: Ufficio Tecnico	Data: 09/09/05	Codice Progetto: I	
Nome PC in Rete: \\\JT_SRV\PROGETTI\Rilasciati	Revisione: 1.0	Nome Parte: POWER SECTION PSL1000	
File/Cartella: 2_SCHEDI\PSL1000\PJ2K\PSL1000_PJ1K\PSL1000_PWR_SMD	Autorizzazione:	Codice: PSL1000_PJ2K	



Nome Progetto: PJ1000 LIGHT		Pagina: 1 di 1		Size: A3
Autore: Ufficio Tecnico	Data: 09/09/05	Codice Progetto: I		
Nome PC in Rete: \\UT_SRV\PROGETTI\Rilasciati	Revisione: 1.0	Nome Parte: POWER SUPPLY CONTROLLO		
File/Cartella: 2_SCH\DEPSL1000-PJ2K\PSL1000_CHT.DSN	Autorizzazione:	Codice: PSL1000_PJ2K		

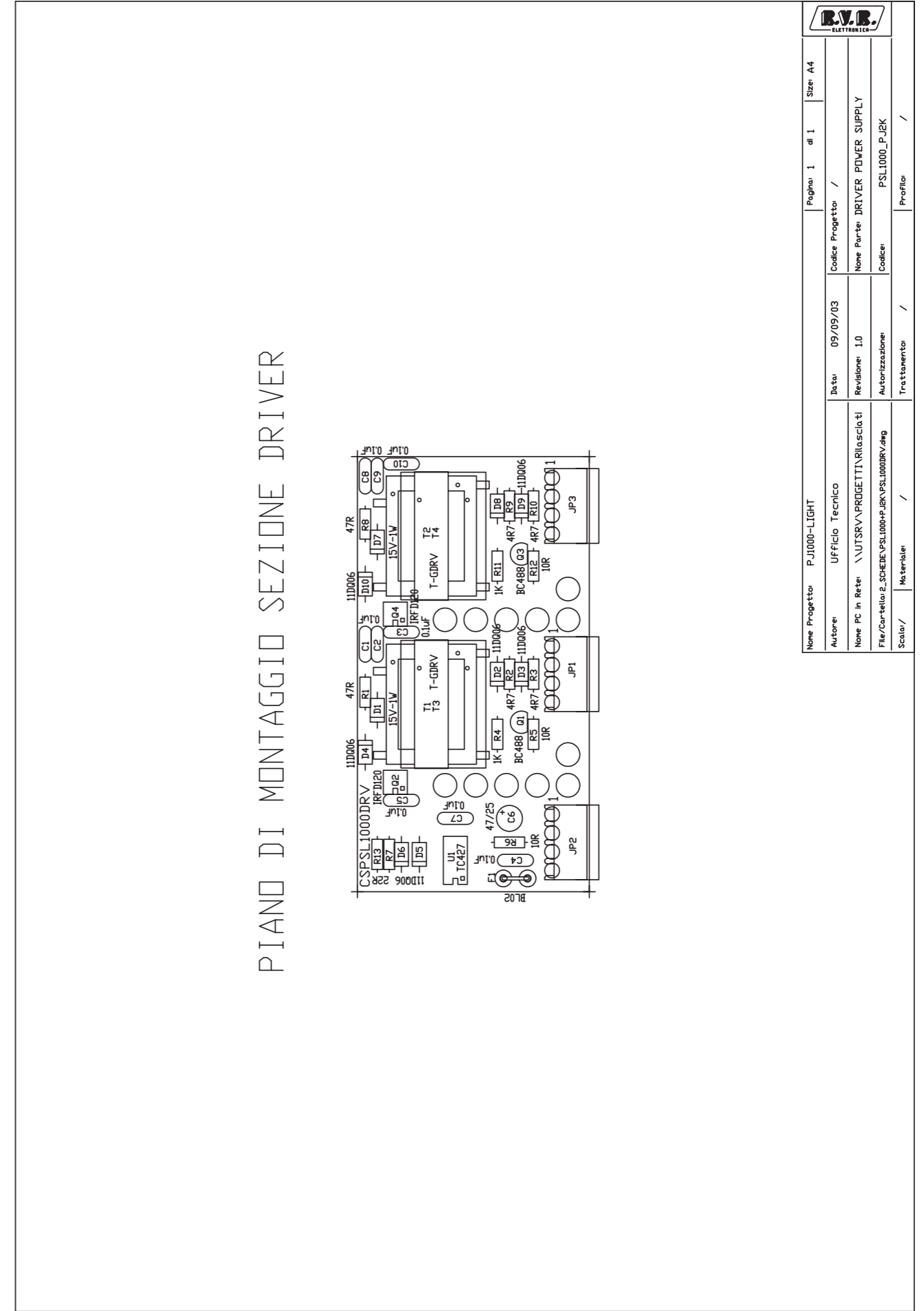
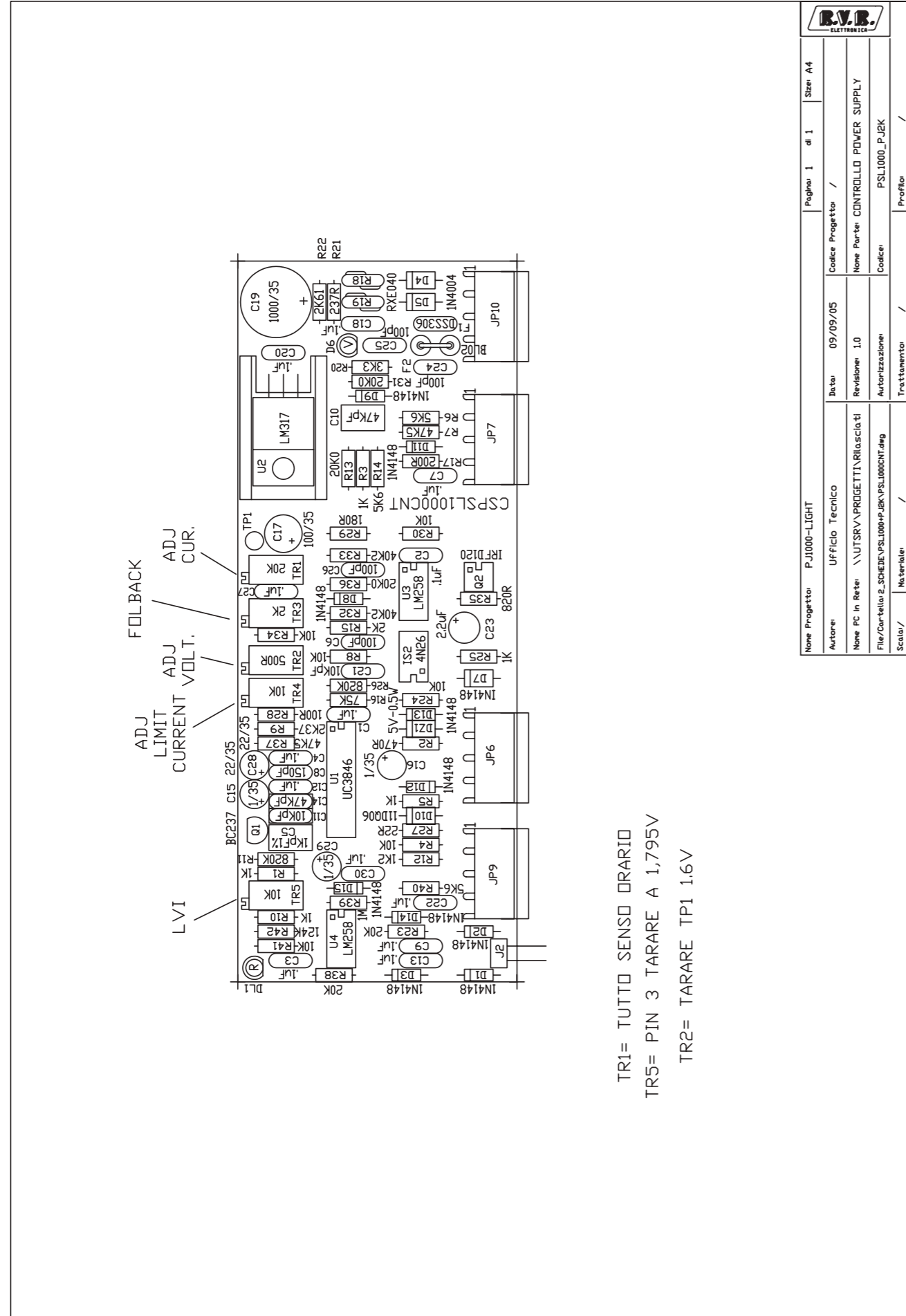


Nome Progetto: PJ1000 LIGHT		Pagina: 1 di 1	Size: A3
Autore: Ufficio Tecnico	Data: 09/09/05	Codice Progetto: I	
Nome PC in Rete: \WUT_SRV\PROGETTI\Rilasciati	Revisione: 1.0	Nome Parte: DRIVER PSL1000	
File/Cartella: 2_SCHIEVE\PSL1000\PJ2K\PSL1000_DRV.DSN	Autorizzazione:	Codice: PSL1000_PJ2K	



Nome Progetto: PJ1000 LIGHT		Pagina: 1 di 1		Size: A3
Autore: Ufficio Tecnico	Data: 09/09/05	Codice Progetto: /		
Nome PC in Rete: \\UTSRV\PROGETTI\Rilasciati	Revisione: 1.0	Nome Parte: POWER SECTION PSL1000		
File/Cartella: 2_SCHEDE\PSL1000+PJ2K\PSL1000MNT_SM.dwg	Autorizzazione:	Codice: PSL1000_PJ2K		
Scala: /	Materiale: /	Trattamento: /	Profilo: /	





PSL1000/PJ2K

POWER SECTION PSL1000 Revised: 09/09/2005
 PSL1000_PJ2K Revision: 1.0
 PJ1000 LIGHT

Item	Quantity	Reference	Part
1	1	CS1	PE-51718
2	2	C2,C1	CP1/400
3	2	C4,C3	CD10KpF-1KV
4	4	C5,C6,C17,C19	CP1KpF-630
5	5	C7,C8,C9,C10,C11	EKE1000/63
6	5	C12,C13,C14,C15,C18	CP.1uF
7	1	C16	CP1uF
8	1	C20	CD.1uF
9	4	C21,C22,C29,C30	CD1KpF
10	2	C26,C23	Y2K2pF
11	1	C24	330/450
12	1	C25	CP.1uF/400
13	1	C27	CP10KpF
14	1	C28	1KpF
15	1	C31	100pF-1kV
16	2	DZ1,DZ2	15V 1W
17	2	D4,D1	STTA0860
18	2	D5,D2	UF4007
19	1	D3	HFA50PA
20	1	D6	BYV27-200
21	3	D7,D8,D9	1N4148
22	1	D10	60APU04
23	4	FIX1,FIX2,FIX3,FIX4	FIX35
24	1	F1	T94-26
25	7	JP1,JP5,JP6,JP7,JP8,JP9,JP10	MOLEX5.08/2
26	1	JP2	KRA6
27	1	JP4	PIAZZOLE
28	1	JP12	KRA3/2
29	1	JP13	KB2
30	1	JP14	MASCON
31	1	J1	JUMP 2P
32	2	L1,L2	77439
33	1	L3	BFVC1025
34	1	L4	BFV0712D8
35	1	PZ1	PIAZZOLA
36	2	Q1,Q2	STW45NM50
37	2	R1,R6	10K-4W
38	3	R2,R7,R10	10K
39	1	R3	47R-2W
40	2	R16,R4	18R-4W
41	1	R5	10K/2W
42	1	R8	6R8
43	1	R9	1M/2W
44	1	R11	200R
45	4	R12,R13,R14,R15	1M5-1%
46	1	R17	5R6-2W
47	1	T1	TSWTCH9
48	1	U1	HTP50M

POWER SUPPLY CONTROLLO Revised: 09/09/2005
 PSL1000_PJ2K Revision: 1.0
 PJ1000 LIGHT

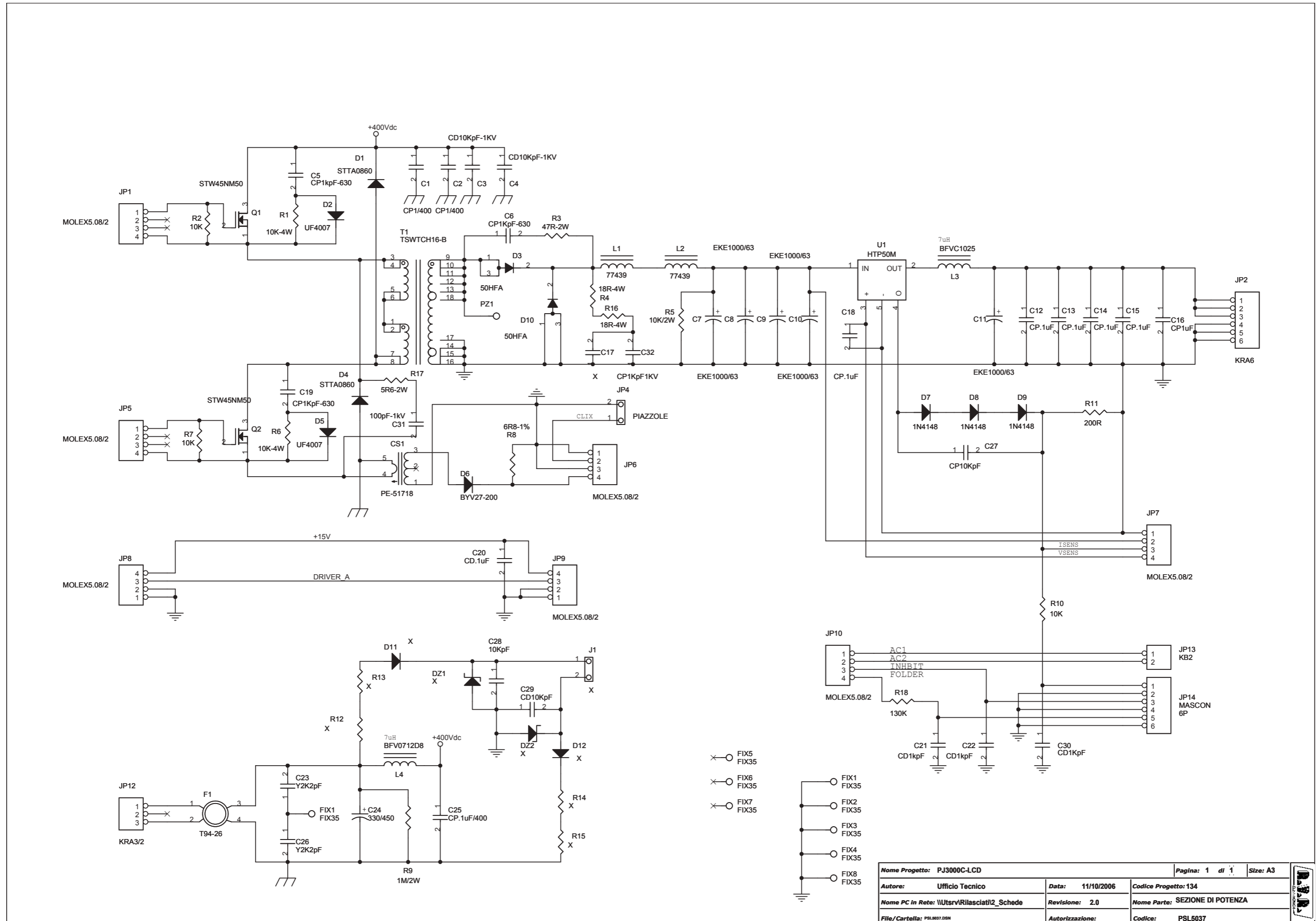
Item	Quantity	Reference	Part
1	13	C1,C2,C3,C4,C7,C9,C12,C13,C18,C20,C22,C27,C30	CD.1UF
2	1	C5	CP1KpF-2.5%
3	4	C6,C24,C25,C26	CD100PF
4	1	C8	CD150pF
5	1	C10	CP47KpF
6	1	C11	CP10KpF
7	1	C14	CP47nF
8	2	C29,C15	1/25
9	1	C16	CT1/25
10	1	C17	100UF/25
11	1	C19	1000/35
12	1	C21	CD10KpF
13	1	C23	2.2UF/25
14	1	C28	22/25
15	1	DL1	D3R
16	1	DZ1	5V1-0.5W
17	11	D1,D2,D3,D7,D8,D9,D11,D12,D13,D14,D15	1N4148
18	2	D5,D4	1N4004
19	1	D6	LED D3
20	1	D10	11DQ06
21	1	F1	DSS306
22	1	F2	BL02
23	1	IS2	4N26
24	4	JP6,JP7,JP9,JP10	MOLEX4-5.08
25	1	J2	JUMP 2P
26	1	Q1	BC237
27	1	Q2	IRFD120
28	5	R1,R3,R5,R10,R25	1K
29	1	R2	470R
30	6	R4,R8,R24,R30,R34,R41	10K
31	2	R6,R40	5K6
32	2	R7,R37	47K5
33	1	R9	2K37
34	2	R26,R11	820K
35	1	R12	1K2
36	5	R13,R23,R31,R36,R38	20K0
37	1	R14	1K47
38	1	R15	2K0
39	1	R16	75K
40	1	R17	200R
41	2	R19,R18	RXE040
42	1	R20	3K3
43	1	R21	237R
44	1	R22	2K61

PSL1000/PJ2K

45	1 R27	22R
46	1 R28	100R
47	1 R29	180R
48	2 R32,R33	40K2
49	1 R35	820R
50	1 R39	1M
51	1 R42	124K
52	1 TP1	TP
53	1 TR1	3106X-20K
54	1 TR2	3106X-500R
55	1 TR3	3106X-2K
56	2 TR5,TR4	3106X-10K
57	1 U1	UC3846
58	1 U2	LM317
59	2 U4,U3	LM258

DRIVER PSL1000 Revised: 09/09/2005
 PSL1000_PJ2K Revision: 1.0
 PJ1000 LIGHT

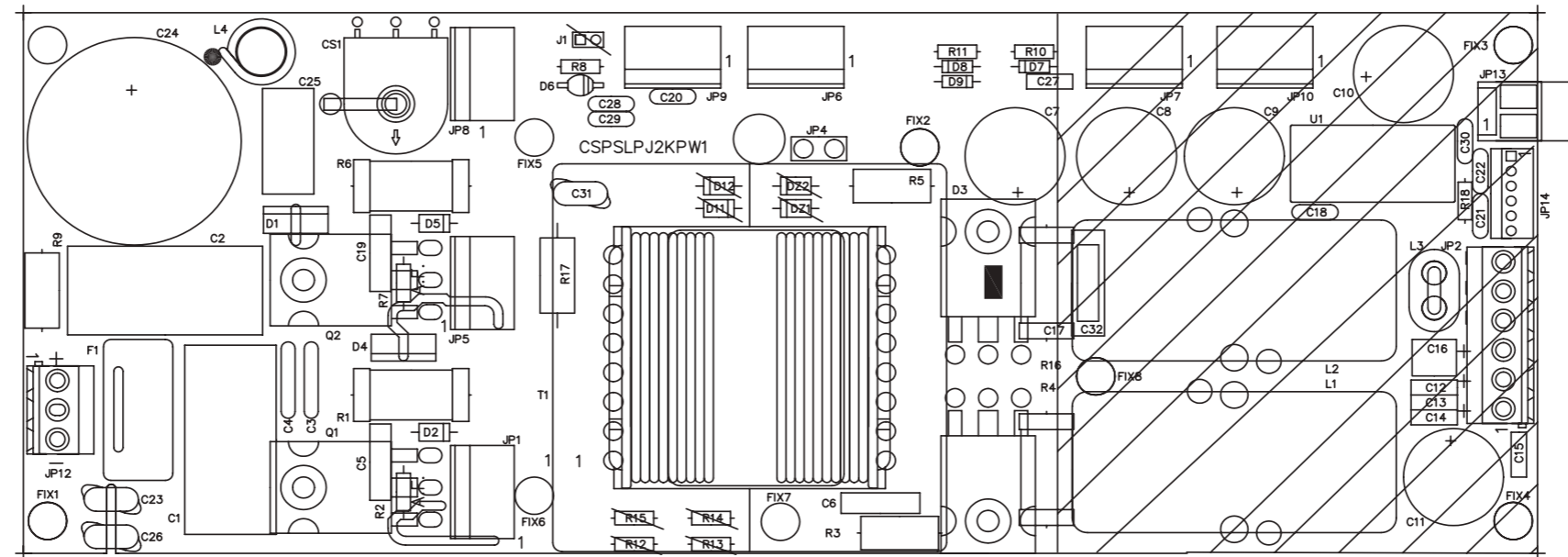
Item	Quantity	Reference	Part
	1	2 C1,C8	CD100pF
	2	7 C2,C3,C4,C5,C7,C9,C10	CD.1uF
	3	1 C6	47/25
	4	2 D7,D1	15V-1W
	5	8 D2,D3,D4,D5,D6,D8,D9,D10	11DQ06
	6	1 F1	BL02
	7	3 JP1,JP2,JP3	molex 3.96
	8	2 Q3,Q1	BC488
	9	2 Q4,Q2	IRFD120
	10	2 R1,R8	47R
	11	4 R2,R3,R9,R10	4R7
	12	2 R4,R11	1K
	13	3 R5,R6,R12	10R
	14	2 R7,R13	22R
	15	2 T1,T2	PE-63385/T-GDRV
	16	1 U1	TC427



- ⊗ FIX5
FIX35
- ⊗ FIX6
FIX35
- ⊗ FIX7
FIX35

- FIX1
FIX35
- FIX2
FIX35
- FIX3
FIX35
- FIX4
FIX35
- FIX8
FIX35

Nome Progetto: PJ3000C-LCD		Pagina: 1 di 1	Size: A3
Autore: Ufficio Tecnico	Data: 11/10/2006	Codice Progetto: 134	
Nome PC in Rete: \\Utsrv\IRilasciati\2_Schede	Revisione: 2.0	Nome Parte: SEZIONE DI POTENZA	
File/Cartella: PSL5037.DSN	Autorizzazione:	Codice: PSL5037	



	NOME PROGETTO: PJ3000M-C	NOME PARTE: PIANO DI MONTAGGIO SEZIONE POWER PJ 3K			
	AUTORE: GRIPTECH	DATA: 11/10/2006	REVISIONE: 2.0	SCALA: 1:1	SIZE: A3
ARCHIVIAZIONE ELETTRONICA: "CARTELLA PROGETTI" SU "UT_SRV"		CODICE PROGETTO: 134	CODICE DISEGNO: PSL5037		
MATERIALE: /	TRATTAMENTO: /	PROFILO: /	STATO: ESECUTIVO		

SEZIONE DI POTENZA Revised: Wednesday, November 15, 2006

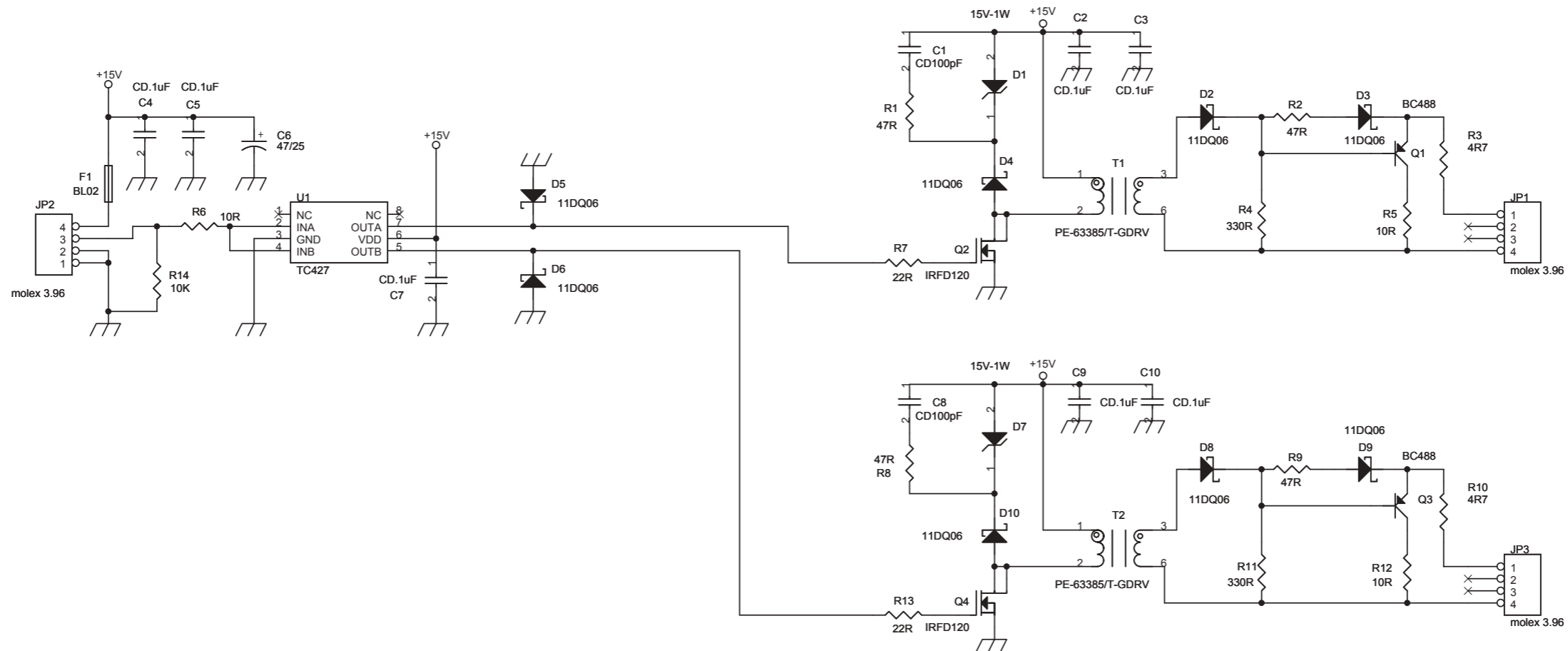
PSL5037 Revision: 2.0

PJ3000C-LCD

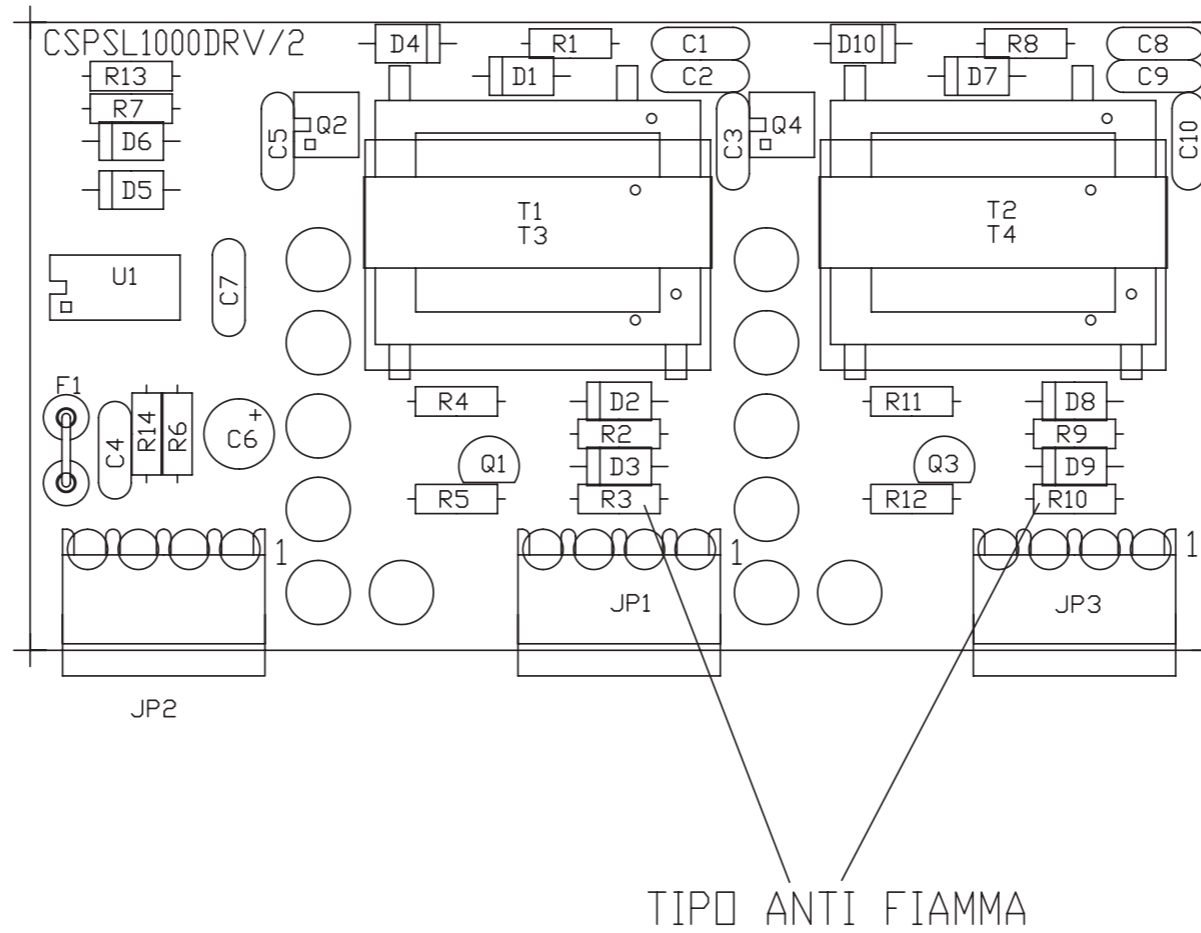
134

Ufficio Tecnico

Item	Quantity	Reference	Part
1	1	CS1	PE-51718
2	2	C1, C2	CP1/400
3	2	C3, C4	CD10KpF-1KV
4	3	C5, C6, C19	CP1KpF-630
5	5	C7, C8, C9, C10, C11	EKE1000/63
6	5	C12, C13, C14, C15, C18	CP.1uF
7	1	C16	CP1uF
8	10	J1, DZ1, DZ2, D11, R12, D12, R13, R14, R15, C17	X
9	1	C20	CD.1uF
10	3	C21, C22, C30	CD1KpF
11	2	C23, C26	Y2K2pF
12	1	C24	330/450
13	1	C25	CP.1uF/400
14	1	C27	CP10KpF
15	1	C28	10KpF
16	1	C29	CD10KpF
17	1	C31	100pF-1kV
18	1	C32	CP1KpF1KV
19	2	D1, D4	STTA0860
20	2	D2, D5	UF4007
21	2	D3, D10	50HFA
22	1	D6	BYV27-200
23	3	D7, D8, D9	1N4148
24	8	FIX1, FIX2, FIX3, FIX4, FIX5, FIX6, FIX7, FIX8	FIX35
25	1	F1	T94-26
26	7	JP1, JP5, JP6, JP7, JP8, JP9, JP10	MOLEX5.08/2
27	1	JP2	KRA6
28	1	JP4	PIAZZOLE
29	1	JP12	KRA3/2
30	1	JP13	KB2
31	1	JP14	MASCON
32	2	L1, L2	77439
33	1	L3	BFVC1025
34	1	L4	BFV0712D8
35	1	PZ1	PIAZZOLA
36	2	Q1, Q2	STW45NM50
37	2	R1, R6	10K-4W
38	3	R2, R7, R10	10K
39	1	R3	47R-2W
40	2	R4, R16	18R-4W
41	1	R5	10K/2W
42	1	R8	6R8-1%
43	1	R9	1M/2W
44	1	R11	200R
45	1	R17	5R6-2W
46	1	R18	130K
47	1	T1	TSWTCH16-B
48	1	U1	HTP50M



Nome Progetto: PJ3000C-LCD		Pagina: 1 di 1	Size: A3
Autore: Ufficio Tecnico	Data: 11/10/2006	Codice Progetto: 134	
Nome PC in Rete: \\Utsrv\Rilasciati2_Schede	Revisione: 1.0	Nome Parte: DRIVER PSL5037	
File/Cartella: PSL5037_DRV.DSN	Autorizzazione:	Codice: PSL5037	



	NOME PROGETTO: PJ3000M-C	NOME PARTE: PIANO DI MONTAGGIO SEZIONE DRIVER			
	AUTORE: GRIPTECH	DATA: 03/09/2005	REVISIONE: 2.0	SCALA: 2:1	SIZE: A3 PAGINA: 1 DI 1
ARCHIVIAZIONE ELETTRONICA: "CARTELLA PROGETTI" SU "UT_SRV"		CODICE PROGETTO: 134	CODICE DISEGNO: PSL5037		
MATERIALE: /	TRATTAMENTO: /	PROFILO: /	STATO: ESECUTIVO		

PSL5037

DRIVER PSL5037 Revised: Wednesday, November 15, 2006

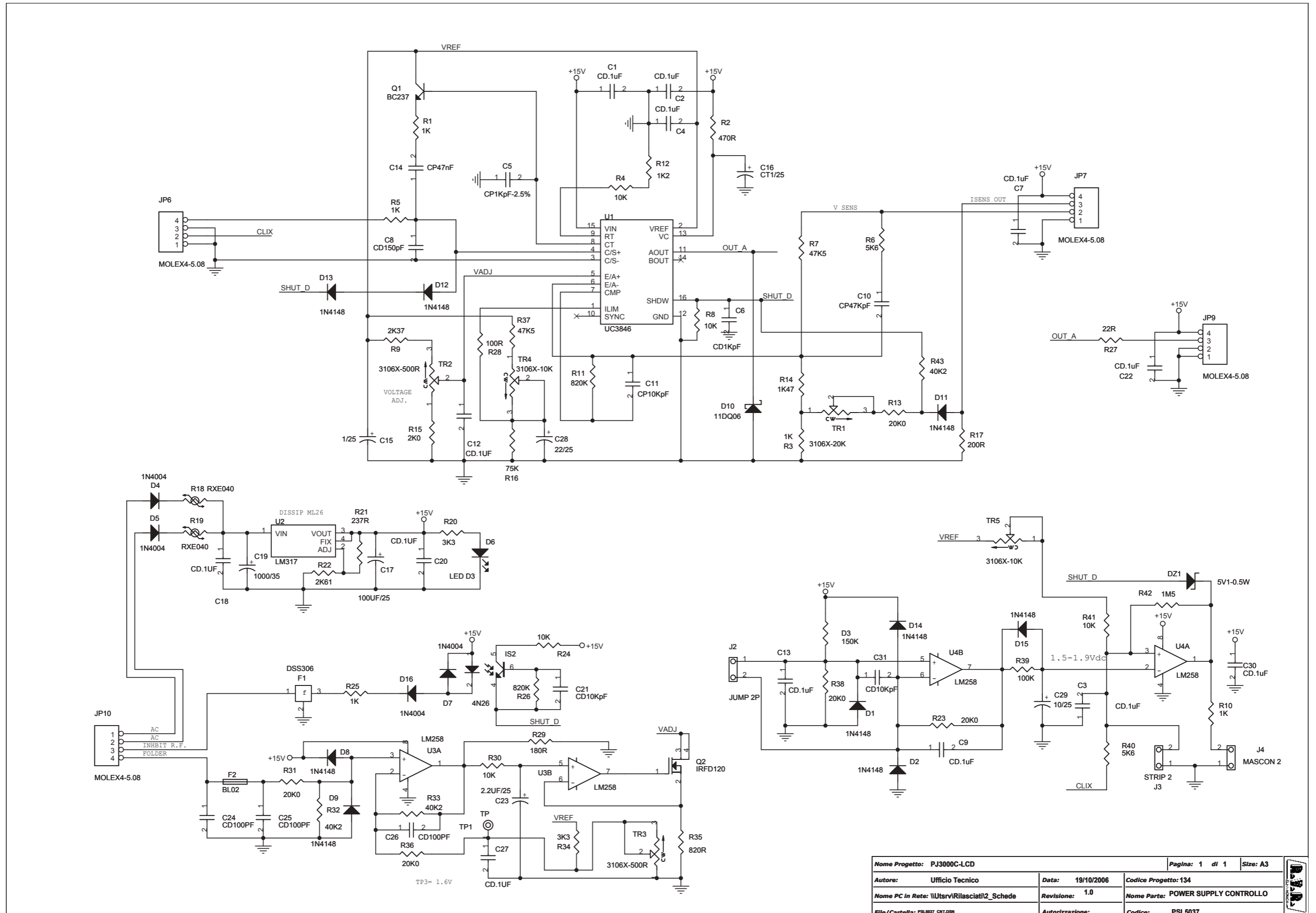
PSL5037 Revision: 1.0

PJ3000C-LCD

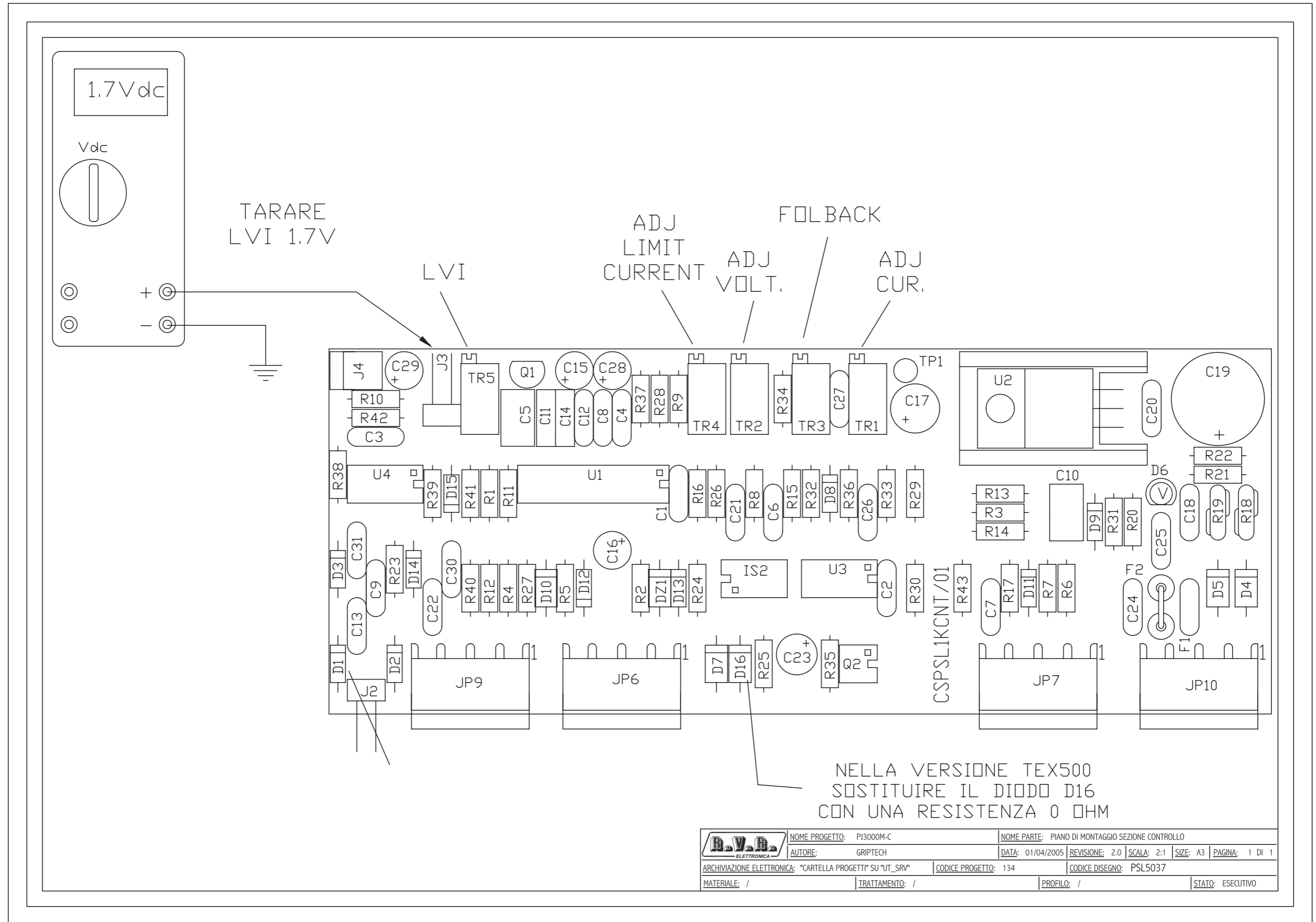
134

Ufficio Tecnico

Item	Quantity	Reference	Part
1	2	C1, C8	CD100pF
2	7	C2, C3, C4, C5, C7, C9, C10	CD.1uF
3	1	C6	47/25
4	2	D1, D7	15V-1W
5	8	D2, D3, D4, D5, D6, D8, D9, D10	11DQ06
6	1	F1	BL02
7	3	JP1, JP2, JP3	molex 3.96
8	2	Q1, Q3	BC488
9	2	Q2, Q4	IRFD120
10	4	R1, R2, R8, R9	47R
11	2	R3, R10	4R7
12	2	R4, R11	330R
13	3	R5, R6, R12	10R
14	2	R7, R13	22R
15	1	R14	10K
16	2	T1, T2	PE-63385/T-GDRV
17	1	U1	TC427



Nome Progetto: PJ3000C-LCD	Pagina: 1 di 1	Size: A3
Autore: Ufficio Tecnico	Data: 19/10/2006	Codice Progetto: 134
Nome PC in Rete: \\Utsrv\Rilasciat\2_Schede	Revisione: 1.0	Nome Parte: POWER SUPPLY CONTROLLO
File/Cartella: PSL5037_CNT.DSN	Autorizzazione:	Codice: PSL5037



POWER SUPPLY CONTROLLO Revised: Wednesday, November 15, 2006

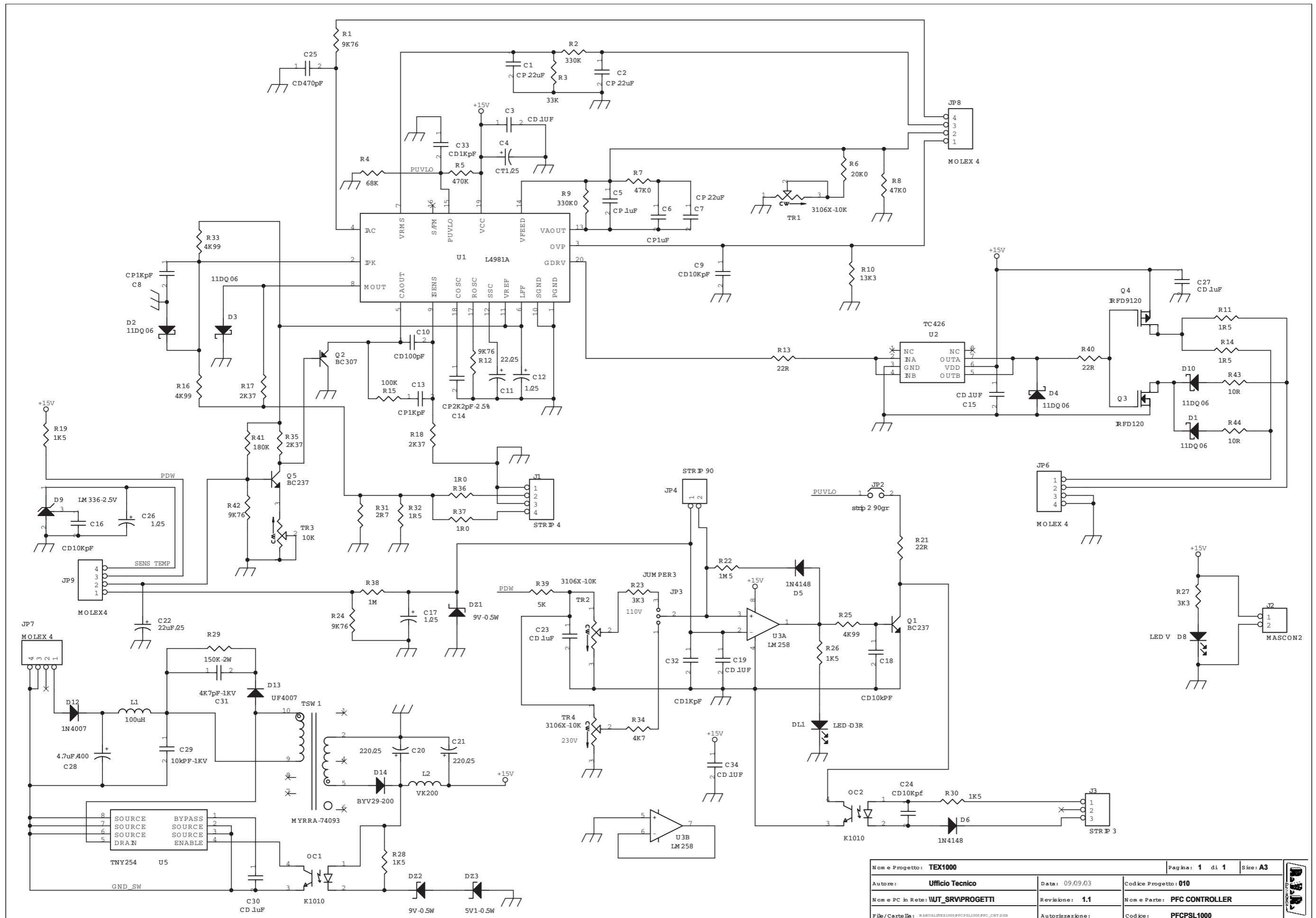
PSL5037 Revision: 1.0

PJ3000C-LCD

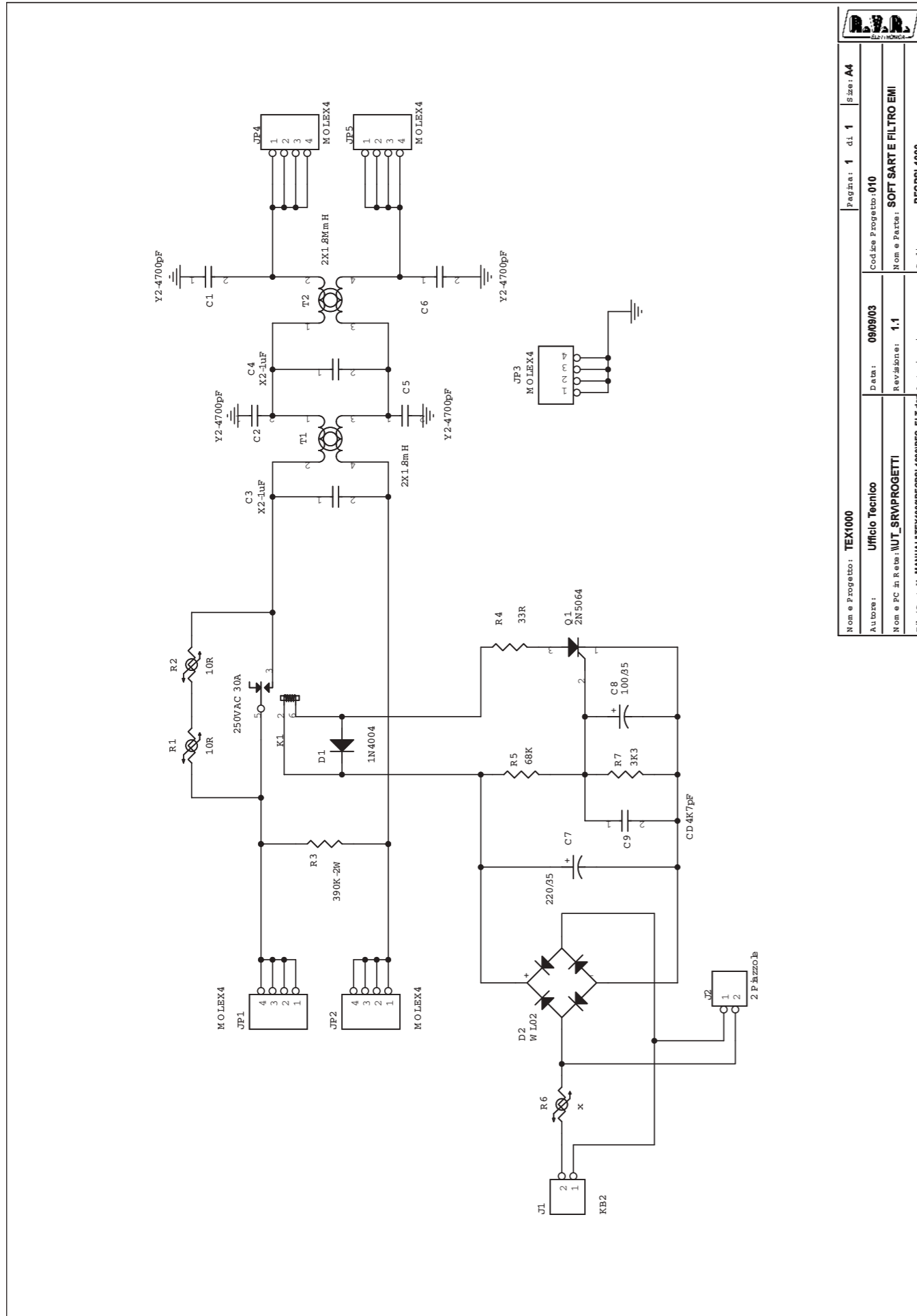
134

Ufficio Tecnico

Item	Quantity	Reference	Part
1	13	C1, C2, C3, C4, C7, C9, C12, C13, C18, C20, C22, C27, C30	CD.1UF
2	1	C5	CP1KpF-2.5%
3	1	C6	CD1KpF
4	1	C8	CD150pF
5	1	C10	CP47KpF
6	1	C11	CP10KpF
7	1	C14	CP47nF
8	1	C15	25-gen
9	1	C16	CT1/25
10	1	C17	100UF/25
11	1	C19	1000/35
12	2	C21, C31	CD10KpF
13	1	C23	2.2UF/25
14	3	C24, C25, C26	CD100PF
15	1	C28	22/25
16	1	C29	25-ott
17	1	DZ1	5V1-0.5W
18	9	D1, D2, D8, D9, D11, D12, D13, D14, D15	1N4148
19	1	D3	150K
20	4	D4, D5, D7, D16	1N4004
21	1	D6	LED D3
22	1	D10	11DQ06
23	1	F1	DSS306
24	1	F2	BL02
25	1	IS2	4N26
26	4	JP6, JP7, JP9, JP10	MOLEX4-5.08
27	1	J2	JUMP 2P
28	1	J3	STRIP 2
29	1	J4	MASCON 2
30	1	Q1	BC237
31	1	Q2	IRFD120
32	5	R1, R3, R5, R10, R25	1K
33	1	R2	470R
34	5	R4, R8, R24, R30, R41	10K
35	2	R6, R40	5K6
36	2	R7, R37	47K5
37	1	R9	2K37
38	2	R11, R26	820K
39	1	R12	1K2
40	5	R13, R23, R31, R36, R38	20K0
41	1	R14	1K47
42	1	R15	2K0
43	1	R16	75K
44	1	R17	200R
45	2	R18, R19	RXE040
46	2	R20, R34	3K3
47	1	R21	237R
48	1	R22	2K61
49	1	R27	22R
50	1	R28	100R
51	1	R29	180R
52	3	R32, R33, R43	40K2
53	1	R35	820R
54	1	R39	100K
55	1	R42	1M5
56	1	TP1	TP
57	1	TR1	3106X-20K
58	2	TR2, TR3	3106X-500R
59	2	TR4, TR5	3106X-10K
60	1	U1	UC3846
61	1	U2	LM317
62	2	U3, U4	LM258

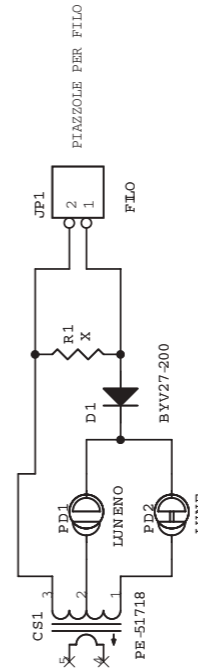


Nome Progetto: TEX1000		Pagina: 1 di 1	Size: A3
Autore: Ufficio Tecnico		Data: 09/09/03	Codice Progetto: 010
Nome PC in Rete: WUT_SRVPROGETTI		Revisione: 1.1	Nome Parte: PFC CONTROLLER
File/Cartella: MANUAL/TEX1000/PFCPSL1000/PFC_CWT.DSN		Autorizzazione:	Codice: PFCPSL1000

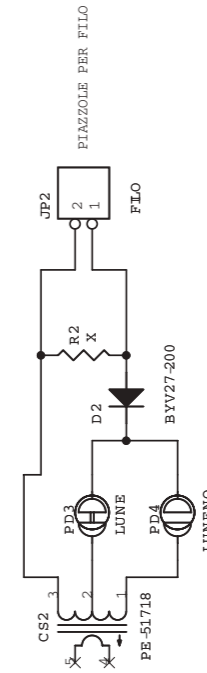


Nome Progetto: TEX1000	Pagina: 1 di 1 Size: A4
Autore: Ufficio Tecnico	Data: 09/09/03
Nome e PC in Rev: UT_SRVPROGETTI	Codice Progetto: 010
File/Cartella: MANUALI\TEX1000\PFCPSL1000\PFC_FLT.dwg	Nome e Parte: SOFT SART E FILTRO EMI
	Revisione: 1.1
	Autore/Revisione: PFCPSL1000

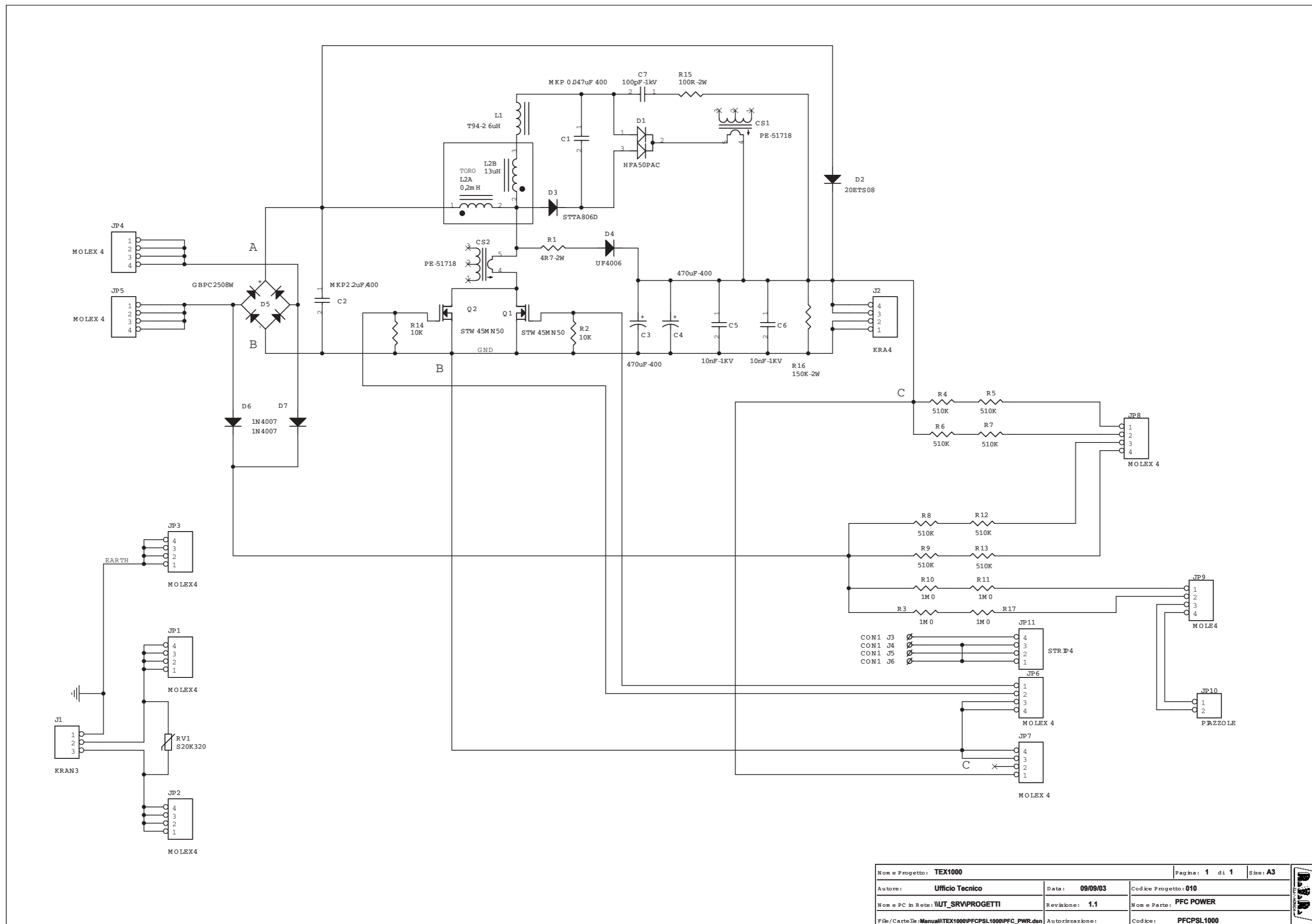
DIODO



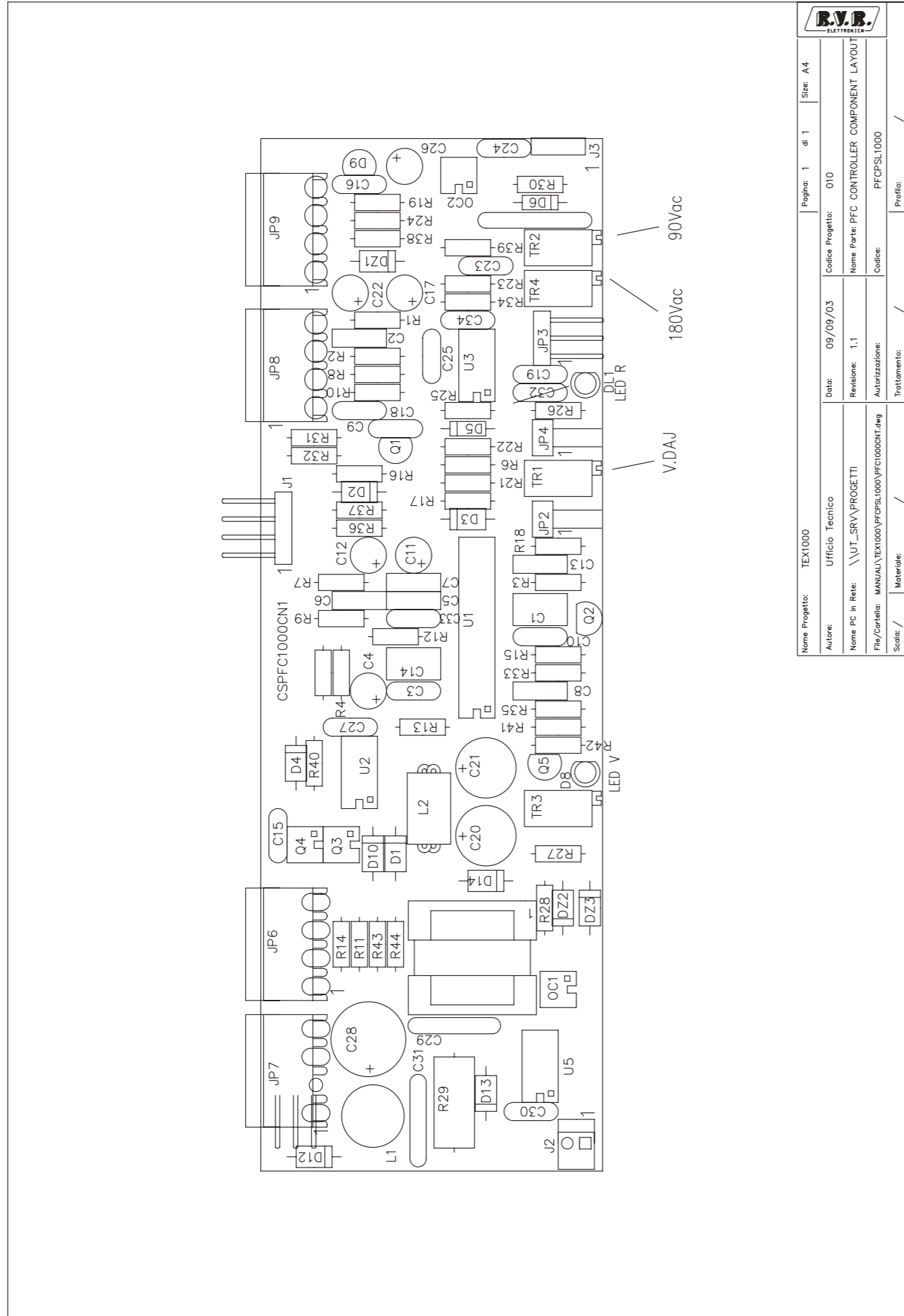
MOSFET



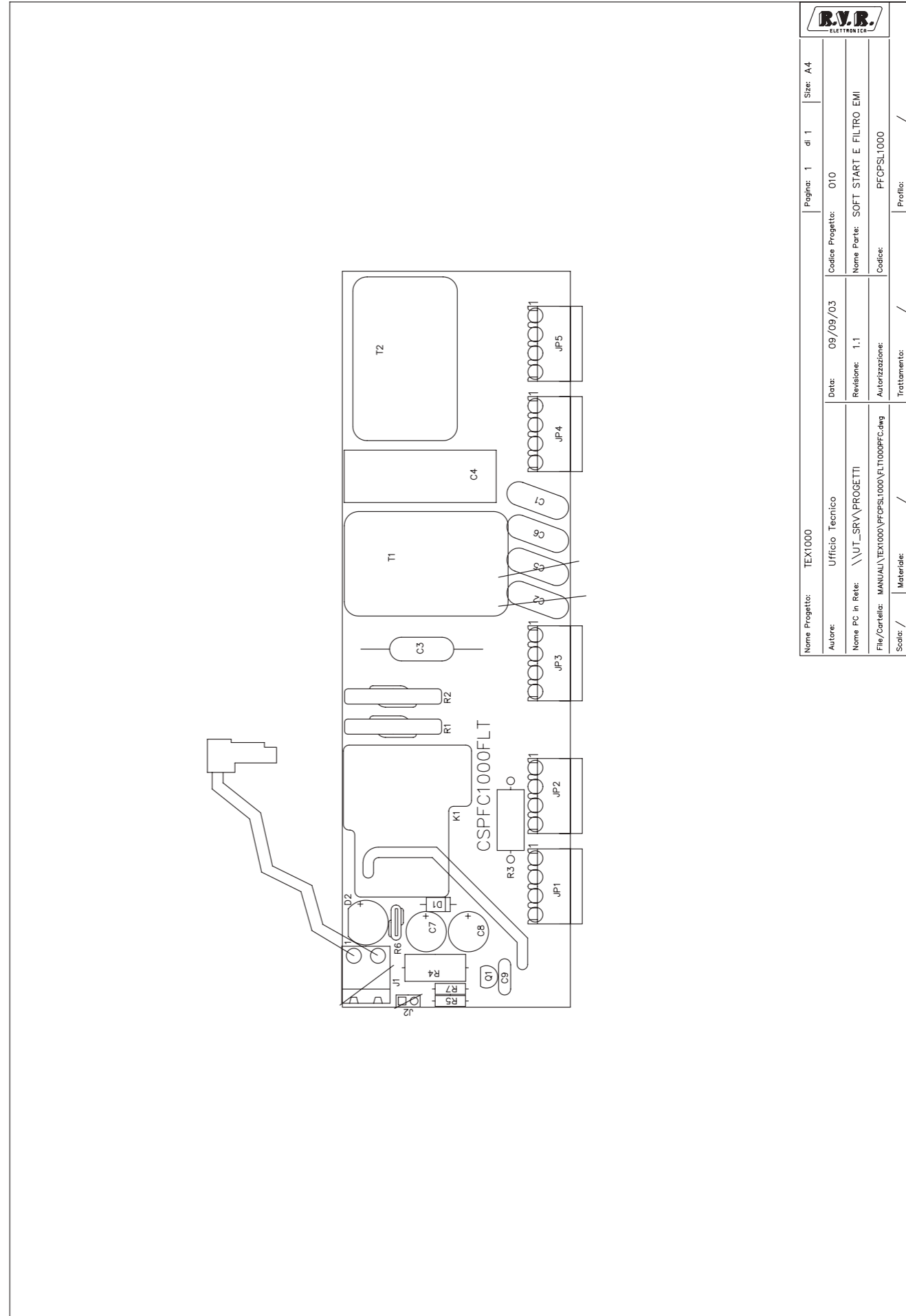
Nome Progetto: TEX1000	Pagina: 1 di 1 Size: A4
Autore: Ufficio Tecnico	Data: 09/09/03
Nome e PC in Rev: UT_SRVPROGETTI	Codice Progetto: 010
File/Cartella: MANUALI\TEX1000\PFCPSL1000\PFC_TC2.dwg	Nome e Parte: SENSORE DI CORRENTE PER PFC
	Revisione: 1.1
	Autore/Revisione: PFCPSL1000



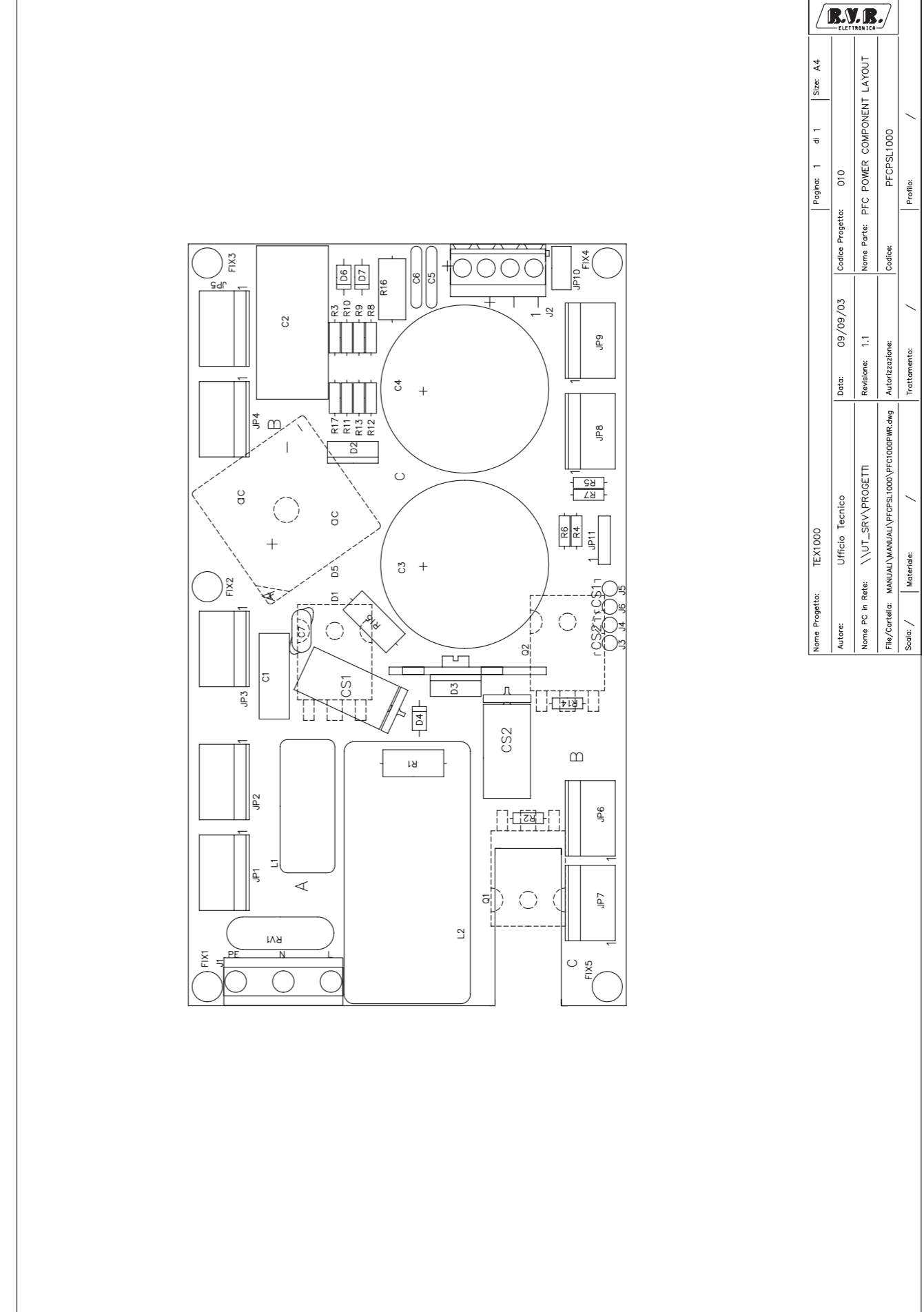
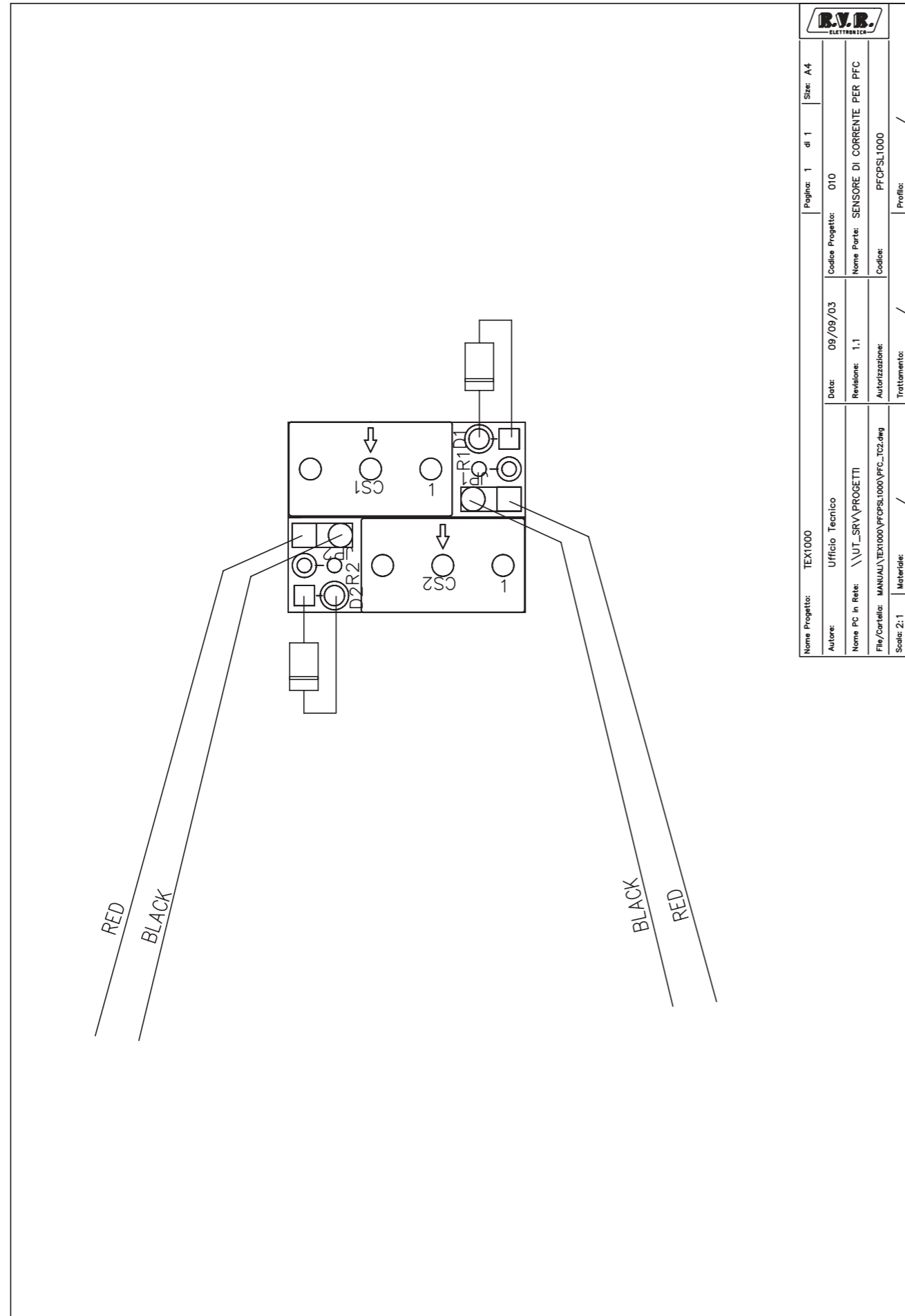
Nome Progetto: TEX1000		Pagina: 1 di 1		Size: A3
Autore: Ufficio Tecnico	Data: 09/09/03	Codice Progetto: 010		
Nome PC in Rete: \\UT_SRV\PROGETTI	Revisione: 1.1	Nome Parte: PFC POWER		
File/Cartella: Manual\TEX1000\PFCPSL1000\PFC_PWR.dsn	Autore: ...	Codice: PFCPSL1000		



		Pagina: 1 di 1 Size: A4	
Nome Progetto: TEX1000	Ufficio Tecnico	Data: 09/09/03	Codice Progetto: 010
Autore:	\\UT_SRV\PROGETTI	Revisione: 1.1	Nome Parte: PFC CONTROLLER COMPONENT LAYOUT
Nome PC in Rete:	\\UT_SRV\PROGETTI	Autorizzazione:	Codice: PFCPSL1000
File/Cartella:	MANUAL\TEX1000\PFCPSL1000\PFC1000CN1.dwg	Trattamento: /	Profilo: /
Scala: /	Materiale: /		



		Pagina: 1 di 1 Size: A4	
Nome Progetto: TEX1000	Ufficio Tecnico	Data: 09/09/03	Codice Progetto: 010
Autore:	\\UT_SRV\PROGETTI	Revisione: 1.1	Nome Parte: SOFT START E FILTRO EMI
Nome PC in Rete:	\\UT_SRV\PROGETTI	Autorizzazione:	Codice: PFCPSL1000
File/Cartella:	MANUAL\TEX1000\PFCPSL1000\VL1000PFC.dwg	Trattamento: /	Profilo: /
Scala: /	Materiale: /		



PFC CONTROLLER Revised: Tuesday, September 16, 2003
 PFPSL1000 Revision: 1.1
 TEX1000

Item	Quantity	Reference	Part
1	3	C1,C2,C7	CP 22uF
2	7	C3,C15,C19,C23,C27,C30,C34	CD 1uF
3	1	C4	CT1/25
4	1	C5	CP 1uF
5	1	C6	CP1uF
6	2	C8,C13	CP1KpF
7	4	C9,C16,C18,C24	CD10Kpf
8	1	C10	CD100pF
9	1	C11	22/25
10	3	C12,C17,C26	gen-25
11	1	C14	CP2K2pF-2.5%
12	2	C21,C20	220/25
13	1	C22	22uF/25
14	1	C25	CD470pF
15	1	C28	4.7uF/400
16	1	C29	10kPF-1KV
17	1	C31	4K7pF-1KV
18	2	C33,C32	CD1KpF
19	1	DL1	LED-D3R
20	2	DZ1,DZ2	9V-0.5W
21	1	DZ3	5V1-0.5W
22	5	D1,D2,D3,D4,D10	11DQ06
23	2	D6,D5	1N4148
24	1	D8	LED V
25	1	D9	LM336-2.5V
26	1	D12	1N4007
27	1	D13	UF4007
28	1	D14	BYV29-200
29	1	JP2	strip 2 90gr
30	1	JP3	JUMPER3
31	1	JP4	STRIP 90
32	3	JP6,JP7,JP8	MOLEX 4
33	1	JP9	MOLEX4
34	1	J1	STRIP 4
35	1	J2	MASCON2
36	1	J3	STRIP 3
37	1	L1	100uH
38	1	L2	VK200
39	2	OC2,OC1	K1010
40	2	Q1,Q5	BC237
41	1	Q2	BC307
42	1	Q3	IRFD120
43	1	Q4	IRFD9120
44	4	R1,R12,R24,R42	9K76
45	1	R2	330K
46	1	R3	33K
47	1	R4	68K
48	1	R5	470K
49	1	R6	20K0

Item	Quantity	Reference	Part
50	2	R8,R7	47K0
51	1	R9	330K0
52	1	R10	13K3
53	3	R11,R14,R32	1R5
54	3	R13,R21,R40	22R
55	1	R15	100K
56	3	R16,R25,R33	4K99
57	3	R17,R18,R35	2K37
58	4	R19,R26,R28,R30	1K5
59	1	R22	1M5
60	2	R23,R27	3K3
61	1	R29	150K-2W
62	1	R31	2R7
63	1	R34	4K7
64	2	R36,R37	1R0
65	1	R38	1M
66	1	R39	5K
67	1	R41	180K
68	2	R43,R44	10R
69	3	TR1,TR2,TR4	3106X-10K
70	1	TR3	10K
71	1	TSW 1	MYRRA-74093
72	1	U1	L4981A
73	1	U2	TC426
74	1	U3	LM258
75	1	U5	TNY254

SOFT SART E FILTRO EMI Revised: Tuesday, September 16, 2003
PFCPSL1000 Revision: 1.1
TEX1000

Item	Quantity	Reference	Part
1	4	C1,C2,C5,C6	Y2-4700pF
2	2	C4,C3	X2-1uF
3	1	C7	220/35
4	1	C8	100/35
5	1	C9	CD4K7pF
6	1	D1	1N4004
7	1	D2	W L02
8	5	JP1,JP2,JP3,JP4,JP5	M OLEX4
9	1	J1	KB2
10	1	J2	2 Piazze
11	1	K1	250VAC 30A
12	1	Q1	2N5064
13	2	R2,R1	10R
14	1	R3	390K-2W
15	1	R4	33R
16	1	R5	68K
17	1	R6	x
18	1	R7	3K3
19	1	T1	2X1.8m H
20	1	T2	2X1.8M m H

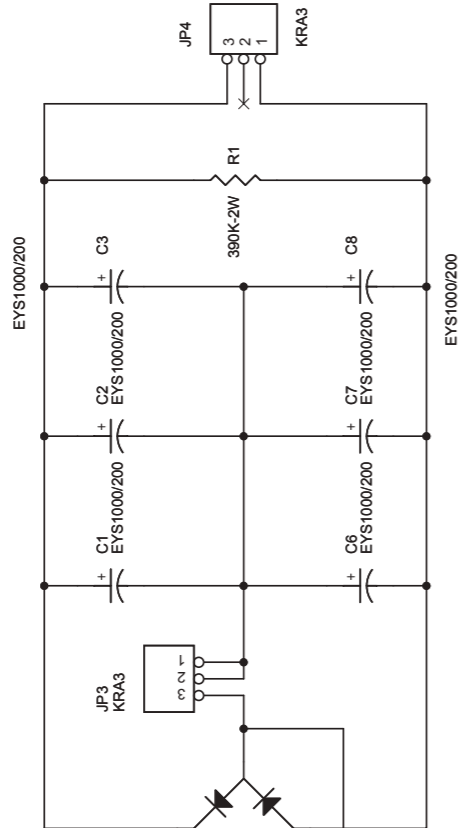
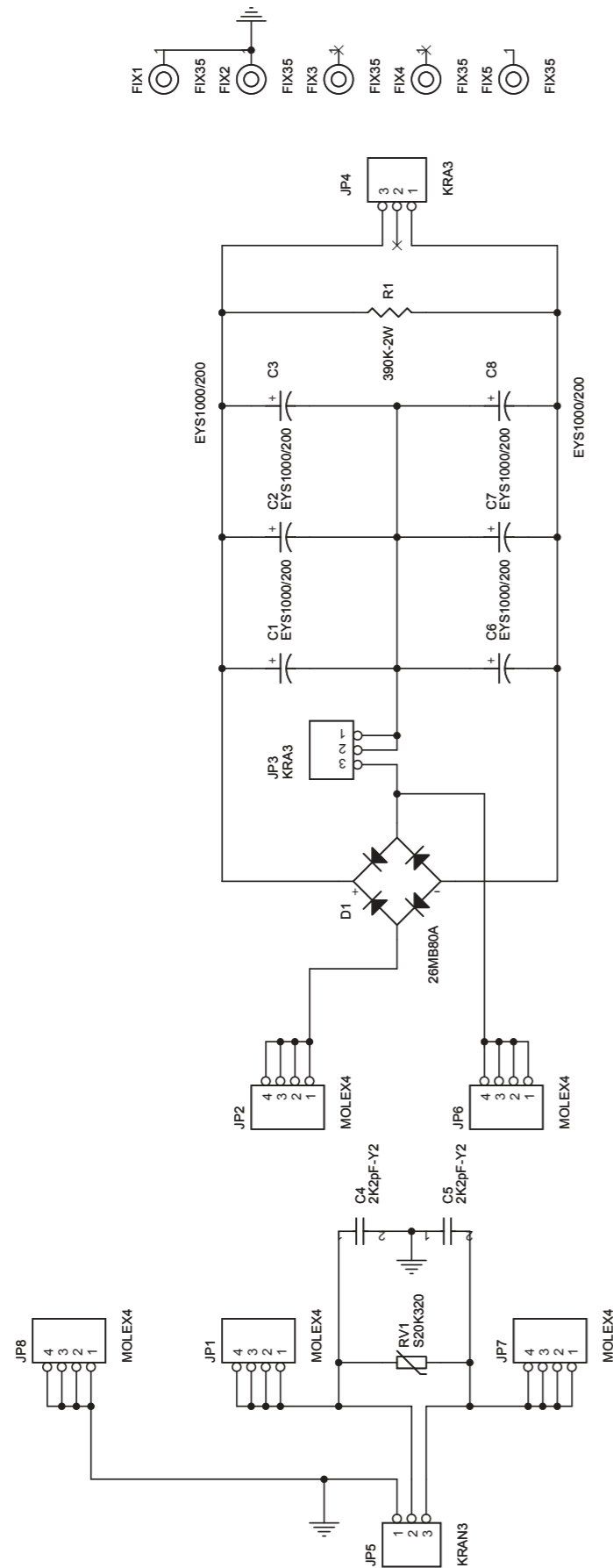
SENSORE D ICORRENTE PER PFC Revised: Tuesday, September 16, 2003
PFCPSL1000 Revision: 1.1
TEX1000

Item	Quantity	Reference	Part
1	2	CS1,CS2	PE-51718
2	2	D2,D1	BYV27-200
3	2	JP1,JP2	FLO
4	2	PD1,PD4	LUNENO
5	2	PD2,PD3	LUNE
6	2	R2,R1	X

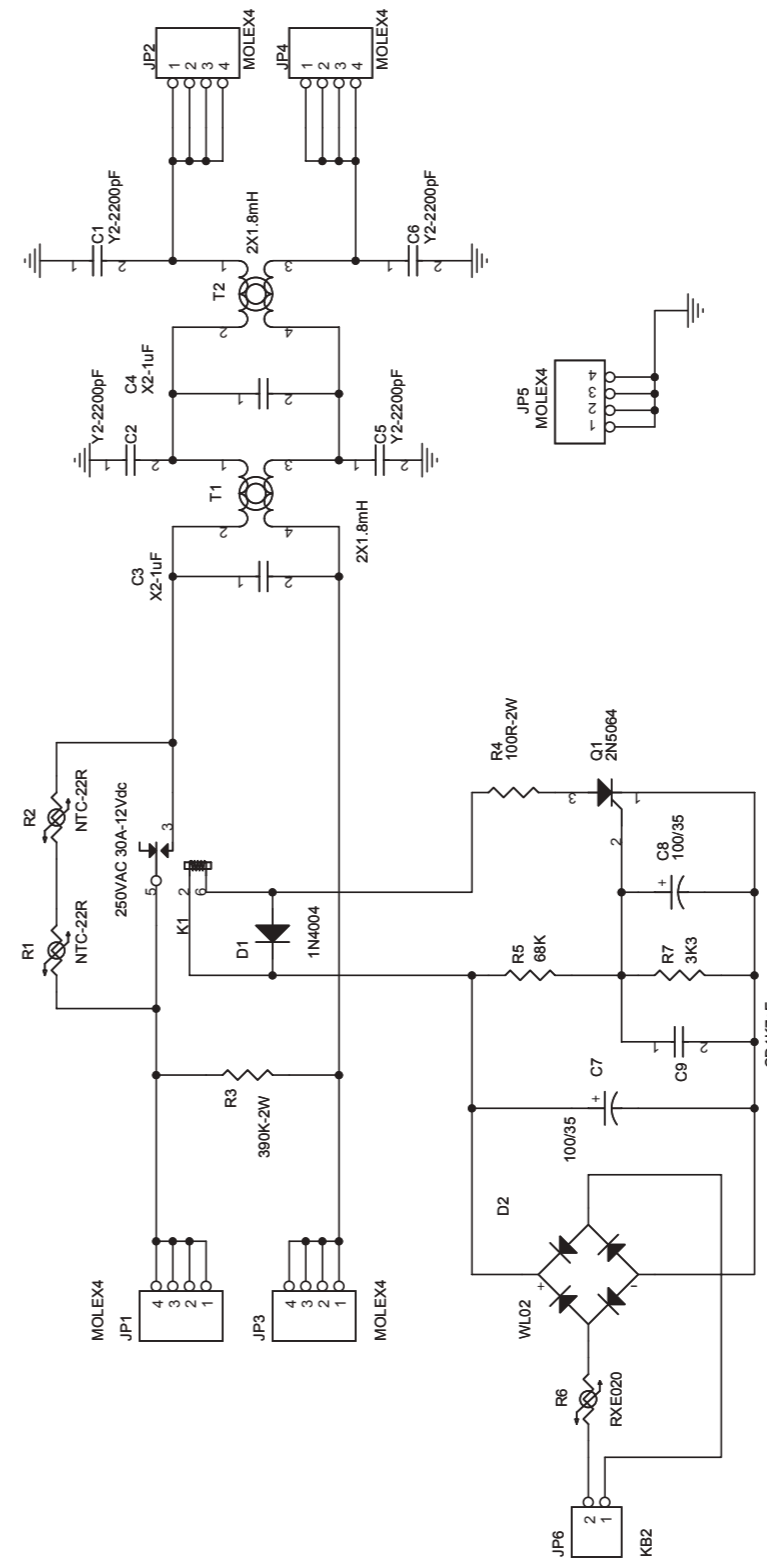
PFC POWER Revised: Tuesday, September 16, 2003
PFCPSL1000 Revision: 1.1
TEX1000

Item	Quantity	Reference	Part
1	2	CS2,CS1	PE-51718
2	1	C1	MKP 0.047uF 400
3	1	C2	MKP2.2uF 400
4	2	C4,C3	470uF-400
5	2	C5,C6	10nF-1KV
6	1	C7	100pF-1kV
7	1	D1	HFA50PAC
8	1	D2	20ETS08
9	1	D3	STTA806D
10	1	D4	UF4006
11	1	D5	GBPC2508W
12	2	D7,D6	1N4007
13	3	JP1,JP2,JP3	MOLEX4
14	5	JP4,JP5,JP6,JP7,JP8	MOLEX 4
15	1	JP9	MOLEX4
16	1	JP10	PAZZOLE
17	1	JP11	STRIP4
18	1	J1	KRAN3
19	1	J2	KRA4
20	4	J3,J4,J5,J6	CON1
21	1	L1	T94-2 6uH
22	1	L2	0,2mH
23	2	Q2,Q1	STW 45MN50
24	1	RV1	S20K320
25	1	R1	4R7-2W
26	2	R14,R2	10K
27	4	R3,R10,R11,R17	1M0
28	8	R4,R5,R6,R7,R8,R9,R12,R13	510K
29	1	R15	100R-2W
30	1	R16	150K-2W

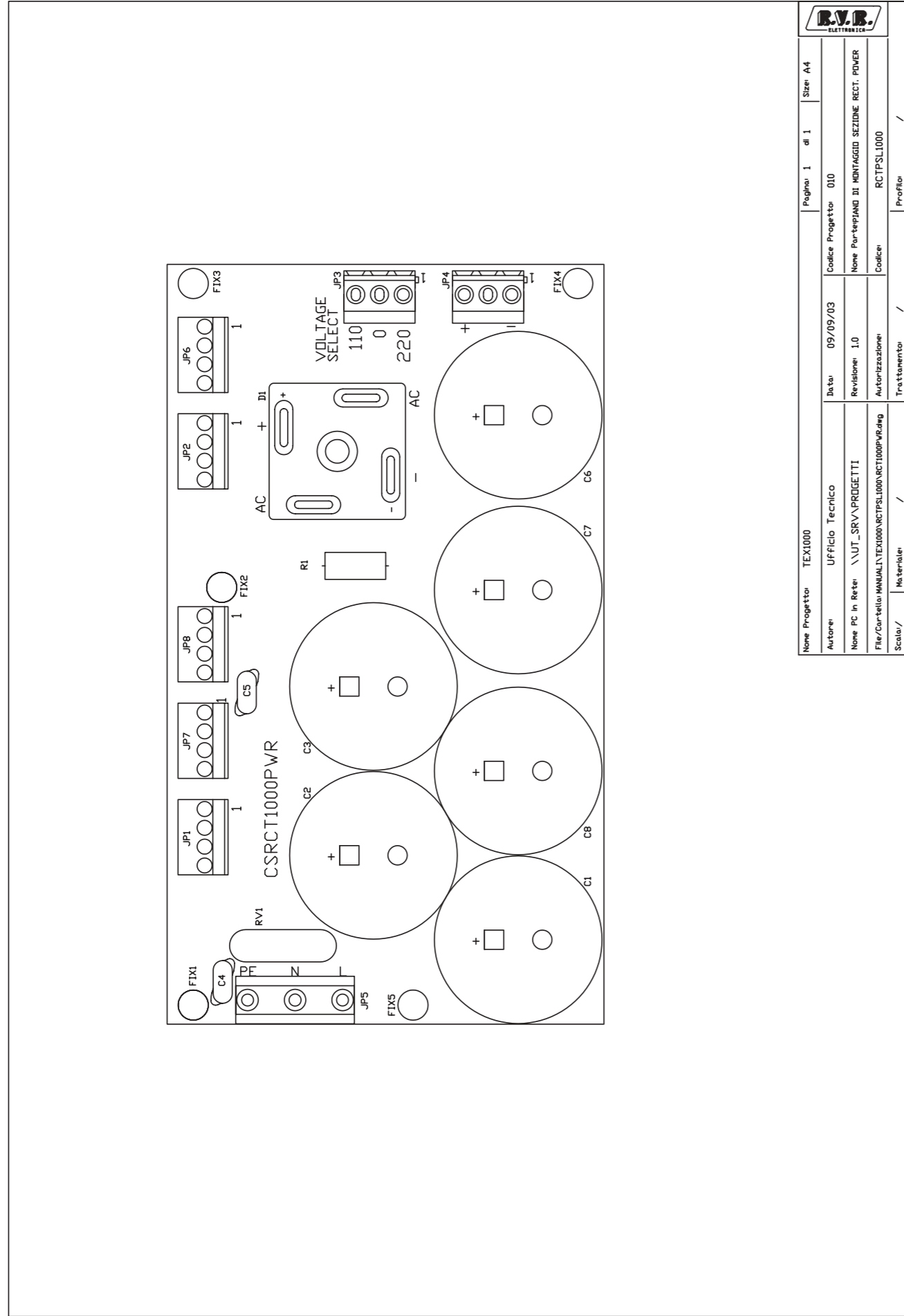
RCTPSL1000



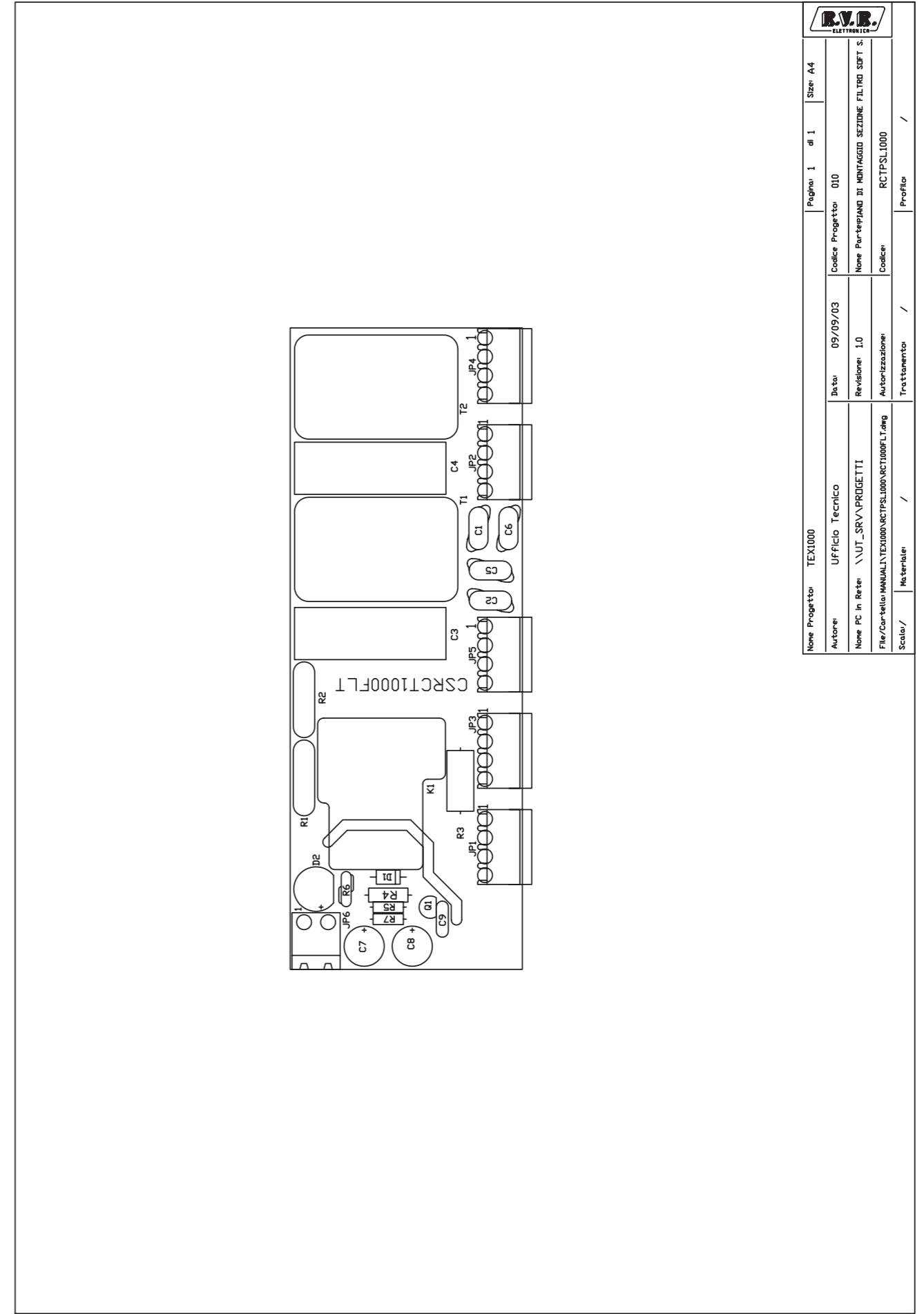
Nome Progetto: TEX1000	Pagina: 1 di 1	Size: A4
Autore: Ufficio Tecnico	Data: 09/09/03	Codice Progetto: 010
Nome PC in Rete: \\\UT_SRVPROGETTI	Revisione: 1.0	Nome Parte: DOUBLE VOLTAGE
File/Cartella: \\MANUAL\TEX1000\RCTPSL1000\RECT_L_PWL.DSN	Autore: Ufficio Tecnico	Codice: RCTPSL1000



Nome Progetto: TEX1000	Pagina: 1 di 1	Size: A4
Autore: Ufficio Tecnico	Data: 09/09/03	Codice Progetto: 010
Nome PC in Rete: \\\UT_SRVPROGETTI	Revisione: 1.0	Nome Parte: SOFT SART E FILTRO EMI
File/Cartella: \\MANUAL\TEX1000\RCTPSL1000\RECT_FT.DSN	Autore: Ufficio Tecnico	Codice: RCTPSL1000



Nome Progetto: TEX1000		Pagina: 1 di 1		Size: A4
Autore: Ufficio Tecnico		Data: 09/09/03		Codice Progetto: 010
Nome PC in Rete: \\UT_SRV\PROGETTI		Revisione: 1.0		Nome Partecipand di MONTAGGIO SEZIONE RECT. POWER
File/Carrello MANUALE\TEX1000\RCTPSL1000\RCT1000PWR.dwg		Autore/Revisione:		Codice: RCTPSL1000
Scala: /	Materiale: /	Trasformatore: /	Profilo: /	



Nome Progetto: TEX1000		Pagina: 1 di 1		Size: A4
Autore: Ufficio Tecnico		Data: 09/09/03		Codice Progetto: 010
Nome PC in Rete: \\UT_SRV\PROGETTI		Revisione: 1.0		Nome Partecipand di MONTAGGIO SEZIONE FILTRO SIFT S
File/Carrello MANUALE\TEX1000\RCTPSL1000\RCT1000FLT.dwg		Autore/Revisione:		Codice: RCTPSL1000
Scala: /	Materiale: /	Trasformatore: /	Profilo: /	

RCTPSL1000

DOUBLE VOLTAGE Revised: Friday, March 11, 2005
 RCTPSL1000 Revision: 1.0
 TEX1000

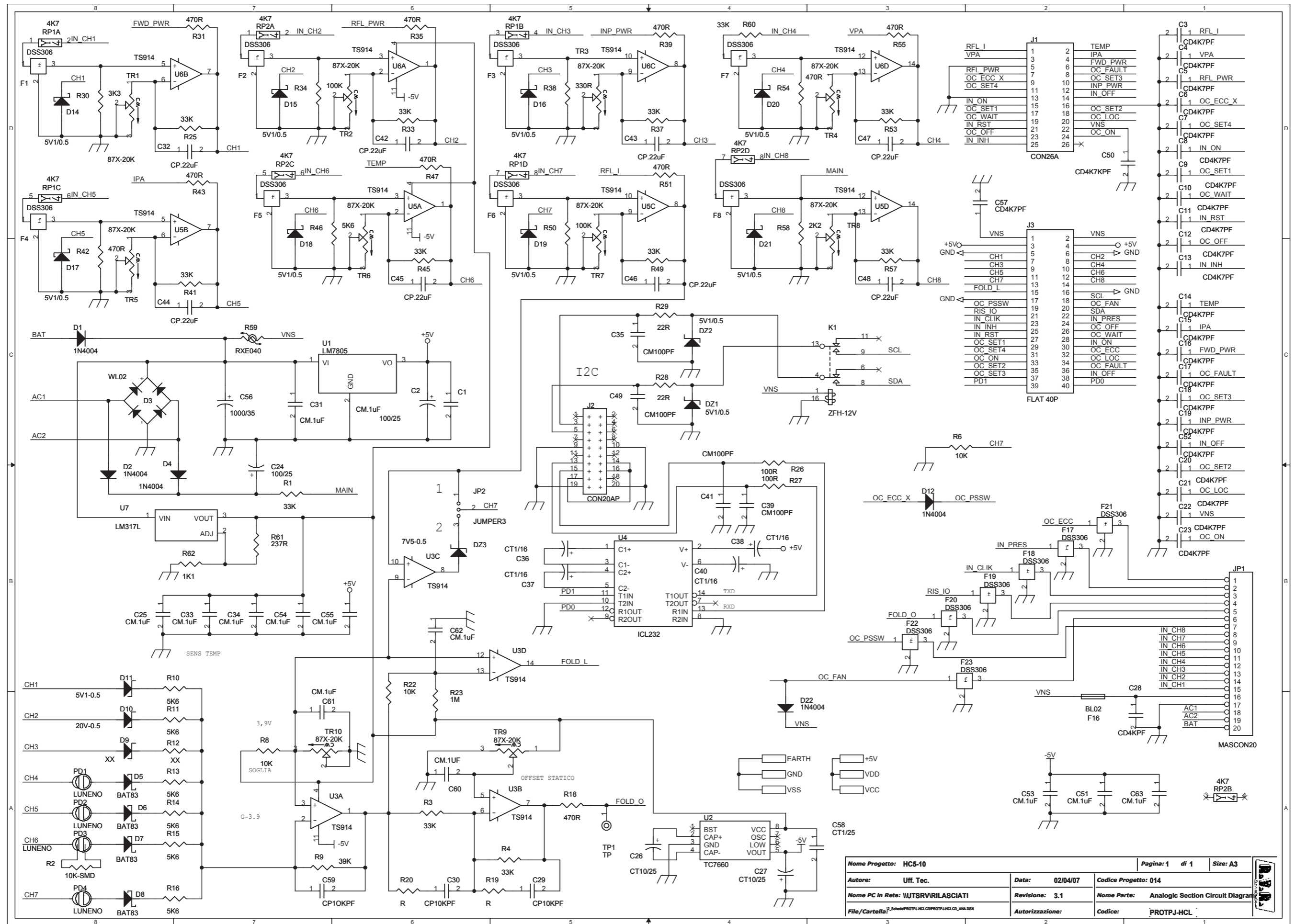
Ufficio Tecnico

Item	Quantity	Reference	Part
1	6	C1, C2, C3, C6, C7, C8	EYS1000/200
2	2	C4, C5	2K2pF-Y2
3	1	D1	26MB80A
4	5	FIX1, FIX2, FIX3, FIX4, FIX5	FIX35
5	5	JP1, JP2, JP6, JP7, JP8	MOLEX4
6	2	JP3, JP4	KRA3
7	1	JP5	KRAN3
8	1	RV1	S20K320
9	1	R1	390K-2W

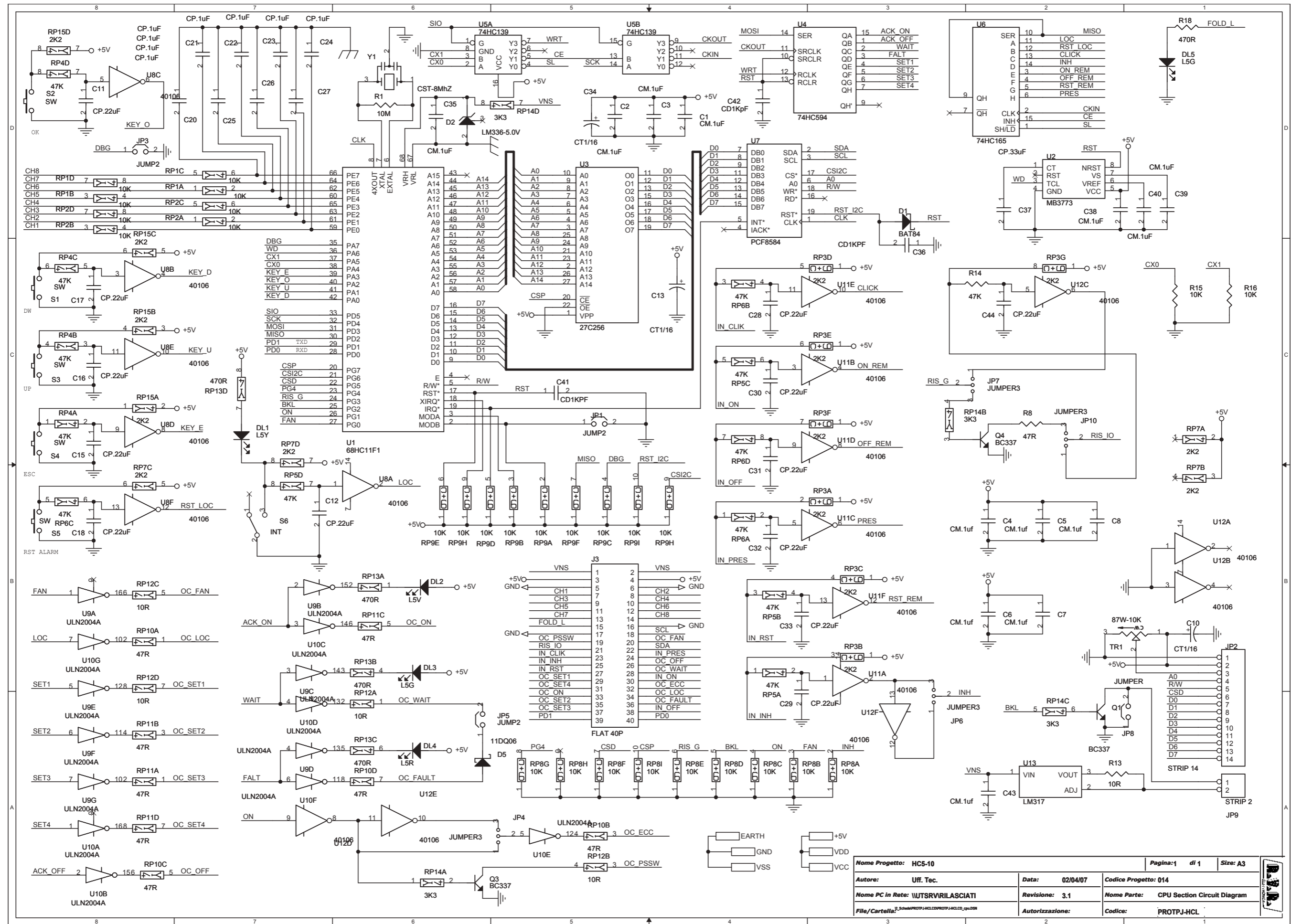
SOFT SART E FILTRO EMI Revised: Friday, March 11, 2005
 RCTPSL1000 Revision: 1.0
 TEX1000

Ufficio Tecnico

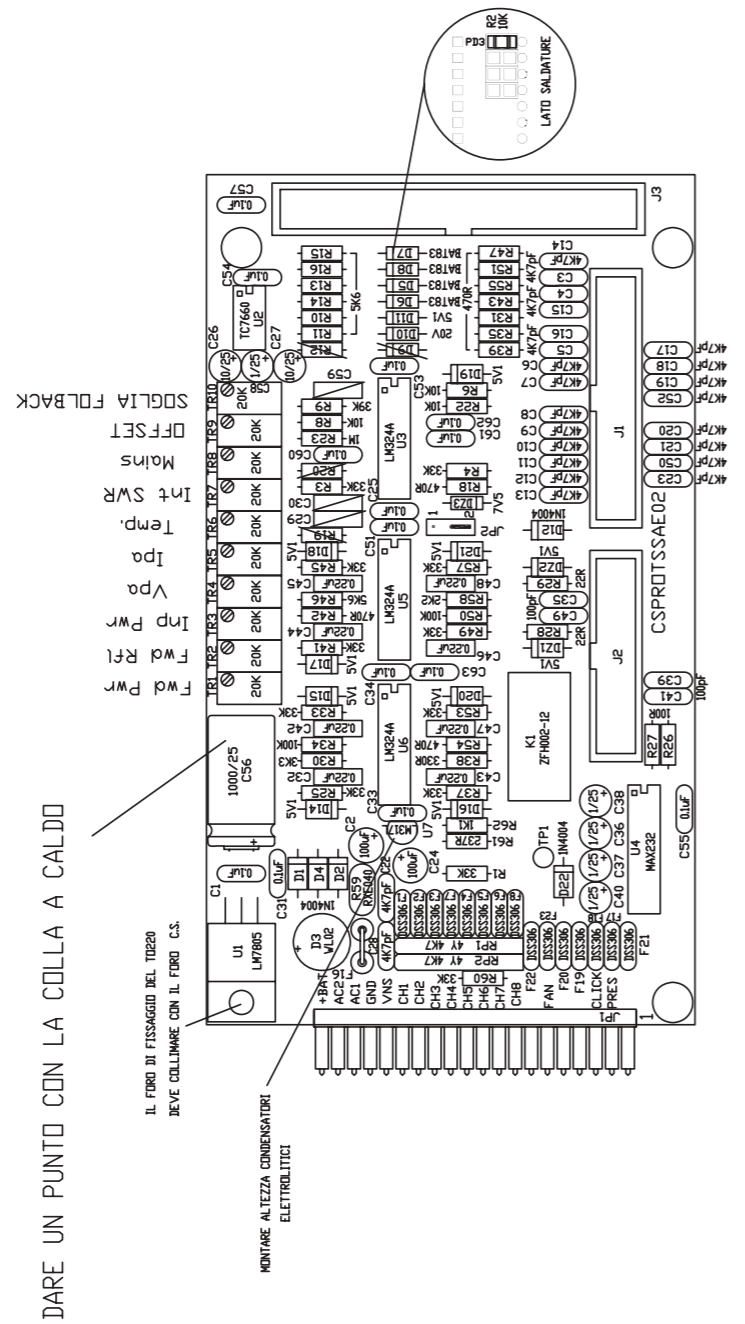
Item	Quantity	Reference	Part
1	4	C1, C2, C5, C6	Y2-2200pF
2	2	C3, C4	X2-1uF
3	2	C7, C8	100/35
4	1	C9	CD4K7pF
5	1	D1	1N4004
6	1	D2	WL02
7	5	JP1, JP2, JP3, JP4, JP5	MOLEX4
8	1	JP6	KB2
9	1	K1	250VAC 30A-12Vdc
10	1	Q1	2N5064
11	2	R1, R2	NTC-22R
12	1	R3	390K-2W
13	1	R4	100R-2W
14	1	R5	68K
15	1	R6	RXE020
16	1	R7	3K3
17	2	T1, T2	2X1.8mH



Nome Progetto: HC5-10		Pagina: 1 di 1		Size: A3
Autore: Uff. Tec.	Data: 02/04/07	Codice Progetto: 014		
Nome PC in Rete: \UTSRVIRLASCATI	Revisione: 3.1	Nome Parte: Analogic Section Circuit Diagram		
File/Cartella: J:\SARIN\PROTPJ-HCLD\PROTPJ-HCLD_ANA.DSN	Autorizzazione:	Codice: PROTPJ-HCL		



PIANO DI MONTAGGIO CSPROTSSAE02 R3

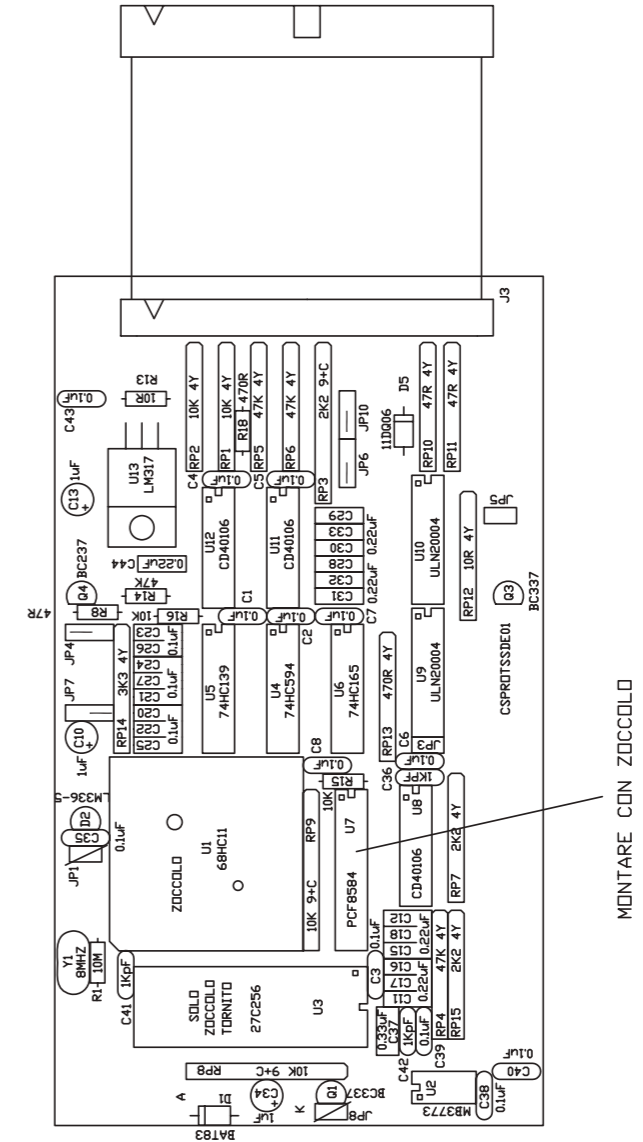


NOTE: REL 3

AGGIUNGERE UN RESISTENZA DA 10K SUL LS IN PD3

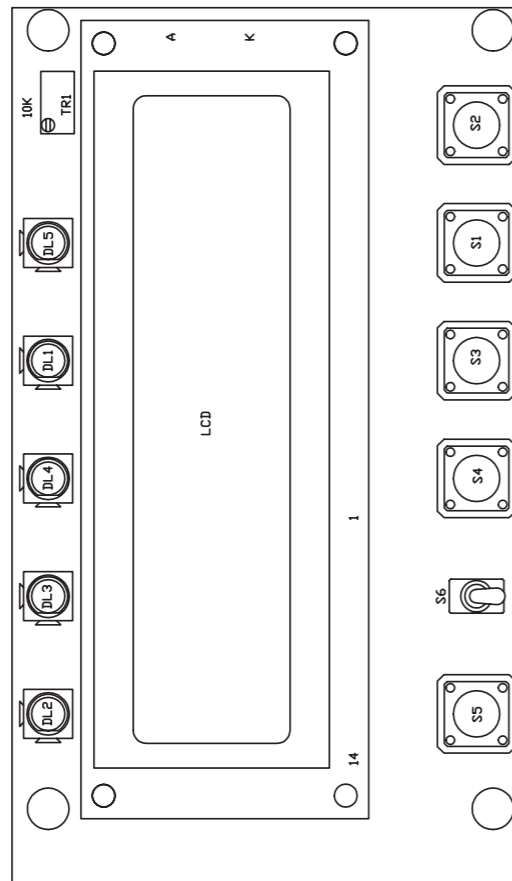
R.V.R. ELETTRONICA	NOME PROGETTO: HC5-10	NOME PARTE: Analogic Section Component Layout
AUTORE: GP - Rev.: J. Berti	DATA: 14/03/2007	REVISIONE: 3.1
ARCHIVIAZIONE ELETTRONICA: "CARTELLA PROGETTI" SU "UT_SRV"	SCALA: 1:1	SIZE: A4
CODICE PROGETTO: 014	PAGINA: 1 DI 1	CODICE DISEGNO: PROTPJ-HCLCD
MATERIALE: FR4-74 1.6mm Cu 35um	TRATTAMENTO: STANDARD COSTRUTTORE	STATO: ESECUTIVO

PIANO DI MONTAGGIO LATO SALDATURE



MONTARE CON ZOCOCOLO

R.V.R. ELETTRONICA	NOME PROGETTO: HC5-10	NOME PARTE: LCD Alarms Card Layout
AUTORE: GP - Rev.: J. Berti	DATA: 30/10/2008	REVISIONE: 1.1
ARCHIVIAZIONE ELETTRONICA: "CARTELLA PROGETTI" SU "UT_SRV"	SCALA: 1:1	SIZE: A4
CODICE PROGETTO: 014	PAGINA: 1 DI 1	CODICE DISEGNO: PROTPJ-HCLCD
MATERIALE: FR4-74 1.6mm Cu 35um	TRATTAMENTO: STANDARD COSTRUTTORE	STATO: ESECUTIVO



Revised: Thursday, January 08, 2009
Revision:

Item	Quantity	Reference	Part
1	13	C1, C25, C31, C33, C34, C51, C53, C54, C55, C60, C61, C62, C63	CM.1uF
2	2	C2, C24	100/25
3	23	C3, C4, C5, C6, C7, C8, C9, C10, C11, C12, C13, C14, C15, C16, C17, C18, C19, C20, C21, C22, C23, C52, C57	CD4K7PF
4	2	C26, C27	CT10/25
5	1	C28	CD4KPF
6	2	C29, C30	CP10KPF
7	8	C32, C42, C43, C44, C45, C46, C47, C48	CP.22uF
8	4	C35, C39, C41, C49	CM100PF
9	4	C36, C37, C38, C40	CT1/16
10	1	C50	CD4K7KPF
11	1	C56	1000/35
12	1	C58	CT1/25
13	1	C59	CP10KPF
14	10	DZ1, DZ2, D14, D15, D16, D17, D18, D19, D20, D21	5V1/0.5
15	1	DZ3	7V5-0.5
16	5	D1, D2, D4, D12, D22	1N4004
17	1	D3	WL02
18	4	D5, D6, D7, D8	BAT83
19	2	D9, R12	XX
20	1	D10	20V-0.5
21	1	D11	5V1-0.5
22	15	F1, F2, F3, F4, F5, F6, F7, F8, F17, F18, F19, F20, F21, F22, F23	DSS306
23	1	F16	BL02
24	1	JP1	MASCON20
25	1	JP2	JUMPER3
26	1	J1	CON26A
27	1	J2	CON20AP
28	1	J3	FLAT 40P
29	1	K1	ZFH-12V
30	4	PD1, PD2, PD3, PD4	LUNENO
31	2	RP1, RP2	4K7
32	12	R1, R3, R4, R25, R33, R37, R41, R45, R49, R53, R57, R60	33K
33	1	R2	10K-SMD
34	3	R6, R8, R22	10K
35	1	R9	39K
36	7	R10, R11, R13, R14, R15, R16, R46	5K6
37	10	R18, R31, R35, R39, R42, R43, R47, R51, R54, R55	470R
38	2	R19, R20	R
39	1	R23	1M
40	2	R26, R27	100R
41	2	R28, R29	22R
42	1	R30	3K3
43	2	R34, R50	100K
44	1	R38	330R
45	1	R58	2K2
46	1	R59	RXE040
47	1	R61	237R
48	1	R62	1K1
49	1	TP1	TP
50	10	TR1, TR2, TR3, TR4, TR5, TR6, TR7, TR8, TR9, TR10	87X-20K
51	1	U1	LM7805
52	1	U2	TC7660
53	3	U3, U5, U6	TS914
54	1	U4	ICL232
55	1	U7	LM317L

	NOME PROGETTO: HC5-10	NOME PARTE: CPU Display Section Component Layout
AUTORE: GP - Rev.: J. Berti	DATA: 11/02/2004	REVISIONE: 2.0 SCALA: 1:1 SIZE: A4 PAGINA: 1 DI 1
ARCHIVIAZIONE ELETTRONICA: "CARTELLA PROGETTI" SU "UT_SRV"	CODICE PROGETTO: 014	CODICE DISEGNO: PROTPJ-HCLCD
MATERIALE: FR4-74 1.6mm Cu 35um	TRATTAMENTO: STANDARD COSTRUTTORE	PROFILO: Positivo STATO: ESECUTIVO

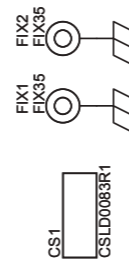
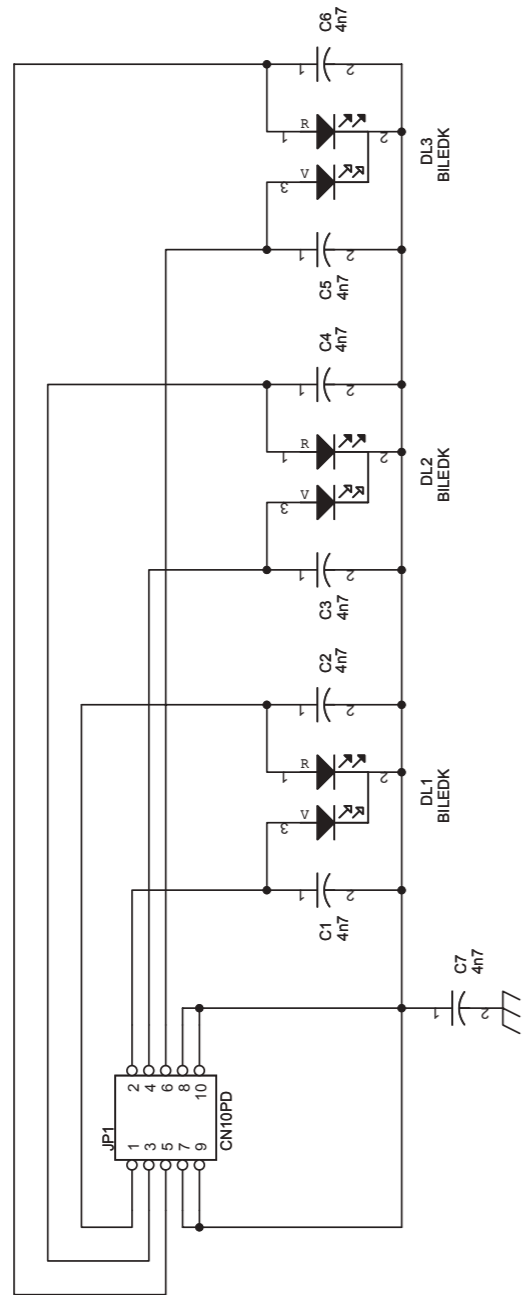
PROTPJ-HCLD

Revised: Thursday, January 08, 2009
Revision:

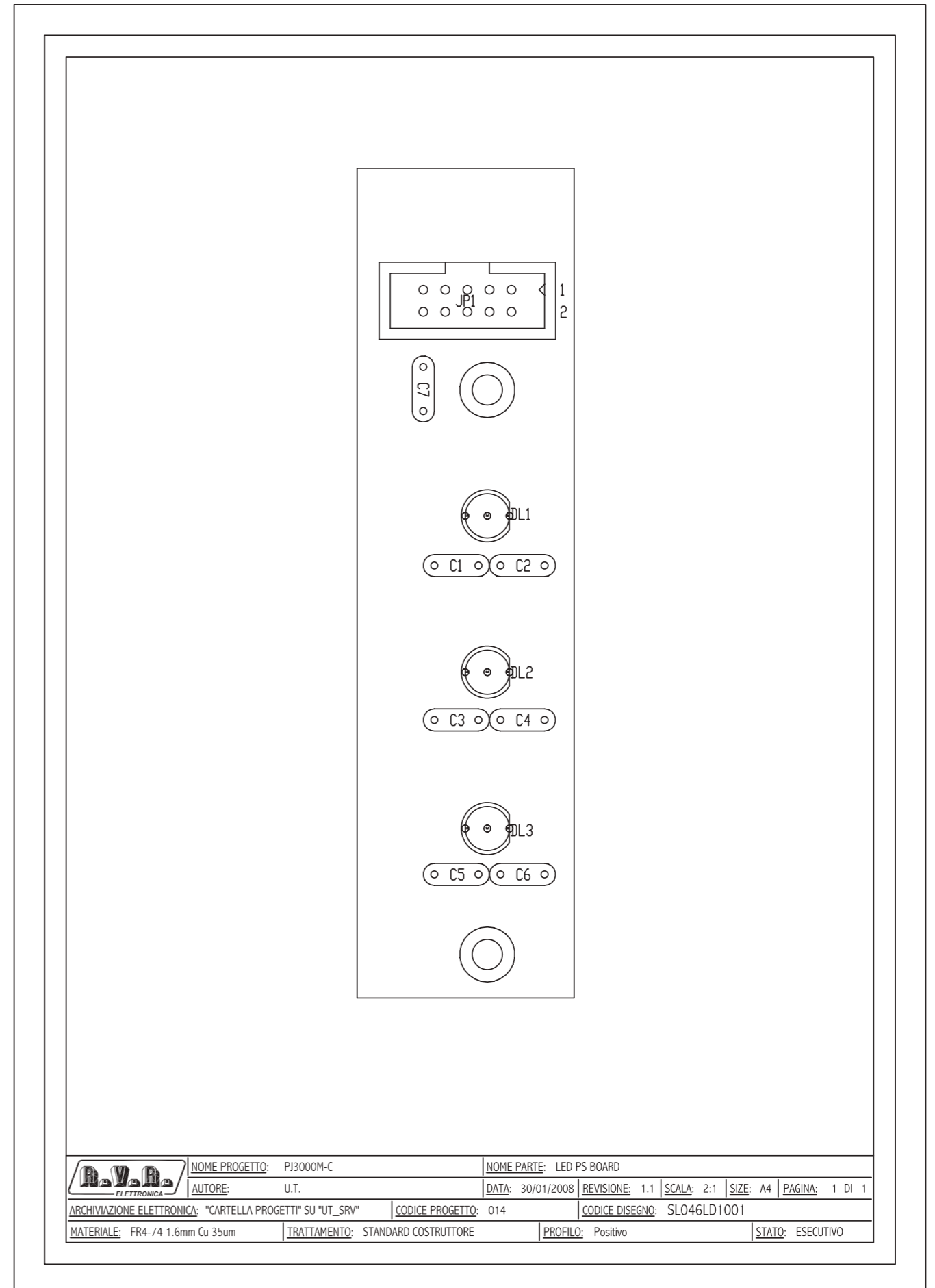
Item	Quantity	Reference	Part
1	13	C1, C25, C31, C33, C34, C51, C53, C54, C55, C60, C61, C62, C63	CM.1uF
2	2	C2, C24	100/25
3	23	C3, C4, C5, C6, C7, C8, C9, C10, C11, C12, C13, C14, C15, C16, C17, C18, C19, C20, C21, C22, C23, C52, C57	CD4K7PF
4	2	C26, C27	CT10/25
5	1	C28	CD4KPF
6	2	C29, C30	CP10KPF
7	8	C32, C42, C43, C44, C45, C46, C47, C48	CP.22uF
8	4	C35, C39, C41, C49	CM100PF
9	4	C36, C37, C38, C40	CT1/16
10	1	C50	CD4K7KPF
11	1	C56	1000/35
12	1	C58	CT1/25
13	1	C59	CP10KPF
14	10	DZ1, DZ2, D14, D15, D16, D17, D18, D19, D20, D21	5V1/0.5
15	1	DZ3	7V5-0.5
16	5	D1, D2, D4, D12, D22	1N4004
17	1	D3	WL02
18	4	D5, D6, D7, D8	BAT83
19	2	D9, R12	XX
20	1	D10	20V-0.5
21	1	D11	5V1-0.5
22	15	F1, F2, F3, F4, F5, F6, F7, F8, F17, F18, F19, F20, F21, F22, F23	DSS306
23	1	F16	BL02
24	1	JP1	MASCON20
25	1	JP2	JUMPER3
26	1	J1	CON26A
27	1	J2	CON20AP
28	1	J3	FLAT 40P
29	1	K1	ZFH-12V
30	4	PD1, PD2, PD3, PD4	LUNENO
31	2	RP1, RP2	4K7
32	12	R1, R3, R4, R25, R33, R37, R41, R45, R49, R53, R57, R60	33K
33	1	R2	10K-SMD
34	3	R6, R8, R22	10K
35	1	R9	39K
36	7	R10, R11, R13, R14, R15, R16, R46	5K6
37	10	R18, R31, R35, R39, R42, R43, R47, R51, R54, R55	470R
38	2	R19, R20	R
39	1	R23	1M
40	2	R26, R27	100R
41	2	R28, R29	22R
42	1	R30	3K3
43	2	R34, R50	100K
44	1	R38	330R
45	1	R58	2K2
46	1	R59	RXE040
47	1	R61	237R
48	1	R62	1K1
49	1	TP1	TP
50	10	TR1, TR2, TR3, TR4, TR5, TR6, TR7, TR8, TR9, TR10	87X-20K
51	1	U1	LM7805
52	1	U2	TC7660
53	3	U3, U5, U6	TS914
54	1	U4	ICL232
55	1	U7	LM317L

Revised: Thursday, January 08, 2009
Revision:

Item	Quantity	Reference	Part
1	13	C1, C2, C3, C4, C5, C6, C7, C8, C35, C38, C39, C40, C43	CM.1uf
2	3	C10, C13, C34	CT1/16
3	13	C11, C12, C15, C16, C17, C18, C28, C29, C30, C31, C32, C33, C44	CP.22uF
4	8	C20, C21, C22, C23, C24, C25, C26, C27	CP.1uF
5	3	C36, C41, C42	CD1KpF
6	1	C37	CP.33uF
7	1	DL1	L5Y
8	1	DL2	L5V
9	2	DL3, DL5	L5G
10	1	DL4	L5R
11	1	D1	BAT84
12	1	D2	LM336-5.0V
13	1	D5	11DQ06
14	3	JP1, JP3, JP5	JUMP2
15	1	JP2	STRIP 14
16	4	JP4, JP6, JP7, JP10	JUMPER3
17	1	JP8	JUMPER
18	1	JP9	STRIP 2
19	1	J3	FLAT 40P
20	3	Q1, Q3, Q4	BC337
21	6	RP1, RP2, RP8, RP9, R15, R16	10K
22	3	RP3, RP7, RP15	2K2
23	4	RP4, RP5, RP6, R14	47K
24	3	R8, RP10, RP11	47R
25	2	RP12, R13	10R
26	2	RP13, R18	470R
27	1	RP14	3K3
28	1	R1	10M
29	5	S1, S2, S3, S4, S5	SW
30	1	S6	INT
31	1	TR1	87W-10K
32	1	U1	68HC11F1
33	1	U2	MB3773
34	1	U3	27C256
35	1	U4	74HC594
36	1	U5	74HC139
37	1	U6	74HC165
38	1	U7	PCF8584
39	3	U8, U11, U12	40106
40	2	U9, U10	ULN2004A
41	1	U13	LM317
42	1	Y1	CST-8MHz



Nome Progetto: PJ4000M-C		Pagina: 1 di 1		Size: A4
Autore: Mauro Ucelli		Codice Progetto: 046		
Nome PC in Rete: //UTSRV/Rilasciati		Data: 25/05/06		
File/Cartella: //		Revisione: 1.0		
		Autorizzazione:		
		Nome Parte: Bicolor LED card P.S.		
		Codice: SL046LD1001		

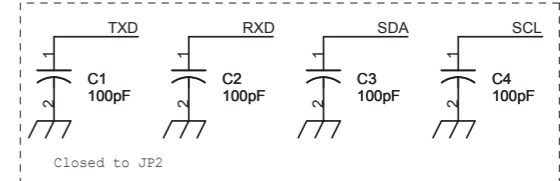
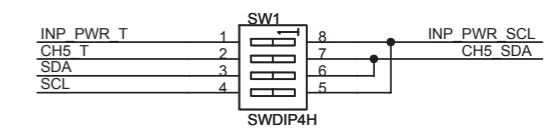
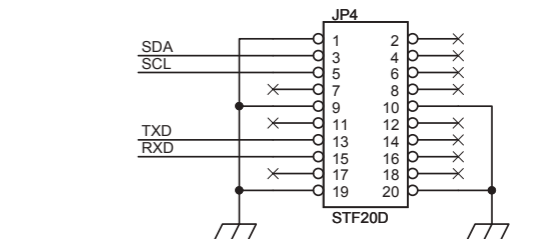
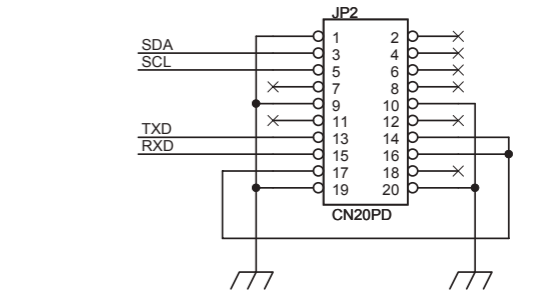
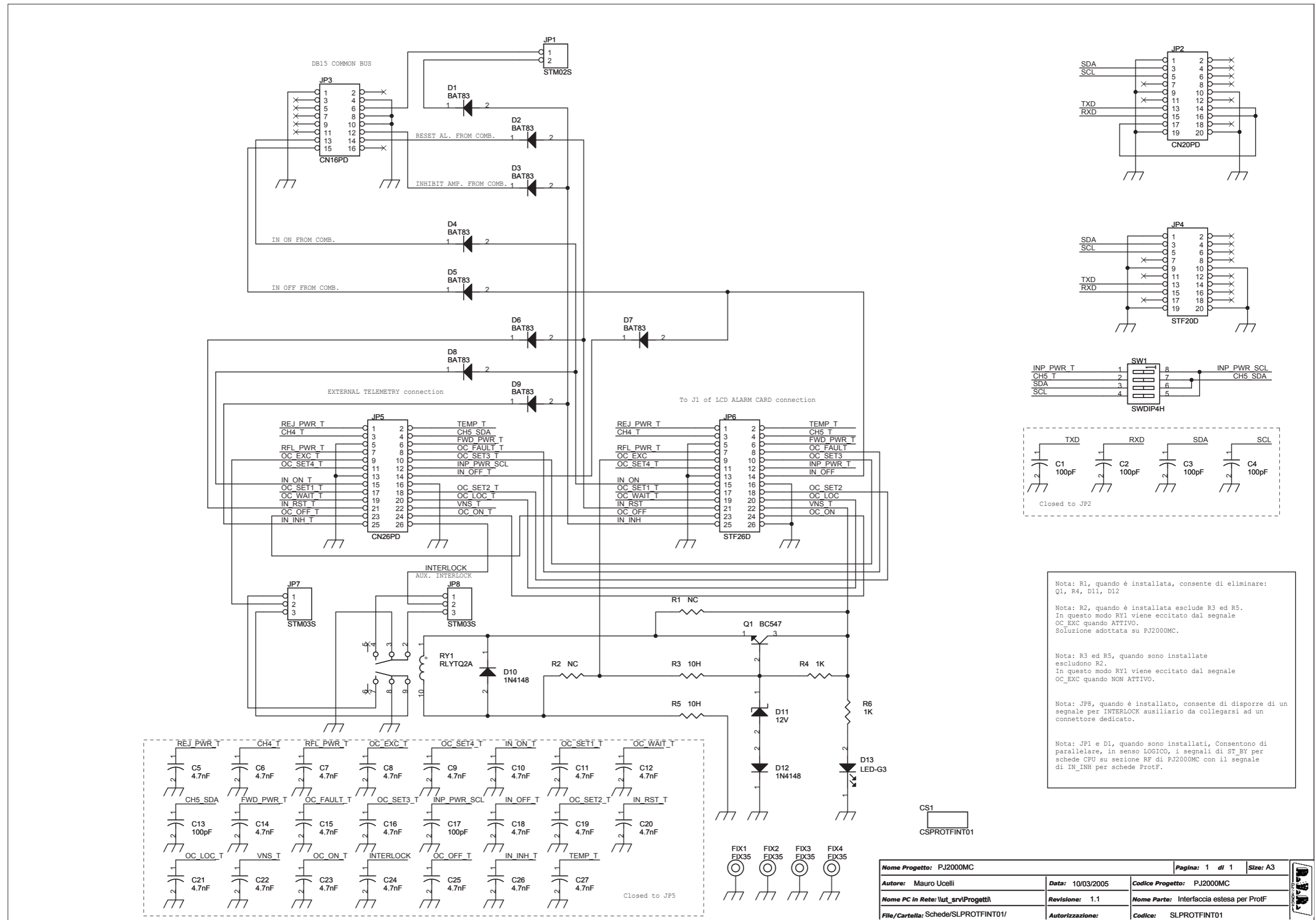


	NOME PROGETTO: PJ3000M-C	NOME PARTE: LED PS BOARD		
	AUTORE: U.T.	DATA: 30/01/2008	REVISIONE: 1.1	SCALA: 2:1
		SIZE: A4	PAGINA: 1 DI 1	
ARCHIVIAZIONE ELETTRONICA: "CARTELLA PROGETTI" SU "UT_SRV"	CODICE PROGETTO: 014	CODICE DISEGNO: SL046LD1001		
MATERIALE: FR4-74 1.6mm Cu 35um	TRATTAMENTO: STANDARD COSTRUTTORE	PROFILO: Positivo	STATO: ESECUTIVO	

SL046LD1001

Bicolor LED card P.S.
 SL046LD1001
 Revision: 1.0
 PJ4000M-C
 046
 Mauro Ucelli
 25/05/06

Item	Quantity	Reference	Part	Description	Code1
1	1	CS1	CSLD0083R1	Circuito stampato	CSLD0083R1
2	7	C1,C2,C3,C4,C5,C6,C7	4n7	Cond. ceramico p 5mm	CKM472KC600P
3	3	DL1,DL2,DL3	BILEDK	Doppio led V-R 5mm Catodo com.	LEDB05
4	2	FIX1,FIX2	FIX35	Foro fissaggio 3.5mm	
5	1	JP1	CN10PD	Connettore 10 poli Flat cs	CNTMCS10A



Nota: R1, quando è installata, consente di eliminare: Q1, R4, D11, D12

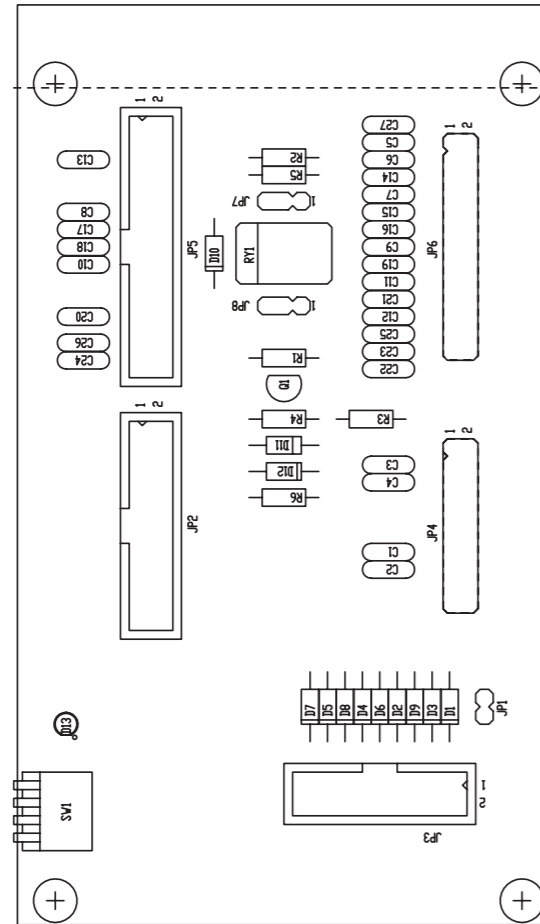
Nota: R2, quando è installata esclude R3 ed R5. In questo modo RY1 viene eccitato dal segnale OC_EXC quando ATTIVO. Soluzione adottata su PJ2000MC.

Nota: R3 ed R5, quando sono installate escludono R2. In questo modo RY1 viene eccitato dal segnale OC_EXC quando NON ATTIVO.

Nota: JP8, quando è installato, consente di disporre di un segnale per INTERLOCK ausiliario da collegarsi ad un connettore dedicato.

Nota: JP1 e D1, quando sono installati, Consentono di parallelare, in senso LOGICO, i segnali di ST_BY per schede CPU su sezione RF di PJ2000MC con il segnale di IN_INH per schede ProfF.

Nome Progetto: PJ2000MC	Pagina: 1 di 1	Size: A3
Autore: Mauro Ucelli	Data: 10/03/2005	Codice Progetto: PJ2000MC
Nome PC in Rete: \lut_srv\Progetti\	Revisione: 1.1	Nome Parte: Interfaccia estesa per ProfF
File/Cartella: Schede/SLPROTFINT01/	Autorizzazione:	Codice: SLPROTFINT01

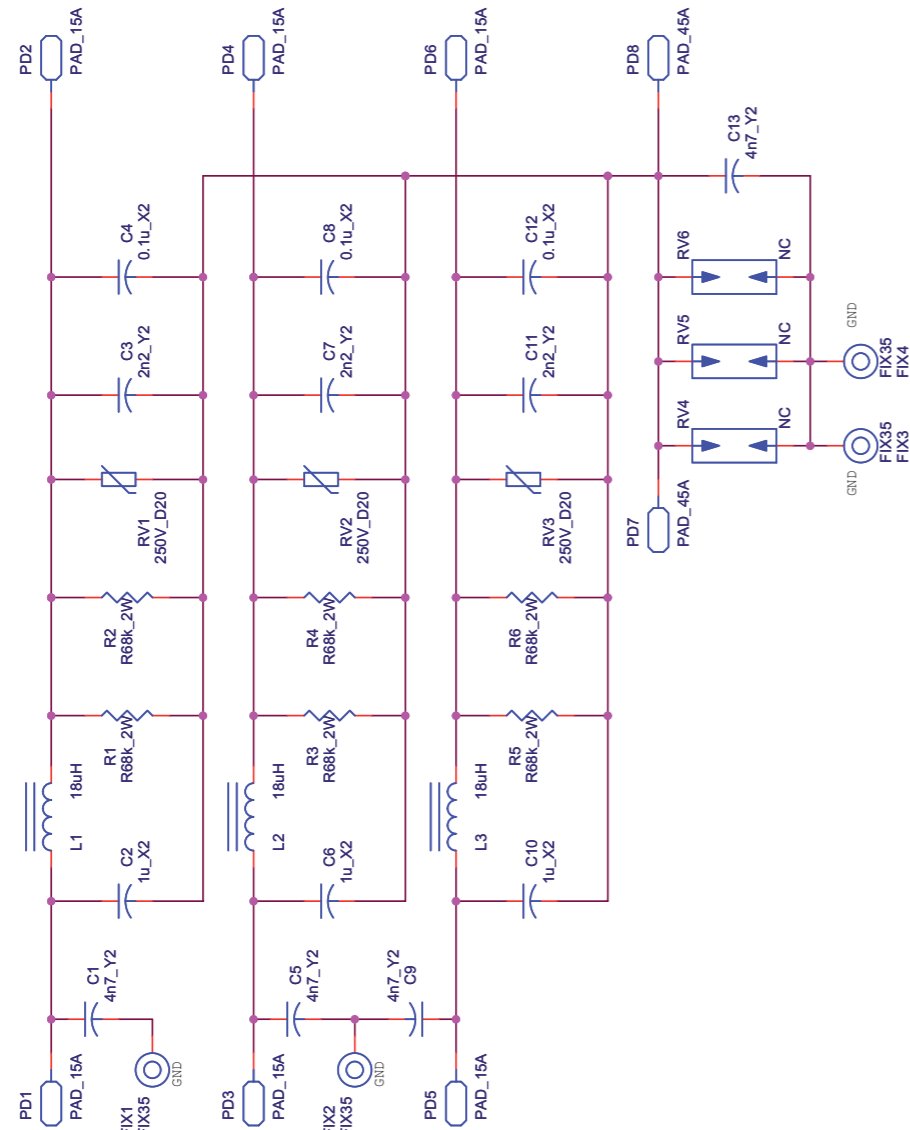


Nome Progetto	PJ2000M_C	Page	1	di	1	Size	A4
Autore	Poluzzi S.	Data	20/03/03	Revisione	1.0	Autore	Poluzzi S.
Nome PC in Rete	\\ut_srv\Progetti\Stato_solid	Autore	Poluzzi S.	Revisione	1.0	Autore	Poluzzi S.
File/Carrello	F:\Carrello	Autore	Poluzzi S.	Revisione	1.0	Autore	Poluzzi S.
Scala	1:1	Autore	Poluzzi S.	Revisione	1.0	Autore	Poluzzi S.
Materiale	FR4-74 1.6mm Cu 35um	Autore	Poluzzi S.	Revisione	1.0	Autore	Poluzzi S.
Trattamento	STANDARD	Autore	Poluzzi S.	Revisione	1.0	Autore	Poluzzi S.
Profilo	/	Autore	Poluzzi S.	Revisione	1.0	Autore	Poluzzi S.

Interfaccia estesa per ProtF Revised: Friday, March 11, 2005
SLPROTFINT01 Revision: 1.1
PJ2000MC
PJ2000MC
Mauro Ucelli

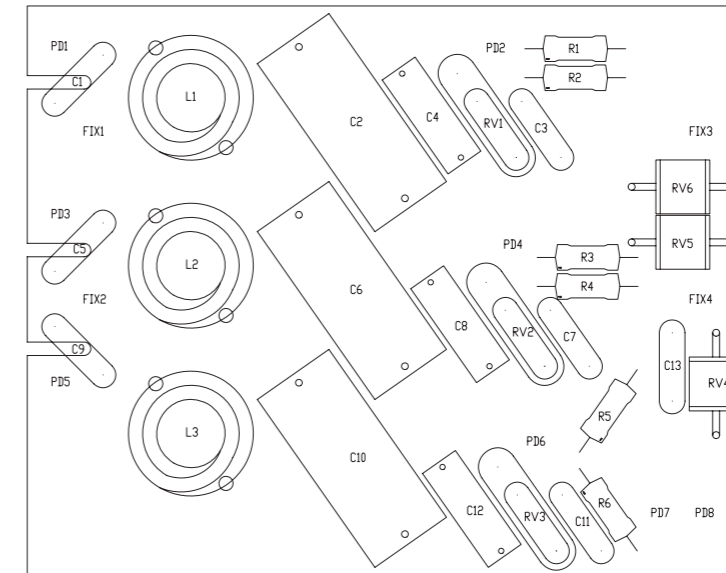
Item	Quantity	Reference	Part	Description
1	1	CS1	CSPROTFINT01	Circuito stampato
2	6	C1, C2, C3, C4, C13, C17	100pF	Cond. ceramico p 5mm
3	21	C5, C6, C7, C8, C9, C10, C11, C12, C14, C15, C16, C18, C19, C20, C21, C22, C23, C24, C25, C26, C27	4.7nF	Cond. ceramico p 5mm
4	9	D1, D2, D3, D4, D5, D6, D7, D8, D9	BAT83	Diodi Hot carrier DO35
5	2	D10, D12	1N4148	Diode in vetro DO35
6	1	D11	12V	1/2W Zener Diode
7	1	D13	LEDVERDE	LEDVERDE dia. 3mm a battuta
8	4	FIX1, FIX2, FIX3, FIX4	FIX35	Foro fissaggio 3.5mm
9	1	JP1	STM02S	Strip maschio 2 pin
10	1	JP2	CN20PD	Connettore 20 poli Flat cs
11	1	JP3	CN16PD	Connettore 16 poli Flat cs
12	1	JP4	STF20D	Strip femmina 10+10 pin Nota 1
13	1	JP5	CN26PD	Connettore 26 poli Flat cs
14	1	JP6	STF26D	Strip femmina 13+13 pin Nota 1
15	2	JP7, JP8	STM03S	Strip maschio 3 pin Nota 2
16	1	Q1	BC547	Trans. NPN TO92
17	1	RY1	RLYTQ2A	Rele' TQ2 12V
18	2	R1, R2	NC	Res. 1/4W
19	2	R3, R5	10H	Res. 1/4W
20	2	R4, R6	1K	Res. 1/4W
21	1	SW1	SWDIP4H	Dip switch 4 vie vert.

Nota 1 Montare lato saldature
Nota 2 JP7 ponticellare pin 2-3, JP8 ponticellare pin 2-3



CS1
C5SR0176R2

Nome Progetto: PJ4000MC		Pagina: 1 di 1		Size: A4
Autore: Mauro Ucelli		Data: 27/03/08	Codice Progetto: 046	
Nome PC In Rete: //UTSRV/Rilasciati		Revisione: 1.0	Nome Parte: Mains filter	
File/Cartella: *		Autorizzazione: SL046SR1002		

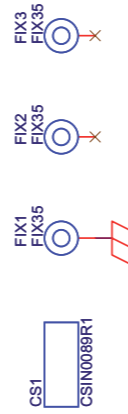
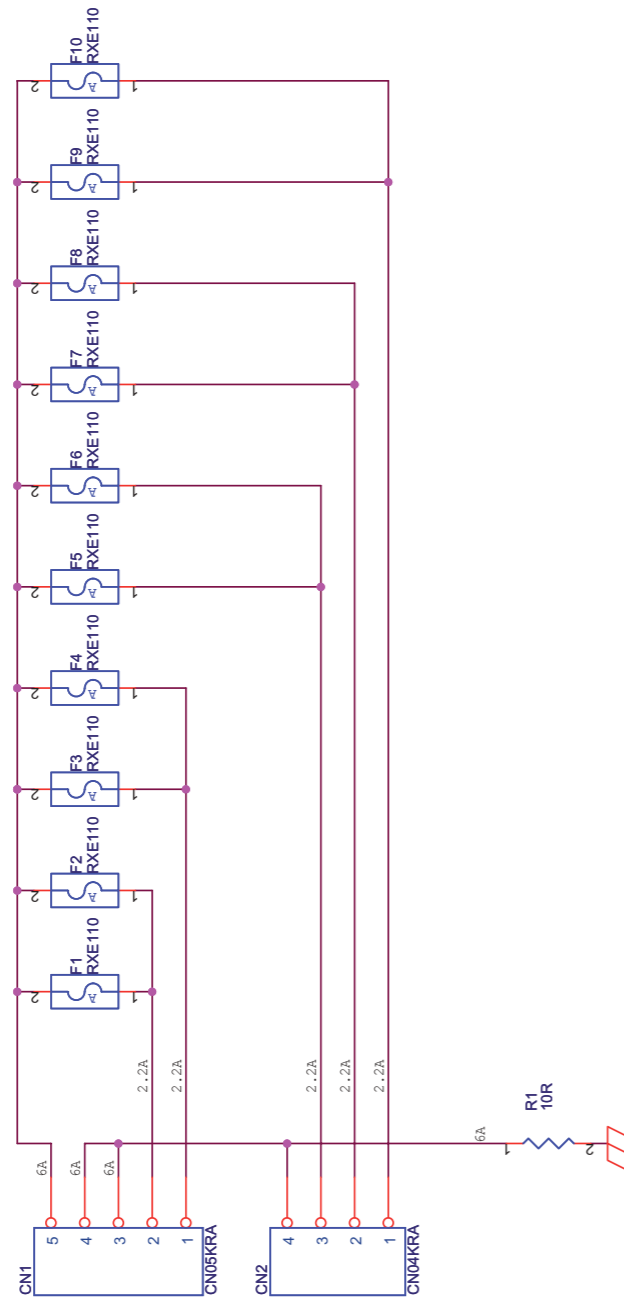


NOME PROGETTO: PJ4000M-C	NOME PARTE: MAIN FILTER
AUTORE: M. UCCELLI	DATA: 27/03/2008 REVISIONE: 1.0 SCALA: 1:1 SIZE: A4 PAGINA: 1 DI 1
ARCHIVIAZIONE ELETTRONICA: "CARTELLA RILASCIATI" SU "UTSRV"	CODICE PROGETTO: 046 CODICE DISEGNO: SL046SR1002
MATERIALE: <>	TRATTAMENTO: <> PROFILO: <> STATO: ESECUTIVO

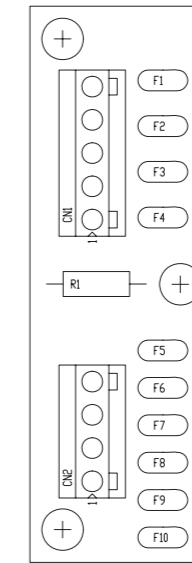
SL046SR1002

Mains filter
 SL046SR1002
 Revision: 1.0
 PJ4000MC
 046
 Mauro Ucelli
 27/03/08

Item	Quantity	Reference	Part	Description	Code1
1	1	CS1	CSSR0176R2		CSSR0176R2
2	4	C1,C5,C9,C13	4n7_Y2	Condensatore tipo Y2	CCY472MD250
3	3	C2,C6,C10	1u_X2	Condensatore tipo X2	CPP105MN271
4	3	C3,C7,C11	2n2_Y2	Condensatore tipo Y2	CCY222MD251
5	3	C4,C8,C12	0.1u_X2	Condensatore tipo X2	CPP104MG271
6	4	FIX1,FIX2,FIX3,FIX4	FIX35		
7	3	L1,L2,L3	18uH	Induttanza su cilindro di ferrite	BOB02010004A
8	6	PD1,PD2,PD3,PD4,PD5,PD6	PAD_15A		
9	2	PD7,PD8	PAD_45A		
10	3	RV1,RV2,RV3	250V_D20	Varistore a pastiglia diametro 20mm	MOV250V40
11	3	RV4,RV5,RV6	NC	Surge Arrester	
12	6	R1,R2,R3,R4,R5,R6	R68k_2W	Resistenza 2W	RSM002J0068K



Nome Progetto: PJ4000M-C		Pagina: 1 di 1		Size: A4	
Autore: Mauro Ucelli		Data: 07/07/06		Codice Progetto: 046	
Nome PC In Rete: \\UTSRV\lasciati\Schede		Revisione: 1.0		Nome Parte: Blowers Connection RF Section	
File/Cartella: \		Autorizzazioni:		Codice: SL046IN1001	

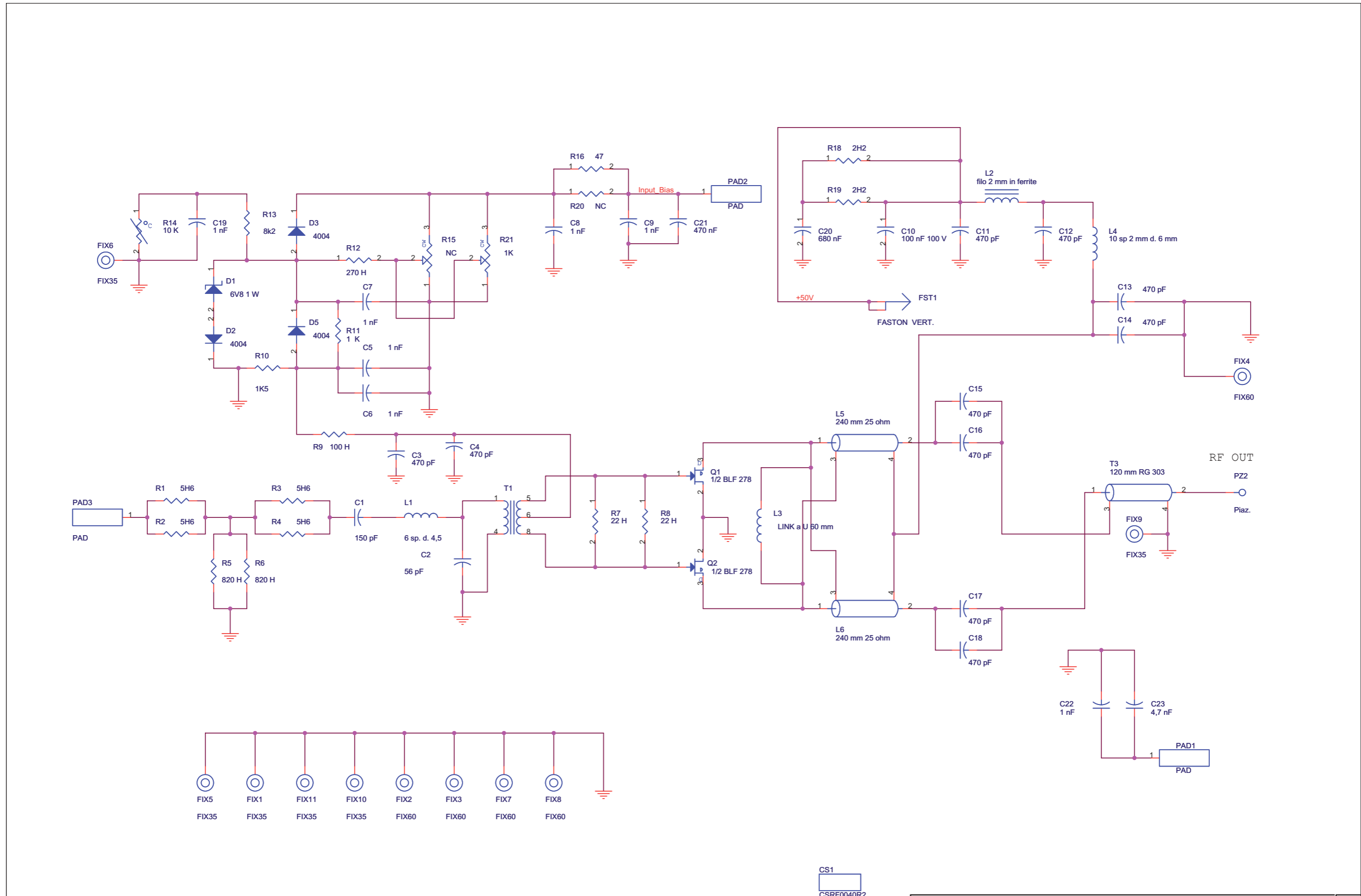


NOME PROGETTO: PJ4000M-C		NOME PARTE: SCHEDA CONTROLLO VENTOLE			
AUTORE: UCELLI		DATA: 07/07/2006	REVISIONE: 1.0	SCALA: 1:1	SIZE: A4
ARCHIVIAZIONE ELETTRONICA: "CARTELLA RILASCIATI" SU "UTSRV"		CODICE PROGETTO: 046	CODICE DISEGNO: SL046IN1001		
MATERIALE: <>	TRATTAMENTO: <>	PROFILO: <>	STATO: ESECUTIVO		

SL046IN1001

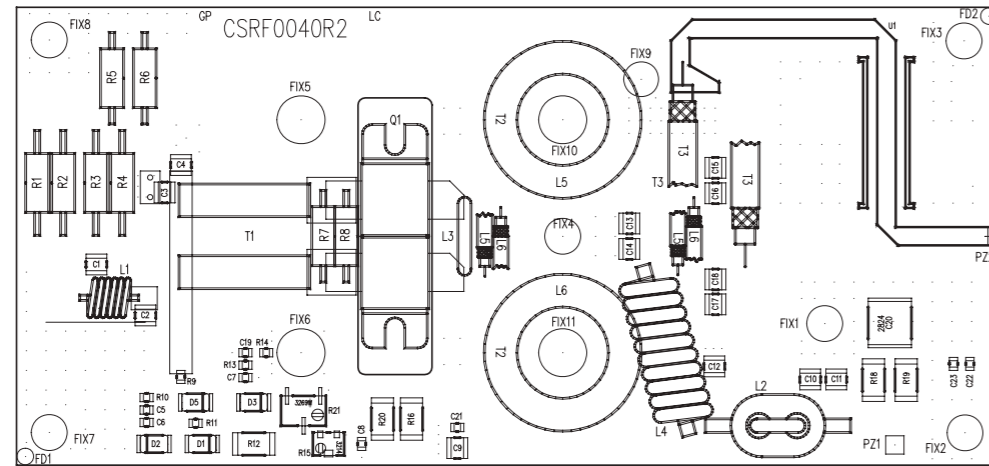
Blowers Connection RF Section
 SL046IN1001
 Revision: 1.0
 PJ4000M-C
 046
 Mauro Ucelli
 07/07/06

Item	Quantity	Reference	Part	Description	Code1
1	1	CN1	CN05KRA	Conn. tipo KRA a 5 poli	CNTMCS5P
2	1	CN2	CN04KRA	Conn. tipo KRA a 4 poli	CNTMCS4P
3	1	CS1	CSIN0089R1	Circuito stampato	CSIN0089R1
4	3	FIX1, FIX2, FIX3	FIX35	Foro fissaggio 3.5mm	
5	10	F1, F2, F3, F4, F5, F6, F7, F8, F9, F10	RXE110	Fusibile autorip. RXE p5mm	FUSAUTRX110A
6	1	R1	10R	Res. 1/4W 10H	RSM1/4F0010H



CS1
CSRF0040R2

Nome Progetto: FINALE RF PJ1000M		Pagina: 1 di 1	Size: A3
Autore: Gasperini Luca	Data: Wednesday, January 24, 2007	Codice Progetto: 042	
Nome PC in Rete: \WTSRV\lilasciati	Revisione: 1.1	Nome Parte: FINALE PJ1000 6U	
File/Cartella: /	Autorizzazione:	Codice: SL042RF1001	

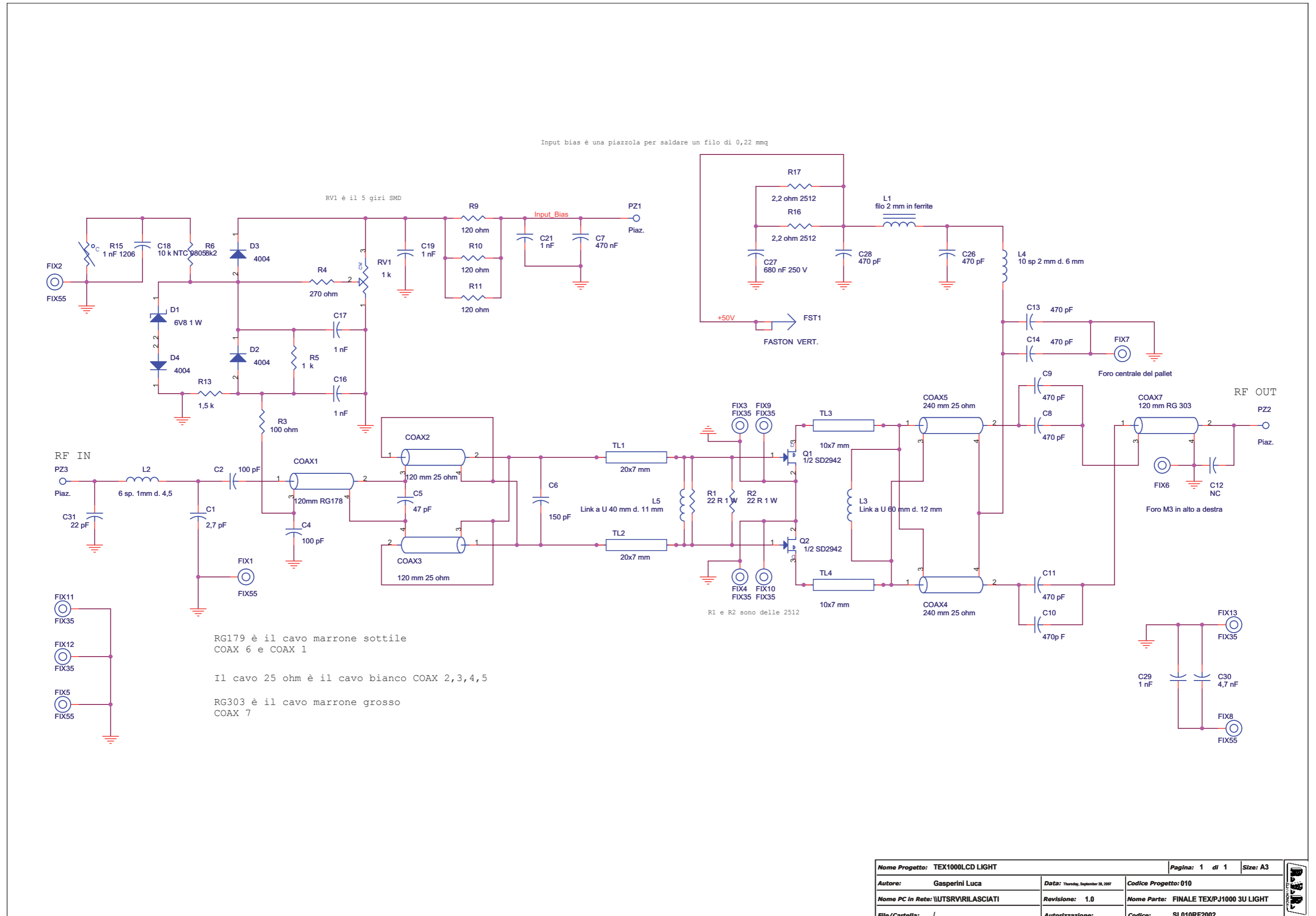


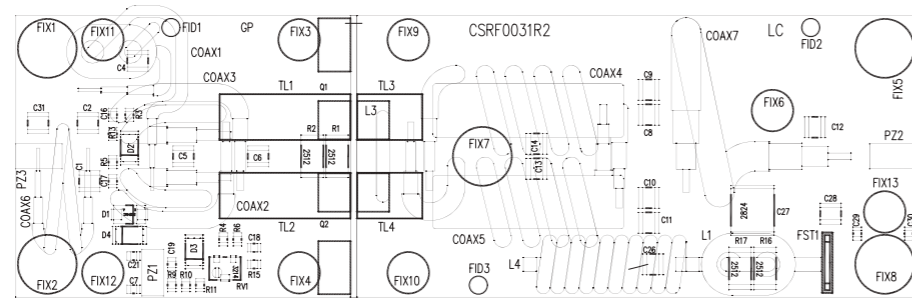
FINALE PJ1000 6U Revised: 03/10/2005
Revision: 1.1
SL042RF1001

Gasperini Luca

Item	Quantity	Reference	Part	(description)	Codice AS 400
1	1	C1	150 pF	Cond. SMD 1212 HQ	CHQ151JA301A
2	1	C2	56 pF	Cond. SMD 1212 HQ	CHQ560JA501
3	10	C3, C4, C11, C12, C13, C14, C15, C16, C17, C18	470 pF	Cond. SMD 1212 HQ	CHQ471JA201
4	6	C5, C6, C7, C8, C19, C22	1 nF	Cond. SMD 0805	CCC085102JNC
5	1	C9	1 nF	Cond. SMD 1212 HQ	CHQ102JA151A
6	1	C10	100 nF 100 V	Cond. ceramico multistrato p 5mm	CMS104MC101
7	1	C20	880 nF	Cond. SMD 2824	CPE684K1010
8	1	C21	470 nF	Cond. SMD 0805	CCC085474KXB
9	1	C23	4,7 nF	Cond. SMD 0805	CCC085472KXC
10	1	D1	6V8 1 W	MINIMELF SMD Zener Diode	DIZ6V8MELF
11	3	D2, D3, D5	4004	MELF SMD Diode	DIS4007SMA
12	6	FIX1, FIX5, FIX6, FIX9, FIX10, FIX11	FIX35	Foro fissaggio 3.5mm	
13	5	FIX2, FIX3, FIX4, FIX7, FIX8	FIX60	Foro fissaggio 6mm	
14	1	FST1	FASTON VERT.		
15	1	L1	6 sp. d. 4,5	Induttanza cilindrica	
16	1	L2	filo 2 mm in ferrite		
17	1	L3	LINK a U 60 mm	Induttanza cilindrica	
18	1	L4	10 sp 2 mm d. 6 mm	Induttanza cilindrica	
19	2	L5, L6	240 mm 25 ohm		
20	3	PAD1, PAD2, PAD3	PAD		
21	1	PZ2	Plaz.		
22	2	Q2, Q1	1/2 BLF 278	Trans. FET SOT23	TRNBLF278
23	4	R1, R2, R3, R4	5H6	Res. 2W	RSM002J005H6
24	1	R5, R6	820 H	Res. 2W	RSM002J0820H
25	2	R8, R7	22 H	Res. 1W	RSM001J0022H
26	1	R9	100 H	Res. SMD 0805 1%	RCH085J0100H
27	1	R10	1K5	Res. SMD 0805 1%	RCH085F001K5
28	1	R11	1 K	Res. SMD 0805 1%	RCH085F0001K
29	1	R12	270 H	Res. SMD 2512 1%	RCH200J0270H
30	1	R13	8k2	Res. SMD 0805 1%	RCH085F08K25
31	1	R14	10 K	Res. NTC SMD 0805	RNTC085K103K
32	1	R15	1 K	Trimmer 3269	RVT3269WK001
33	1	R16	47	Res. SMD 2512 1%	RCH252J0047H
34	2	R19, R18	2H2	Res. SMD 2512 1%	RCH252J002H2
35	1	R20	NC	Res. SMD 2512 1%	
36	1	R21	NC	Trimm. multi SMD PVG5 Murata	
37	1	T1			
38	1	T3	120 mm RG 303		
39	1	CS1	CSRFO040R2		CSRFO040R2

	NOME PROGETTO: REVISIONE FINALE RF PJ1000M 6U	NOME PARTE: FINALE RF			
	AUTORE: GASPERINI	DATA: 03/08/2005	REVISIONE: 1.0	SCALA: 1:1	SIZE: A4
ARCHIVIAZIONE ELETTRONICA: "CARTELLA PROGETTI" SU "UT_SRV"	CODICE PROGETTO: 042	CODICE DISEGNO: SLO42RF1001			
MATERIALE: <>	TRATTAMENTO: <>	PROFILO: <>	STATO: PROGETTUALE		

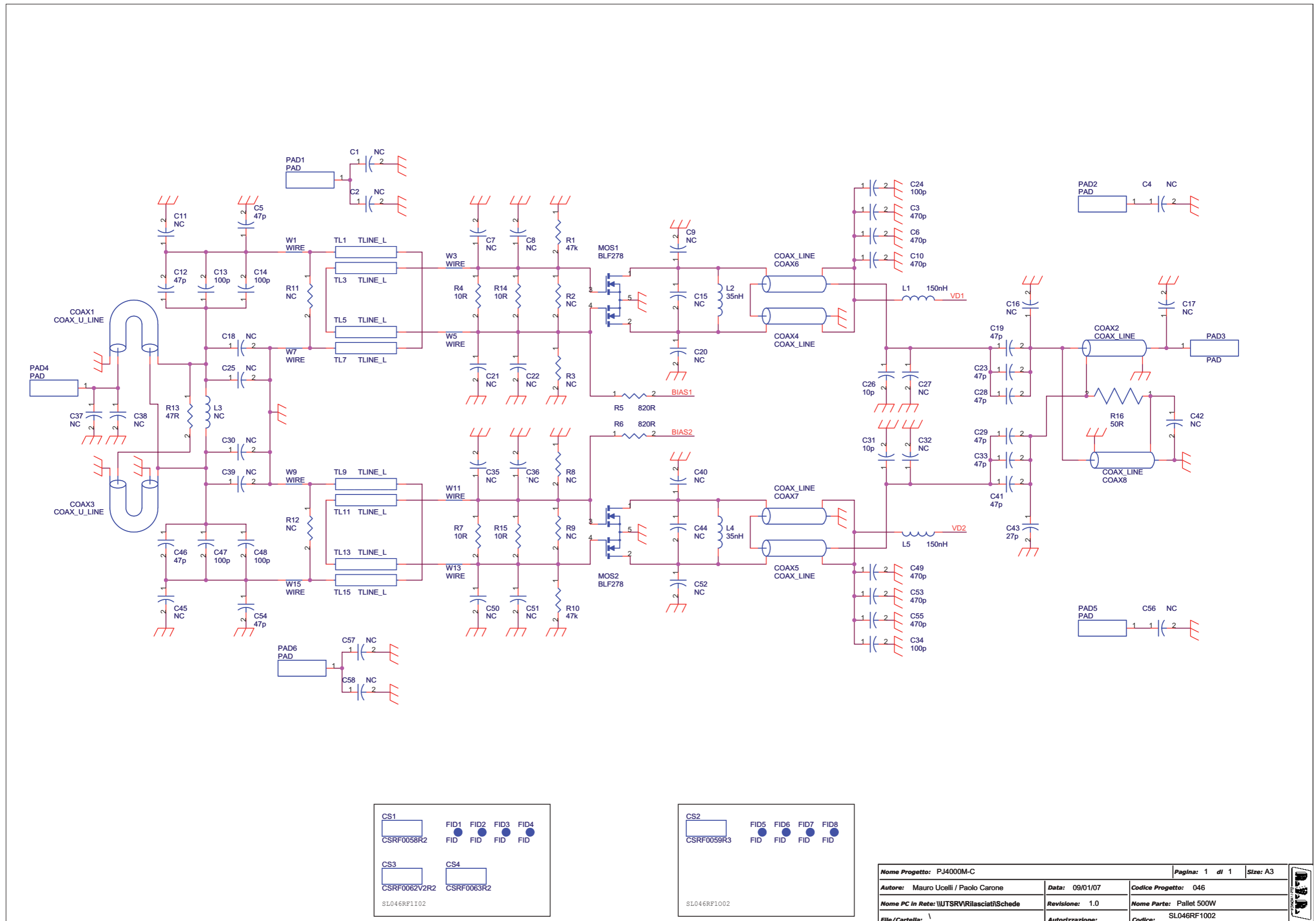


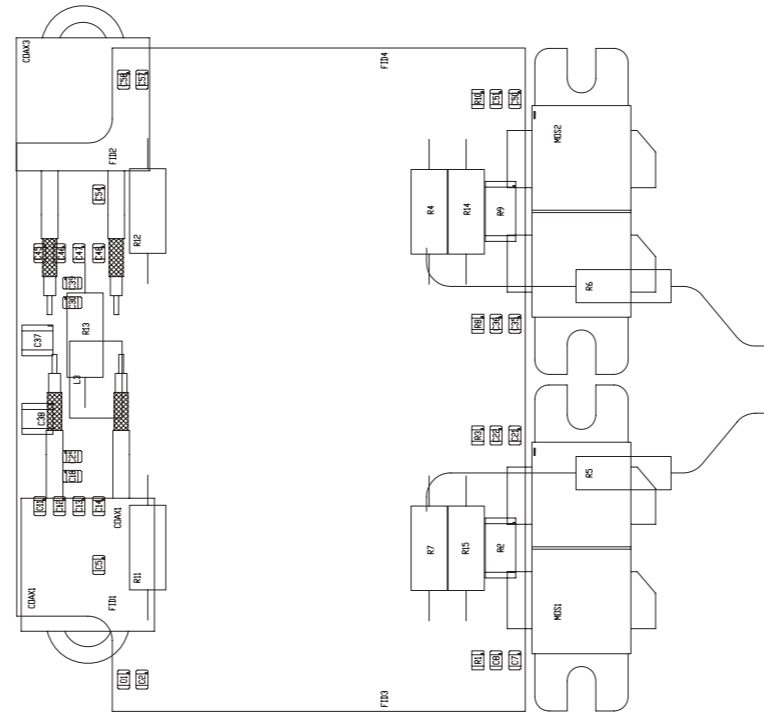


SL010RF2002 FINALE PJ1000 3U LIGHT
 19/09/2007 Revision: 1.0
 Gasperini Luca

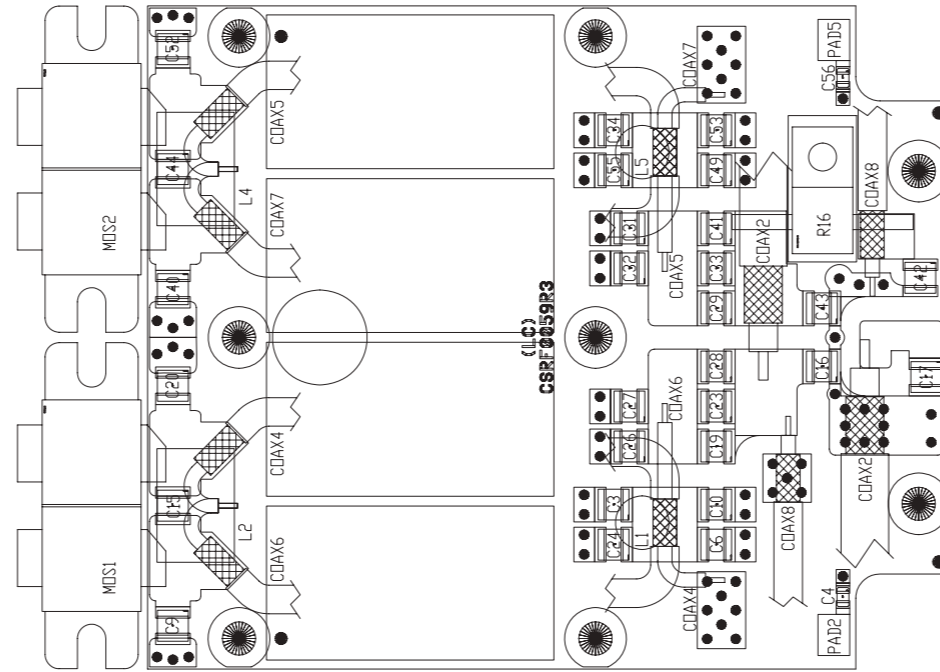
Item	Quantity	Reference	Part
1	1	COAX1	120mm RG178
2	2	COAX2, COAX3	120 mm 25 ohm
3	2	COAX5, COAX4	240 mm 25 ohm
4	1	COAX7	120 mm RG 303
5	1	C1	2,7 pF
6	2	C4, C2	100 pF
7	1	C5	47 pF
8	1	C6	150 pF
9	1	C7	470 nF
10	7	C8, C9, C11, C13, C14, C26, C28	470 pF
11	1	C10	470p F
12	1	C12	NC
13	5	C16, C17, C19, C21, C29	1 nF
14	1	C18	10 k NTC 0805
15	1	C27	680 nF 250 V
16	1	C30	4,7 nF
17	1	C31	22 pF
18	1	D1	6V8 1 W
19	3	D2, D3, D4	4004
20	4	FIX1, FIX2, FIX5, FIX8	FIX55
21	7	FIX3, FIX4, FIX9, FIX10, FIX11, FIX12, FIX13	FIX35
22	1	FIX6	Foro M3 in alto a destra
23	1	FIX7	Foro centrale del pallet
24	1	FST1	FASTON VERT.
25	1	L1	filo 2 mm in ferrite
26	1	L2	6 sp. 1mm d. 4,5
27	1	L3	Link a U 60 mm d. 12 mm
28	1	L4	10 sp 2 mm d. 6 mm
29	1	L5	Link a U 40 mm d. 11 mm
30	3	PZ1, PZ2, PZ3	Piaz.
31	1	Q1	1/2 SD2942
32	1	Q2	1/2 SD2942
33	1	RV1	1 k
34	2	R2, R1	22 R 1 W
35	1	R3	100 ohm
36	1	R4	270 ohm
37	1	R5	1 k
38	1	R6	8k2
39	3	R9, R10, R11	120 ohm
40	1	R13	1,5 k
41	1	R15	1 nF 1206
42	2	R16, R17	2,2 ohm 2512
43	2	TL2, TL1	20x7 mm
44	2	TL3, TL4	10x7 mm
43	1	CS1	CSR0031R2

	NOME PROGETTO: TEX1000LCD	NOME PARTE: FINALE TEX/PJ1000 3U
	AUTORE: L.GASPERINI	DATA: 20/09/2007 REVISIONE: 1.0 SCALA: 1:1 SIZE: A4 PAGINA: 1 DI 1
ARCHIVIAZIONE ELETTRONICA: "CARTELLA RILASCIATI" SU "UTSRV"	CODICE PROGETTO: 010	CODICE DISEGNO: SL010RF1002
MATERIALE: <>	TRATTAMENTO: <>	PROFILO: <> STATO: ESECUTIVO





NOME PROGETTO: P14000M-C	NOME PARTE: PALLET RF 500W INPUT
AUTORE: M. UCCELLI	DATA: 09/01/07
ARCHIVIAZIONE ELETTRONICA: "CARTELLA RILASCIATI" SU "UTSRV"	REVISIONE: 1.0
MATERIALE: <>	SCALA: 1:1
TRATTAMENTO: <>	SIZE: A4
PROFILO: <>	PAGINA: 1 DI 1
STATO: ESECUTIVO	CODICE DISEGNO: SL046RF1102



NOME PROGETTO: PJ4000M-C	NOME PARTE: PALLET RF 500W OUTPUT
AUTORE: M. UCELLI	DATA: 09/01/07
ARCHIVIAZIONE ELETTRONICA: "CARTELLA RILASCIATI" SU "UTSRV"	REVISIONE: 1.0
MATERIALE: <>	SCALA: 1:1
TRATTAMENTO: <>	SIZE: A4
PROFILO: <>	PAGINA: 1 DI 1
STATO: ESECUTIVO	CODICE DISEGNO: SL046RF1002

Pallet 500W
 SL046RF1002
 Revision: 0.1
 PJ4000M-C
 046
 Mauro Ucelli / Paolo Carone
 09/01/07

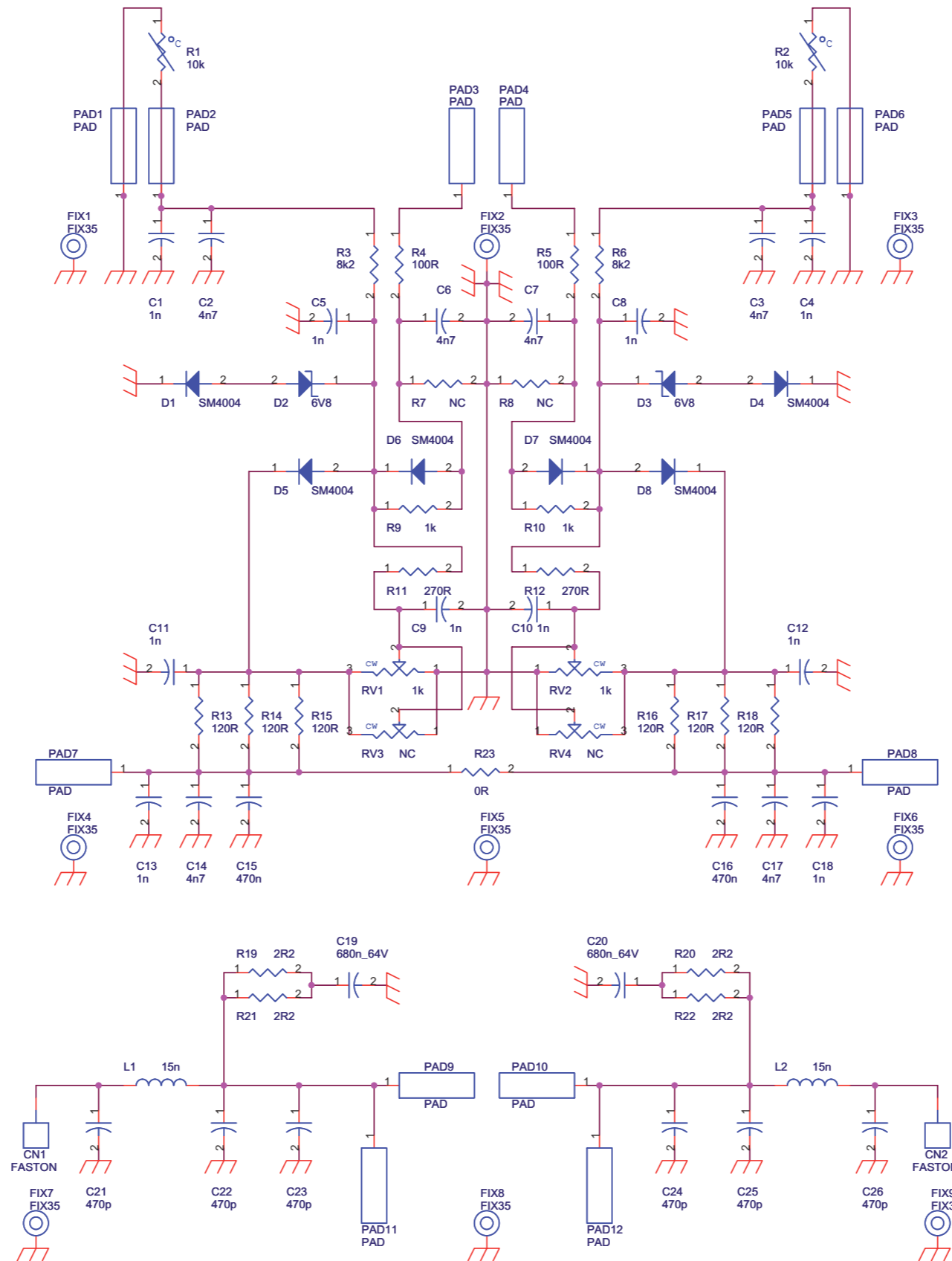
Item	Quantity	Reference	Part	Description
1	2	COAX1,COAX3	COAX_U_LINE	Cavo coax ad U
2	6	COAX2,COAX4,COAX5,COAX6,COAX7,COAX8	COAX_LINE	Cavo coax
3	1	CS1	CSRF0058R2	Circuito stampato
4	1	CS2	CSRF0059R3	Circuito stampato
5	1	CS3	CSRF0062V2R2	Circuito stampato
6	1	CS4	CSRF0063R2	Circuito stampato
7	17	C1,C2,C7,C8,C11,C18,C21,C22,C25,C30,C35,C39,C45,C50,C51,C57,C58	NC	Cond. SMD 0805 COG
8	6	C3,C6,C10,C49,C53,C55	470p	Cond. SMD 1212 HQ
9	2	C4,C56	NC	Cond. SMD 0805
10	4	C5,C12,C46,C54	47p	Cond. SMD 0805 COG
11	11	C9,C15,C16,C17,C20,C27,C32,C40,C42,C44,C52	NC	Cond. SMD 1212 HQ
12	4	C13,C14,C47,C48	100p	Cond. SMD 0805 COG
13	6	C19,C23,C28,C29,C33,C41	47p	Cond. SMD 1212 HQ
14	2	C24,C34	100p	Cond. SMD 1212 HQ
15	2	C26,C31	10p	Cond. SMD 1212 HQ
16	1	C36	NC	Cond. SMD 0805 COG
17	2	C37,C38	NC	Cond. SMD 1212 HQ
18	1	C43	27p	Cond. SMD 1212 HQ
19	4	FID1,FID2,FID3,FID4	FID	Fiducial CS
20	4	FID5,FID6,FID7,FID8	FID	Fiducial CS
21	2	L1,L5	150nH	Induttanza cilindrica
22	2	L2,L4	35nH	Induttanza cilindrica
23	1	L3	NC	Induttanza cilindrica
24	2	MOS1,MOS2	BLF278	PP Power mosfet RF
25	3	PAD1,PAD4,PAD6	PAD	
26	3	PAD2,PAD3,PAD5	PAD	
27	2	R1,R10	47k	Res. SMD 0805
28	2	R2,R9	NC	Res. SMD 2512 1%
29	2	R3,R8	NC	Res. SMD 0805
30	4	R4,R7,R14,R15	10R	Res. 2W
31	2	R5,R6	820R	Res. 2W
32	2	R11,R12	NC	Res. 2W
33	1	R13	47R	Res. 2W
34	1	R16	50R	50H 60W HIGH POWER
35	8	TL1,TL3,TL5,TL7,TL9,TL11,TL13,TL15	TLINE_L	Linea strip CS
36	8	W1,W3,W5,W7,W9,W11,W13,W15	WIRE	Filo a saldare

Pallet 500W
 SL046RF1002
 Revision: 1.0
 PJ4000M-C
 046
 Mauro Ucelli / Paolo Carone
 09/01/07

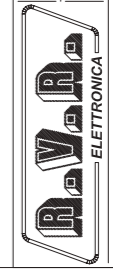
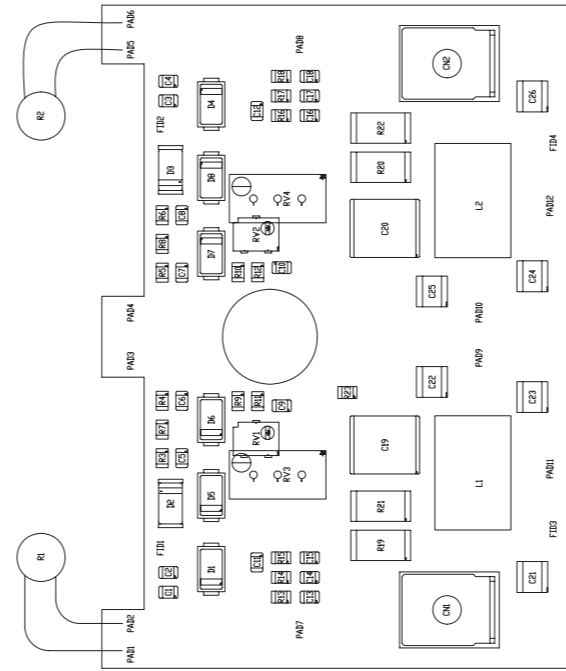
Item	Quantity	Reference	Part	Description
1	2	COAX1,COAX3	COAX_U_LINE	Cavo coax ad U
3	1	CS1	CSRF0058R2	Circuito stampato
5	1	CS3	CSRF0062V2R2	Circuito stampato
6	1	CS4	CSRF0063R2	Circuito stampato
7	17	C1,C2,C7,C8,C11,C18,C21,C22,C25,C30,C35,C39,C45,C50,C51,C57,C58	NC	Cond. SMD 0805 COG
10	4	C5,C12,C46,C54	47p	Cond. SMD 0805 COG
12	4	C13,C14,C47,C48	100p	Cond. SMD 0805 COG
16	1	C36	NC	Cond. SMD 0805 COG
17	2	C37,C38	NC	Cond. SMD 1212 HQ
19	4	FID1,FID2,FID3,FID4	FID	Fiducial CS
23	1	L3	NC	Induttanza cilindrica
25	3	PAD1,PAD4,PAD6	PAD	
27	2	R1,R10	47k	Res. SMD 0805
28	2	R2,R9	NC	Res. SMD 2512 1%
29	2	R3,R8	NC	Res. SMD 0805
30	4	R4,R7,R14,R15	10R	Res. 2W
31	2	R5,R6	820R	Res. 2W
32	2	R11,R12	NC	Res. 2W
33	1	R13	47R	Res. 2W
35	8	TL1,TL3,TL5,TL7,TL9,TL11,TL13,TL15	TLINE_L	Linea strip CS
36	8	W1,W3,W5,W7,W9,W11,W13,W15	WIRE	Filo a saldare

Pallet 500W
 SL046RF1002
 Revision: 1.0
 PJ4000M-C
 046
 Mauro Ucelli / Paolo Carone
 09/01/07

Item	Quantity	Reference	Part	Description
2	6	COAX2,COAX4,COAX5,COAX6,COAX7,COAX8	COAX_LINE	Cavo coax
4	1	CS2	CSRF0059R3	Circuito stampato
8	6	C3,C6,C10,C49,C53,C55	470p	Cond. SMD 1212 HQ
9	2	C4,C56	NC	Cond. SMD 0805
11	11	C9,C15,C16,C17,C20,C27,C32,C40,C42,C44,C52	NC	Cond. SMD 1212 HQ
13	6	C19,C23,C28,C29,C33,C41	47p	Cond. SMD 1212 HQ
14	2	C24,C34	100p	Cond. SMD 1212 HQ
15	2	C26,C31	10p	Cond. SMD 1212 HQ
18	1	C43	27p	Cond. SMD 1212 HQ
20	4	FID5,FID6,FID7,FID8	FID	Fiducial CS
21	2	L1,L5	150nH	Induttanza cilindrica
22	2	L2,L4	35nH	Induttanza cilindrica
24	2	MOS1,MOS2	BLF278	PP Power mosfet RF
26	3	PAD2,PAD3,PAD5	PAD	
34	1	R16	50R	50H 60W HIGH POWER



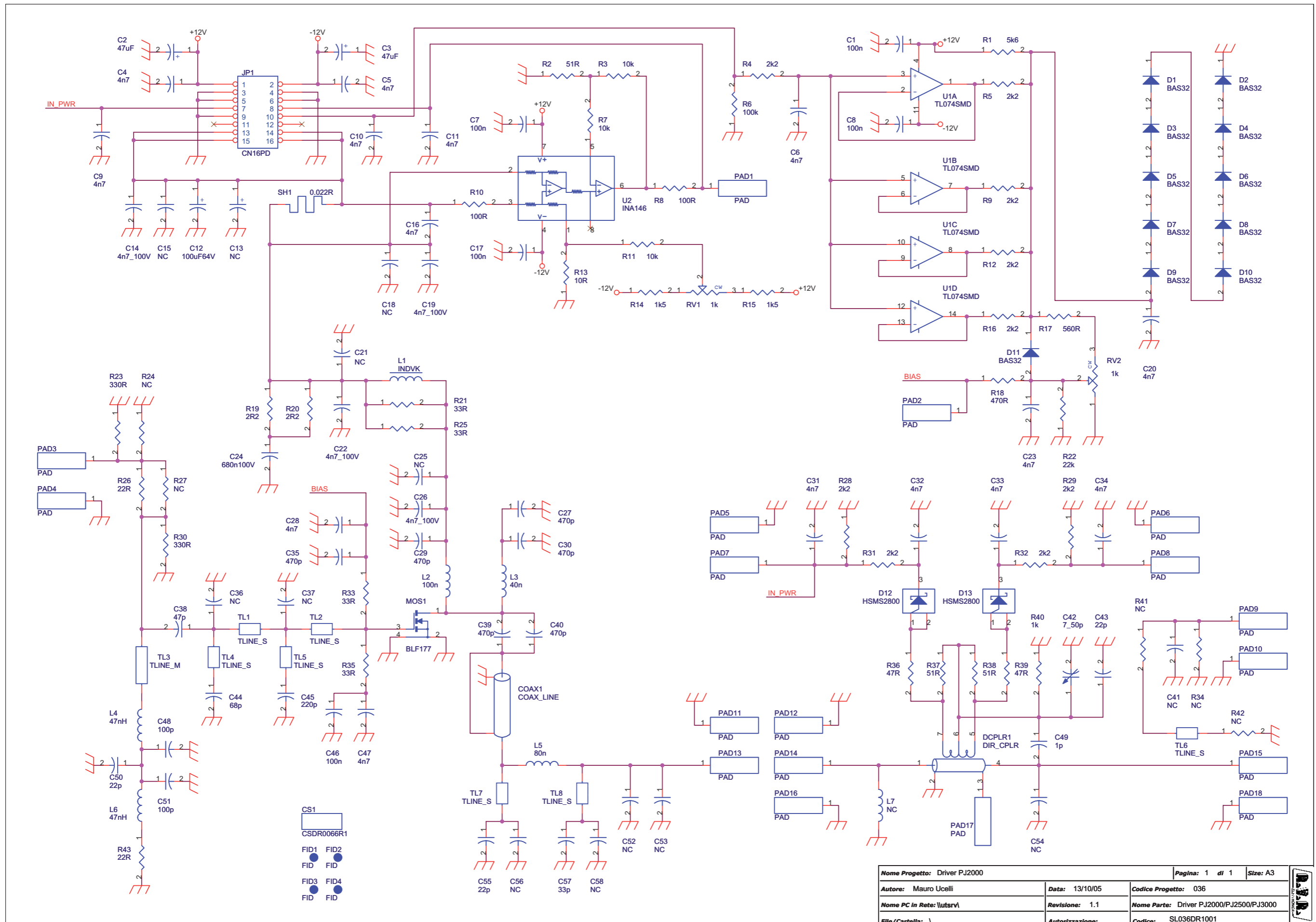
Nome Progetto: PJ4000M-C		Pagina: 1 di 1	Size: A3
Autore: Mauro Ucelli	Data: 11/07/06	Codice Progetto: 046	
Nome PC In Rete: \UTSRV\ Rilasciati	Revisione: 1.1	Nome Parte: Bias Board Pallet 500W	
File/Cartella: \	Autorizzazione:	Codice: SL046BI1001	



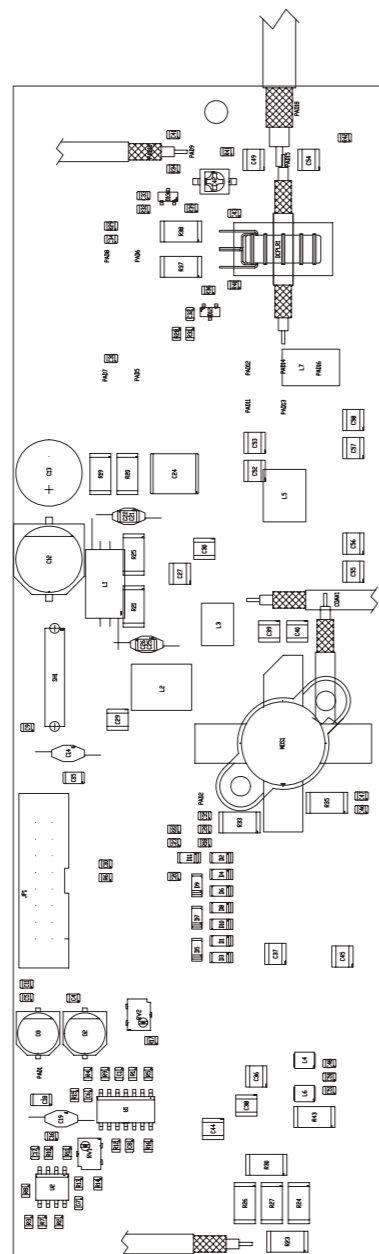
NOME PROGETTO: PJ4000M-C	NOME PARTE: SCHEDA BIAS PALLET 500W
AUTORE: M. UCELLI	DATA: 12/06/2006
ARCHIVIAZIONE ELETTRONICA: "CARTELLA RILASCIATI" SU "UTSRV"	REVISIONE: 1.0
MATERIALE: <>	SCALA: 1:1
	SIZE: A4
	PAGINA: 1 DI 1
	CODICE PROGETTO: 046
	CODICE DISEGNO: SL046BI1001
	TRATTAMENTO: <>
	PROFILO: <>
	STATO: ESECUTIVO

Bias Board Pallet 500W
 SL046BI1001
 Revision: 1.1
 PJ4000M-C
 046
 Mauro Ucelli
 11/07/06

Item	Quantity	Reference	Part	Description	Code1
1	2	CN1,CN2	FASTON		
2	1	CS1	CSRF0064R2	Circuito stampato	CS
3	10	C1,C4,C5,C8,C9,C10,C11, C12,C13,C18	1n	Cond. SMD 0805 COG	CCC085102GCC
4	6	C2,C3,C6,C7,C14,C17	4n7	Cond. SMD 0805	CCC085472KXC
5	2	C15,C16	470n	Cond. SMD 0805	CCC085474KXB
6	2	C19,C20	680n_64V	Cond. SMD 2824	CPE684K101O
7	6	C21,C22,C23,C24,C25,C26	470p	Cond. SMD 1212 HQ	CHQ471JA201
8	6	D1,D4,D5,D6,D7,D8	SM4004	Diodo SMD cont. SMA	
9	2	D2,D3	6V8	SMD MELF Zener Diode	
10	4	FID1,FID2,FID3,FID4	FID	Fiducial CS	
11	9	FIX1,FIX2,FIX3,FIX4,FIX5, FIX6,FIX7,FIX8,FIX9	FIX35	Foro fissaggio 3.5mm	
12	2	L1,L2	15n	Ponticello di filo D.1mm lungo 20mm	
13	12	PAD1,PAD2,PAD3,PAD4,PAD5, PAD6,PAD7,PAD8,PAD9, PAD10,PAD11,PAD12	PAD		
14	2	RV1,RV2	1k	Trimm. multi SMD PVG5 Murata	RV
15	2	RV3,RV4	NC	Trimmer Rg V 3296W	
16	2	R1,R2	10k	NTC 2 wires	RNTC005K103K
17	2	R3,R6	8k2	Res. SMD 0805	RCH085F008K2
18	2	R4,R5	100R	Res. SMD 0805	RCH085F0100H
19	2	R7,R8	NC	Res. SMD 0805	
20	2	R9,R10	1k	Res. SMD 0805	RCH085F0001K
21	2	R11,R12	270R	Res. SMD 0805	RCH085F0270H
22	6	R13,R14,R15,R16,R17,R18	120R	Res. SMD 0805	RCH085F0120H
23	4	R19,R20,R21,R22	2R2	Res. SMD 2512	RCH252J002H2
24	1	R23	0R	Res. SMD 0805	RCH085F0000H



Nome Progetto: Driver PJ2000		Pagina: 1 di 1		Size: A3
Autore: Mauro Ucelli		Data: 13/10/05	Codice Progetto: 036	
Nome PC in Rete: \lutsrv\		Revisione: 1.1	Nome Parte: Driver PJ2000/PJ2500/PJ3000	
File/Cartella: \		Autorizzazione:	Codice: SL036DR1001	



Driver PJ2000/PJ2500/PJ3500
 SL036DR1001
 Revision: 1.1
 Driver PJ2000
 036
 Mauro Ucelli
 13/10/2005

Item	Quantity	Reference	Part	Description	Code1
1	1	COAX1	COAX LINE	Coax 25H taglio 480mm 10 spire su totoide D.24	
2	1	CS1	CSDR0066R1	Circuito stampato	CSDR0066R1
3	5	C1,C7,C8,C17,C46	100n	Cond. SMD 0805	CCC085104KXC
4	2	C3,C2	47uF	Cond. Elett. SMD d. 6.3mm	CES476C160A
5	15	C4,C5,C6,C9,C10,C11,C16,C20,C23,C28,C31,C32,C33,C34,C47	4n7	Cond. SMD 0805	CCC085472KXC
6	1	C12	100uF64V	Cond. Elett. SMD d. 10mm	CES107DE630
7	1	C13	NC	Cond. Elettr. Dia 10 P5.08	
8	4	C14,C19,C22,C26	4n7_100V	Cond. multistrato p 5mm	CMS472MC101
9	4	C15,C18,C21,C25	NC	Cond. SMD 1206	
10	1	C24	680n100V	Cond. SMD 2824	CPE684K1010
11	5	C27,C29,C30,C39,C40	470p	Cond. SMD 1212 HQ	CHQ471JA201
12	1	C35	470p	Cond. SMD 0805	CCC085471JCC
13	7	C36,C37,C52,C53,C54,C56,C58	NC	Cond. SMD 1212 HQ	
14	1	C38	47p	Cond. SMD 1212 HQ	CHQ470JA501
15	1	C41	NC	Cond. SMD 0805 COG	
16	1	C42	7_50p	Comp. var. Murata TZB4A	CVF500D4.5SM
17	1	C43	22p	Cond. SMD 0805	CCC085220JCC
18	1	C44	68p	Cond. SMD 1212 HQ	CHQ680JA501
19	1	C45	220p	Cond. SMD 1212 HQ	CHQ221JA201
20	2	C48,C51	100p	Cond. SMD 0805 COG	CCC085101JCC
21	1	C49	1p	Cond. SMD 1212 HQ	CHQ010CA501
22	1	C50	22p	Cond. SMD 0805 COG	CCC085220JCC
23	1	C55	22p	Cond. SMD 1212 HQ	CHQ220JA501
24	1	C57	33p	Cond. SMD 1212 HQ	CHQ330JA501
25	1	DCPLR1	DIR_CPLR	Accopp. direz.	KITFTR1010SP
26	11	D1,D2,D3,D4,D5,D6,D7,D8,D9,D10,D11	BAS32	MINIMELF SMD Diode	DISBAS32MINI
27	2	D13,D12	HSMS2800	Diode Shottky SOT23	DISHSMS2800
28	4	FID1,FID2,FID3,FID4	FID	Fiducial CS	
29	1	JP1	CN16PD	Connettore 16 poli Fiat cs	CNTMCS16A
30	1	L1	INDVK	Induttanza cilindrica VK200	IMPVK00A
31	1	L2	100n	5 spire filo 1mm avvolte su 6mm lungh. 10mm	
32	1	L3	40n	2 spire filo 1mm avvolte su 6mm lungh. 4mm	
33	2	L4,L6	47nH	Induttanza SMD 3225 (1210)	IMP47NS120
34	1	L5	80n	4 spire filo 1mm avvolte su 6mm lungh. 7mm	
35	1	L7	NC	Induttanza cilindrica	
36	1	MOS1	BLF177	Power mosfet RF	TRNBLF177
37	18	PAD1,PAD2,PAD3,PAD4,PAD5,PAD6,PAD7,PAD8,PAD9,PAD10,PAD11,PAD12,PAD13,PAD14,PAD15,PAD16,PAD17,PAD18	PAD		
38	2	RV1,RV2	1k	Trimm. multi SMD PVG5 Murata	RVTMLK0001VS
39	1	R1	5k6	Res. SMD 0805	RCH085F005K6
40	1	R2	51R	Res. SMD 0805	RCH085F0051H
41	3	R3,R7,R11	10k	Res. SMD 0805	RCH085F0010K
42	9	R4,R5,R9,R12,R16,R28,R29,R31,R32	2k2	Res. SMD 0805	RCH085F002K2
43	1	R6	100k	Res. SMD 0805	RCH063F0100K
44	2	R8,R10	100R	Res. SMD 0805	RCH085F0100H
45	1	R13	10R	Res. SMD 0805	RCH085F0010H
46	2	R14,R15	1k5	Res. SMD 0805	RCH085F001K5
47	1	R17	560R	Res. SMD 0805	RCH085F0560H
48	1	R18	470R	Res. SMD 0805	RCH085F0470H
49	2	R20,R19	2R2	Res. SMD 2512 1%	RCH252J002H2
50	4	R21,R25,R33,R35	33R	Res. SMD 2512 1%	RCH252J0033H
51	1	R22	22k	Res. SMD 0805	RCH085F0022K
52	2	R30,R23	330R	Res. SMD 2512 1%	RCH252F0330H
53	2	R24,R27	NC	Res. SMD 2512 1%	
54	2	R43,R26	22R	Res. SMD 2512 1%	RCH252F0022H
55	3	R34,R41,R42	NC	Res. SMD 0805	
56	2	R39,R36	47R	Res. SMD 0805	RCH085F0047H
57	2	R38,R37	51R	Res. SMD 2512 1%	RCH252J0051H
58	1	R40	1k	Res. SMD 0805	RCH085F0001K
59	1	SH1	0.022R	Shunt passo 15.2mm fori 2mm	

	NOME PROGETTO: DRIVER LOW POWER	NOME PARTE: DRIVER PJ2K/2K5/3K
	AUTORE: UCELLI	DATA: 13/10/2005 REVISIONE: 1.1 SCALA: 1:1 SIZE: A4 PAGINA: 1 DI 1
ARCHIVIAZIONE ELETTRONICA: "CARTELLA PROGETTI" SU "UT_SRV"		CODICE PROGETTO: 036 CODICE DISEGNO: SL036DR1001
MATERIALE: <>	TRATTAMENTO: <>	PROFILO: <> STATO: ESECUTIVO

SL036DR1001

60	7	TL1,TL2,TL4,TL5,TL6,TL7, TL8	TLINE_S	Linea strip CS	
61	1	TL3	TLINE_M	Linea strip CS	
62	1	U1	TL074SMD	Quad Op. SMD SO14	CILTL074SMD
63	1	U2	INA146	HV Diff. Amp. Adj	CILINA146

