



# TEX702LCD

TECHNICAL ANNEX  
VOLUME 2



R.V.R. Elettronica S.r.l.  
Via del Fonditore, 2 / 2c  
Zona Industriale Roveri - 40138 Bologna - Italy  
Phone: +39 051 6010506 - Fax: +39 051 6011104  
e-mail: info@rvr.it - web: http://www.rvr.it

Member of CISQ Federation



CERTIFIED MANAGEMENT SYSTEM  
ISO 9001



The RVR Logo, and others referenced RVR products and services are trademarks of RVR Elettronica in Italy, other countries or both. RVR © 1998 all rights reserved.  
All other trademarks, trade names or logos used are property of their respective owners.

Manufactured by R.V.R. ELETTRONICA S.r.l. Italy



## Appendix A Piani di montaggio, schemi elettrici, liste componenti / *Component layouts, schematics, bills of material*

Questa parte del manuale contiene i dettagli tecnici riguardanti la costruzione delle singole schede componenti il TEX702LCD. L'appendice è composta dalle seguenti sezioni:

*This part of the manual contains the technical details about the different boards of the TEX702LCD. This appendix is composed of the following sections:*

Description	TEX702LCD	Vers.	Pages
Wiring Diagrams	/	2.2	1
Main Board	SLMA0383R02V01	1.1	3
Stereo Coder Card	SLCTC30V03	1.2	8
15kHz Audio Filter Card	SLAU0469R01V02	1.0	11
Control Card	SLCNTMOS07.700	1.4	14
Power Amplifier	SL237RF5001	1.0	17
Driver Card	SLDR0271R03V04	1.0	20
Low Pass Filter Card	SL175LP2001	1.5	23
Panel Card	SLPC0436R01V01	1.1	23
Power Supply	PSL4424	1.0	29
Telemetry Card	SLTL0509R01V01	1.1	41

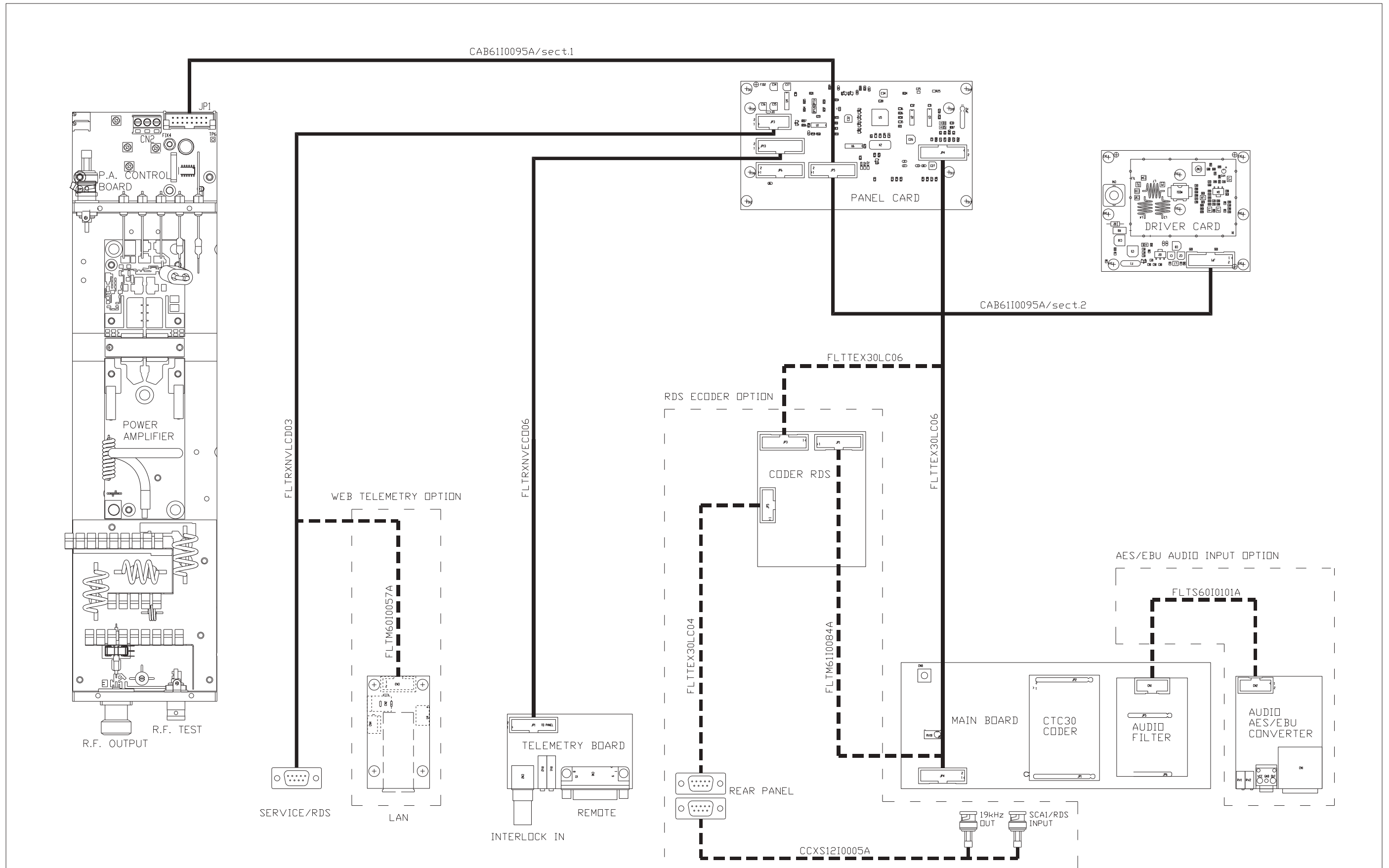
### Document History

Date	Version	Reason	Code	Editor
26/06/2019	2.0	First Release (Version 2)	/	J.H. Berti
01/07/2022	2.1	Wiring Diagrams, SLMA0383R02V01, SLCNTMOS07.700, PSL4424, SL237RF5001, SLDR0271R03V04 & SLTL0509R01V01 Upgrade	/	J.H. Berti
10/03/23	2.2	SLAU0469R01V02 & SL175LP2001 Upgrade	/	J.H. Berti

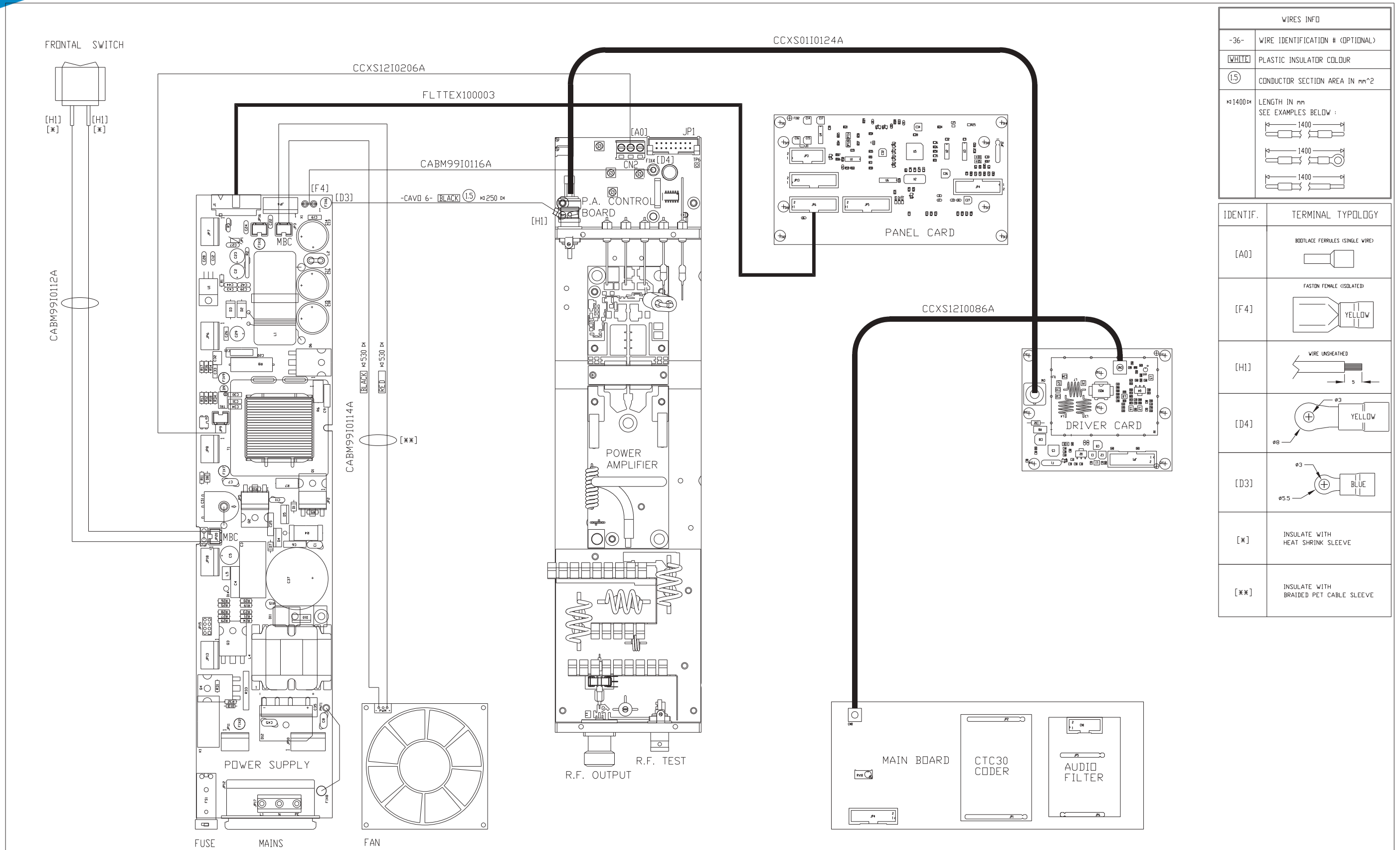
TEX702LCD

Spare Parts Name	Spare Parts Code
Switching power supply	KPSL4424
Mosfet	TRNMRFE6VP61K25
Mosfet with plate	KKTRNMRFE6VS25A
RF final section	SP-FIN175B
Main audio card + PLL + VCO	SP-MBD175A
CPU panel & Display	SP-PAN175A
Driver Card	SP-DRV175A
Telemetry	SP-TLM175A
Fan	VTL9G0824G102





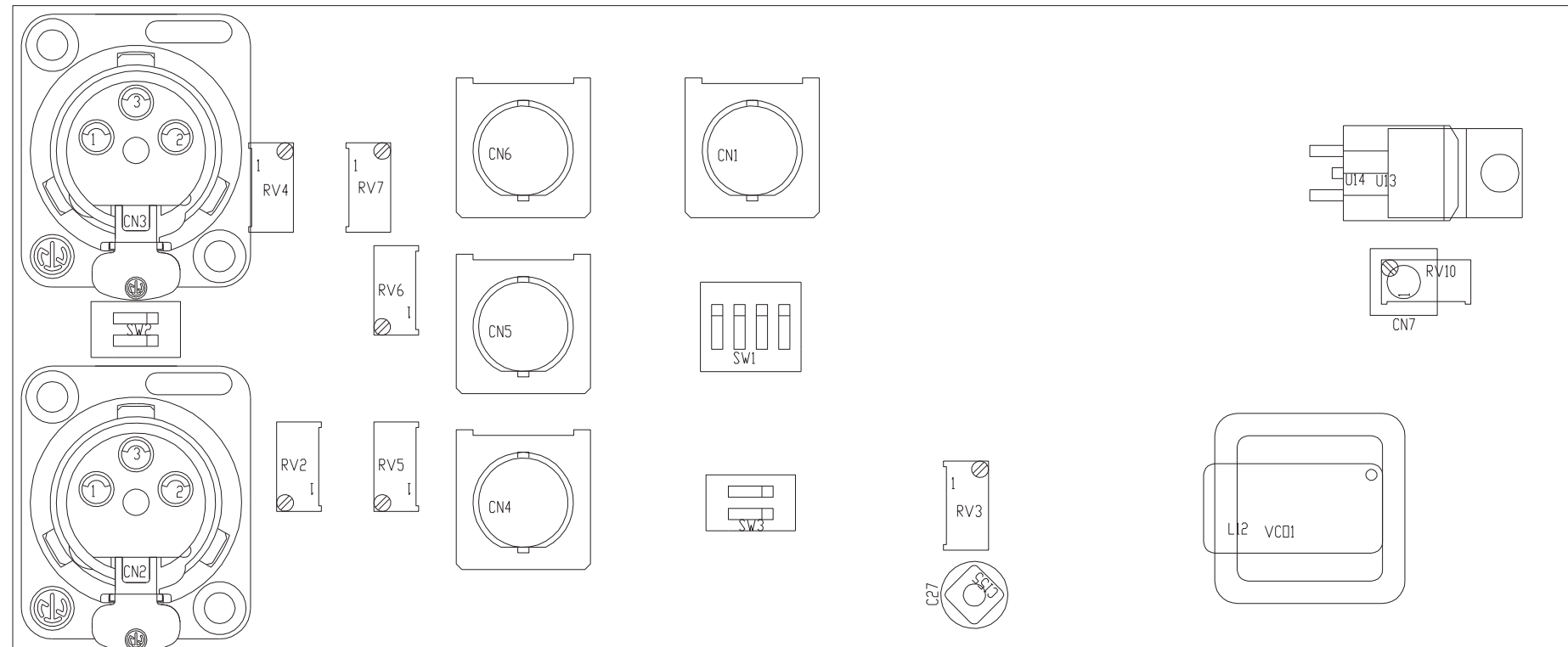
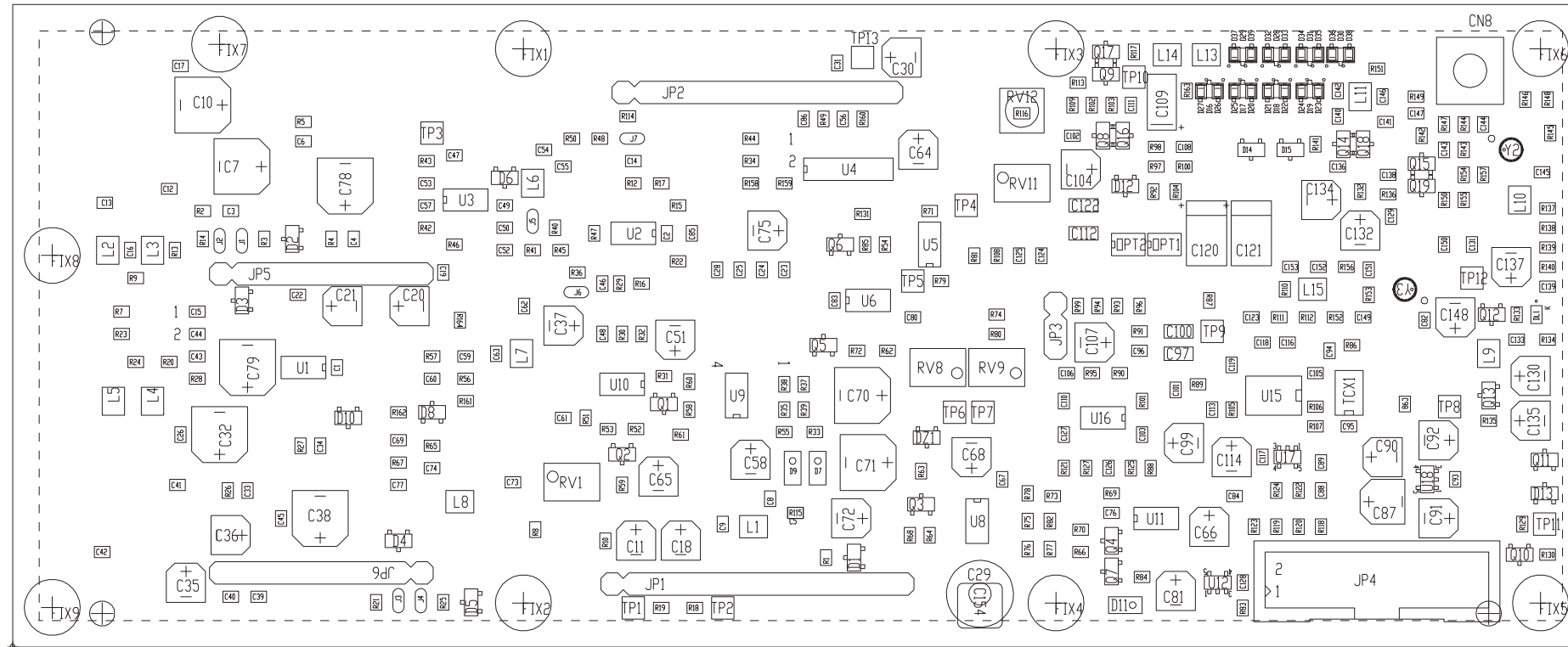
	PRODUCT NAME :	TEX702LCD	PART NAME :	WIRING DIAGRAM	
	DESIGNER :	G. DE DONNO	DATE :	06-11-18	
ARCHIVING :	"RVRUT" SERVER, "RILASCIATI" FOLDER	PROJECT CODE :	175	DOCUMENT CODE :	\
			REVISION :	2.2	
			SCALE :	\	
			SIZE :	A3	
			PAGE :	1 DI 2	



WIRES INFO	
-36-	WIRE IDENTIFICATION # (OPTIONAL)
[WHITE]	PLASTIC INSULATOR COLOUR
(1.5)	CONDUCTOR SECTION AREA IN mm <sup>2</sup>
<math>\approx 1400</math>	LENGTH IN mm SEE EXAMPLES BELOW :
IDENTIF.	TERMINAL TYPOLOGY
[A0]	BOOTLACE FERRULES (SINGLE WIRE) 
[F4]	FASTON FEMALE (ISOLATED) 
[H1]	WIRE UNSHEATHED 
[D4]	
[D3]	
[*]	INSULATE WITH HEAT SHRINK SLEEVE
[**]	INSULATE WITH BRAIDED PET CABLE SLEEVE

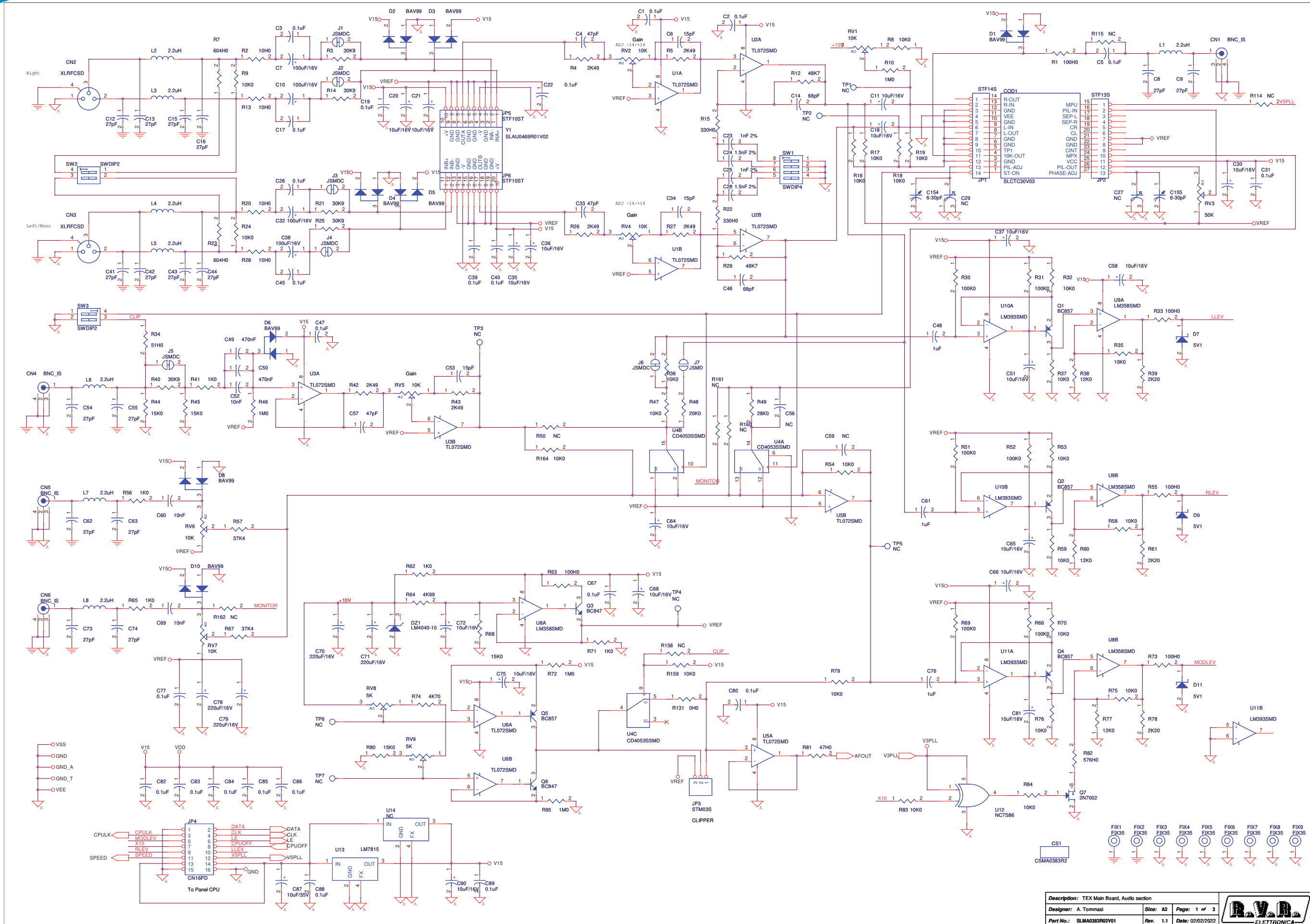
	PRODUCT NAME :	TEX702LCD	PART NAME :	WIRING DIAGRAM	
	DESIGNER :	G. DE DONNO	DATE :	06-11-18	
ARCHIVING :	"RVRUT" SERVER, "RILASCIATI" FOLDER	PROJECT CODE :	175	DOCUMENT CODE :	\
			REVISION :	2.2	
			SCALE :	\	
			SIZE :	A3	
			PAGE :	2 DI 2	





PRODUCT NAME : TEX-LCD	PART NAME : MAIN CARD
DESIGNER : A. TOMMASI	DATE : 18/08/21
ARCHIVING : "RVRUT" SERVER, "RILASCIATI" FOLDER	REVISION : 1.0
PROJECT CODE : <>	SCALE : 1:1
DOCUMENT CODE : SLMA0383R02V01	SIZE : A4
	PAGE : 1 DI 1

SLMA0383R02V01

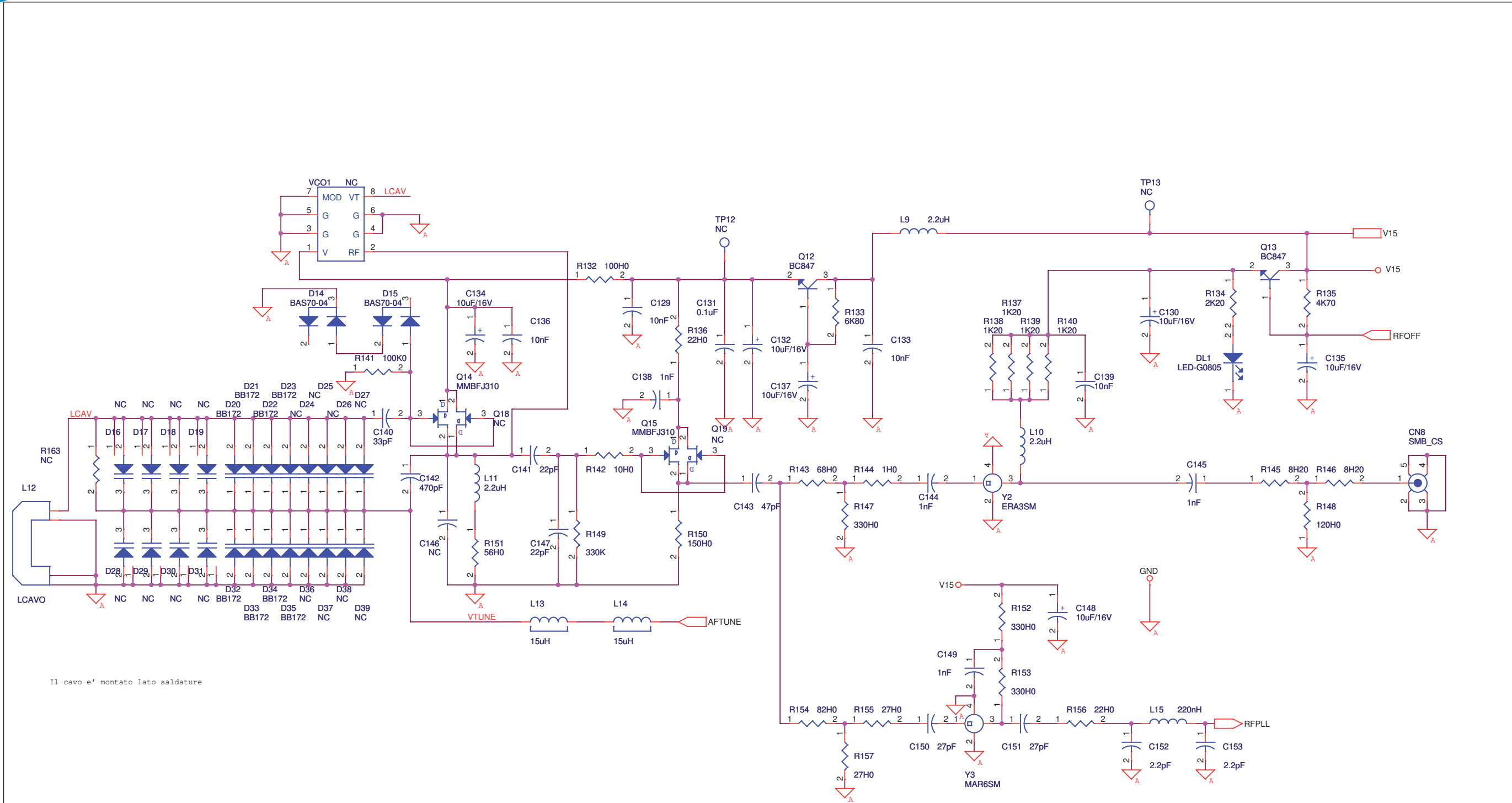


Description: TEX Main Board, Audio section		
Designer: A. Tommasi	Size: A2	Page: 1 of 3
Part No.: SLMA0383R02V01	Rev. 1.1	Date: 02/02/2022









Il cavo e' montato lato saldature

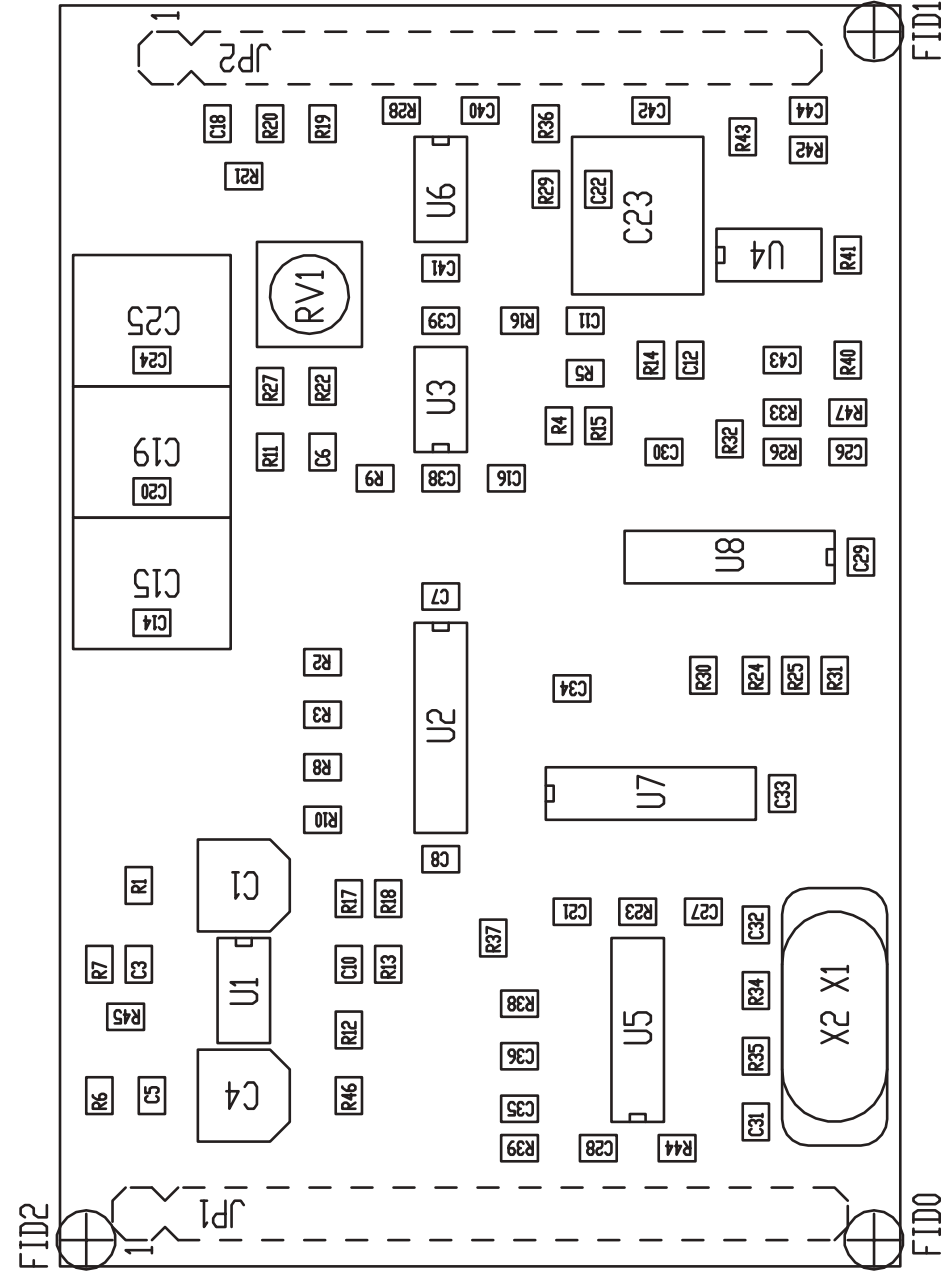
Description: TEX Main Board, VCO section			
Designer: A. Tommasi	Size: A3	Page: 3 of 3	
Part No.: SLMA0383R02V01	Rev. 1.1	Date: 02/02/2022	

SLMA0383R02V01

TEX Main Board Revised: 02/02/2022  
 SLMA0383R02V01 Revision: 1.1  
 A. Tommasi

Item	Quantity	Reference	Part	Description
1	4	CN1, CN4, CN5, CN6	BNC_IS	BNC conn. 10x10 PCB
2	2	CN2, CN3	XLRFCSO	XLR fem. PCB conn.
3	1	CN7	NC	SMB pcb conn.
4	1	CN8	SMB_CS	SMB pcb conn.
5	1	COD1	SLCTC30V03	Stereo coder CTC30
6	1	CS1	CSMA0383R2	PCB
7	36	C1, C2, C3, C5, C17, C19, C22, C26, C31, C39, C40, C45, C47, C67, C77, C80, C82, C83, C84, C85, C86, C88, C89, C93, C95, C98, C102, C103, C106, C108, C111, C113, C118, C127, C128, C131	0.1uF	0805 SMD capacitor
8	4	C4, C33, C57, C143	47pF	0805 SMD capacitor
9	3	C6, C34, C53	15pF	0805 SMD capacitor
10	4	C7, C10, C32, C38	100uF/16V	SMD electr. cap. 6.3mm
11	18	C8, C9, C12, C13, C15, C16, C41, C42, C43, C44, C54, C55, C62, C63, C73, C74, C150, C151	27pF	0805 SMD capacitor
12	30	C11, C18, C20, C21, C30, C35, C36, C37, C51, C58, C64, C65, C66, C68, C72, C75, C81, C90, C91, C92, C99, C104, C107, C114, C130, C132, C134, C135, C137, C148	10uF/16V	Cond. Elett. SMD d. 4mm
13	2	C14, C46	68pF	0805 SMD capacitor
14	2	C23, C25	1nF 2%	0805 SMD capacitor COG
15	2	C24, C28	1.5nF 2%	0805 SMD capacitor COG
16	2	C27, C29	NC	Ceramic comp. dia. 7mm
17	3	C48, C61, C76	1uF	0805 SMD capacitor
18	3	C49, C50, C126	470nF	0805 SMD capacitor
19	8	C52, C60, C69, C105, C129, C133, C136, C139	10nF	0805 SMD capacitor
20	6	C56, C59, C94, C96, C101, C146	NC	0805 SMD capacitor
21	4	C70, C71, C78, C79	220uF/16V	SMD electr. cap. 6.3mm
22	1	C87	10uF/35V	SMD electr. cap. 5mm
23	2	C97, C100	470nF	1206 SMD capacitor
24	1	C109	10uF/16V	SMD tantalum cap. size C
25	1	C110	4.7nF	0805 SMD capacitor
26	2	C112, C122	NC	1206 SMD capacitor
27	8	C116, C117, C119, C123, C138, C144, C145, C149	1nF	0805 SMD capacitor
28	2	C120, C121	47uF/16V	SMD tantalum cap. size D
29	3	C124, C141, C147	22pF	0805 SMD capacitor
30	1	C125	10pF	0805 SMD capacitor
31	1	C140	33pF	0805 SMD capacitor
32	1	C142	470pF	0805 SMD capacitor
33	2	C152, C153	2.2pF	0805 SMD capacitor
34	2	C154, C155	6-30pF	Var. comp. Murata TZB4A
35	1	DL1	LED-G0805	SMD 0805 green led
36	1	DZ1	LM4040-10	SMD SOT23 precision Zener
37	9	D1, D2, D3, D4, D5, D6, D8, D10, D12	BAV99	Dual diode SMD SOT23
38	3	D7, D9, D11	5V1	MINIMELF SMD Zener Diode
39	1	D13	BAV70	Dual diode SMD SOT23
40	2	D14, D15	BAS70-04	Dual diode SMD SOT23
41	8	D16, D17, D18, D19, D28, D29, D30, D31	NC	Dual diode Varicap SMD SOT23
42	8	D20, D21, D22, D23, D32, D33, D34, D35	BB172	Varicap diode SOD323
43	8	D24, D25, D26, D27, D36, D37, D38, D39	NC	Varicap diode SOD323
44	9	FIX1, FIX2, FIX3, FIX4, FIX5, FIX6, FIX7, FIX8, FIX9	FIX35	Fixing hole 3.5mm
45	1	JP1	STF145	Female strip 14 pin
46	1	JP2	STF135	Female strip 13 pin
47	1	JP3	STM035	Male strip 3 pin
48	1	JP4	CN16PD	16 way pcb conn. with holder
49	2	JP5, JP6	STF105T	Male strip 10 pin turned
50	6	J1, J2, J3, J4, J5, J6	JSMDC	2 pad SMD jumper half closed
51	1	J7	JSMO	pad SMD jumper
52	11	L1, L2, L3, L4, L5, L6, L7, L8, L9, L10, L11	2.2uH	SMD inductor 3225 (1210)
53	1	L12	LCAVO	Induttanza a cavo RG
54	2	L13, L14	15uH	SMD inductor 3225 (1210) shielded
55	1	L15	220nH	SMD inductor 3225 (1210)
56	2	OPT1, OPT2	TLP181	Optocoupler SMD SO6
57	4	Q1, Q2, Q4, Q5	BC857	PNP trans. SOT23
58	4	Q3, Q6, Q12, Q13	BC847	NPN trans. SOT23
59	1	Q7	2N7002	Trans. FET SOT23
60	4	Q8, Q9, Q14, Q15	MMBFJ310	Trans. FET SOT23
61	2	Q10, Q11	BCR135	Digital NPN trans. SOT23
62	4	Q16, Q17, Q18, Q19	NC	Trans. FET SOT23
63	2	RV1, RV11	10K	Trimmer Rg V 3269W SMD
64	5	RV2, RV4, RV5, RV6, RV7	10K	Trimmer Rg V 3296W
65	1	RV3	50K	Trimmer Rg V 3296W
66	2	RV8, RV9	5K	Trimmer Rg V 3269W SMD
67	1	RV10	5K	Trimmer Rg V 3296W
68	1	RV12	NC	Trimmer SMD

Item	Quantity	Reference	Part	Description
69	8	R1, R33, R55, R63, R73, R102, R105, R132	100H0	0805 SMD res.
70	5	R2, R13, R20, R28, R142	10H0	0805 SMD res.
71	5	R3, R14, R21, R25, R40	30K9	0805 SMD res.
72	6	R4, R5, R26, R27, R42, R43	2K49	0805 SMD res.
73	2	R7, R23	604H0	0805 SMD res.
74	28	R8, R9, R16, R17, R18, R19, R24, R32, R35, R36, R37, R47, R53, R54, R58, R59, R70, R75, R76, R79, R83, R84, R92, R106, R108, R121, R159, R164	10K0	0805 SMD res.
75	4	R10, R46, R72, R85	1M0	0805 SMD res.
76	2	R12, R29	48K7	0805 SMD res.
77	5	R15, R22, R147, R152, R153	330H0	0805 SMD res.
78	8	R30, R31, R51, R52, R66, R69, R89, R141	100K0	0805 SMD res.
79	1	R34	51H0	0805 SMD res.
80	3	R38, R60, R77	12K0	0805 SMD res.
81	4	R39, R61, R78, R134	2K20	0805 SMD res.
82	11	R41, R56, R62, R65, R71, R93, R96, R98, R99, R129, R130	1K0	0805 SMD res.
83	4	R44, R45, R68, R80	15K0	0805 SMD res.
84	1	R48	20K0	0805 SMD res.
85	1	R49	28K0	0805 SMD res.
86	11	R50, R107, R112, R114, R115, R117, R158, R160, R161, R162, R163	NC	0805 SMD res.
87	2	R57, R67	37K4	0805 SMD res.
88	1	R64	4K99	0805 SMD res.
89	8	R74, R100, R101, R109, R118, R119, R120, R135	4K70	0805 SMD res.
90	1	R81	47H0	0805 SMD res.
91	1	R82	576H0	0805 SMD res.
92	2	R86, R131	0H0	0805 SMD res.
93	1	R87	560H0	0805 SMD res.
94	1	R88	220H0	0805 SMD res.
95	2	R90, R149	330K0	0805 SMD res.
96	3	R91, R97, R125	470K0	0805 SMD res.
97	2	R94, R95	47K0	0805 SMD res.
98	1	R103	3K30	0805 SMD res.
99	1	R104	270K0	0805 SMD res.
100	4	R110, R111, R136, R156	22H0	0805 SMD res.
101	2	R113, R150	150H0	0805 SMD res.
102	1	R116	249H0	0805 SMD res.
103	5	R122, R123, R124, R127, R133	6K80	0805 SMD res.
104	4	R137, R138, R139, R140	1K20	0805 SMD res.
105	1	R143	68H0	0805 SMD res.
106	1	R144	1H0	0805 SMD res.
107	2	R145, R146	8H20	0805 SMD res.
108	1	R148	120H0	0805 SMD res.
109	1	R151	56H0	0805 SMD res.
110	1	R154	82H0	0805 SMD res.
111	2	R155, R157	27H0	0805 SMD res.
112	1	SW1	SWDIP4	4 ways switch slide dip
113	2	SW2, SW3	SWDIP2	2 ways switch slide dip
114	1	TCX1	10MHz	TCXO SMD 5x3.2mm
115	13	TP1, TP2, TP3, TP4, TP5, TP6, TP7, TP8, TP9, TP10, TP11, TP12, TP13	NC	Test point
116	5	U1, U2, U3, U5, U6	TL072SMD	Dual Op. SMD SO8
117	1	U4	CD4053SMD	Analog Switch SMD SO16
118	2	U8, U9	LM358SMD	Dual Op. SMD SO8
119	2	U10, U11	LM393SMD	Dual Comp. SMD SO8
120	2	U12, U17	NCT586	XOR Port
121	1	U13	LM7815	Voltage reg. TO220
122	1	U14	NC	Voltage reg. SMD D2PAK
123	1	U15	MB15E03	Integrated PLL
124	1	U16	TLC272	Dual Op. SMD SO8
125	1	U18	MC78LC33	SOT23-5 voltage regulator"
126	1	VCO1	NC	VCO SKY 8 pin FVC7MD
127	1	Y1	SLAU0469R01V02	Audio stereo filter
128	1	Y2	ERA35M	Hybrid MAR/ERA
129	1	Y3	MAR65M	Hybrid MAR/ERA



NOME PROGETTO: PTX-LCD  
AUTORE: A. TOMMASI

NOME PARTE: CODER CARD  
DATA: 08/04/2004

REVISIONE: 1.0  
SCALA: 2:1  
SIZE: A4  
PAGINA: 1 DI 1

ARCHIVIAZIONE ELETTRONICA: \\VRUT\

CODICE PROGETTO: 011

CODICE DISEGNO: SLCTC30V03

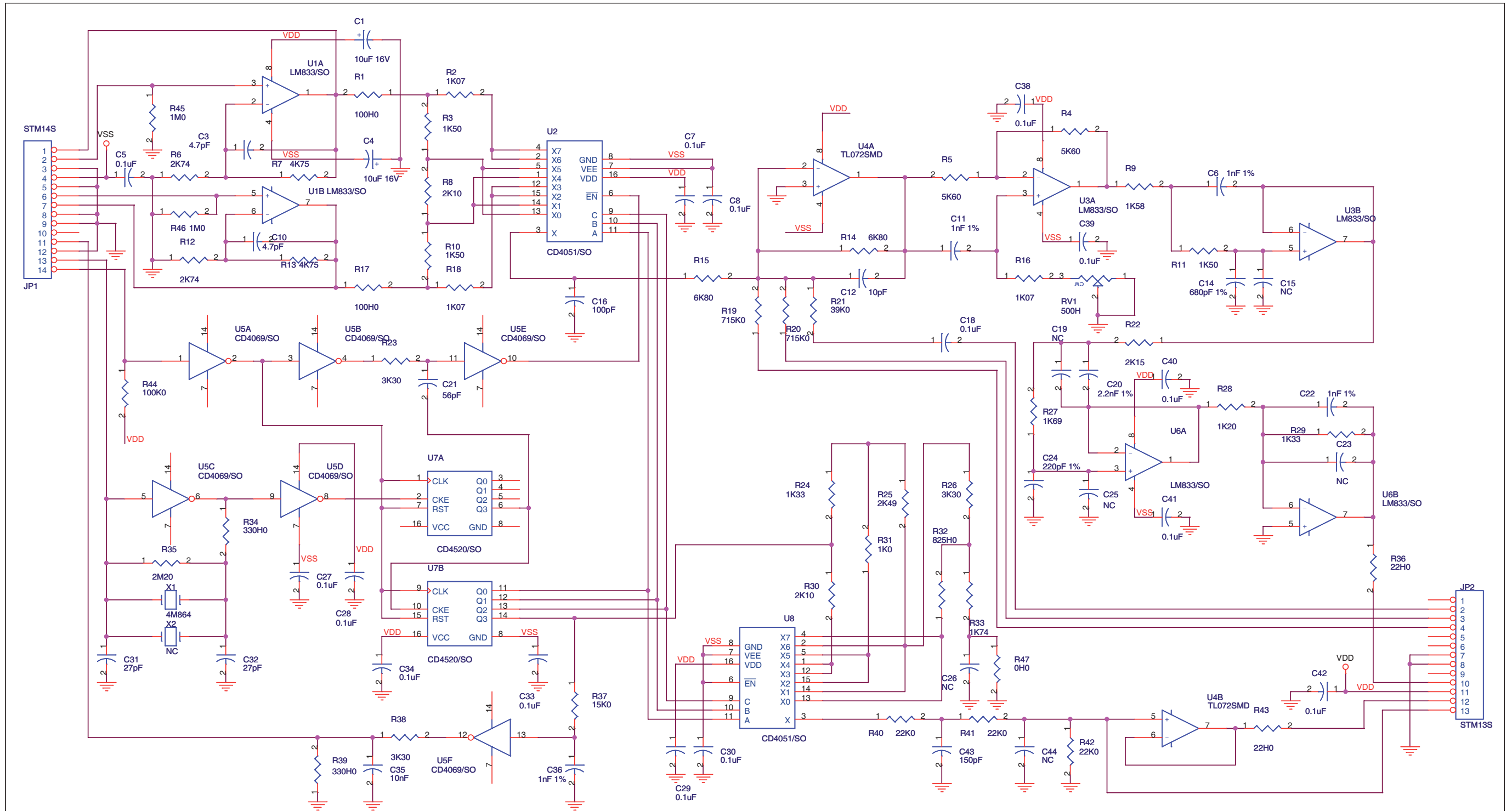
MATERIALE:

TRATTAMENTO:

PROFILO:

STATO: ESECUTIVO

SLCTC30V03



CS1  
CSCTC30V03

Description: Coder Card		
Designer: A. Tommasi	Size: A3	Page: 1 of 1
Part No.: SLCTC30V03	Rev. 1.2	Date: 26/01/2015



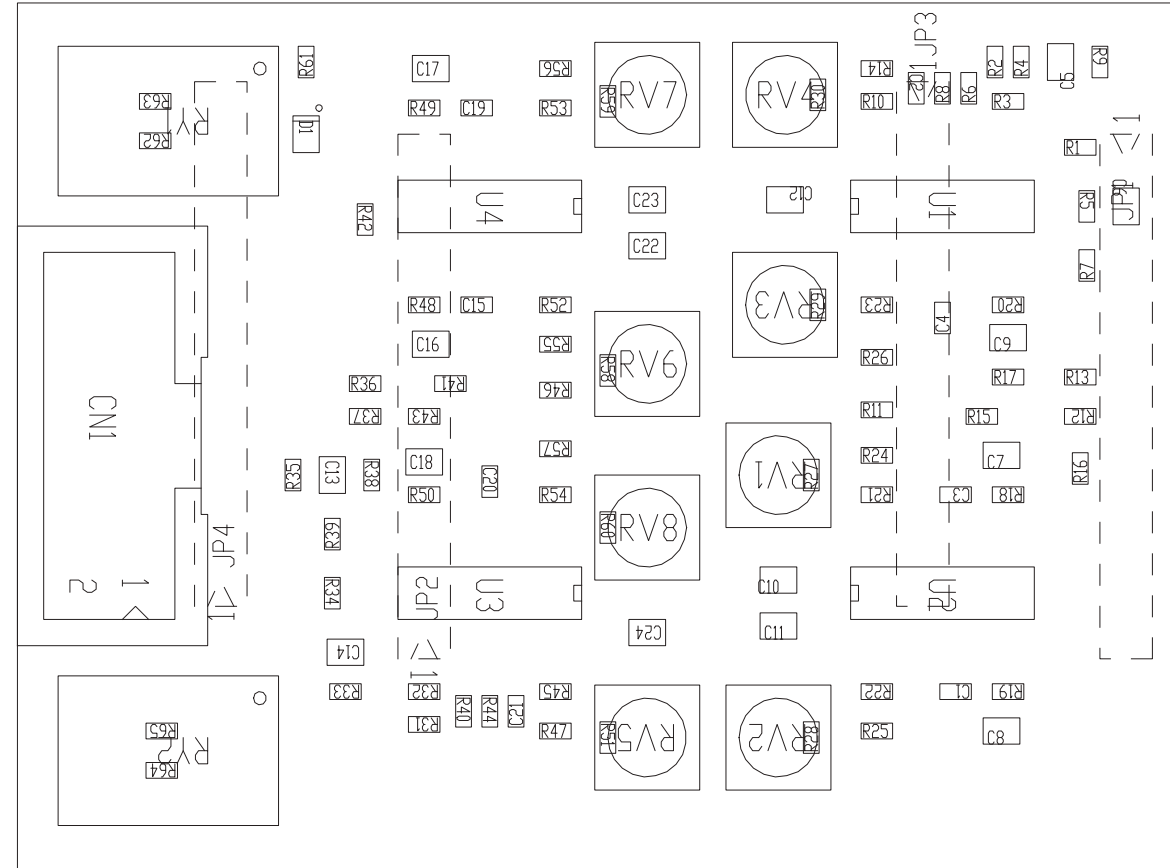
SLCTC30V03

Coder Card Revised: 26/01/2015  
 SLCTC30V03 Revision: 1.2  
 A. Tommasi

Item	Q.ty	Reference	Part	Description
1	1	CS1	CSCTC30V03	Circuito stampato
2	2	C1, C4	10uF 16V	Cond. Elett. SMD d. 4mm
3	2	C3, C10	4.7pF	Cond. SMD 0805
4	15	C5, C7, C8, C18, C27, C28, C29, C30, C33, C34, C38, C39, C40, C41, C42	0.1uF	Cond. SMD 0805
5	4	C6, C11, C22, C36	1nF 1%	Cond. SMD 0805 COG
6	1	C12	10pF	Cond. SMD 0805
7	1	C14	680pF 1%	Cond. SMD 0805 COG
8	4	C15, C19, C23, C25	NC	Cond. Poliestere p 5mm (5*7mm)
9	1	C16	100pF	Cond. SMD 0805
10	1	C20	2.2nF 1%	Cond. SMD 0805 COG
11	1	C21	56pF	Cond. SMD 0805
12	1	C24	220pF 1%	Cond. SMD 0805 COG
13	1	C26	NC	Cond. SMD 0805
14	2	C31, C32	27pF	Cond. SMD 0805
15	1	C35	10nF	Cond. SMD 0805
16	1	C43	150pF	Cond. SMD 0805
17	1	C44	NC	Cond. SMD 0805
18	1	JP1	STM14S	Strip maschio 14 pin
19	1	JP2	STM13S	Strip maschio 13 pin
20	1	RV1	500H	Trimmer SMD
21	2	R1, R17	100H0	Res. SMD 0805
22	3	R2, R16, R18	1K07	Res. SMD 0805
23	3	R3, R10, R11	1K50	Res. SMD 0805
24	2	R4, R5	5K60	Res. SMD 0805
25	2	R6, R12	2K74	Res. SMD 0805
26	2	R7, R13	4K75	Res. SMD 0805
27	2	R8, R30	2K10	Res. SMD 0805
28	1	R9	1K58	Res. SMD 0805
29	2	R14, R15	6K80	Res. SMD 0805
30	2	R19, R20	715K0	Res. SMD 0805
31	1	R21	39K0	Res. SMD 0805
32	1	R22	2K15	Res. SMD 0805
33	3	R23, R26, R38	3K30	Res. SMD 0805
34	2	R24, R29	1K33	Res. SMD 0805
35	1	R25	2K49	Res. SMD 0805
36	1	R27	1K69	Res. SMD 0805
37	1	R28	1K20	Res. SMD 0805
38	1	R31	1K0	Res. SMD 0805
39	1	R32	825H0	Res. SMD 0805
40	1	R33	1K74	Res. SMD 0805
41	2	R34, R39	330H0	Res. SMD 0805
42	1	R35	2M20	Res. SMD 0805
43	2	R36, R43	22H0	Res. SMD 0805
44	1	R37	15K0	Res. SMD 0805
45	3	R40, R41, R42	22K0	Res. SMD 0805
46	1	R44	100K0	Res. SMD 0805
47	2	R45, R46	1M0	Res. SMD 0805
48	1	R47	0H0	Res. SMD 0805
49	3	U1, U3, U6	LM833/SO	Dual Op. SMD SO8
50	2	U2, U8	CD4051/SO	Analog Switch SMD SO16
51	1	U4	TL072SMD	Dual Op. SMD SO8
52	1	U5	CD4069/SO	Hex inverter SO14
53	1	U7	CD4520/SO	Dual binary counter
54	1	X1	4M864	Quarzo SMD HC49SMD
55	1	X2	NC	Quarzo HC18



SLAU0469R01V02



PRODUCT NAME : TEX-LCD

DESIGNER : FRANCESCHI A.

ARCHIVING : "RVRUT" SERVER, "RILASCIATI" FOLDER

PART NAME : AUDID FILTER 15KHZ

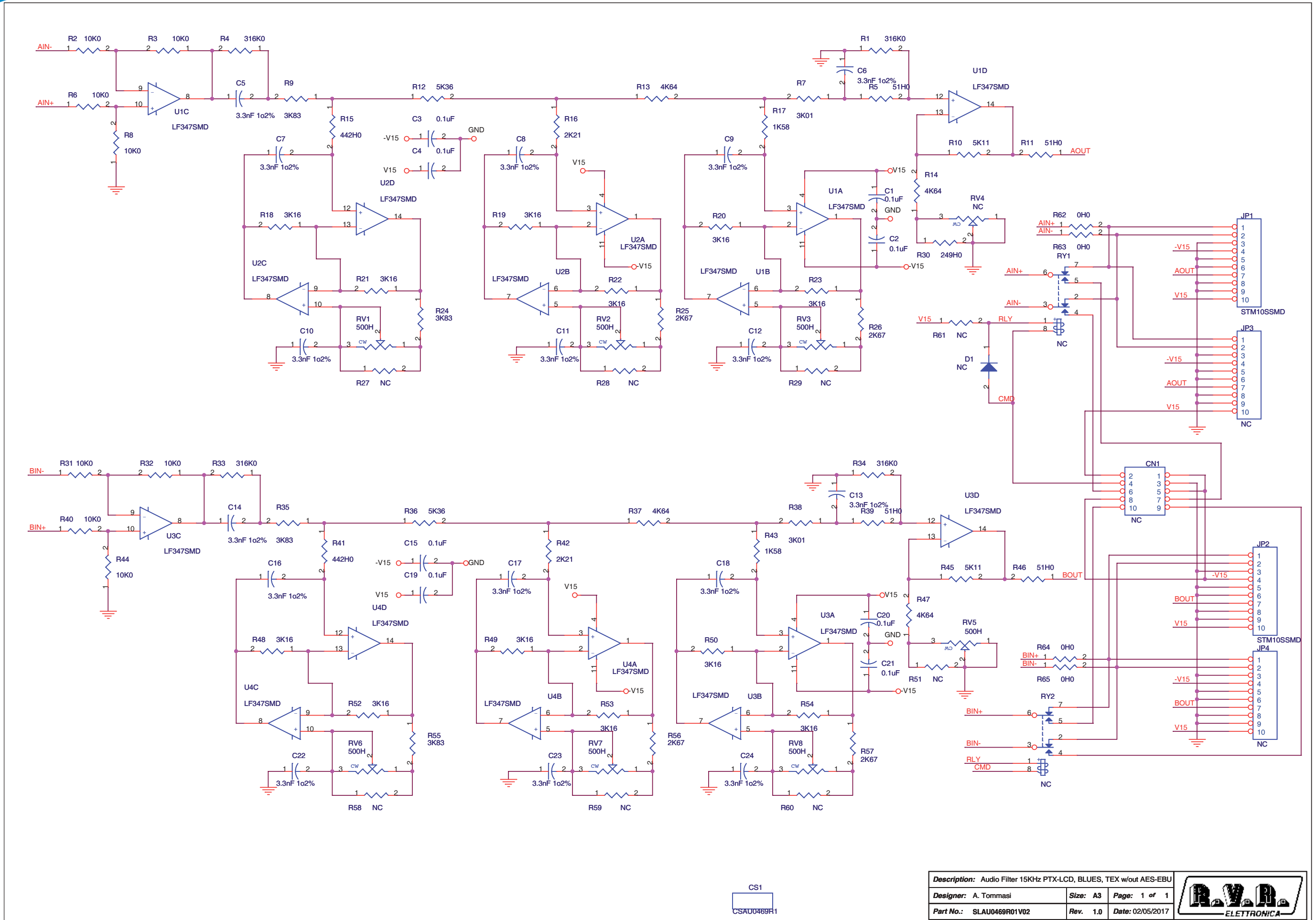
DATE : 03/05/17

REVISION : 1.0 SCALE : 2:1 SIZE : A4 PAGE : 1 DI 1

PROJECT CODE : 057

DOCUMENT CODE : SLAU0469R01V\*\*

SLAU0469R01V02



CS1  
CSAU0469R1

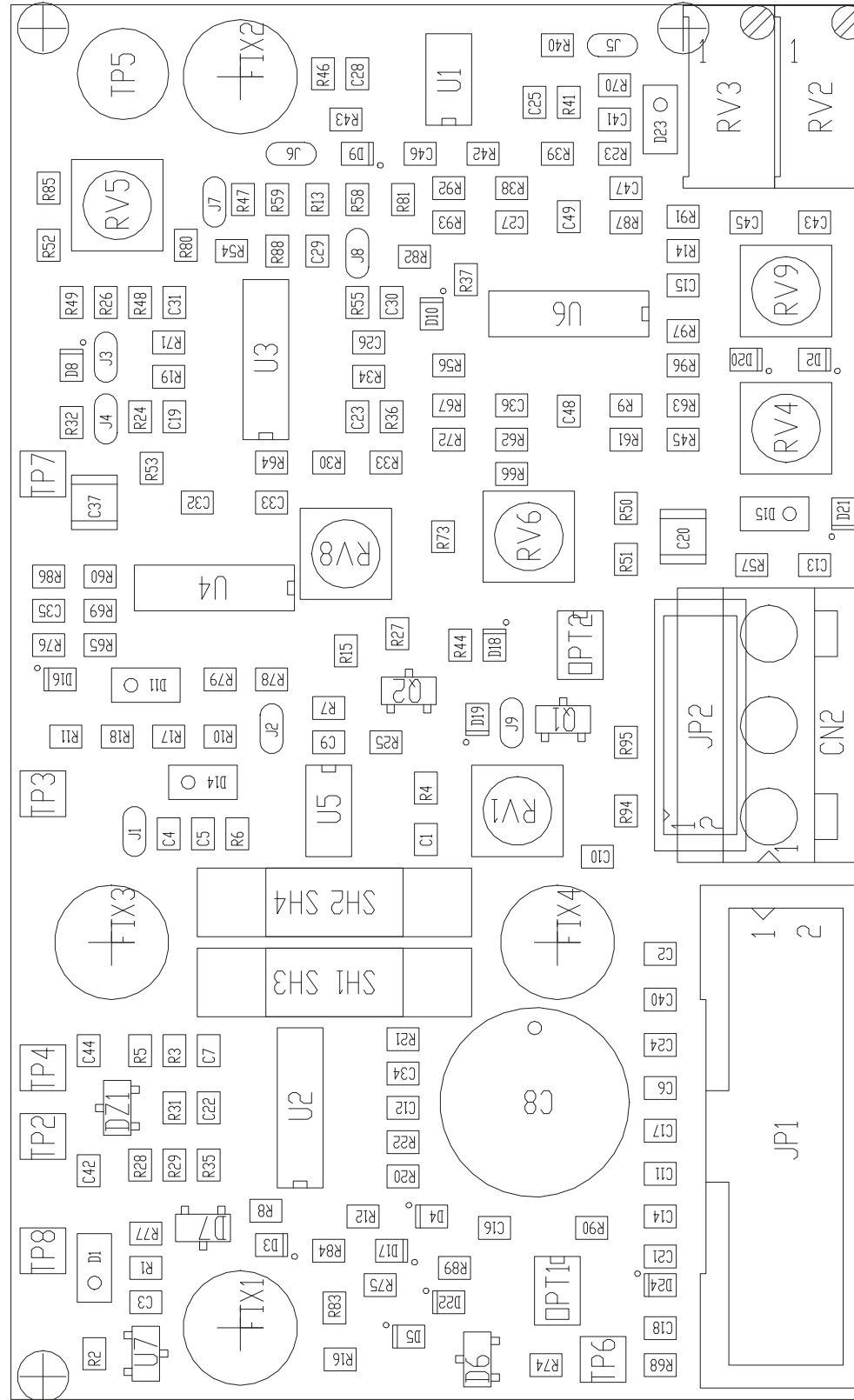
Description: Audio Filter 15KHz PTX-LCD, BLUES, TEX w/out AES-EBU		
Designer: A. Tommasi	Size: A3	Page: 1 of 1
Part No.: SLAU0469R01V02	Rev. 1.0	Date: 02/05/2017



SLAU0469R01V02

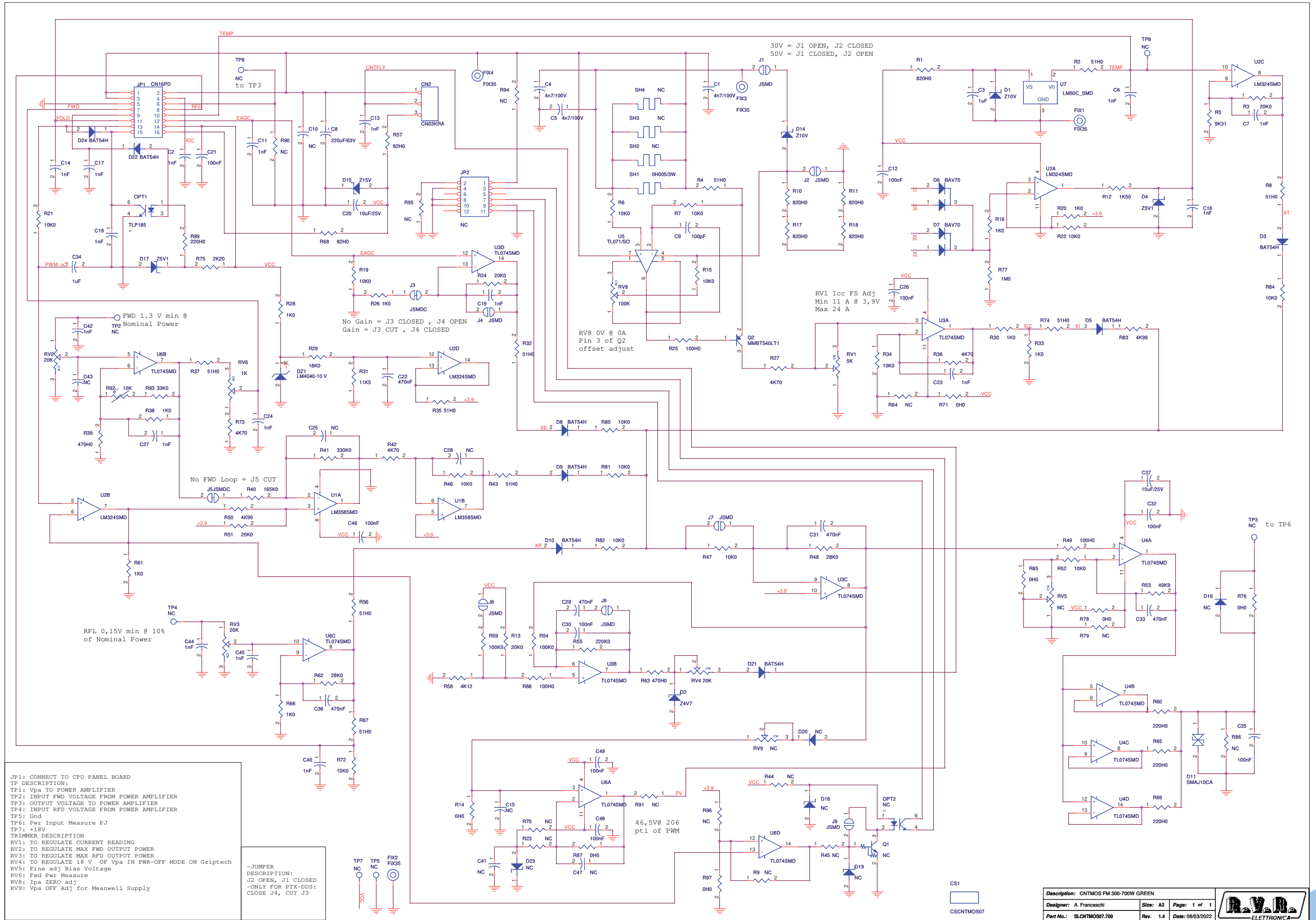
Audio Filter 15KHz PTX-LCD, BLUES, TEX w/out AES-EBU Revised: 02/05/2017  
 SLAU0469R01V02 Revision: 1.0  
 A. Tommasi

Item	Quantity	Reference	Part	Description
1	1	CN1	NC	Conn. 10 poli Flat cs con alette
2	1	CS1	CSAU0469R1	Circuito stampato
3	8	C1, C2, C3, C4, C15, C19, C20, C21	0.1uF	Cond. SMD 0603
4	16	C5, C6, C7, C8, C9, C10, C11, C12, C13, C14, C16, C17, C18, C22, C23, C24	3.3nF 1o2%	Cond. SMD 0805 COG
5	1	D1	NC	SOD323 SMD Diode
6	2	JP1, JP2	STM10SSMD	Male strip 10 pin SMD
7	2	JP3, JP4	NC	Male strip 10 pin SMD
8	7	RV1, RV2, RV3, RV5, RV6, RV7, RV8	500H	Trimmer SMD V 3314
9	1	RV4	NC	Trimmer SMD V 3314
10	2	RY1, RY2	NC	Rele' FTR-B3G
11	4	R1, R4, R33, R34	316K0	Res. SMD 0603
12	8	R2, R3, R6, R8, R31, R32, R40, R44	10K0	Res. SMD 0603
13	4	R5, R11, R39, R46	51H0	Res. SMD 0603
14	2	R7, R38	3K01	Res. SMD 0603
15	4	R9, R24, R35, R55	3K83	Res. SMD 0603
16	2	R10, R45	5K11	Res. SMD 0603
17	2	R12, R36	5K36	Res. SMD 0603
18	4	R13, R14, R37, R47	4K64	Res. SMD 0603
19	2	R15, R41	442H0	Res. SMD 0603
20	2	R16, R42	2K21	Res. SMD 0603
21	2	R17, R43	1K58	Res. SMD 0603
22	12	R18, R19, R20, R21, R22, R23, R48, R49, R50, R52, R53, R54	3K16	Res. SMD 0603
23	4	R25, R26, R56, R57	2K67	Res. SMD 0603
24	8	R27, R28, R29, R51, R58, R59, R60, R61	NC	Res. SMD 0603
25	1	R30	249H0	Res. SMD 0603
26	4	R62, R63, R64, R65	0H0	Res. SMD 0603
27	4	U1, U2, U3, U4	LF347SMD	Quad Op. SMD SO14



PRODUCT NAME : TEX	PART NAME : CNTMOS PA RF R.07
DESIGNER : FRANCESCHI A.	DATE : 18/05/16
ARCHIVING : "RVRUT" SERVER, "RILASCIATI" FOLDER	REVISION : 1.0
	SCALE : 1:1
	SIZE : A4
	PAGE : 1
	DI : 1
	DOCUMENT CODE : SLCNTMOS07.*

SLCNTMOS07.700



JP1: CONNECT TO CPU PANEL BOARD  
 TP DESCRIPTION:  
 TP1: Vpa TO POWER AMPLIFIER  
 TP2: INPUT FWD VOLTAGE FROM POWER AMPLIFIER  
 TP3: OUTPUT VOLTAGE TO POWER AMPLIFIER  
 TP4: INPUT RFD VOLTAGE FROM POWER AMPLIFIER  
 TP5: Gnd  
 TP6: Pwr Input Measure PJ  
 TP7: +18V  
 TRIMMER DESCRIPTION  
 RV1: TO REGULATE CURRENT READING  
 RV2: TO REGULATE MAX FWD OUTPUT POWER  
 RV3: TO REGULATE MAX RFD OUTPUT POWER  
 RV4: TO REGULATE 18 V OF Vpa IN PWR-OFF MODE ON Griptech  
 RV5: Fine adj Bias Voltage  
 RV6: Fwd Pwr Measure  
 RV8: Ipa ZERO adj  
 RV9: Vpa OFF Adj for Meanwell Supply

-JUMPER  
 DESCRIPTION:  
 J2 OPEN, J1 CLOSED  
 -ONLY FOR PTX-DDS:  
 CLOSE J4, CUT J3

Description: CNTMOS FM 300-700W GREEN			
Designer: A. Franceschi	Size: A2	Page: 1 of 1	
Part No.: SLCNTMOS07.700	Rev: 1.4	Date: 08/03/2022	
CS1 CSCNTMOS07			

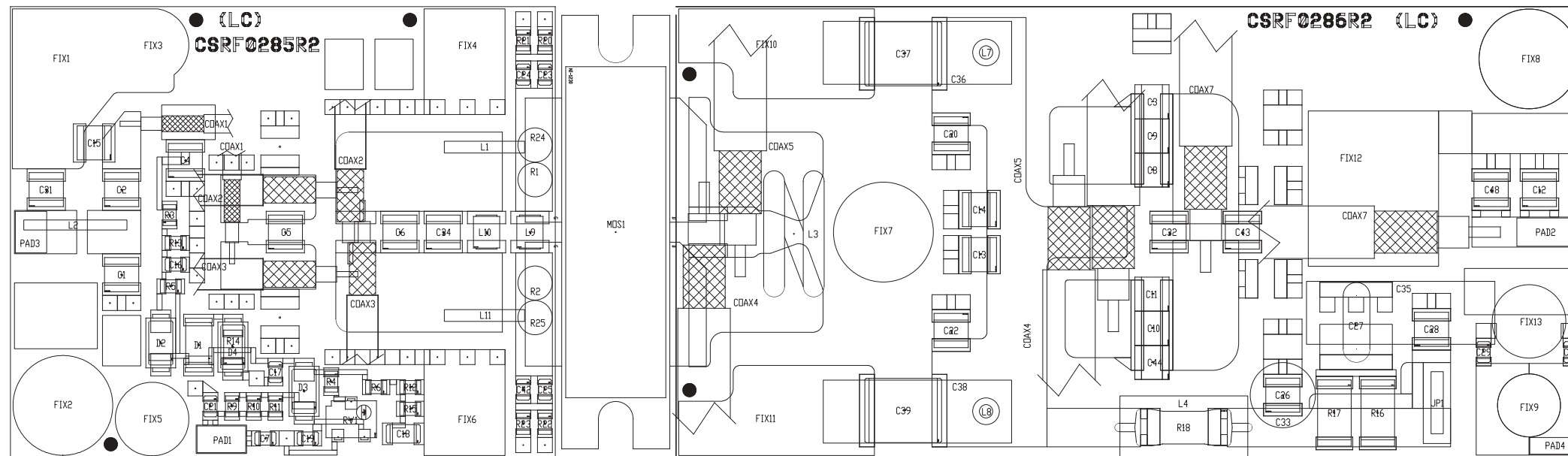
SLCNTMOS07.700

CNTMOS FM 300-700W GREEN Revised: Tuesday, March 08, 2022  
 SLCNTMOS07.700 Revision: 1.4  
 A. Franceschi

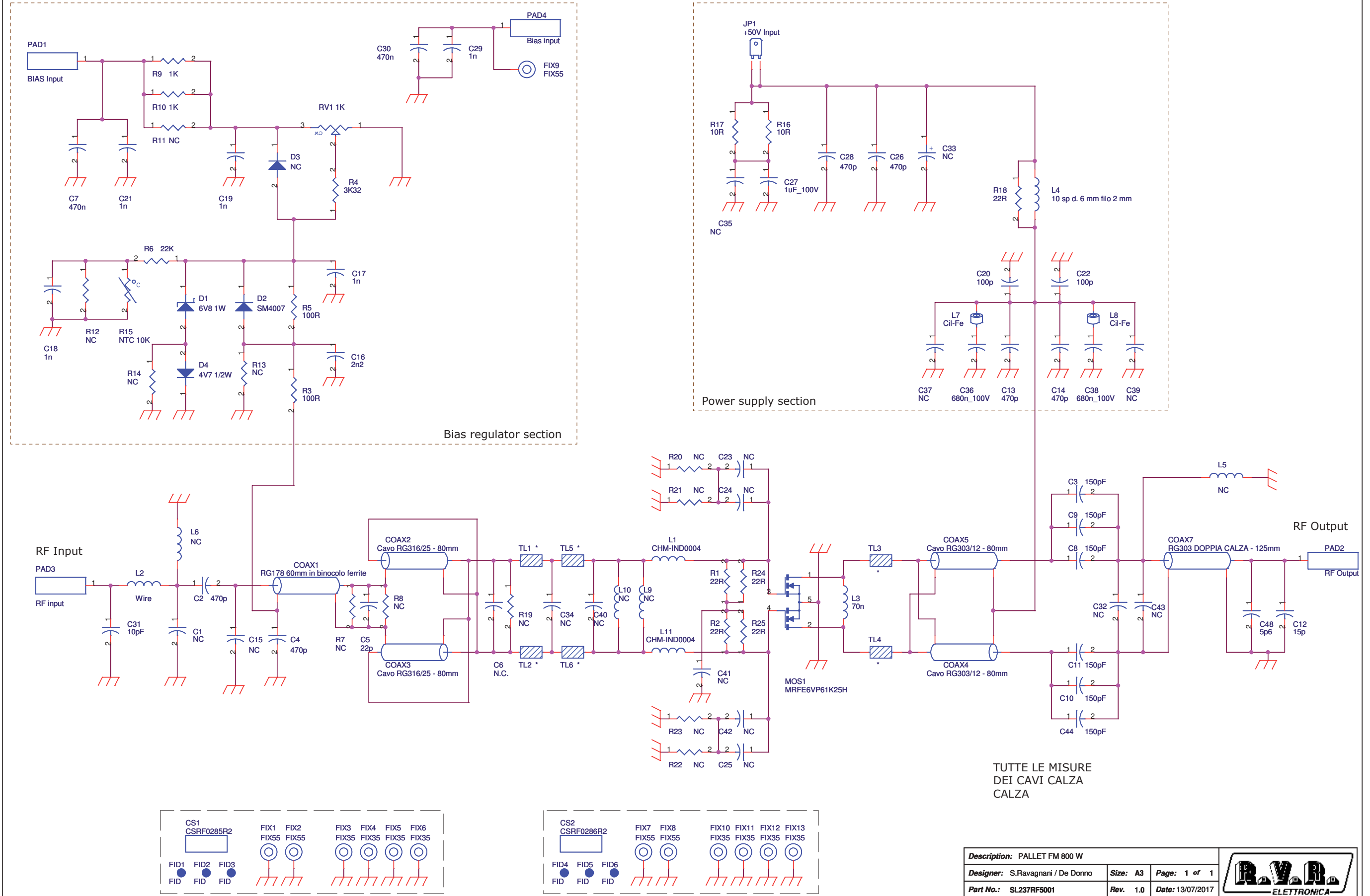
Item	Quantity	Reference	Part	Description
1	1	CN2	CN03KRA	Conn. tipo KRA a 3 poli
2	1	CS1	CSCNTMOS07	Circuito stampato
3	3	C1, C4, C5	4n7/100V	Cond. SMD 0805
4	17	C2, C6, C7, C11, C13, C14, C16, C17, C18, C19, C23, C24, C27, C40, C42, C44, C45	1nF	Cond. SMD 0805
5	2	C3, C34	1uF	Cond. SMD 0805
6	1	C8	220uF/63V	Cond. Elettr. Dia 10 P5.08
7	1	C9	100pF	Cond. SMD 0805
8	7	C10, C15, C25, C28, C41, C43, C47	NC	Cond. SMD 0805
9	9	C12, C21, C26, C30, C32, C35, C46, C48, C49	100nF	Cond. SMD 0805
10	2	C20, C37	10uF/25V	Cond. SMD 1210
11	5	C22, C29, C31, C33, C36	470nF	Cond. SMD 0805
12	1	DZ1	LM4040-10 V	Diode Zener SMD SOT23
13	2	D1, D14	Z10V	MINIMELF SMD Zener Diode
14	1	D2	Z4V7	SOD323 Zener Diode
15	8	D3, D5, D8, D9, D10, D21, D22, D24	BAT54H	SOD323 SMD Diode
16	2	D4, D17	Z5V1	SOD323 Zener Diode
17	2	D6, D7	BAV70	Doppio Diode SMD SOT23
18	1	D11	SMAJ10CA	Transzorb SMA
19	1	D15	Z15V	MINIMELF SMD Zener Diode
20	2	D16, D20	NC	SOD323 SMD Diode
21	2	D18, D19	NC	SOD323 Zener Diode
22	1	D23	NC	MINIMELF SMD Zener Diode
23	4	FIX1, FIX2, FIX3, FIX4	FIX35	Foro fissaggio 3.5mm
24	1	JP1	CN16PD	Conn.M.C.S.Dritto 16P alette.
25	1	JP2	NC	Conn. 12 poli DF11 12pin p. 2mm
26	7	J1, J2, J4, J6, J7, J8, J9	JSMD	Pad SMD a saldare
27	2	J3, J5	JSMD	Pad SMD a saldare chiuso
28	1	OPT1	TLP185	Optocoupler SMD SO6
29	1	OPT2	NC	Optocoupler SMD SO6
30	1	Q1	NC	Trans./Res. NPN SOT23
31	1	Q2	MMBT540LT1	Trans. PNP SOT23
32	1	RV1	5K	Trimmer Rg V 3269W SMD
33	2	RV2, RV3	20K	Trimmer Rg V 3296W
34	1	RV4	20K	Trimmer SMD
35	2	RV5, RV9	NC	Trimmer SMD
36	1	RV6	1K	Trimmer SMD
37	1	RV8	100K	Trimmer SMD
38	5	R1, R10, R11, R17, R18	820H0	Res. SMD 0805 1%
39	10	R2, R4, R8, R32, R35, R37, R43, R56, R67, R74	51H0	Res. SMD 0805 1%
40	4	R3, R13, R24, R51	20K0	Res. SMD 0805 1%
41	1	R5	9K31	Res. SMD 0805 1%
42	15	R6, R7, R15, R19, R21, R22, R34, R46, R47, R52, R72, R80, R81, R82, R84	10K0	Res. SMD 0805 1%
43	13	R9, R23, R44, R45, R64, R70, R79, R86, R90, R91, R94, R95, R96	NC	Res. SMD 0805 1%
44	1	R12	1K50	Res. SMD 0805 1%
45	7	R14, R71, R76, R78, R85, R87, R97	0H0	Res. SMD 0805 1%
46	9	R16, R20, R26, R28, R30, R33, R38, R61, R66	1K0	Res. SMD 0805 1%
47	3	R25, R49, R88	100H0	Res. SMD 0805 1%
48	4	R27, R36, R42, R73	4K70	Res. SMD 0805 1%
49	1	R29	18K0	Res. SMD 0805 1%
50	1	R31	11K5	Res. SMD 0805 1%
51	2	R39, R63	470H0	Res. SMD 0805 1%
52	1	R40	165K0	Res. SMD 0805 1%
53	1	R41	330K0	Res. SMD 0805 1%
54	2	R48, R62	28K0	Res. SMD 0805 1%
55	2	R50, R83	4K99	Res. SMD 0805 1%
56	1	R53	49K9	Res. SMD 0805 1%
57	2	R54, R59	100K0	Res. SMD 0805 1%
58	1	R55	220K0	Res. SMD 0805 1%
59	2	R57, R68	82H0	Res. SMD 0805 1%
60	1	R58	4K12	Res. SMD 0805 1%
61	4	R60, R65, R69, R89	220H0	Res. SMD 0805 1%
62	1	R75	2K20	Res. SMD 0805 1%
63	1	R77	1M0	Res. SMD 0805 1%
64	1	R92	10K	Res. NTC SMD 0805
65	1	R93	33K0	Res. SMD 0805 1%
66	1	SH1	0H005/3W	Shunt passo 15.2mm fori 2mm

Item	Quantity	Reference	Part	Description
67	1	SH2	NC	Shunt passo 15.2mm fori 2mm
68	2	SH3, SH4	NC	Shunt SMD 2512
69	6	TP2, TP3, TP4, TP6, TP7, TP8	NC	Foro dia. 1mm
70	1	TP5	NC	Foro dia. 2mm
71	1	U1	LM358SMD	Dual Op. SMD SO8
72	1	U2	LM324SMD	Quad Op. SMD SO14
73	3	U3, U4, U6	TL074SMD	Quad Op. SMD SO14
74	1	U5	TL071/SO	Single Op. SMD SO8
75	1	U7	LM50C_SMD	Temperature sensor





	NOME PROGETTO: EXCITER HIGH EFFICIENTY	NOME PARTE: PALLET FM 800 W			
	AUTORE: DE DONNO	DATA: 13/07/17	REVISIONE: 1.0	SCALA: 2:1	SIZE: A3
ARCHIVIAZIONE ELETTRONICA: "RILASCIATI" SU "RVRUT"	STATO: ESECUTIVO	CODICE DISEGNO: SL237RF4001			



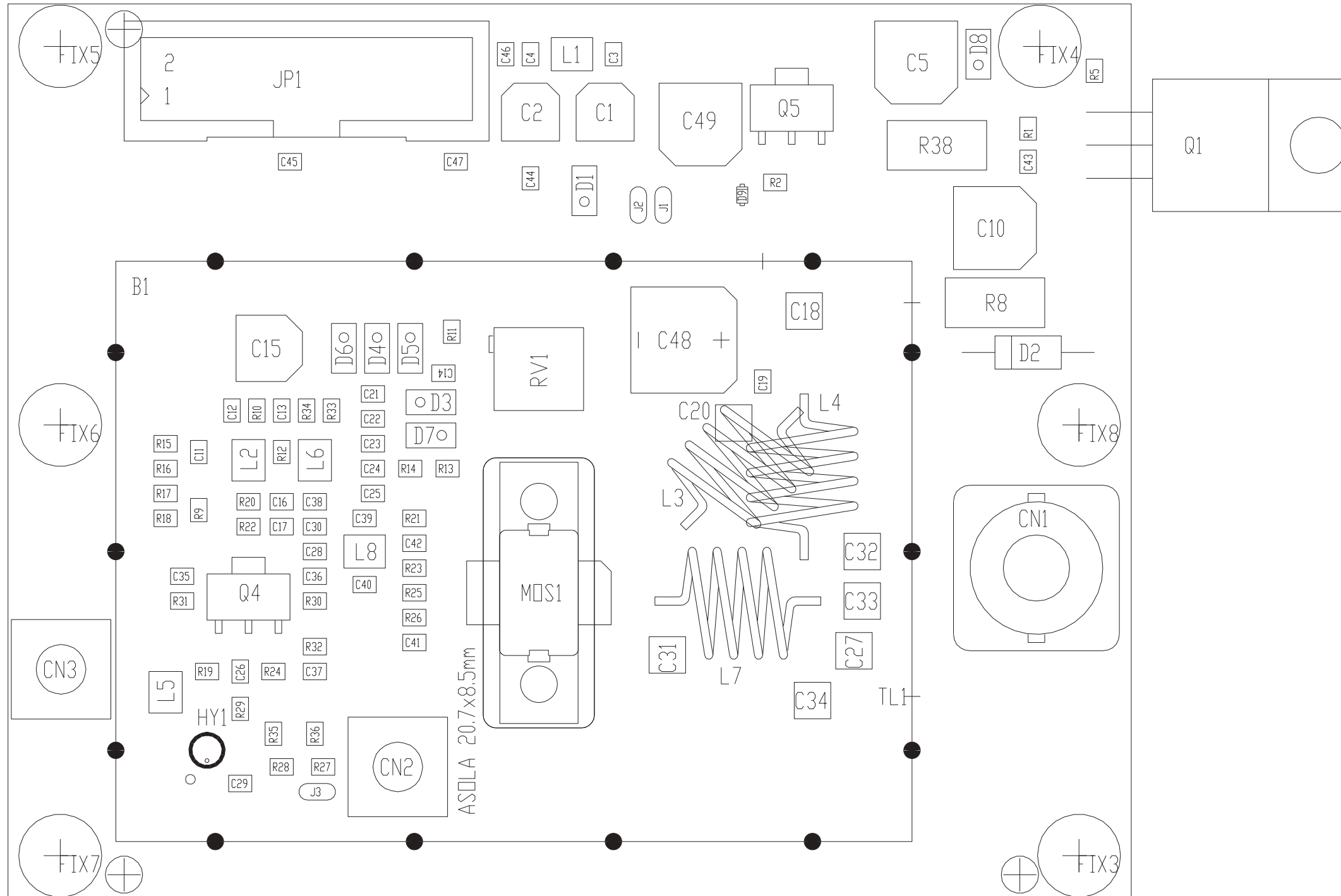
Description: PALLET FM 800 W		
Designer: S.Ravagnani / De Donno	Size: A3	Page: 1 of 1
Part No.: SL237RF5001	Rev. 1.0	Date: 13/07/2017



SL237RF5001

PALLET FM 800 W Revised: 13/07/2017  
 SL237RF5001 Revision: 1.0  
 S.Ravagnani / De Donno

Item	Quantity	Reference	Part	(description)
1	1	COAX1	RG178 60mm in binocolo ferrite	Cavo RG178 60mm calza/calza in binocolo ferrite (73mm tot.)
2	2	COAX2, COAX3	Cavo RG316/25 - 80mm	Cavo RG316/25 80mm calza/calza (91mm tot.)
3	2	COAX5, COAX4	Cavo RG303/12 - 80mm	Cavo RG303/12 80mm calza/calza (98mm tot.)
4	1	COAX7	RG142 DOPPIA CALZA - 125mm	Cavo RG142 125mm calza/calza (147mm tot.) Vedi Info COAX7.pdf
5	1	CS1	CSRF0285R2	Circuito stampato
6	1	CS2	CSRF0286R2	Circuito stampato
7	3	C1, C23, C25	NC	Cond. SMD 0805
8	2	C2, C4	470p	Cond. SMD 1212 HQ
9	4	C13, C14, C26, C28	470p	Cond. SMD 1212 HQ
10	1	C30	470n	Cond. SMD 0805
11	1	C5	22p	Cond. SMD 1212 HQ
12	1	C6	NC	Cond. SMD 1212 HQ
13	2	C7	470n	Cond. SMD 0805
14	6	C3, C44, C8, C9, C10, C11	150pF	Cond. SMD 1212 HQ
15	1	C12	15p	Cond. SMD 1212 HQ
16	5	C15, C32, C34, C40, C43	NC	Cond. SMD 1212 HQ
17	1	C16	2n2	Cond. SMD 0805 COG
18	3	C17, C19, C21	1n	Cond. SMD 0805
19	1	C18	1n	Cond. SMD 1206
20	2	C22, C20	100p	Cond. SMD 1212 HQ
21	2	C42, C24	NC	Cond. SMD 0805
22	1	C27	1uF_100V	Cond. multistrato p 5mm
23	1	C31	10pF	Cond. SMD 1212 HQ
24	1	C29	1n	Cond. SMD 0805
25	3	C36, C38	680n_100V	Cond. Poliestere p 10mm
26	2	C37, C39	NC	Cond. Poliestere p 15mm
27	1	C41	NC	Cond. multistrato p 5mm
28	1	C48	5p6	Cond. SMD 1212 HQ
29	1	D1	6V8 1W	MELF SMD Zener Diode
30	1	D2	SM4007	Diode SMD cont. SMA
31	1	D3	NC	Diode SMD cont. SMA
32	1	D4	4V7 1/2W	MELF SMD Zener Diode
33	6	FID1, FID2, FID3, FID4, FID5, FID6	FID	Fiducial CS
34	5	FIX1, FIX2, FIX7, FIX8, FIX9	FIX55	Foro fissaggio 5.5mm
35	8	FIX3, FIX4, FIX5, FIX6, FIX10, FIX11, FIX12, FIX13	FIX35	Foro fissaggio 3.5mm
36	1	JP1	+50V Input	Faston da CS p. 5.08
37	2	L11, L1	CHM-IND0004	Printed link on copper
38	1	L2	Wire	Filo R. Arg. 1mm lung. 10mm
39	1	L3	70n	1.5 Spire Filo R. Arg. 2mm Avvolte su 8mm Lung. 8 Alt. 5mm da PCB
40	1	L4	10 sp d. 6 mm filo 2 mm	10spire filo R. Small. 2mm Avvolte su 6mm includente R18 all'interno
41	2	L5, L9	NC	
42	1	L6	NC	
43	2	L7, L8	Cil-Fe	Cilindretto di ferrite
44	1	L10	NC	Ind. SMD 1008
45	1	MOS1	MRFE6VP61K25H	PP Power mosfet RF
46	2	PAD4, PAD1	BIAS Input	
47	1	PAD2	RF Output	
48	1	PAD3	RF input	
49	1	RV1	1K	Trimm. multi SMD PVG5 Murata
50	4	R1, R2, R24, R25	22R	Res. 2W
51	3	R7, R8, R19	NC	Res. 2W
52	2	R3, R5	100R	Res. SMD 0805 1%
53	1	R4	3K32	Res. SMD 0805 1%
54	1	R6	22K	Res. SMD 0805 1%
55	2	R10, R9	1K	Res. SMD 0805 1%
56	3	R11, R12, R13	NC	Res. SMD 0805 1%
57	1	R14	NC	Res. SMD 1206 1%
58	1	R15	NTC 10K	Res. NTC SMD 0805
59	2	R17, R16	10R	Res. SMD 2512 5%
60	1	R18	22R	Res. 2W
61	4	R20, R21, R22, R23	NC	Res. SMD 0805 1%
62	6	TL1, TL2, TL3, TL4, TL5, TL6	*	Linea strip CS
63	1		Ferrite balun	Ferrite balun



PRODUCT NAME : TEX-TFT

DESIGNER : FRANCESCHI A.

ARCHIVING : "RVJUT" SERVER, "RILASCIATI" FOLDER

PART NAME : DRIVER CARD 50V 10W 7DBM FM

DATE : 08/09/21

REVISION : 1.0

SCALE : 2:1

SIZE : A4

PAGE : 1

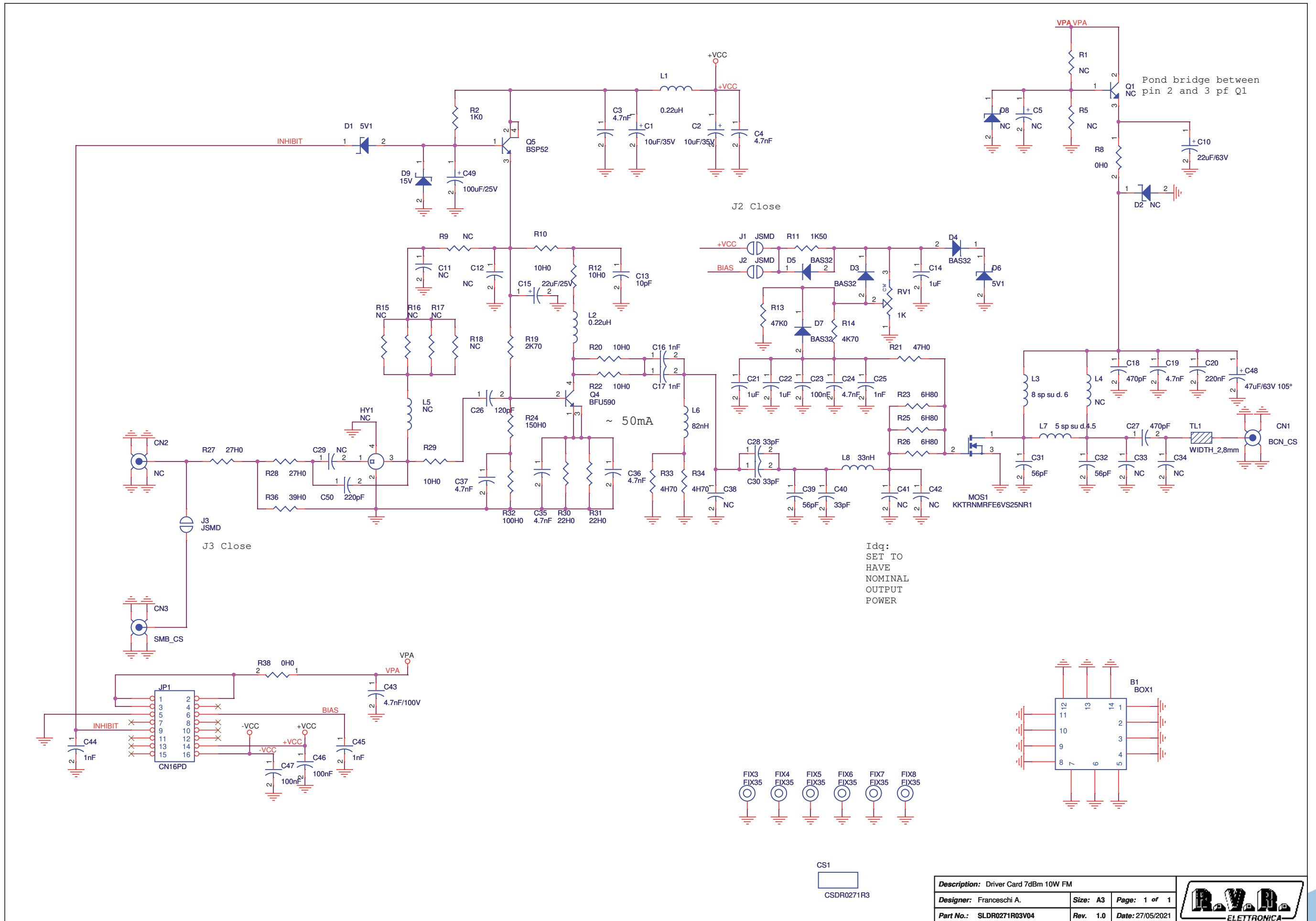
DI : 1

PROJECT CODE : 252

DOCUMENT CODE : SLDR0271R03V04



SLDR0271R03V04



<b>Description:</b> Driver Card 7dBm 10W FM		
<b>Designer:</b> Franceschi A.	<b>Size:</b> A3	<b>Page:</b> 1 of 1
<b>Part No.:</b> SLDR0271R03V04	<b>Rev.:</b> 1.0	<b>Date:</b> 27/05/2021



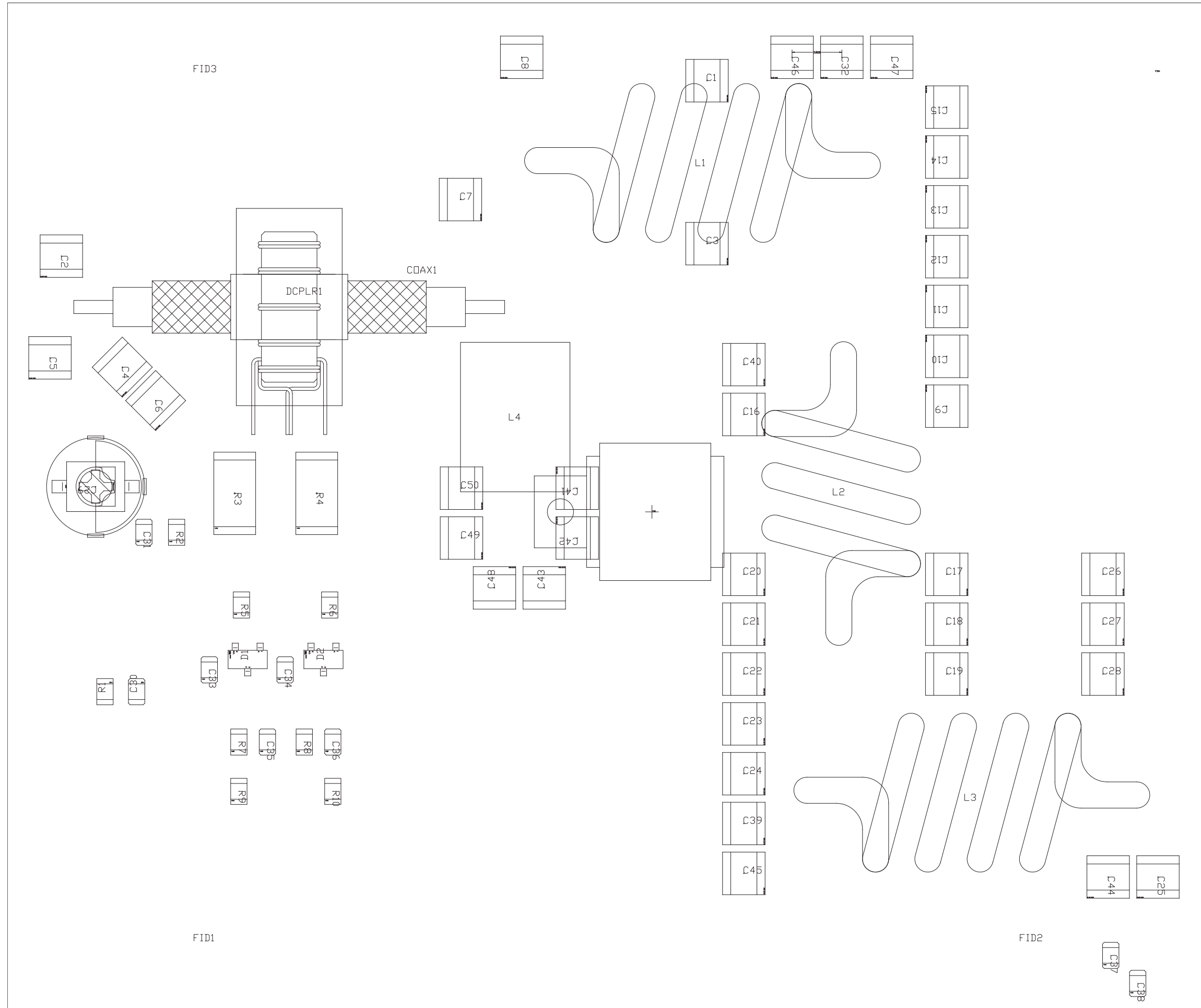
SLDR0271R03V04

Driver Card 7dBm 10W FM Revised: Thursday, May 27, 2021  
 SLDR0271R03V04 Revision: 1.0  
 Franceschi A.

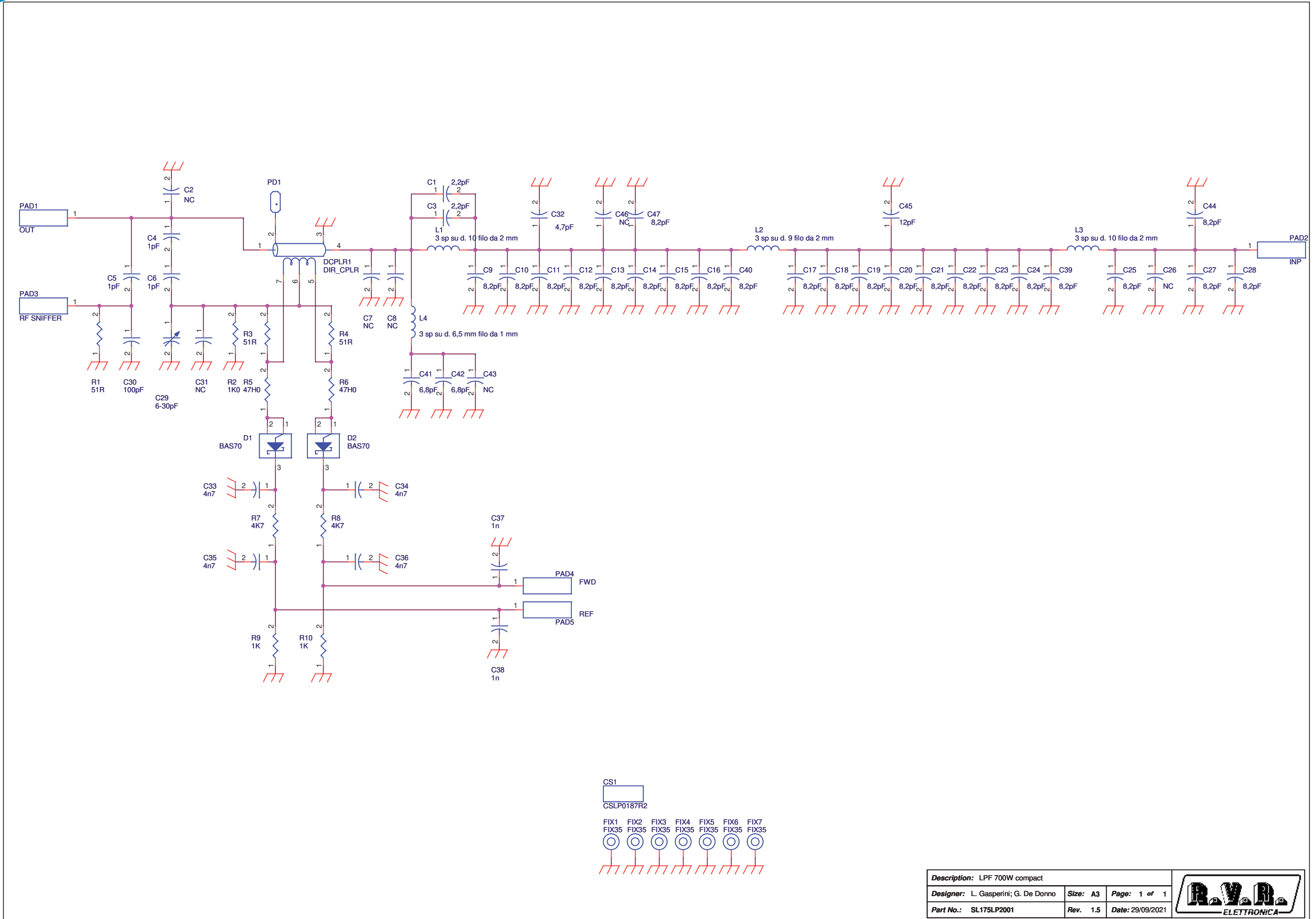
Item	Quantity	Reference	Part	Description
1	1	B1	BOX1	Shielded box
2	1	CN1	BCN_CS	BNC conn. 10x10 PCB
3	1	CN2	NC	SMB pcb conn.
4	1	CN3	SMB_CS	SMB pcb conn.
5	1	CS1	CSDR0271R3	Printed Circuit board
6	2	C1, C2	10uF/35V	SMD electr. cap. 4mm
7	7	C3, C4, C19, C24, C35, C36, C37	4.7nF	0805 SMD capacitor
8	1	C5	NC	SMD electr. cap. 6.3mm
9	1	C10	22uF/63V	SMD electr. cap. 6.3mm
10	6	C11, C12, C29, C38, C41, C42	NC	0805 SMD capacitor
11	1	C13	10pF	0805 SMD capacitor
12	3	C14, C21, C22	1uF	0805 SMD capacitor
13	1	C15	22uF/25V	SMD electr. cap. 5mm
14	5	C16, C17, C25, C44, C45	1nF	0805 SMD capacitor
15	2	C18, C27	470pF	1212 HQ SMD capacitor
16	1	C20	220nF	1210 SMD capacitor
17	3	C23, C46, C47	100nF	0805 SMD capacitor
18	1	C26	120pF	0805 SMD capacitor
19	3	C28, C30, C40	33pF	0805 SMD capacitor
20	2	C31, C32	56pF	1212 HQ SMD capacitor
21	2	C33, C34	NC	1212 HQ SMD capacitor
22	1	C39	56pF	0805 SMD capacitor
23	1	C43	4.7nF/100V	0805 SMD capacitor
24	1	C48	47uF/63V 105°	SMD electr. cap. 8mm
25	1	C49	100uF/25V	SMD electr. cap. 6.3mm
26	1	C50	220pF	0805 SMD capacitor
27	2	D1, D6	5V1	MINIMELF SMD Zener Diode
28	1	D2	NC	1W Zener Diode
29	4	D3, D4, D5, D7	BAS32	MINIMELF SMD Diode
30	1	D8	NC	MINIMELF SMD Zener Diode
31	1	D9	15V	SOD523 Zener Diode
32	6	FIX3, FIX4, FIX5, FIX6, FIX7, FIX8	FIX35	3.5mm Fixing hole
33	1	HY1	NC	Hybrid MAR/ERA
34	1	JP1	CN16PD	16 way pcb conn. with holder
35	3	J1, J2, J3	JSMD	2 pad SMD jumper
36	2	L1, L2	0.22uH	SMD inductor 3225 (1210)
37	1	L3	8 sp su d. 6	Bobina avvolta in aria
38	1	L4	NC	Bobina avvolta in aria
39	1	L5	NC	SMD inductor 3225 (1210)
40	1	L6	82nH	SMD inductor 3225 (1210)
41	1	L7	5 sp su d.4.5	Bobina avvolta in aria
42	1	L8	33nH	SMD inductor 3225 (1210)
43	1	MOS1	KKTRNMRFE6VS25NR1	RF POWER MOS
44	1	Q1	NC	NPN trans. TO220
45	1	Q4	BFU590	NPN trans. SOT223
46	1	Q5	BSP52	NPN trans. SOT223



SL175LP2001



SL175LP2001



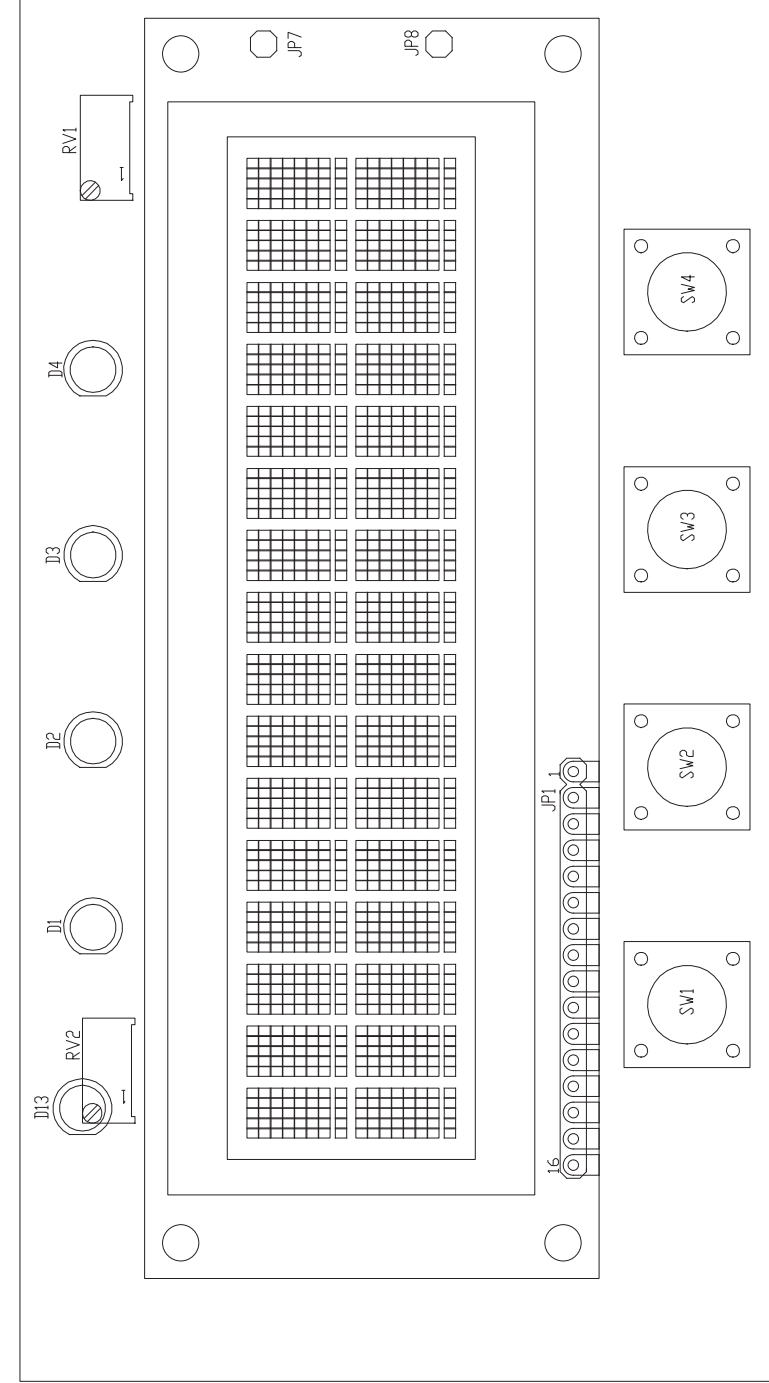
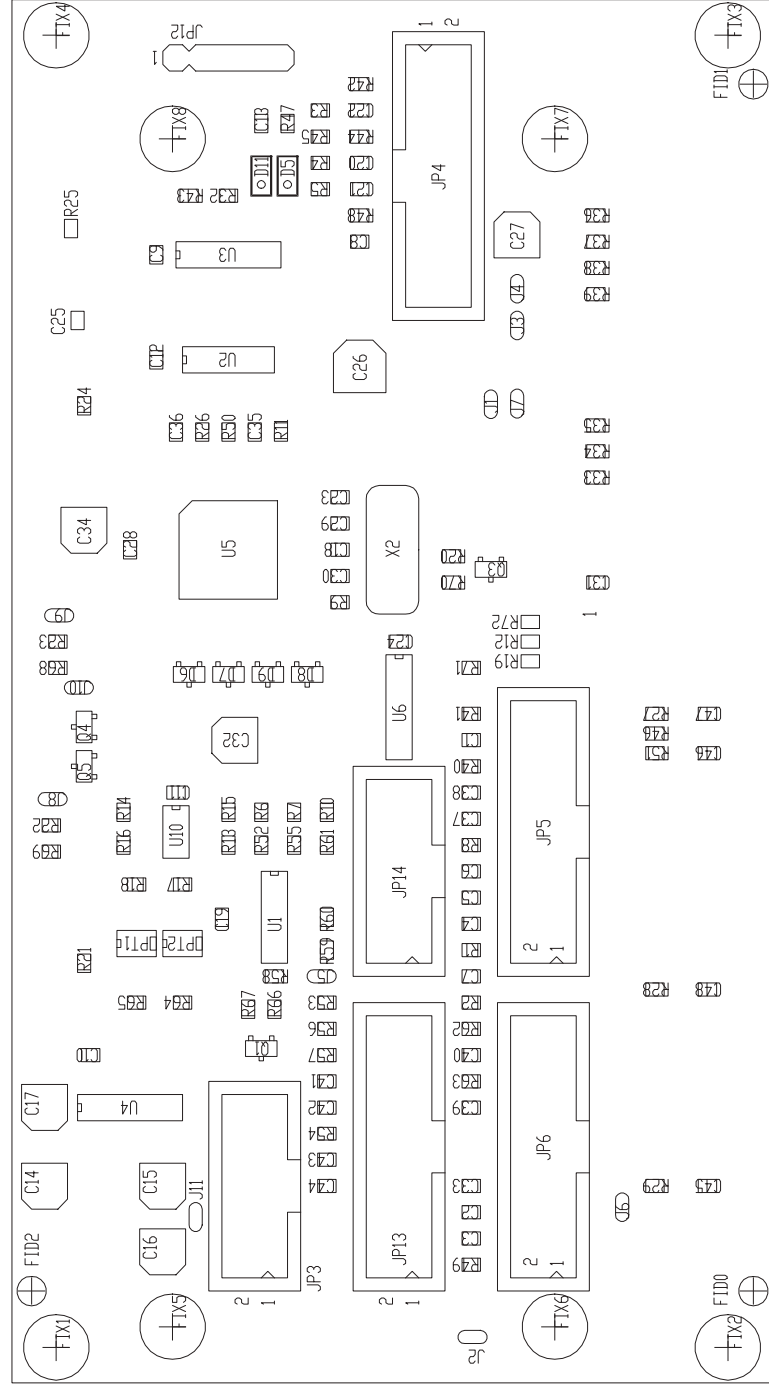
Description: LPF 700W compact		
Designer: L. Gasperini; G. De Donno	Size: A3	Page: 1 of 1
Part No.: SL175LP2001	Rev. 1.5	Date: 29/09/2021



SL175LP2001

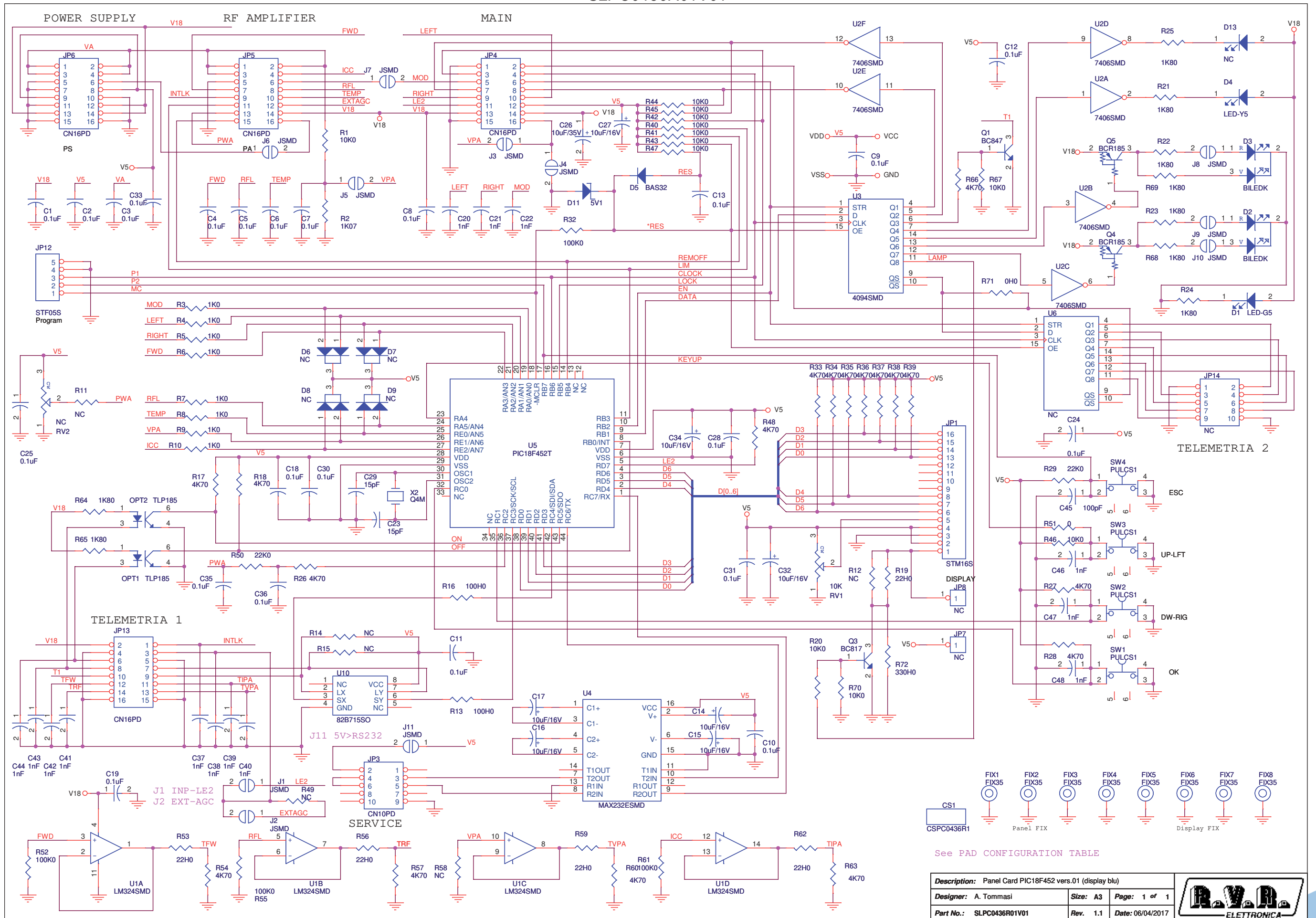
LPF 700W compact Revised: 29/09/2021  
 SL175LP2001 Revision: 1.5  
 L. Gasperini; G. De Donno

Item	Quantity	Reference	Part	(description)
1	1	CS1	CSLP0187R2	Circuito stampato
2	2	C1, C3	2,2pF	Cond. SMD 1212 HQ
3	6	C2, C7, C8, C26, C43, C46	NC	Cond. SMD 1212 HQ
4	3	C4, C5, C6	1pF	Cond. SMD 1212 HQ
5	23	C9, C10, C11, C12, C13, C14, C15, C16, C17, C18, C19, C20, C21, C22, C23, C24, C25, C27, C28, C39, C40, C44, C47	8,2pF	Cond. SMD 1212 HQ
6	1	C29	5-30pF	Var. comp. Murata TZB4A
7	1	C30	100pF	Cond. SMD 0805 COG
8	1	C31	NC	Cond. SMD 0805 COG
9	1	C32	4,7 pF	Cond. SMD 1212 HQ
10	4	C33, C34, C35, C36	4n7	Cond. SMD 0805
11	2	C37, C38	1n	Cond. SMD 0805
12	2	C41, C42	6,8pF	Cond. SMD 1212 HQ
13	1	C45	12pF	Cond. SMD 1212 HQ
14	1	DCPLR1	DIR_CPLR	Accopp. direz.
15	2	D1, D2	BAS70	DIODO HOT CARRIER
16	7	FIX1, FIX2, FIX3, FIX4, FIX5, FIX6, FIX7	FIX35	Foro fissaggio 3.5mm
17	2	L1, L3	3 sp su d. 10 filo da 2 mm	Bobina
18	1	L2	3 sp su d. 9 filo da 2 mm	Bobina
19	1	L4	3 sp su d. 6,5 filo da 1 mm	Bobina
20	1	PAD1	OUT	
21	1	PAD2	INP	
22	1	PAD3	RF SNIFFER	
23	1	PAD4	FWD	
24	1	PAD5	REF	
25	1	PD1	*	
26	1	R1	51R	Res. SMD 0805
27	3	R2, R9, R10	1K0	Res. SMD 0805
28	2	R4, R3	51R	Res. SMD 2512 1%
29	2	R6, R5	47H0	Res. SMD 0805
30	2	R7, R8	4K7	Res. SMD 0805
31	1	COAX1	RG303	CAVO SCHERMATO



PRODUCT NAME : TEX-LCD, PJ-LCD, LINK, URP	PART NAME : SEM.SCH.PANEL CARD PIC18F452
DESIGNER : A. TOMMASI	DATE : 03/09/15
ARCHIVING : "RV.RUT" SERVER, "RILASCIATI" FOLDER	PROJECT CODE : <>
REVISION : 1.0	SCALE : 1:1
SIZE : A4	PAGE : 1
DI : 1	DI : 1
DOCUMENT CODE : SLPC0436R01Vxx	

SLPC0436R01V01



See PAD CONFIGURATION TABLE

<b>Description:</b> Panel Card PIC18F452 vers.01 (display blu)		
<b>Designer:</b> A. Tommasi	<b>Size:</b> A3	<b>Page:</b> 1 of 1
<b>Part No.:</b> SLPC0436R01V01	<b>Rev.:</b> 1.1	<b>Date:</b> 06/04/2017



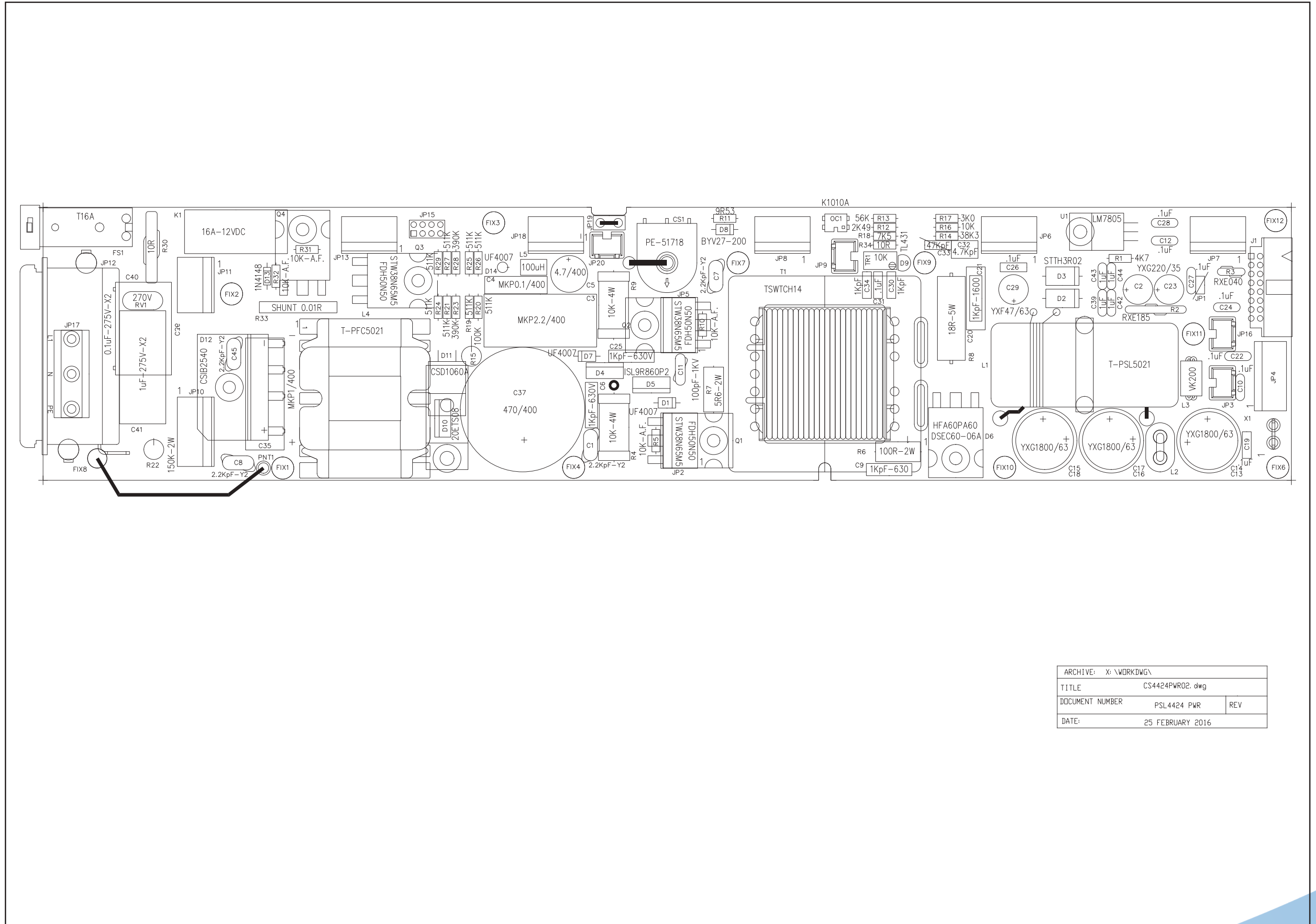
SLPC0436R01V01

Panel Card PIC18F452 vers.01 (display blu)  
 SLPC0436R01V01 Revision: 1.1  
 06/04/2017  
 A. Tommasi

Item	Quantity	Reference	Part	Description
1	1	CS1	CSPC0436R1	Circuito stampato
2	23	C1,C2,C3,C4,C5,C6,C7,C8,C9,C10,C11,C12,C13,C18,C19,C24,C25,C28,C30,C31,C33,C35,C36	0.1uF	Cond. SMD 0805
3	7	C14,C15,C16,C17,C27,C32,C34	10uF/16V	Cond. Elett. SMD d. 4mm
4	14	C20,C21,C22,C37,C38,C39,C40,C41,C42,C43,C44,C46,C47,C48	1nF	Cond. SMD 0805
5	2	C23,C29	15pF	Cond. SMD 0805
6	1	C26	10uF/35V	Cond. Elett. SMD d. 5mm
7	1	C45	100pF	Cond. SMD 0805
8	1	D1	LED-G5	LED Verde dia. 5mm
9	2	D2,D3	BILEDK	Doppio led V-R 5mm Catodo com.
10	1	D4	LED-Y5	LED Giallo dia. 5mm
11	1	D5	BAS32	MINIMELF SMD Diode
12	4	D6,D7,D8,D9	NC	Doppio Diodo SMD SOT23
13	1	D11	5V1	MINIMELF SMD Zener Diode
14	1	D13	NC	LED Giallo dia. 5mm
15	8	FIX1, FIX2, FIX3, FIX4, FIX5, FIX6, FIX7, FIX8	FIX35	Foro fissaggio 3.5mm
16	1	JP1	STM16S	Strip femmina 16 pin
17	1	JP3	CN10PD	Connettore 10 poli Flat cs
18	4	JP4, JP5, JP6, JP13	CN16PD	Connettore 16 poli Flat cs
19	2	JP7, JP8	NC	Strip femmina 1 pin
20	1	JP12	STF05S	Strip femmina o 5 pin
21	1	JP14	NC	Connettore 10 poli Flat cs
22	11	J1,J2,J3,J4,J5,J6,J7,J8,J9,J10,J11	JSMD	Pad SMD a saldare
23	2	OPT1, OPT2	TLP185	Optoisolatore SMD SO6
24	1	Q1	BC847	Trans. NPN SOT23
25	1	Q3	BC817	Trans. NPN SOT23
26	2	Q4, Q5	BCR185	Trans./Res. PNP SOT23
27	1	RV1	10K	Trimmer Rg O 3386X
28	1	RV2	NC	Trimmer Rg V 3296W
29	12	R1,R20,R40,R41,R42,R43,R44,R45,R46,R47,R67,R70	10K0	Res. SMD 0805 1%
30	1	R2	1K07	Res. SMD 0805 1%
31	8	R3,R4,R5,R6,R7,R8,R9,R10	1K0	Res. SMD 0805 1%
32	6	R11,R12,R14,R15,R49,R58	NC	Res. SMD 0805 1%
33	2	R13,R16	100H0	Res. SMD 0805 1%
34	18	R17,R18,R26,R27,R28,R33,R34,R35,R36,R37,R38,R39,R48,R54,R57,R60,R63,R66	4K70	Res. SMD 0805 1%
35	5	R19,R53,R56,R59,R62	22H0	Res. SMD 0805 1%
36	9	R21,R22,R23,R24,R25,R64,R65,R68,R69	1K80	Res. SMD 0805 1%
37	2	R29,R50	22K0	Res. SMD 0805 1%
38	4	R32,R52,R55,R61	100K0	Res. SMD 0805 1%
39	2	R51,R71	0H0	Res. SMD 0805 1%
40	1	R72	330H0	Res. SMD 0805 1%
41	4	SW1, SW2, SW3, SW4	PULCS1	Pulsante cs
42	1	U1	LM324SMD	Quad Op. SMD SO14
43	1	U2	7406SMD	Hex inv OC SMD SO14
44	1	U3	4094SMD	Shift Reg. SMD SO16
45	1	U4	MAX232ESMD	RS232 Driver SMD SO16
46	1	U5	PIC18F452T	TQFP44 SMD Microprocessor
47	1	U6	NC	Shift Reg. SMD SO16
48	1	U10	82B715SO	IIC Bus driver SMD SO8
49	1	X2	Q4M	Quarzo SMD HC49SMD

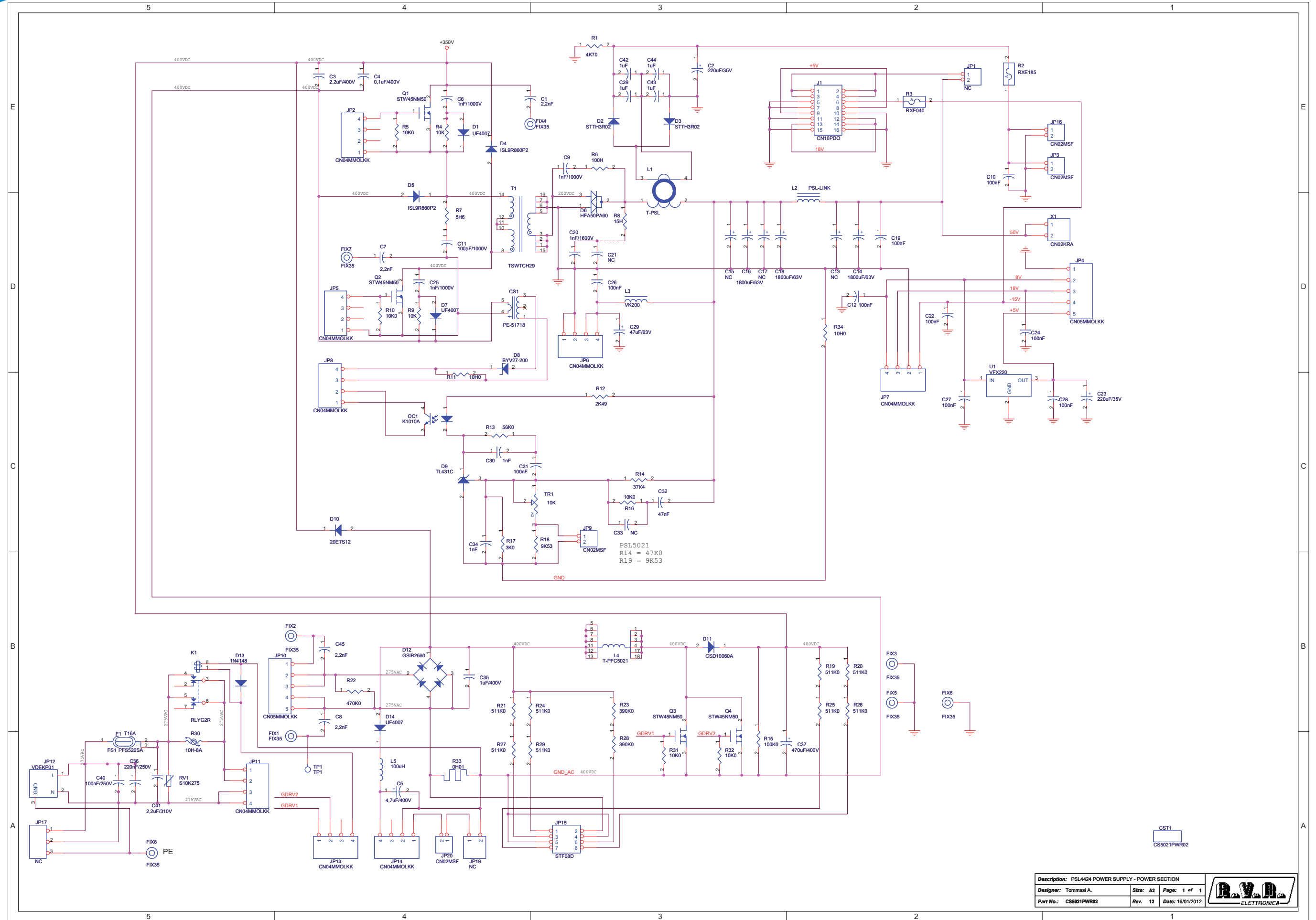


PSL4424



ARCHIVE:	X:\WORKDWG\	
TITLE	CS4424PWR02.dwg	
DOCUMENT NUMBER	PSL4424 PWR	REV
DATE:	25 FEBRUARY 2016	

PSL4424



Description: PSL4424 POWER SUPPLY - POWER SECTION		
Designer: Tommasi A.	Size: A2	Page: 1 of 1
Part No.: CS5021PWR02	Rev. 12	Date: 16/01/2012



PSL4424

PSL4424 POWER SUPPLY - POWER SECTION Revised: 16/01/2012  
CS5021PWR02 Revision: 12

Alimentatore PSL4424  
RVR

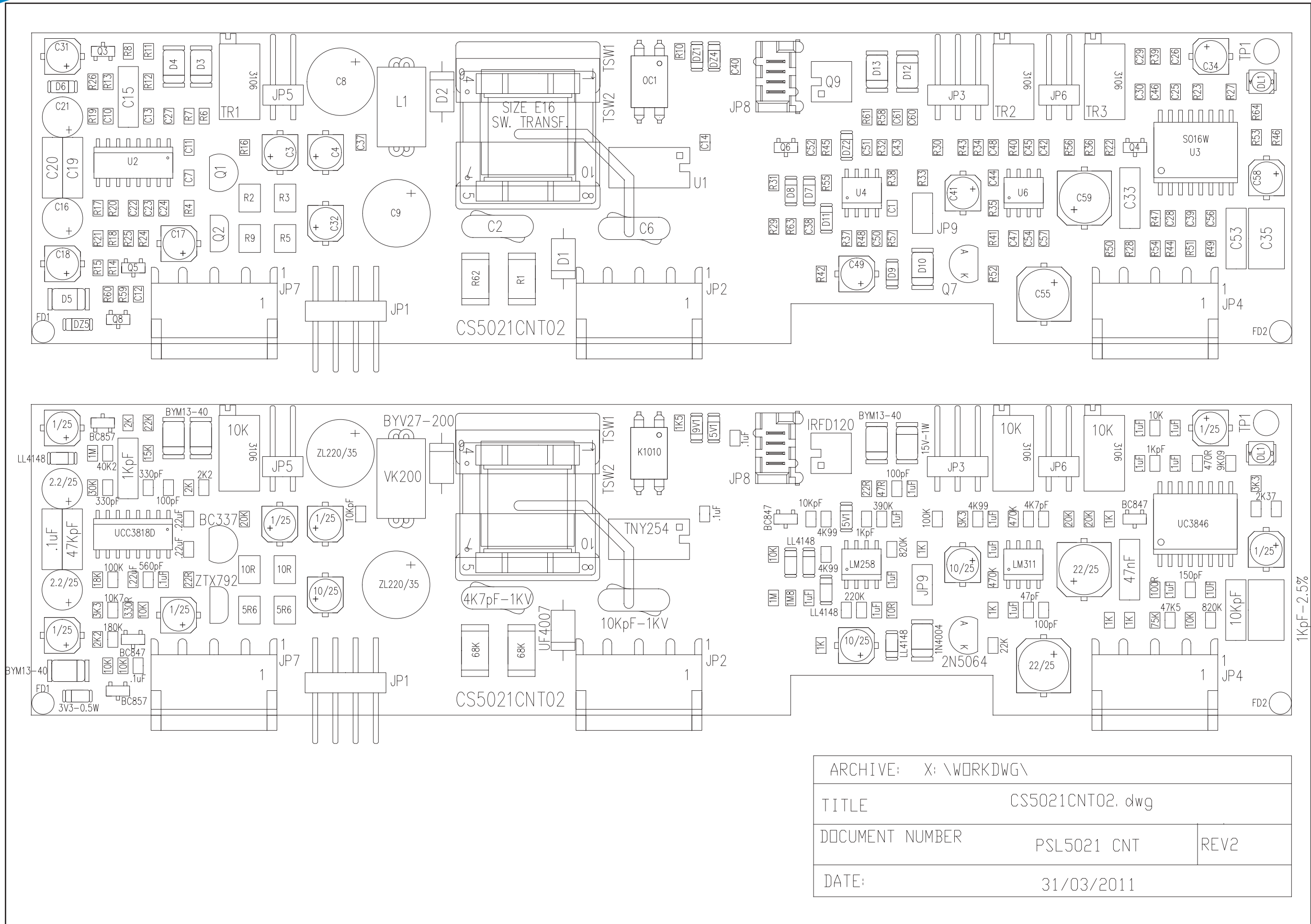
Tommasi A.

Bill Of Page1

Item	Quantity	Reference	Part	Description
1	2	JP10,JP4	CN05MMOLKK	Conn. Molex maschio serie KK p 3.96
2	8	JP2,JP5,JP6,JP7,JP8,JP11,JP13,JP14	CN04MMOLKK	Conn. Molex maschio serie KK p 3.96
3	1	CST1	CS5021PWR02	Circuito stampato
4	1	CS1	PE-51718	Inductor current sense
5	4	C1,C7,C8,C45	2,2nF	Cond. ceramico p 7mm Y2
6	2	C2,C23	220uF/35V	Cond. Elettr. Dia 8 P3 105°C
7	1	C3	2,2uF/400V	Cond. Poli. p 27mm
8	1	C4	0,1uF/400V	Cond. Poliestere p 15mm
9	1	C5	4,7uF/400V	Cond. Elettr. Dia 10 P5.08-105°C
10	3	C6,C9,C25	1nF/1000V	Cond. Poliestere p 10mm
11	6	C10,C12,C22,C24,C27,C28	100nF	Cond. ceramico p 5mm
12	1	C11	100pF/1000V	Cond. ceramico p 5mm alta tensione
13	3	C13,C15,C17	NC	Cond. Elettr. Dia 18 P7 105°C
14	3	C14,C16,C18	1800uF/63V	Cond. Elettr. Dia 18 P7 105°C
15	3	C19,C26,C31	100nF	Cond. Poliestere p 5mm
16	1	C20	1nF/1600V	Cond. Poliestere p 15mm
17	1	C21	NC	Cond. Poliestere p 10mm
18	1	C29	47uF/63V	Cond. Elettr. Dia 6.5 P2.54 105°C
19	2	C30,C34	1nF	Cond. Poliestere p 5mm
20	1	C32	47nF	Cond. Poliestere p 5mm (5*7mm)
21	1	C33	NC	Cond. Poliestere p 5mm
22	1	C35	1uF/400V	Cond. Poli. p 27mm
23	1	C36	220nF/250V	Cond. Poli. p 22mm X2
24	1	C37	470uF/400V	Cond. Elettr. Dia 35 P10 105°C
25	4	C39,C42,C43,C44	1uF	Cond. ceramico p 5mm
26	1	C40	100nF/250V	Cond. Poliestere p 15mm X2
27	1	C41	2,2uF/310V	Cond. Poli. p 27mm X2
28	2	D1,D7,D14	UF4007	Diode plastico DO41
29	2	D2,D3	STTH3R02	Diode Ultrafast DO201
30	2	D4,D5	ISL9R860P2	Diode Stealth TO220
31	1	D6	HFA50PA60	Doppio Diode TO217
32	1	D8	BYV27-200	Diode shottky SOD57
33	1	D9	TL431C	TO92 Reference
34	1	D10	20ETS08	Diode TO220
35	1	D11	CSD10060A	Diode Zero recovery TO220-2
36	1	D12	GSIB2560	Ponte diodi GSIB-5S
37	1	D13	1N4148	Diode in vetro DO35
38	8	FIX1,FIX2,FIX3,FIX4,FIX5,FIX6,FIX7,FIX8	FIX35	Foro fissaggio 3.5mm
39	1	FS1	PFS520SA	Portafusibile 5x20
40	1	F1	T16A	Fusibile Ritardato 5x20mm
41	1	JP1	NC	Strip maschio 2 pin

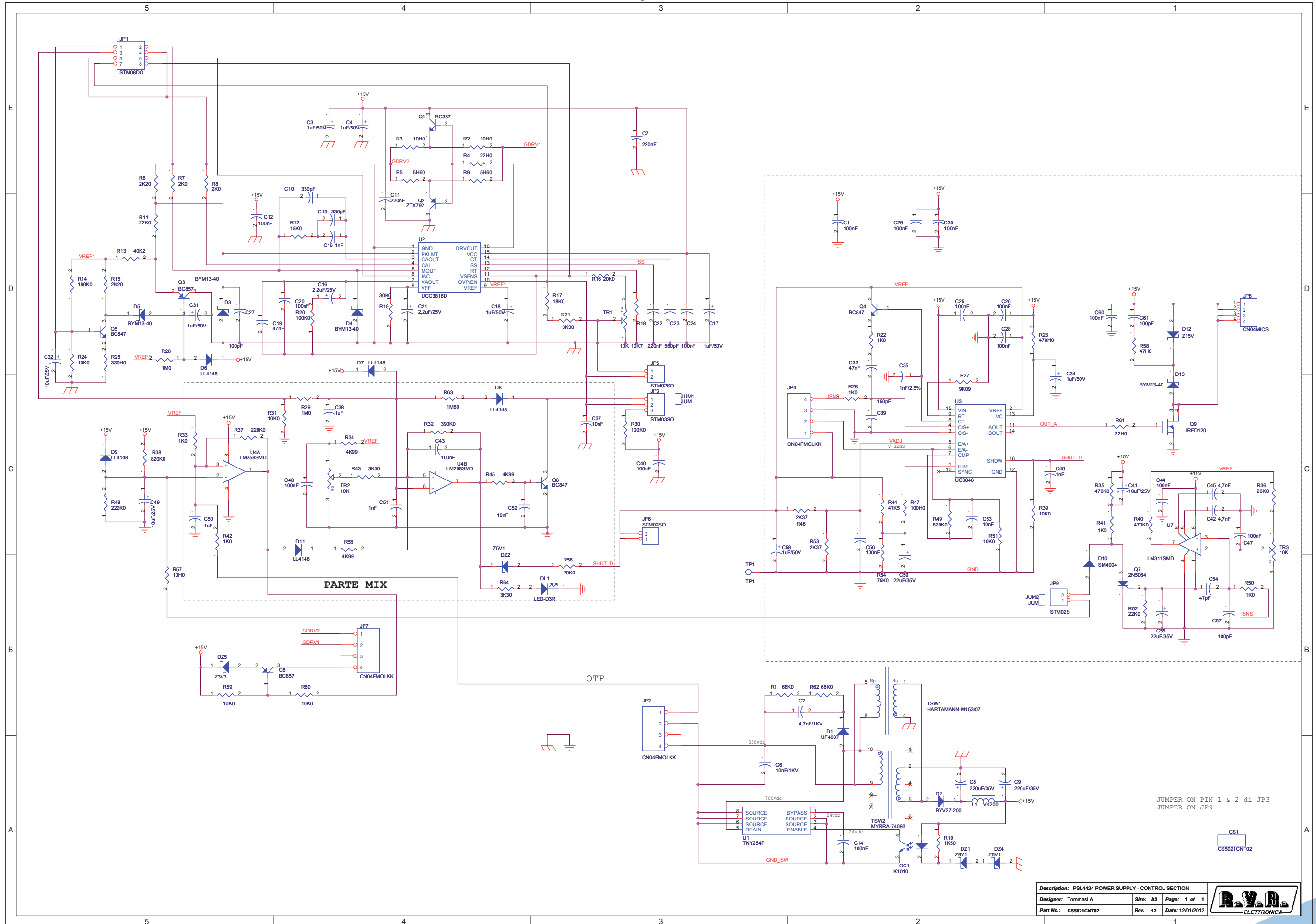
42	4	JP3,JP9,JP16,JP20	CN02MSF	Connettore 2 poli Lumberg MSF p 2.5mm
43	1	JP12	VDEKP01	Conn. VDE con interruttore
44	1	JP15	STF08D	Strip femmina 4+4 pin
45	1	JP17	NC	Conn. tipo KRA a 3 poli p 10mm
46	1	JP19	NC	Conn. tipo KRA a 2 poli
47	1	J1	CN16PDO	Conn.M.C.S.90° 16P alette.
48	1	K1	RLYG2R	Rele' OMRON G2R-1
49	1	L1	T-PSL	Trasf. Ventole PSL
50	1	L2	PSL-LINK	Ind. Link PSL
51	1	L3	VK200	Induttanza cilindrica VK200
52	1	L4	T-PFC5021	Induttanza PFC PSL5021
53	1	L5	100uH	Induttanza Neosid
54	1	OC1	K1010A	Optoisolatore DIP4
55	4	Q1,Q2,Q3,Q4	STW45NM50	
56	1	R1	S10K275	Varistor dia. 10mm
57	1	R1	4K70	Res. 1/4W 1%
58	1	R2	RXE185	Fusibile autorip. RXE p5mm
59	1	R3	RXE040	Fusibile autorip. RXE p5mm
60	2	R4,R9	10K	Res. filo 5W
61	4	R5,R10,R31,R32	10K0	Res. 1W Antifiamma
62	1	R6	100H	Res. strato 2W
63	1	R7	5H6	Res. strato 2W
64	1	R8	15H	Res. filo 5W
65	2	R11,R34	10H0	Res. 1/4W 1%
66	1	R12	2K49	Res. 1/4W 1%
67	1	R13	56K0	Res. 1/4W 1%
68	1	R14	37K4	Res. 1/4W 1%
69	1	R15	100K0	Res. strato 2W
70	1	R16	10K0	Res. 1/4W 1%
71	1	R17	3K0	Res. 1/4W 1%
72	1	R18	9K53	Res. 1/4W 1%
73	8	R19,R20,R21,R24,R25,R26,R27,R29	511K0	Res. 1/4W 1%
74	1	R22	470K0	Res. strato 2W
75	2	R23,R28	390K0	Res. 1/4W 1%
76	1	R30	10H-8A	Res. NTC di potenza p 6mm
77	1	R33	0H01	Shunt OAR 5W
78	1	TP1	TP1	Test point
79	1	TR1	10K	Trimmer Rg V 3296W
80	1	T1	TSWTCH29	Trasf. switching Tisci xx
81	1	U1	LM7805	Stabilizzatore TO220
82	1	X1	FSTCS	Faston da CS

PSL4424



ARCHIVE:	X:\WORKDWG\		
TITLE	CS5021CNT02.dwg		
DOCUMENT NUMBER	PSL5021 CNT	REV2	
DATE:	31/03/2011		

PSL4424



Description: PSL4424 POWER SUPPLY - CONTROL SECTION		R.V.R. ELETTRONICA	
Designer: Tommasi A.	Size: A2	Page: 1 of 1	
Part No.: CS5021CNT02	Rev: 12	Date: 12/01/2012	



PSL4424

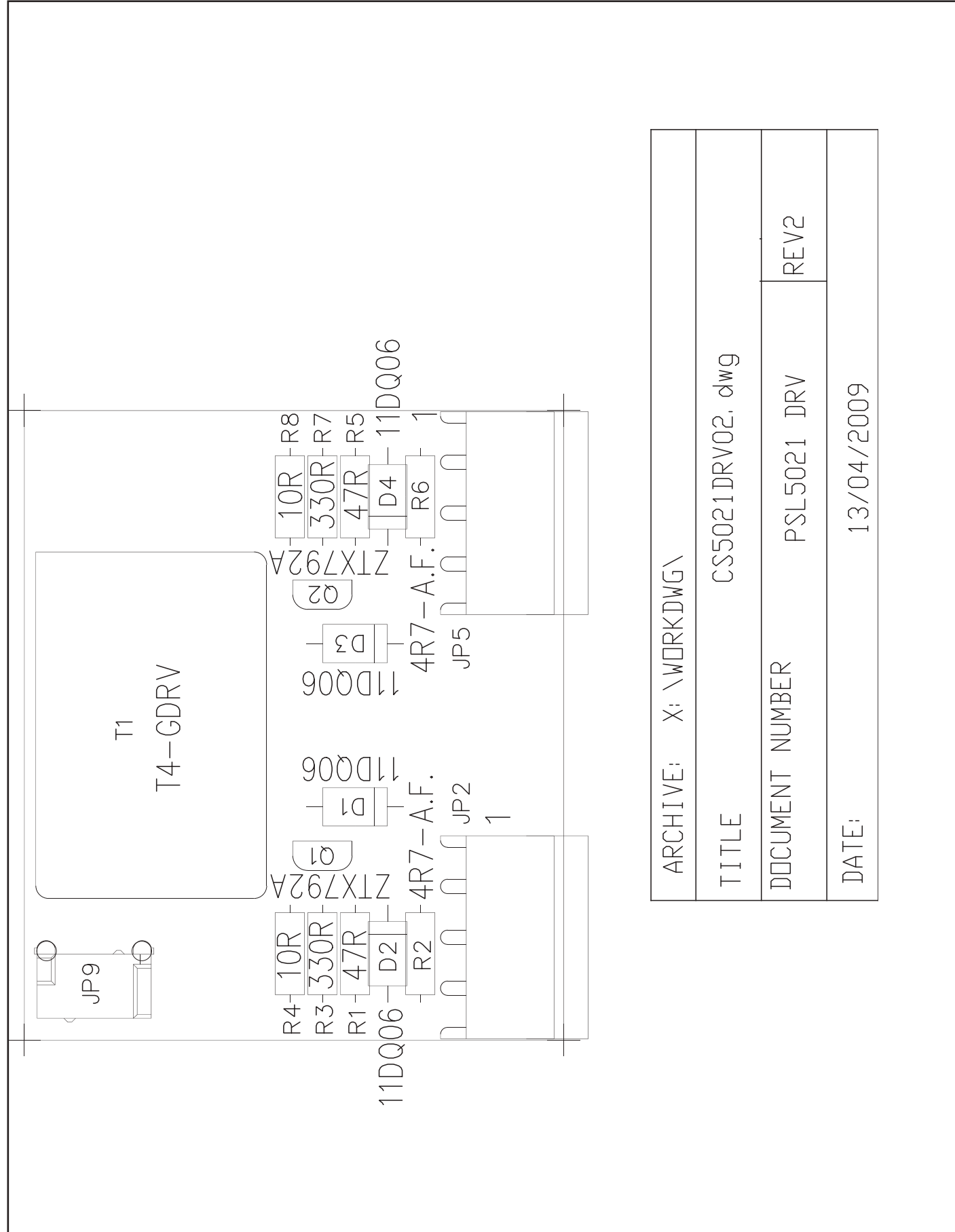
PSL4424 POWER SUPPLY - CONTROL SECTION Revised: 12/01/2012  
 CS5021CNT02 Revision: 12  
 RVR

Item	Quantity	Reference	Part	Description
1	1	CS1	CS5021CNT02	Circuito stampato
2	16	C1,C12,C14,C24,C25,C26,C28,C29,C30,C40,C43,C44,C47,C48,C56,C60	100nF	Cond. SMD 0805
3	1	C2	4,7nF/1KV	Cond. ceramico p 5mm alta tensione
4	7	C3,C4,C17,C18,C31,C34,C58	1uF/50V	Cond. Elett. SMD d. 4mm
5	1	C6	10nF/1KV	Cond. ceramico p 5mm alta tensione
6	3	C7,C11,C22	220nF	Cond. SMD 0805
7	2	C8,C9	220uF/35V	Cond. Elettr. Dia 8 P5 105°C
8	2	C10,C13	330pF	Cond. SMD 0805
9	1	C15	1nF	Cond. Poliestere p 5mm
10	2	C16,C21	2,2uF/25V	Cond. Elett. Tant. p. 2.5mm
11	2	C19,C33	47nF	Cond. Poliestere p 5mm
12	1	C20	100nF	Cond. Poliestere p 5mm
13	1	C23	560pF	Cond. SMD 0805
14	3	C27,C57,C61	100pF	Cond. SMD 0805
15	3	C32,C41,C49	10uF/25V	Cond. Elett. SMD d. 4mm
16	1	C35	1nF/2.5%	Cond. Poliestere p 5mm (5*7mm)
17	2	C37,C52	10nF	Cond. SMD 0805
18	2	C38,C50	1uF	Cond. SMD 0805
19	1	C39	150pF	Cond. SMD 0805
20	2	C42,C45	4,7nF	Cond. SMD 0805
21	2	C46,C51	1nF	Cond. SMD 0805
22	1	C53	10nF	Cond. Poliestere p 5mm
23	1	C54	47pF	Cond. SMD 0805
24	2	C55,C59	22uF/35V	Cond. Elett. SMD d. 6.3mm
25	1	DL1	LED-D3R	LED SMD PLCC2
26	1	DZ1	Z9V1	MINIMELF SMD Zener Diode
27	2	DZ2,DZ4	Z5V1	MINIMELF SMD Zener Diode
28	1	DZ5	Z3V3	MINIMELF SMD Zener Diode
29	1	D1	UF4007	Diode plastico DO41
30	1	D2	BYV27-200	Diode in vetro SOD57
31	4	D3,D4,D5,D13	BYM13-40	Diode shottky MELF
32	5	D6,D7,D8,D9,D11	LL4148	MINIMELF SMD Diode
33	1	D10	SM4004	MELF SMD Diode
34	1	D12	Z15V	MELF SMD Zener Diode
35	1	JP1	STM08DO	Strip maschio 4+4 pin 90°
36	3	JP2,JP4,JP7	CN04FMOLKK	Conn. Molex femm. serie KK p 3.96
37	1	JP3	STM03SO	Strip maschio 3 pin a 90°
38	2	JP5,JP6	STM02SO	Strip maschio 2 pin a 90°
39	1	JP8	CN04MICS	Conn. Lumberg MICS
40	1	JP9	STM02S	Strip maschio 2 pin
41	2	JUM1,JUM2	JUM	Ponticello Jumper
42	1	L1	VK200	Induttanza cilindrica VK200
43	1	OC1	K1010	Optoisolatore DIP4
44	1	Q1	BC337	Trans. NPN TO92
45	1	Q2	ZTX792	Trans. PNP TO92
46	2	Q3,Q8	BC857	Trans. PNP SOT23
47	3	Q4,Q5,Q6	BC847	Trans. NPN SOT23
48	1	Q7	2N5064	TO92 SCR
49	1	Q9	IRFD120	Trans. FET N DIL4
50	2	R1,R62	68K0	Res. SMD 2512 1%

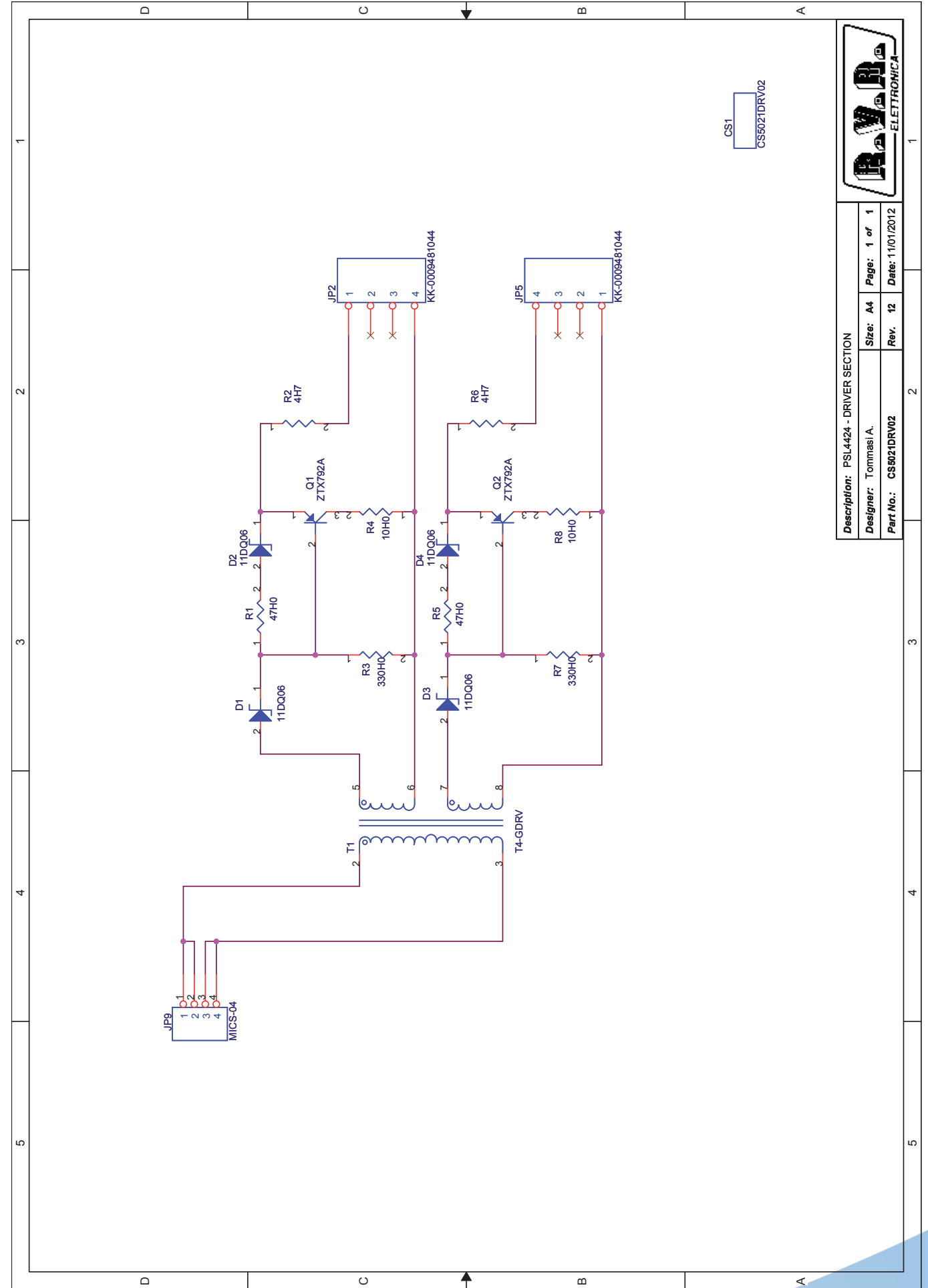
51	2	R2,R3	10H0	Res. SMD 1210
52	2	R4,R61	22H0	Res. SMD 0805
53	2	R5,R9	5H60	Res. SMD 1210
54	2	R6,R15	2K20	Res. SMD 0805
55	2	R7,R8	2K0	Res. SMD 0805
56	1	R10	1K50	Res. SMD 0805
57	2	R11,R52	22K0	Res. SMD 0805
58	1	R12	15K0	Res. SMD 0805
59	1	R13	40K2	Res. SMD 0805
60	1	R14	180K0	Res. SMD 0805
61	3	R16,R36,R56	20K0	Res. SMD 0805
62	1	R17	18K0	Res. SMD 0805
63	1	R18	10K7	Res. SMD 0805
64	1	R19	30K0	Res. SMD 0805
65	2	R20,R30	100K0	Res. SMD 0805
66	3	R21,R43,R64	3K30	Res. SMD 0805
67	6	R22,R28,R33,R41,R42,R50	1K0	Res. SMD 0805
68	1	R23	470H0	Res. SMD 0805
69	6	R24,R31,R39,R51,R59,R60	10K0	Res. SMD 0805
70	1	R25	330H0	Res. SMD 0805
71	2	R26,R29	1M0	Res. SMD 0805
72	1	R27	9K09	Res. SMD 0805
73	1	R32	390K0	Res. SMD 0805
74	1	R34,R45,R55	4K99	Res. SMD 0805
75	3	R35,R40	470K0	Res. SMD 0805
76	2	R37,R48	220K0	Res. SMD 0805
77	2	R38,R49	820K0	Res. SMD 0805
78	2	R44	47K5	Res. SMD 0805
79	1	R46,R53	2K37	Res. SMD 0805
80	2	R47	100H0	Res. SMD 0805
81	1	R54	75K0	Res. SMD 0805
82	1	R57	10H0	Res. SMD 0805
83	1	R58	47H0	Res. SMD 0805
84	1	R63	1M80	Res. SMD 0805
85	1	TP1	TP1	Test point
86	1	TR1,TR2,TR3	10K	Trimmer Rg H 3296X
87	3	TSW1	HARTAMANN-M153/07	
88	1	TSW2	MYRRA-74093	
89	1	U1	TNY254	Switching controller
90	1	U2	UCC3818D	Power Factor controller
91	1	U3	UC3846	Switching controller
92	1	U4	LM258SMD	Dual Op. SMD SO8
93	1	U7	LM311SMD	Comp. SMD SO8



PSL4424



ARCHIVE:	X:\WORKDWG\
TITLE	CS5021DRV02.dwg
DOCUMENT NUMBER	PSL5021 DRV
DATE:	13/04/2009
	REV2



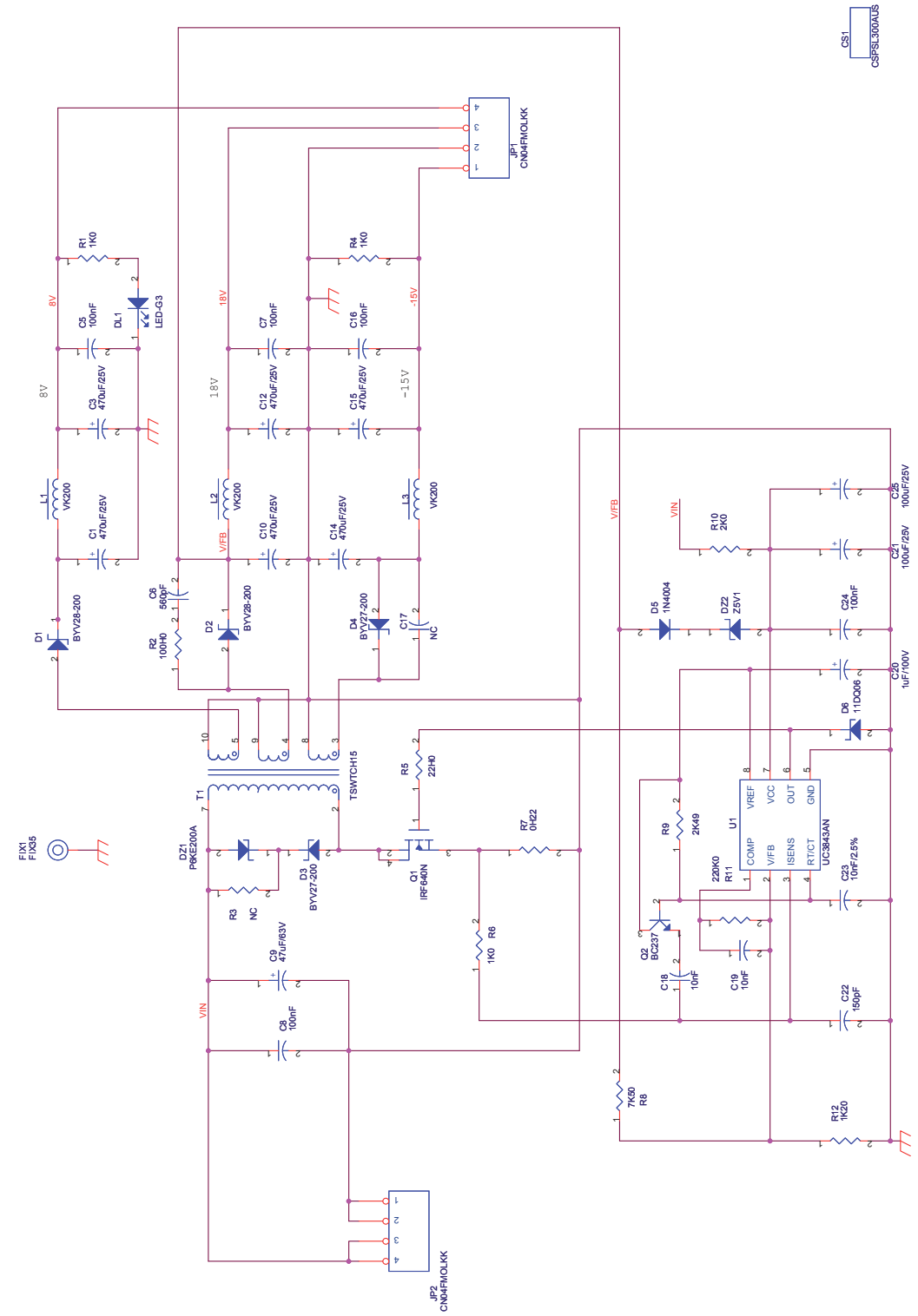
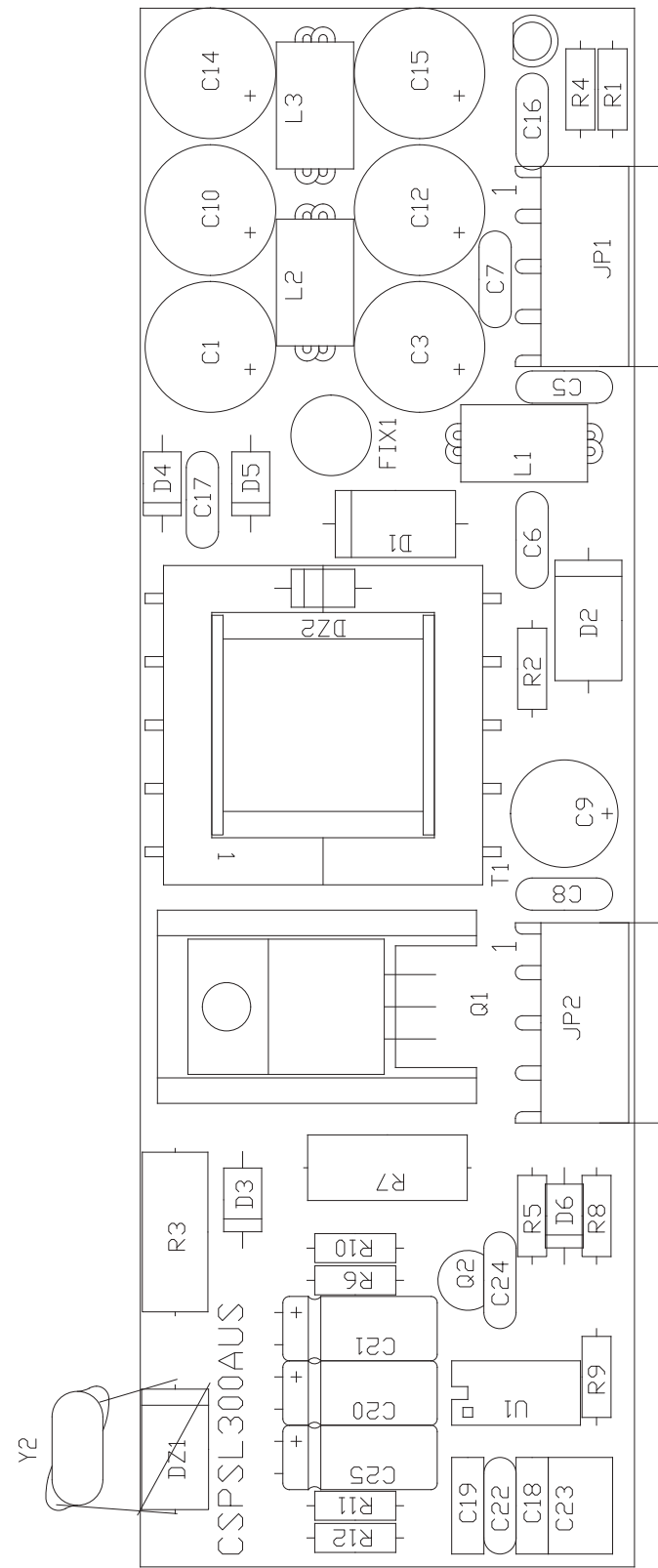
Description: PSL4424 - DRIVER SECTION	
Designer: Tommasi A.	Size: A4
Part No.: CS5021DRV02	Page: 1 of 1
	Rev. 12
	Date: 11/01/2012

PSL4424

PSL4424 - DRIVER SECTION Revised: 11/01/2012  
 CS5021DRV02 Revision: 12  
 RVR

Item	Quantity	Reference	Part	Description
1	1	CS1	CS5021DRV02	Circuito stampato
2	4	D1,D2,D3,D4	11DQ06	Diodo shottky DO41G
3	2	JP2,JP5	KK-0009481044	Conn. Molex femm. serie KK p 3.96
4	1	JP9	MICS-04	Conn. Lumberg MICS
5	2	Q1,Q2	ZTX792A	Trans. PNP TO92
6	2	R1,R5	47H0	Res. 1/4W 1%
7	2	R2,R6	4H70	Res. 1W 5%Antifiamma
8	2	R3,R7	330H0	Res. 1/4W 1%
9	2	R4,R8	10H0	Res. 1/4W 1%
10	1	T1	T4-GDRV	Gate driver transformer

PSL4424



	PRODUCT NAME : TEX150-LCD	PART NAME : Auxiliary Power Supply Card				
	DESIGNER : U.T. - rev: J. Berti	DATE : 24/10/2005	REVISION : 1.0	SCALE : 2:1	SIZE : A4	PAGE : 3 DI 3
ARCHIVING : *RVRUT* SERVER, *RILASCIATI* FOLDER	PROJECT CODE : 030	DOCUMENT CODE : PSL300				



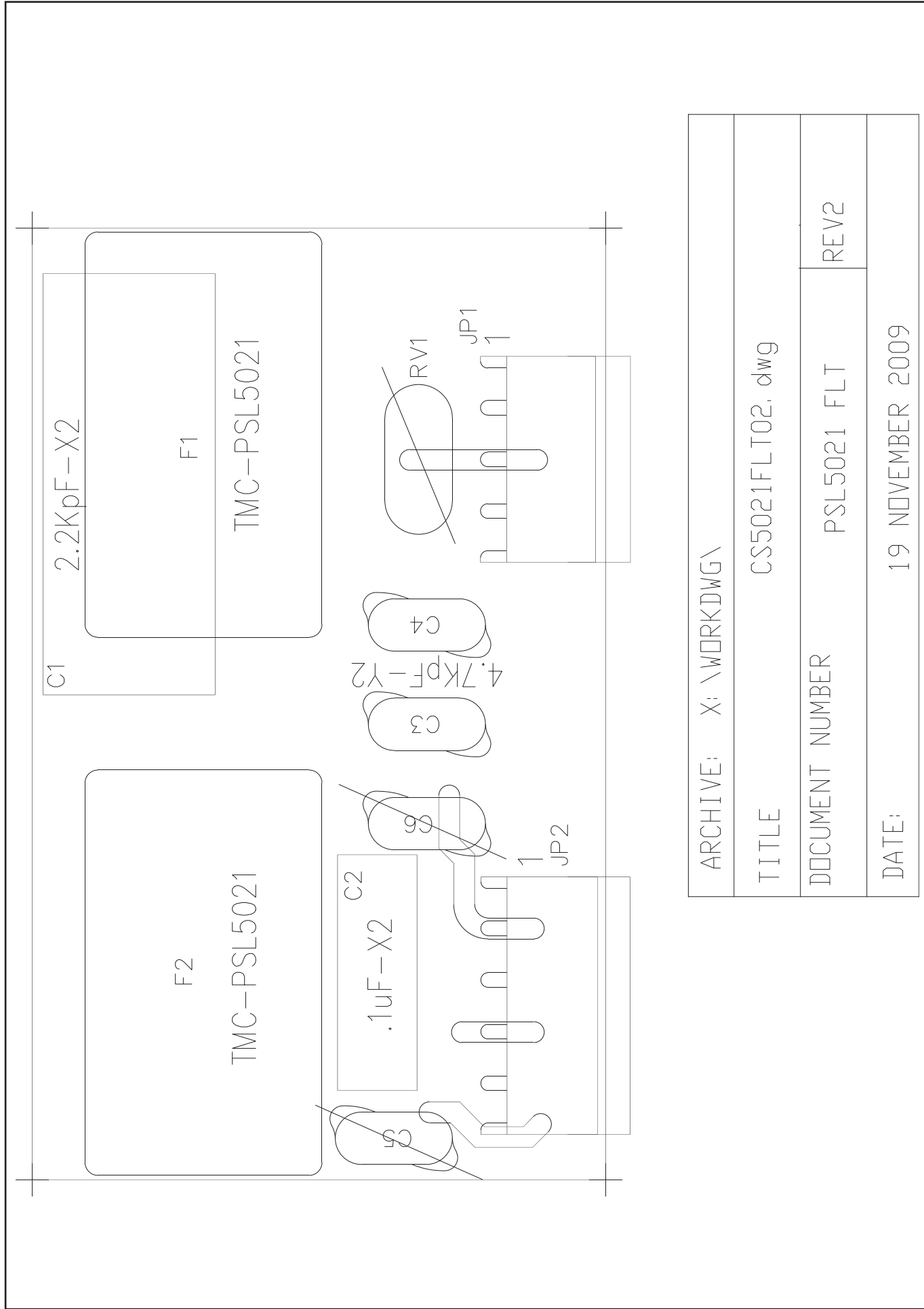
Description: PSL4424 POWER SUPPLY - AUXILIARY CARD	Sheet: A3	Page: 1 of 1
Designer: Tommaso A.	Rev: 12	Date: 12/01/2012
Part No.: CSPSL300AUS		

PSL4424

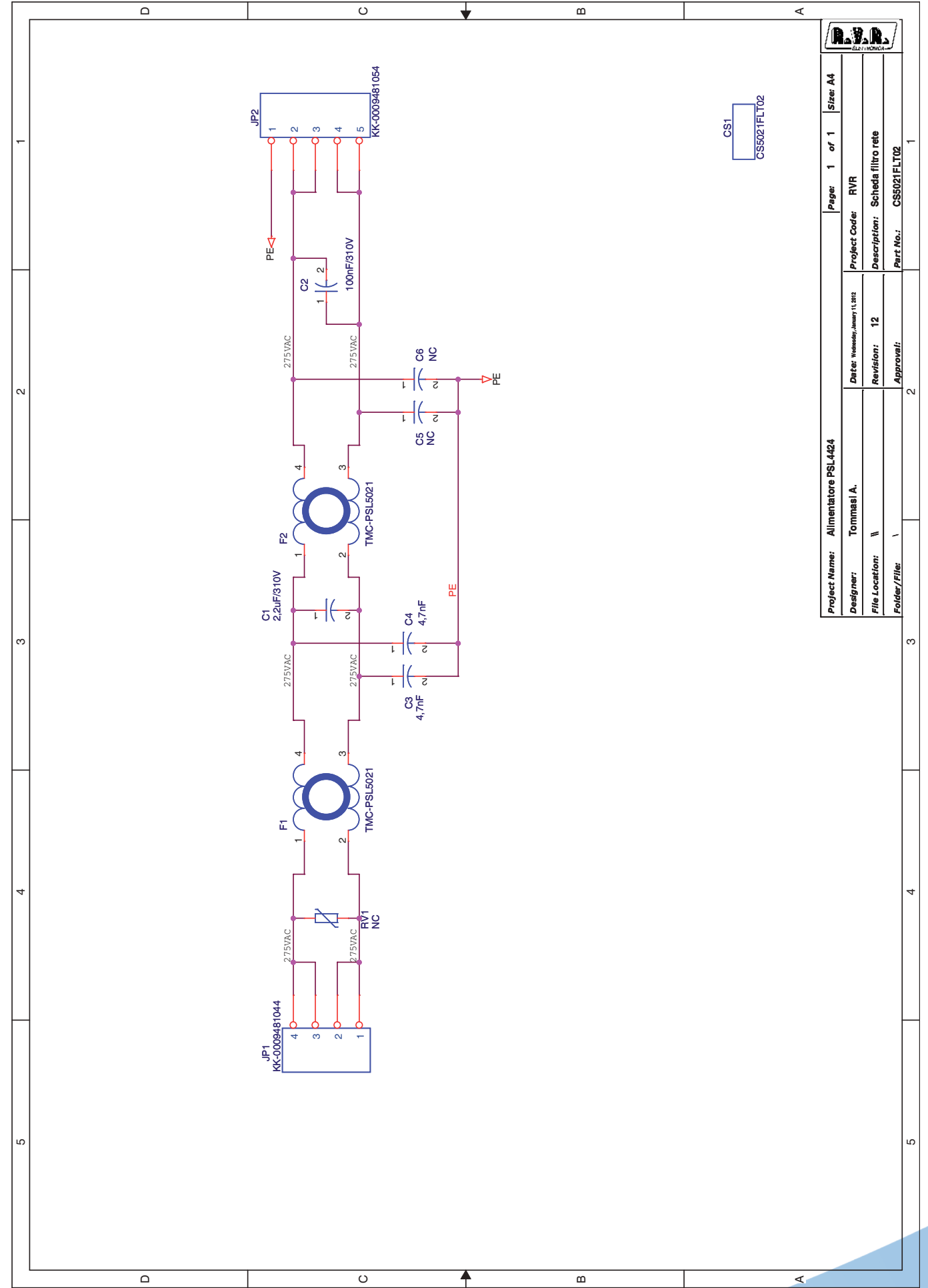
PSL4424 POWER SUPPLY - AUXILIARY CARD Revised: 12/01/2012  
 CSPSL300AUS Revision: 12  
 RVR

Item	Quantity	Reference	Part	Description
1	1	CS1	CSPSL300AUS	Circuito stampato
2	6	C1,C3,C10,C12,C14,C15	470uF/25V	Cond. Elettr. Dia 10 P5.08-105°C
3	4	C5,C7,C16,C24	100nF	Cond. ceramico p 5mm
4	1	C6	560pF	Cond. ceramico p 5mm
5	1	C8	100nF	Cond. Poliestere p 5mm
6	1	C9	47uF/63V	Cond. Elettr. Dia 6.5 P2.54 105°C
7	1	C17	NC	Cond. ceramico p 5mm
8	2	C18,C19	10nF	Cond. ceramico p 5mm
9	1	C20	1uF/100V	Cond. Elettr. Dia 5 P2.54
10	2	C21,C25	100uF/25V	Cond. Elettr. Dia 5 P2.54
11	1	C22	150pF	Cond. ceramico p 5mm
12	1	C23	10nF/2.5%	Cond. Poliestere p 5mm (5*7mm)
13	1	DL1	LED-G3	LED Verde dia. 3mm
14	1	DZ1	P6KE200A	5W Transient Voltage Supp.
15	1	DZ2	Z5V1	1W Zener Diode
16	2	D1,D2	BYV28-200	Diodo shottky SOD64
17	2	D3,D4	BYV27-200	Diodo shottky SOD57
18	1	D5	1N4004	Diodo plastico DO41
19	1	D6	11DQ06	Diodo shottky DO41G
20	1	FIX1	FIX35	Foro fissaggio 3.5mm
21	2	JP1,JP2	CN04FMOLKK	Conn. Molex femm. serie KK p 3.96
22	3	L1,L2,L3	VK200	Induttanza cilindrica VK200
23	1	Q1	IRF640N	Trans. FET N TO220
24	1	Q2	BC237	Trans. NPN TO92
25	3	R1,R4,R6	1K0	Res. 1/4W 1%
26	1	R2	100H0	Res. 1/4W 1%
27	1	R3	NC	Res. 1/4W 1%
28	1	R5	22H0	Res. 1/4W 1%
29	1	R7	0H22	Res. strato 2W
30	1	R8	7K50	Res. 1/4W 1%
31	1	R9	2K49	Res. 1/4W 1%
32	1	R10	2K0	Res. 1/4W 1%
33	1	R11	220K0	Res. 1/4W 1%
34	1	R12	1K20	Res. 1/4W 1%
35	1	T1	TSWTCH15	Trasf. switching Tisci15
36	1	U1	UC3843AN	SO8 Switching controller

PSL4424



ARCHIVE:	X:\WORKDWG\
TITLE	CS5021FLT02.dwg
DOCUMENT NUMBER	PSL5021 FLT
DATE:	19 NOVEMBER 2009
	REV2



Project Name: Alimentatore PSL4424		Page: 1 of 1	Size: A4
Designer: Tommasi A.	Date: 19/11/2009	Project Code: RVR	
File Location: \	Revision: 12	Description: Scheda filtro rete	
Folder/File: 1	Approval:	Part No.: CS5021FLT02	

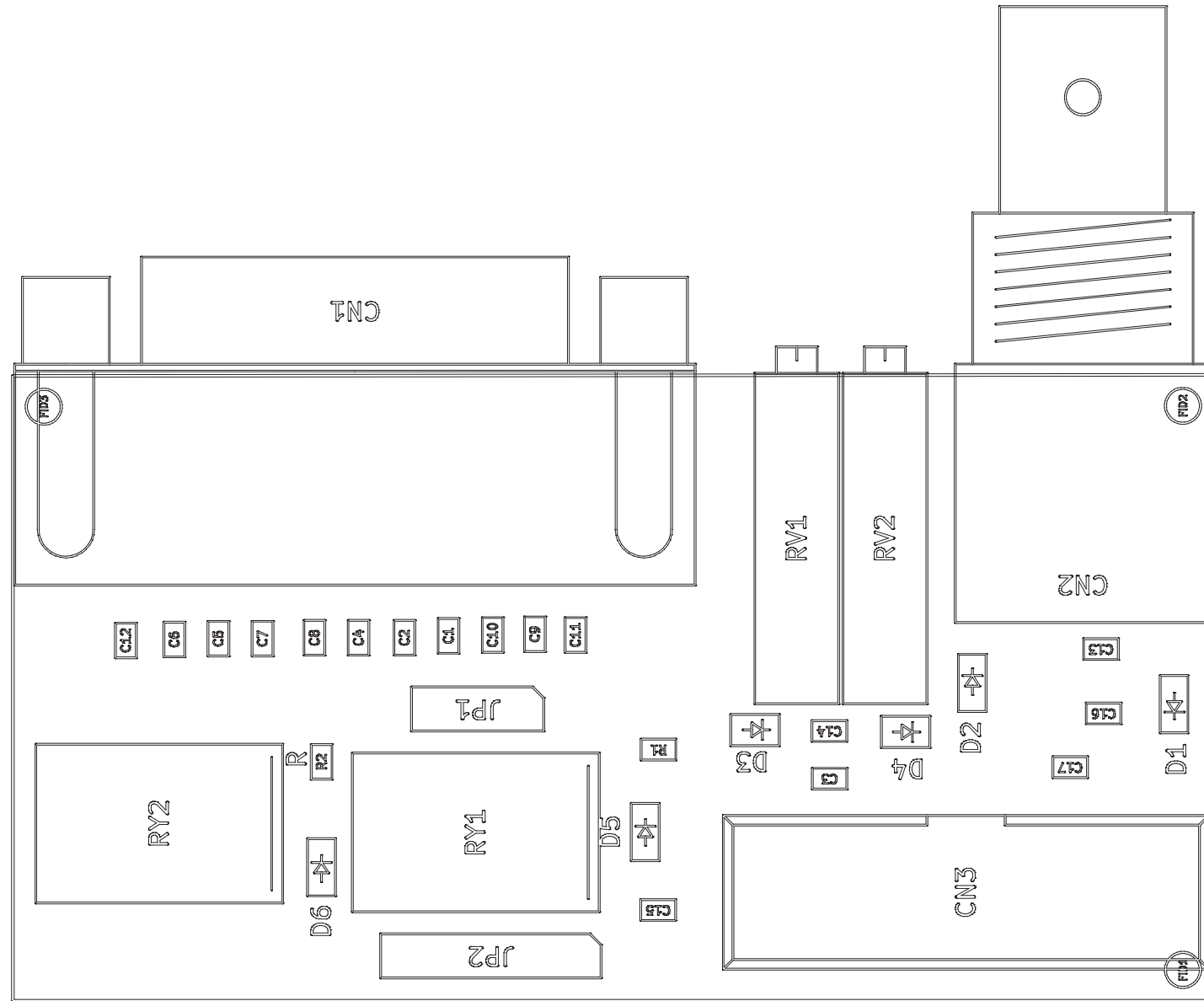
PSL4424

Scheda filtro rete Revised: Wednesday, January 11, 2012  
 CS5021FLT02 Revision: 12

Alimentatore PSL4424  
 RVR

Item	Quantity	Reference	Part	Description
1	1	CS1	CS5021FLT02	Circuito stampato
2	1	C1	2,2uF/310V	Cond. Poli. p 27mm X2
3	1	C2	100nF/310V	Cond. Poliestere p 15mm X2
4	2	C3,C4	4,7nF	Cond. ceramico p 7mm Y2
5	2	C5,C6	NC	Cond. ceramico p 7mm Y2
6	2	F1,F2	TMC-PSL5021	Ind. toroidale modo comune
7	1	JP1	KK-0009481044	Conn. Molex femm. serie KK p 3.96
8	1	JP2	KK-0009481054	Conn. Molex femm. serie KK p 3.96
9	1	RV1	NC	Varistor dia. 7mm

SLTL0509R01V01



PRODUCT NAME : TEX-TFT

DESIGNER : FRANCESCHI A.

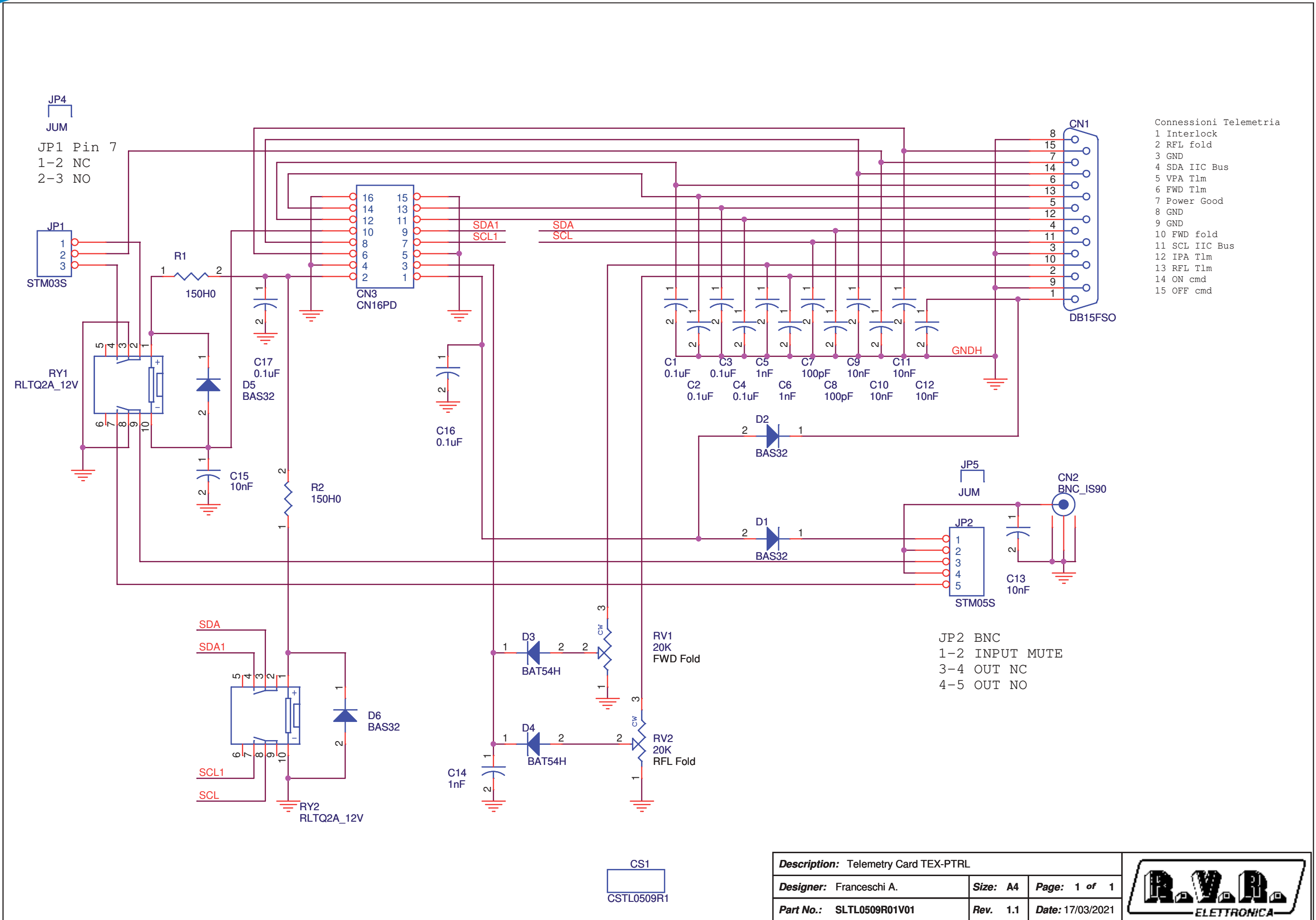
ARCHIVING : 'RVRUT' SERVER, 'RILASCIATI' FOLDER

PART NAME : TELEMETRY CARD

DATE : 22/06/20 | REVISION : 1.0 | SCALE : 2:1 | SIZE : A4 | PAGE : 1 DI 1

PROJECT CODE : <> | DOCUMENT CODE : SLTL0509R01V\*\*





SLTL0509R01V01

Telemetry Card TEX-PTRL Revised: 17/03/2021  
 SLTL0509R01V01 Revision: 1.1  
 Franceschi A.

Item	Quantity	Reference	Part	Description
1	1	CN1	DB15FSO	DB15 fem. PCB 90° conn.
2	1	CN2	BNC_IS90	Metal BNC conn. 90°
3	1	CN3	CN16PD	16 way pcb conn. with holder
4	1	CS1	CSTL0509R1	Printed Circuit board
5	6	C1, C2, C3, C4, C16, C17	0.1uF	0805 SMD capacitor
6	3	C5, C6, C14	1nF	0805 SMD capacitor
7	2	C7, C8	100pF	0805 SMD capacitor
8	6	C9, C10, C11, C12, C13, C15	10nF	0805 SMD capacitor
9	4	D1, D2, D5, D6	BAS32	MINIMELF SMD Diode
10	2	D3, D4	BAT54H	SOD123F SMD Diode
11	1	JP1	STM03S	Male strip 3 pin
12	1	JP2	STM05S	Male strip 5 pin
13	2	JP4, JP5	JUM	Jumper
14	2	RV1, RV2	20K	Trimmer Rg H 3006
15	2	RY1, RY2	RLTQ2A_12V	TQ2 relay
16	2	R1, R2	150H0	0805 SMD res.