



# TEX300LCD

TECHNICAL ANNEX  
VOLUME 2



R.V.R. Elettronica S.r.l.  
Via del Fonditore, 2 / 2c  
Zona Industriale Roveri - 40138 Bologna - Italy  
Phone: +39 051 6010506 - Fax: +39 051 6011104  
e-mail: info@rvr.it - web: http://www.rvr.it



The RVR Logo, and others referenced RVR products and services are trademarks of RVR Elettronica in Italy, other countries or both. RVR © 1998 all rights reserved.  
All other trademarks, trade names or logos used are property of their respective owners.

Manufactured by R.V.R. ELETTRONICA S.r.l. Italy



## Appendix A Piani di montaggio, schemi elettrici, liste componenti / *Component layouts, schematics, bills of material*

Questa parte del manuale contiene i dettagli tecnici riguardanti la costruzione delle singole schede componenti il TEX300LCD. L'appendice è composta dalle seguenti sezioni:

*This part of the manual contains the technical details about the different boards of the TEX300LCD. This appendix is composed of the following sections:*

Description	RVR Code	Vers.	Pages
Wiring Diagrams	/	3.0	1
Main Board	SLMA0383R02V01	1.1	3
Stereo Coder Card	SLCTC30V03	1.2	9
15kHz Audio Filter Card	SLAU0469R01V02	1.0	12
Control Card	SLCNTMOS07.300	1.3	15
PA RF Power Supply	SLPS0468R01V02	1.0	18
Power Amplifier	SLRF0484R03V01	1.1	20
Panel Card	SLPC0436R01V01	1.1	24
Power Supply	KPSL5012R01A	1.0	27
Telemetry Card	SLTLMTXLCD03	1.1	36

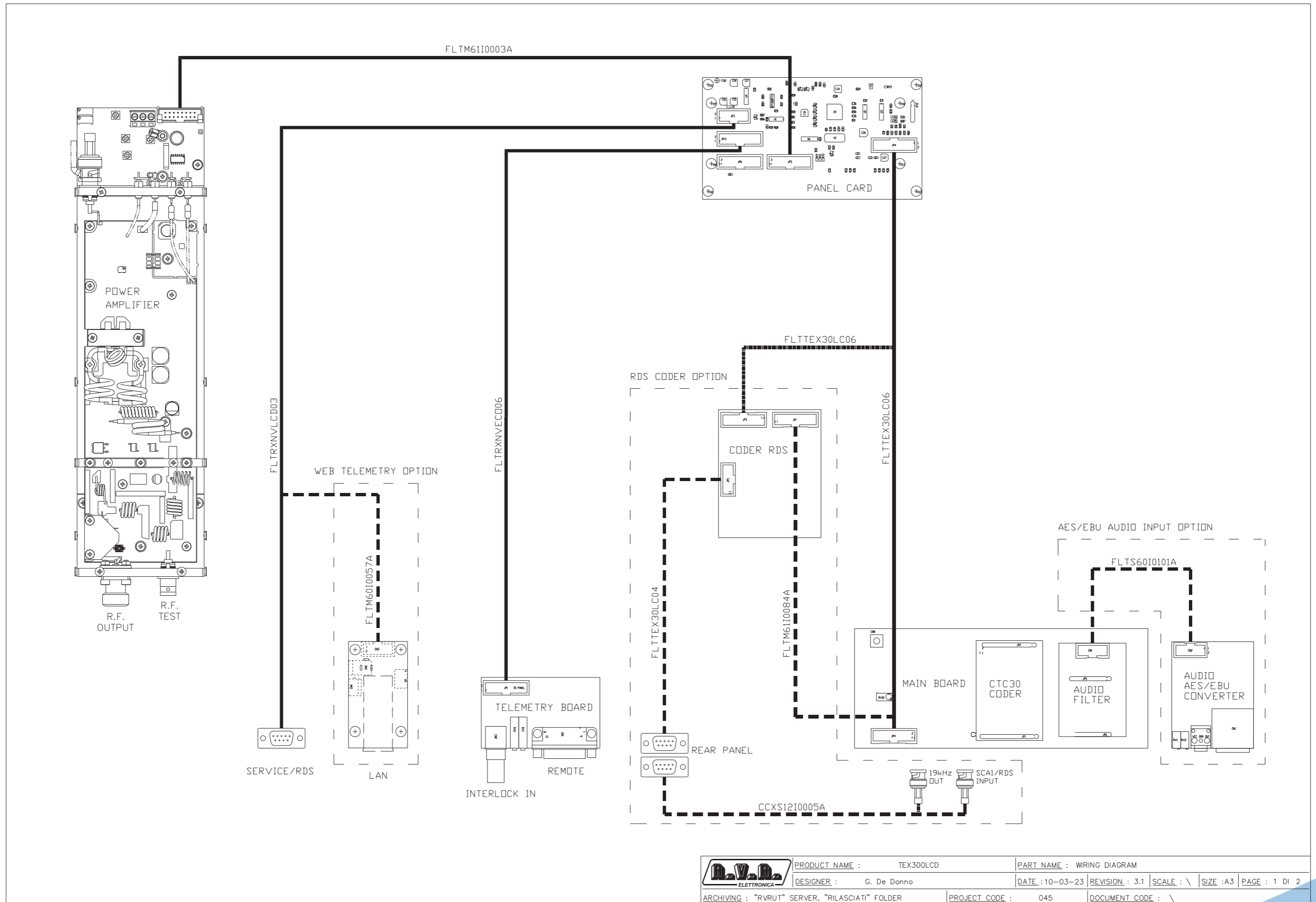
### Document History

Date	Version	Reason	Code	Editor
26/06/2019	2.0	First Release (Version 2)	/	J.H. Berti
10/03/2023	2.1	SLMA0383R02V01, SLCNTMOS07.300, SLPS0468R01V02, SLRF0408R03V01 & SLTL0509R01V01 upgrade	/	J.H. Berti

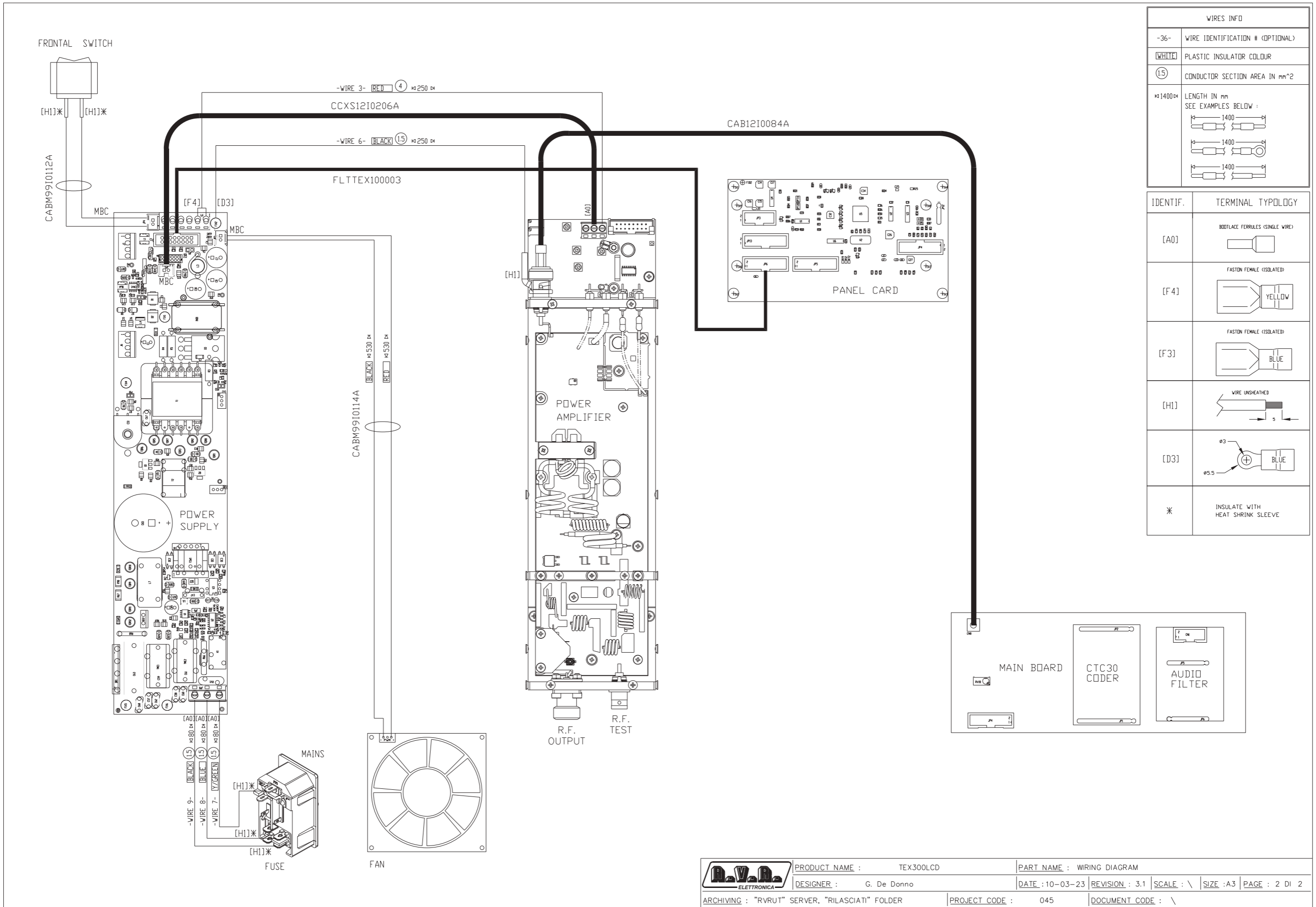
TEX300LCD

Spare Parts Name	Spare Parts Code
Switching power supply	KPSL5012R01A + SP-SRG085A
Mosfet with plate	KKTRNMRFE6VP660
RF final section	SP-FIN045A
Main audio card + PLL + VCO	SP-MBD175A
CPU panel & Display	SP-PAN175A
Telemetry	SP-TLM175A
Fan	VTL9G0824G102

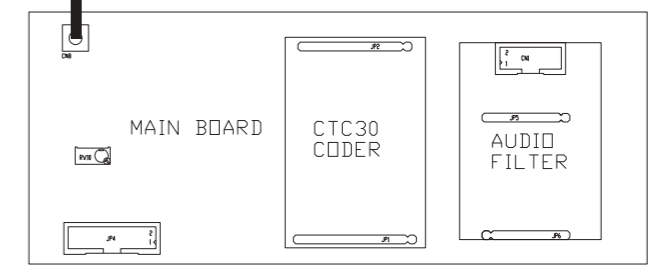




	PRODUCT NAME :	TEX300LCD	PART NAME :	WIRING DIAGRAM	
	DESIGNER :	G. De Donno	DATE :	10-03-23	
ARCHIVING :	"RVTR" SERVER, "RILASCIATI" FOLDER	PROJECT CODE :	045	DOCUMENT CODE :	\
			REVISION :	3.1	
			SCALE :	\	
			SIZE :	A3	
			PAGE :	1 DI 2	



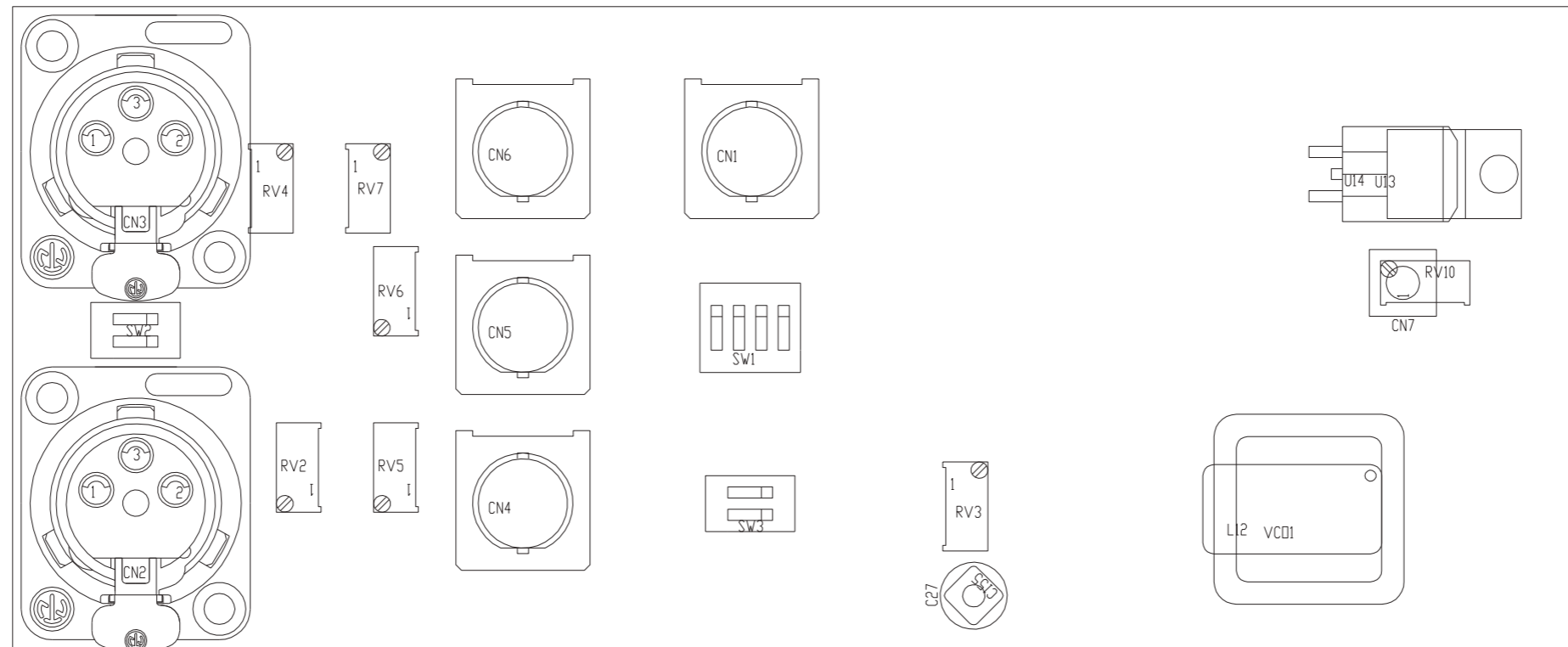
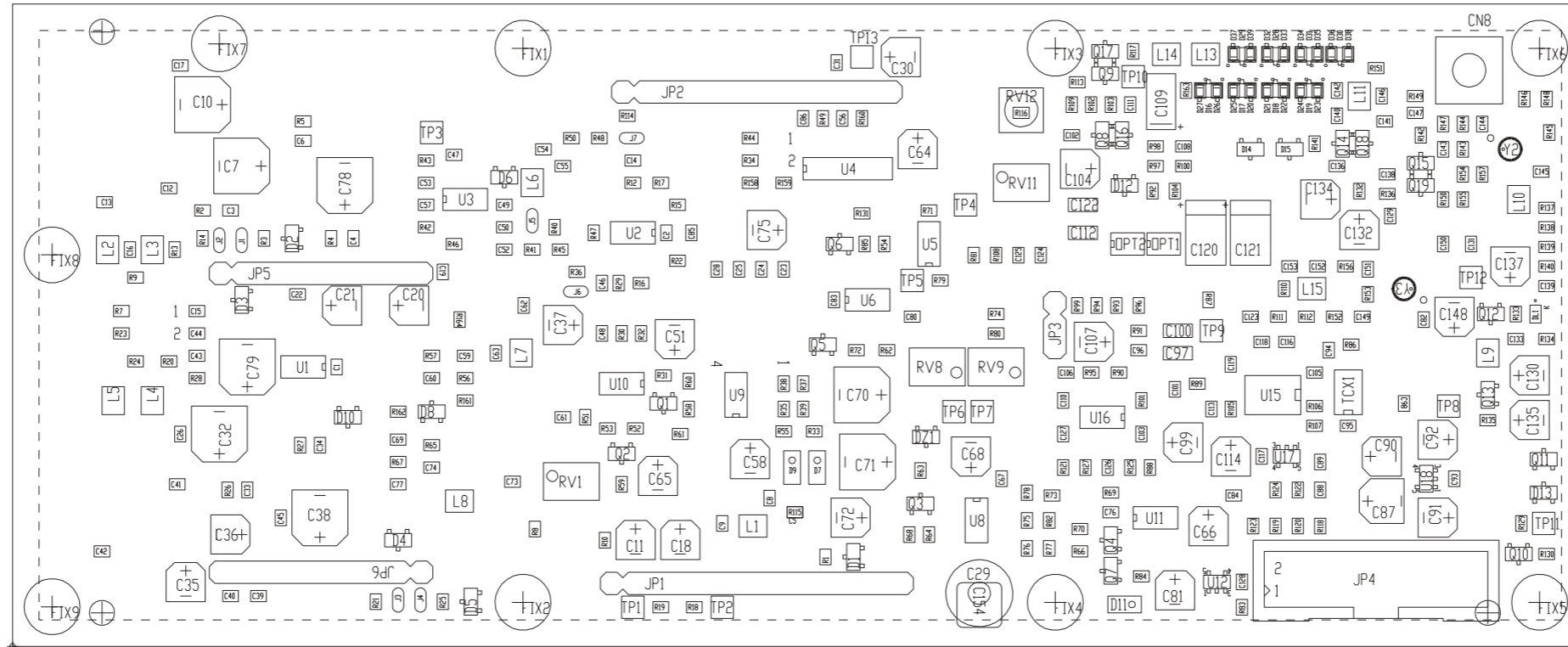
WIRES INFO	
-36-	WIRE IDENTIFICATION # (OPTIONAL)
WHITE	PLASTIC INSULATOR COLOUR
1.5	CONDUCTOR SECTION AREA IN mm <sup>2</sup>
$\approx 1400$ $\mu$	LENGTH IN mm SEE EXAMPLES BELOW :
IDENTIF.	TERMINAL TYPOLOGY
[A0]	BOOTLACE FERRULES (SINGLE WIRE) 
[F4]	FASTON FEMALE (ISOLATED) 
[F3]	FASTON FEMALE (ISOLATED) 
[H1]	WIRE UNSHEATHED 
[D3]	
*	INSULATE WITH HEAT SHRINK SLEEVE



	PRODUCT NAME : TEX300LCD	PART NAME : WIRING DIAGRAM
	DESIGNER : G. De Donno	DATE : 10-03-23   REVISION : 3.1   SCALE : \   SIZE : A3   PAGE : 2 DI 2
ARCHIVING : "RVUT" SERVER, "RILASCIATI" FOLDER	PROJECT CODE : 045	DOCUMENT CODE : \



SLMA0383R02V01



PRODUCT NAME : TEX-LCD  
DESIGNER : A. TOMMASI

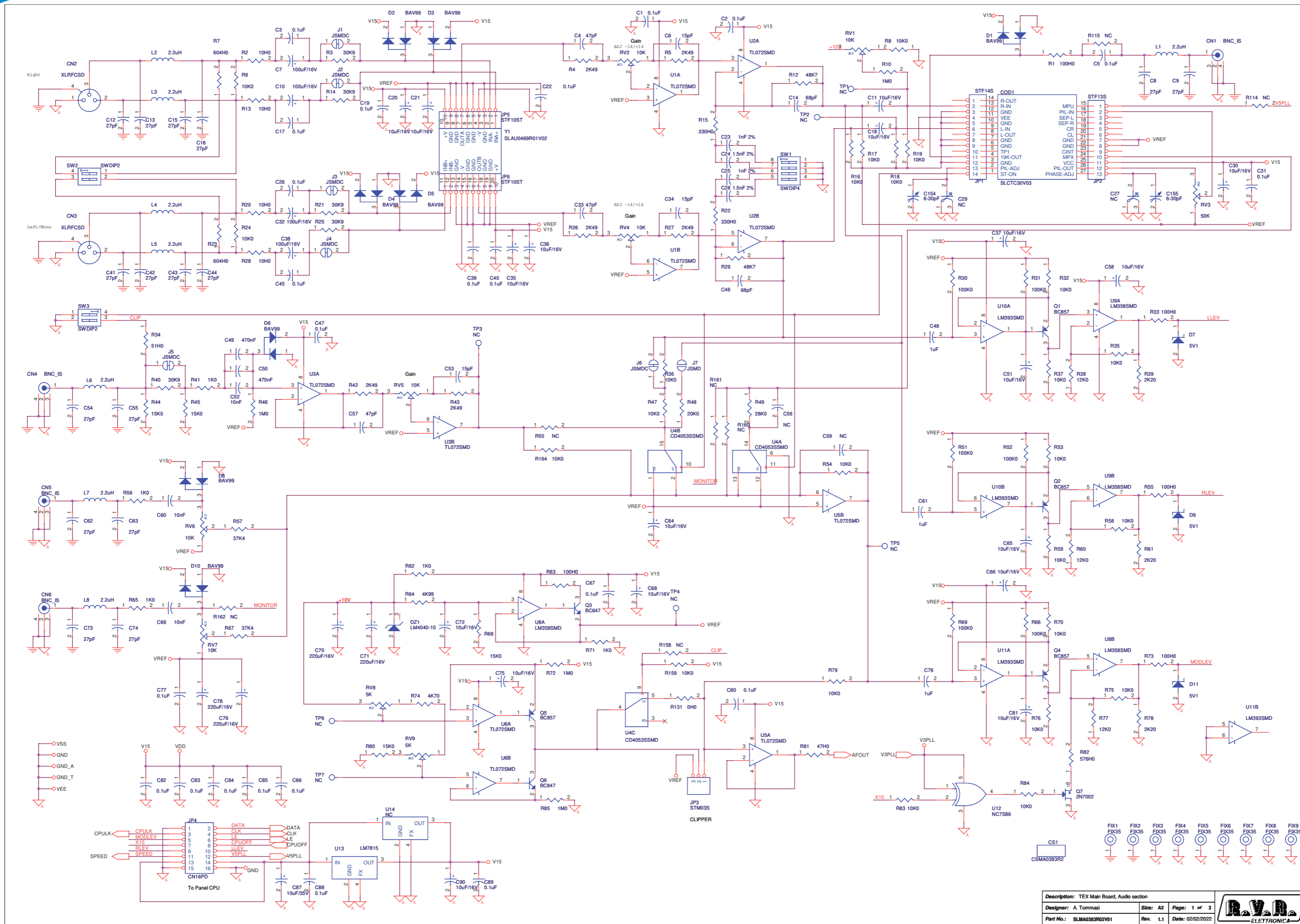
PART NAME : MAIN CARD

DATE : 18/08/21 REVISION : 1.0 SCALE : 1:1 SIZE : A4 PAGE : 1 DI 1

ARCHIVING : "RVJUT" SERVER, "RILASCIATI" FOLDER PROJECT CODE : <

DOCUMENT CODE : SLMA0383R02V01

SLMA0383R02V01

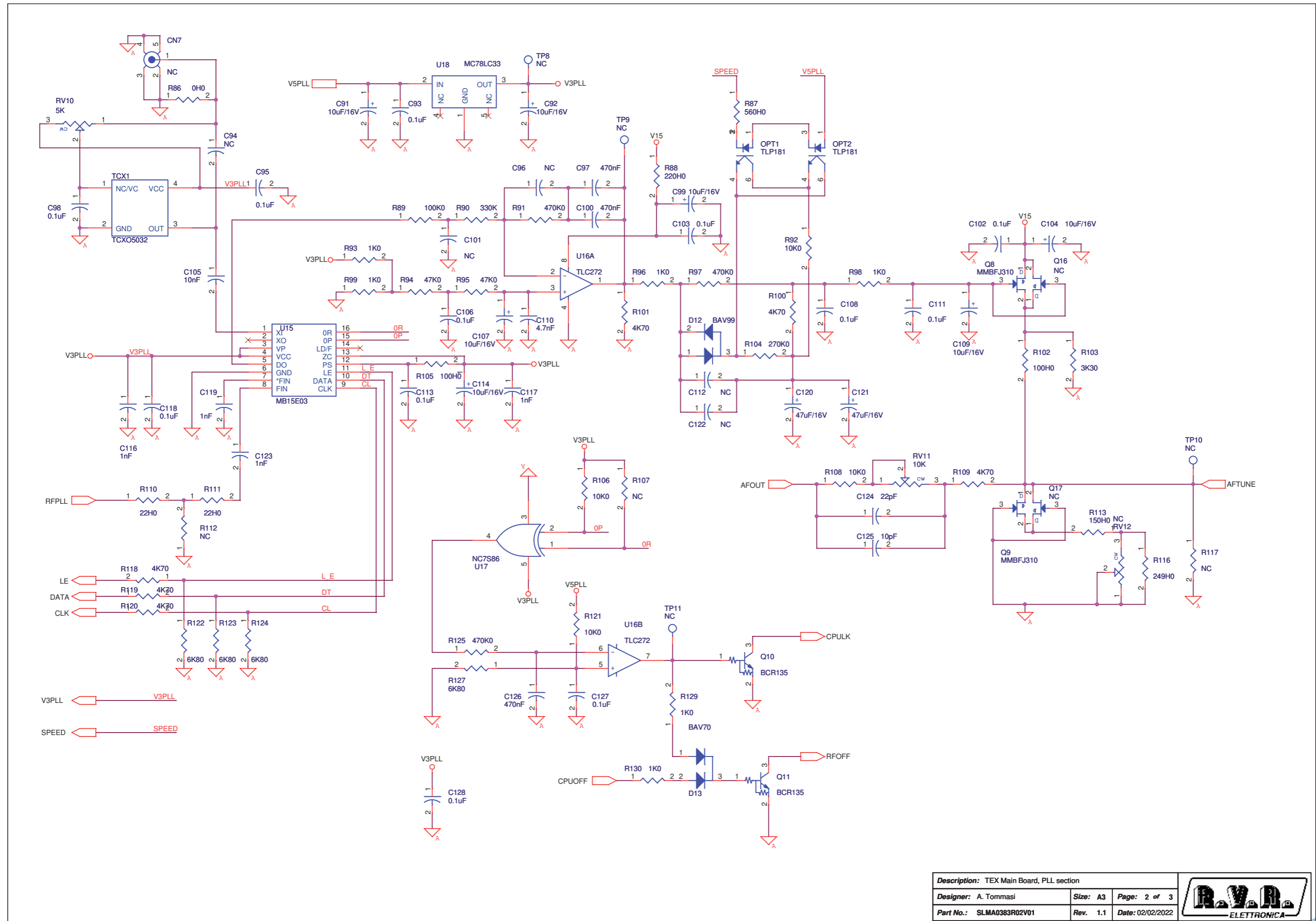


Description: TEX Main Board, Audio section		
Designer: A. Tommasi	Size: A2	Page: 1 of 3
Part No.: SLMA0383R02V01	Rev. 1.1	Date: 02/02/2022



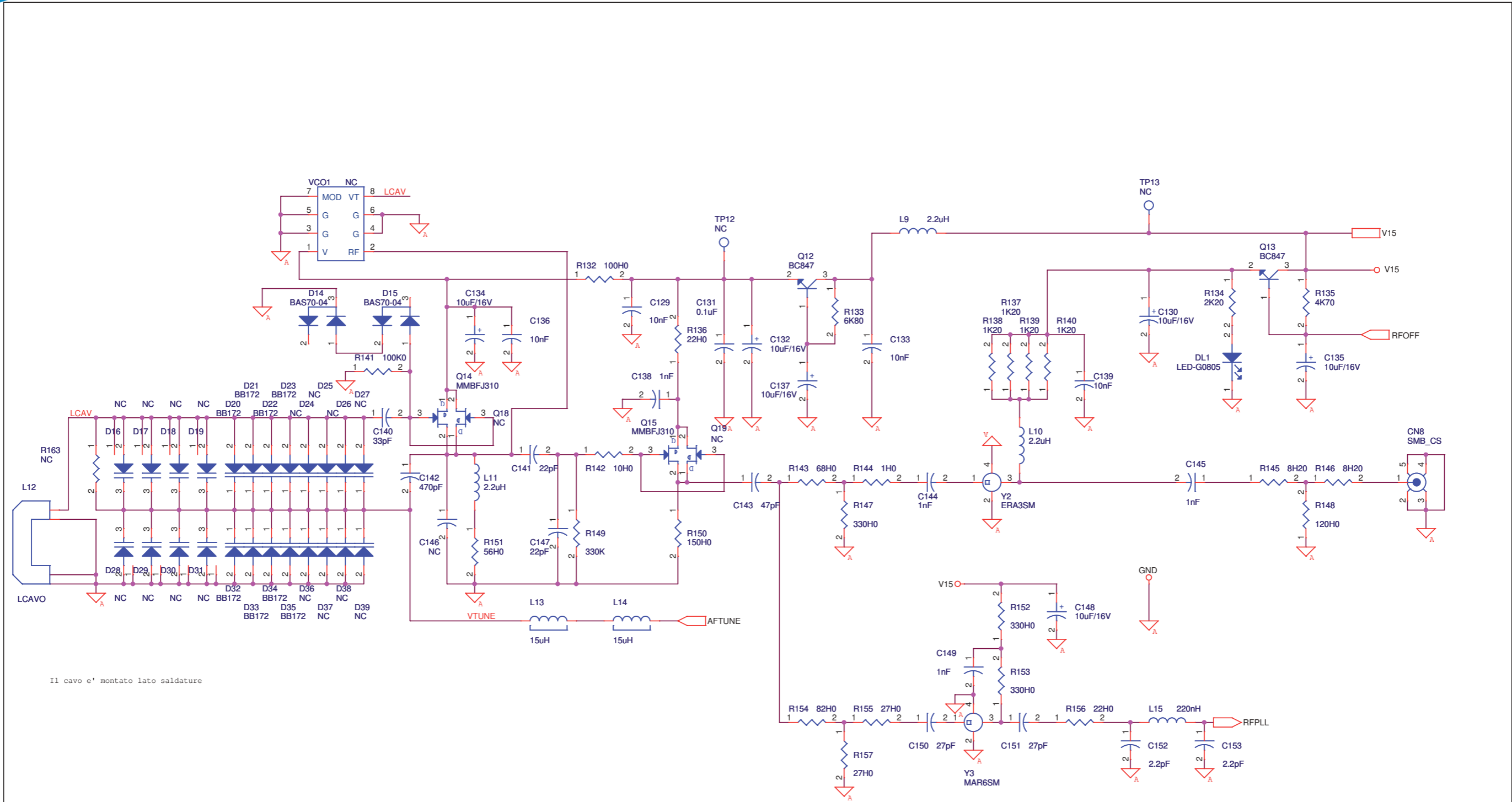


SLMA0383R02V01



<b>Description:</b> TEX Main Board, PLL section		
<b>Designer:</b> A. Tommasi	<b>Size:</b> A3	<b>Page:</b> 2 of 3
<b>Part No.:</b> SLMA0383R02V01	<b>Rev.:</b> 1.1	<b>Date:</b> 02/02/2022





Il cavo e' montato lato saldature

Description: TEX Main Board, VCO section		
Designer: A. Tommasi	Size: A3	Page: 3 of 3
Part No.: SLMA0383R02V01	Rev. 1.1	Date: 02/02/2022



## SLMA0383R02V01

TEX Main Board Revised: 02/02/2022  
 SLMA0383R02V01 Revision: 1.1  
 A. Tommasi

Item	Quantity	Reference	Part	Description
1	4	CN1, CN4, CN5, CN6	BNC_JS	BNC conn. 10x10 PCB
2	2	CN2, CN3	XLRFCSD	XLR fem. PCB conn.
3	1	CN7	NC	SMB pcb conn.
4	1	CN8	SMB_CS	SMB pcb conn.
5	1	COD1	SLCTC30V03	Stereo coder CTC30
6	1	CS1	CSMA0383R2	PCB
7	36	C1, C2, C3, C5, C17, C19, C22, C26, C31, C39, C40, C45, C47, C67, C77, C80, C82, C83, C84, C85, C86, C88, C89, C93, C95, C98, C102, C103, C106, C108, C111, C113, C118, C127, C128, C131	0.1uF	0805 SMD capacitor
8	4	C4, C33, C57, C143	47pF	0805 SMD capacitor
9	3	C6, C34, C53	15pF	0805 SMD capacitor
10	4	C7, C10, C32, C38	100uF/16V	SMD electr. cap. 6.3mm
11	18	C8, C9, C12, C13, C15, C16, C41, C42, C43, C44, C54, C55, C62, C63, C73, C74, C150, C151	27pF	0805 SMD capacitor
12	30	C11, C18, C20, C21, C30, C35, C36, C37, C51, C58, C64, C65, C66, C68, C72, C75, C81, C90, C91, C92, C99, C104, C107, C114, C130, C132, C134, C135, C137, C148	10uF/16V	Cond. Elett. SMD d. 4mm
13	2	C14, C46	68pF	0805 SMD capacitor
14	2	C23, C25	1nF 2%	0805 SMD capacitor COG
15	2	C24, C28	1.5nF 2%	0805 SMD capacitor COG
16	2	C27, C29	NC	Ceramic comp. dia. 7mm
17	3	C48, C61, C76	1uF	0805 SMD capacitor
18	3	C49, C50, C126	470nF	0805 SMD capacitor
19	8	C52, C60, C69, C105, C129, C133, C136, C139	10nF	0805 SMD capacitor
20	6	C56, C59, C94, C96, C101, C146	NC	0805 SMD capacitor
21	4	C70, C71, C78, C79	220uF/16V	SMD electr. cap. 6.3mm
22	1	C87	10uF/35V	SMD electr. cap. 5mm
23	2	C97, C100	470nF	1206 SMD capacitor
24	1	C109	10uF/16V	SMD tantalium cap. size C
25	1	C110	4.7nF	0805 SMD capacitor
26	2	C112, C122	NC	1206 SMD capacitor
27	8	C116, C117, C119, C123, C138, C144, C145, C149	1nF	0805 SMD capacitor
28	2	C120, C121	47uF/16V	SMD tantalium cap. size D
29	3	C124, C141, C147	22pF	0805 SMD capacitor
30	1	C125	10pF	0805 SMD capacitor
31	1	C140	33pF	0805 SMD capacitor
32	1	C142	470pF	0805 SMD capacitor
33	2	C152, C153	2.2pF	0805 SMD capacitor
34	2	C154, C155	6-30pF	Var. comp. Murata TZB4A
35	1	DL1	LED-G0805	SMD 0805 green led
36	1	DZ1	LM4040-10	SMD SOT23 precision Zener
37	9	D1, D2, D3, D4, D5, D6, D8, D10, D12	BAV99	Dual diode SMD SOT23
38	3	D7, D9, D11	5V1	MINIMELF SMD Zener Diode
39	1	D13	BAV70	Dual diode SMD SOT23
40	2	D14, D15	BAS70-04	Dual diode SMD SOT23
41	8	D16, D17, D18, D19, D28, D29, D30, D31	NC	Dual diode Varicap SMD SOT23
42	8	D20, D21, D22, D23, D32, D33, D34, D35	BB172	Varicap diode SOD323
43	8	D24, D25, D26, D27, D36, D37, D38, D39	NC	Varicap diode SOD323
44	9	FIX1, FIX2, FIX3, FIX4, FIX5, FIX6, FIX7, FIX8, FIX9	FIX35	Fixing hole 3.5mm
45	1	JP1	STF145	Female strip 14 pin
46	1	JP2	STF135	Female strip 13 pin
47	1	JP3	STM035	Male strip 3 pin
48	1	JP4	CN16PD	16 way pcb conn. with holder
49	2	JP5, JP6	STF10ST	Male strip 10 pin turned
50	6	J1, J2, J3, J4, J5, J6	JSMDC	2 pad SMD jumper half closed
51	1	J7	JSMDC	pad SMD jumper
52	11	L1, L2, L3, L4, L5, L6, L7, L8, L9, L10, L11	2.2uH	SMD inductor 3225 (1210)
53	1	L12	LCAVO	Induttanza a cavo RG
54	2	L13, L14	15uH	SMD inductor 3225 (1210) shielded
55	1	L15	220nH	SMD inductor 3225 (1210)
56	2	OPT1, OPT2	TLP181	Optocoupler SMD SO6
57	4	Q1, Q2, Q4, Q5	BC857	PNP trans. SOT23
58	4	Q3, Q6, Q12, Q13	BC847	NPN trans. SOT23
59	1	Q7	2N7002	Trans. FET SOT23
60	4	Q8, Q9, Q14, Q15	MMBFJ310	Trans. FET SOT23
61	2	Q10, Q11	BCR135	Digital NPN trans. SOT23
62	4	Q16, Q17, Q18, Q19	NC	Trans. FET SOT23
63	2	RV1, RV11	10K	Trimmer Rg V 3269W SMD
64	5	RV2, RV4, RV5, RV6, RV7	10K	Trimmer Rg V 3296W
65	1	RV3	50K	Trimmer Rg V 3296W
66	2	RV8, RV9	5K	Trimmer Rg V 3269W SMD
67	1	RV10	5K	Trimmer Rg V 3296W
68	1	RV12	NC	Trimmer SMD

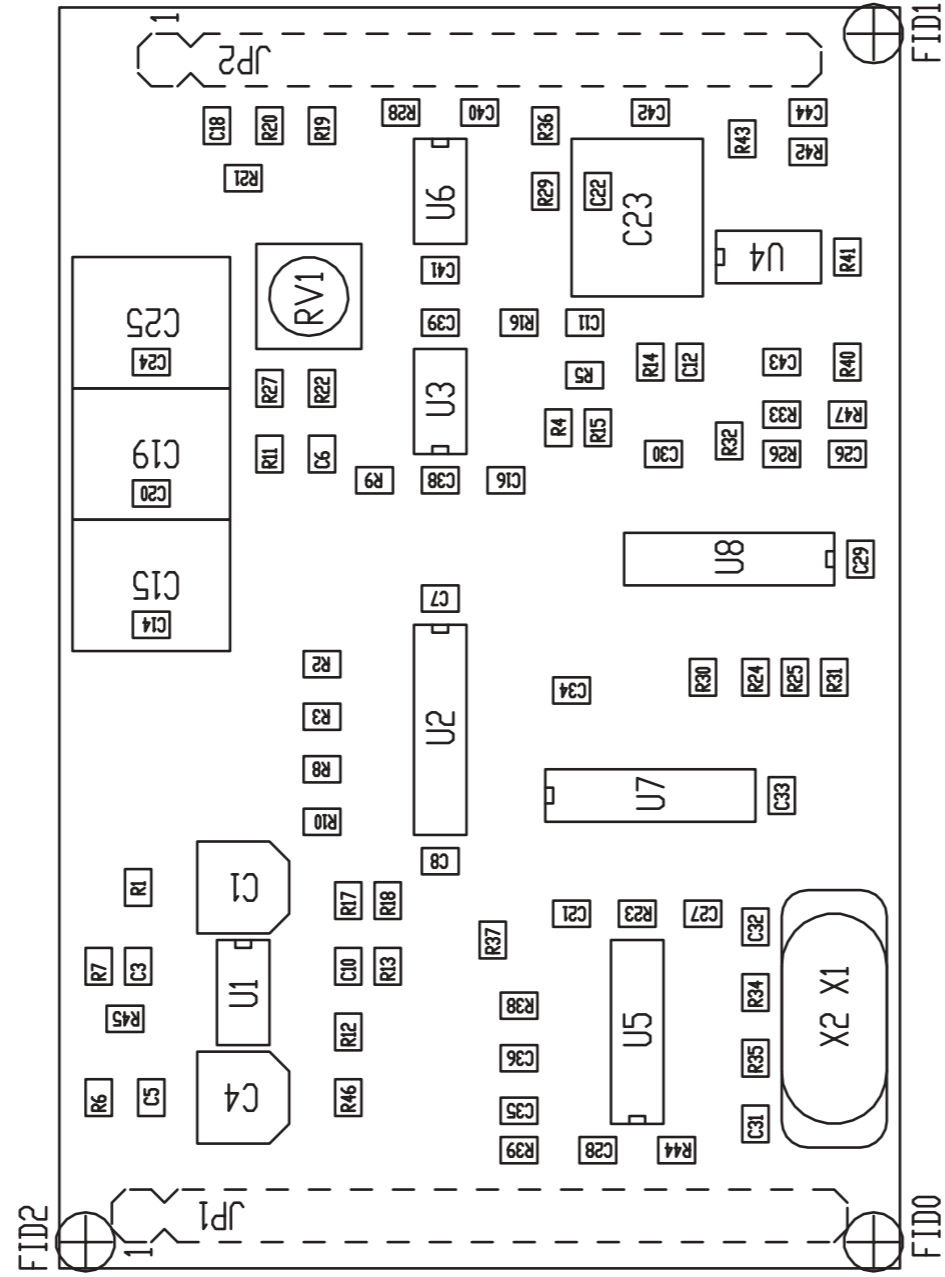
Item	Quantity	Reference	Part	Description
69	8	R1, R33, R55, R63, R73, R102, R105, R132	100H0	0805 SMD res.
70	5	R2, R13, R20, R28, R142	10H0	0805 SMD res.
71	5	R3, R14, R21, R25, R40	30K9	0805 SMD res.
72	6	R4, R5, R26, R27, R42, R43	2K49	0805 SMD res.
73	2	R7, R23	604H0	0805 SMD res.
74	28	R8, R9, R16, R17, R18, R19, R24, R32, R35, R36, R37, R47, R53, R54, R58, R59, R70, R75, R76, R79, R83, R84, R92, R106, R108, R121, R159, R164	10K0	0805 SMD res.
75	4	R10, R46, R72, R85	1M0	0805 SMD res.
76	2	R12, R29	48K7	0805 SMD res.
77	5	R15, R22, R147, R152, R153	330H0	0805 SMD res.
78	8	R30, R31, R51, R52, R66, R69, R89, R141	100K0	0805 SMD res.
79	1	R34	51H0	0805 SMD res.
80	3	R38, R60, R77	12K0	0805 SMD res.
81	4	R39, R61, R78, R134	2K20	0805 SMD res.
82	11	R41, R56, R62, R65, R71, R93, R96, R98, R99, R129, R130	1K0	0805 SMD res.
83	4	R44, R45, R68, R80	15K0	0805 SMD res.
84	1	R48	20K0	0805 SMD res.
85	1	R49	28K0	0805 SMD res.
86	11	R50, R107, R112, R114, R115, R117, R158, R160, R161, R162, R163	NC	0805 SMD res.
87	2	R57, R67	37K4	0805 SMD res.
88	1	R64	4K99	0805 SMD res.
89	8	R74, R100, R101, R109, R118, R119, R120, R135	4K70	0805 SMD res.
90	1	R81	47H0	0805 SMD res.
91	1	R82	576H0	0805 SMD res.
92	2	R86, R131	0H0	0805 SMD res.
93	1	R87	560H0	0805 SMD res.
94	1	R88	220H0	0805 SMD res.
95	2	R90, R149	330K0	0805 SMD res.
96	3	R91, R97, R125	470K0	0805 SMD res.
97	2	R94, R95	47K0	0805 SMD res.
98	1	R103	3K30	0805 SMD res.
99	1	R104	270K0	0805 SMD res.
100	4	R110, R111, R136, R156	22H0	0805 SMD res.
101	2	R113, R150	150H0	0805 SMD res.
102	1	R116	249H0	0805 SMD res.
103	5	R122, R123, R124, R127, R133	6K80	0805 SMD res.
104	4	R137, R138, R139, R140	1K20	0805 SMD res.
105	1	R143	68H0	0805 SMD res.
106	1	R144	1H0	0805 SMD res.
107	2	R145, R146	8H20	0805 SMD res.
108	1	R148	120H0	0805 SMD res.
109	1	R151	56H0	0805 SMD res.
110	1	R154	82H0	0805 SMD res.
111	2	R155, R157	27H0	0805 SMD res.
112	1	SW1	SWDIP4	4 ways switch slide dip
113	2	SW2, SW3	SWDIP2	2 ways switch slide dip
114	1	TCX1	10MHz	TCXO SMD 5x3.2mm
115	13	TP1, TP2, TP3, TP4, TP5, TP6, TP7, TP8, TP9, TP10, TP11, TP12, TP13	NC	Test point
116	5	U1, U2, U3, U5, U6	TL072SMD	Dual Op. SMD SO8
117	1	U4	CD4053SSMD	Analog Switch SMD SO16
118	2	U8, U9	LM358SMD	Dual Op. SMD SO8
119	2	U10, U11	LM393SMD	Dual Comp. SMD SO8
120	2	U12, U17	NC7S86	XOR Port
121	1	U13	LM7815	Voltage reg. TO220
122	1	U14	NC	Voltage reg. SMD D2PAK
123	1	U15	MB15E03	Integrated PLL
124	1	U16	TLC272	Dual Op. SMD SO8
125	1	U18	MC78LC33	SOT23-5 voltage regulator"
126	1	VCO1	NC	VCO SKY 8 pin FVC7MD
127	1	Y1	SLAU0469R01V02	Audio stereo filter
128	1	Y2	ERA35M	Hybrid MAR/ERA
129	1	Y3	MAR65M	Hybrid MAR/ERA

SLMA0383R01V01

	R53,R54,R58,R59,R70,R75, R76,R79,R83,R84,R92,R106, R108,R121,R159,R164	
74	4 R10,R46,R72,R85	1M0
75	2 R12,R29	48K7
76	5 R15,R22,R147,R152,R153	330H0
77	8 R30,R31,R51,R52,R66,R69, R89,R141	100K0
78	1 R34	51H0
79	3 R38,R60,R77	12K0
80	4 R39,R61,R78,R134	2K20
81	11 R41,R56,R62,R65,R71,R93, R96,R98,R99,R129,R130	1K0
82	4 R44,R45,R68,R80	15K0
83	1 R48	20K0
84	1 R49	28K0
85	12 R50,R107,R114,R115,R116, R117,R158,R160,R161,R162, R163,R112	NC
86	2 R57,R67	37K4
87	1 R64	4K99
88	8 R74,R100,R101,R109, R118,R119,R120,R135	4K70
89	1 R81	47H0
90	1 R82	576H0
91	2 R86,R131	0H0
92	1 R87	560H0
93	1 R88	220H0
94	2 R90,R149	330K
95	3 R91,R97,R125	470K0
96	2 R94,R95	47K0
97	1 R103	3K30
98	1 R104	270K0
99	4 R110,R111,R136,R156	22H0
100	2 R113,R150	150H0
101	1 R116	249H0
102	5 R122,R123,R124,R127,R133	6K80
103	4 R137,R138,R139,R140	1K20
104	1 R143	68H0
105	1 R144	1H0
106	2 R145,R146	8H20
107	1 R148	120H0
108	1 R151	56H0
109	1 R154	82H0
110	2 R155,R157	27H0
111	1 SW1	SWDIP4
112	2 SW2,SW3	SWDIP2
113	1 TCX1	TCXO5032
114	13 TP1,TP2,TP3,TP4,TP5,TP6, TP7,TP8,TP9,TP10,TP11, TP12,TP13	NC
115	5 U1,U2,U3,U5,U6	TL072SMD

116	1 U4	CD4053SSMD
117	2 U8,U9	LM358SMD
118	2 U10,U11	LM393SMD
119	2 U12,U17	NC7S86
120	1 U13	LM7815
121	1 U14	NC
122	1 U15	MB15E03
123	1 U16	TLC272
124	1 U18	MC78LC33
125	1 VCO1	NC
126	1 Y1	SLAU0469R01V02
127	1 Y2	ERA3SM
128	1 Y3	MAR6SM

SLCTC30V03



NOME PROGETTO: PTX-LCD

NOME PARTE: CODER CARD

AUTORE: A. TOMMASI

PAGINA: 1 DI 1

ARCHIVIAZIONE ELETTRONICA: \\VRUT\

REVISIONE: 1.0

SCALE: 2:1

SIZE: A4

MATERIALE:

TRATTAMENTO:

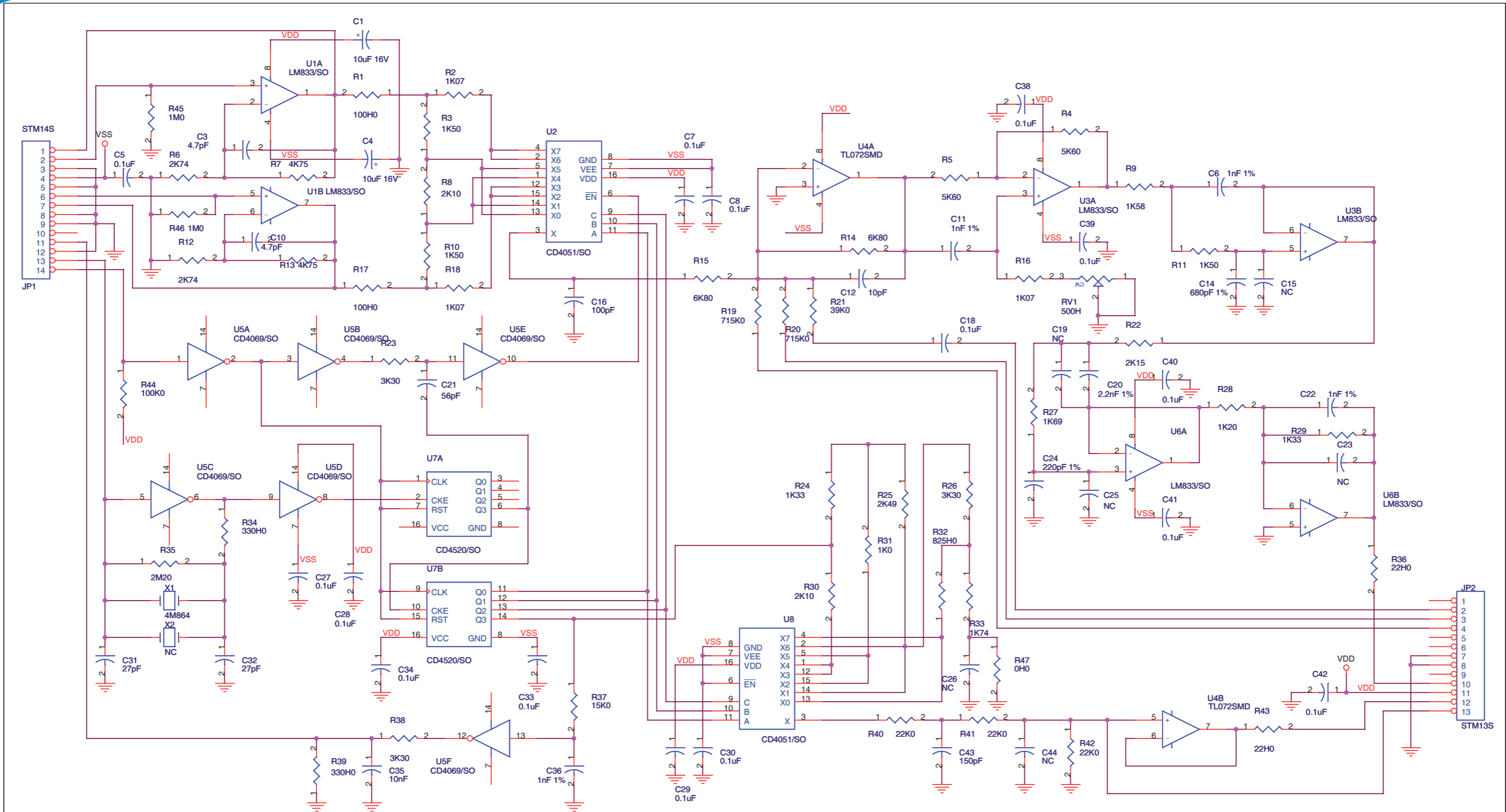
CODICE PROGETTO: 011

CODICE DISEGNO: SLCTC30V03

PROFILO:

STATO: ESECUTIVO

SLCTC30V03



CS1  
CSCTC30V03

Description: Coder Card		
Designer: A. Tommasi	Size: A3	Page: 1 of 1
Part No.: SLCTC30V03	Rev. 1.2	Date: 26/01/2015

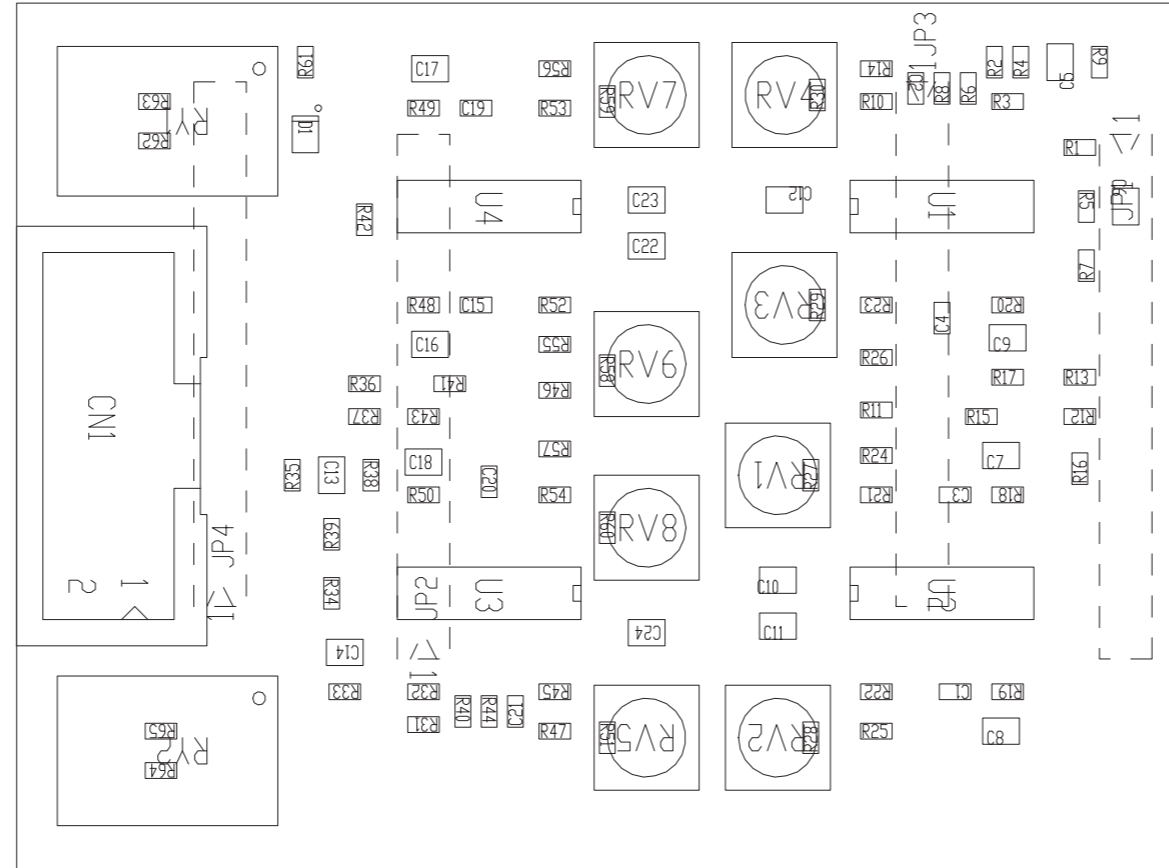




SLCTC30V03

Coder Card Revised: 26/01/2015  
 SLCTC30V03 Revision: 1.2  
 A. Tommasi

Item	Q.ty	Reference	Part	Description
1	1	CS1	CSCTC30V03	Circuito stampato
2	2	C1, C4	10uF 16V	Cond. Elett. SMD d. 4mm
3	2	C3, C10	4.7pF	Cond. SMD 0805
4	15	C5, C7, C8, C18, C27, C28, C29, C30, C33, C34, C38, C39, C40, C41, C42	0.1uF	Cond. SMD 0805
5	4	C6, C11, C22, C36	1nF 1%	Cond. SMD 0805 COG
6	1	C12	10pF	Cond. SMD 0805
7	1	C14	680pF 1%	Cond. SMD 0805 COG
8	4	C15, C19, C23, C25	NC	Cond. Poliestere p 5mm (5*7mm)
9	1	C16	100pF	Cond. SMD 0805
10	1	C20	2.2nF 1%	Cond. SMD 0805 COG
11	1	C21	56pF	Cond. SMD 0805
12	1	C24	220pF 1%	Cond. SMD 0805 COG
13	1	C26	NC	Cond. SMD 0805
14	2	C31, C32	27pF	Cond. SMD 0805
15	1	C35	10nF	Cond. SMD 0805
16	1	C43	150pF	Cond. SMD 0805
17	1	C44	NC	Cond. SMD 0805
18	1	JP1	STM14S	Strip maschio 14 pin
19	1	JP2	STM13S	Strip maschio 13 pin
20	1	RV1	500H	Trimmer SMD
21	2	R1, R17	100H0	Res. SMD 0805
22	3	R2, R16, R18	1K07	Res. SMD 0805
23	3	R3, R10, R11	1K50	Res. SMD 0805
24	2	R4, R5	5K60	Res. SMD 0805
25	2	R6, R12	2K74	Res. SMD 0805
26	2	R7, R13	4K75	Res. SMD 0805
27	2	R8, R30	2K10	Res. SMD 0805
28	1	R9	1K58	Res. SMD 0805
29	2	R14, R15	6K80	Res. SMD 0805
30	2	R19, R20	715K0	Res. SMD 0805
31	1	R21	39K0	Res. SMD 0805
32	1	R22	2K15	Res. SMD 0805
33	3	R23, R26, R38	3K30	Res. SMD 0805
34	2	R24, R29	1K33	Res. SMD 0805
35	1	R25	2K49	Res. SMD 0805
36	1	R27	1K69	Res. SMD 0805
37	1	R28	1K20	Res. SMD 0805
38	1	R31	1K0	Res. SMD 0805
39	1	R32	825H0	Res. SMD 0805
40	1	R33	1K74	Res. SMD 0805
41	2	R34, R39	330H0	Res. SMD 0805
42	1	R35	2M20	Res. SMD 0805
43	2	R36, R43	22H0	Res. SMD 0805
44	1	R37	15K0	Res. SMD 0805
45	3	R40, R41, R42	22K0	Res. SMD 0805
46	1	R44	100K0	Res. SMD 0805
47	2	R45, R46	1M0	Res. SMD 0805
48	1	R47	0H0	Res. SMD 0805
49	3	U1, U3, U6	LM833/SO	Dual Op. SMD SO8
50	2	U2, U8	CD4051/SO	Analog Switch SMD SO16
51	1	U4	TL072SMD	Dual Op. SMD SO8
52	1	U5	CD4069/SO	Hex inverter SO14
53	1	U7	CD4520/SO	Dual binary counter
54	1	X1	4M864	Quarzo SMD HC49SMD
55	1	X2	NC	Quarzo HC18



PRODUCT NAME : TEX-LCD

DESIGNER : FRANCESCHI A.

ARCHIVING : "RVRUT" SERVER, "RILASCIATI" FOLDER

PART NAME : AUDID FILTER 15KHZ

DATE : 03/05/17

REVISION : 1.0

SCALE : 2:1

SIZE : A4

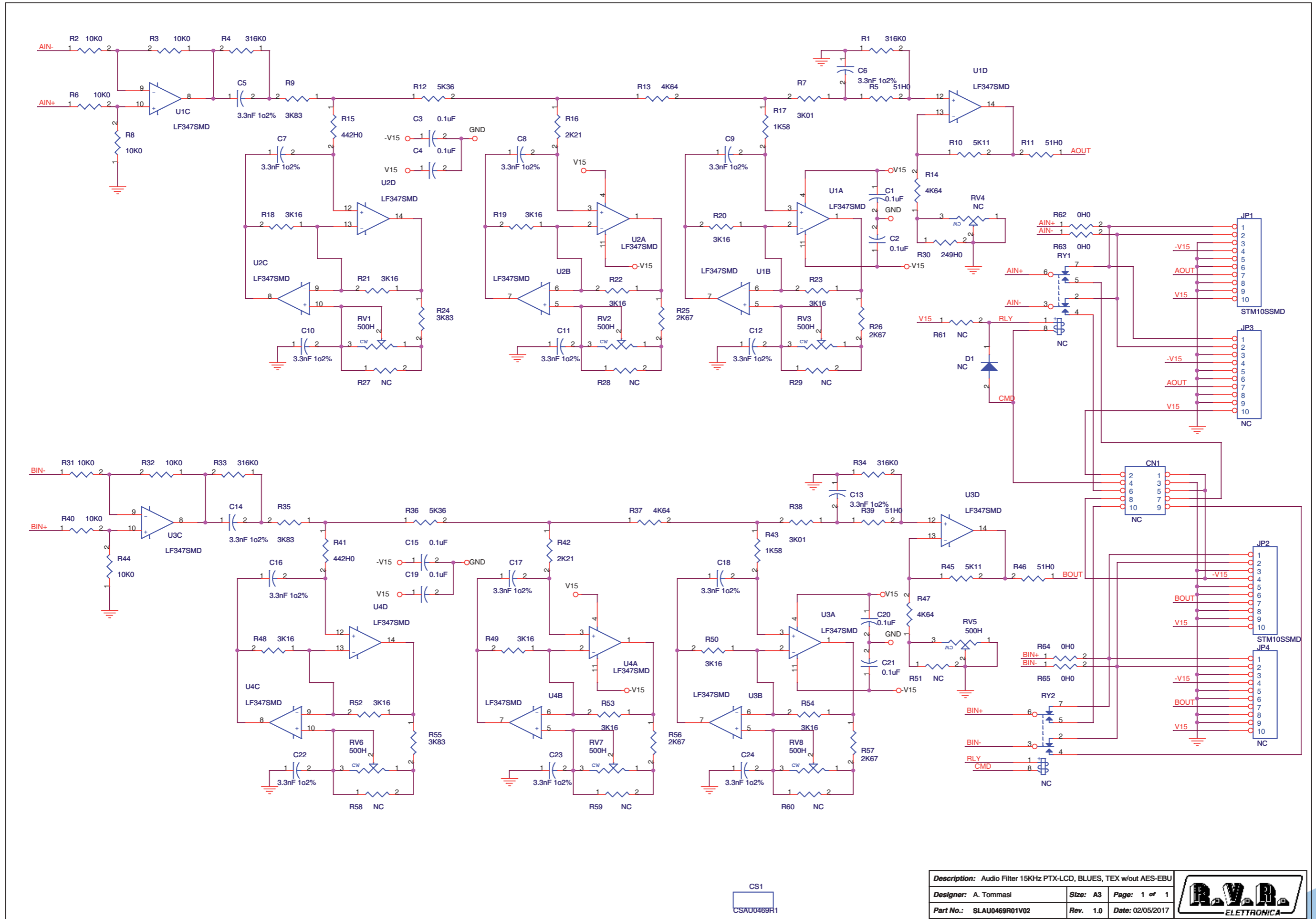
PAGE : 1

DI 1

DOCUMENT CODE : SLAU0469R01V\*\*

PROJECT CODE : 057

SLAU0469R01V02



CS1  
CSAU0469R1

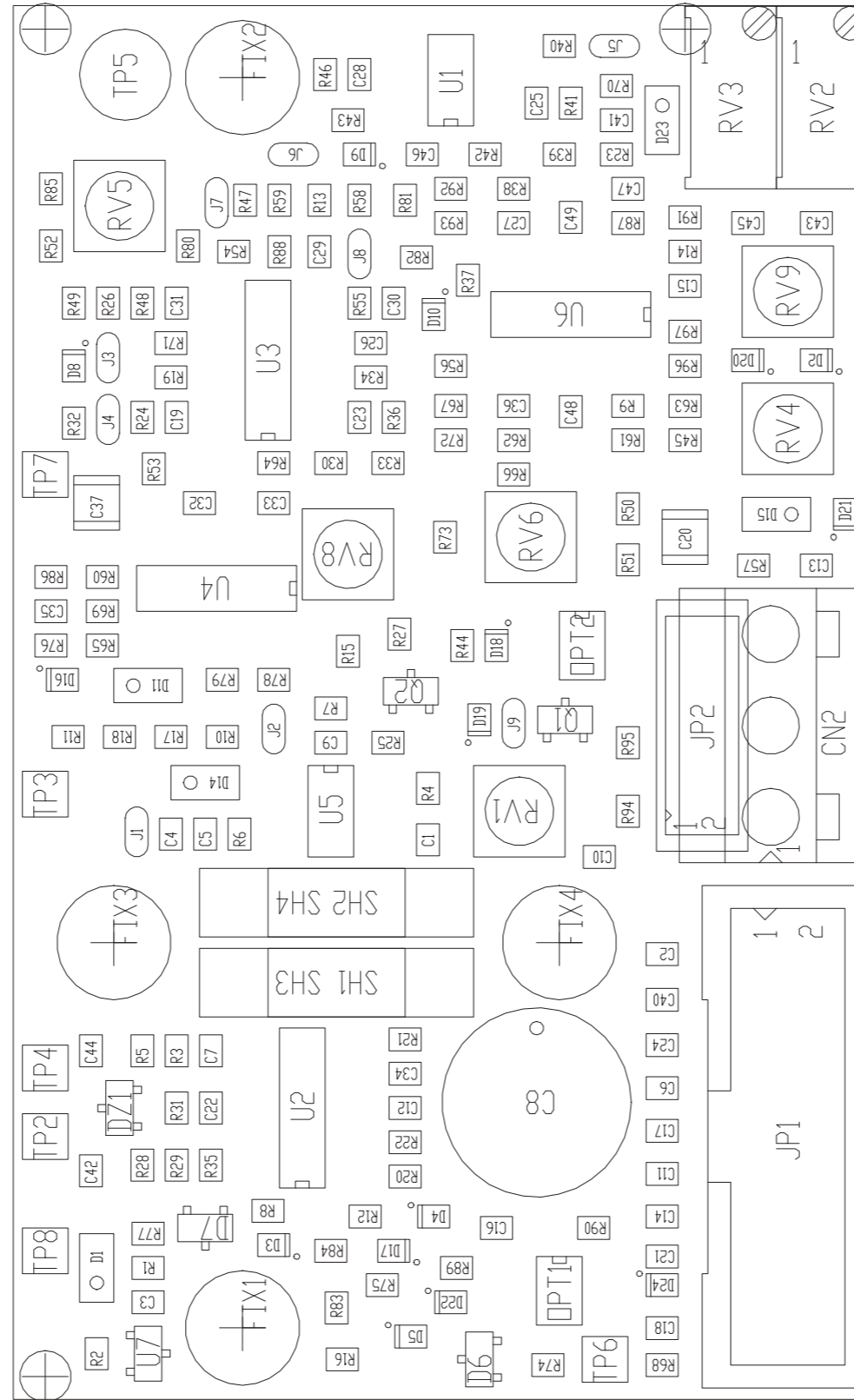
Description: Audio Filter 15KHz PTX-LCD, BLUES, TEX w/out AES-EBU		
Designer: A. Tommasi	Size: A3	Page: 1 of 1
Part No.: SLAU0469R01V02	Rev. 1.0	Date: 02/05/2017



SLAU0469R01V02

Audio Filter 15KHz PTX-LCD, BLUES, TEX w/out AES-EBU Revised: 02/05/2017  
 SLAU0469R01V02 Revision: 1.0  
 A. Tommasi

Item	Quantity	Reference	Part	Description
1	1	CN1	NC	Conn. 10 poli Flat cs con alette
2	1	CS1	CSAU0469R1	Circuito stampato
3	8	C1, C2, C3, C4, C15, C19, C20, C21	0.1uF	Cond. SMD 0603
4	16	C5, C6, C7, C8, C9, C10, C11, C12, C13, C14, C16, C17, C18, C22, C23, C24	3.3nF 1o2%	Cond. SMD 0805 COG
5	1	D1	NC	SOD323 SMD Diode
6	2	JP1, JP2	STM10SSMD	Male strip 10 pin SMD
7	2	JP3, JP4	NC	Male strip 10 pin SMD
8	7	RV1, RV2, RV3, RV5, RV6, RV7, RV8	500H	Trimmer SMD V 3314
9	1	RV4	NC	Trimmer SMD V 3314
10	2	RY1, RY2	NC	Rele' FTR-B3G
11	4	R1, R4, R33, R34	316K0	Res. SMD 0603
12	8	R2, R3, R6, R8, R31, R32, R40, R44	10K0	Res. SMD 0603
13	4	R5, R11, R39, R46	51H0	Res. SMD 0603
14	2	R7, R38	3K01	Res. SMD 0603
15	4	R9, R24, R35, R55	3K83	Res. SMD 0603
16	2	R10, R45	5K11	Res. SMD 0603
17	2	R12, R36	5K36	Res. SMD 0603
18	4	R13, R14, R37, R47	4K64	Res. SMD 0603
19	2	R15, R41	442H0	Res. SMD 0603
20	2	R16, R42	2K21	Res. SMD 0603
21	2	R17, R43	1K58	Res. SMD 0603
22	12	R18, R19, R20, R21, R22, R23, R48, R49, R50, R52, R53, R54	3K16	Res. SMD 0603
23	4	R25, R26, R56, R57	2K67	Res. SMD 0603
24	8	R27, R28, R29, R51, R58, R59, R60, R61	NC	Res. SMD 0603
25	1	R30	249H0	Res. SMD 0603
26	4	R62, R63, R64, R65	0H0	Res. SMD 0603
27	4	U1, U2, U3, U4	LF347SMD	Quad Op. SMD SO14



PRODUCT NAME : TEX

DESIGNER : FRANCESCHI A.

ARCHIVING : "RVURT" SERVER, "RILASCIATI" FOLDER

PART NAME : CNTMOS PA RF R:07

DATE : 18/05/16

REVISION : 1.0

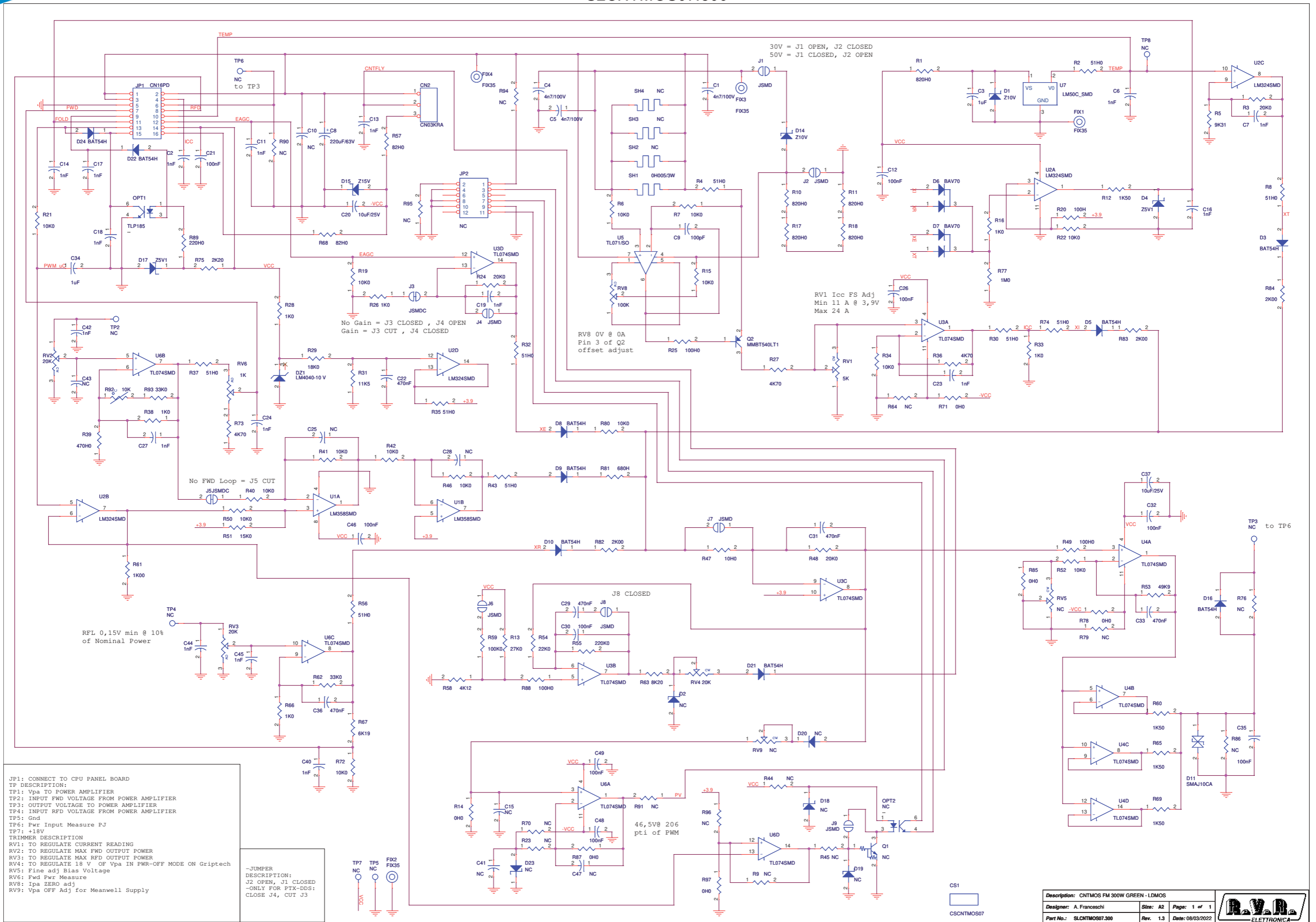
SCALE : 1:1

SIZE : A4

PAGE : 1

DI 1

DOCUMENT CODE : SLCNTMOS07.\*\*



JP1: CONNECT TO CPU PANEL BOARD  
 TP DESCRIPTION:  
 TP1: Vpa TO POWER AMPLIFIER  
 TP2: INPUT FWD VOLTAGE FROM POWER AMPLIFIER  
 TP3: OUTPUT VOLTAGE TO POWER AMPLIFIER  
 TP4: INPUT RFD VOLTAGE FROM POWER AMPLIFIER  
 TP5: Gnd  
 TP6: Pwr Input Measure PJ  
 TP7: +18V  
 TRIMMER DESCRIPTION  
 RV1: TO REGULATE CURRENT READING  
 RV2: TO REGULATE MAX FWD OUTPUT POWER  
 RV3: TO REGULATE MAX RFD OUTPUT POWER  
 RV4: TO REGULATE 18 V OF Vpa IN FWR-OFF MODE ON Griptech  
 RV5: Fine adj Bias Voltage  
 RV6: Fwd Pwr Measure  
 RV8: Ipa ZERO adj  
 RV9: Vpa OFF Adj for Meanwell Supply

-JUMPER DESCRIPTION:  
 J2 OPEN, J1 CLOSED  
 -ONLY FOR PTX-DDS:  
 CLOSE J4, CUT J3

Description: CNTMOS FM 300W GREEN - LD MOS		
Designer: A. Franceschi	Size: A2	Page: 1 of 1
Part No.: SLCNTMOS7.300	Rev: 1.3	Date: 08/03/2022





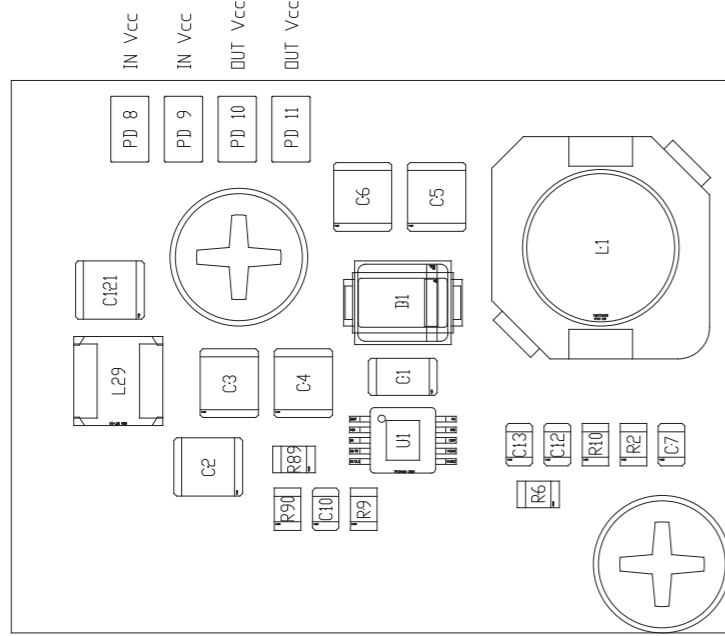
SLCNTMOS07.300

CNTMOS FM 300W GREEN - LDMOS Revised: Tuesday, March 08, 2022  
 SLCNTMOS07.300 Revision: 1.3  
 A. Franceschi

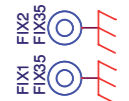
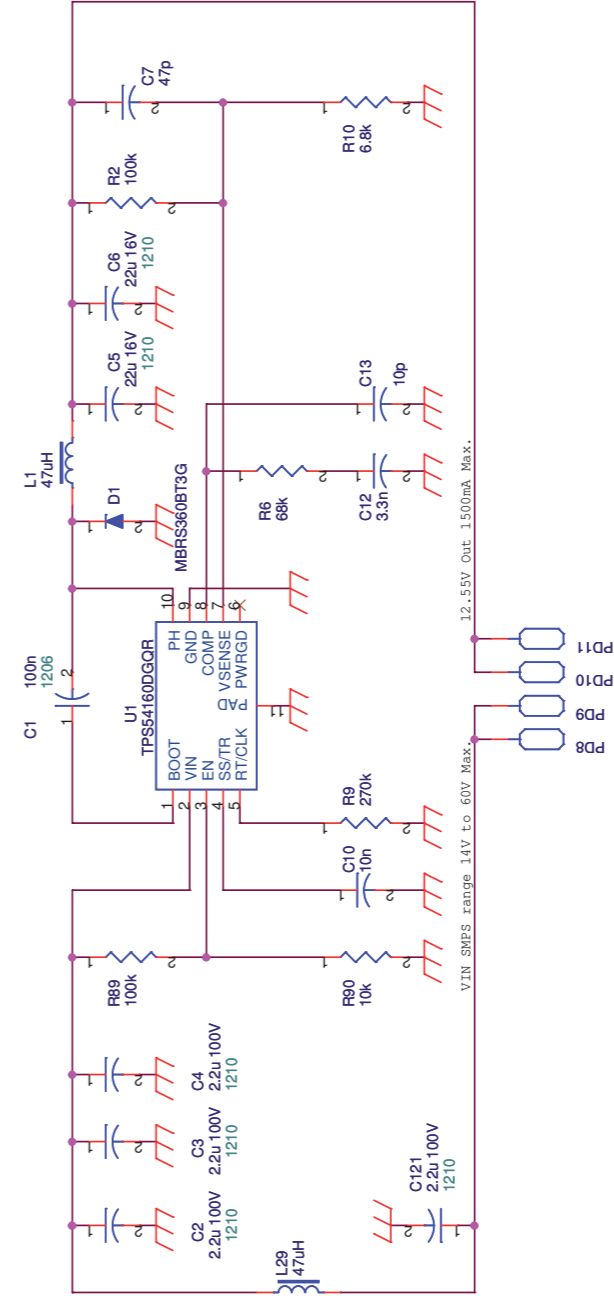
Item	Quantity	Reference	Part	Description
1	1	CN2	CN03KRA	Conn. tipo KRA a 3 poli
2	1	CS1	CSCNTMOS07	Circuito stampato
3	3	C1, C4, C5	4n7/100V	Cond. SMD 0805
4	17	C2, C6, C7, C11, C13, C14, C16, C17, C18, C19, C23, C24, C27, C40, C42, C44, C45	1nF	Cond. SMD 0805
5	2	C3, C34	1uF	Cond. SMD 0805
6	1	C8	220uF/63V	Cond. Elettr. Dia 10 P5.08
7	1	C9	100pF	Cond. SMD 0805
8	7	C10, C15, C25, C28, C41, C43, C47	NC	Cond. SMD 0805
9	9	C12, C21, C26, C30, C32, C35, C46, C48, C49	100nF	Cond. SMD 0805
10	2	C20, C37	10uF/25V	Cond. SMD 1210
11	5	C22, C29, C31, C33, C36	470nF	Cond. SMD 0805
12	1	DZ1	LM4040-10 V	Diodi Zener SMD SOT23
13	2	D1, D14	Z10V	MINIMELF SMD Zener Diode
14	3	D2, D18, D19	NC	SOD323 Zener Diode
15	9	D3, D5, D8, D9, D10, D16, D21, D22, D24	BAT54H	SOD323 SMD Diode
16	2	D4, D17	Z5V1	SOD323 Zener Diode
17	2	D6, D7	BAV70	Doppio Diode SMD SOT23
18	1	D11	SMAJ10CA	Transzorb SMA
19	1	D15	Z15V	MINIMELF SMD Zener Diode
20	1	D20	NC	SOD323 SMD Diode
21	1	D23	NC	MINIMELF SMD Zener Diode
22	4	FIX1, FIX2, FIX3, FIX4	FIX35	Foro fissaggio 3.5mm
23	1	JP1	CN16PD	Conn.M.C.S.Dritto 16P alette.
24	1	JP2	NC	Conn. 12 poli DF11 12pin p. 2mm
25	7	J1, J2, J4, J6, J7, J8, J9	J5MD	Pad SMD a saldare
26	2	J3, J5	J5MDC	Pad SMD a saldare chiuso
27	1	OPT1	TLP185	Optocoupler SMD SO6
28	1	OPT2	NC	Optocoupler SMD SO6
29	1	Q1	NC	Trans./Res. NPN SOT23
30	1	Q2	MMBT540LT1	Trans. PNP SOT23
31	1	RV1	5K	Trimmer SMD
32	2	RV2, RV3	20K	Trimmer Rg V 3296W
33	1	RV4	20K	Trimmer SMD
34	2	RV5, RV9	NC	Trimmer SMD
35	1	RV6	1K	Trimmer SMD
36	1	RV8	100K	Trimmer SMD
37	5	R1, R10, R11, R17, R18	820H0	Res. SMD 0805 1%
38	10	R2, R4, R8, R30, R32, R35, R37, R43, R56, R74	51H0	Res. SMD 0805 1%
39	3	R3, R24, R48	20K0	Res. SMD 0805 1%
40	1	R5	9K31	Res. SMD 0805 1%
41	15	R6, R7, R15, R19, R21, R22, R34, R40, R41, R42, R46, R50, R52, R72, R80	10K0	Res. SMD 0805 1%
42	14	R9, R23, R44, R45, R64, R70, R76, R79, R86, R90, R91, R94, R95, R96	NC	Res. SMD 0805 1%
43	4	R12, R60, R65, R69	1K50	Res. SMD 0805 1%
44	1	R13	27K0	Res. SMD 0805 1%
45	6	R14, R71, R78, R85, R87, R97	0H0	Res. SMD 0805 1%
46	6	R16, R26, R28, R33, R38, R66	1K0	Res. SMD 0805 1%
47	1	R20	100H	Res. SMD 0805 1%
48	3	R25, R49, R88	100H0	Res. SMD 0805 1%
49	3	R27, R36, R73	4K70	Res. SMD 0805 1%
50	1	R29	18K0	Res. SMD 0805 1%
51	1	R31	11K5	Res. SMD 0805 1%
52	1	R39	470H0	Res. SMD 0805 1%
53	1	R47	10H0	Res. SMD 0805 1%
54	1	R51	15K0	Res. SMD 0805 1%
55	1	R53	49K9	Res. SMD 0805 1%
56	1	R54	22K0	Res. SMD 0805 1%
57	1	R55	220K0	Res. SMD 0805 1%
58	2	R57, R68	82H0	Res. SMD 0805 1%
59	1	R58	4K12	Res. SMD 0805 1%
60	1	R59	100K0	Res. SMD 0805 1%
61	1	R61	1K00	Res. SMD 0805 1%
62	2	R62, R93	33K0	Res. SMD 0805 1%
63	1	R63	8K20	Res. SMD 0805 1%
64	1	R67	6K19	Res. SMD 0805 1%
65	1	R75	2K20	Res. SMD 0805 1%
66	1	R77	1M0	Res. SMD 0805 1%

Item	Quantity	Reference	Part	Description
67	1	R81	680H	Res. SMD 0805 1%
68	3	R82, R83, R84	2K00	Res. SMD 0805 1%
69	1	R89	220H0	Res. SMD 0805 1%
70	1	R92	10K	Res. NTC SMD 0805
71	1	SH1	0H005/3W	Shunt passo 15.2mm fori 2mm
72	1	SH2	NC	Shunt passo 15.2mm fori 2mm
73	2	SH3, SH4	NC	Shunt SMD 2512
74	6	TP2, TP3, TP4, TP6, TP7, TP8	NC	Foro dia. 1mm
75	1	TP5	NC	Foro dia. 2mm
76	1	U1	LM358SMD	Dual Op. SMD SO8
77	1	U2	LM324SMD	Quad Op. SMD SO14
78	3	U3, U4, U6	TL074SMD	Quad Op. SMD SO14
79	1	U5	TL071/SO	Single Op. SMD SO8
80	1	U7	LM50C_SMD	Temperature sensor

SLPS0468R01V02



DESCRIPTION : POWER SUPPLY PA RF 50W 50V	PART_CODE : SLPS0468R01V**
DESIGNER : FRANCESCHI A.	DATE: 19/04/2017
	REVISION: 1.0
	SCALE: 3:1
	SIZE: A4
	PAGINA: 1 DI 1



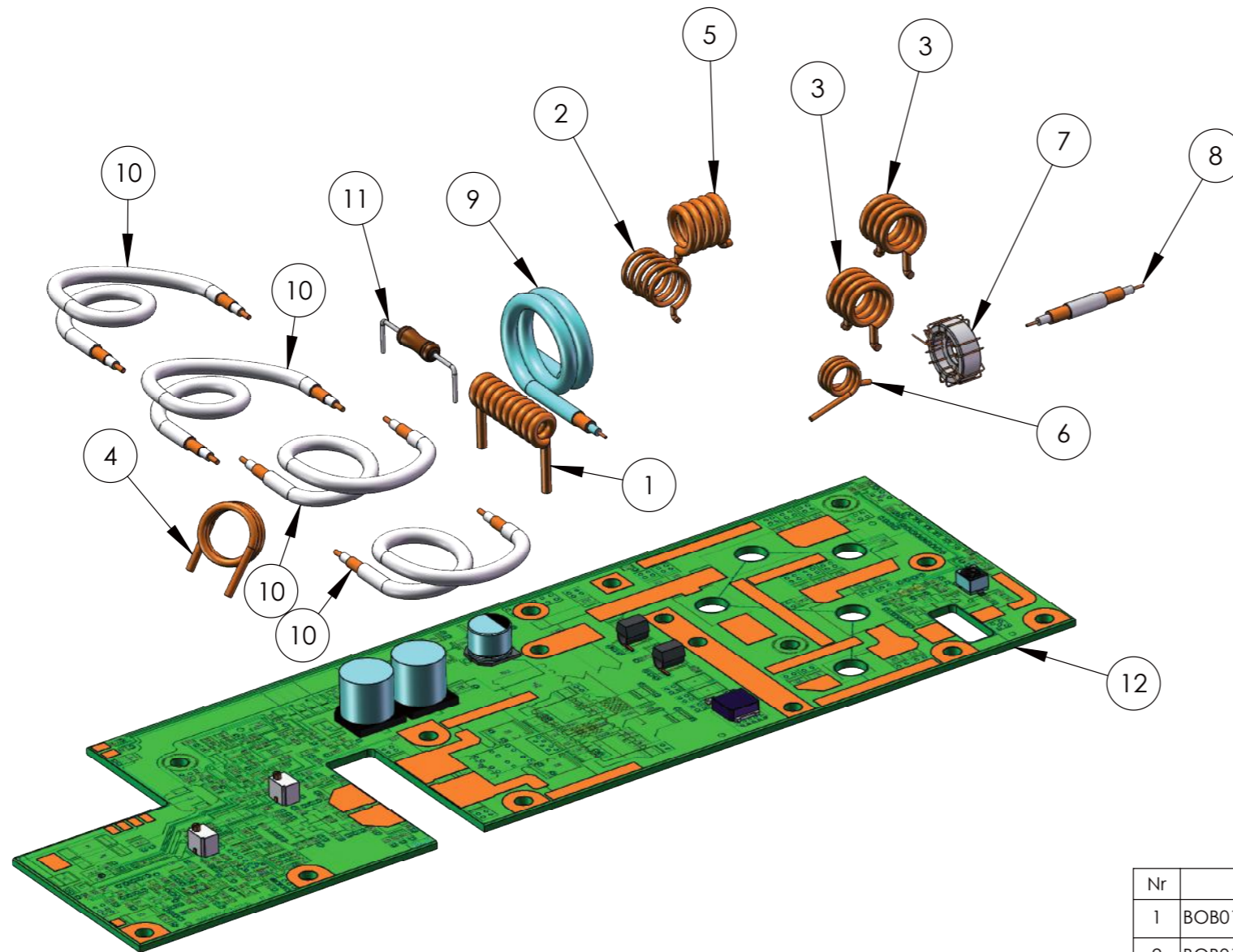
Description: POWER SUPPLY PA RF 50W 1A5	
Designer: Mauro Lucelli	Size: A4
Part No.: SLPS0468R01V02	Rev. 1.0
Page: 1 of 1	Date: 11/03/2019



SLPS0468R01V02

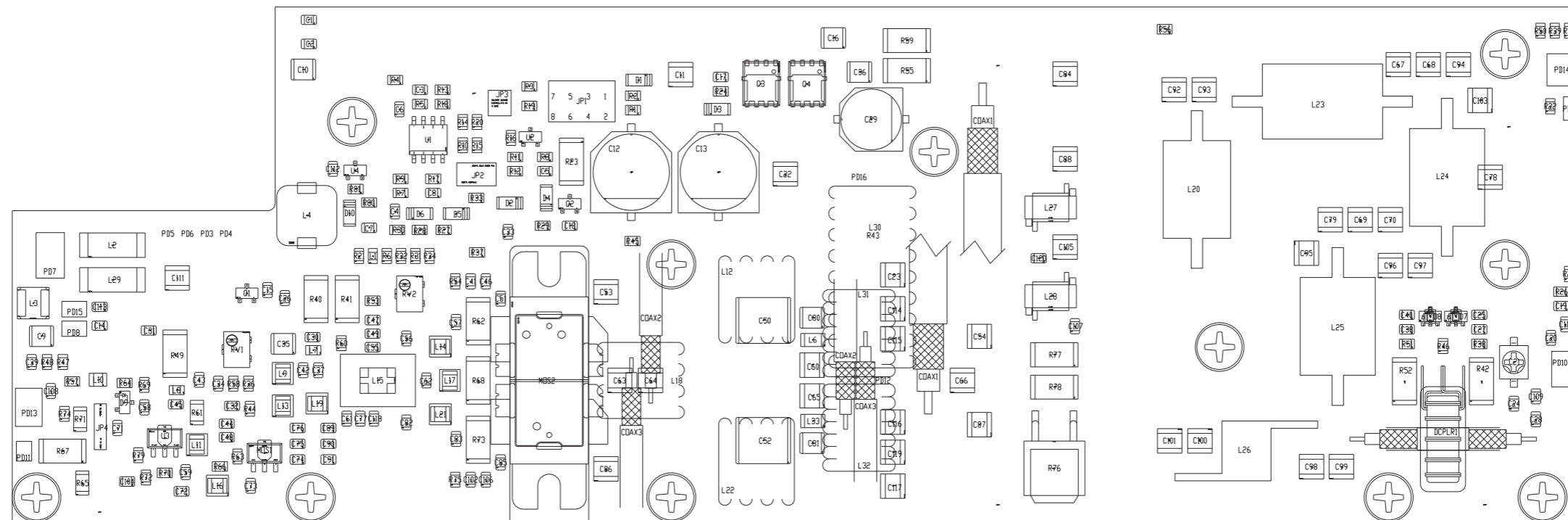
POWER SUPPLY PA RF 50V 1A5  
 SLPS0468R01V02  
 Revision: 1.0  
 11/03/2019  
 Mauro Ucelli

Item	Quantity	Reference	Part	Description
1	1	CS1	CSPS0468R1	Circuito stampato PA
2	1	C1	100n	Cond. SMD 1206
3	4	C2,C3,C4,C121	2.2u 100V	Capacitor SMD 1210 MLCC X7R 100V
4	2	C5,C6	22u 16V	Capacitor SMD 1210 MLCC X7R 16V
5	1	C7	47p	Cond. SMD 0805 COG
6	1	C10	10n	SMD 0805 MLCC X7R
7	1	C12	3.3n	SMD 0805 MLCC X7R
8	1	C13	10p	Cond. SMD 0805 COG
9	1	D1	MBRS360BT3G	SMB Size SCHOTTKY Diode
10	4	FID4,FID5,FID6,FID7	FID	Fiducial CS
11	2	FIX1,FIX2	FIX35	
12	1	L1	47uH	PWR Ind Wurth E 7447714470
13	1	L29	47uH	PWR Ind WE 74404042470
14	4	PD8,PD9,PD10,PD11	PAD	Pad for connection
15	2	R2,R89	100k	Res. SMD 0805
16	1	R6	68k	Res. SMD 0805
17	1	R9	270k	Res. SMD 0805
18	1	R10	6.8k	Res. SMD 0805
19	1	R90	10k	Res. SMD 0805
20	1	U1	TPS54160DGQR	Step-Down DC2DC Converter



Nr	Codice	Descrizione	QTY.
1	BOB01010005A	10 spire filo da 2mm smaltato su diametro 5mm	1
2	BOB01020165A	5 Spire Filo R-Arg. D. 1mm avvolte su D. 6.5mm lunghezza 12mm	1
3	BOB01020184A	4 Spire Filo R-Arg. D. 1.5mm avvolte su D. 6.5mm lunghezza 9mm	2
4	BOB01020244A	2.5 Spire Filo R-Arg. D. 1.5mm avvolte su D. 9mm lunghezza 6.5mm	1
5	BOB01020245A	5 Spire Filo R-Arg. D. 1.5mm avvolte su D. 6.5mm lunghezza 11mm	1
6	BOB01020246A	3 Spire Filo R-Arg. D. 1mm avvolte su D. 5mm lunghezza 5.5mm	1
7	BOB03010001A	BOB. SU NUCLEO KITFTR1010SP	1
8	CCXS12N0224A	CAVO RG316/50 NON INTESTATO 26MM	1
9	CCXS18N0223A	CAVO RG142 50H NON-INT. 145MM	1
10	CCXS26N0225A	CAVO HF086-25-FEP NON INTEST. 120MM	4
11	RSM002J0022H	RES. STRATO METALLICO 2W. 5% 22H	1
12	SLRF0484R03V01S	SEM.SMD PA UNIT 300W FM	1

 GENERAL TOLERANCE UNI ISO 2768-f	PROFILE: MATERIAL:	DESCRIPTION: SEM.SCH. PA UNIT 300W FM	CODE: SLRF0484R03V01	AUTHOR: ut02	
	TREATMENT:	DATE: 30/05/2022	PROJECT N°: 045	TYPE: SCALE: 1:1	

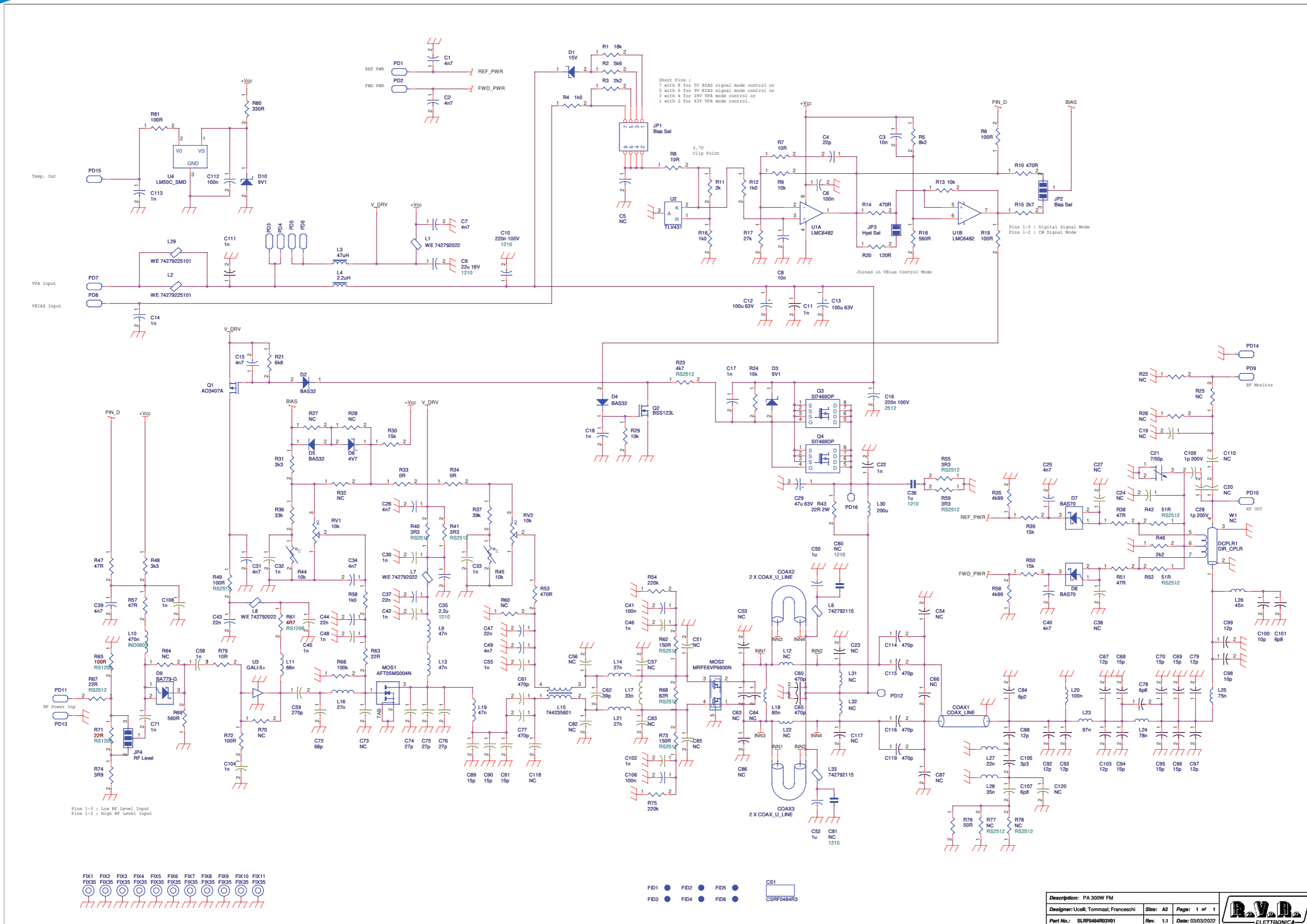


DESCRIPTION : RF PA 300W FM BAND

PART CODE : SLRF0484R03V01

DESIGNER : M. UCELLI

DATE: 13/10/2021 | REVISION: 1.0 | SCALE: 1:1 | SIZE: A4 | PAGINA: 1 DI 1



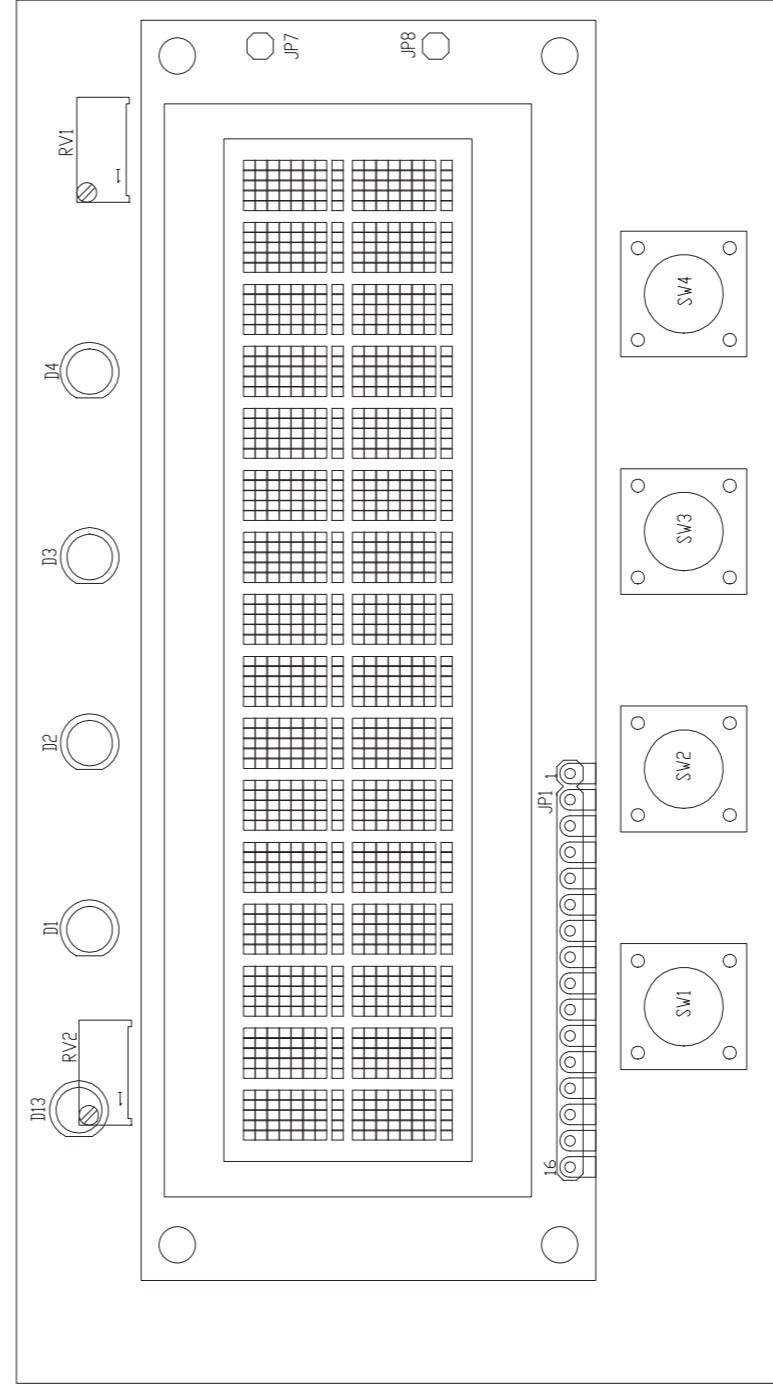
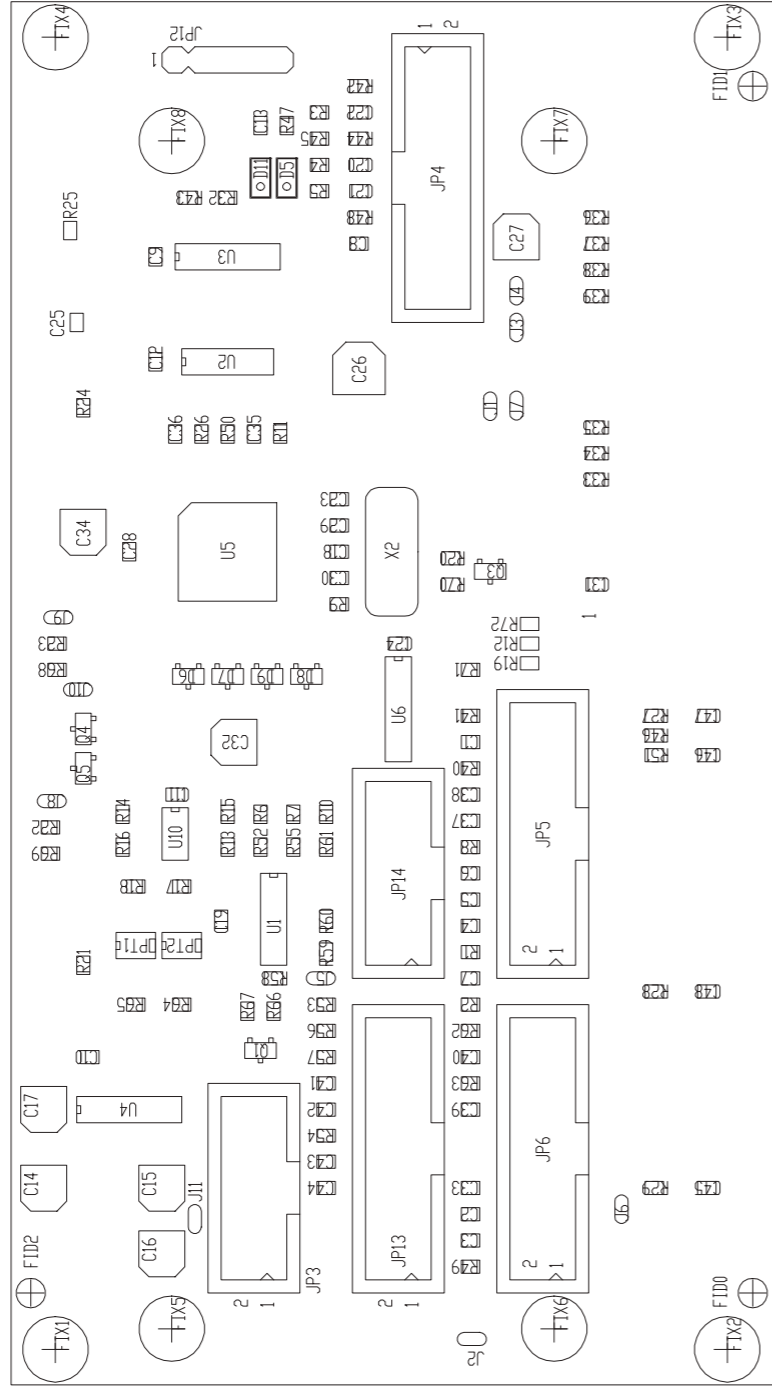


SLRF0484R03V01

PA 300W FM Revised: 03/03/2022  
SLRF0484R03V01 Revision: 1.1  
Mauro Ucelli

Item	Quantity	Reference	Part	Description
1	1	COAX1	COAX_LINE	Coax cable
2	2	COAX2, COAX3	COAX_U_LINE	U coax cable
3	1	C51	CSRF0484R3	Printed Circuit board
4	11	C1, C2, C7, C15, C25, C26, C31, C34, C39, C40, C49	4n7	0805 SMD capacitor
5	2	C3, C8	10n	0805 SMD capacitor
6	1	C4	22p	0805 COG SMD capacitor
7	16	C5, C19, C20, C24, C27, C38, C51, C56, C57, C73, C82, C83, C85, C110, C118, C120	NC	0805 COG SMD capacitor
8	4	C6, C41, C106, C112	100n	0805 SMD capacitor
9	1	C9	22u 16V	Capacitor SMD 1210 MLCC X7R 16V
10	2	C10, C16	220n 100V	Capacitor SMD 1210 MLCC X7R 100V
11	3	C11, C22, C111	1n	1212 HQ SMD capacitor
12	2	C12, C13	100u 63V	SMD electr. cap. 10mm
13	17	C14, C17, C18, C30, C32, C33, C42, C45, C46, C48, C55, C58, C71, C102, C104, C108,	1n	0805 COG SMD capacitor
14	2	C28, C109	1p 200V	0805 COG SMD capacitor
15	1	C21	7/50p	Adj. Cap 7 / 50pF
16	9	C23, C53, C54, C63, C64, C66, C86, C87, C117	NC	1212 HQ SMD capacitor
17	1	C29	47u 63V	SMD electr. cap. 10mm
18	1	C35	2.2u	Capacitor SMD 1210 MLCC X7R 100V
19	1	C36	1u	Capacitor SMD 1210 MLCC X7R 100V
20	4	C37, C43, C44, C47	22n	0805 SMD capacitor
21	2	C50, C52	1u	Cap. PolyE. SMD size 2824 100VDC
22	1	C59	270p	0805 COG SMD capacitor
23	6	C60, C65, C114, C115, C116, C119	470p	1212 HQ SMD capacitor
24	2	C61, C77	470p	0805 COG SMD capacitor
25	1	C62	39p	0805 COG SMD capacitor
26	8	C67, C79, C88, C92, C93, C97, C99, C103	12p	1212 HQ SMD capacitor
27	6	C68, C69, C70, C94, C95, C96	15p	1212 HQ SMD capacitor
28	1	C72	68p	0805 COG SMD capacitor
29	3	C74, C75, C76	27p	0805 COG SMD capacitor
30	2	C78, C101	6p8	1212 HQ SMD capacitor
31	2	C80, C81	NC	Capacitor SMD 1210 MLCC X7R 100V
32	1	C84	8p2	1212 HQ SMD capacitor
33	3	C89, C90, C91	15p	0805 COG SMD capacitor
34	2	C98, C100	10p	1212 HQ SMD capacitor
35	1	C105	3p3	1212 HQ SMD capacitor
36	1	C107	6p8	0805 COG SMD capacitor
37	1	DCPLR1	DIR_CPLR	Directional coupler
38	1	D1	15V	MINIMELF SMD Zener Diode
39	3	D2, D4, D5	BAS32	MINIMELF SMD Diode
40	2	D3, D10	9V1	MINIMELF SMD Zener Diode
41	1	D6	4V7	MINIMELF SMD Zener Diode
42	2	D7, D8	BAS70	Hot Carrier Schottky Diode
43	1	D9	BA779-G	SOT23 Pin Diode
44	6	FID1, FID2, FID3, FID4, FID5, FID6	FID	PCB fiducial
45	11	FIX1, FIX2, FIX3, FIX4, FIX5, FIX6, FIX7, FIX8, FIX9, FIX10, FIX11	FIX35	
46	1	JP1	Bias Sel	Male strip 4+4 pin
47	1	JP2	Bias Sel	*
48	1	JP3	Hyst Sel	*
49	1	JP4	RF Level	*
50	3	L1, L7, L8	WE 742792022	Ferrite Bead 0805
51	2	L2, L29	WE 74279225101	Ferrite Bead 3412
52	1	L3	47uH	PWR Ind WE 74404042470
53	1	L4	2.2uH	PWR Ind WE 7443340220
54	2	L6, L33	742792115	Ferrite Bead 1206
55	3	L9, L13, L19	47n	SMD inductor HQ 2520 (1008)
56	1	L10	470n	SMD inductor HQ 2012 (0805)
57	1	L11	68n	SMD inductor HQ 2520 (1008)
58	2	L12, L22	NC	? Spire Filo R-Arg. D. 7mm avvolte su D. 7mm lunghezza 7mm
59	3	L14, L16, L21	27n	SMD inductor HQ 2520 (1008)
60	1	L15	744235601	WE-CNSW SMD Common Mode Line Filter
61	1	L17	33n	SMD inductor HQ 2012 (0805)
62	1	L18	80n	2.5 Spire Filo R-Arg. D. 1.5mm avvolte su D. 9mm lunghezza 6.5mm
63	1	L20	100n	5 Spire Filo R-Arg. D. 1mm avvolte su D. 6.5mm lunghezza 12mm
64	1	L23	97n	5 Spire Filo R-Arg. D. 1.5mm avvolte su D. 6.5mm lunghezza 11mm
65	1	L24	78n	4 Spire Filo R-Arg. D. 1.5mm avvolte su D. 6.5mm lunghezza 9mm
66	1	L25	75n	4 Spire Filo R-Arg. D. 1.5mm avvolte su D. 6.5mm lunghezza 9.5mm
67	1	L26	45n	3 Spire Filo R-Arg. D. 1mm avvolte su D. 5mm lunghezza 5.5mm
68	1	L27	22n	Air Coil Ind WE 744914122
69	1	L28	35n	Air Coil Ind WE 744912133
70	1	L30	200u	10spire filo R. Smalt. 2mm Avvolte su 6mm
71	2	L31, L32	NC	? Spire Filo R.Smalt. D. 7mm avvolte su D. 7mm lunghezza 7mm
72	1	MOS1	AFT05MS004N	RF Power LDMOS Transistor SOT-89
73	1	MOS2	MRF6VP6600N	RF Power LDMOS Transistors Push-Pull
74	14	PD1, PD2, PD3, PD4, PD5, PD6, PD7, PD8, PD9, PD10, PD11, PD13, PD14, PD15	PAD	SMD pad
75	2	PD12, PD16	PAD	Pad for connection
76	1	Q1	A03407A	SOT23 PMOS

Item	Quantity	Reference	Part	Description
77	1	Q2	BSS123L	SOT23 NMOS
78	2	Q3, Q4	SI7469DP	P-Channel 80-V (D-S) MOSFET
79	2	RV1, RV2	10k	Trimmer SMD V 3314
80	1	R1	18k	0805 SMD res.
81	1	R2	5k6	0805 SMD res.
82	2	R3, R46	2k2	0805 SMD res.
83	4	R4, R12, R16, R58	1k0	0805 SMD res.
84	1	R5	8k2	0805 SMD res.
85	4	R6, R19, R72, R81	100R	0805 SMD res.
86	3	R7, R8, R79	10R	0805 SMD res.
87	4	R9, R13, R24, R29	10k	0805 SMD res.
88	3	R10, R14, R53	470R	0805 SMD res.
89	1	R11	2k	0805 SMD res.
90	1	R15	2k7	0805 SMD res.
91	1	R17	27k	0805 SMD res.
92	2	R18, R69	560R	0805 SMD res.
93	1	R20	120R	0805 SMD res.
94	1	R21	6k8	0805 SMD res.
95	1	R23	4k7	2512 1% SMD res.
96	9	R22, R25, R26, R27, R28, R32, R60, R64, R70	NC	0805 SMD res.
97	3	R30, R39, R50	15k	0805 SMD res.
98	2	R31, R48	3k3	0805 SMD res.
99	2	R33, R34	0R	0805 SMD res.
100	2	R35, R56	4k99	0805 SMD res.
101	1	R36	33k	0805 SMD res.
102	1	R37	39k	0805 SMD res.
103	4	R38, R47, R51, R57	47R	0805 SMD res.
104	4	R40, R41, R55, R59	3R3	2512 1% SMD res.
105	2	R42, R52	51R	2512 1% SMD res.
106	1	R43	22R 2W	2W resistor
107	2	R44, R45	10k	NTC resistor SMD 0805
108	1	R49	100R	2512 1% SMD res.
109	2	R54, R75	220k	0805 SMD res.
110	1	R61	4R7	1206 SMD res.
111	2	R62, R73	150R	2512 1% SMD res.
112	1	R63	22R	0805 SMD res.
113	1	R65	100R	1206 SMD res.
114	1	R66	100k	0805 SMD res.
115	1	R67	22R	2512 1% SMD res.
116	1	R68	82R	2512 1% SMD res.
117	1	R71	22R	1206 SMD res.
118	1	R74	3R9	0805 SMD res.
119	1	R76	50R	DPAK resistor
120	2	R77, R78	NC	2512 1% SMD res.
121	1	R80	330R	0805 SMD res.
122	1	U1	LMC6482	Rail to Rail Dual Op. SMD SO8
123	1	U2	TLV431	Low Volt. Adj. Shunt Reg 1.24Vref
124	1	U3	GALI-5+	RF MMIC
125	1	U4	LM50C_SMD	Temperature sensor
126	1	W1	NC	Filo D. 0.5mm lungo 5mm



PRODUCT NAME : TEX-LCD, PJ-LCD, LINK, URP

PART NAME : SEM.SCH.PANEL CARD PIC18F452

DESIGNER : A. TOMMASI

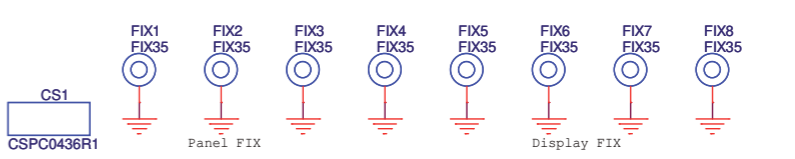
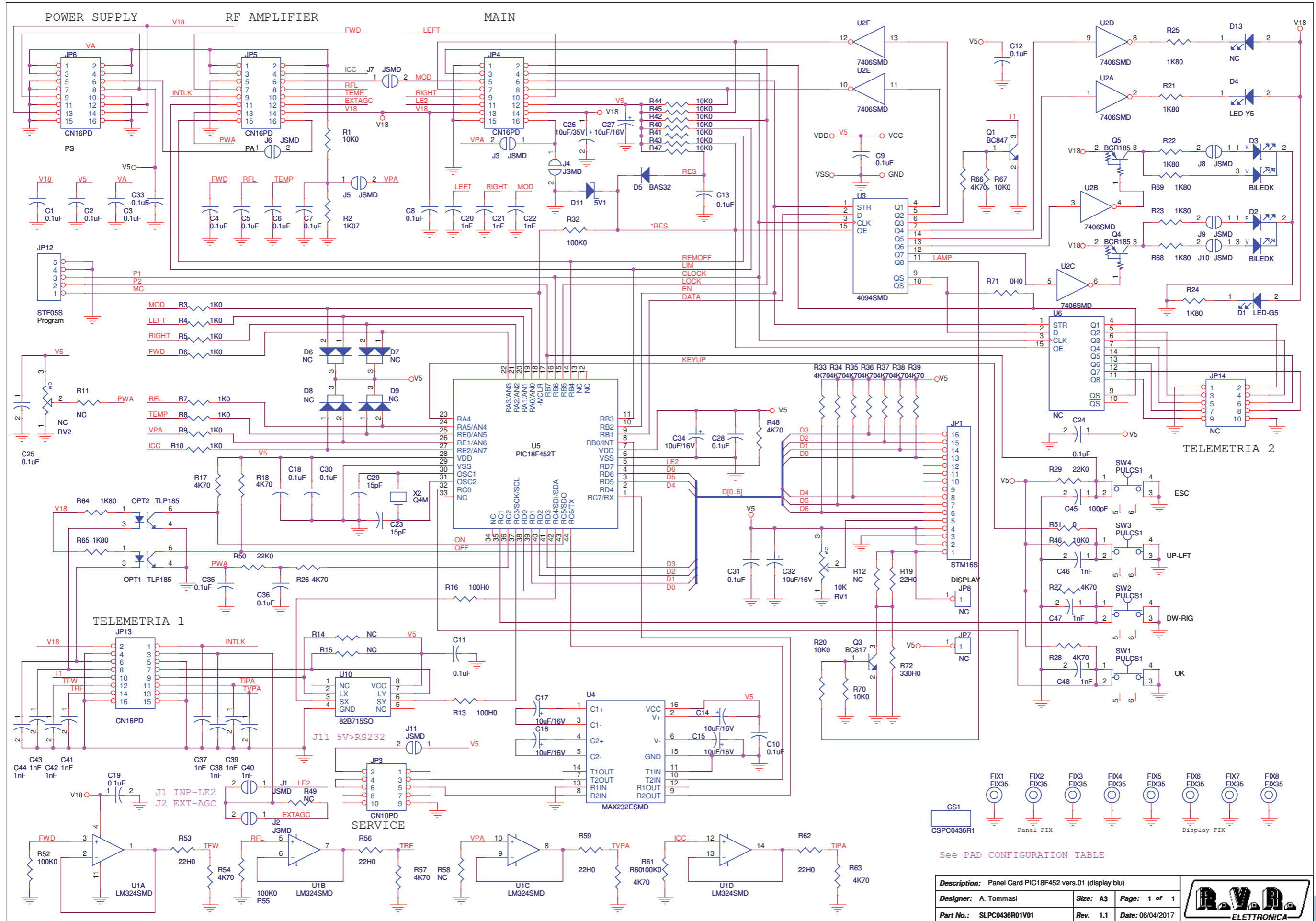
DATE : 03/09/15 REVISION : 1.0 SCALE : 1:1 SIZE : A4 PAGE : 1 DI 1

ARCHIVING : "RVPUT" SERVER, "RILASCIATI" FOLDER

PROJECT CODE : <>

DOCUMENT CODE : SLPC0436R01Vxx

**SLPC0436R01V01**



See PAD CONFIGURATION TABLE

<b>Description:</b> Panel Card PIC18F452 vers.01 (display blu)		
<b>Designer:</b> A. Tommasi	<b>Size:</b> A3	<b>Page:</b> 1 of 1
<b>Part No.:</b> SLPC0436R01V01	<b>Rev.:</b> 1.1	<b>Date:</b> 06/04/2017

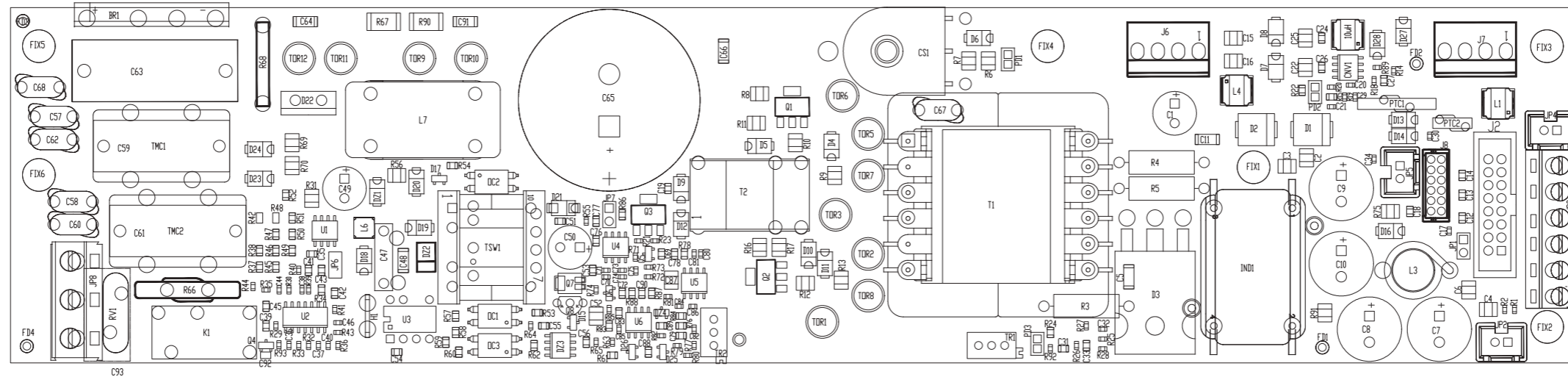



SLPC0436R01V01

Panel Card PIC18F452 vers.01 (display blu)  
 SLPC0436R01V01 Revision: 1.1  
 06/04/2017  
 A. Tommasi

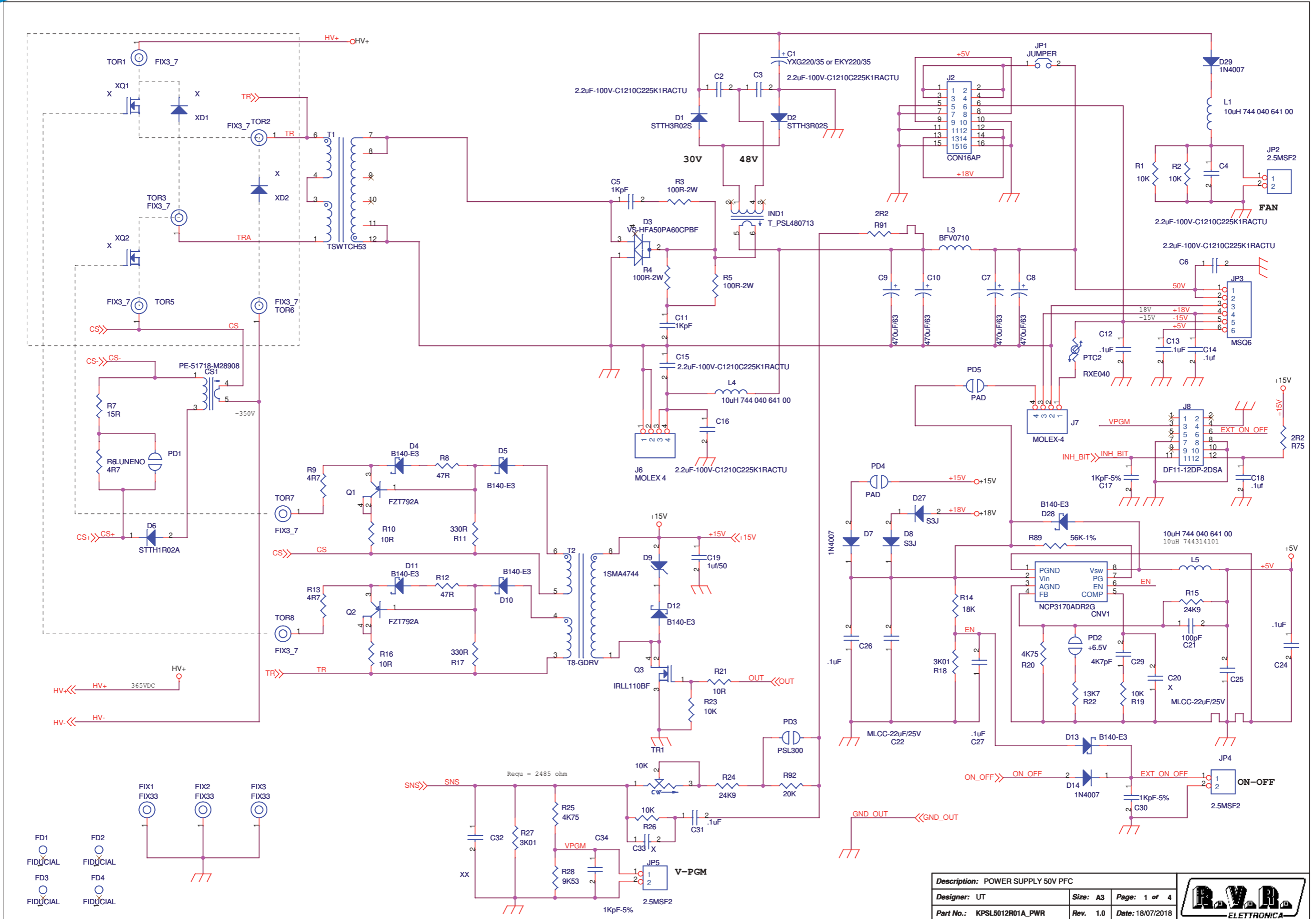
Item	Quantity	Reference	Part	Description
1	1	CS1	CSPC0436R1	Circuito stampato
2	23	C1,C2,C3,C4,C5,C6,C7,C8,C9,C10,C11,C12,C13,C18,C19,C24,C25,C28,C30,C31,C33,C35,C36	0.1uF	Cond. SMD 0805
3	7	C14,C15,C16,C17,C27,C32,C34	10uF/16V	Cond. Elett. SMD d. 4mm
4	14	C20,C21,C22,C37,C38,C39,C40,C41,C42,C43,C44,C46,C47,C48	1nF	Cond. SMD 0805
5	2	C23,C29	15pF	Cond. SMD 0805
6	1	C26	10uF/35V	Cond. Elett. SMD d. 5mm
7	1	C45	100pF	Cond. SMD 0805
8	1	D1	LED-G5	LED Verde dia. 5mm
9	2	D2,D3	BILEDK	Doppio led V-R 5mm Catodo com.
10	1	D4	LED-Y5	LED Giallo dia. 5mm
11	1	D5	BAS32	MINIMELF SMD Diode
12	4	D6,D7,D8,D9	NC	Doppio Diodo SMD SOT23
13	1	D11	5V1	MINIMELF SMD Zener Diode
14	1	D13	NC	LED Giallo dia. 5mm
15	8	FIX1, FIX2, FIX3, FIX4, FIX5, FIX6, FIX7, FIX8	FIX35	Foro fissaggio 3.5mm
16	1	JP1	STM16S	Strip femmina 16 pin
17	1	JP3	CN10PD	Connettore 10 poli Flat cs
18	4	JP4, JP5, JP6, JP13	CN16PD	Connettore 16 poli Flat cs
19	2	JP7, JP8	NC	Strip femmina 1 pin
20	1	JP12	STF05S	Strip femmina o 5 pin
21	1	JP14	NC	Connettore 10 poli Flat cs
22	11	J1, J2, J3, J4, J5, J6, J7, J8, J9, J10, J11	JSMD	Pad SMD a saldare
23	2	OPT1, OPT2	TLP185	Optoisolatore SMD SO6
24	1	Q1	BC847	Trans. NPN SOT23
25	1	Q3	BC817	Trans. NPN SOT23
26	2	Q4, Q5	BCR185	Trans./Res. PNP SOT23
27	1	RV1	10K	Trimmer Rg O 3386X
28	1	RV2	NC	Trimmer Rg V 3296W
29	12	R1, R20, R40, R41, R42, R43, R44, R45, R46, R47, R67, R70	10K0	Res. SMD 0805 1%
30	1	R2	1K07	Res. SMD 0805 1%
31	8	R3, R4, R5, R6, R7, R8, R9, R10	1K0	Res. SMD 0805 1%
32	6	R11, R12, R14, R15, R49, R58	NC	Res. SMD 0805 1%
33	2	R13, R16	100H0	Res. SMD 0805 1%
34	18	R17, R18, R26, R27, R28, R33, R34, R35, R36, R37, R38, R39, R48, R54, R57, R60, R63, R66	4K70	Res. SMD 0805 1%
35	5	R19, R53, R56, R59, R62	22H0	Res. SMD 0805 1%
36	9	R21, R22, R23, R24, R25, R64, R65, R68, R69	1K80	Res. SMD 0805 1%
37	2	R29, R50	22K0	Res. SMD 0805 1%
38	4	R32, R52, R55, R61	100K0	Res. SMD 0805 1%
39	2	R51, R71	0H0	Res. SMD 0805 1%
40	1	R72	330H0	Res. SMD 0805 1%
41	4	SW1, SW2, SW3, SW4	PULCS1	Pulsante cs
42	1	U1	LM324SMD	Quad Op. SMD SO14
43	1	U2	7406SMD	Hex inv OC SMD SO14
44	1	U3	4094SMD	Shift Reg. SMD SO16
45	1	U4	MAX232ESMD	RS232 Driver SMD SO16
46	1	U5	PIC18F452T	TQFP44 SMD Microprocessor
47	1	U6	NC	Shift Reg. SMD SO16
48	1	U10	82B715SO	IIC Bus driver SMD SO8
49	1	X2	Q4M	Quarzo SMD HC49SMD

KPSL5012R01A



	PRODUCT NAME : TEX300LCD	PART NAME : POWER SUPPLY 50V PFC			
	DESIGNER : UT	DATE : 18/07/18	REVISION : 1.0	SCALE : 1:1	SIZE : A3
ARCHIVING : *RVUT* SERVER, *RILASCIATI* FOLDER	PROJECT CODE : <	DOCUMENT CODE : KPSL5012R01A			

KPSL5012R01A

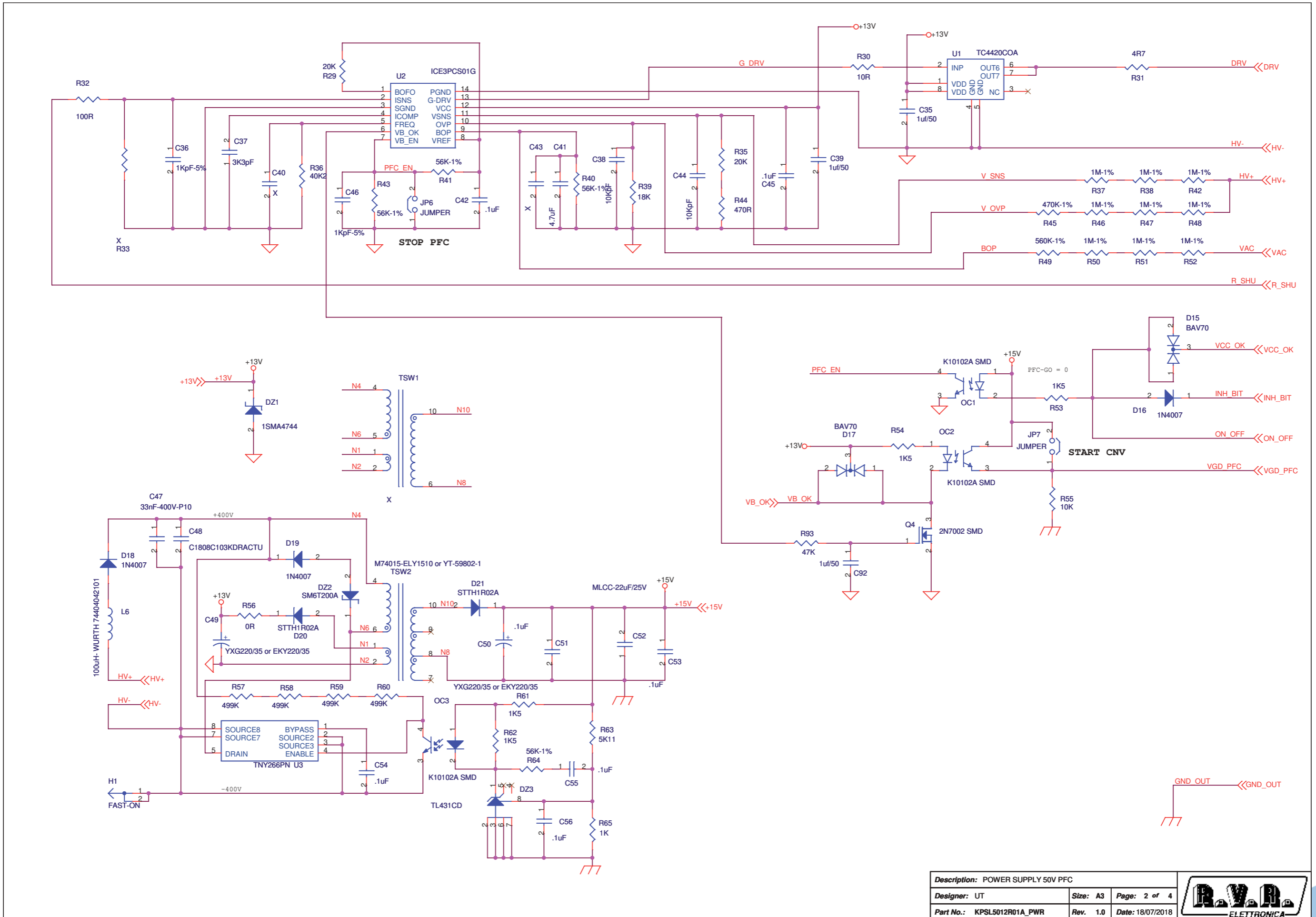


<b>Description:</b> POWER SUPPLY 50V PFC		
<b>Designer:</b> UT	<b>Size:</b> A3	<b>Page:</b> 1 of 4
<b>Part No.:</b> KPSL5012R01A_PWR	<b>Rev.:</b> 1.0	<b>Date:</b> 18/07/2018





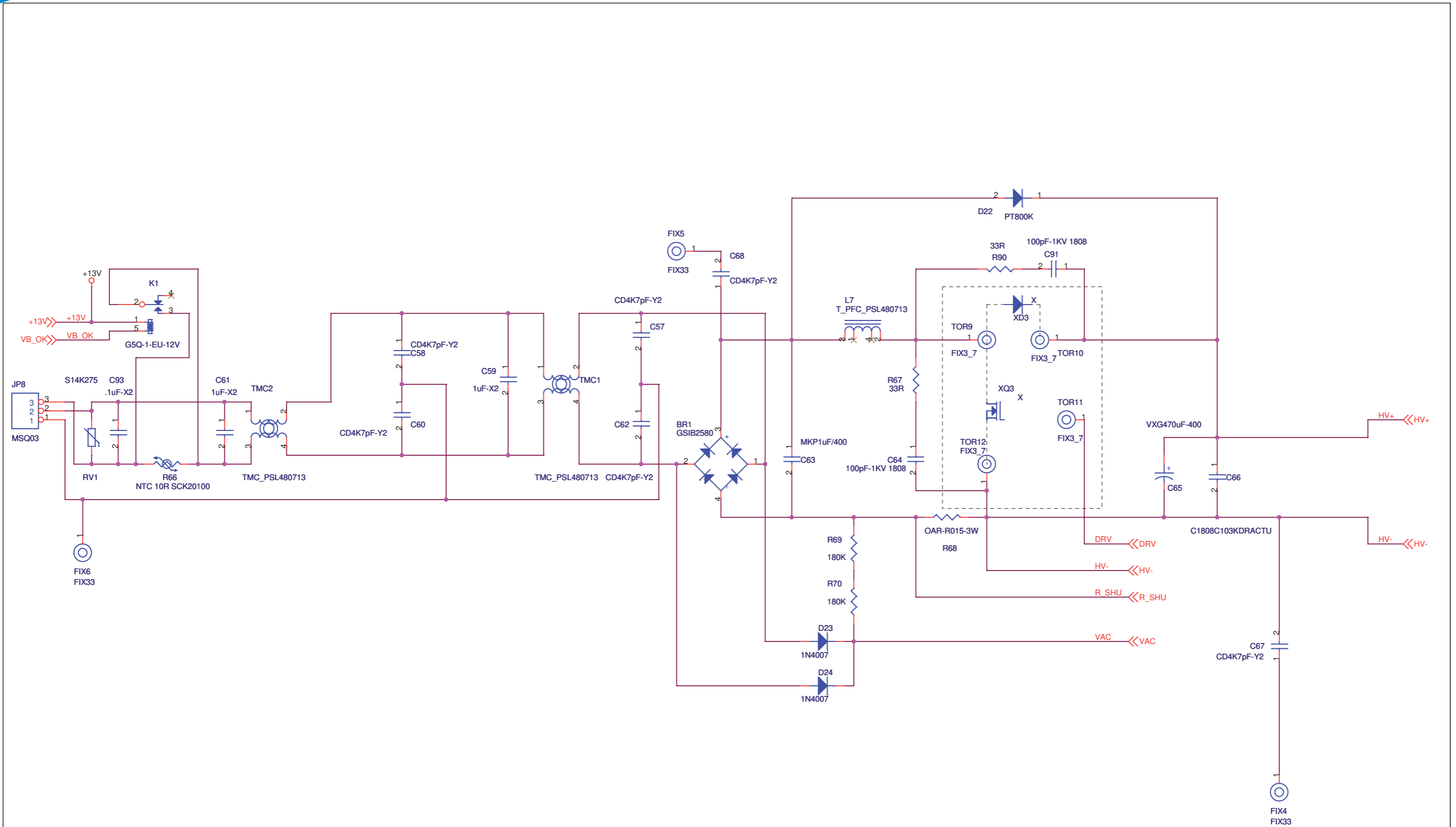
KPSL5012R01A



Description: POWER SUPPLY 50V PFC		
Designer: UT	Size: A3	Page: 2 of 4
Part No.: KPSL5012R01A_PWR	Rev. 1.0	Date: 18/07/2018

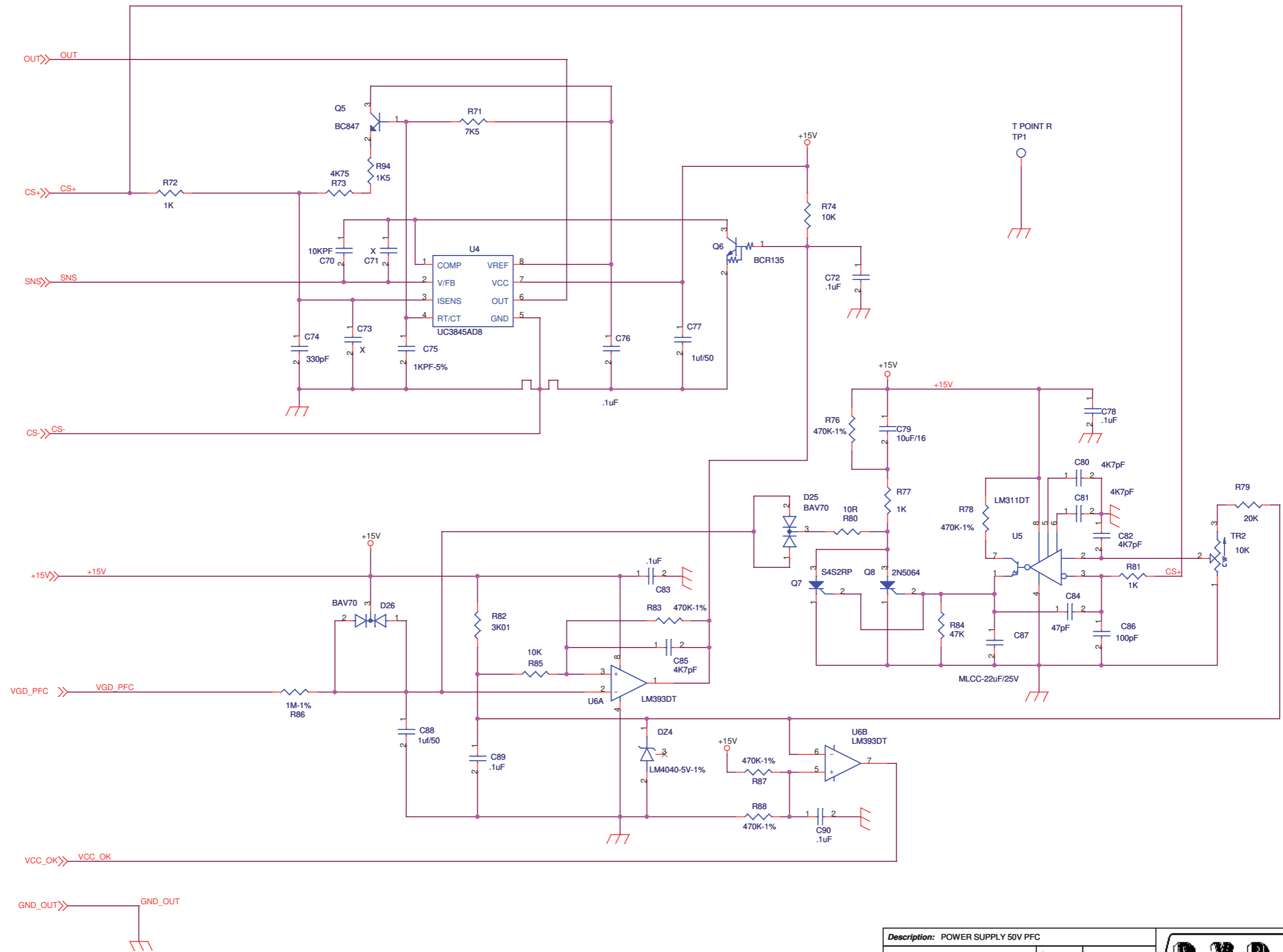


KPSL5012R01A



Description: POWER SUPPLY 50V PFC			
Designer: UT	Size: A3	Page: 3 of 4	
Part No.: KPSL5012R01A_PWR	Rev. 1.0	Date: 18/07/2018	

KPSL5012R01A



Description: POWER SUPPLY 50V PFC			
Designer: UT	Size: A3	Page: 4 of 4	
Part No.: KPSL5012R01A_PWR	Rev. 1.0	Date: 18/07/2018	

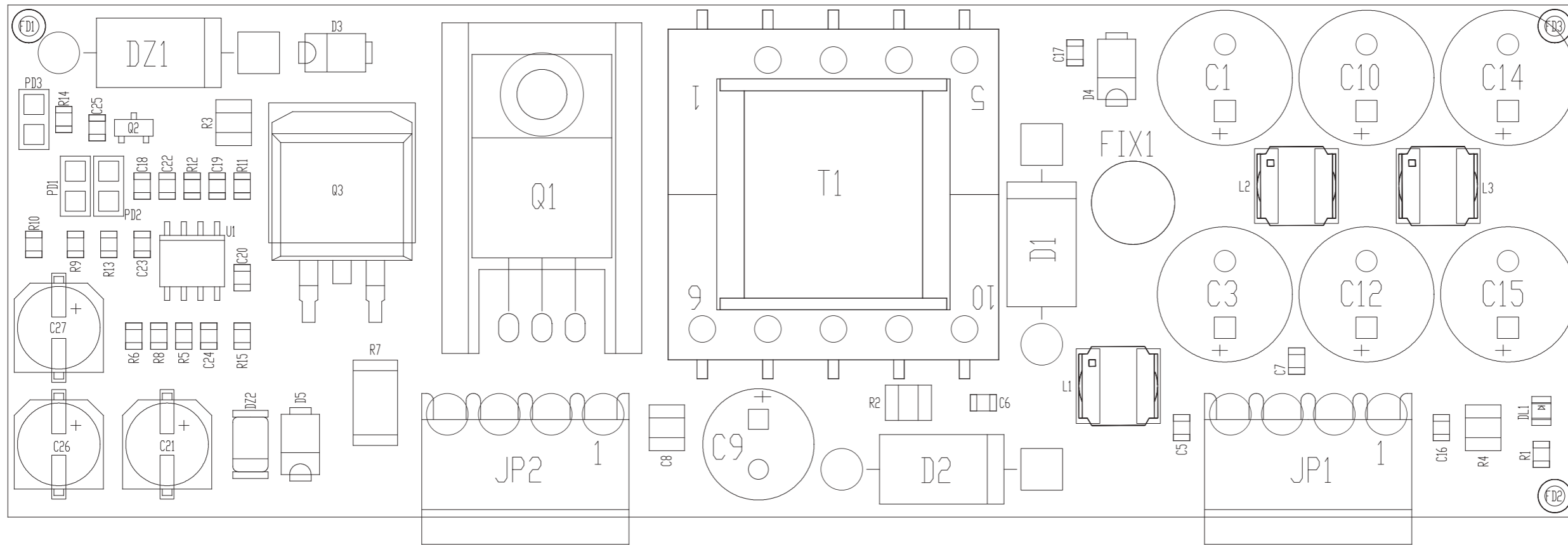
KPSL5012R01A

POWER SUPPLY 50V PFC Revised: 18/07/2018  
 KPSL5012R01A\_PWR Revision: 1.0  
 UT

Item	Quantity	Reference	Part
1	1	BR1	GSIB2580
2	1	CNV1	NCP3170ADR2G
3	1	CS1	PE-51718-M28908
4	3	C1, C49, C50	YXG220/35 or EKY220/35
5	6	C2, C3, C4, C6, C15, C16	2.2uF-100V-C1210C225K1RACTU
6	2	C5, C11	1KpF
7	4	C7, C8, C9, C10	470uF/63
8	21	C12, C13, C14, C18, C24, C26, C27, C31, C42, C45, C51, C53, C54, C55, C56, C72, C76, C78, C83, C89, C90	.1uF
9	6	C17, C30, C34, C36, C46, C75	1KPF-5%
10	6	C19, C35, C39, C77, C88, C92	1uF/50
11	5	C20, R33, C40, C71, C73	X
12	2	C21, C86	100pF
13	4	C22, C25, C52, C87	MLCC-22uF/25V
14	5	C29, C80, C81, C82, C85	4K7pF
15	1	C32	XX
16	2	C33, C43	X
17	1	C37	3K3pF
18	3	C38, C44, C70	10KPF
19	1	C41	4.7uF
20	1	C47	33nF-400V-P10
21	2	C48, C66	C1808C103KDRACTU
22	6	C57, C58, C60, C62, C67, C68	CD4K7pF-Y2
23	2	C59, C61	1uF-X2
24	1	C63	MKP1uF/400
25	2	C64, C91	100pF-1KV 1808
26	1	C65	VXG470uF-400
27	1	C74	330pF
28	1	C79	10uF/16
29	1	C84	47pF
30	1	C93	.1uF-X2
31	2	DZ1, D9	1SMA4744
32	1	DZ2	SM6T200A
33	1	DZ3	TL431CD
34	1	DZ4	LM4040-5V-1%
35	2	D1, D2	STTH3R02S
36	1	D3	VS-HFA50PA60CPBF
37	7	D4, D5, D10, D11, D12, D13, D28	B140-E3
38	3	D6, D20, D21	STTH1R02A
39	7	D7, D14, D16, D18, D19, D23, D24	1N4007
40	2	D8, D27	S3J
41	4	D15, D17, D25, D26	BAV70
42	1	D22	PT800K
43	1	D29	1N4007
44	4	FD1, FD2, FD3, FD4	FIDUCIAL
45	6	FIX1, FIX2, FIX3, FIX4, FIX5, FIX6	FIX33
46	1	H1	FAST-ON
47	1	IND1	T_PSL480713
48	3	JP1, JP6, JP7	JUMPER
49	3	JP2, JP4, JP5	2.5MSF2
50	1	JP3	MSQ6
51	1	JP8	MSQ03
52	1	J2	CON16AP
53	1	J6	MOLEX 4
54	1	J7	MOLEX-4
55	1	J8	DF11-12DP-2DSA
56	1	K1	G5Q-1-EU-12V
57	3	L1, L4, L5	10uH 744 040 641 00
58	1	L3	BFV0710

Item	Quantity	Reference	Part
59	1	L6	100uH- WURTH 74404042101
60	1	L7	T_PFC_PSL480713
61	3	OC1, OC2, OC3	K10102A SMD
62	1	PD1	LUNENO
63	1	PD2	+6.5V
64	1	PD3	PSL300
65	2	PD4, PD5	PAD
66	1	PTC2	RXE040
67	2	Q1, Q2	FZT792A
68	1	Q3	IRLL110BF
69	1	Q4	2N7002 SMD
70	1	Q5	BC847
71	1	Q6	BCR135
72	1	Q7	S4S2RP
73	1	Q8	2N5064
74	1	RV1	S14K275
75	8	R1, R2, R19, R23, R26, R55, R74, R85	10K
76	3	R3, R4, R5	100R-2W
77	4	R6, R9, R13, R31	4R7
78	1	R7	15R
79	2	R8, R12	47R
80	2	R10, R16	10R
81	2	R11, R17	330R
82	2	R14, R39	18K
83	2	R15, R24	24K9
84	3	R18, R27, R82	3K01
85	3	R20, R25, R73	4K75
86	3	R21, R30, R80	10R
87	1	R22	13K7
88	1	R28	9K53
89	4	R29, R35, R79, R92	20K
90	1	R32	100R
91	1	R36	40K2
92	10	R37, R38, R42, R46, R47, R48, R50, R51, R52, R86	1M-1%
93	5	R40, R41, R43, R64, R89	56K-1%
94	1	R44	470R
95	6	R45, R76, R78, R83, R87, R88	470K-1%
96	1	R49	560K-1%
97	5	R53, R54, R61, R62, R94	1K5
98	1	R56	0R
99	4	R57, R58, R59, R60	499K
100	1	R63	5K11
101	4	R65, R72, R77, R81	1K
102	1	R66	NTC 10R SCK20100
103	2	R67, R90	33R
104	1	R68	QAR-R015-3W
105	2	R69, R70	180K
106	1	R71	7K5
107	2	R75, R91	2R2
108	2	R84, R93	47K
109	2	TMC1, TMC2	TMC_PSL480713
110	11	TOR1, TOR2, TOR3, TOR5, TOR6, TOR7, TOR8, TOR9, TOR10, TOR11, TOR12	FIX3_7
111	1	TP1	T POINT R
112	2	TR1, TR2	10K
113	1	TSW1	X
114	1	TSW2	M74015-ELY1510 or YT-59802-1
115	1	T1	TSWTCH53
116	1	T2	T8-GDRV
117	1	U1	TC4420COA
118	1	U2	ICE3PCS01G
119	1	U3	TNY266PN
120	1	U4	UC3845AD8
121	1	U5	LM311DT
122	1	U6	LM393DT
123	6	XQ1, XD1, XQ2, XD2, XQ3, XD3	X

KPSL5012R01A



PRODUCT NAME : TEX300LCD

DESIGNER : UT

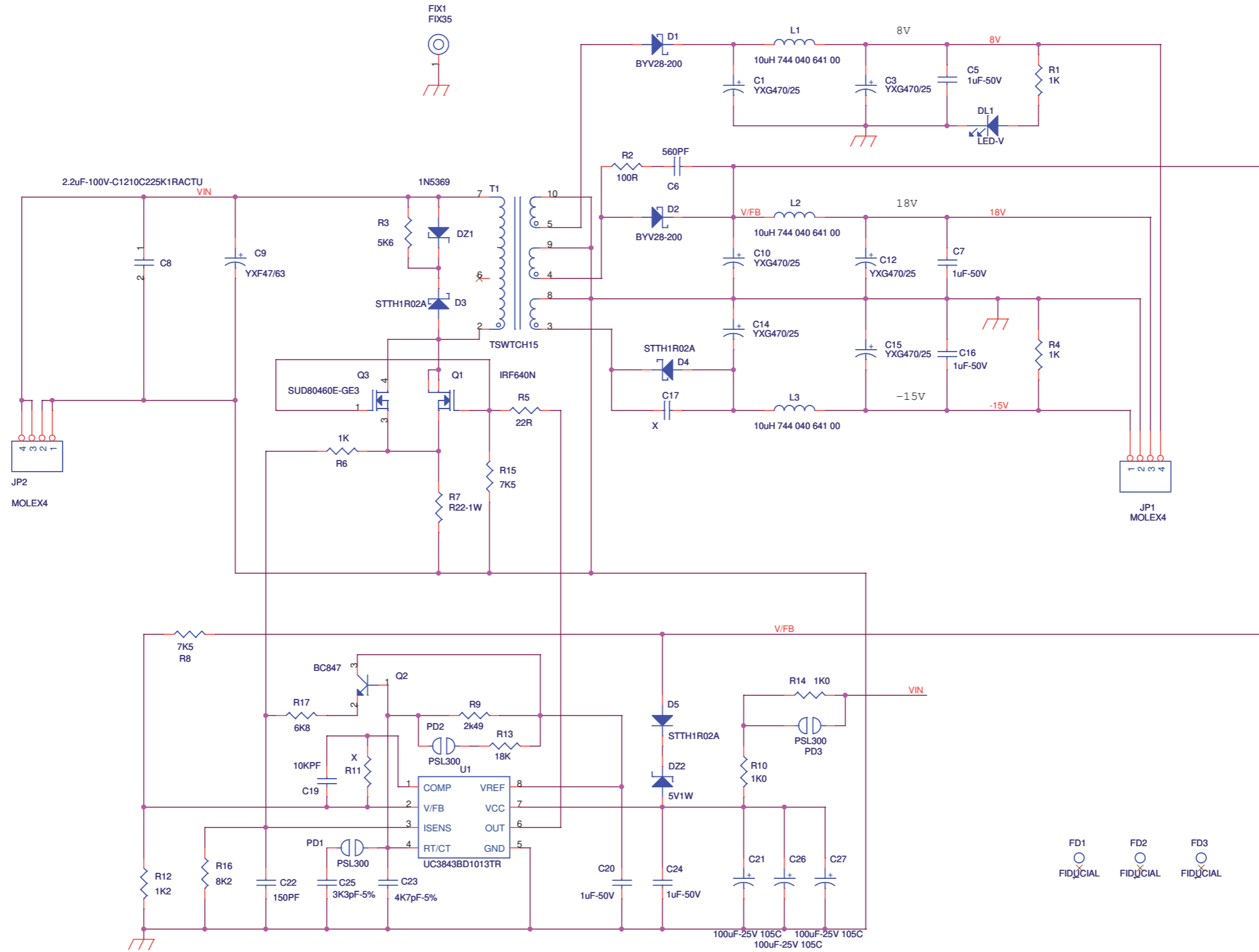
ARCHIVING : "RVUT" SERVER, "RILASCIATI" FOLDER

PART NAME : POWER SUPPLY 50V PFC (AUX SECTION)

DATE : 18/07/18 REVISION : 1.0 SCALE : 2:1 SIZE : A4 PAGE : 1 DI 1

PROJECT CODE : <> DOCUMENT CODE : KPSL5012R01A\_AUS

KPSL5012R01A



<b>Description:</b> POWER SUPPLY 50V PFC (AUX SECTION)		
<b>Designer:</b> UT	<b>Size:</b> A3	<b>Page:</b> 1 of 1
<b>Part No.:</b> KPSL5012R01A_AUS	<b>Rev.:</b> 1.0	<b>Date:</b> 18/07/2018

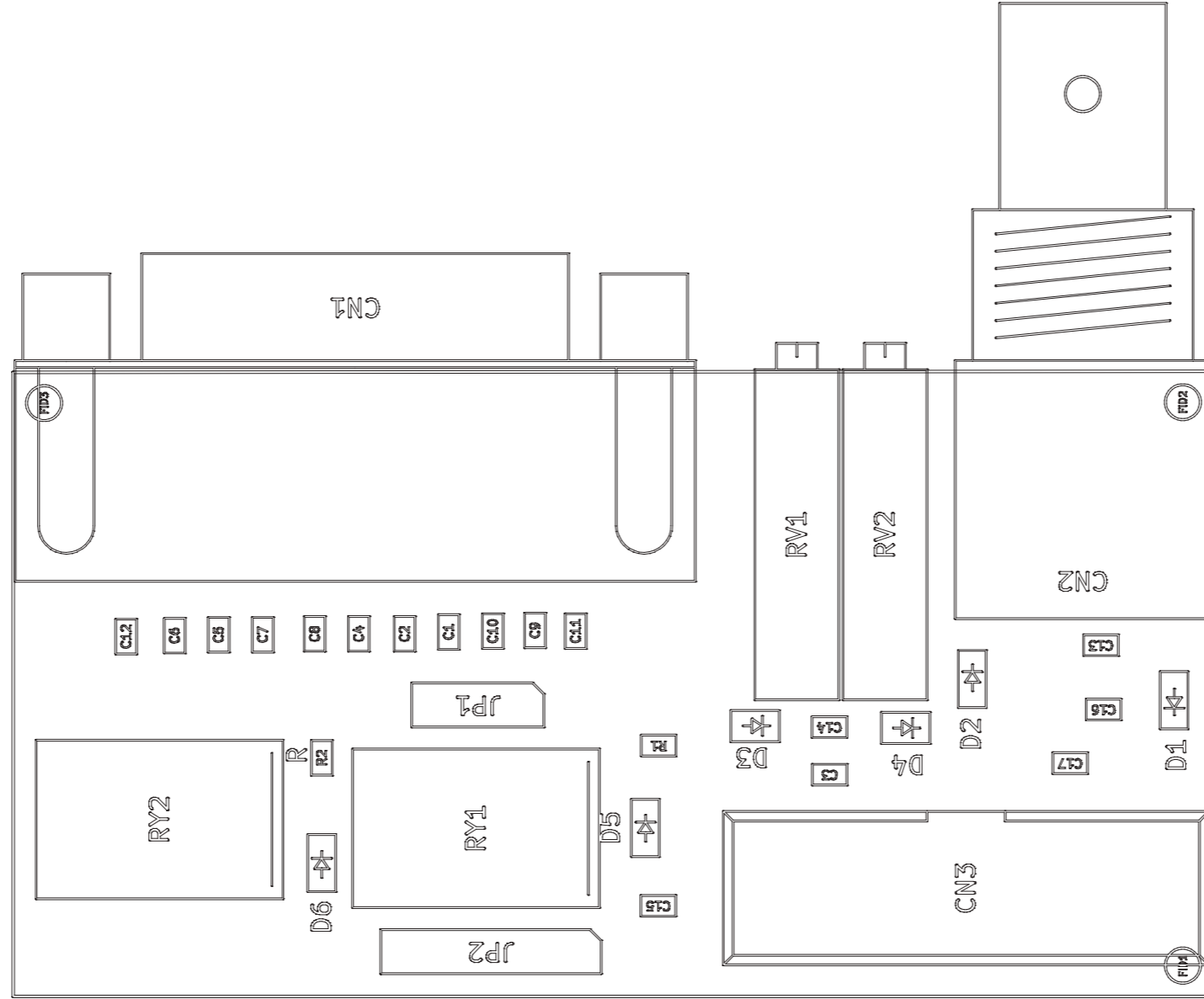




KPSL5012R01A

POWER SUPPLY 50V PFC (AUX SECTION) Revised: 18/07/2018  
 KPSL5012R01A\_AUS Revision: 1.0  
 UT

Item	Quantity	Reference	Part
1	6	C1, C3, C10, C12, C14, C15	YXG470/25
2	5	C5, C7, C16, C20, C24	1uF-50V
3	1	C6	560PF
4	1	C8	2.2uF-100V-C1210C225K1RACTU
5	1	C9	YXF47/63
6	2	R11, C17	X
7	1	C19	10KPF
8	3	C21, C26, C27	100uF-25V 105C
9	1	C22	150PF
10	1	C23	4K7pF-5%
11	1	C25	3K3pF-5%
12	1	DL1	LED-V
13	1	DZ1	1N5369
14	1	DZ2	5V1W
15	2	D1, D2	BYV28-200
16	3	D3, D4, D5	STTH1R02A
17	3	FD1, FD2, FD3	FIDUCIAL
18	1	FIX1	FIX35
19	2	JP1, JP2	MOLEX4
20	3	L1, L2, L3	10uH 744 040 641 00
21	3	PD1, PD2, PD3	PSL300
22	1	Q1	IRF640N
23	1	Q2	BC847
24	1	Q3	SUD80460E-GE3
25	2	R1, R6	1K
26	1	R2	100R
27	1	R3	5K6
28	1	R4	1K
29	1	R5	22R
30	1	R7	R22-1W
31	2	R8, R15	7K5
32	1	R9	2k49
33	2	R10, R14	1K0
34	1	R12	1K2
35	1	R13	18K
36	1	R16	8K2
37	1	R17	6K8
38	1	T1	TSWTCH15
39	1	U1	UC3843BD1013TR



PRODUCT NAME : TEX-TFT

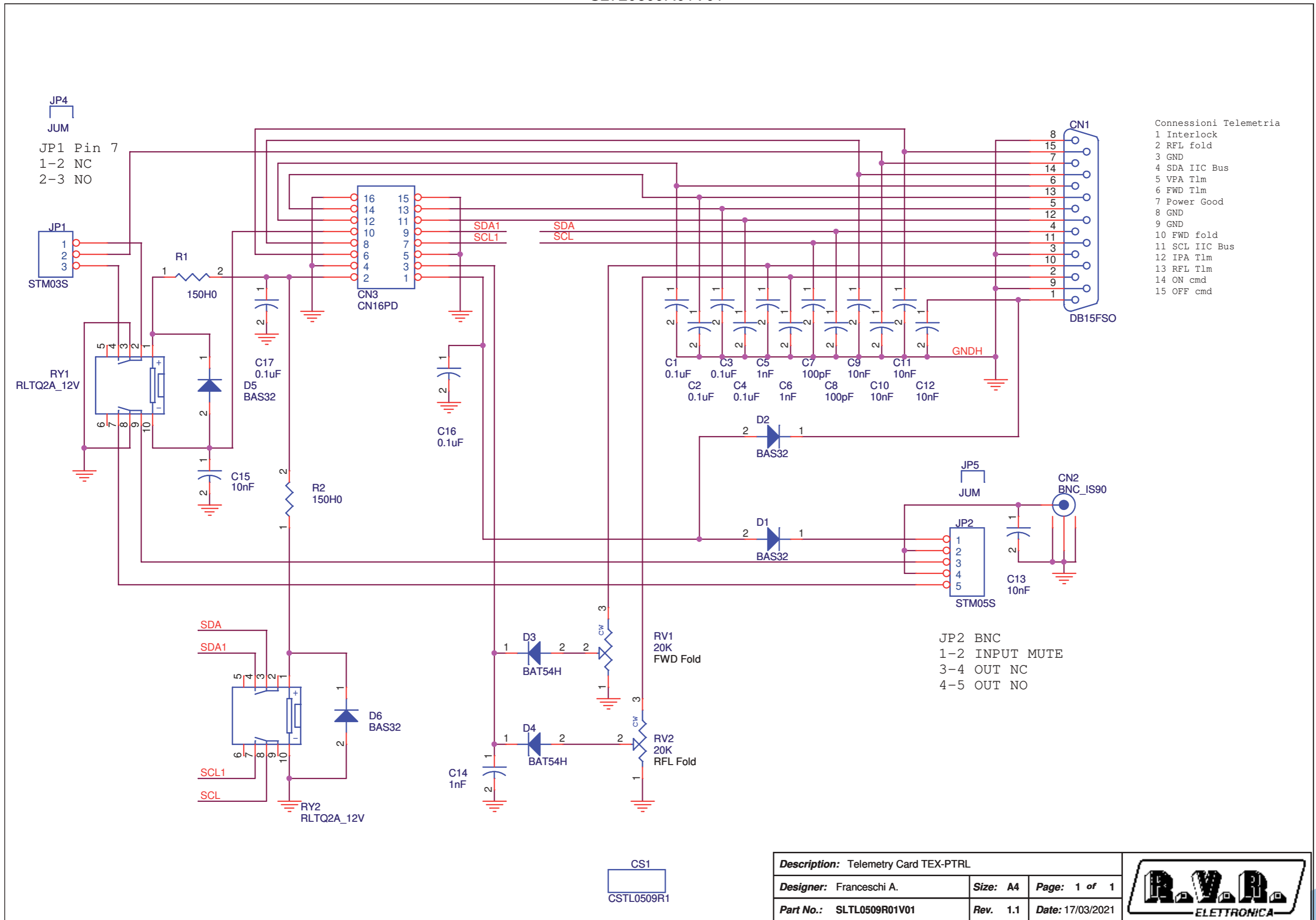
DESIGNER : FRANCESCHI A.

ARCHIVING : "RVUT" SERVER, "RILASCIATI" FOLDER

PART NAME : TELEMETRY CARD

DATE : 22/06/20 REVISION : 1.0 SCALE : 2:1 SIZE : A4 PAGE : 1 DI 1

PROJECT CODE : <> DOCUMENT CODE : SLTL0509R01V\*\*



<b>Description:</b> Telemetry Card TEX-PTRL		
<b>Designer:</b> Franceschi A.	<b>Size:</b> A4	<b>Page:</b> 1 of 1
<b>Part No.:</b> SLTL0509R01V01	<b>Rev.:</b> 1.1	<b>Date:</b> 17/03/2021



SLTL0509R01V01

Telemetry Card TEX-PTRL Revised: 17/03/2021  
 SLTL0509R01V01 Revision: 1.1  
 Franceschi A.

Item	Quantity	Reference	Part	Description
1	1	CN1	DB15FSO	DB15 fem. PCB 90° conn.
2	1	CN2	BNC_IS90	Metal BNC conn. 90°
3	1	CN3	CN16PD	16 way pcb conn. with holder
4	1	CS1	CSTL0509R1	Printed Circuit board
5	6	C1, C2, C3, C4, C16, C17	0.1uF	0805 SMD capacitor
6	3	C5, C6, C14	1nF	0805 SMD capacitor
7	2	C7, C8	100pF	0805 SMD capacitor
8	6	C9, C10, C11, C12, C13, C15	10nF	0805 SMD capacitor
9	4	D1, D2, D5, D6	BAS32	MINIMELF SMD Diode
10	2	D3, D4	BAT54H	SOD123F SMD Diode
11	1	JP1	STM03S	Male strip 3 pin
12	1	JP2	STM05S	Male strip 5 pin
13	2	JP4, JP5	JUM	Jumper
14	2	RV1, RV2	20K	Trimmer Rg H 3006
15	2	RY1, RY2	RLTQ2A_12V	TQ2 relay
16	2	R1, R2	150H0	0805 SMD res.