



TEX150LCD/S

TECHNICAL ANNEX
VOLUME 2



R.V.R. Elettronica S.r.l.
Via del Fonditore, 2 / 2c
Zona Industriale Roveri - 40138 Bologna - Italy
Phone: +39 051 6010506 - Fax: +39 051 6011104
e-mail: info@rvr.it - web: http://www.rvr.it

Member of CISQ Federation



CERTIFIED MANAGEMENT SYSTEM
ISO 9001



The RVR Logo, and others referenced RVR products and services are trademarks of RVR Elettronica in Italy, other countries or both. RVR © 1998 all rights reserved.
All other trademarks, trade names or logos used are property of their respective owners.

Manufactured by R.V.R. ELETTRONICA S.r.l. Italy



Appendix A Piani di montaggio, schemi elettrici, liste componenti / *Component layouts, schematics, bills of material*

Questa parte del manuale contiene i dettagli tecnici riguardanti la costruzione delle singole schede componenti il TEX150LCD/S. L'appendice è composta dalle seguenti sezioni:

This part of the manual contains the technical details about the different boards of the TEX150LCD/S. This appendix is composed of the following sections:

Description	RVR Code	Vers.	Pages
Wiring Diagrams	/	3.0	1
Main Board	SLMA0383R02V01	1.1	3
Stereo Coder Card	SLCTC30V03	1.2	8
15kHz Audio Filter Card	SLAU0469R01V02	1.0	11
Control Card	SLCNTMOS07.150	1.3	14
Power Amplifier	SLPA150TEXR2	1.9	17
Panel Card	SLPC0436R01V01	1.1	20
Power Supply	KPSL3010R01A	1.0	23
Telemetry Card	SLTL0509R01V01	1.1	32

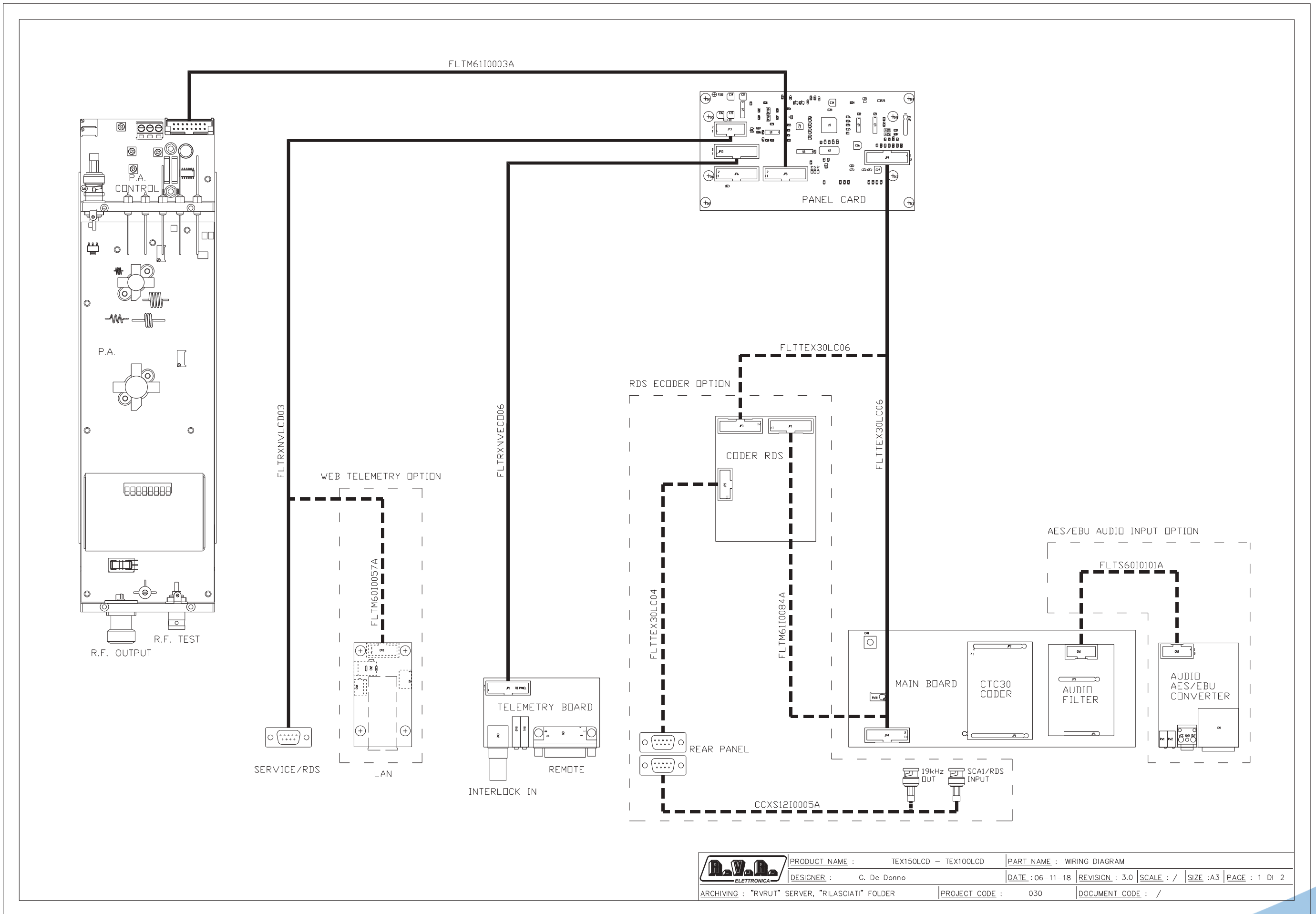
Document History

Date	Version	Reason	Code	Editor
26/06/2019	2.0	First Release (Version 2)	/	J.H. Berti
17/06/2022	2.1	Wiring Diagrams, SLMA0383R02V01, SLCNTMOS07.150, SLPA150TEXR2, SLTL0509R01V01 Upgrade	/	J.H. Berti
10/03/2023	2.2	SLAU0469R01V02 upgrade	/	J.H. Berti

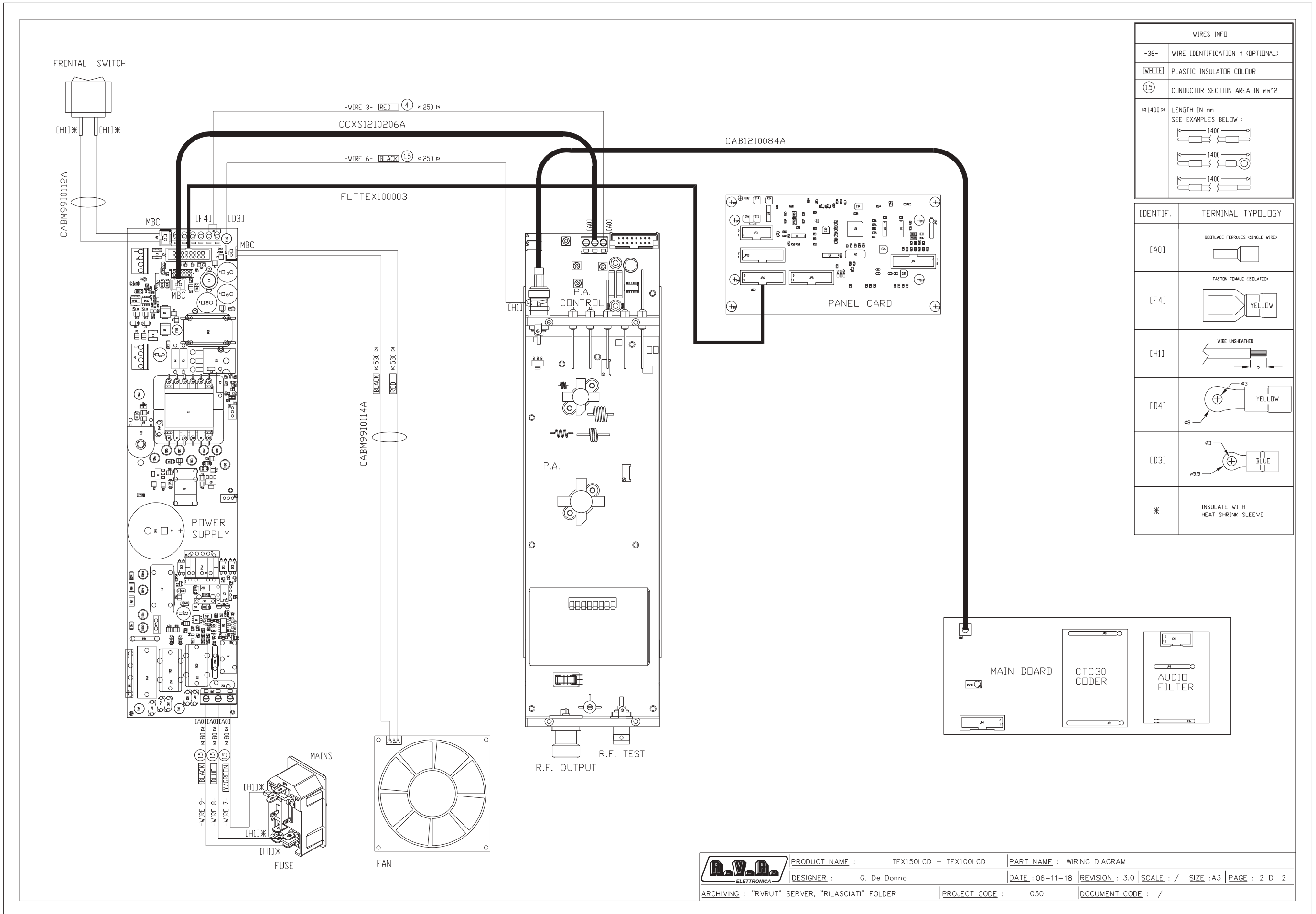
TEX150LCD/S

Spare Parts Name	Spare Parts Code
Switching power supply	KPSL3010R01A + SP-SRG085A
RF final control card	SP-BIA030A
RF final section	SP-FIN030A
Mosfet	TRNMRF136
Mosfet	TRNMRF141
Main audio card + PLL + VCO	SP-MBD175A
CPU panel & Display	SP-PAN175A
Telemetry	SP-TLM175A
Fan	VTL9G0824G102

/

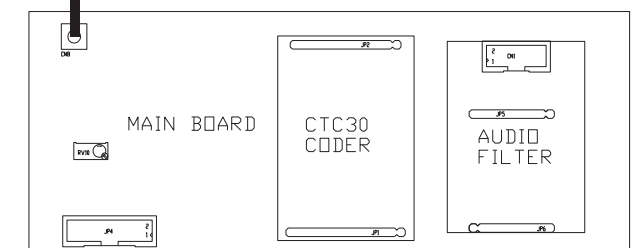


	PRODUCT NAME :	TEX150LCD - TEX100LCD	PART NAME :	WIRING DIAGRAM
	DESIGNER :	G. De Donno	DATE :	06-11-18
ARCHIVING :	"RVVUT" SERVER, "RILASCIATI" FOLDER	PROJECT CODE :	030	DOCUMENT CODE : /
		REVISION :	3.0	SCALE : /
		SIZE :	A3	PAGE : 1 DI 2



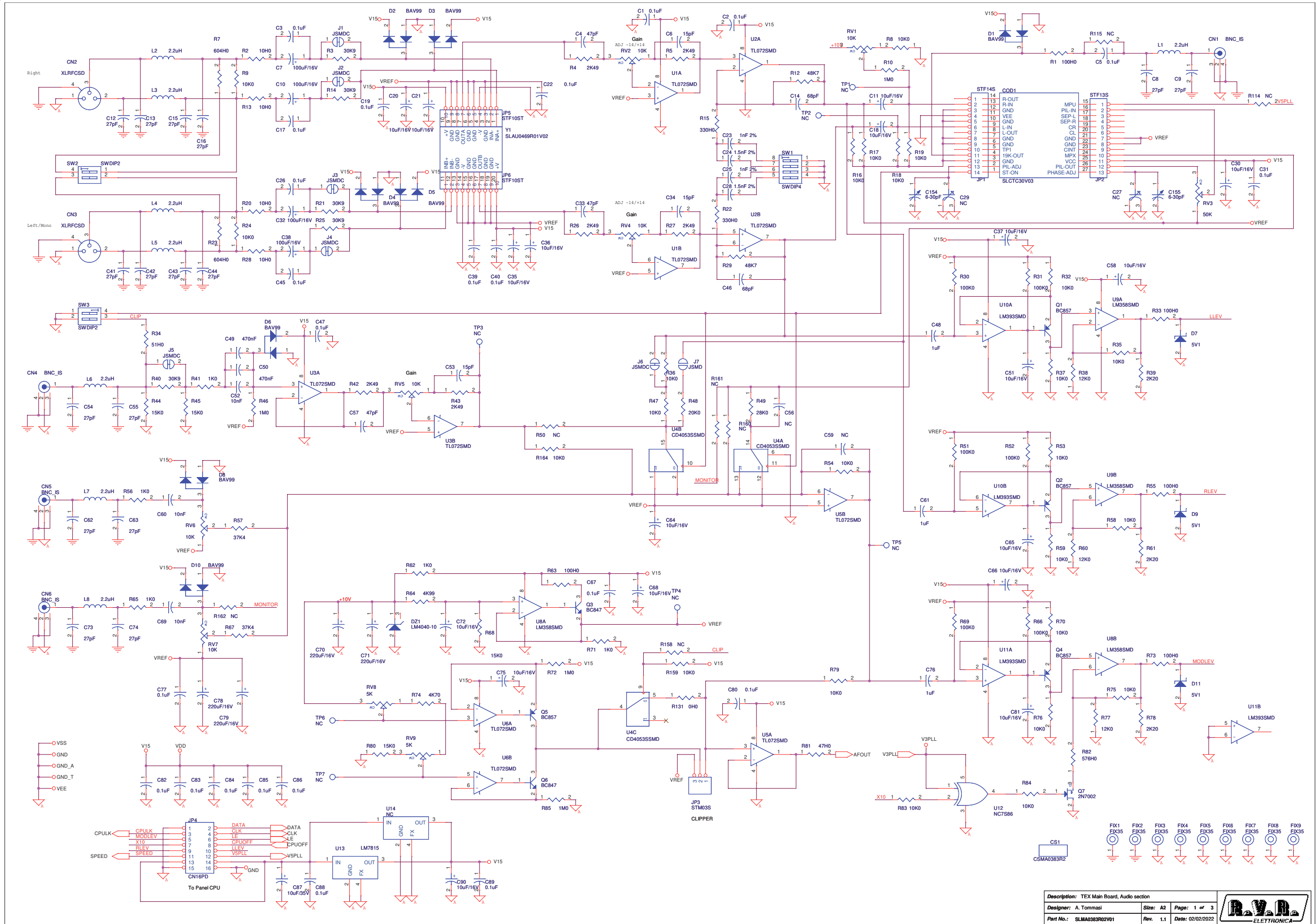
WIRES INFO	
-36-	WIRE IDENTIFICATION # (OPTIONAL)
[WHITE]	PLASTIC INSULATOR COLOUR
(15)	CONDUCTOR SECTION AREA IN mm ²
$\times 1400$ μ m	LENGTH IN mm SEE EXAMPLES BELOW :

IDENTIF.	TERMINAL TYPOLOGY
[A0]	RODFACE FERRULES (SINGLE WIRE)
[F4]	FASTON FEMALE (ISOLATED)
[HI]	WIRE UNSHEATHED
[D4]	 YELLOW
[D3]	 BLUE
*	INSULATE WITH HEAT SHRINK SLEEVE



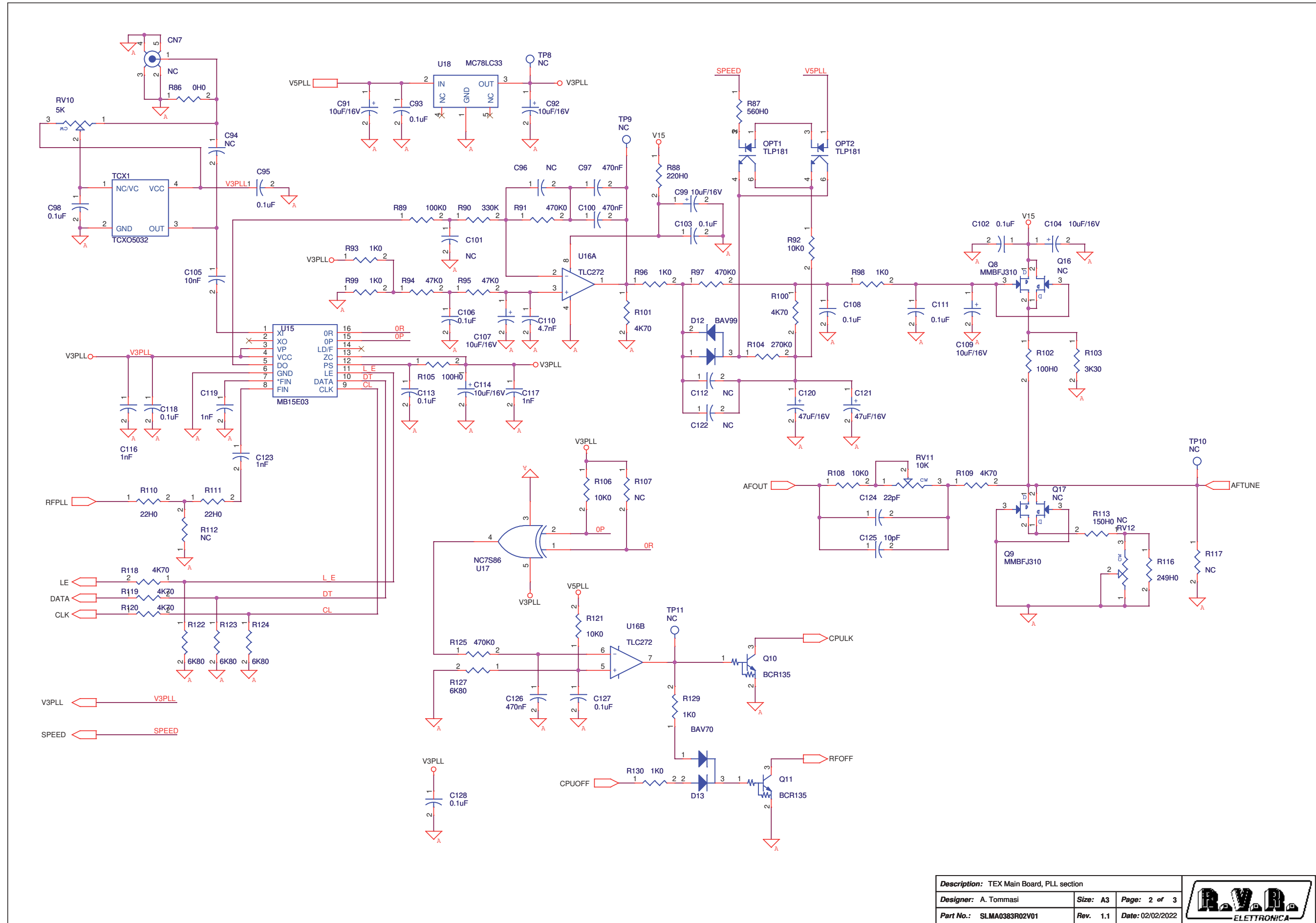
	PRODUCT NAME :	TEX150LCD - TEX100LCD	PART NAME :	WIRING DIAGRAM	
	DESIGNER :	G. De Donno	DATE :	06-11-18	
ARCHIVING :	"RVRUT" SERVER, "RILASCIATI" FOLDER	PROJECT CODE :	030	DOCUMENT CODE :	/
			REVISION :	3.0	
			SCALE :	/	
			SIZE :	A3	
			PAGE :	2 DI 2	

SLMA0383R02V01



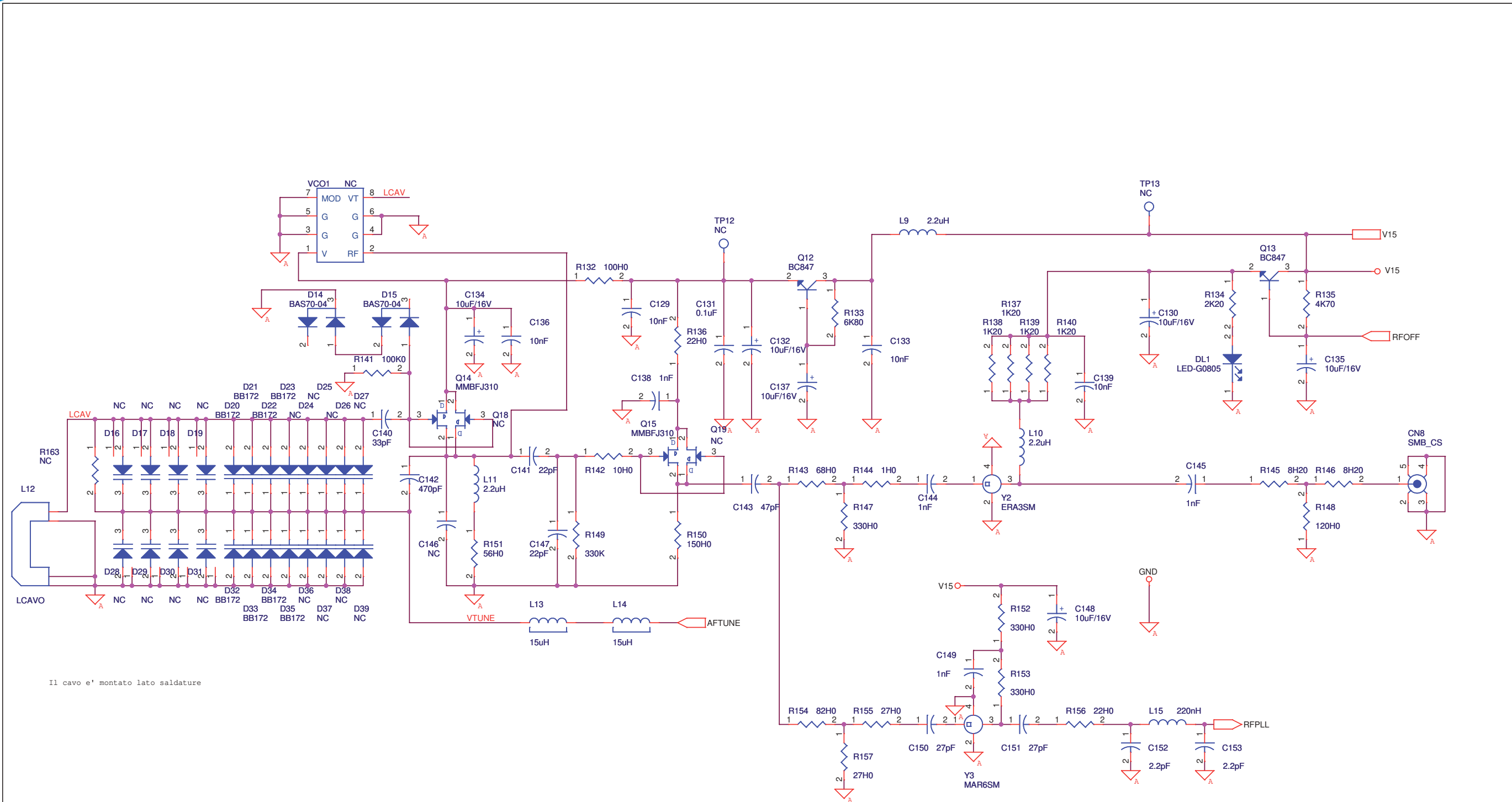
Description: TEX Main Board, Audio section			
Designer: A. Tommasi	Size: A2	Page: 1 of 3	R.V.R. ELETTRONICA
Part No.: SLMA0383R02V01	Rev. 1.1	Date: 02/02/2022	

SLMA0383R02V01



Description: TEX Main Board, PLL section		
Designer: A. Tommasi	Size: A3	Page: 2 of 3
Part No.: SLMA0383R02V01	Rev. 1.1	Date: 02/02/2022





Il cavo e' montato lato saldature

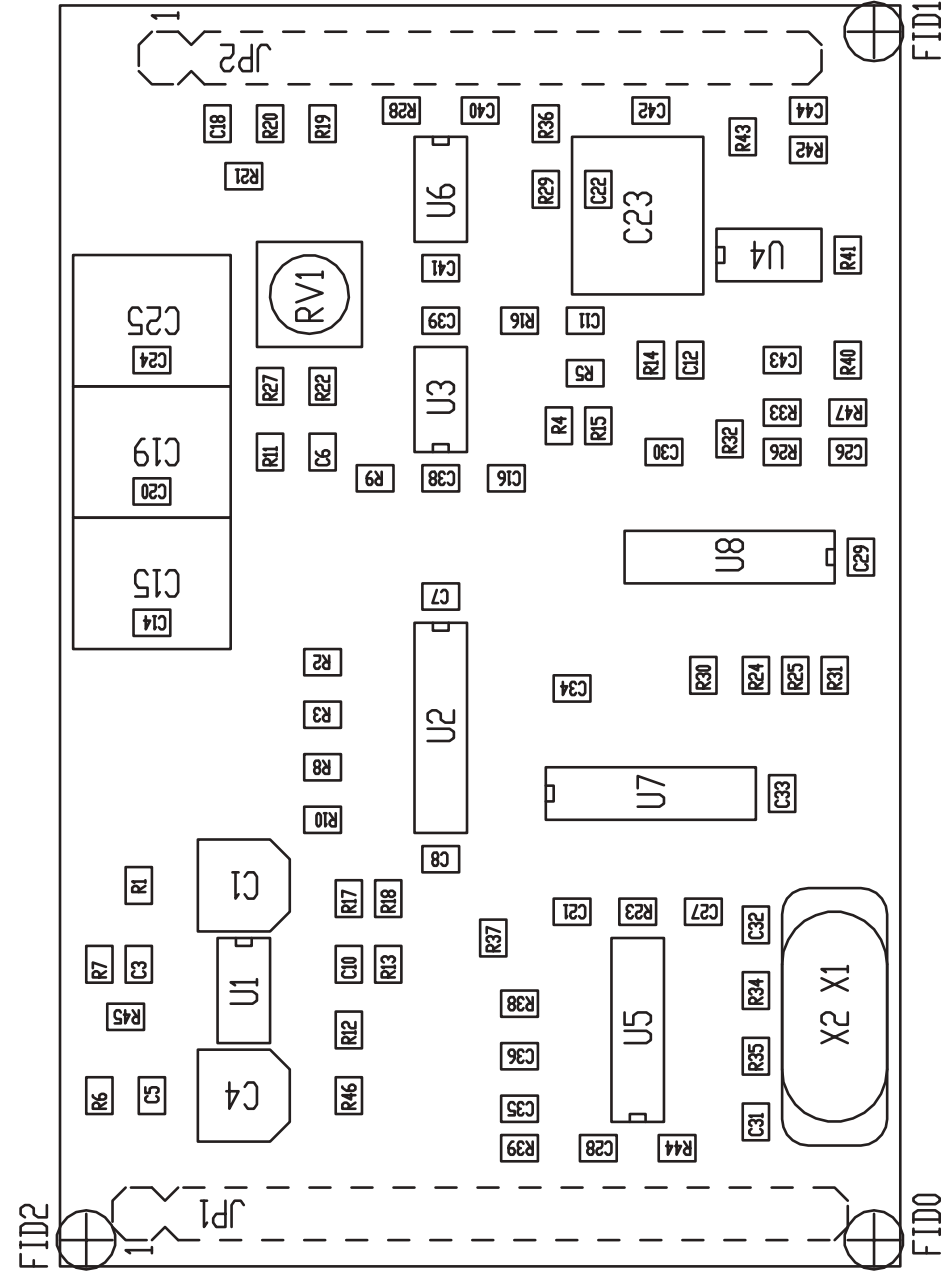
Description: TEX Main Board, VCO section			
Designer: A. Tommasi	Size: A3	Page: 3 of 3	
Part No.: SLMA0383R02V01	Rev. 1.1	Date: 02/02/2022	

SLMA0383R02V01

TEX Main Board Revised: 02/02/2022
 SLMA0383R02V01 Revision: 1.1
 A. Tommasi

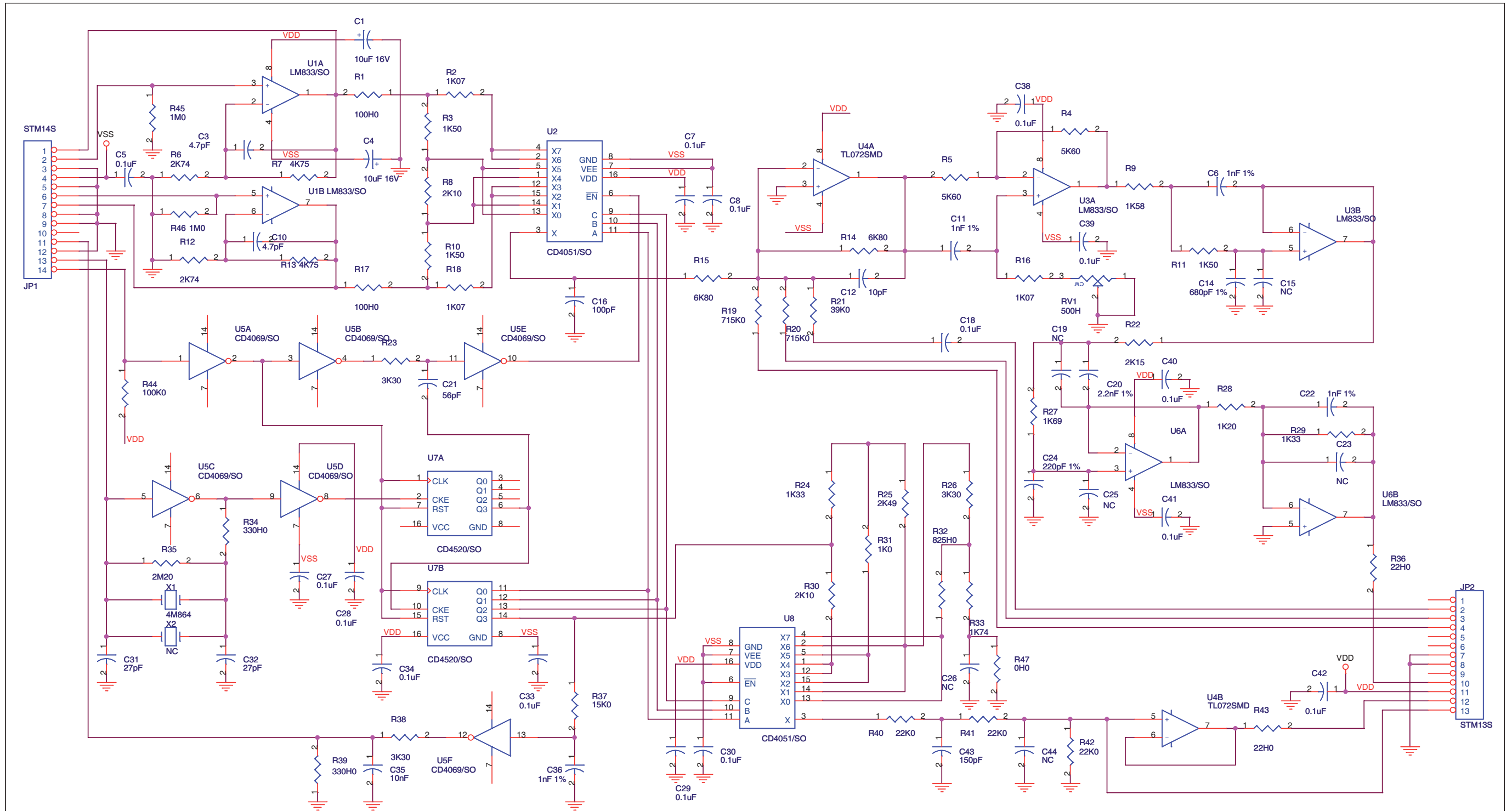
Item	Quantity	Reference	Part	Description
1	4	CN1, CN4, CN5, CN6	BNC_IS	BNC conn. 10x10 PCB
2	2	CN2, CN3	XLRFCSD	XLR fem. PCB conn.
3	1	CN7	NC	SMB pcb conn.
4	1	CN8	SMB_CS	SMB pcb conn.
5	1	COD1	SLCTC30V03	Stereo coder CTC30
6	1	CS1	CSMA0383R2	PCB
7	36	C1, C2, C3, C5, C17, C19, C22, C26, C31, C39, C40, C45, C47, C67, C77, C80, C82, C83, C84, C85, C86, C88, C89, C93, C95, C98, C102, C103, C106, C108, C111, C113, C118, C127, C128, C131	0.1uF	0805 SMD capacitor
8	4	C4, C33, C57, C143	47pF	0805 SMD capacitor
9	3	C6, C34, C53	15pF	0805 SMD capacitor
10	4	C7, C10, C32, C38	100uF/16V	SMD electr. cap. 6.3mm
11	18	C8, C9, C12, C13, C15, C16, C41, C42, C43, C44, C54, C55, C62, C63, C73, C74, C150, C151	27pF	0805 SMD capacitor
12	30	C11, C18, C20, C21, C30, C35, C36, C37, C51, C58, C64, C65, C66, C68, C72, C75, C81, C90, C91, C92, C99, C104, C107, C114, C130, C132, C134, C135, C137, C148	10uF/16V	Cond. Elett. SMD d. 4mm
13	2	C14, C46	68pF	0805 SMD capacitor
14	2	C23, C25	1nF 2%	0805 SMD capacitor COG
15	2	C24, C28	1.5nF 2%	0805 SMD capacitor COG
16	2	C27, C29	NC	Ceramic comp. dia. 7mm
17	3	C48, C61, C76	1uF	0805 SMD capacitor
18	3	C49, C50, C126	470nF	0805 SMD capacitor
19	8	C52, C60, C69, C105, C129, C133, C136, C139	10nF	0805 SMD capacitor
20	6	C56, C59, C94, C96, C101, C146	NC	0805 SMD capacitor
21	4	C70, C71, C78, C79	220uF/16V	SMD electr. cap. 6.3mm
22	1	C87	10uF/35V	SMD electr. cap. 5mm
23	2	C97, C100	470nF	1206 SMD capacitor
24	1	C109	10uF/16V	SMD tantalium cap. size C
25	1	C110	4.7nF	0805 SMD capacitor
26	2	C112, C122	NC	1206 SMD capacitor
27	8	C116, C117, C119, C123, C138, C144, C145, C149	1nF	0805 SMD capacitor
28	2	C120, C121	47uF/16V	SMD tantalium cap. size D
29	3	C124, C141, C147	22pF	0805 SMD capacitor
30	1	C125	10pF	0805 SMD capacitor
31	1	C140	33pF	0805 SMD capacitor
32	1	C142	470pF	0805 SMD capacitor
33	2	C152, C153	2.2pF	0805 SMD capacitor
34	2	C154, C155	6-30pF	Var. comp. Murata TZB4A
35	1	DL1	LED-G0805	SMD 0805 green led
36	1	DZ1	LM4040-10	SMD SOT23 precision Zener
37	9	D1, D2, D3, D4, D5, D6, D8, D10, D12	BAV99	Dual diode SMD SOT23
38	3	D7, D9, D11	5V1	MINIMELF SMD Zener Diode
39	1	D13	BAV70	Dual diode SMD SOT23
40	2	D14, D15	BAS70-04	Dual diode SMD SOT23
41	8	D16, D17, D18, D19, D28, D29, D30, D31	NC	Dual diode Varicap SMD SOT23
42	8	D20, D21, D22, D23, D32, D33, D34, D35	BB172	Varicap diode SOD323
43	8	D24, D25, D26, D27, D36, D37, D38, D39	NC	Varicap diode SOD323
44	9	FIX1, FIX2, FIX3, FIX4, FIX5, FIX6, FIX7, FIX8, FIX9	FIX35	Fixing hole 3.5mm
45	1	JP1	STF14S	Female strip 14 pin
46	1	JP2	STF13S	Female strip 13 pin
47	1	JP3	STM03S	Male strip 3 pin
48	1	JP4	CN16PD	16 way pcb conn. with holder
49	2	JP5, JP6	STF10ST	Male strip 10 pin turned
50	6	J1, J2, J3, J4, J5, J6	JSMDC	2 pad SMD jumper half closed
51	1	J7	JSMDC	pad SMD jumper
52	11	L1, L2, L3, L4, L5, L6, L7, L8, L9, L10, L11	2.2uH	SMD inductor 3225 (1210)
53	1	L12	LCAVO	Induttanza a cavo RG
54	2	L13, L14	15uH	SMD inductor 3225 (1210) shielded
55	1	L15	220nH	SMD inductor 3225 (1210)
56	2	OPT1, OPT2	TLP181	Optocoupler SMD SO6
57	4	Q1, Q2, Q4, Q5	BC857	PNP trans. SOT23
58	4	Q3, Q6, Q12, Q13	BC847	NPN trans. SOT23
59	1	Q7	2N7002	Trans. FET SOT23
60	4	Q8, Q9, Q14, Q15	MMBFJ310	Trans. FET SOT23
61	2	Q10, Q11	BCR135	Digital NPN trans. SOT23
62	4	Q16, Q17, Q18, Q19	NC	Trans. FET SOT23
63	2	RV1, RV11	10K	Trimmer Rg V 3269W SMD
64	5	RV2, RV4, RV5, RV6, RV7	10K	Trimmer Rg V 3296W
65	1	RV3	50K	Trimmer Rg V 3296W
66	2	RV8, RV9	5K	Trimmer Rg V 3269W SMD
67	1	RV10	5K	Trimmer Rg V 3296W
68	1	RV12	NC	Trimmer SMD

Item	Quantity	Reference	Part	Description
69	8	R1, R33, R55, R63, R73, R102, R105, R132	100H0	0805 SMD res.
70	5	R2, R13, R20, R28, R142	10H0	0805 SMD res.
71	5	R3, R14, R21, R25, R40	30K9	0805 SMD res.
72	6	R4, R5, R26, R27, R42, R43	2K49	0805 SMD res.
73	2	R7, R23	604H0	0805 SMD res.
74	28	R8, R9, R16, R17, R18, R19, R24, R32, R35, R36, R37, R47, R53, R54, R58, R59, R70, R75, R76, R79, R83, R84, R92, R106, R108, R121, R159, R164	10K0	0805 SMD res.
75	4	R10, R46, R72, R85	1M0	0805 SMD res.
76	2	R12, R29	48K7	0805 SMD res.
77	5	R15, R22, R147, R152, R153	330H0	0805 SMD res.
78	8	R30, R31, R51, R52, R66, R69, R89, R141	100K0	0805 SMD res.
79	1	R34	51H0	0805 SMD res.
80	3	R38, R60, R77	12K0	0805 SMD res.
81	4	R39, R61, R78, R134	2K20	0805 SMD res.
82	11	R41, R56, R62, R65, R71, R93, R96, R98, R99, R129, R130	1K0	0805 SMD res.
83	4	R44, R45, R68, R80	15K0	0805 SMD res.
84	1	R48	20K0	0805 SMD res.
85	1	R49	28K0	0805 SMD res.
86	11	R50, R107, R112, R114, R115, R117, R158, R160, R161, R162, R163	NC	0805 SMD res.
87	2	R57, R67	37K4	0805 SMD res.
88	1	R64	4K99	0805 SMD res.
89	8	R74, R100, R101, R109, R118, R119, R120, R135	4K70	0805 SMD res.
90	1	R81	47H0	0805 SMD res.
91	1	R82	576H0	0805 SMD res.
92	2	R86, R131	0H0	0805 SMD res.
93	1	R87	560H0	0805 SMD res.
94	1	R88	220H0	0805 SMD res.
95	2	R90, R149	330K0	0805 SMD res.
96	3	R91, R97, R125	470K0	0805 SMD res.
97	2	R94, R95	47K0	0805 SMD res.
98	1	R103	3K30	0805 SMD res.
99	1	R104	270K0	0805 SMD res.
100	4	R110, R111, R136, R156	22H0	0805 SMD res.
101	2	R113, R150	150H0	0805 SMD res.
102	1	R116	249H0	0805 SMD res.
103	5	R122, R123, R124, R127, R133	6K80	0805 SMD res.
104	4	R137, R138, R139, R140	1K20	0805 SMD res.
105	1	R143	68H0	0805 SMD res.
106	1	R144	1H0	0805 SMD res.
107	2	R145, R146	8H20	0805 SMD res.
108	1	R148	120H0	0805 SMD res.
109	1	R151	56H0	0805 SMD res.
110	1	R154	82H0	0805 SMD res.
111	2	R155, R157	27H0	0805 SMD res.
112	1	SW1	SWDIP4	4 ways switch slide dip
113	2	SW2, SW3	SWDIP2	2 ways switch slide dip
114	1	TCX1	10MHz	TCXO SMD 5x3.2mm
115	13	TP1, TP2, TP3, TP4, TP5, TP6, TP7, TP8, TP9, TP10, TP11, TP12, TP13	NC	Test point
116	5	U1, U2, U3, U5, U6	TL072SMD	Dual Op. SMD SO8
117	1	U4	CD4053S5SMD	Analog Switch SMD SO16
118	2	U8, U9	LM358SMD	Dual Op. SMD SO8
119	2	U10, U11	LM393SMD	Dual Comp. SMD SO8
120	2	U12, U17	NC7S86	XOR Port
121	1	U13	LM7815	Voltage reg. TO220
122	1	U14	NC	Voltage reg. SMD D2PAK
123	1	U15	MB15E03	Integrated PLL
124	1	U16	TLC272	Dual Op. SMD SO8
125	1	U18	MC78LC33	SOT23-5 voltage regulator"
126	1	VCO1	NC	VCO SKY 8 pin FVC7MD
127	1	Y1	SLAU0469R01V02	Audio stereo filter
128	1	Y2	ERA35M	Hybrid MAR/ERA
129	1	Y3	MAR6SM	Hybrid MAR/ERA



NOME PROGETTO: PTX-LCD	NOME PARTE: CODER CARD
AUTORE: A. TOMMASI	DATA: 08/04/2004
ARCHIVIAZIONE ELETTRONICA: \\VRUT1	REVISIONE: 1.0
MATERIALE:	SCALA: 2:1
TRATTAMENTO:	SIZE: A4
PROFILO:	PAGINA: 1 DI 1
STATO: ESECUTIVO	CODICE DISEGNO: SLCTC30V03

SLCTC30V03



CS1
CSCTC30V03

Description: Coder Card		
Designer: A. Tommasi	Size: A3	Page: 1 of 1
Part No.: SLCTC30V03	Rev. 1.2	Date: 26/01/2015

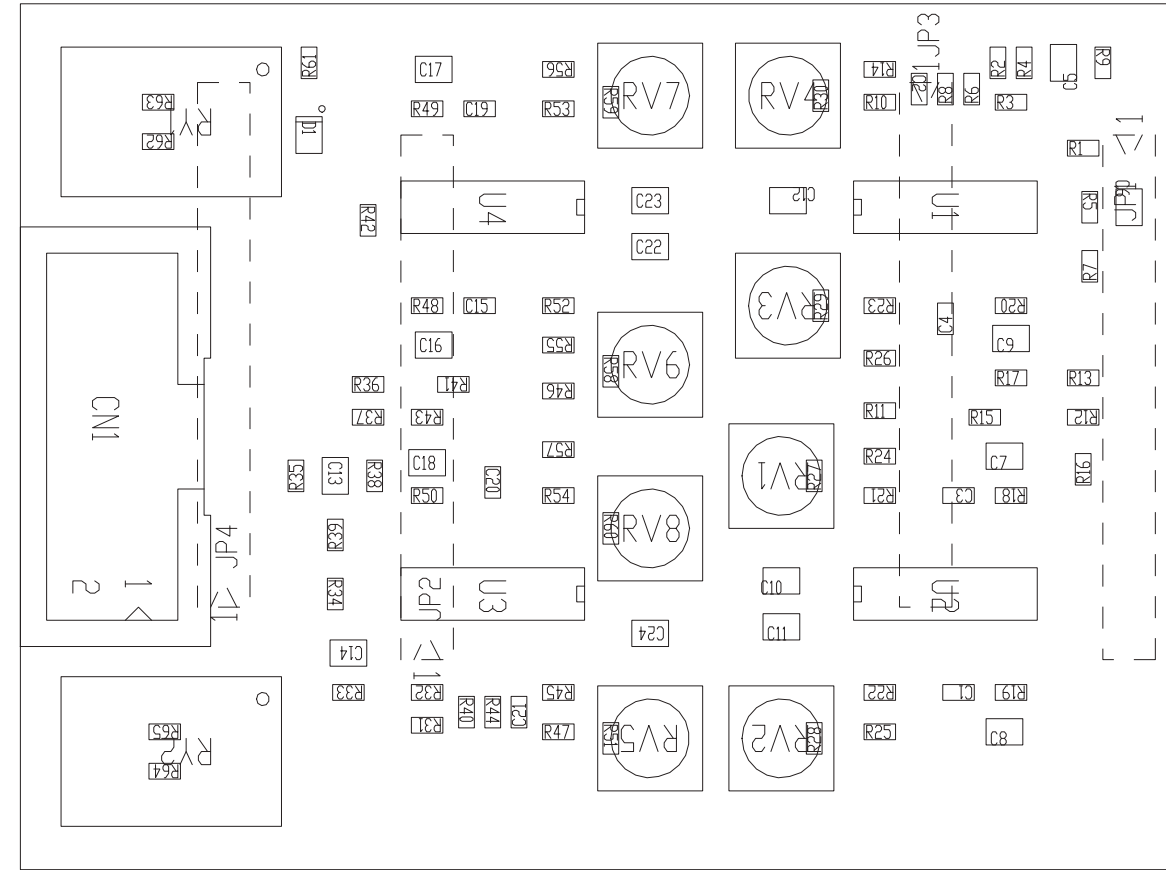


SLCTC30V03

Coder Card Revised: 26/01/2015
 SLCTC30V03 Revision: 1.2
 A. Tommasi

Item	Q.ty	Reference	Part	Description
1	1	CS1	CSCCTC30V03	Circuito stampato
2	2	C1, C4	10uF 16V	Cond. Elett. SMD d. 4mm
3	2	C3, C10	4.7pF	Cond. SMD 0805
4	15	C5, C7, C8, C18, C27, C28, C29, C30, C33, C34, C38, C39, C40, C41, C42	0.1uF	Cond. SMD 0805
5	4	C6, C11, C22, C36	1nF 1%	Cond. SMD 0805 COG
6	1	C12	10pF	Cond. SMD 0805
7	1	C14	680pF 1%	Cond. SMD 0805 COG
8	4	C15, C19, C23, C25	NC	Cond. Poliestere p 5mm (5*7mm)
9	1	C16	100pF	Cond. SMD 0805
10	1	C20	2.2nF 1%	Cond. SMD 0805 COG
11	1	C21	56pF	Cond. SMD 0805
12	1	C24	220pF 1%	Cond. SMD 0805 COG
13	1	C26	NC	Cond. SMD 0805
14	2	C31, C32	27pF	Cond. SMD 0805
15	1	C35	10nF	Cond. SMD 0805
16	1	C43	150pF	Cond. SMD 0805
17	1	C44	NC	Cond. SMD 0805
18	1	JP1	STM14S	Strip maschio 14 pin
19	1	JP2	STM13S	Strip maschio 13 pin
20	1	RV1	500H	Trimmer SMD
21	2	R1, R17	100H0	Res. SMD 0805
22	3	R2, R16, R18	1K07	Res. SMD 0805
23	3	R3, R10, R11	1K50	Res. SMD 0805
24	2	R4, R5	5K60	Res. SMD 0805
25	2	R6, R12	2K74	Res. SMD 0805
26	2	R7, R13	4K75	Res. SMD 0805
27	2	R8, R30	2K10	Res. SMD 0805
28	1	R9	1K58	Res. SMD 0805
29	2	R14, R15	6K80	Res. SMD 0805
30	2	R19, R20	715K0	Res. SMD 0805
31	1	R21	39K0	Res. SMD 0805
32	1	R22	2K15	Res. SMD 0805
33	3	R23, R26, R38	3K30	Res. SMD 0805
34	2	R24, R29	1K33	Res. SMD 0805
35	1	R25	2K49	Res. SMD 0805
36	1	R27	1K69	Res. SMD 0805
37	1	R28	1K20	Res. SMD 0805
38	1	R31	1K0	Res. SMD 0805
39	1	R32	825H0	Res. SMD 0805
40	1	R33	1K74	Res. SMD 0805
41	2	R34, R39	330H0	Res. SMD 0805
42	1	R35	2M20	Res. SMD 0805
43	2	R36, R43	22H0	Res. SMD 0805
44	1	R37	15K0	Res. SMD 0805
45	3	R40, R41, R42	22K0	Res. SMD 0805
46	1	R44	100K0	Res. SMD 0805
47	2	R45, R46	1M0	Res. SMD 0805
48	1	R47	0H0	Res. SMD 0805
49	3	U1, U3, U6	LM833/SO	Dual Op. SMD SO8
50	2	U2, U8	CD4051/SO	Analog Switch SMD SO16
51	1	U4	TL072SMD	Dual Op. SMD SO8
52	1	U5	CD4069/SO	Hex inverter SO14
53	1	U7	CD4520/SO	Dual binary counter
54	1	X1	4M864	Quarzo SMD HC49SMD
55	1	X2	NC	Quarzo HC18

SLAU0469R01V02



PRODUCT NAME : TEX-LCD

DESIGNER : FRANCESCHI A.

ARCHIVING : "RVRUT" SERVER, "RILASCIATI" FOLDER

PART NAME : AUDIO FILTER 15KHZ

DATE : 03/05/17

REVISION : 1.0

SCALE : 2:1

SIZE : A4

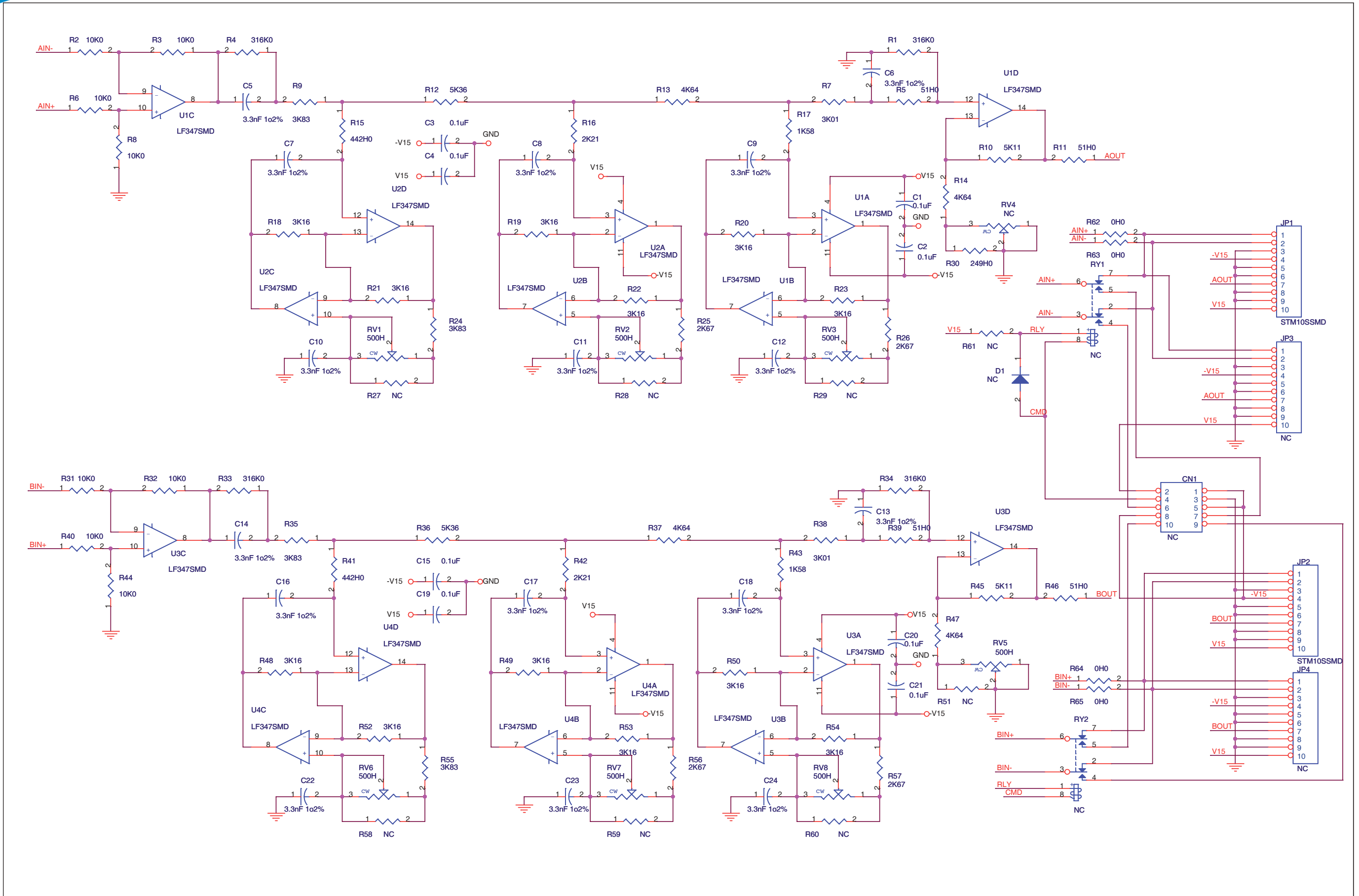
PAGE : 1

DI : 1

DOCUMENT CODE : SLAU0469R01V**

PROJECT CODE : 057

SLAU0469R01V02



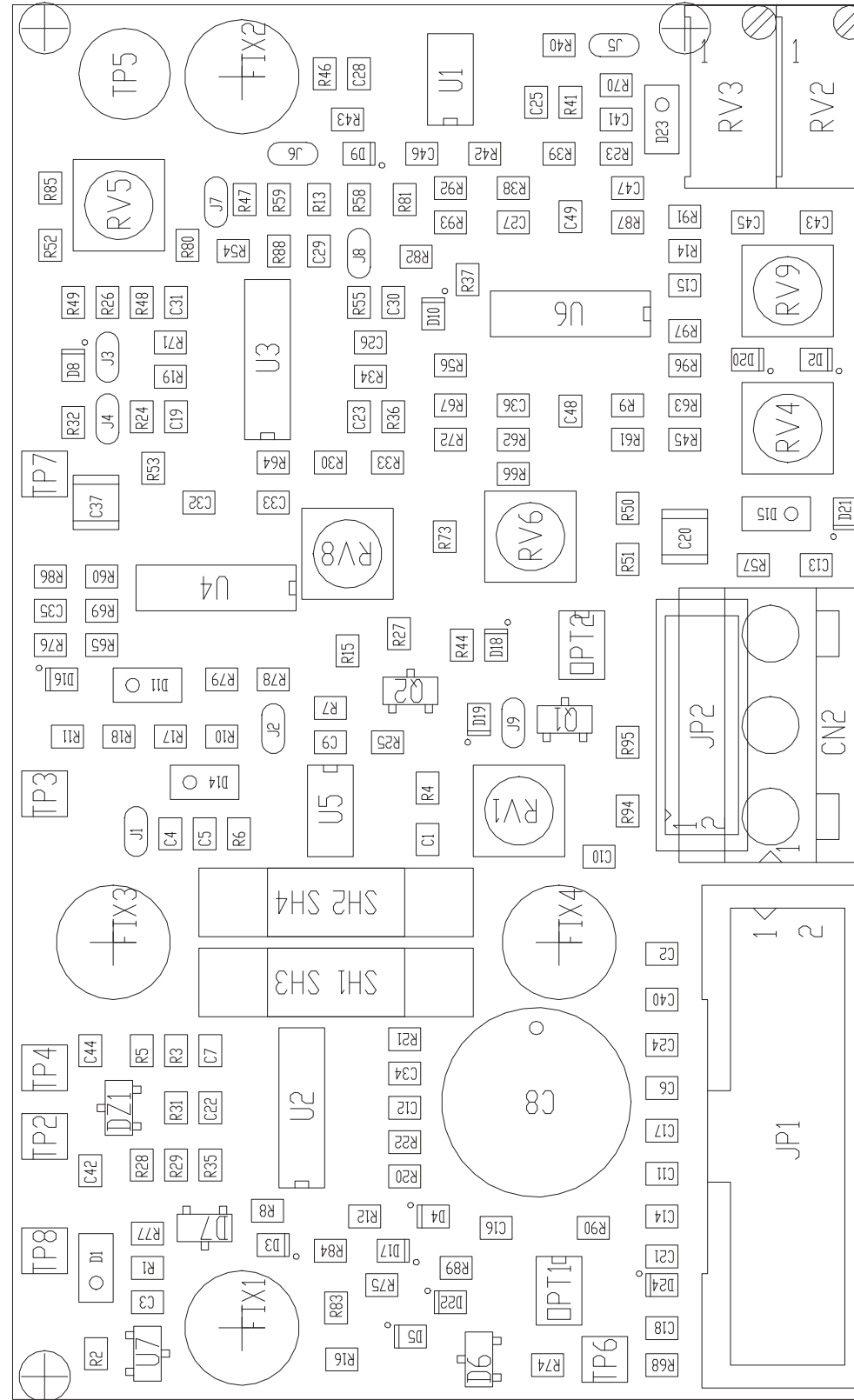
CS1
CSAU0469R1

Description: Audio Filter 15KHz PTX-LCD, BLUES, TEX w/out AES-EBU			
Designer: A. Tommasi	Size: A3	Page: 1 of 1	
Part No.: SLAU0469R01V02	Rev. 1.0	Date: 02/05/2017	

SLAU0469R01V02

Audio Filter 15KHz PTX-LCD, BLUES, TEX w/out AES-EBU Revised: 02/05/2017
 SLAU0469R01V02 Revision: 1.0
 A. Tommasi

Item	Quantity	Reference	Part	Description
1	1	CN1	NC	Conn. 10 poli Flat cs con alette
2	1	CS1	CSAU0469R1	Circuito stampato
3	8	C1, C2, C3, C4, C15, C19, C20, C21	0.1uF	Cond. SMD 0603
4	16	C5, C6, C7, C8, C9, C10, C11, C12, C13, C14, C16, C17, C18, C22, C23, C24	3.3nF 1o2%	Cond. SMD 0805 COG
5	1	D1	NC	SOD323 SMD Diode
6	2	JP1, JP2	STM10SSMD	Male strip 10 pin SMD
7	2	JP3, JP4	NC	Male strip 10 pin SMD
8	7	RV1, RV2, RV3, RV5, RV6, RV7, RV8	500H	Trimmer SMD V 3314
9	1	RV4	NC	Trimmer SMD V 3314
10	2	RY1, RY2	NC	Rele' FTR-B3G
11	4	R1, R4, R33, R34	316K0	Res. SMD 0603
12	8	R2, R3, R6, R8, R31, R32, R40, R44	10K0	Res. SMD 0603
13	4	R5, R11, R39, R46	51H0	Res. SMD 0603
14	2	R7, R38	3K01	Res. SMD 0603
15	4	R9, R24, R35, R55	3K83	Res. SMD 0603
16	2	R10, R45	5K11	Res. SMD 0603
17	2	R12, R36	5K36	Res. SMD 0603
18	4	R13, R14, R37, R47	4K64	Res. SMD 0603
19	2	R15, R41	442H0	Res. SMD 0603
20	2	R16, R42	2K21	Res. SMD 0603
21	2	R17, R43	1K58	Res. SMD 0603
22	12	R18, R19, R20, R21, R22, R23, R48, R49, R50, R52, R53, R54	3K16	Res. SMD 0603
23	4	R25, R26, R56, R57	2K67	Res. SMD 0603
24	8	R27, R28, R29, R51, R58, R59, R60, R61	NC	Res. SMD 0603
25	1	R30	249H0	Res. SMD 0603
26	4	R62, R63, R64, R65	0H0	Res. SMD 0603
27	4	U1, U2, U3, U4	LF347SMD	Quad Op. SMD SO14



PRODUCT NAME : TEX

DESIGNER : FRANCESCHI A.

ARCHIVING : "RVUT" SERVER, "RILASCIATI" FOLDER

PART NAME : CNTMOS PA RF R.07

DATE : 18/05/16

REVISION : 1.0

SCALE : 1:1

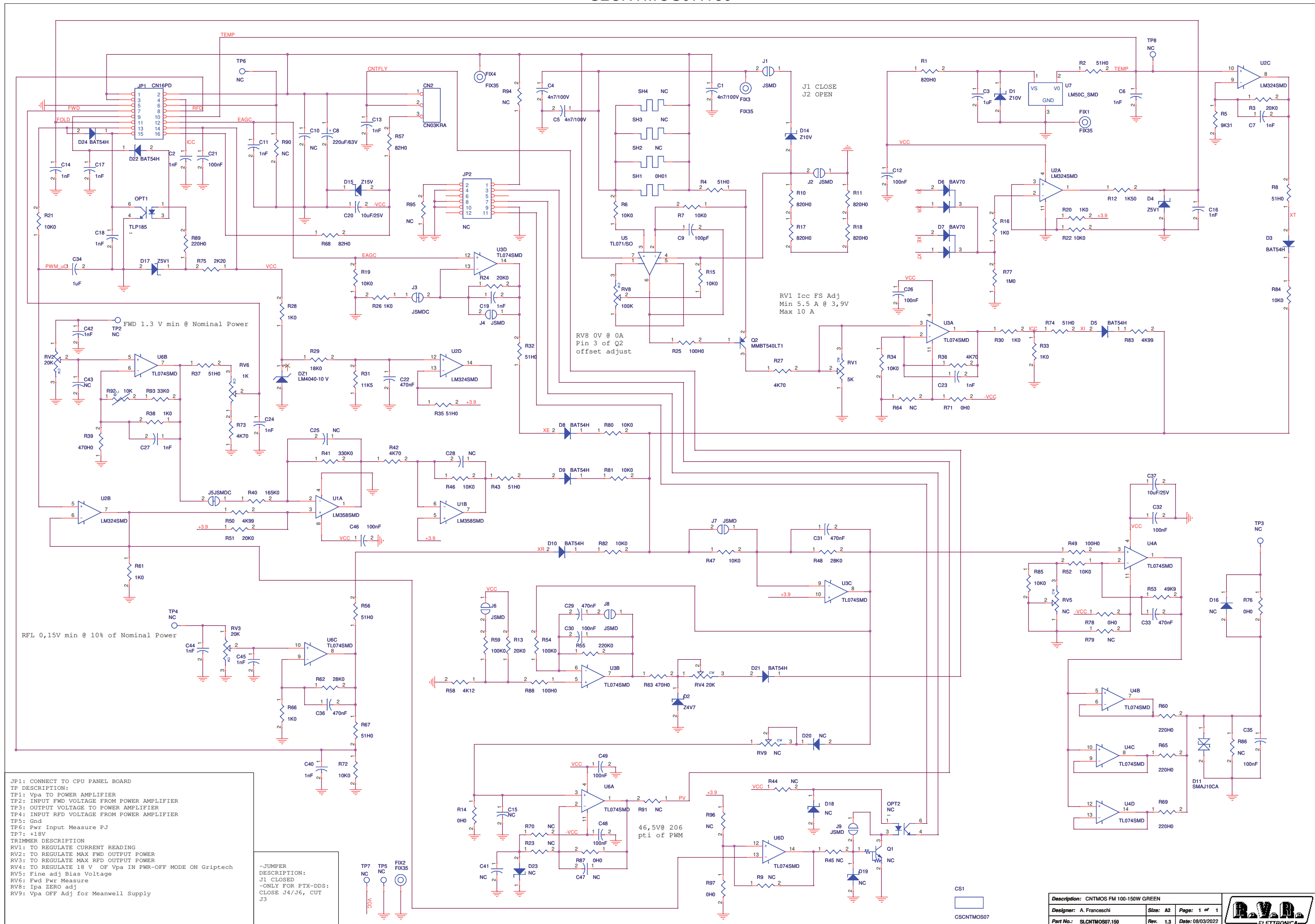
SIZE : A4

PAGE : 1

DI : 1

DOCUMENT CODE : SLCNTMOS07.**

SLCNTMOS07.150



JP1: CONNECT TO CPU PANEL BOARD
 TP DESCRIPTION:
 TP1: Vpa TO POWER AMPLIFIER
 TP2: INPUT FWD VOLTAGE FROM POWER AMPLIFIER
 TP3: OUTPUT VOLTAGE TO POWER AMPLIFIER
 TP4: INPUT RFD VOLTAGE FROM POWER AMPLIFIER
 TP5: Gnd
 TP6: Pwr Input Measure PJ
 TP7: +18V
 TRIMMER DESCRIPTION
 RV1: TO REGULATE CURRENT READING
 RV2: TO REGULATE MAX FWD OUTPUT POWER
 RV3: TO REGULATE MAX RFD OUTPUT POWER
 RV4: TO REGULATE 18 V OF Vpa IN PWR-OFF MODE ON Griptech
 RV5: Fine adj Bias Voltage
 RV6: Fwd Pwr Measure
 RV8: Ipa ZERO adj
 RV9: Vpa OFF Adj for Meanwell Supply

-JUMPER DESCRIPTION:
 J1 CLOSED
 -ONLY FOR FIX-DDS:
 CLOSE J4/J6, CUT J3

Description: CNTMOS FM 100-150W GREEN		
Designer: A. Franceschi	Size: A2	Page: 1 of 1
Part No.: SLCNTMOS07.150	Rev: 1.3	Date: 08/03/2022



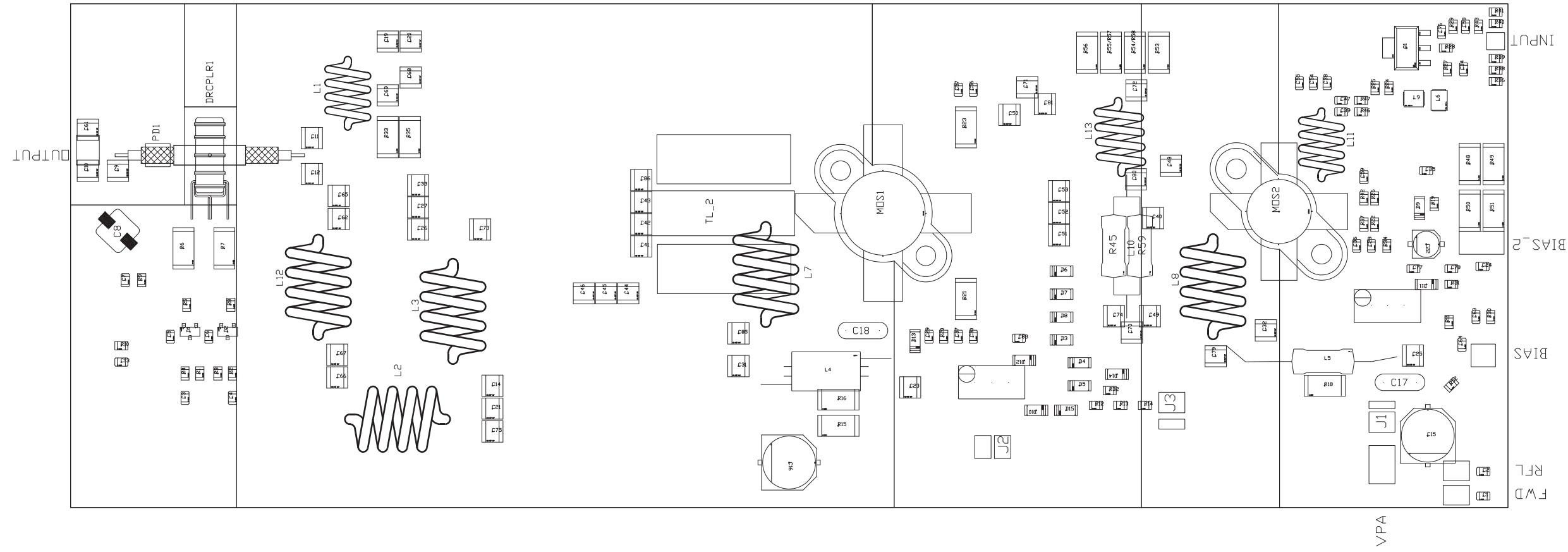
SLCNTMOS07.150

CNTMOS FM 100-150W GREEN Revised: Tuesday, March 08, 2022
 SLCNTMOS07.150 Revision: 1.3
 A. Franceschi

Item	Quantity	Reference	Part	Description
1	1	CN2	CN03KRA	Conn. tipo KRA a 3 poli
2	1	CS1	CSCNTMOS07	Circuito stampato
3	3	C1, C4, C5	4n7/100V	Cond. SMD 0805
4	17	C2, C6, C7, C11, C13, C14, C16, C17, C18, C19, C23, C24, C27, C40, C42, C44, C45	1nF	Cond. SMD 0805
5	2	C3, C34	1uF	Cond. SMD 0805
6	1	C8	220uF/63V	Cond. Elettr. Dia 10 P5.08
7	1	C9	100pF	Cond. SMD 0805
8	7	C10, C15, C25, C28, C41, C43, C47	NC	Cond. SMD 0805
9	9	C12, C21, C26, C30, C32, C35, C46, C48, C49	100nF	Cond. SMD 0805
10	2	C20, C37	10uF/25V	Cond. SMD 1210
11	5	C22, C29, C31, C33, C36	470nF	Cond. SMD 0805
12	1	DZ1	LM4040-10 V	Diodi Zener SMD SOT23
13	2	D1, D14	Z10V	MINIMELF SMD Zener Diode
14	1	D2	Z4V7	SOD323 Zener Diode
15	8	D3, D5, D8, D9, D10, D21, D22, D24	BAT54H	SOD323 SMD Diode
16	2	D4, D17	Z5V1	SOD323 Zener Diode
17	2	D6, D7	BAV70	Doppio Diodo SMD SOT23
18	1	D11	SMAJ10CA	Transzorb SMA
19	1	D15	Z15V	MINIMELF SMD Zener Diode
20	2	D16, D20	NC	SOD323 SMD Diode
21	2	D18, D19	NC	SOD323 Zener Diode
22	1	D23	NC	MINIMELF SMD Zener Diode
23	4	FIX1, FIX2, FIX3, FIX4	FIX35	Foro fissaggio 3.5mm
24	1	JP1	CN16PD	Conn. M.C.S. Dritto 16P alette.
25	1	JP2	NC	Conn. 12 poli DF11 12pin p. 2mm
26	7	J1, J2, J4, J6, J7, J8, J9	J5MD	Pad SMD a saldare
27	2	J3, J5	J5MDC	Pad SMD a saldare chiuso
28	1	OPT1	TLP185	Optocoupler SMD SO6
29	1	OPT2	NC	Optocoupler SMD SO6
30	1	Q1	NC	Trans./Res. NPN SOT23
31	1	Q2	MMBT540LT1	Trans. PNP SOT23
32	1	RV1	5K	Trimmer SMD
33	2	RV2, RV3	20K	Trimmer Rg V 3296W
34	1	RV4	20K	Trimmer SMD
35	2	RV5, RV9	NC	Trimmer SMD
36	1	RV6	1K	Trimmer SMD
37	1	RV8	100K	Trimmer SMD
38	5	R1, R10, R11, R17, R18	820H0	Res. SMD 0805 1%
39	10	R2, R4, R8, R32, R35, R37, R43, R56, R67, R74	51H0	Res. SMD 0805 1%
40	4	R3, R13, R24, R51	20K0	Res. SMD 0805 1%
41	1	R5	9K31	Res. SMD 0805 1%
42	16	R6, R7, R15, R19, R21, R22, R34, R46, R47, R52, R72, R80, R81, R82, R84, R85	10K0	Res. SMD 0805 1%
43	13	R9, R23, R44, R45, R64, R70, R79, R86, R90, R91, R94, R95, R96	NC	Res. SMD 0805 1%
44	1	R12	1K50	Res. SMD 0805 1%
45	6	R14, R71, R76, R78, R87, R97	0H0	Res. SMD 0805 1%
46	9	R16, R20, R26, R28, R30, R33, R38, R61, R66	1K0	Res. SMD 0805 1%
47	3	R25, R49, R88	100H0	Res. SMD 0805 1%
48	4	R27, R36, R42, R73	4K70	Res. SMD 0805 1%
49	1	R29	18K0	Res. SMD 0805 1%
50	1	R31	11K5	Res. SMD 0805 1%
51	2	R39, R63	470H0	Res. SMD 0805 1%
52	1	R40	165K0	Res. SMD 0805 1%
53	1	R41	330K0	Res. SMD 0805 1%
54	2	R48, R62	28K0	Res. SMD 0805 1%
55	2	R50, R83	4K99	Res. SMD 0805 1%
56	1	R53	49K9	Res. SMD 0805 1%
57	2	R54, R59	100K0	Res. SMD 0805 1%
58	1	R55	220K0	Res. SMD 0805 1%
59	2	R57, R68	82H0	Res. SMD 0805 1%
60	1	R58	4K12	Res. SMD 0805 1%
61	4	R60, R65, R69, R89	220H0	Res. SMD 0805 1%
62	1	R75	2K20	Res. SMD 0805 1%
63	1	R77	1M0	Res. SMD 0805 1%
64	1	R92	10K	Res. NTC SMD 0805
65	1	R93	33K0	Res. SMD 0805 1%
66	1	SH1	OH01	Shunt passo 15.2mm fori 2mm

Item	Quantity	Reference	Part	Description
67	1	SH2	NC	Shunt passo 15.2mm fori 2mm
68	2	SH3, SH4	NC	Shunt SMD 2512
69	6	TP2, TP3, TP4, TP6, TP7, TP8	NC	Foro dia. 1mm
70	1	TP5	NC	Foro dia. 2mm
71	1	U1	LM358SMD	Dual Op. SMD SO8
72	1	U2	LM324SMD	Quad Op. SMD SO14
73	3	U3, U4, U6	TL074SMD	Quad Op. SMD SO14
74	1	U5	TL071/SO	Single Op. SMD SO8
75	1	U7	LM50C_SMD	Temperature sensor

SLPA150TEXR2



PRODUCT NAME : PTX-LCD; TEX-LCD

DESIGNER : M. UCELLI, E. ARIATTI

ARCHIVING : "RVUT" SERVER, "RILASCIATI" FOLDER

PROJECT CODE : <>

PART NAME : PA 100/150W - MOS MA-COM

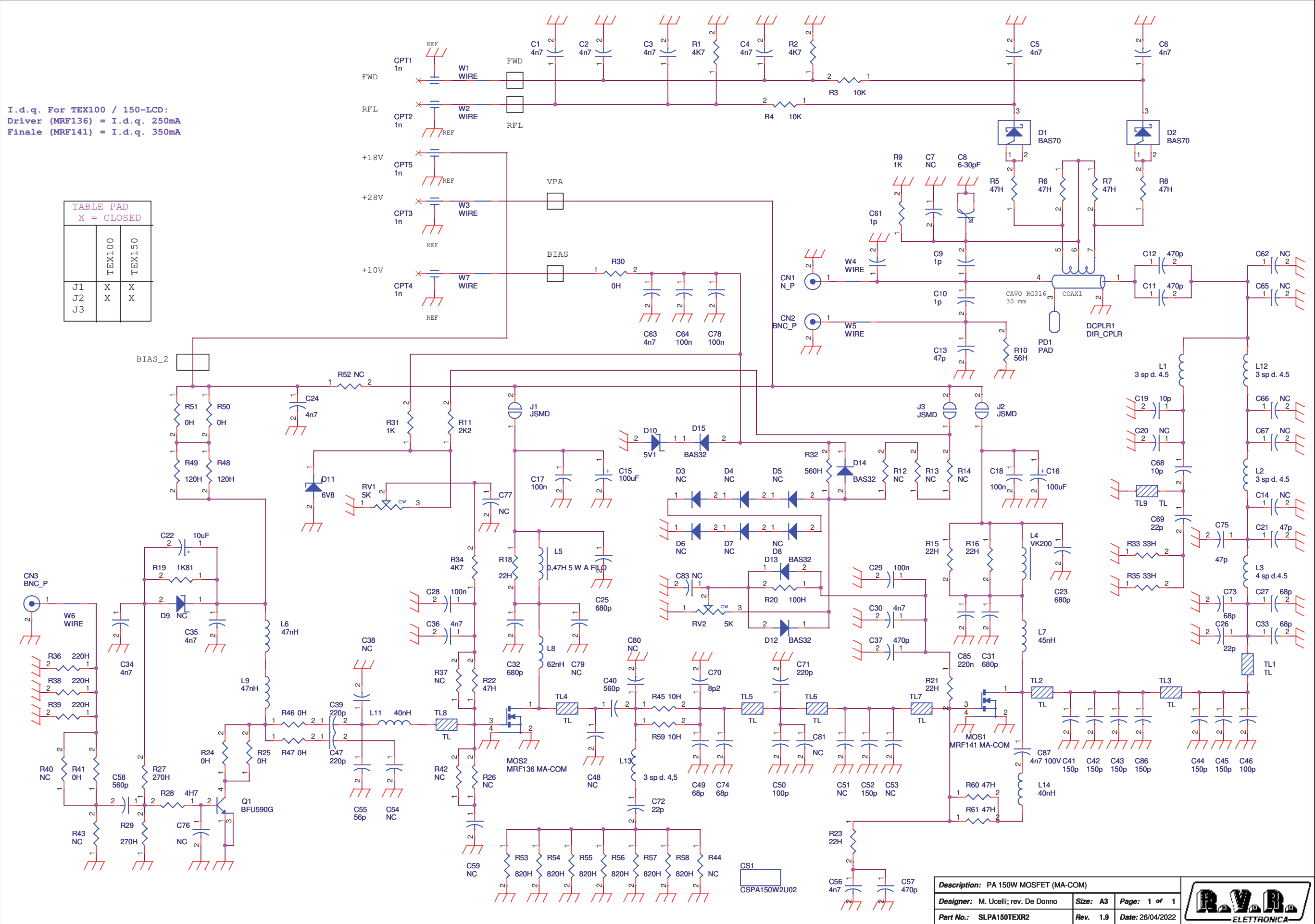
DATE : 29/09/21 REVISION : 1.2 SCALE : 1:1 SIZE : A4 PAGE : 1 DI 1

DOCUMENT CODE : SLPA150xxxRx

SLPA150TEXR2

I.d.q. For TEX100 / 150-LCD:
 Driver (MRF136) = I.d.q. 250mA
 Finale (MRF141) = I.d.q. 350mA

TABLE PAD		
X = CLOSED		
	TEX100	TEX150
J1	X	X
J2	X	X
J3	X	X



Description: PA 150W MOSFET (MA-COM)		
Designer: M. Ucelli; rev. De Donno	Size: A3	Page: 1 of 1
Part No.: SLPA150TEXR2	Rev.: 1.9	Date: 26/04/2022

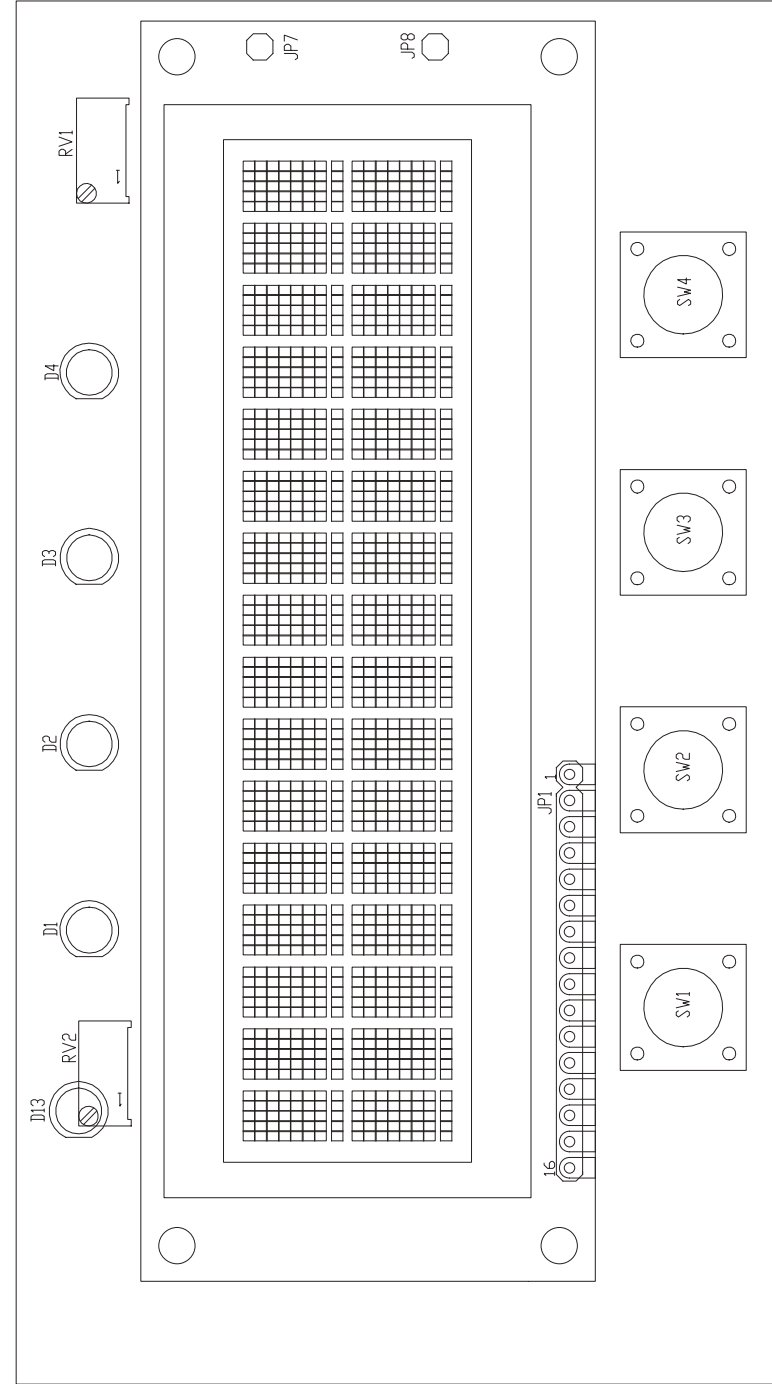
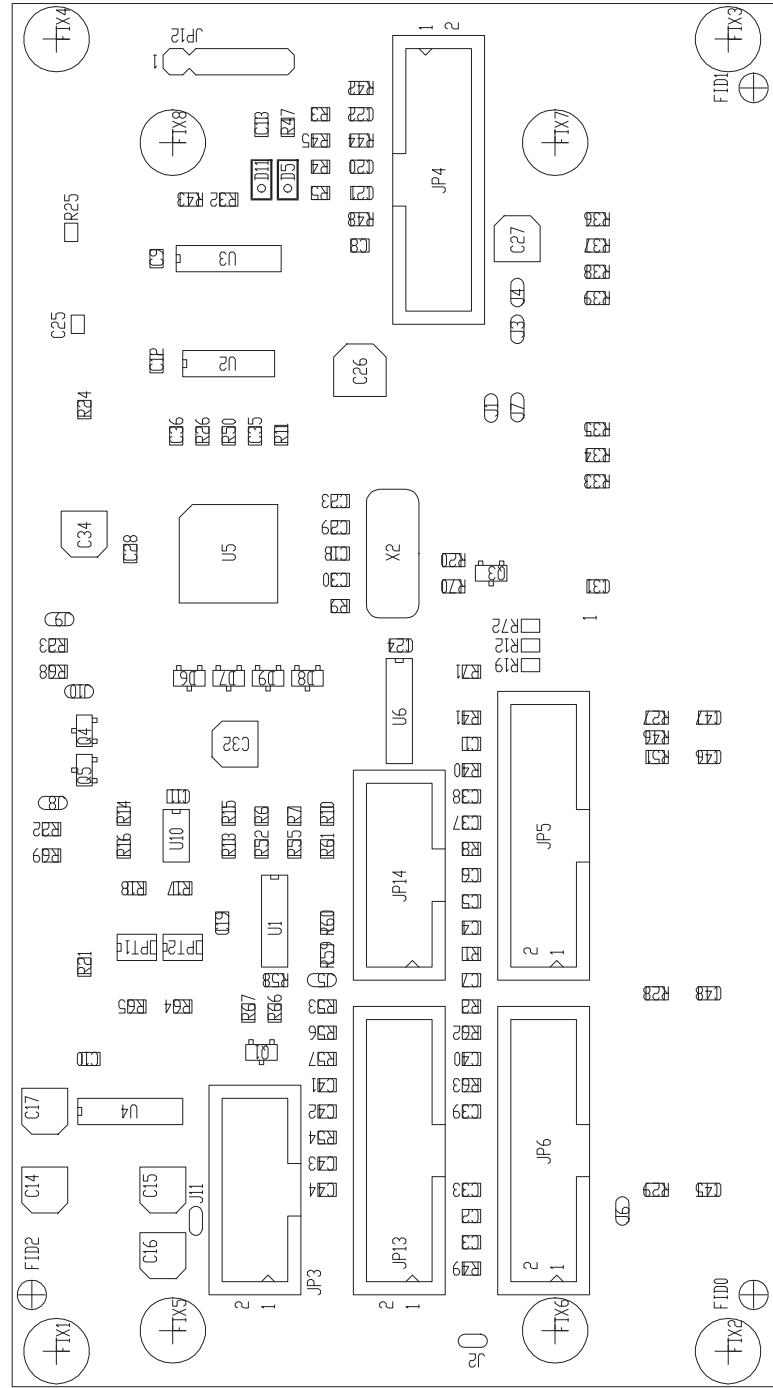


SLPA150TEXR2

PA 150W MOSFET (MA-COM)
SLPA150TEXR2
26/04/2022 Rev. 1.9
M. Ucelli; rev. De Donno

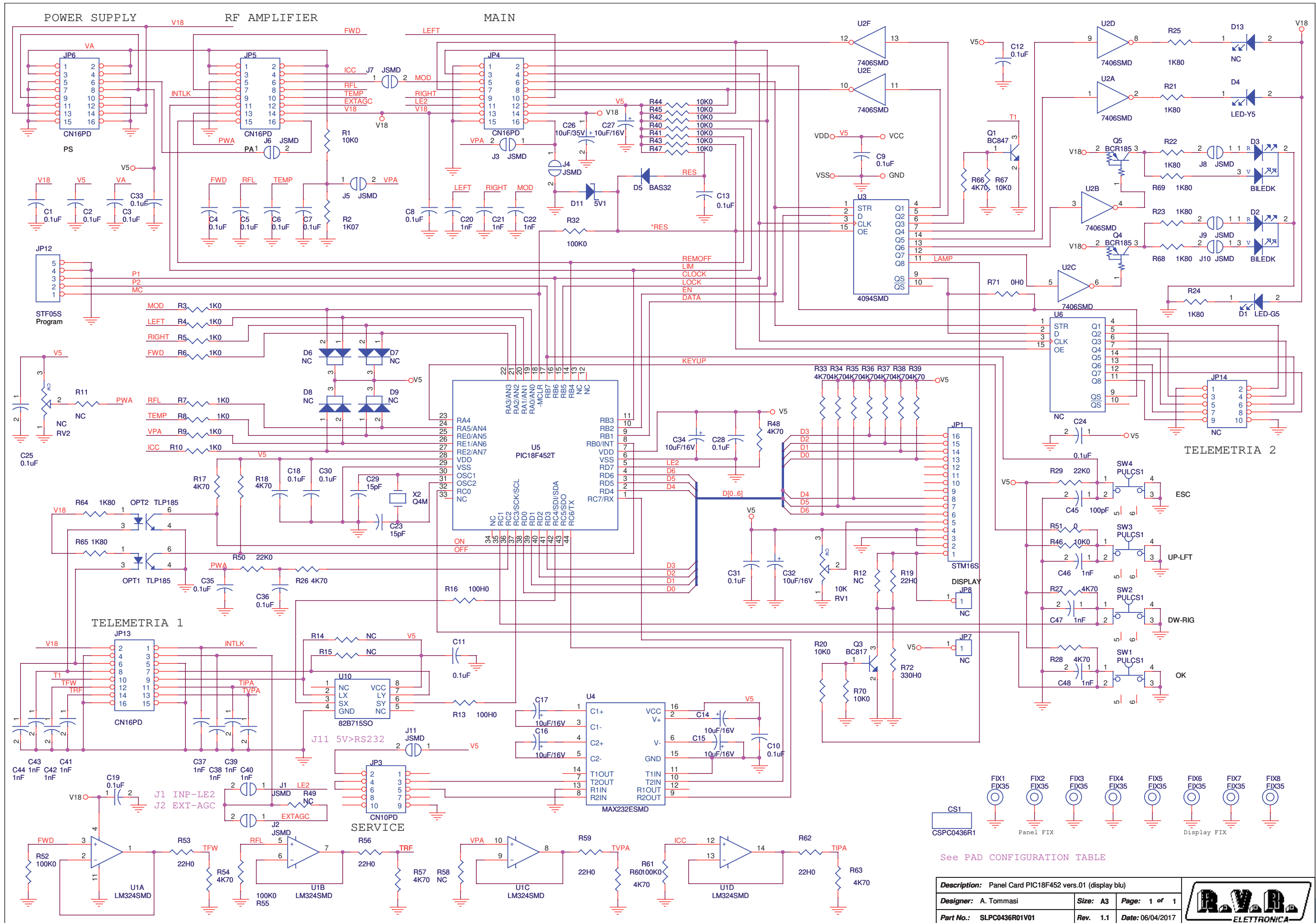
ITEM	QUANTITY	REFERENCE	PART	DESCRIPTION
1	1	CN1	N_P	Conn. N da pannello
2	2	CN2,CN3	BNC_P	Conn. BNC da pannello
3	5	CPT1,CPT2,CPT3,CPT4,CPT5	1n	Cond. passante
4	1	CS1	CSPA150W2U02	Circuito stampato
5	13	C1,C2,C3,C4,C5,C6,C24,C30,C34,C35,C36,C56,C63	4n7	Cond. SMD 0805 COG
6	4	C7,C38,C54,C59	NC	Cond. SMD 0805 COG
7	1	C8	6-30pF	Var. comp. Murata TZB4A
8	3	C9,C10,C61	1p	Cond. SMD 1212 HQ
9	2	C11,C12	470p	Cond. SMD 1212 HQ
10	1	C13	47p	Cond. SMD 0805 COG
11	12	C14,C20,C48,C51,C53,C62,C65,C66,C67,C79,C80,C81	NC	Cond. SMD 1212 HQ
12	2	C15,C16	100uF	Cond. Elett. SMD d. 6.3mm
13	2	C17,C18	100n	Cond. ceramico multistrato p 5mm
14	2	C19,C68	10p	Cond. SMD 1212 HQ
15	2	C21,C75	47p	Cond. SMD 1212 HQ
16	1	C22	10uF	Cond. Elett. SMD d. 5mm
17	4	C23,C25,C31,C32	680p	Cond. SMD 1212 HQ
18	3	C26,C69,C72	22p	Cond. SMD 1212 HQ
19	5	C27,C33,C49,C73,C74	68p	Cond. SMD 1212 HQ
20	4	C28,C29,C64,C78	100n	Cond. SMD 0805 COG
21	2	C37,C57	470p	Cond. SMD 0805 COG
22	2	C39,C47	220p	Cond. SMD 0805 COG
23	1	C40	560p	Cond. SMD 1212 HQ
24	7	C41,C42,C43,C44,C45,C52,C86	150p	Cond. SMD 1212 HQ
25	2	C46,C50	100p	Cond. SMD 1212 HQ
26	1	C55	56p	Cond. SMD 0805 COG
27	1	C58	560p	Cond. SMD 0805 COG
28	1	C70	8p2	Cond. SMD 1212 HQ
29	1	C71	220p	Cond. SMD 1212 HQ
30	3	C76,C77,C83	NC	Cond. SMD 0805
31	1	C85	220n	Cond. SMD 1210 LowESR
32	1	C87	4n7 100V	Cond. ceramico p 5mm
33	1	DCPLR1	DIR_CPLR	BOB. SU NUCLEO KITFTR1010SP
34	2	D1,D2	BAS70	Diode Hot Carrier SOT23
35	6	D3,D4,D5,D6,D7,D8	NC	MINIMELF SMD Diode
36	1	D9	NC	MINIMELF SMD Zener Diode
37	1	D10	5V1	MINIMELF SMD Zener Diode
38	1	D11	6V8	MINIMELF SMD Zener Diode
39	4	D12,D13,D14,D15	BAS32	MINIMELF SMD Diode
40	3	J1,J2,J3	JSMD	Pad SMD a saldare
41	1	L1	3 sp d. 4,5 pass.1	Induttanza cilindrica
42	2	L2,L12	3 sp d. 4,5 pass.5	Induttanza cilindrica
43	1	L3	4 sp d.4.5	Induttanza cilindrica
44	1	L4	VK200	Induttanza cilindrica VK200
45	1	L5	0,47H 5 W A FILO	Induttanza cilindrica VK200
46	2	L6,L9	47nH	Induttanza SMD 3225 (1210)
47	1	L7	45nH	Induttanza cilindrica
48	1	L8	62nH	Induttanza cilindrica
49	2	L11,L14	40nH	Induttanza cilindrica
50	1	L13	3 sp d. 4,5	Induttanza cilindrica
51	1	MOS1	MRF141 MA-COM	Power mosfet RF
52	1	MOS2	MRF136 MA-COM	Power mosfet RF
53	1	PD1	PAD	Pad SMD saldare
54	1	Q1	BFU590G	Trans. NPN SOT223
55	2	RV1,RV2	5K	Trimmer Rg V 3296W
56	3	R1,R2,R34	4K7	Res. SMD 0805
57	2	R3,R4	10K	Res. SMD 0805
58	3	R5,R8,R22	47H	Res. SMD 0805
59	2	R6,R7	47H	Res. SMD 2512

60	2	R9,R31	1K	Res. SMD 0805
61	1	R10	56H	Res. SMD 0805
62	1	R11	2K2	Res. SMD 0805
63	9	R12,R13,R14,R26,R37,R40,R42,R43,R52	NC	Res. SMD 0805
64	5	R15,R16,R18,R21,R23	22H	Res. SMD 2512
65	1	R19	1K81	Res. SMD 0805
66	1	R20	100H	Res. SMD 0805
67	6	R24,R25,R30,R41,R46,R47	0H	Res. SMD 0805
68	2	R27,R29	270H	Res. SMD 0805
69	1	R28	4H7	Res. SMD 0805
70	1	R32	560H	Res. SMD 0805
71	2	R33,R35	33H	Res. SMD 2512
72	3	R36,R38,R39	220H	Res. SMD 0805
73	1	R44	NC	Res. 2W
74	2	R45,R59	10H	Res. 2W
75	2	R48,R49	120H	Res. SMD 2512 1%
76	2	R50,R51	0H	Res. SMD 2512 1%
77	6	R53,R54,R55,R56,R57,R58	820H	Res. SMD 2512 1%
78	2	R60,R61	47H	Res. 2W
79	9	TL1,TL2,TL3,TL4,TL5,TL6,TL7,TL8,TL9	TL	Linea strip CS
80	7	W1,W2,W3,W4,W5,W6,W7	WIRE	Filo a saldare



PRODUCT NAME : TEX-LCD, P-J-LCD, LINK, URP	PART NAME : SEM.SCH.PANEL CARD PIC18F452
DESIGNER : A. TOMMASI	DATE : 03/09/15
ARCHIVING : "RVRUT" SERVER, "RILASCIATI" FOLDER	REVISION : 1.0
PROJECT CODE : <>	SCALE : 1:1
DOCUMENT CODE : SLPC0436R01Vxx	SIZE : A4
	PAGE : 1
	DI : 1

SLPC0436R01V01



See PAD CONFIGURATION TABLE

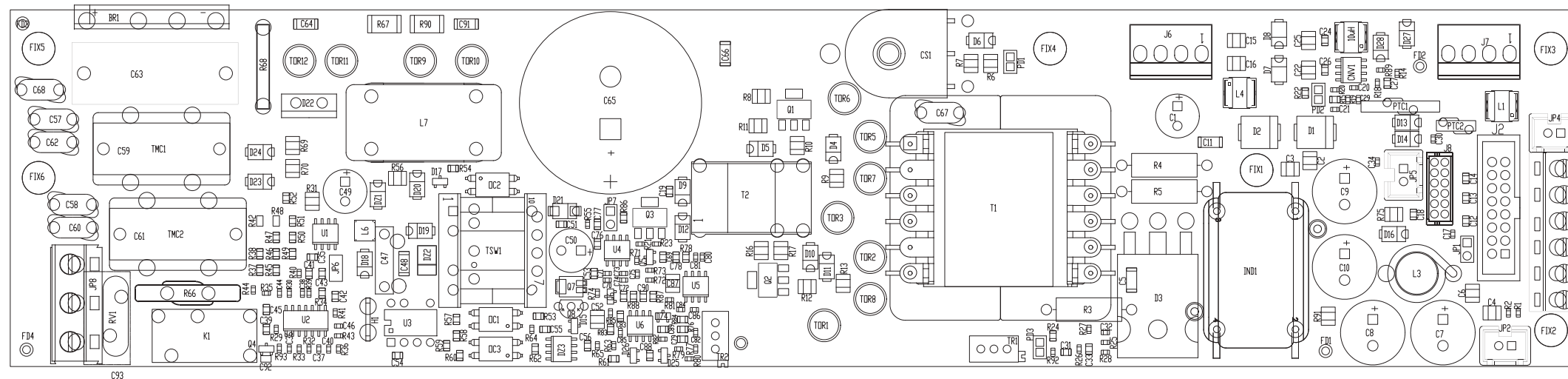
Description: Panel Card PIC18F452 vers.01 (display blu)		
Designer: A. Tommasi	Size: A3	Page: 1 of 1
Part No.: SLPC0436R01V01	Rev. 1.1	Date: 06/04/2017



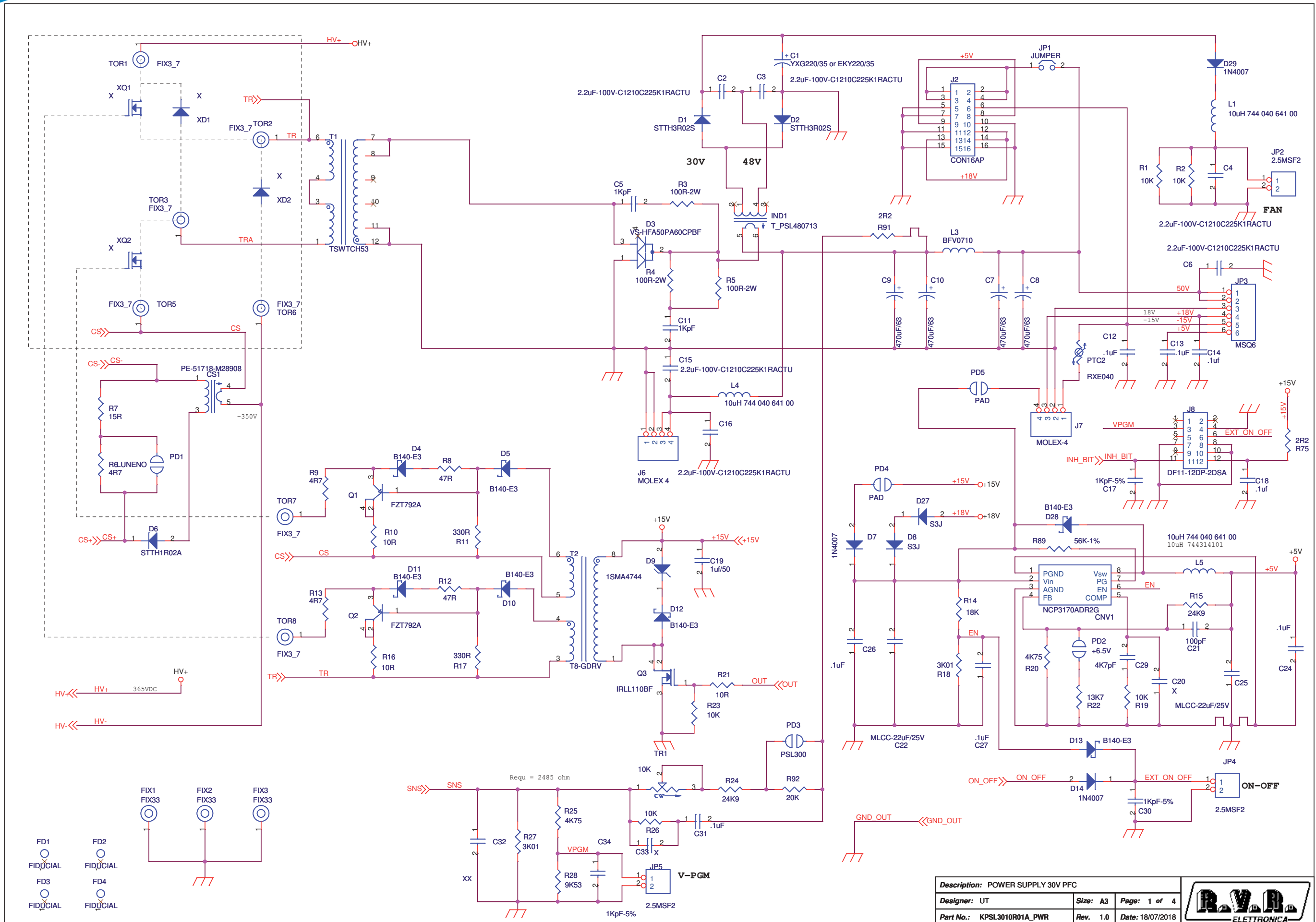
SLPC0436R01V01

Panel Card PIC18F452 vers.01 (display blu)
 SLPC0436R01V01 Revision: 1.1
 06/04/2017
 A. Tommasi

Item	Quantity	Reference	Part	Description
1	1	CS1	CSPC0436R1	Circuito stampato
2	23	C1,C2,C3,C4,C5,C6,C7,C8,C9,C10,C11,C12,C13,C18,C19,C24,C25,C28,C30,C31,C33,C35,C36	0.1uF	Cond. SMD 0805
3	7	C14,C15,C16,C17,C27,C32,C34	10uF/16V	Cond. Elett. SMD d. 4mm
4	14	C20,C21,C22,C37,C38,C39,C40,C41,C42,C43,C44,C46,C47,C48	1nF	Cond. SMD 0805
5	2	C23,C29	15pF	Cond. SMD 0805
6	1	C26	10uF/35V	Cond. Elett. SMD d. 5mm
7	1	C45	100pF	Cond. SMD 0805
8	1	D1	LED-G5	LED Verde dia. 5mm
9	2	D2,D3	BILEDK	Doppio led V-R 5mm Catodo com.
10	1	D4	LED-Y5	LED Giallo dia. 5mm
11	1	D5	BAS32	MINIMELF SMD Diode
12	4	D6,D7,D8,D9	NC	Doppio Diodo SMD SOT23
13	1	D11	5V1	MINIMELF SMD Zener Diode
14	1	D13	NC	LED Giallo dia. 5mm
15	8	FIX1, FIX2, FIX3, FIX4, FIX5, FIX6, FIX7, FIX8	FIX35	Foro fissaggio 3.5mm
16	1	JP1	STM16S	Strip femmina 16 pin
17	1	JP3	CN10PD	Connettore 10 poli Flat cs
18	4	JP4,JP5,JP6,JP13	CN16PD	Connettore 16 poli Flat cs
19	2	JP7,JP8	NC	Strip femmina 1 pin
20	1	JP12	STF05S	Strip femmina o 5 pin
21	1	JP14	NC	Connettore 10 poli Flat cs
22	11	J1,J2,J3,J4,J5,J6,J7,J8,J9,J10,J11	JSMD	Pad SMD a saldare
23	2	OPT1,OPT2	TLP185	Optoisolatore SMD SO6
24	1	Q1	BC847	Trans. NPN SOT23
25	1	Q3	BC817	Trans. NPN SOT23
26	2	Q4,Q5	BCR185	Trans./Res. PNP SOT23
27	1	RV1	10K	Trimmer Rg O 3386X
28	1	RV2	NC	Trimmer Rg V 3296W
29	12	R1,R20,R40,R41,R42,R43,R44,R45,R46,R47,R67,R70	10K0	Res. SMD 0805 1%
30	1	R2	1K07	Res. SMD 0805 1%
31	8	R3,R4,R5,R6,R7,R8,R9,R10	1K0	Res. SMD 0805 1%
32	6	R11,R12,R14,R15,R49,R58	NC	Res. SMD 0805 1%
33	2	R13,R16	100H0	Res. SMD 0805 1%
34	18	R17,R18,R26,R27,R28,R33,R34,R35,R36,R37,R38,R39,R48,R54,R57,R60,R63,R66	4K70	Res. SMD 0805 1%
35	5	R19,R53,R56,R59,R62	22H0	Res. SMD 0805 1%
36	9	R21,R22,R23,R24,R25,R64,R65,R68,R69	1K80	Res. SMD 0805 1%
37	2	R29,R50	22K0	Res. SMD 0805 1%
38	4	R32,R52,R55,R61	100K0	Res. SMD 0805 1%
39	2	R51,R71	0H0	Res. SMD 0805 1%
40	1	R72	330H0	Res. SMD 0805 1%
41	4	SW1,SW2,SW3,SW4	PULCS1	Pulsante cs
42	1	U1	LM324SMD	Quad Op. SMD SO14
43	1	U2	7406SMD	Hex inv OC SMD SO14
44	1	U3	4094SMD	Shift Reg. SMD SO16
45	1	U4	MAX232ESMD	RS232 Driver SMD SO16
46	1	U5	PIC18F452T	TQFP44 SMD Microprocessor
47	1	U6	NC	Shift Reg. SMD SO16
48	1	U10	82B715SO	IIC Bus driver SMD SO8
49	1	X2	Q4M	Quarzo SMD HC49SMD



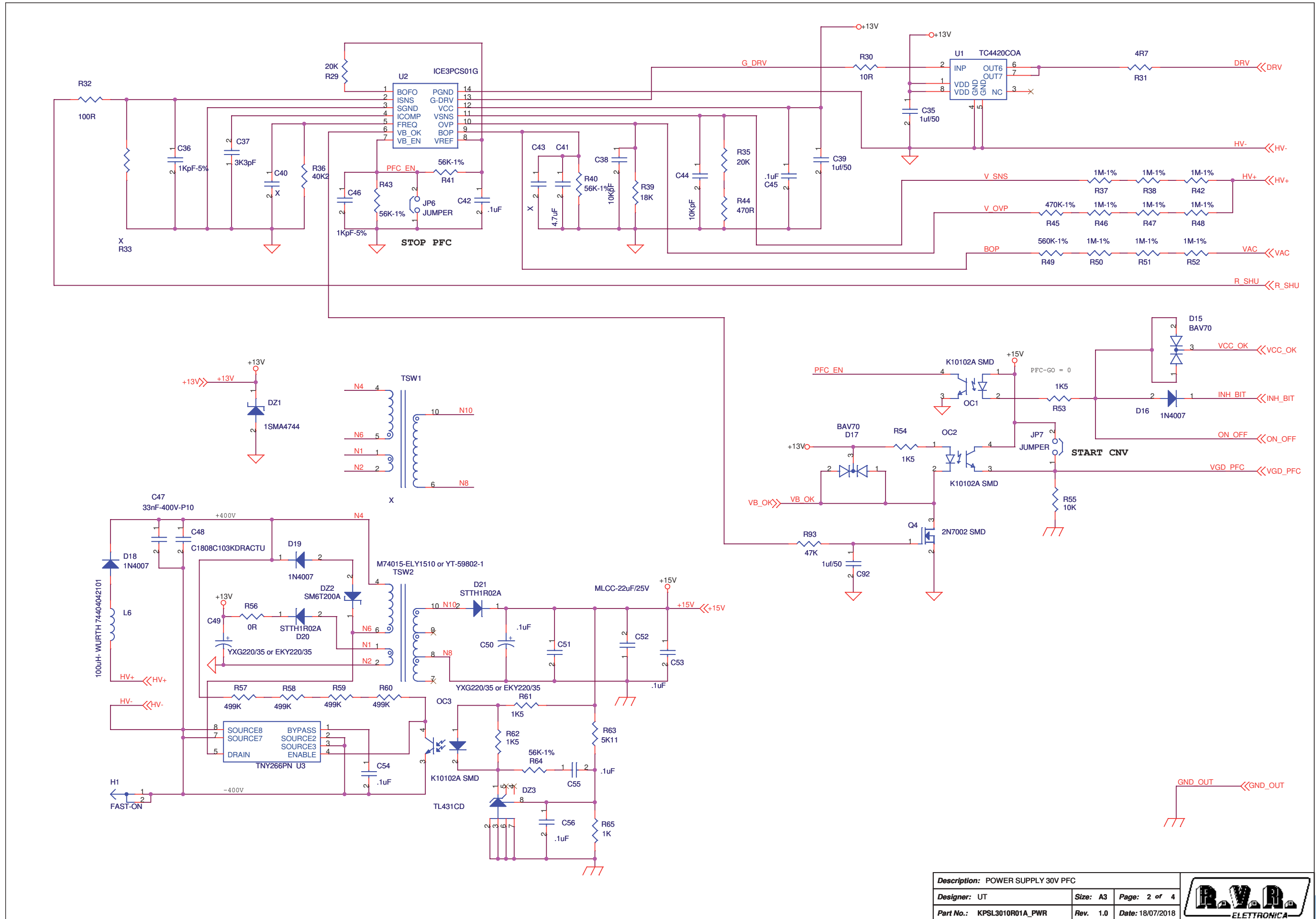
	PRODUCT NAME : TEX-LCD	PART NAME : POWER SUPPLY 30V PFC			
	DESIGNER : UT	DATE : 18/07/18	REVISION : 1.0	SCALE : 1:1	SIZE : A4
ARCHIVING : "RVRUT" SERVER, "RILASCIATI" FOLDER	PROJECT CODE : <	DOCUMENT CODE : KPSL3010R01A			



Description: POWER SUPPLY 30V PFC		
Designer: UT	Size: A3	Page: 1 of 4
Part No.: KPSL3010R01A_PWR	Rev.: 1.0	Date: 18/07/2018

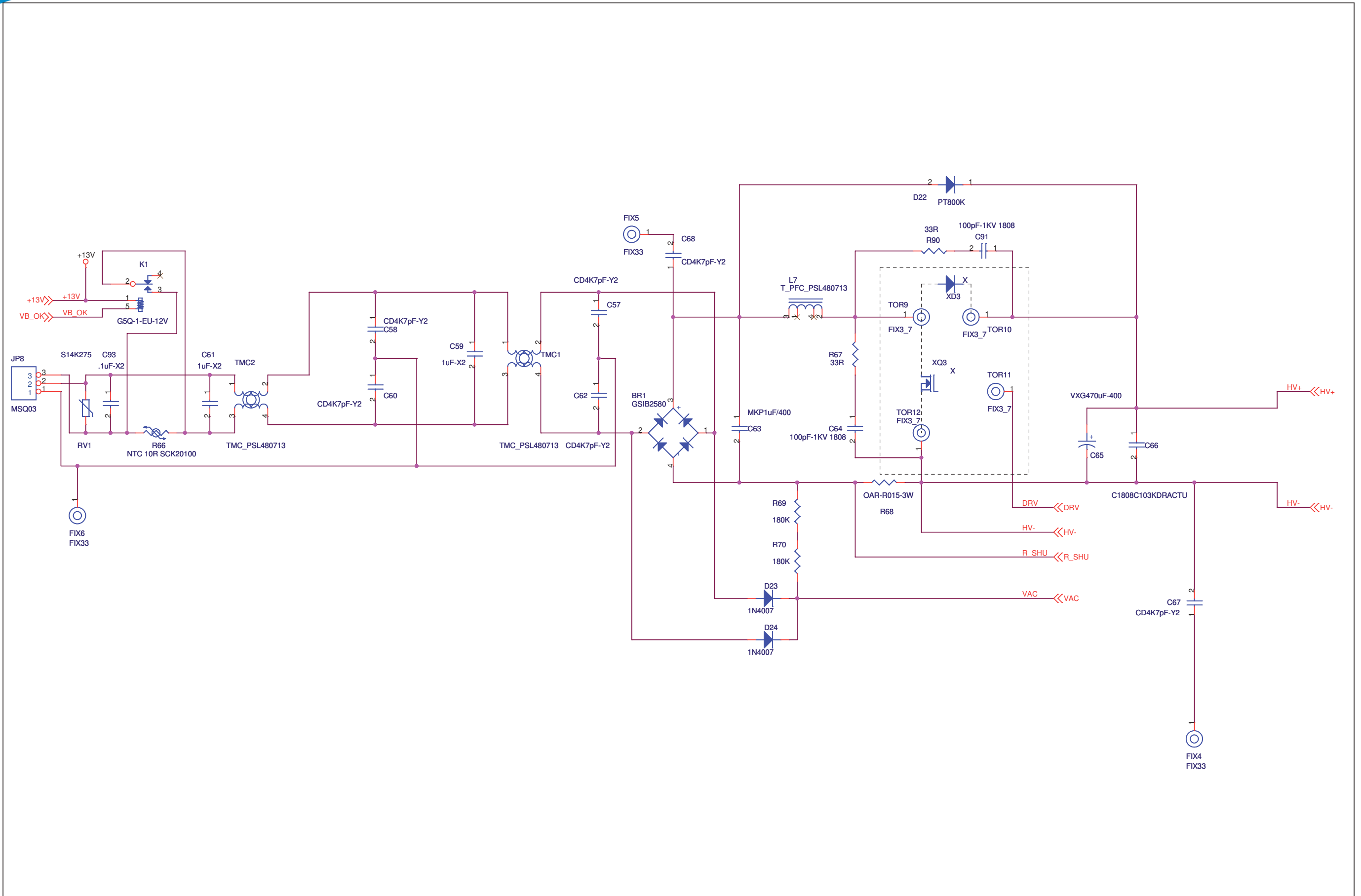


KPSL3010R01A



Description: POWER SUPPLY 30V PFC			
Designer: UT	Size: A3	Page: 2 of 4	
Part No.: KPSL3010R01A_PWR	Rev. 1.0	Date: 18/07/2018	





Description: POWER SUPPLY 30V PFC		
Designer: UT	Size: A3	Page: 3 of 4
Part No.: KPSL3010R01A_PWR	Rev. 1.0	Date: 18/07/2018

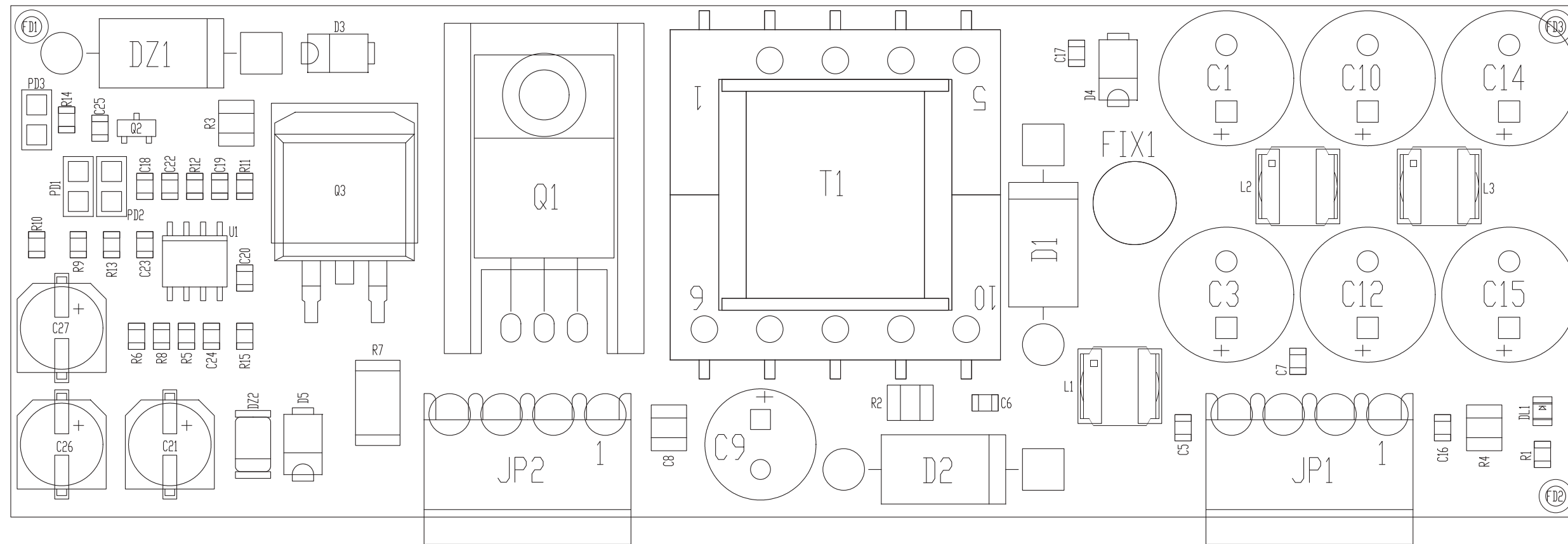


KPSL3010R01A

POWER SUPPLY 30V PFC Revised: 18/07/2018
 KPSL3010R01A_PWR Revision: 1.0
 UT

Item	Quantity	Reference	Part	Footprint
1	1	BR1	GSIB2580	PR_GSIB_55
2	1	CNV1	NCP3170ADR2G	SO8
3	1	C51	PE-51718-M28908	TRF_PES1718_CENTRO
4	3	C1, C49, C50	YXG220/35 or EKY220/35	CEL_D8_5P3_81
5	6	C2, C3, C4, C6, C15, C16	2.2uF-100V-C1210C225K1RACTU	1210
6	2	C5, C11	1KpF	1808_HT
7	4	C7, C8, C9, C10	470uF/63	CEL_D12_5P5_08
8	21	C12, C13, C14, C18, C24, C26, C27, C31, C42, C45, C51, C53, C54, C55, C56, C72, C76, C78, C83, C89, C90	.1uF	0805_OC
9	6	C17, C30, C34, C36, C46, C75	1KPF-5%	0603_OC
10	6	C19, C35, C39, C77, C88, C92	1uF/50	0805_OC
11	5	C20, R33, C40, C71, C73	X	0603_OC
12	2	C21, C86	100pF	0603_OC
13	4	C22, C25, C52, C87	MLCC-22uF/25V	1210
14	5	C29, C80, C81, C82, C85	4K7pF	0603_OC
15	1	C32	XX	0603_OC
16	2	C33, C43	X	0805_OC
17	1	C37	3K3pF	0603_OC
18	3	C38, C44, C70	10KPF	0603_OC
19	1	C41	4.7uF	0805_OC
20	1	C47	33nF-400V-P10	CP_13X3_5P10_16
21	2	C48, C66	C1808C103KDRACTU	1808_HT
22	6	C57, C58, C60, C62, C67, C68	CD4K7pF-Y2	CC_L5_OP7_5_Y2
23	2	C59, C61	1uF-X2	CP_26_5X10P22_5
24	1	C63	MKP1uF/400	CP_32_2X12P27_5
25	2	C64, C91	100pF-1KV 1808	1808_HT
26	1	C65	VXG470uF-400	CEL_D35_3P10_16
27	1	C74	330pF	0603_OC
28	1	C79	10uF/16	0805_OC
29	1	C84	47pF	0603_OC
30	1	C93	.1uF-X2	???
31	2	D21, D9	1SMA4744	SMA
32	1	D22	SM6T200A	SMB
33	1	D23	TL431CD	SO8
34	1	D24	LM4040-5V-1%	SOT23
35	2	D1, D2	STTH3R025	SMC
36	1	D3	VS-HFA50PA60CPBF	TO247AC_DD_RB
37	7	D4, D5, D10, D11, D12, D13, D28	B140-E3	SMA
38	3	D6, D20, D21	STTH1R02A	SMA
39	7	D7, D14, D16, D18, D19, D23, D24	1N4007	SMA
40	2	D8, D27	S3J	SMC
41	4	D15, D17, D25, D26	BAV70	SOT23
42	1	D22	PT800K	D_STTA0860
43	1	D29	1N4007	???
44	4	FD1, FD2, FD3, FD4	FIDUCIAL	FID_C60
45	6	FIX1, FIX2, FIX3, FIX4, FIX5, FIX6	FIX33	FIX3_3
46	1	H1	FAST-ON	FST_2P_P5_08
47	1	IND1	T_PSL480713	T_PSL480713
48	3	JP1, JP6, JP7	JUMPER	STRIP2
49	3	JP2, JP4, JP5	2.5MSF2	CN_MSIF2_5_2PV
50	1	JP3	MSQ6	M_MSQ06001
51	1	JP8	MSQ03	M_MSQ03003
52	1	J2	CON16AP	FLAT16P_V
53	1	J6	MOLEX 4	CN_5274_4V
54	1	J7	MOLEX-4	CN_5274_4V
55	1	J8	DF11-12DP-2DSA	CN_DF11-12DP-2DSA
56	1	K1	G5Q-1-EU-12V	REL_G5Q-1
57	3	L1, L4, L5	10uH 744 040 641.00	IND_74404064100
58	1	L3	BFV0710	IND_BFV0710
59	1	L6	100uH-WURTH 74404042101	IND_WE-LQS-4018
60	1	L7	T_PFC_PSL480713	IND_PFC_PSL480713
61	3	OC1, OC2, OC3	K10102A SMD	OP_K10102A_8MM
62	1	PD1	LUNENO	PIAZ_2P
63	1	PD2	+6.5V	PIAZ_2P
64	1	PD3	PSL300	PIAZ_2P
65	2	PD4, PD5	PAD	PIAZ_2P
66	1	PTC2	RXE040	RXE040
67	2	Q1, Q2	FZT792A	SOT223
68	1	Q3	IRLL1108F	SOT223
69	1	Q4	2N7002 SMD	SOT23
70	1	Q5	BC847	SOT23
71	1	Q6	BCR135	SOT23
72	1	Q7	S4S2RP	SCR_COMPACK_C
73	1	Q8	2N5064	TRC_2N5064
74	1	RV1	S14K275	MOV_S14K40

Item	Quantity	Reference	Part	Footprint
75	8	R1, R2, R19, R23, R26, R55, R74, R85	10K	0603_OC
76	3	R3, R4, R5	100R-2W	RES_MOR_2W
77	4	R6, R9, R13, R31	4R7	1210
78	1	R7	15R	1210
79	2	R8, R12	47R	1210
80	2	R10, R16	10R	1210
81	2	R11, R17	330R	1210
82	2	R14, R39	18K	0603_OC
83	2	R15, R24	24K9	0805_OC
84	3	R18, R27, R82	3K01	0603_OC
85	3	R20, R25, R73	4K75	0603_OC
86	3	R21, R30, R80	10R	0603_OC
87	1	R22	13K7	0805_OC
88	1	R28	9K53	0603_OC
89	4	R29, R35, R79, R92	20K	0603_OC
90	1	R32	100R	0603_OC
91	1	R36	40K2	0603_OC
92	10	R37, R38, R42, R46, R47, R48, R50, R51, R52, R86	1M-1%	0805_OC
93	5	R40, R41, R43, R64, R89	56K-1%	0603_OC
94	1	R44	470R	0603_OC
95	6	R45, R76, R78, R83, R87, R88	470K-1%	0805_OC
96	1	R49	560K-1%	0805_OC
97	5	R53, R54, R61, R62, R94	1K5	0805_OC
98	1	R56	0R	1210
99	4	R57, R58, R59, R60	499K	0805_OC
100	1	R63	5K11	0603_OC
101	4	R65, R72, R77, R81	1K	0603_OC
102	1	R66	NTC 10R SCK20100	NTC_20_4X4_5_P8
103	2	R67, R90	33R	2512
104	1	R68	OAR-R015-3W	SH_OAR_3
105	2	R69, R70	180K	1210
106	1	R71	7K5	0805_OC
107	2	R75, R91	2R2	1210
108	2	R84, R93	47K	0805_OC
109	2	TMC1, TMC2	TMC_PSL480713	IND_TMC_PSL480713
110	11	TOR1, TOR2, TOR3, TOR5, TOR6, TOR7, TOR8, TOR9, TOR10, TOR11, TOR12	FIX3_7	FIX3_7
111	1	TP1	T POINT R	TP_D2_54
112	2	TR1, TR2	10K	3106W_90
113	1	TSW1	X	TRF_E20_H
114	1	TSW2	M74015-ELY1510 or YT-59802-1	TRF_SWE16
115	1	T1	TSWCH53	TRF_E42
116	1	T2	T8-GDRV	TRF_VRG20
117	1	U1	TC4420COA	SO8
118	1	U2	ICE3PCS01G	SO14
119	1	U3	TNY266PN	DIP8_TNY266
120	1	U4	UC3845ADB	SO8
121	1	U5	LM311DT	SO8
122	1	U6	LM393DT	SO8
123	6	XQ1, XD1, XQ2, XD2, XQ3, XD3	X	



PRODUCT NAME : TEX-LCD

DESIGNER : UT

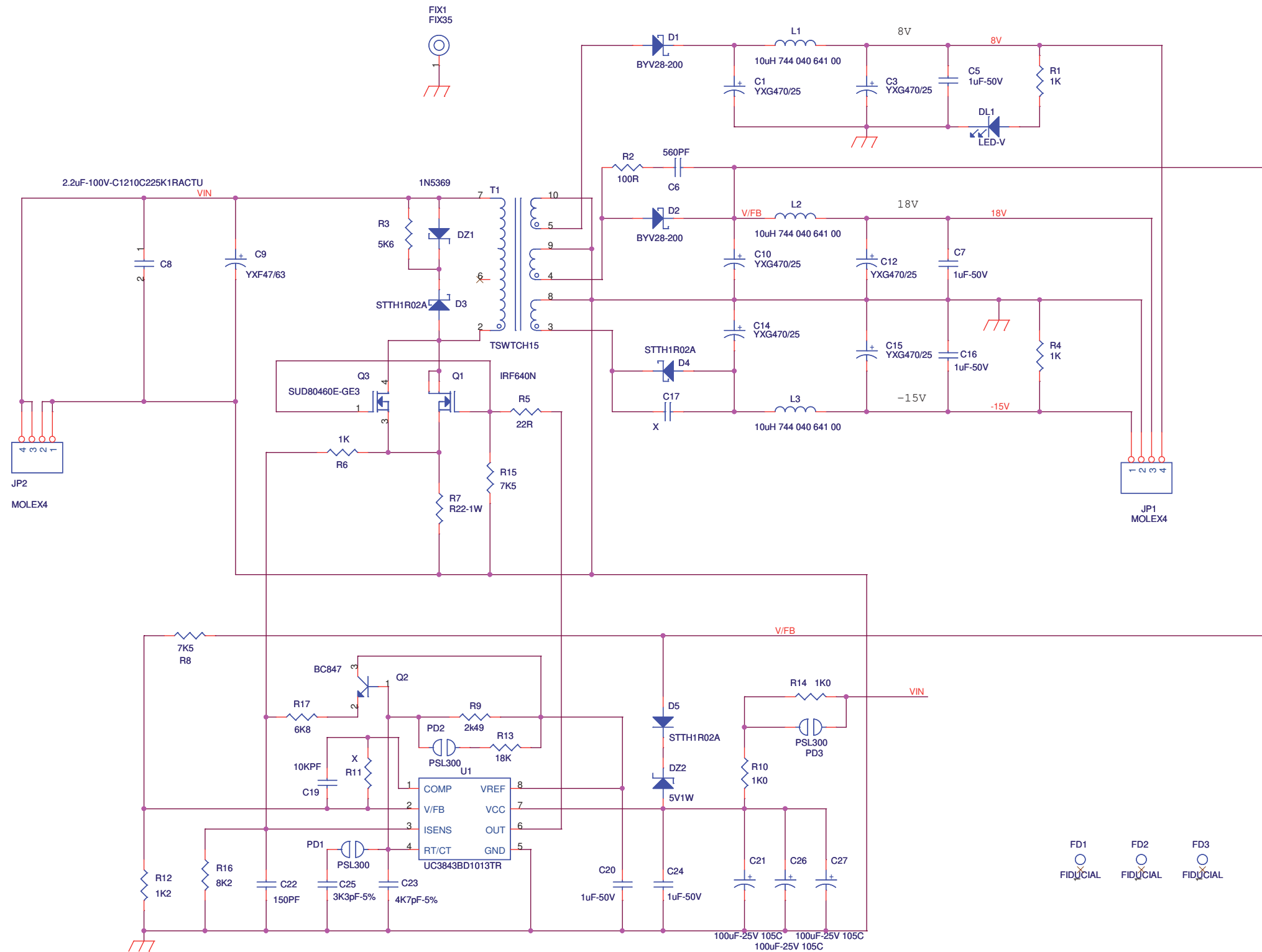
ARCHIVING : "RVUT" SERVER, "RILASCIATI" FOLDER

PROJECT CODE : <>

PART NAME : POWER SUPPLY 30V PFC (AUX SECTION)

DATE : 18/07/18 REVISION : 1.0 SCALE : 2:1 SIZE : A4 PAGE : 1 DI 1

DOCUMENT CODE : KPSL3010R01A_AUS



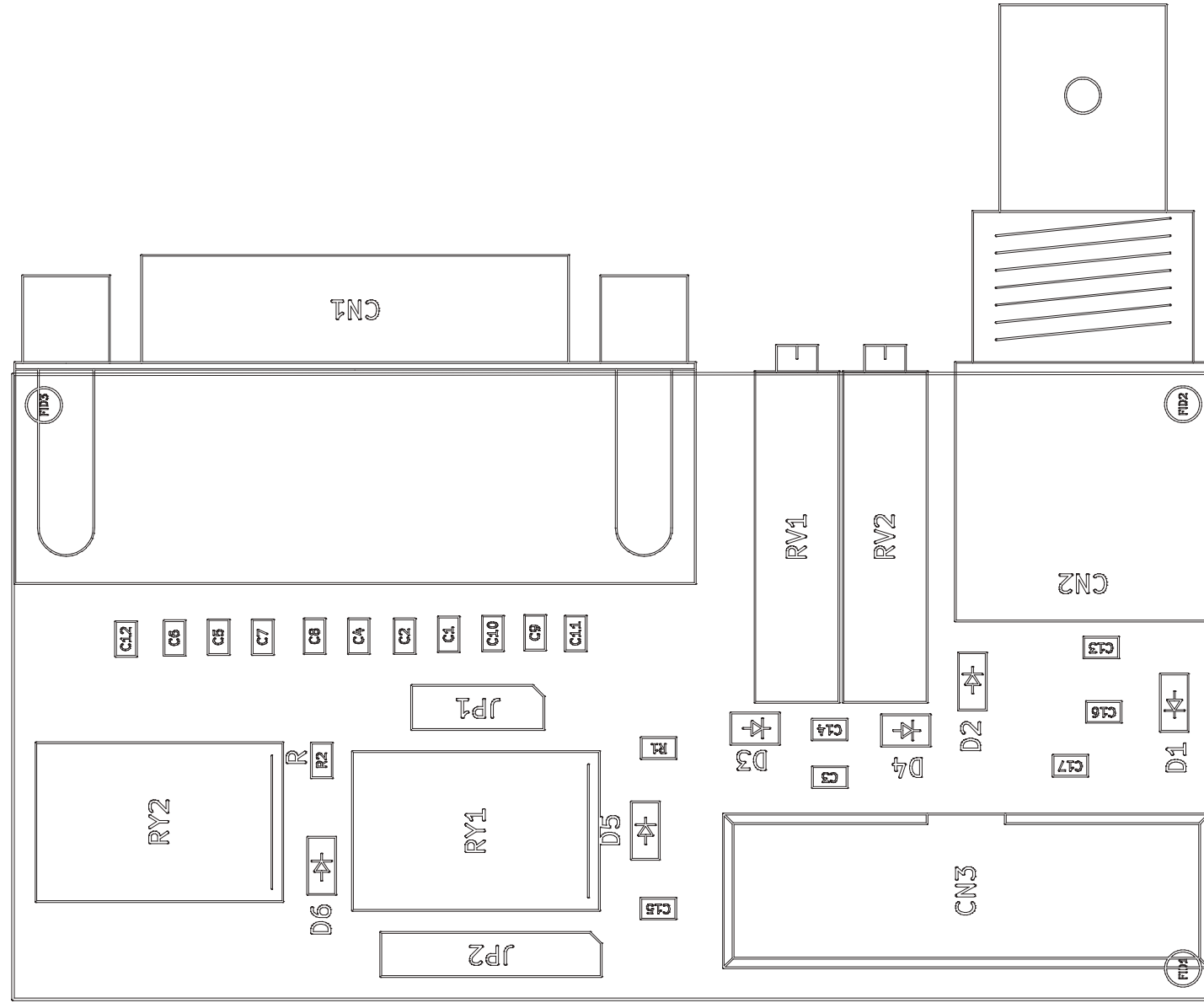
Description: POWER SUPPLY 30V PFC (AUX SECTION)		
Designer: UT	Size: A3	Page: 1 of 1
Part No.: KPSL3010R01A_AUS	Rev. 1.0	Date: 18/07/2018



KPSL3010R01A

POWER SUPPLY 30V PFC (AUX SECTION) Revised: 18/07/2018
 KPSL3010R01A_AUS Revision: 1.0
 UT

Item	Quantity	Reference	Part	Footprint
1	6	C1, C3, C10, C12, C14, C15	YXG470/25	CEL_D10_3P5_08
2	5	C5, C7, C16, C20, C24	1uF-50V	0805_OC
3	1	C6	560PF	0805_OC
4	1	C8	2.2uF-100V-C1210C225K1RACTU	1210
5	1	C9	YXF47/63	CEL_D8_5P3_81
6	2	R11, C17	X	0805_OC
7	1	C19	10KPF	0805_OC
8	3	C21, C26, C27	100uF-25V 105C	CES6_3X6_3
9	1	C22	150PF	0805_OC
10	1	C23	4K7pF-5%	0805_OC
11	1	C25	3K3pF-5%	0805_OC
12	1	DL1	LED-V	LD_BLHX5A
13	1	DZ1	1N5369	1N5408
14	1	DZ2	5V1W	MELF
15	2	D1, D2	BYV28-200	1N5408
16	3	D3, D4, D5	STTH1R02A	SMA
17	3	FD1, FD2, FD3	FIDUCIAL	FID_C60
18	1	FIX1	FIX35	FIX3_5
19	2	JP1, JP2	MOLEX4	CN_MLX4P90
20	3	L1, L2, L3	10uH 744 040 641 00	IND_74404064100
21	3	PD1, PD2, PD3	PSL300	PIAZ_2P
22	1	Q1	IRF640N	TO220_MFET_ML26AA
23	1	Q2	BC847	SOT23
24	1	Q3	SUD80460E-GE3	D2PACK
25	2	R1, R6	1K	0805_OC
26	1	R2	100R	1210
27	1	R3	5K6	1210
28	1	R4	1K	1210
29	1	R5	22R	0805_OC
30	1	R7	R22-1W	2512
31	2	R8, R15	7K5	0805_OC
32	1	R9	2k49	0805_OC
33	2	R10, R14	1K0	1210
34	1	R12	1K2	0805_OC
35	1	R13	18K	0805_OC
36	1	R16	8K2	0805_OC
37	1	R17	6K8	0805_OC
38	1	T1	TSWTCH15	TSWTCH15
39	1	U1	UC3843BD1013TR	SO8



PRODUCT NAME : TEX-TFT

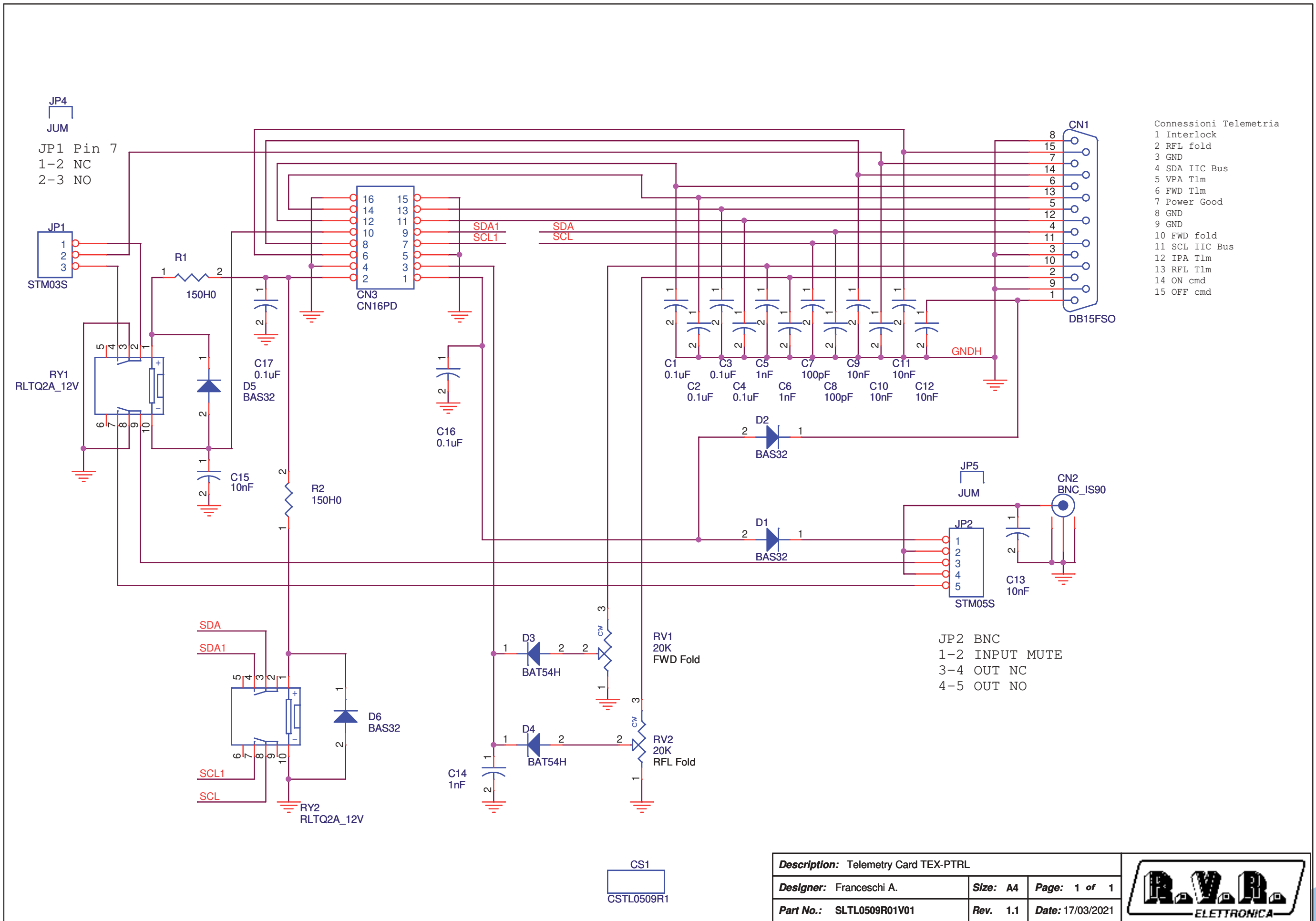
DESIGNER : FRANCESCHI A.

PART NAME : TELEMETRY CARD

DATE : 22/06/20 REVISION : 1.0 SCALE : 2:1 SIZE : A4 PAGE : 1 DI 1

ARCHIVING : 'RVRUT' SERVER, 'RILASCIATI' FOLDER PROJECT CODE : <>

DOCUMENT CODE : SLTL0509R01V**



SLTL0509R01V01

Telemetry Card TEX-PTRL Revised: 17/03/2021
 SLTL0509R01V01 Revision: 1.1
 Franceschi A.

Item	Quantity	Reference	Part	Description
1	1	CN1	DB15FSO	DB15 fem. PCB 90° conn.
2	1	CN2	BNC_IS90	Metal BNC conn. 90°
3	1	CN3	CN16PD	16 way pcb conn. with holder
4	1	CS1	CSTL0509R1	Printed Circuit board
5	6	C1, C2, C3, C4, C16, C17	0.1uF	0805 SMD capacitor
6	3	C5, C6, C14	1nF	0805 SMD capacitor
7	2	C7, C8	100pF	0805 SMD capacitor
8	6	C9, C10, C11, C12, C13, C15	10nF	0805 SMD capacitor
9	4	D1, D2, D5, D6	BAS32	MINIMELF SMD Diode
10	2	D3, D4	BAT54H	SOD123F SMD Diode
11	1	JP1	STM03S	Male strip 3 pin
12	1	JP2	STM05S	Male strip 5 pin
13	2	JP4, JP5	JUM	Jumper
14	2	RV1, RV2	20K	Trimmer Rg H 3006
15	2	RY1, RY2	RLTQ2A_12V	TQ2 relay
16	2	R1, R2	150H0	0805 SMD res.