



TEX2003TFT

TECHNICAL ANNEX VOLUME2



R.V.R. Elettronica S.r.l.
Via del Fonditore 2 / 2c
40138 · Bologna · Italy
Phone: +39 051 6010506 · Fax: +39 051 6011104
e-mail: info@rvr.it · web: http://www.rvr.it

Member of CISQ Federation



CERTIFIED MANAGEMENT SYSTEM
ISO 9001



The RVR Logo, and others referenced RVR products and services are trademarks of RVR Elettronica in Italy, other countries or both. RVR © 1998 all rights reserved.
All other trademarks, trade names or logos used are property of their respective owners.

Manufactured by R.V.R ELETTRONICA Italy



Appendix A Piani di montaggio, schemi elettrici, liste componenti / *Component layouts, schematics, bills of material*

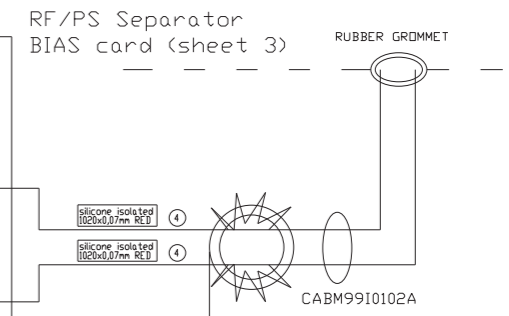
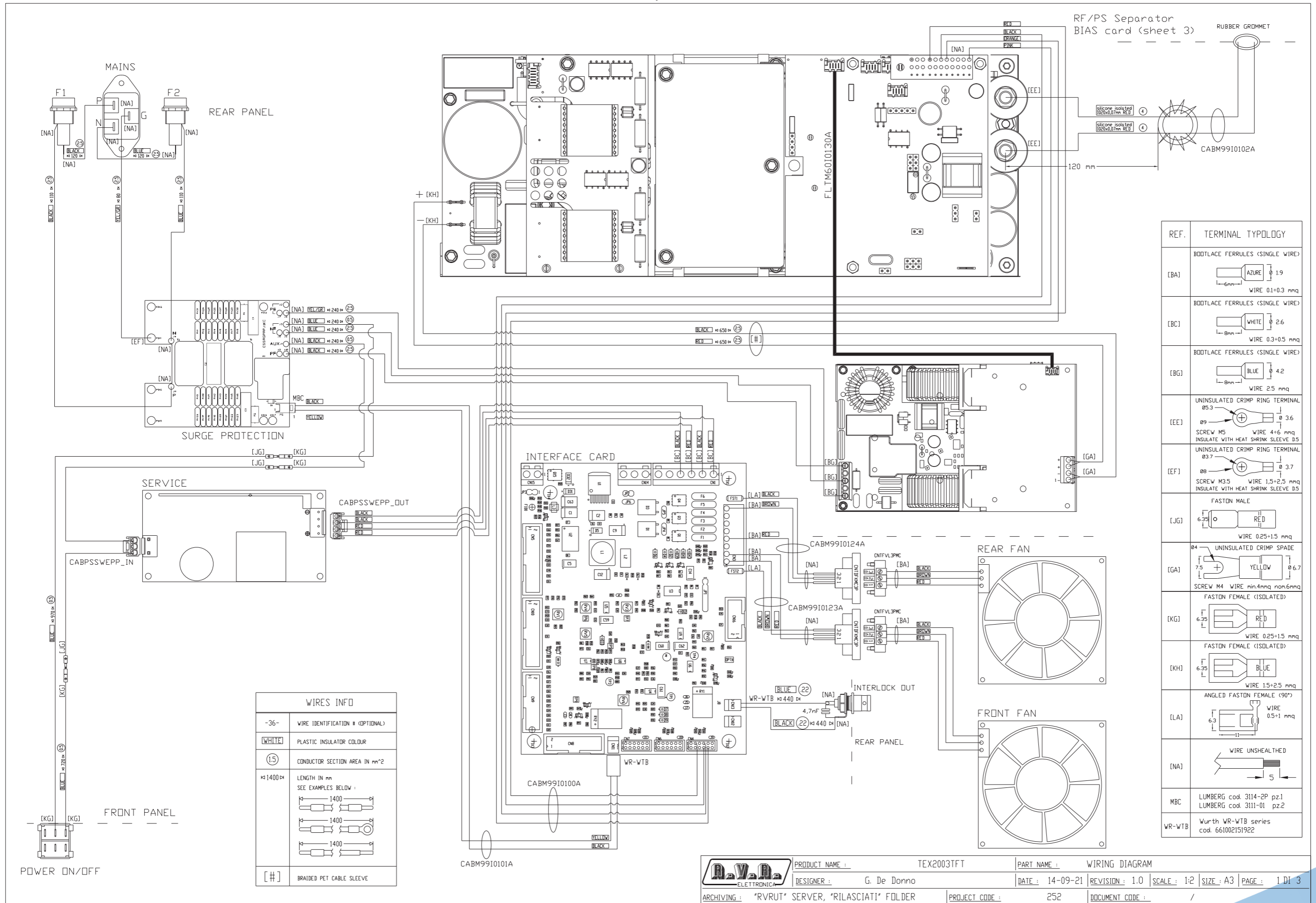
Questa parte del manuale contiene i dettagli tecnici riguardanti la costruzione delle singole schede componenti il TEX2003TFT. L'appendice è composta dalle seguenti sezioni:

This part of the manual contains the technical details about the different Cards of the TEX2003TFT. This appendix is composed of the following sections:

Description	RVR Code	Vers.	Page
Wiring Diagram	/	1.0	1
Main Board	SLMA0276R04V01	1.1	4
Driver Card	SLDR0271R03V05	1.1	9
Splitter Card	SLSPLTEX1KL1	1.0	12
R.F. Card	SL252RF1001	1.0	13
R.F. Card - Input Section	SLRF0514R01V01	1.0	14
R.F. Card - Output Section	SLRF0515R01V01	1.0	17
Combiner Card	SLCMBTEX2KL1	1.0	20
LPF Card	SLLPFTEX2K5	1.2	23
Interface Card	SLIN0467R03V04	1.0	25
Surge Protection Card	SLSRGPRPJ1KM	1.2	28
Power Supply	PSL4280HS	1.0	30
Power Factor Correction	PFCPSL4280	1.0	48
Auxiliary Power Supply	PSSWEPP15024	1.0	61
Panel Card	SLPC0463R05V02	1.0	62
Pass-Through Card	SLFILPJ1KM	2.1	67
Fuse Card	SLFURFPJ2KLG	1.0	69
BIAS Interface Card	SLIN0501R01V01	1.1	71
BIAS Card	SLBI0439R03V05	1.0	73
Directional Coupler Card	SLDC0375R01V01	1.2	77
Telemetry Card	SLTL0509R01V01	1.1	79
Stereo Coder Card	SLCTC30V03V01	1.1	82
Clipper Card	SLCS0391R01V02	1.0	85
15kHz Audio Filter Card	SLAU0469R01V04	1.0	87

Document History

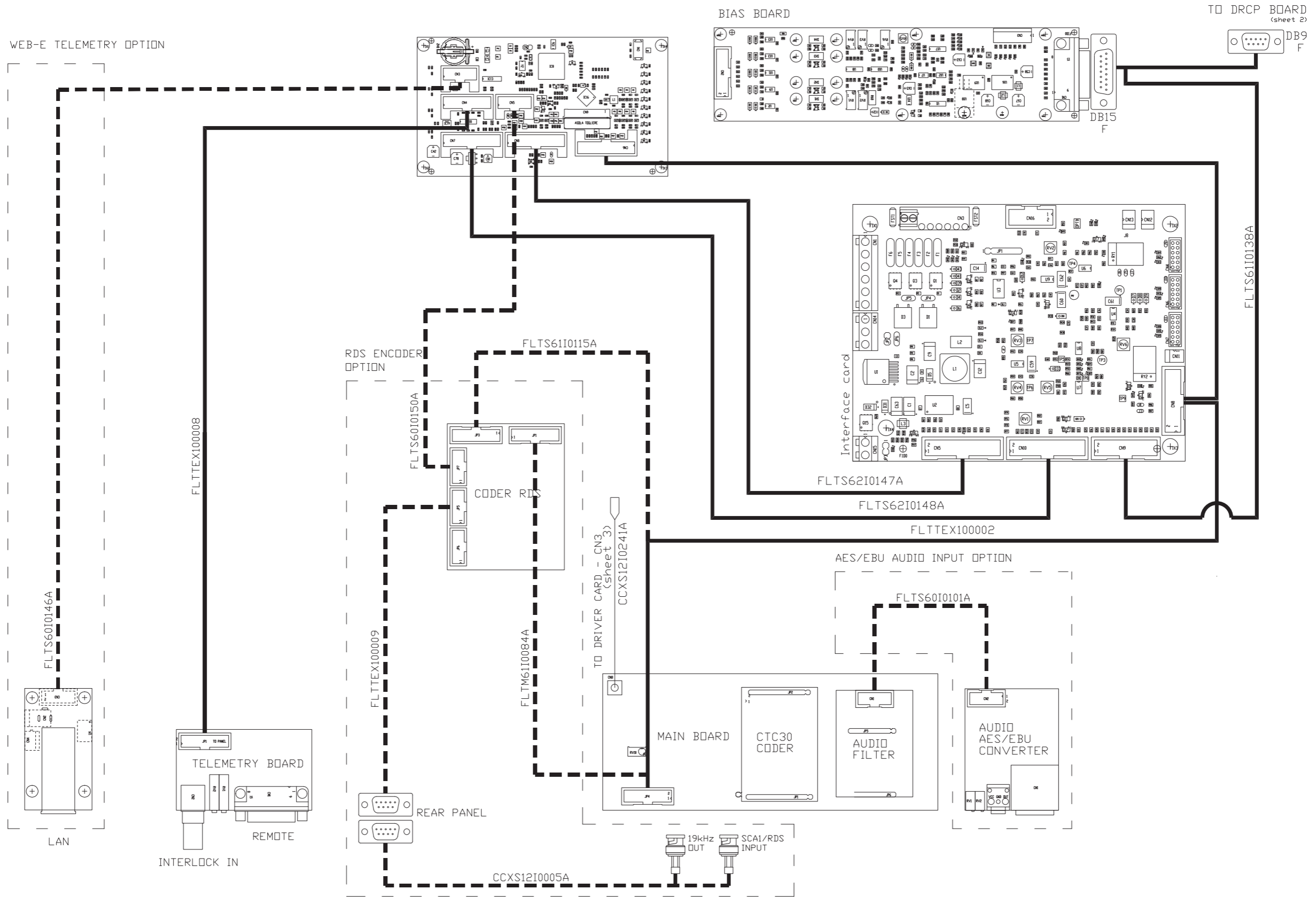
Date	Version	Reason	Code	Editor
29/11/2020	1.0	First Release	/	J.H. Berti
23/08/2021	1.1	Major Release	/	J.H. Berti
29/04/2022	1.2	SLMA0276R04V01, SLPC0463R05V02, SLIN0467R03V04,SLDR0271R03V05 Upgrade	/	J.H. Berti



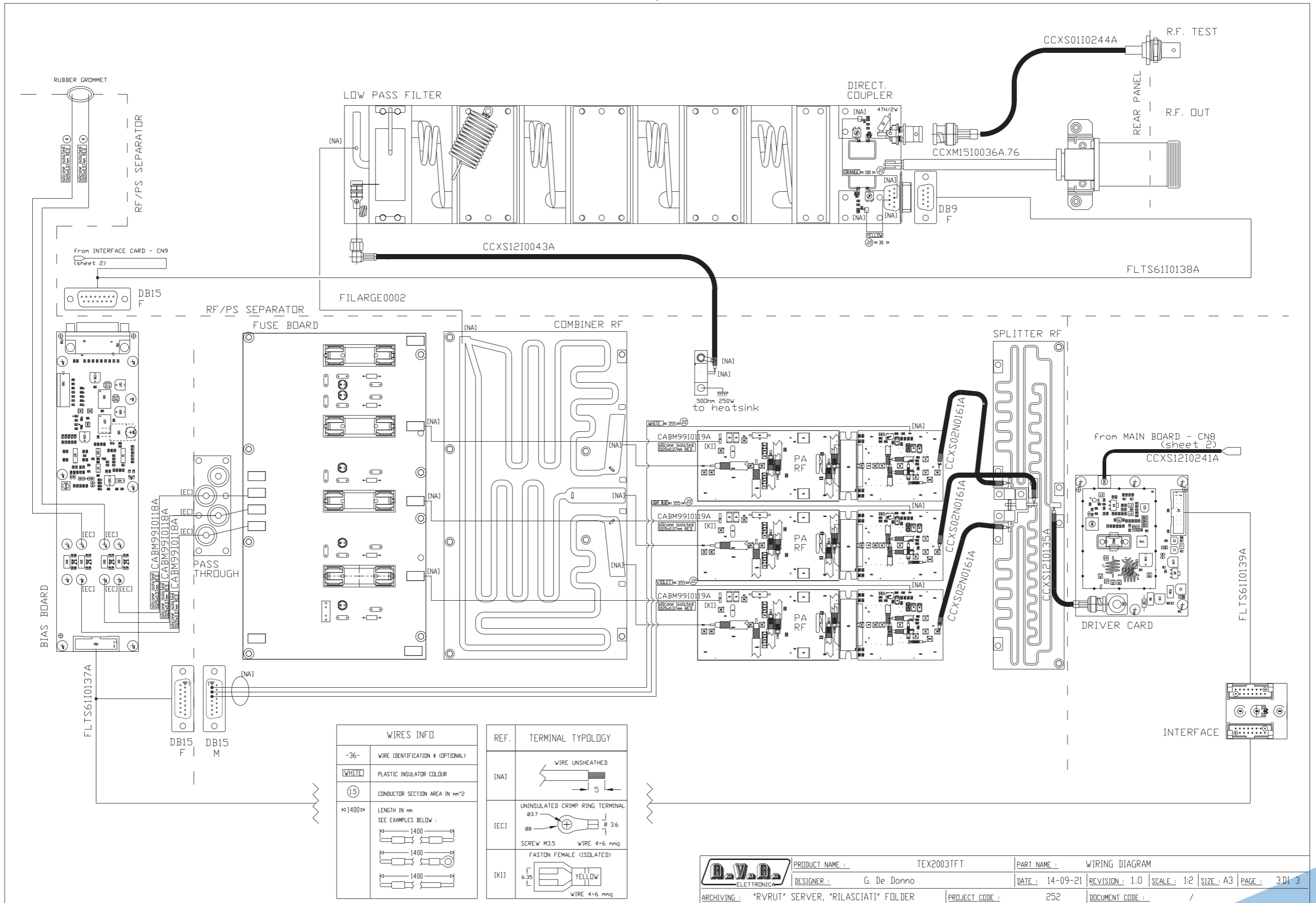
REF.	TERMINAL TYPOLOGY
[BA]	BOOTLACE FERRULES (SINGLE WIRE) AZURE WIRE 0.1+0.3 mmq
[BC]	BOOTLACE FERRULES (SINGLE WIRE) WHITE WIRE 0.3+0.5 mmq
[BG]	BOOTLACE FERRULES (SINGLE WIRE) BLUE WIRE 2.5 mmq
[EE]	UNINSULATED CRIMP RING TERMINAL Ø5.3 Ø9 SCREW M5 WIRE 4+6 mmq INSULATE WITH HEAT SHRINK SLEEVE D5
[EF]	UNINSULATED CRIMP RING TERMINAL Ø3.7 Ø8 SCREW M3.5 WIRE 1.5+2.5 mmq INSULATE WITH HEAT SHRINK SLEEVE D5
[JG]	FASTON MALE 6.35 WIRE 0.25+1.5 mmq
[GA]	UNINSULATED CRIMP SPADE Ø4 7.5 YELLOW Ø6.7 SCREW M4 WIRE min.4mmq non.6mmq
[KG]	FASTON FEMALE (ISOLATED) 6.35 RED WIRE 0.25+1.5 mmq
[KH]	FASTON FEMALE (ISOLATED) 6.35 BLUE WIRE 1.5+2.5 mmq
[LA]	ANGLED FASTON FEMALE (90°) 6.3 WIRE 0.5+1 mmq
[NA]	WIRE UNSHEATHED 5
MBC	LUMBERG cod. 3114-2P pz.1 LUMBERG cod. 3111-01 pz.2
WR-WTB	Wurth WR-WTB series cod. 661002151922

WIRES INFO	
-36-	WIRE IDENTIFICATION # (OPTIONAL)
WHITE	PLASTIC INSULATOR COLOUR
1.5	CONDUCTOR SECTION AREA IN mm ²
≧1400	LENGTH IN mm SEE EXAMPLES BELOW:
[#]	BRAIDED PET CABLE SLEEVE

PRODUCT NAME: TEX2003TFT **PART NAME:** WIRING DIAGRAM
DESIGNER: G. De Donno **DATE:** 14-09-21 **REVISION:** 1.0 **SCALE:** 1:2 **SIZE:** A3 **PAGE:** 1 Di 3
ARCHIVING: "RVRT" SERVER, "RILASCIATI" FOLDER **PROJECT CODE:** 252 **DOCUMENT CODE:** /

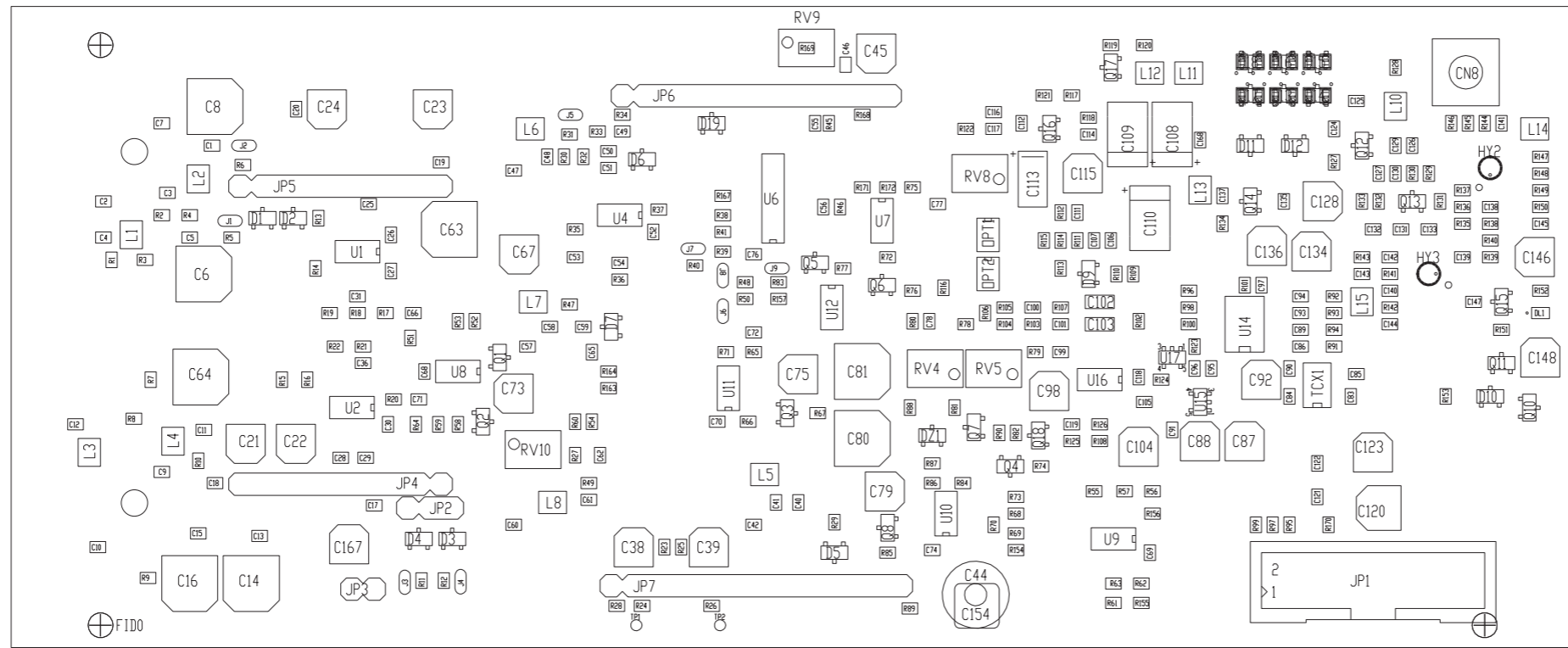
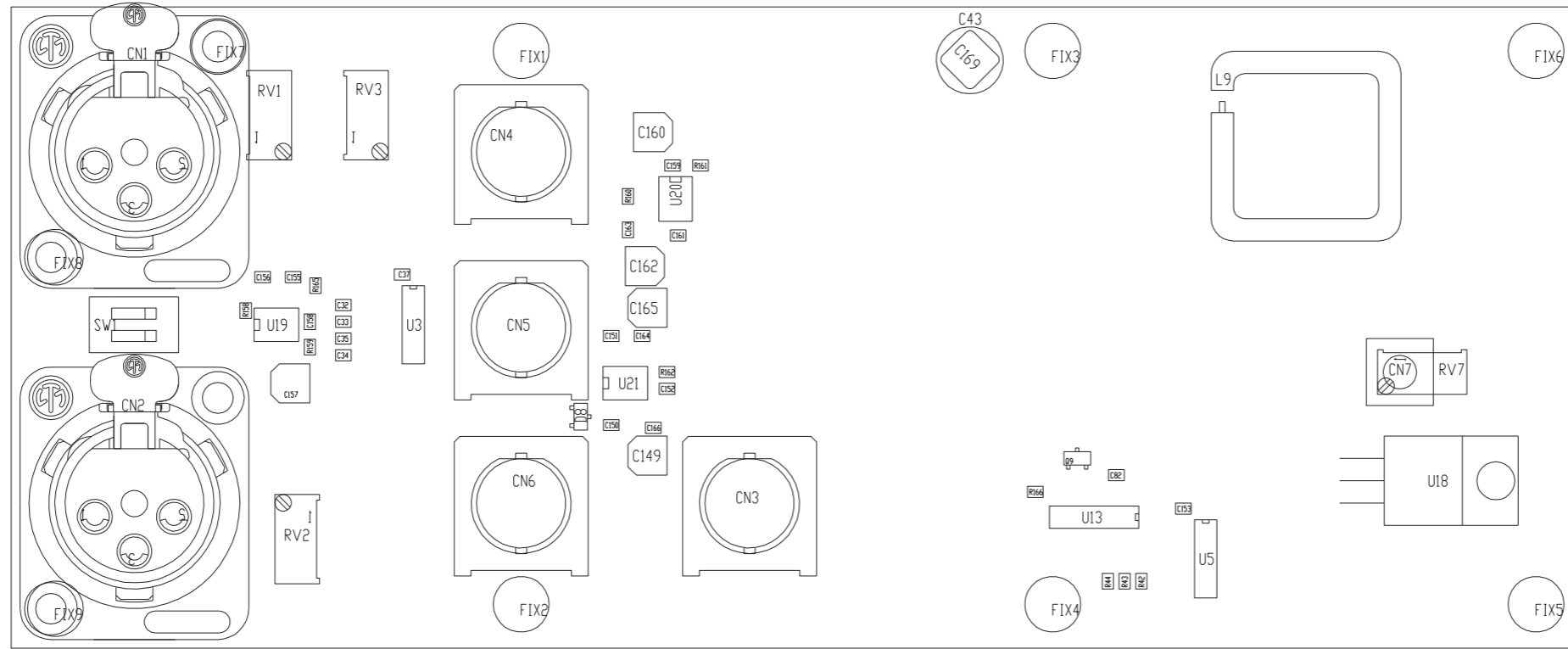


	PRODUCT NAME :	TEX2003TFT	PART NAME :	WIRING DIAGRAM
	DESIGNER :	G. De Donno	DATE :	14-09-21
ARCHIVING :	*RVRUT* SERVER, *RILASCIATI* FOLDER	PROJECT CODE :	252	DOCUMENT CODE :
			REVISION :	1.0
			SCALE :	1:2
			SIZE :	A3
			PAGE :	2 DI 3



WIRES INFO		REF.	TERMINAL TYPOLOGY
-36-	WIRE IDENTIFICATION # (OPTIONAL)		
WHITE	PLASTIC INSULATOR COLOUR	[NA]	WIRE UNSHEATHED
1.5	CONDUCTOR SECTION AREA IN mm ²		
±1400H	LENGTH IN mm SEE EXAMPLES BELOW:	[EC]	UNINSULATED CRIMP RING TERMINAL Ø3.7 Ø8 Ø 3.6
			SCREW M3.5 WIRE 4+6 mmq
		[KI]	FASTON FEMALE (ISOLATED)
			YELLOW WIRE 4+6 mmq

	PRODUCT NAME : TEX2003TFT	PART NAME : WIRING DIAGRAM			
	DESIGNER : G. De Donno	DATE : 14-09-21	REVISION : 1.0	SCALE : 1:2	SIZE : A3
ARCHIVING : "RVRUT" SERVER, "RILASCIATI" FOLDER	PROJECT CODE : 252	DOCUMENT CODE : /			



PRODUCT NAME : TEX-TFT

DESIGNER : FRANCESCHI A.

ARCHIVING : "RVRUT" SERVER, "RILASCIATI" FOLDER

PART NAME : MAIN BOARD

DATE : 18/08/21

REVISION : 1.0

SCALE : 1:1

SIZE : A4

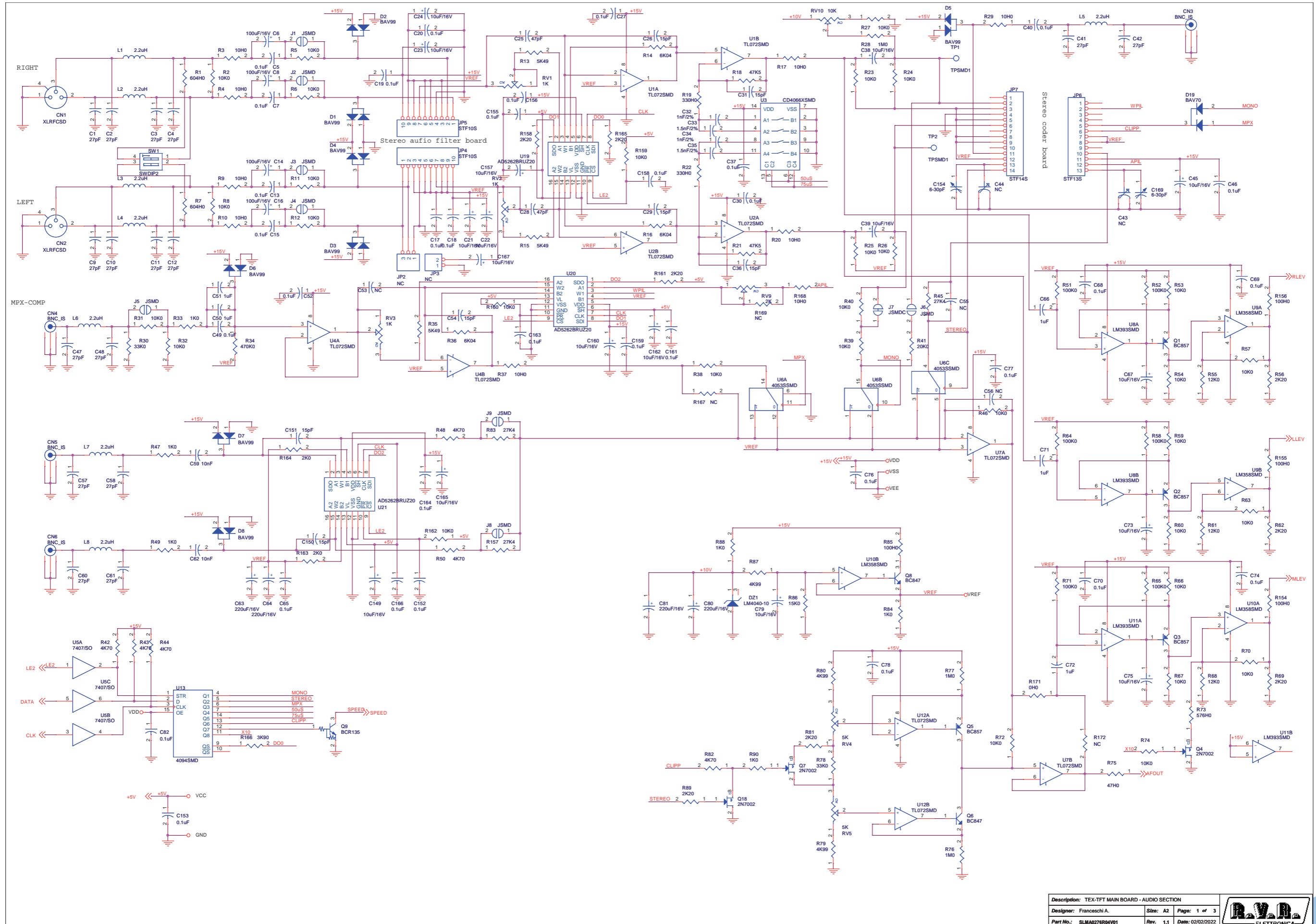
PAGE : 1

DI : 1

PROJECT CODE : 252

DOCUMENT CODE : SLMA0276R04V**

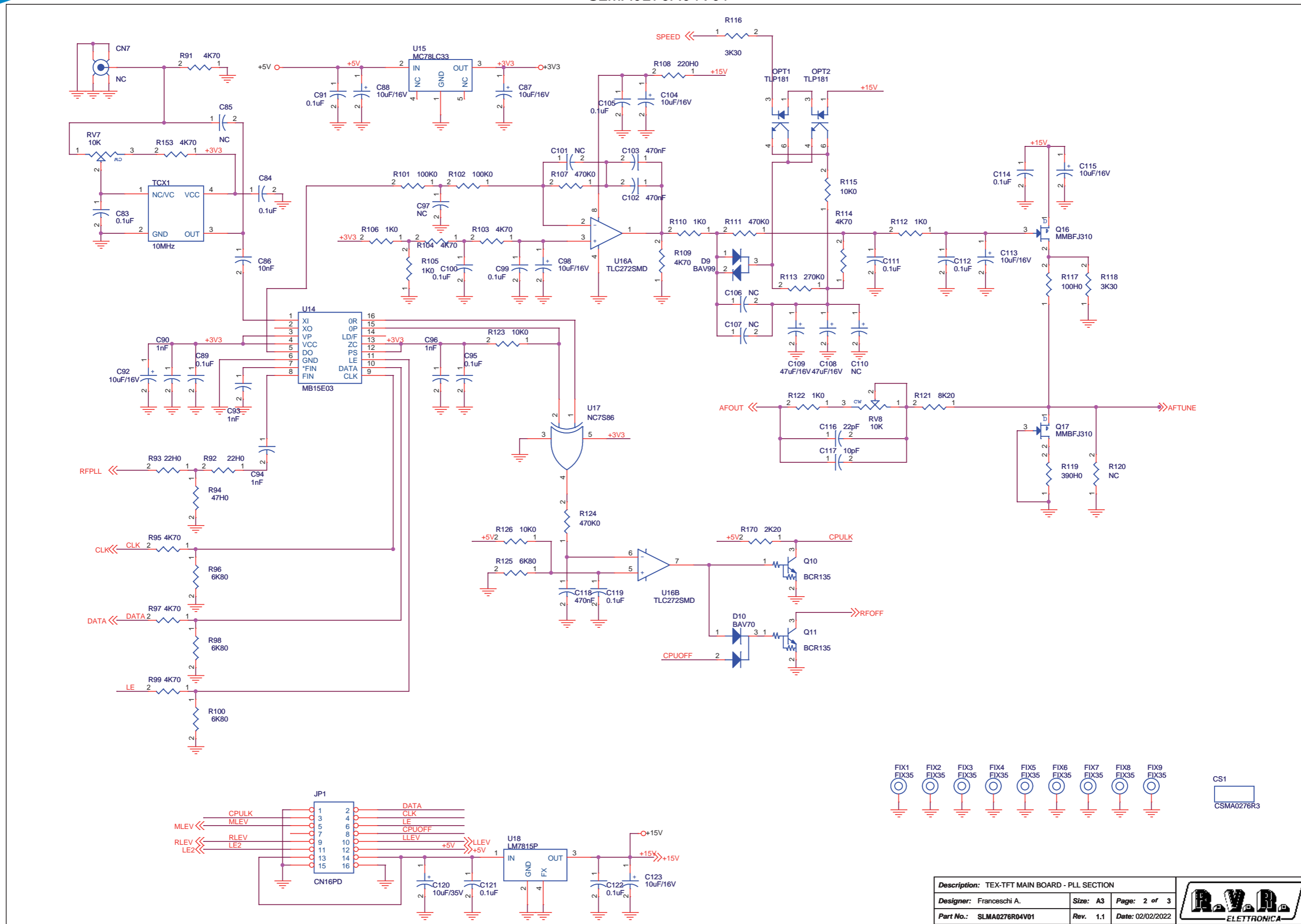
SLMA0276R04V01



Description: TEX-TFT MAIN BOARD - AUDIO SECTION		
Designer: Franceschi A.	Size: A2	Page: 1 of 3
Part No.: SLMA0276R04V01	Rev. 1.1	Date: 02/02/2022



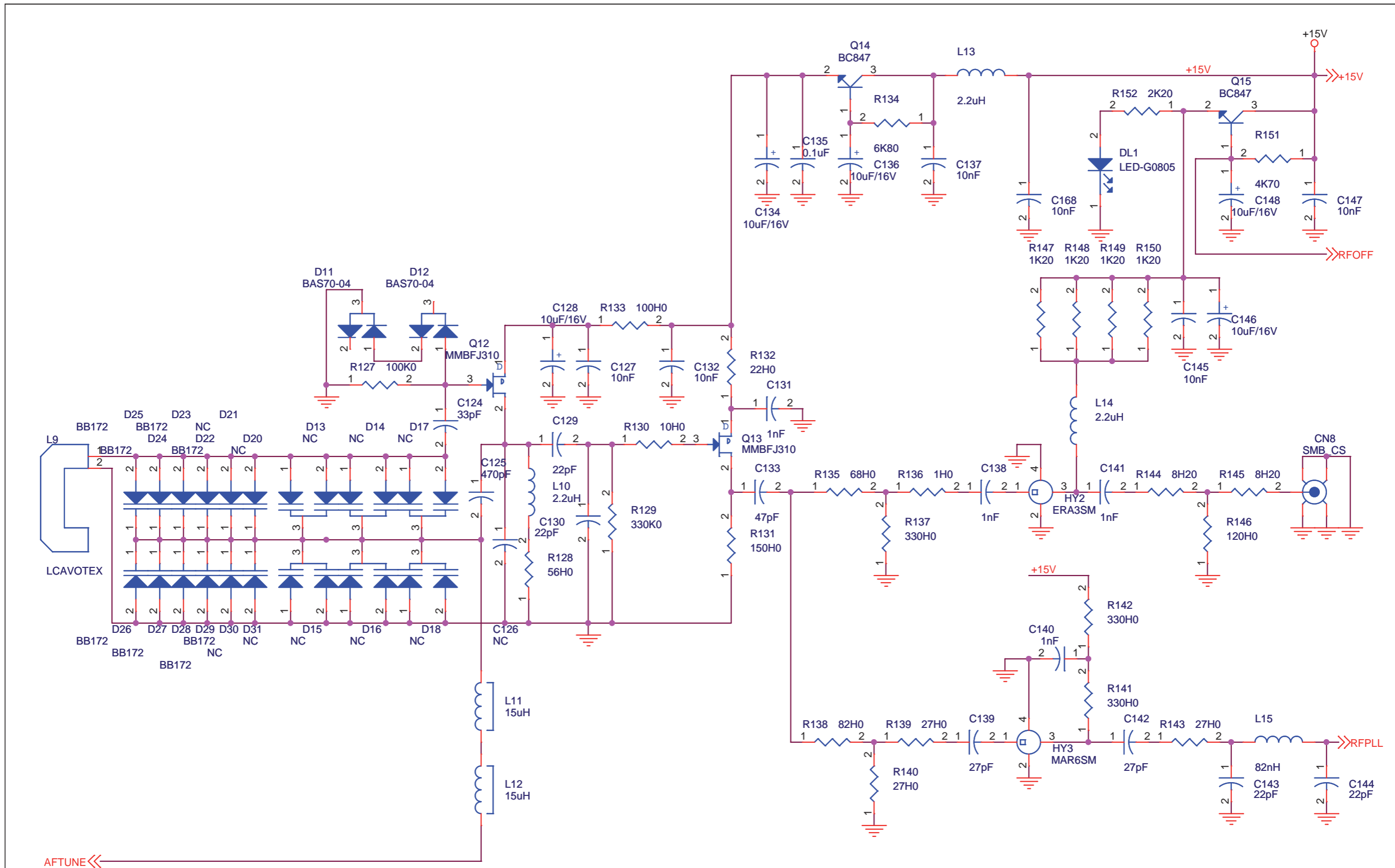
SLMA0276R04V01



Description: TEX-TFT MAIN BOARD - PLL SECTION		
Designer: Franceschi A.	Size: A3	Page: 2 of 3
Part No.: SLMA0276R04V01	Rev. 1.1	Date: 02/02/2022



SLMA0276R04V01



AFTUNE <<

Description: TEX-TFT MAIN BOARD - VCO DRV SECTION		
Designer: Franceschi A.	Size: A4	Page: 3 of 3
Part No.: SLMA0276R04V01	Rev. 1.1	Date: 02/02/2022



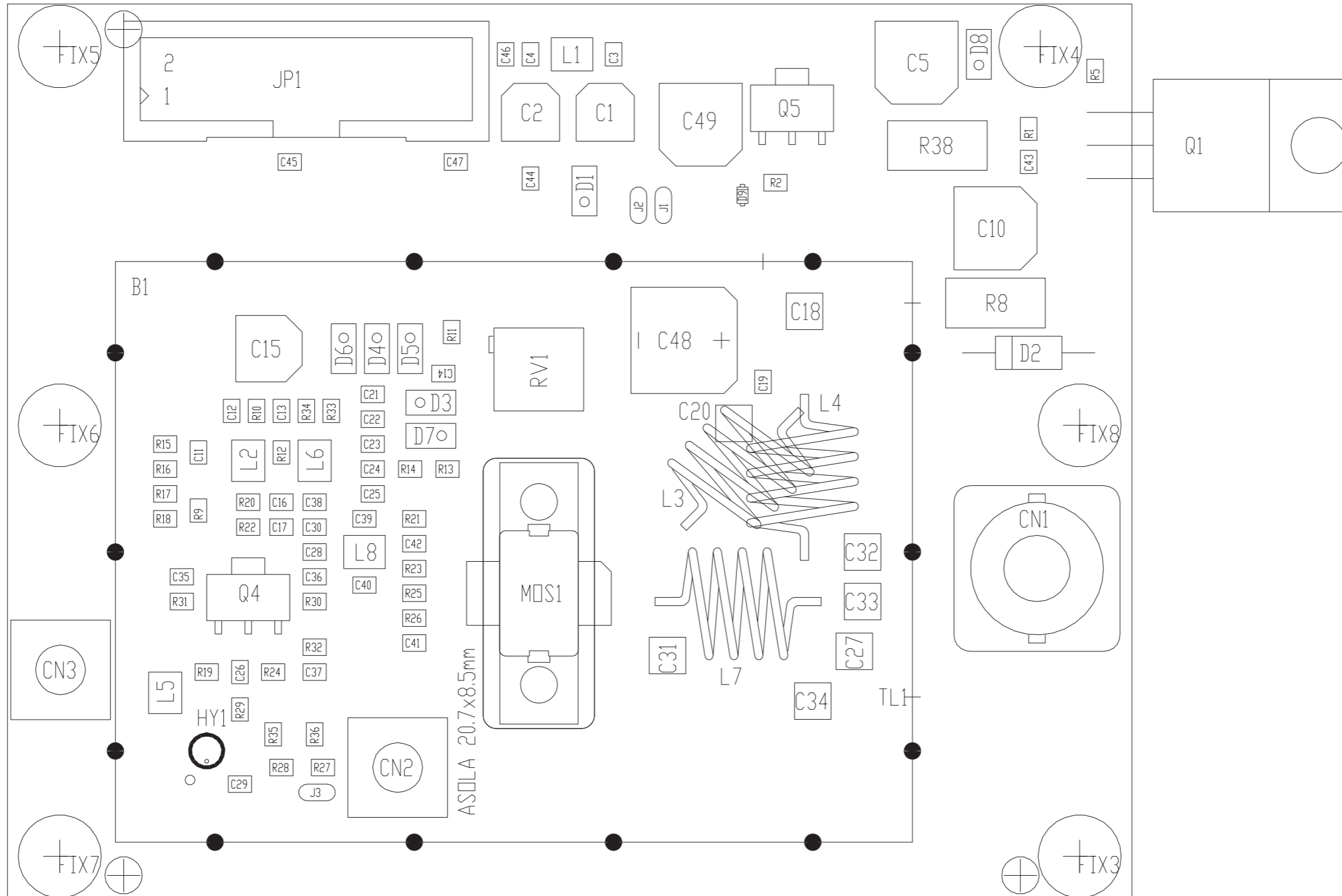
SLMA0276R04V01

TEX-TFT MAIN BOARD Revised: 02/02/2022
 SLMA0276R04V01 Revision: 1.1
 Franceschi A.

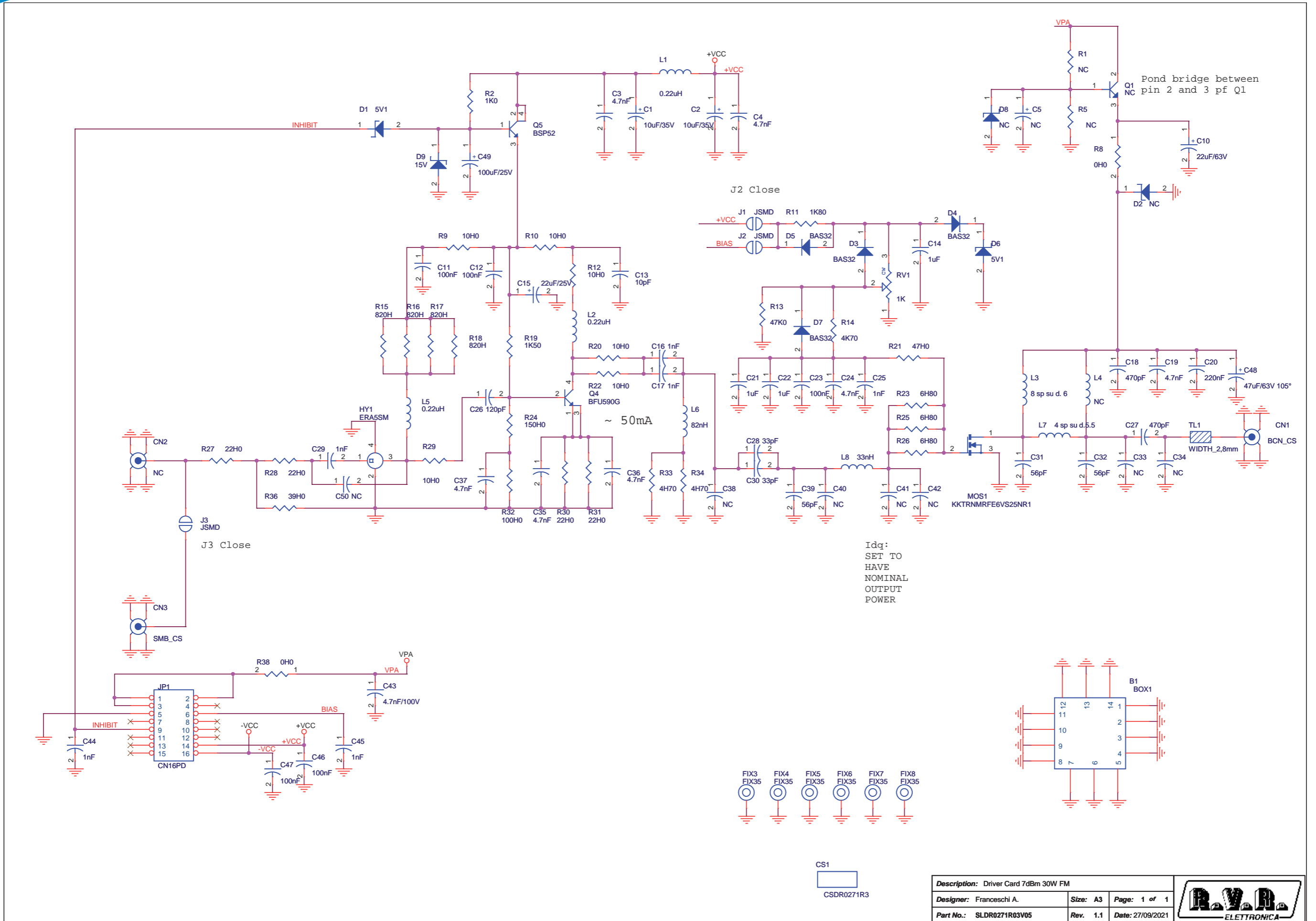
Item	Quantity	Reference	Part	Description
1	2	CN1, CN2	XLRFCSD	XLR fem. PCB conn.
2	4	CN3, CN4, CN5, CN6	BNC_IS	Metal BNC conn.
3	1	CN7	NC	SMB pcb conn.
4	1	CN8	SMB_CS	SMB pcb conn.
5	1	CS1	CSMA0276R3	Printed Circuit board
6	18	C1, C2, C3, C4, C9, C10, C11, C12, C41, C42, C47, C48, C57, C58, C60, C61, C139, C142	27pF	0805 SMD capacitor
7	49	C5, C7, C13, C15, C17, C18, C19, C20, C27, C30, C37, C40, C46, C49, C52, C65, C68, C69, 0.1uF C70, C74, C76, C77, C78, C82, C83, C84, C89, C91, C95, C99, C100, C105, C111, C112, C114, C119, C121, C122, C135, C152, C153, C155, C156, C158, C159, C161, C163, C164, C166	0.1uF	0805 SMD capacitor
8	4	C6, C8, C14, C16	100uF/16V	SMD electr. cap. 6.3mm
9	29	C21, C22, C23, C24, C38, C39, C45, C67, C73, C75, C79, C87, C88, C92, C98, C104, C115, 10uF/16V C123, C128, C134, C136, C146, C148, C149, C157, C160, C162, C165, C167	10uF/16V	SMD electr. cap. 4mm
10	3	C25, C28, C133	47pF	0805 SMD capacitor
11	7	C26, C29, C31, C36, C54, C150, C151	15pF	0805 SMD capacitor
12	2	C32, C34	1nF/2%	0805 COG SMD capacitor
13	2	C33, C35	1.5nF/2%	0805 COG SMD capacitor
14	2	C43, C44	NC	Ceramic comp. dia. 7mm
15	5	C50, C51, C66, C71, C72	1uF	0805 SMD capacitor
16	9	C53, C55, C56, C85, C97, C101, C106, C107, C126	NC	0805 SMD capacitor
17	9	C59, C62, C86, C127, C132, C137, C145, C147, C168	10nF	0805 SMD capacitor
18	4	C63, C64, C80, C81	220uF/16V	SMD electr. cap. 6.3mm
19	8	C90, C93, C94, C96, C131, C138, C140, C141	1nF	0805 SMD capacitor
20	2	C102, C103	470nF	1206 SMD capacitor
21	2	C108, C109	47uF/16V	SMD tantalium cap. size D
22	1	C110	NC	SMD tantalium cap. size D
23	1	C113	10uF/16V	SMD tantalium cap. size C
24	5	C116, C129, C130, C143, C144	22pF	0805 SMD capacitor
25	1	C117	10pF	0805 SMD capacitor
26	1	C118	470nF	0805 SMD capacitor
27	1	C120	10uF/35V	SMD electr. cap. 5mm
28	1	C124	33pF	0805 SMD capacitor
29	1	C125	470pF	0805 SMD capacitor
30	2	C154, C169	6-30pF	Var. comp. Murata TZB4A
31	1	DL1	LED-G0805	Green LED SMD 0805
32	1	DZ1	LM4040-10	SMD SOT23 precision Zener
33	9	D1, D2, D3, D4, D5, D6, D7, D8, D9	BAV99	Dual diode SMD SOT23
34	2	D10, D19	BAV70	Dual diode SMD SOT23
35	2	D11, D12	BAS70-04	Dual diode SMD SOT23
36	6	D13, D14, D15, D16, D17, D18	NC	Dual diode Varicap SMD SOT23
37	4	D20, D21, D30, D31	NC	Varicap diode SOD323
38	8	D22, D23, D24, D25, D26, D27, D28, D29	BB172	Varicap diode SOD323
39	9	FIX1, FIX2, FIX3, FIX4, FIX5, FIX6, FIX7, FIX8, FIX9	FIX35	3.5mm Fixing hole
40	1	HY2	ERA3SM	Hybrid MAR/ERA
41	1	HY3	MAR6SM	Hybrid MAR/ERA
42	1	JP1	CN16PD	16 way pcb conn. with holder
43	1	JP2	NC	Male strip 3 pin
44	1	JP3	NC	Male strip 2 pin
45	2	JP4, JP5	STF10S	Female strip 10 pin
46	1	JP6	STF13S	Female strip 13 pin
47	1	JP7	STF14S	Female strip 14 pin
48	8	J1, J2, J3, J4, J5, J6, J8, J9	JSMDC	2 pad SMD jumper
49	1	J7	JSMDC	2 pad SMD jumper closed
50	11	L1, L2, L3, L4, L5, L6, L7, L8, L10, L13, L14	2.2uH	SMD inductor 3225 (1210)
51	1	L9	LCAVOTEX	Inductor Cable for TEX
52	2	L11, L12	15uH	SMD inductor 3225 (1210) shielded
53	1	L15	82nH	SMD inductor 3225 (1210)
54	2	OPT1, OPT2	TLP181	Optocoupler SMD SO6
55	4	Q1, Q2, Q3, Q5	BC857	PNP trans. SOT23
56	3	Q4, Q7, Q18	2N7002	Trans. FET SOT23
57	4	Q6, Q8, Q14, Q15	BC847	NPN trans. SOT23
58	3	Q9, Q10, Q11	BCR135	Digital NPN trans. SOT23
59	4	Q12, Q13, Q16, Q17	MMBFJ310	Trans. FET SOT23
60	3	RV1, RV2, RV3	1K	Trimmer Rg V 3296W
61	2	RV4, RV5	5K	Trimmer Rg V 3269W SMD
62	1	RV7	10K	Trimmer Rg V 3296W
63	2	RV8, RV10	10K	Trimmer Rg V 3269W SMD
64	1	RV9	2K	Trimmer Rg V 3269W SMD

Item	Quantity	Reference	Part	Description
65	2	R1, R7	604H0	0805 SMD res.
66	34	R2, R5, R6, R8, R11, R12, R23, R24, R25, R26, R27, R31, R32, R38, R39, R40, R46, R53, R54, R57, R59, R60, R63, R66, R67, R70, R72, R74, R115, R123, R126, R159, R160, R162	10K0	0805 SMD res.
67	10	R3, R4, R9, R10, R17, R20, R29, R37, R130, R168	10H0	0805 SMD res.
68	3	R13, R15, R35	5K49	0805 SMD res.
69	3	R14, R16, R36	6K04	0805 SMD res.
70	2	R18, R21	47K5	0805 SMD res.
71	5	R19, R22, R137, R141, R142	330H0	0805 SMD res.
72	3	R28, R76, R77	1M0	0805 SMD res.
73	2	R30, R78	33K0	0805 SMD res.
74	11	R33, R47, R49, R84, R88, R90, R105, R106, R110, R112, R122	1K0	0805 SMD res.
75	4	R34, R107, R111, R124	470K0	0805 SMD res.
76	1	R41	20K0	0805 SMD res.
77	16	R42, R43, R44, R48, R50, R82, R91, R95, R97, R99, R103, R104, R109, R114, R151, R153	4K70	0805 SMD res.
78	3	R45, R83, R157	27K4	0805 SMD res.
79	9	R51, R52, R58, R64, R65, R71, R101, R102, R127	100K0	0805 SMD res.
80	3	R55, R61, R68	12K0	0805 SMD res.
81	10	R56, R62, R69, R81, R89, R152, R158, R161, R165, R170	2K20	0805 SMD res.
82	1	R73	576H0	0805 SMD res.
83	2	R75, R94	47H0	0805 SMD res.
84	3	R79, R80, R87	4K99	0805 SMD res.
85	6	R85, R117, R133, R154, R155, R156	100H0	0805 SMD res.
86	1	R86	15K0	0805 SMD res.
87	3	R92, R93, R132	22H0	0805 SMD res.
88	5	R96, R98, R100, R125, R134	6K80	0805 SMD res.
89	1	R108	220H0	0805 SMD res.
90	1	R113	270K0	0805 SMD res.
91	2	R116, R118	3K30	0805 SMD res.
92	1	R119	390H0	0805 SMD res.
93	4	R120, R167, R169, R172	NC	0805 SMD res.
94	1	R121	8K20	0805 SMD res.
95	1	R128	56H0	0805 SMD res.
96	1	R129	330K0	0805 SMD res.
97	1	R131	150H0	0805 SMD res.
98	1	R135	68H0	0805 SMD res.
99	1	R136	1H0	0805 SMD res.
100	1	R138	82H0	0805 SMD res.
101	3	R139, R140, R143	27H0	0805 SMD res.
102	2	R144, R145	8H20	0805 SMD res.
103	1	R146	120H0	0805 SMD res.
104	4	R147, R148, R149, R150	1K20	0805 SMD res.
105	2	R163, R164	2K0	0805 SMD res.
106	1	R166	3K90	0805 SMD res.
107	1	R171	0H0	0805 SMD res.
108	1	SW1	SWDIP2	2 ways switch slide dip
109	1	TCX1	10MHz	TCXO SMD 5x3.2mm
110	2	TP1, TP2	TPSMD1	Piazzola SMD d.1mm
111	5	U1, U2, U4, U7, U12	TLO72SMD	Dual Op. SMD SO8
112	1	U3	CD4066XSMD	Analog Switch SMD SO14
113	1	U5	7407/SO	Hex buffer OC SMD SO14
114	1	U6	4053SSMD	Analog Switch SMD SO16
115	2	U8, U11	LM393SMD	Dual Comp. SMD SO8
116	2	U9, U10	LM358SMD	Dual Op. SMD SO8
117	1	U13	4094SMD	Shift Reg. SMD SO16
118	1	U14	MB15E03	Integrated PLL
119	1	U15	MC78LC33	Stab. SMD SOT23-5
120	1	U16	TLC272SMD	Dual Op. SMD SO8
121	1	U17	NC7586	XOR Port
122	1	U18	LM7815P	Voltage reg. TO220
123	3	U19, U20, U21	AD5262BRUZZ0	Dual 256 pos. dig. pot.

SLDR0271R03V05



PRODUCT NAME : TEX-TFT	PART NAME : DRIVER CARD 50V 30W 7DBM FM
DESIGNER : FRANCESCHI A.	DATE : 09/09/21 REVISION : 1.0 SCALE : 2:1 SIZE : A4 PAGE : 1 DI : 1
ARCHIVING : "RVTRUT" SERVER, "RILASCIATI" FOLDER	PROJECT CODE : 252 DOCUMENT CODE : SLDR0271R03V05



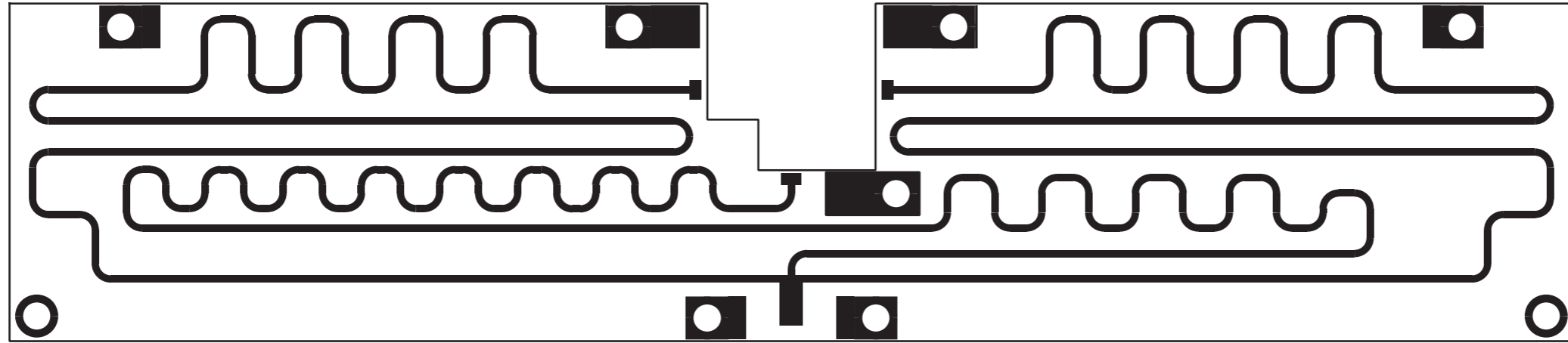
Description: Driver Card 7dBm 30W FM		
Designer: Franceschi A.	Size: A3	Page: 1 of 1
Part No.: SLDR0271R03V05	Rev.: 1.1	Date: 27/09/2021



SLDR0271R03V05

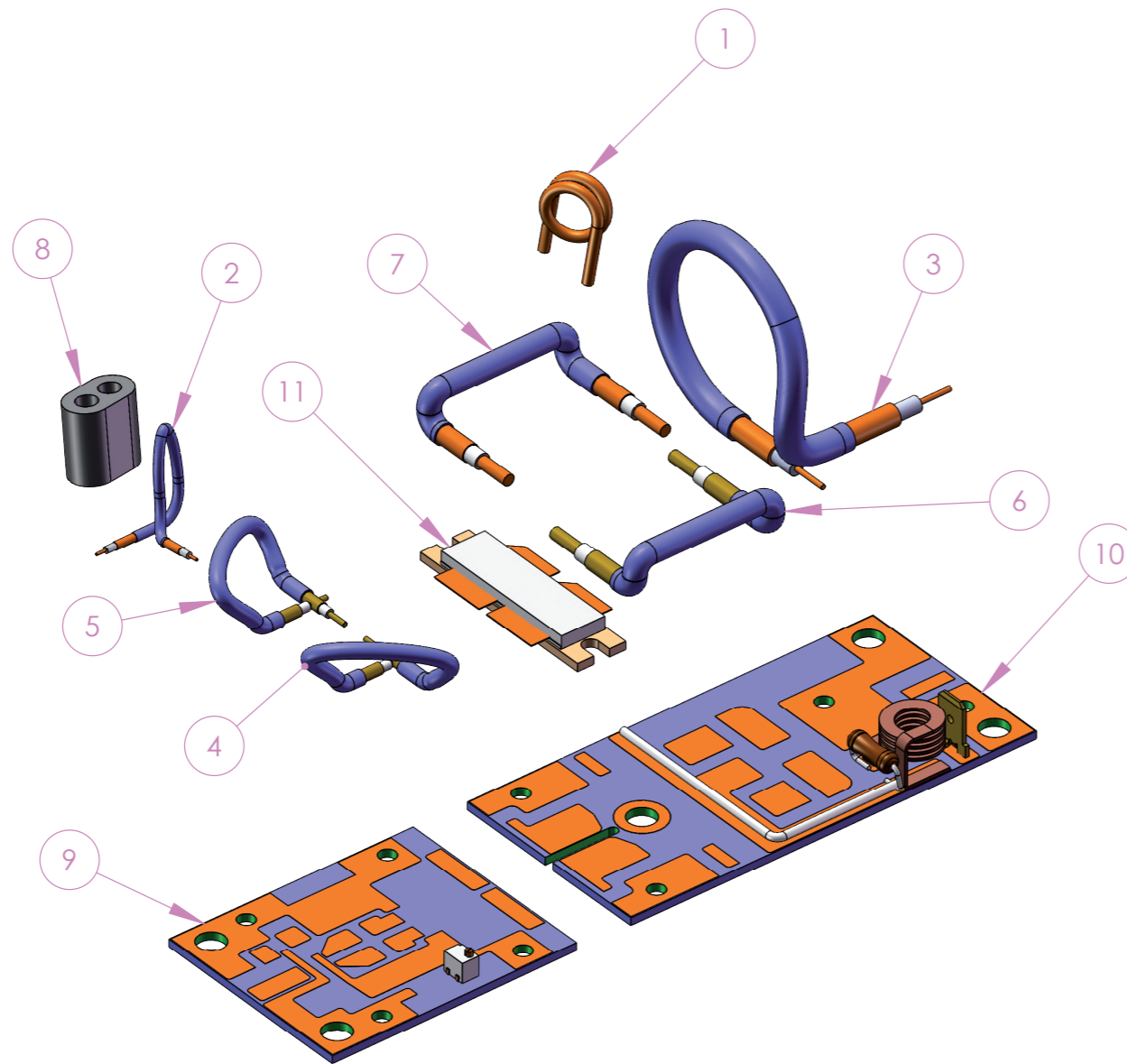
Driver Card 7dBm 30W FM Revised: 27/09/2021
 SLDR0271R03V05 Revision: 1.1
 Franceschi A.

Item	Quantity	Reference	Part	Description
1	1	B1	BOX1	Shielded box
2	1	CN1	BCN_CS	BNC conn. 10x10 PCB
3	1	CN2	NC	SMB pcb conn.
4	1	CN3	SMB_CS	SMB pcb conn.
5	1	CS1	CSDR0271R3	Printed Circuit board
6	2	C1, C2	10uF/35V	SMD electr. cap. 4mm
7	7	C3, C4, C19, C24, C35, C36, C37	4.7nF	0805 SMD capacitor
8	1	C5	NC	SMD electr. cap. 6.3mm
9	1	C10	22uF/63V	SMD electr. cap. 6.3mm
10	5	C11, C12, C23, C46, C47	100nF	0805 SMD capacitor
11	1	C13	10pF	0805 SMD capacitor
12	3	C14, C21, C22	1uF	0805 SMD capacitor
13	1	C15	22uF/25V	SMD electr. cap. 5mm
14	6	C16, C17, C25, C29, C44, C45	1nF	0805 SMD capacitor
15	2	C18, C27	470pF	1212 HQ SMD capacitor
16	1	C20	220nF	1210 SMD capacitor
17	1	C26	120pF	0805 SMD capacitor
18	2	C28, C30	33pF	0805 SMD capacitor
19	2	C31, C32	56pF	1212 HQ SMD capacitor
20	2	C33, C34	NC	1212 HQ SMD capacitor
21	5	C38, C40, C41, C42, C50	NC	
22	1	C39	56pF	0805 SMD capacitor
23	1	C43	4.7nF/100V	0805 SMD capacitor
24	1	C48	47uF/63V 105°	SMD electr. cap. 8mm
25	1	C49	100uF/25V	SMD electr. cap. 6.3mm
26	2	D1, D6	5V1	MINIMELF SMD Zener Diode
27	1	D2	NC	1W Zener Diode
28	4	D3, D4, D5, D7	BAS32	MINIMELF SMD Diode
29	1	D8	NC	MINIMELF SMD Zener Diode
30	1	D9	15V	SOD523 Zener Diode
31	6	FIX3, FIX4, FIX5, FIX6, FIX7, FIX8	FIX35	3.5mm Fixing hole
32	1	HY1	ERA5SM	Hybrid MAR/ERA
33	1	JP1	CN16PD	16 way pcb conn. with holder
34	3	J1, J2, J3	JSMD	2 pad SMD jumper
35	3	L1, L2, L5	0.22uH	SMD inductor 3225 (1210)
36	1	L3	8 sp su d. 6	Bobina avvolta in aria
37	1	L4	NC	Bobina avvolta in aria
38	1	L6	82nH	SMD inductor 3225 (1210)
39	1	L7	4 sp su d.5.5	Bobina avvolta in aria
40	1	L8	33nH	SMD inductor 3225 (1210)
41	1	MOS1	KKTRNMRFE6VS25NR1	RF POWER MOS
42	1	Q1	NC	NPN trans. TO220
43	1	Q4	BFU590G	NPN trans. SOT223
44	1	Q5	BSP52	NPN trans. SOT223
45	1	RV1	1K	Trimmer Rg H 3269P SMD
46	2	R1, R5	NC	0805 1% SMD res.



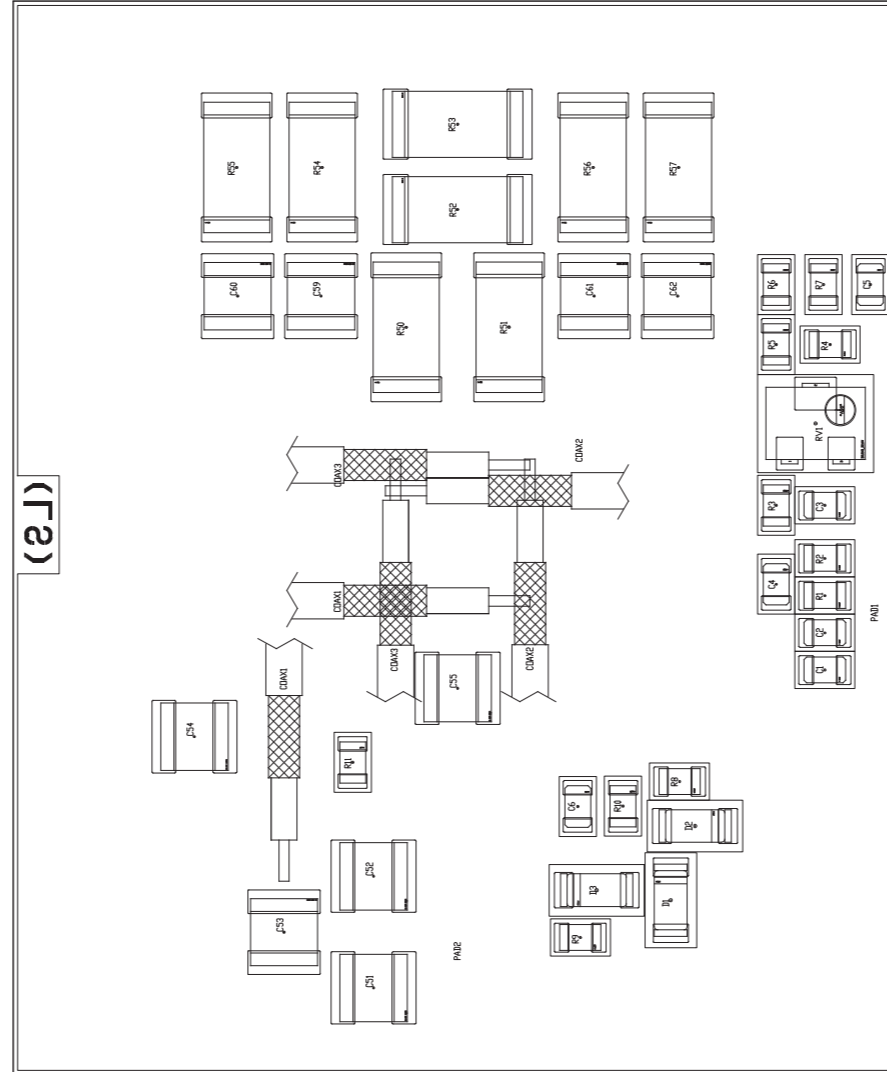
PRODUCT NAME : TEX-TFT	PART NAME : SPLITTER CARD
DESIGNER : FRANCESCHI A.	DATE : 02/11/04
ARCHIVING : 'RVRUT' SERVER, 'RILASCIATI' FOLDER	REVISION : 1.0
	SCALE : 1:1
	SIZE : A4
	PAGE : 1
	DI : 1
	DOCUMENT CODE : SLSPLEX1KL1
	PROJECT CODE : 252

SL252RF1001



Nr	Codice	Descrizione	Qta.
1	BOB01020155A	BOB.IN ARIA RAME ARG diam2 su diam8 spire 1.5	1
2	CCXS02N0237A	CAVO RG178 50H NON INTESTATO 68MM	1
3	CCXS18N0240A	CAVO RG142 50H NON INTESTATO 149MM	1
4	CCXS26N0238A_DX	CAVO HF086-25-FEP NON INTEST. 92MM	1
5	CCXS26N0238A_SX	CAVO HF086-25-FEP NON INTEST. 92MM	1
6	CCXS27N0239A_DX	CAVO HF141-12-FEP NON INTEST. 100MM	1
7	CCXS27N0239A_SX	CAVO COAX RIGIDO CAVHF141/12/FEP	1
8	FTRBALUN	FER.TOR.BALUN "MHB2-14/8.5/14-4B1"	1
9	SLRF0514R01V01	SEM.SCH.PALLET AMP 800W FM INP.	1
10	SLRF0515R01V01	SEM.SCH.PALLET PA RF 850W SEZ.OUTPUT	1
11	TRNBLF188XR	TRANSISTOR TRNBLF188XR	1

	PROFILE:	DESCRIPTION: SEM.SCH.PALLET AMP 850W FM		
	MATERIAL:	CODE: SL252RF1001	AUTHOR: UT2	
GENERAL TOLERANCE UNI ISO 2768-f	TREATMENT:	DATE: 28/07/2021	PROJECT N°: E&C	
		SCALE: A3	FORMAT: A3	PAGE: 1/1



PRODUCT NAME : <>

DESIGNER : A. FRANCESCHI

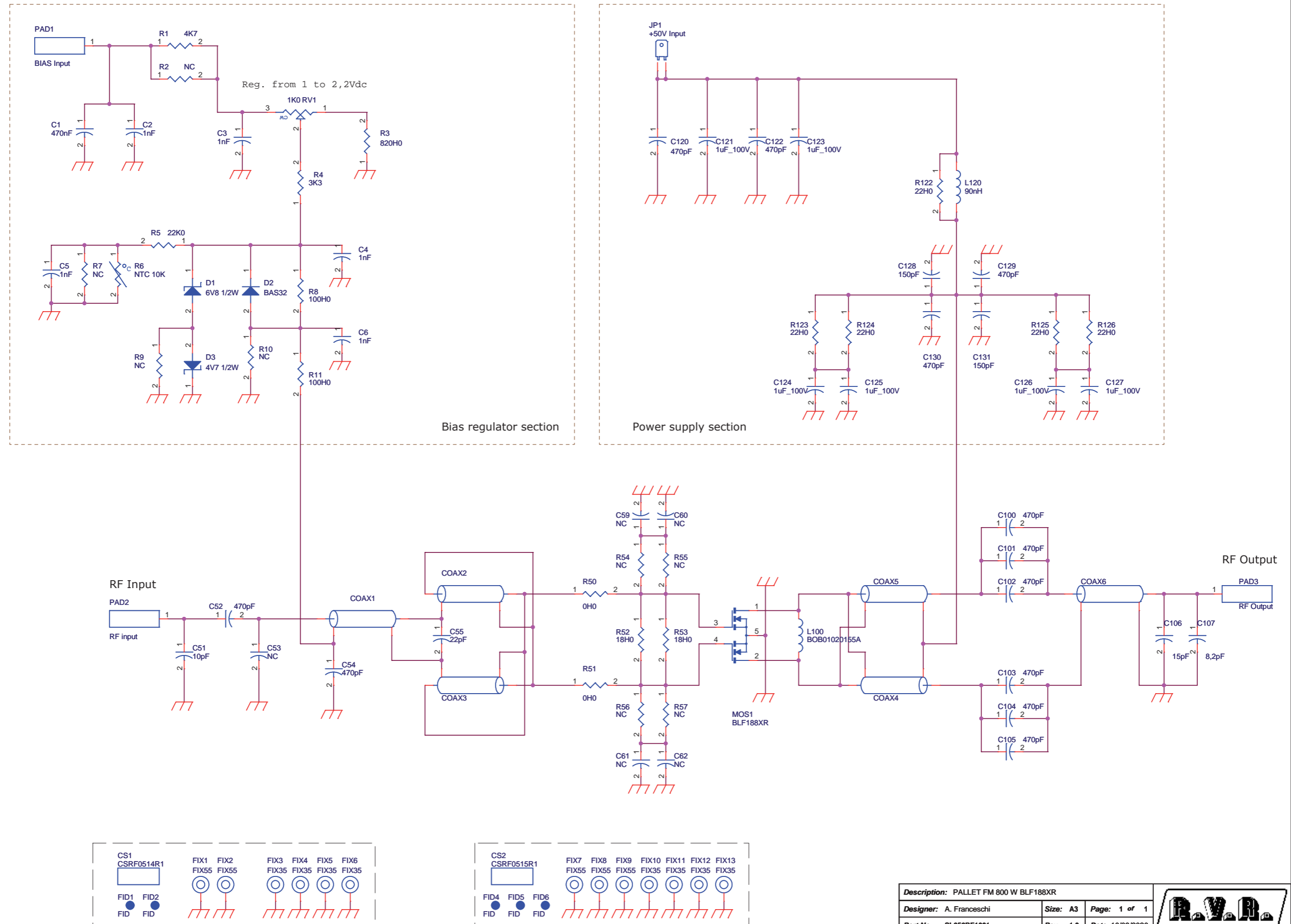
ARCHIVING : "RVUT" SERVER, "RILASCIATI" FOLDER

PART NAME : POWER AMP 850W INPUT SECTION

DATE : 10/09/20 REVISION : 1.0 SCALE : 2:1 SIZE : A4 PAGE : 1 DI 1

PROJECT CODE : 252 DOCUMENT CODE : SL252RF1001_INPUT

SLRF0514R01V01



Description: PALLET FM 800 W BLF188XR		
Designer: A. Franceschi	Size: A3	Page: 1 of 1
Part No.: SL252RF1001	Rev.: 1.0	Date: 10/09/2020

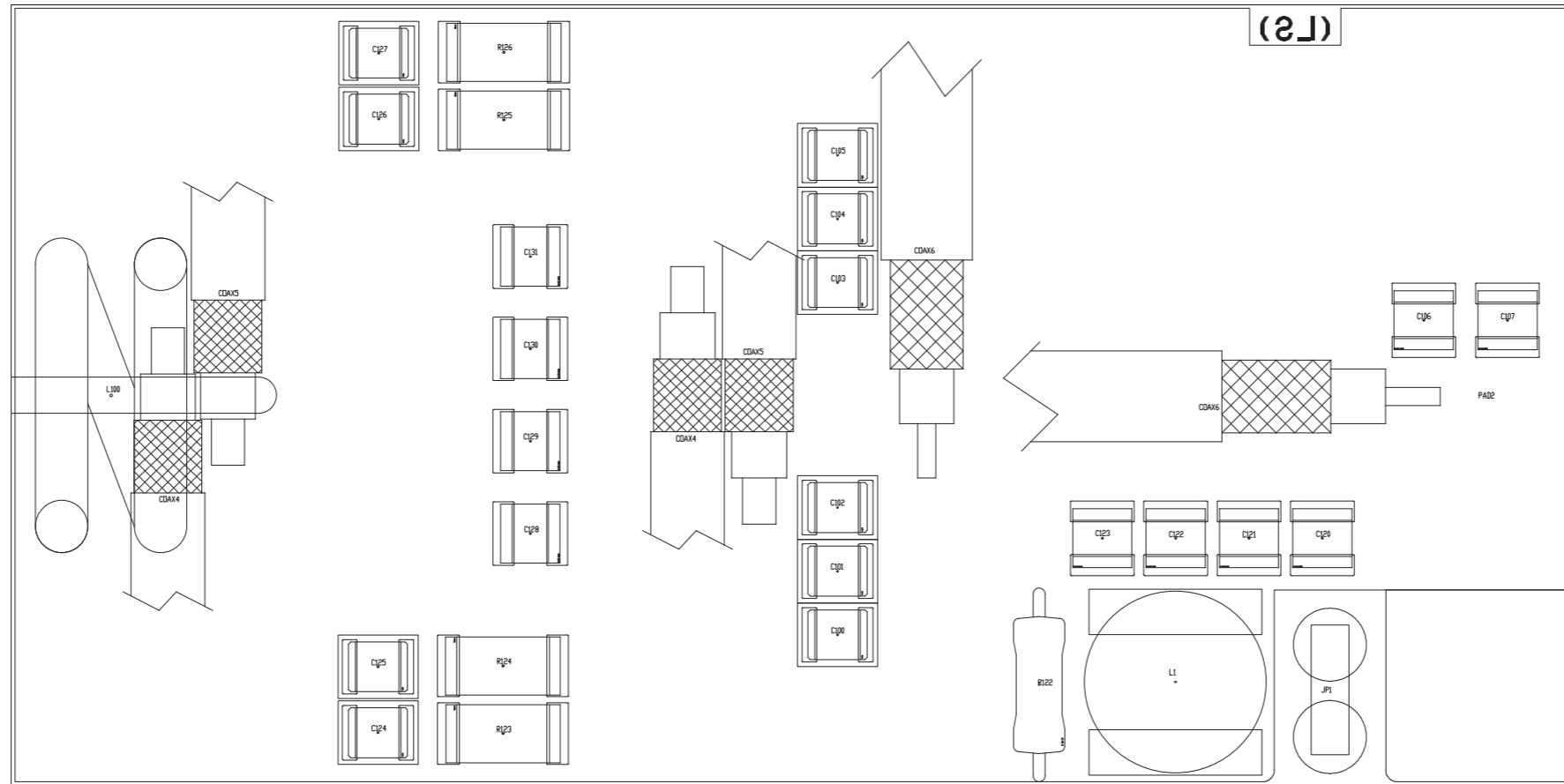


SLRF0514R01V01

PALLET FM 800 W BLF188XR Revised: Thursday, September 10, 2020
 SL252RF1001 Revision: 1.0
 A. Franceschi

Item	Quantity	Reference	Part	Description
1	1	COAX1	Cable RG178 60mm in binocolo ferrite	Cavo coax
2	2	COAX2, COAX3	Cable HF086/25/FEP - 80mm	Cavo coax
3	2	COAX4, COAX5	Cable HF141/12/FEP - 80mm	Cavo coax
4	1	COAX6	Cable RG142/50 - 125mm	Cavo coax
5	1	CS1	CSRF0514R1	Printed Circuit board
6	1	CS2	CSRF0515R1	Printed Circuit board
7	1	C1	470nF	0805 SMD capacitor
8	5	C2, C3, C4, C5, C6	1nF	0805 COG SMD capacitor
9	1	C51	10pF	1212 HQ SMD capacitor
10	2	C52, C54	470pF	1212 HQ SMD capacitor
11	5	C53, C59, C60, C61, C62	NC	1212 HQ SMD capacitor
12	1	C55	22pF	1212 HQ SMD capacitor
13	10	C100, C101, C102, C103, C104, C105, C120, C122, C129, C130	470pF	1212 HQ SMD capacitor
14	1	C106	15pF	1212 HQ SMD capacitor
15	1	C107	8,2pF	1212 HQ SMD capacitor
16	6	C121, C123, C124, C125, C126, C127	1uF_100V	1210 SMD Ceramic Capacitor
17	2	C128, C131	150pF	1212 HQ SMD capacitor
18	1	D1	6V8 1/2W	MINIMELF SMD Zener Diode
19	1	D2	BAS32	MINIMELF SMD Diode
20	1	D3	4V7 1/2W	MINIMELF SMD Zener Diode
21	5	FID1, FID2, FID4, FID5, FID6	FID	PCB fiducial
22	5	FIX1, FIX2, FIX7, FIX8, FIX9	FIX55	6mm Fixing hole
23	8	FIX3, FIX4, FIX5, FIX6, FIX10, FIX11, FIX12, FIX13	FIX35	3.5mm Fixing hole
24	1	JP1	+50V Input	PCB faston p. 5.08
25	1	L100	BOB01020155A	Cylindrical Inductor
26	1	L120	90nH	Cylindrical Inductor
27	1	MOS1	BLF188XR	PP Power mosfet RF
28	1	PAD1	BIAS Input	SMD pad
29	1	PAD2	RF input	SMD pad
30	1	PAD3	RF Output	SMD pad
31	1	RV1	1K0	Trimm. multi SMD PVG5 Murata 3224W Bourns
32	1	R1	4K7	0805 1% SMD res.
33	4	R2, R7, R9, R10	NC	0805 1% SMD res.
34	1	R3	820H0	0805 1% SMD res.
35	1	R4	3K3	0805 1% SMD res.
36	1	R5	22K0	0805 1% SMD res.
37	1	R6	NTC 10K	NTC resistor pitch 5mm
38	2	R8, R11	100H0	0805 1% SMD res.
39	2	R50, R51	0H0	2512 5% SMD res.
40	2	R52, R53	18H0	2512 5% SMD res.
41	4	R54, R55, R56, R57	NC	2512 5% SMD res.
42	1	R122	22H0	2W resistor
43	4	R123, R124, R125, R126	22H0	2512 5% SMD res.

SLRF0515R01V01



PRODUCT NAME : <>

PART NAME : POWER AMP 850W OUTPUT SECTION

DESIGNER : A. FRANCESCHI

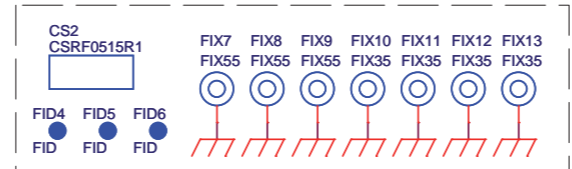
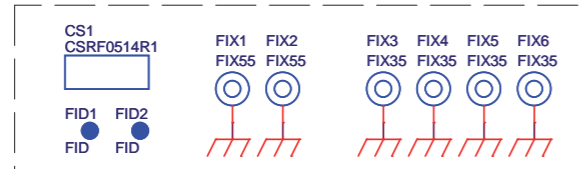
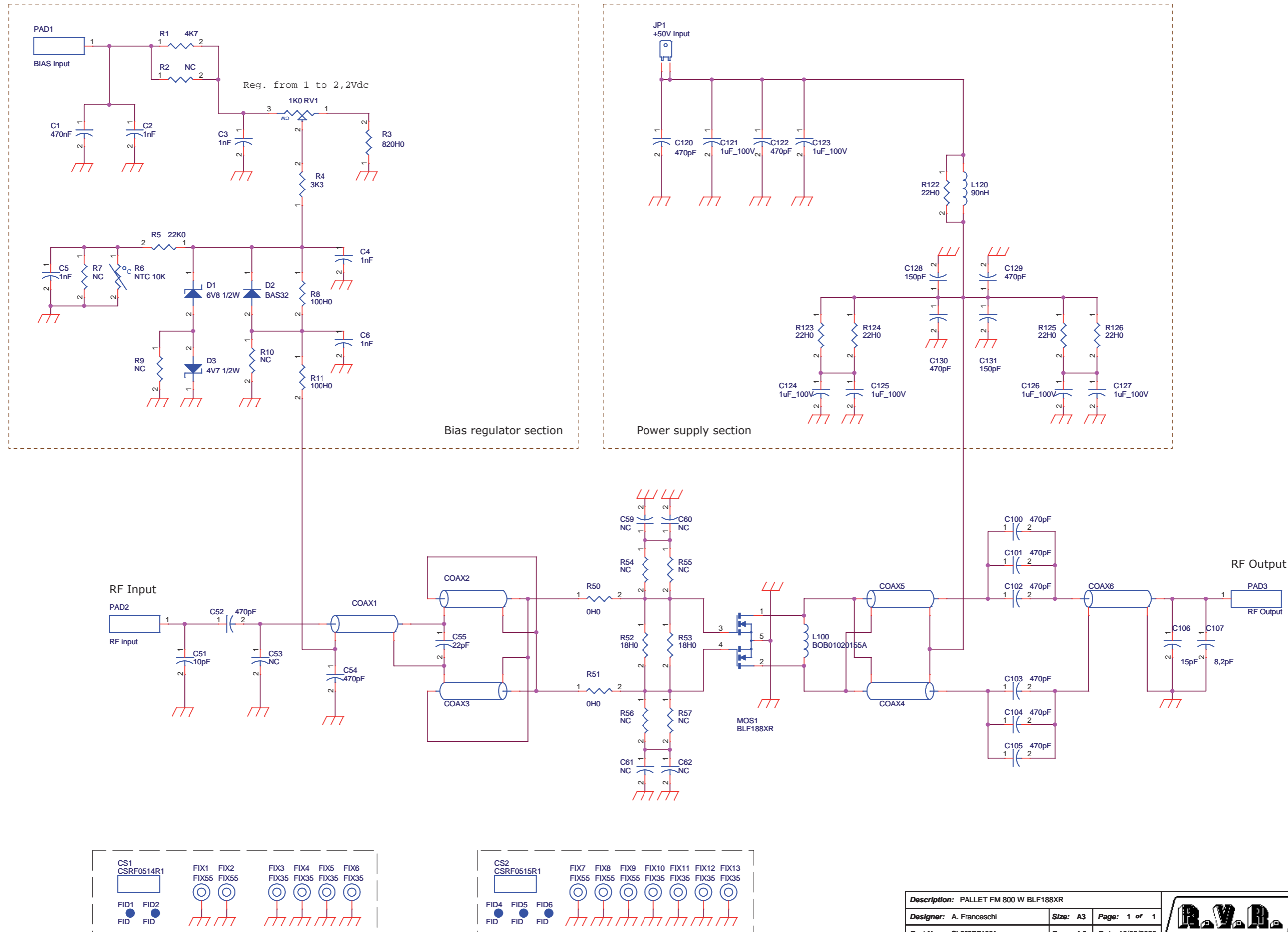
DATE : 10/09/20 REVISION : 1.0 SCALE : 2:1 SIZE : A4 PAGE : 1 DI 1

ARCHIVING : "RVRUT" SERVER, "RILASCIATI" FOLDER

PROJECT CODE : 252 DOCUMENT CODE : SL252RF1001_OUTPUT



SLRF0515R01V01



Description: PALLET FM 800 W BLF188XR		
Designer: A. Franceschi	Size: A3	Page: 1 of 1
Part No.: SL252RF1001	Rev. 1.0	Date: 10/09/2020

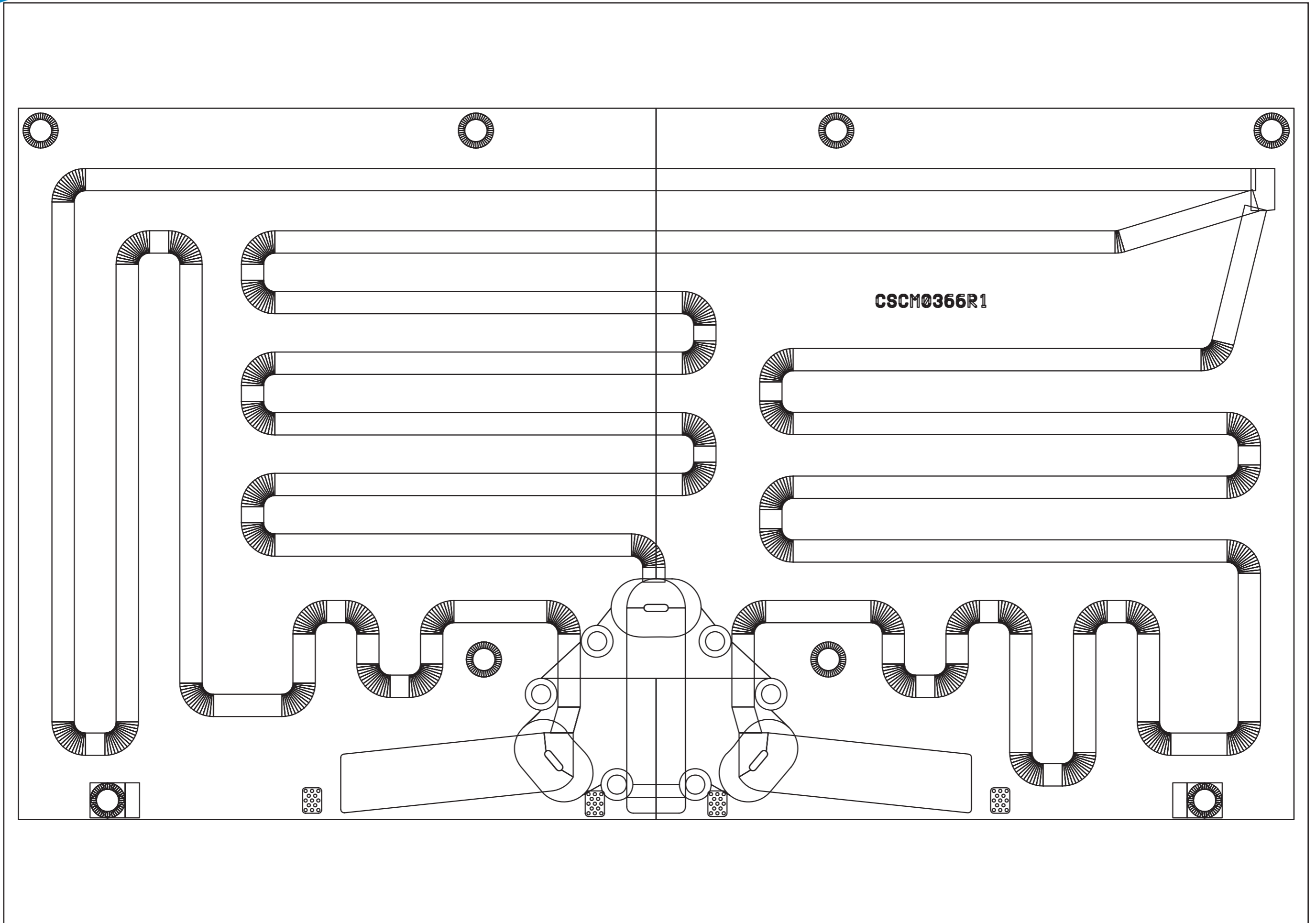


SLRF0515R01V01

PALLET FM 800 W BLF188XR Revised: Thursday, September 10, 2020
 SL252RF1001 Revision: 1.0
 A. Franceschi

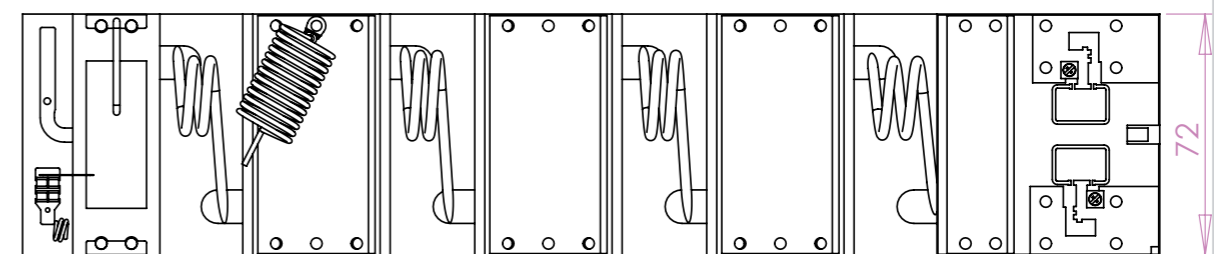
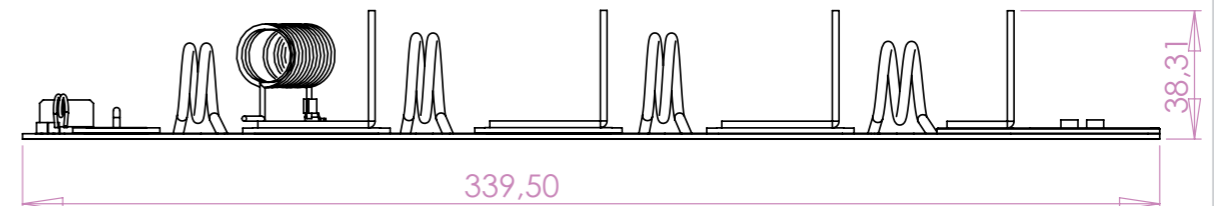
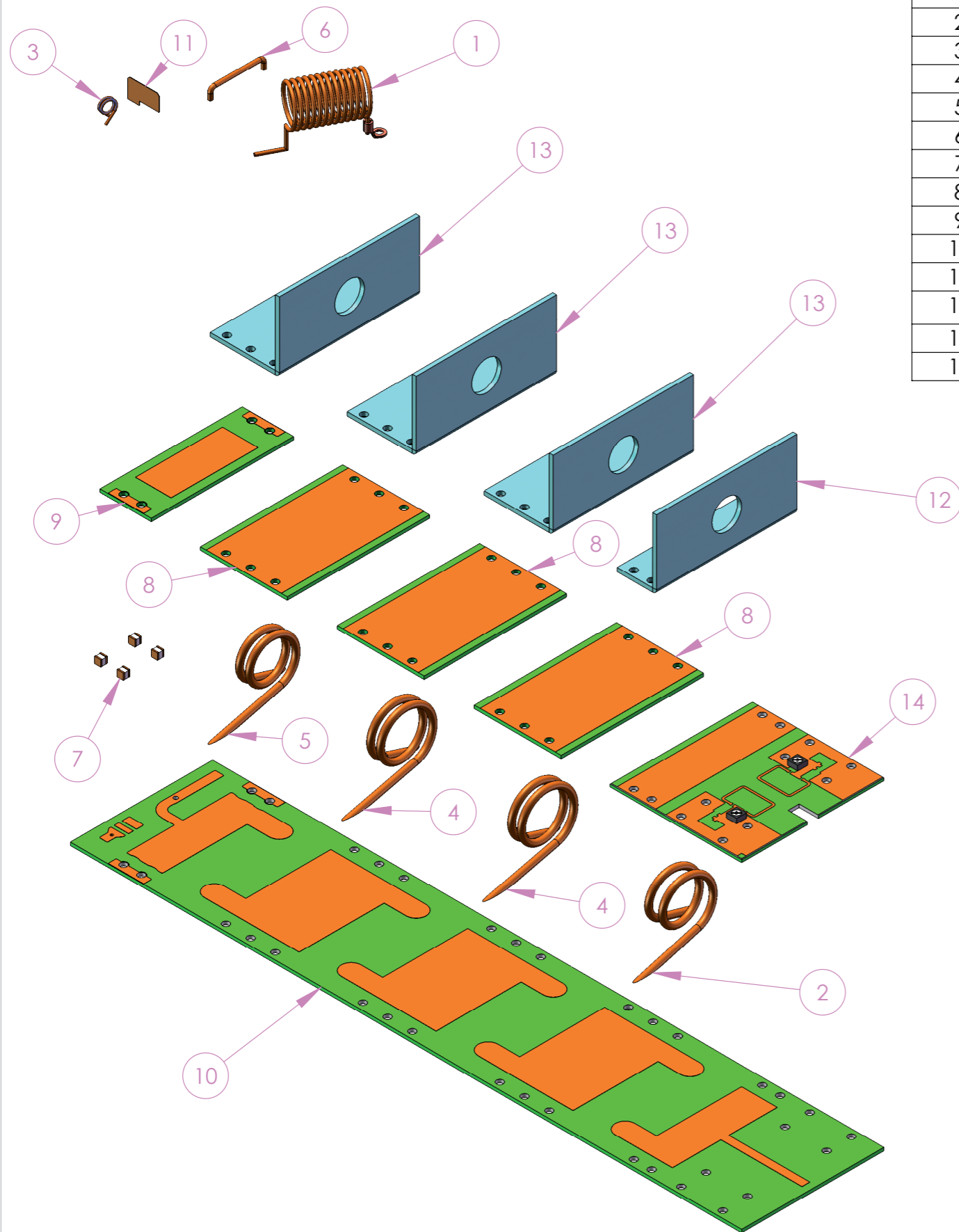
Item	Quantity	Reference	Part	Description
1	1	COAX1	Cable RG178 60mm in binocolo ferrite	Cavo coax
2	2	COAX2, COAX3	Cable HF086/25/FEP - 80mm	Cavo coax
3	2	COAX4, COAX5	Cable HF141/12/FEP - 80mm	Cavo coax
4	1	COAX6	Cable RG142/50 - 125mm	Cavo coax
5	1	CS1	CSRF0514R1	Printed Circuit board
6	1	CS2	CSRF0515R1	Printed Circuit board
7	1	C1	470nF	0805 SMD capacitor
8	5	C2, C3, C4, C5, C6	1nF	0805 COG SMD capacitor
9	1	C51	10pF	1212 HQ SMD capacitor
10	2	C52, C54	470pF	1212 HQ SMD capacitor
11	5	C53, C59, C60, C61, C62	NC	1212 HQ SMD capacitor
12	1	C55	22pF	1212 HQ SMD capacitor
13	10	C100, C101, C102, C103, C104, C105, C120, C122, C129, C130	470pF	1212 HQ SMD capacitor
14	1	C106	15pF	1212 HQ SMD capacitor
15	1	C107	8,2pF	1212 HQ SMD capacitor
16	6	C121, C123, C124, C125, C126, C127	1uF_100V	1210 SMD Ceramic Capacitor
17	2	C128, C131	150pF	1212 HQ SMD capacitor
18	1	D1	6V8 1/2W	MINIMELF SMD Zener Diode
19	1	D2	BAS32	MINIMELF SMD Diode
20	1	D3	4V7 1/2W	MINIMELF SMD Zener Diode
21	5	FID1, FID2, FID4, FID5, FID6	FID	PCB fiducial
22	5	FIX1, FIX2, FIX7, FIX8, FIX9	FIX55	6mm Fixing hole
23	8	FIX3, FIX4, FIX5, FIX6, FIX10, FIX11, FIX12, FIX13	FIX35	3.5mm Fixing hole
24	1	JP1	+50V Input	PCB faston p. 5.08
25	1	L100	BOB01020155A	Cylindrical Inductor
26	1	L120	90nH	Cylindrical Inductor
27	1	MOS1	BLF188XR	PP Power mosfet RF
28	1	PAD1	BIAS Input	SMD pad
29	1	PAD2	RF input	SMD pad
30	1	PAD3	RF Output	SMD pad
31	1	RV1	1K0	Trimm. multi SMD PVG5 Murata 3224W Bourns
32	1	R1	4K7	0805 1% SMD res.
33	4	R2, R7, R9, R10	NC	0805 1% SMD res.
34	1	R3	820H0	0805 1% SMD res.
35	1	R4	3K3	0805 1% SMD res.
36	1	R5	22K0	0805 1% SMD res.
37	1	R6	NTC 10K	NTC resistor pitch 5mm
38	2	R8, R11	100H0	0805 1% SMD res.
39	2	R50, R51	0H0	2512 5% SMD res.
40	2	R52, R53	18H0	2512 5% SMD res.
41	4	R54, R55, R56, R57	NC	2512 5% SMD res.
42	1	R122	22H0	2W resistor
43	4	R123, R124, R125, R126	22H0	2512 5% SMD res.

SLCMBTEX2KL1

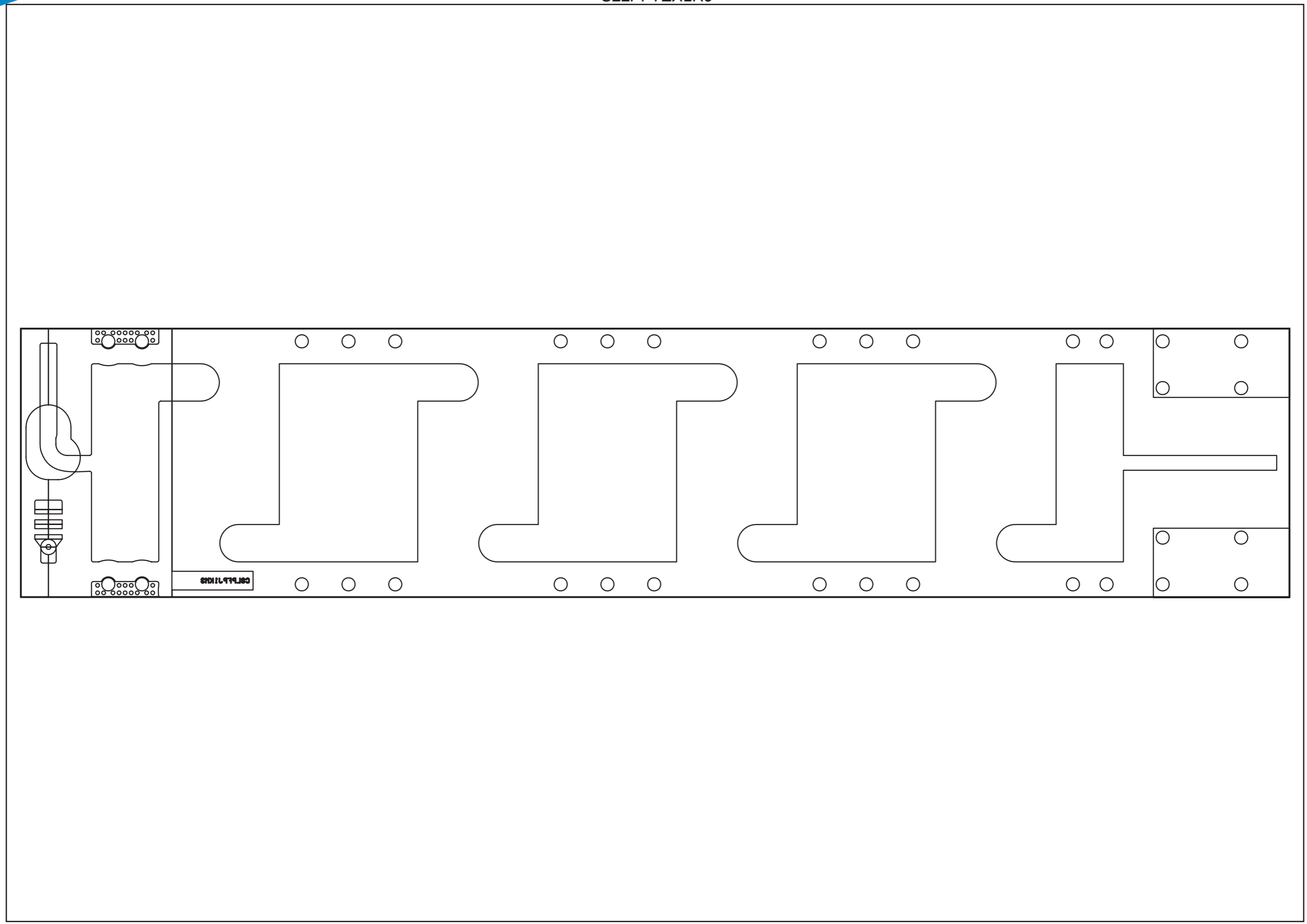


SLLPFTEX2K5

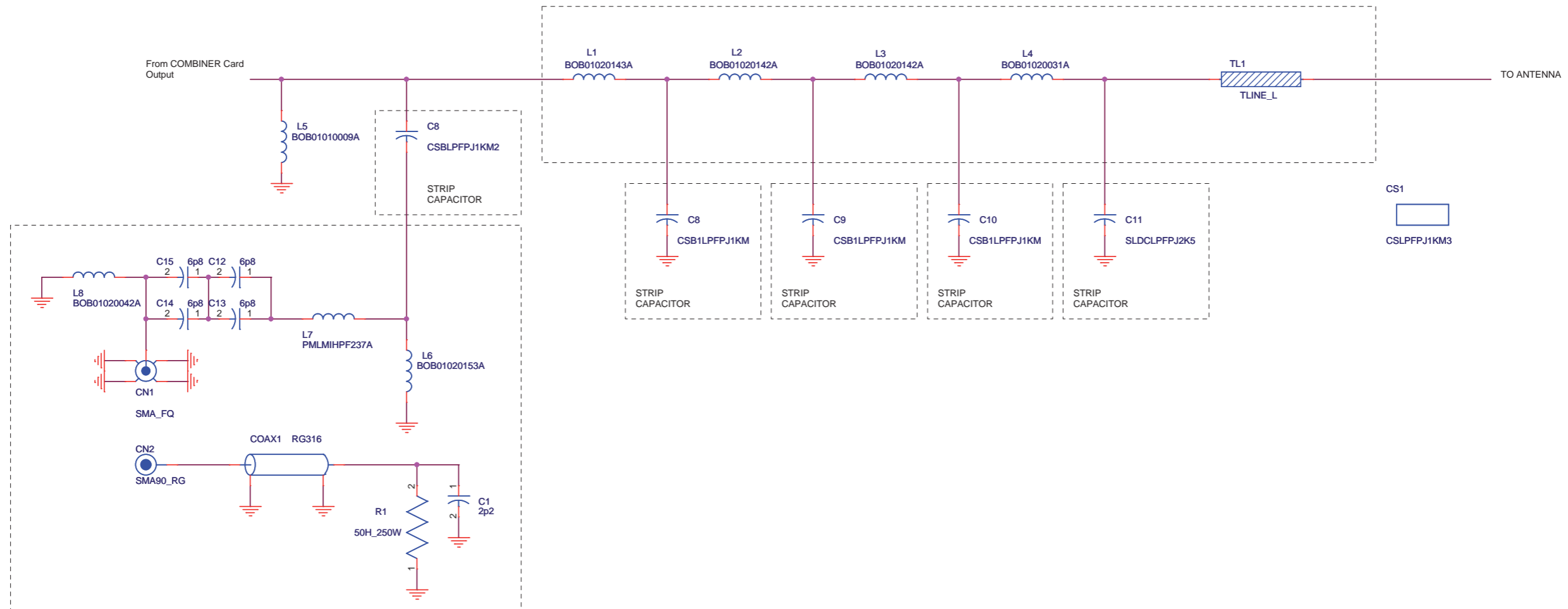
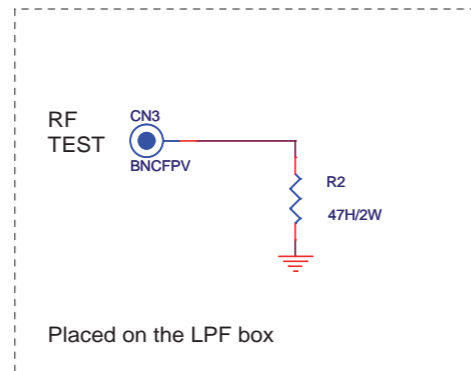
Nr.	Codice	DESCRIZIONE	Qtà
1	BOB01010009A	BOB.IN ARIA RAME SMALTATO KIT 34	1
2	BOB01020031A	BOB.IN ARIA RAME ARGENTATO KIT 45	1
3	BOB01020042A	BOB.IN ARIA RAME ARGENTATO	1
4	BOB01020142A	BOB.IN ARIA RAME ARGENTATO	2
5	BOB01020143A	BOB.IN ARIA RAME ARGENTATO	1
6	BOB01020153A	BOB.IN ARIA RAME ARGENTATO	1
7	CHQ6P8JA501	COND.CHIP ALTO Q 6PF8 5% 500V	4
8	CSB1LPFPJ1KM	CIRC.STAMP. IN TEFLON X CAPAC.ALTA	3
9	CSBLPFPJ1KM2.dxf	CIRC.STAMP. IN TEFLON X CAPAC.BASSA	1
10	CSLPFPJ1KM3.dxf	CIRC.STAMP. IN TEFLON FILTRO X BOB.	1
11	PMLMIHPF237A	LAMIER. HIGH PASS FILTER TEX/PJ 3U	1
12	SINRF1766_dwg	SEPARATORE INT.RF PART.6 TEX2000	1
13	SINRF1767_DWG	SEPARATORE INT.RF PART.7 TEX2000	3
14	SLDC0375R01V01	DIRECTIONAL COUPLER	1



	PROFILE:	DESCRIPTION:
	MATERIAL:	SEM.SCH.FILTRO TEX2500 LCD GREEN
GENERAL TOLERANCE UNI ISO 2768-f	TREATMENT:	CODE: SLLPFTEX2K5
		DATE: 05/02/2021
		PROJECT N°: 237
		TYPE: UT2
		SCALE: 1:1
		FORMAT: A3
		PAGE: 1/1



SLLPFTEX2K5



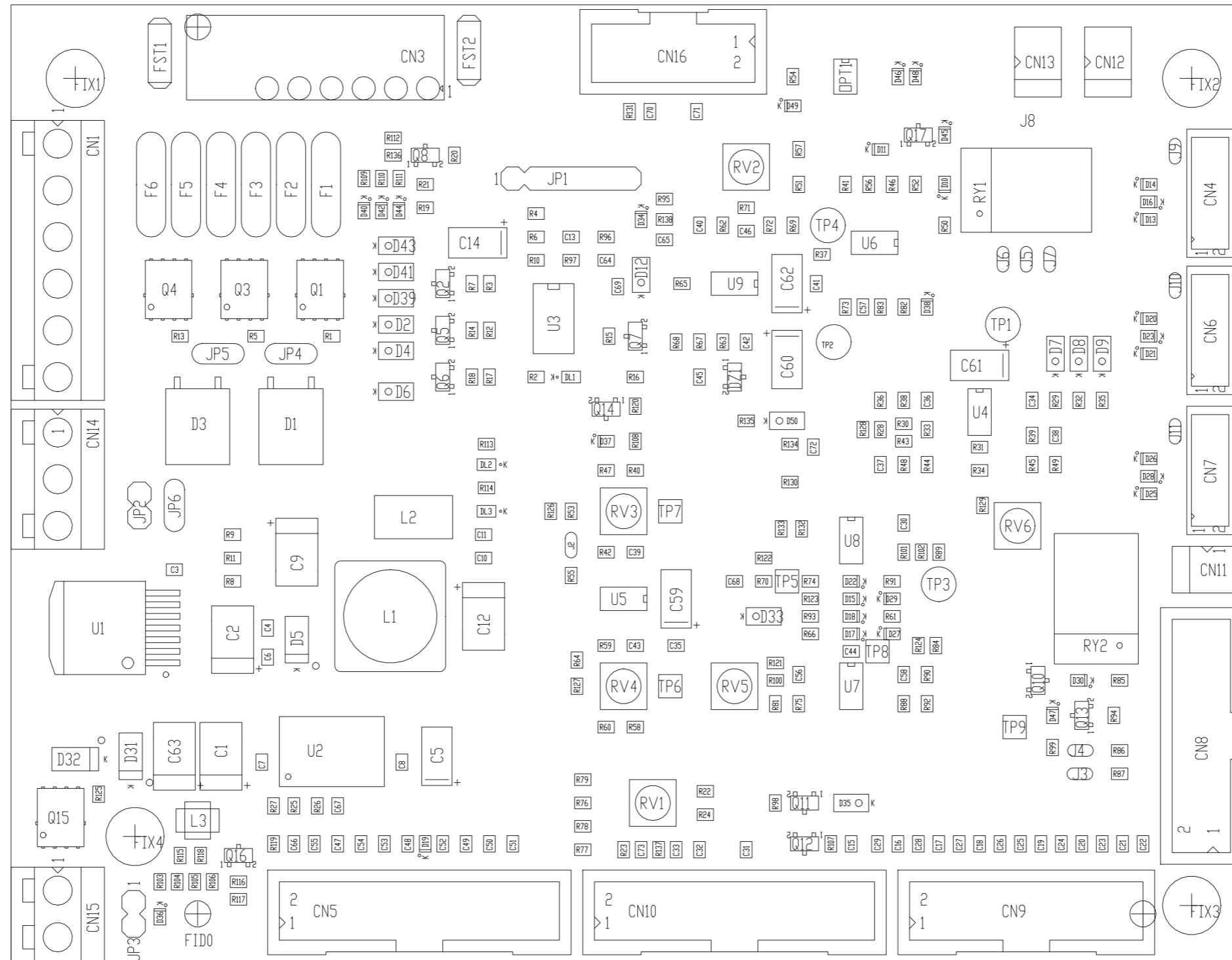
Description: Low Pass Filter		
Designer: Franceschi A.	Size: A3	Page: 1 of 1
Part No.: SLLPFTEX2K5	Rev. 1.2	Date: 21/05/2013




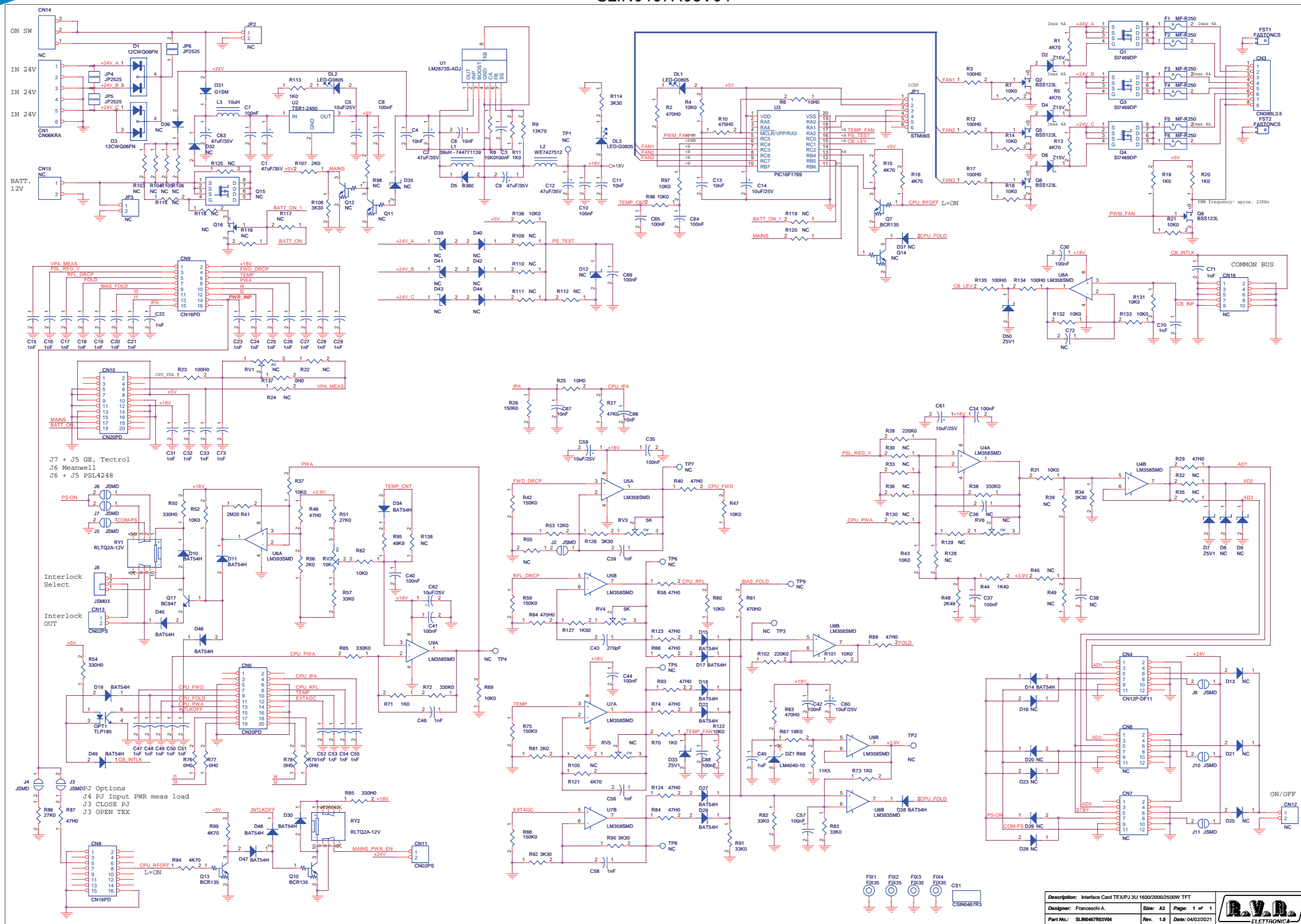
SLLPFTEX2K5

Low Pass Filter Revised: Tuesday, May 21, 2013
 SLLPFTEX2K5 Revision: 1.2
 Franceschi A.

Item	Quantity	Reference	Part	Description
1	1	CN1	SMA_FQ	
2	1	CN2	SMA90_RG	
3	1	CN3	BNCFPV	
4	1	COAX1	RG316	
5	1	CS1	CSLPPFJ1KM3	
6	1	C1	2p2	
7	1	C8	CSBLPPFJ1KM2	
8	3	C8, C9, C10	CSB1LPPFJ1KM	
9	1	C11	SLDCLPPFJ2K5	
10	4	C12, C13, C14, C15	6p8	
11	1	L1	BOB01020143A	
12	2	L2, L3	BOB01020142A	
13	1	L4	BOB01020031A	
14	1	L5	BOB01010009A	
15	1	L6	BOB01020153A	
16	1	L7	PMLMIHPF237A	
17	1	L8	BOB01020042A	
18	1	R1	50H_250W	
19	1	R2	47H/2W	
20	1	TL1	TLINE_L	



	PRODUCT NAME : TEX/PJ 3U	PART NAME : Interface Card TEX/PJ 3U
	DESIGNER : FRANCESCHI A.	DATE 01/07/20 REVIS. : 1.0 SCALE 2:1 SIZE A3 PAGE : 1 DI 1
	ARCHIVING : 'RVRT' SERVER, 'RILASCIATI' FOLDER PROJECT CODE : <	DOCUMENT CODE : SLIN0467R03V**



Description: Interface Card TEX/PJ 3U 1600/2000/2500W TFT	
Designer: Franceschi A.	Size: A2 Page: 1 of 1
Part No.: SLIN0467R03V04	Rev. 1.0 Date: 04/02/2021



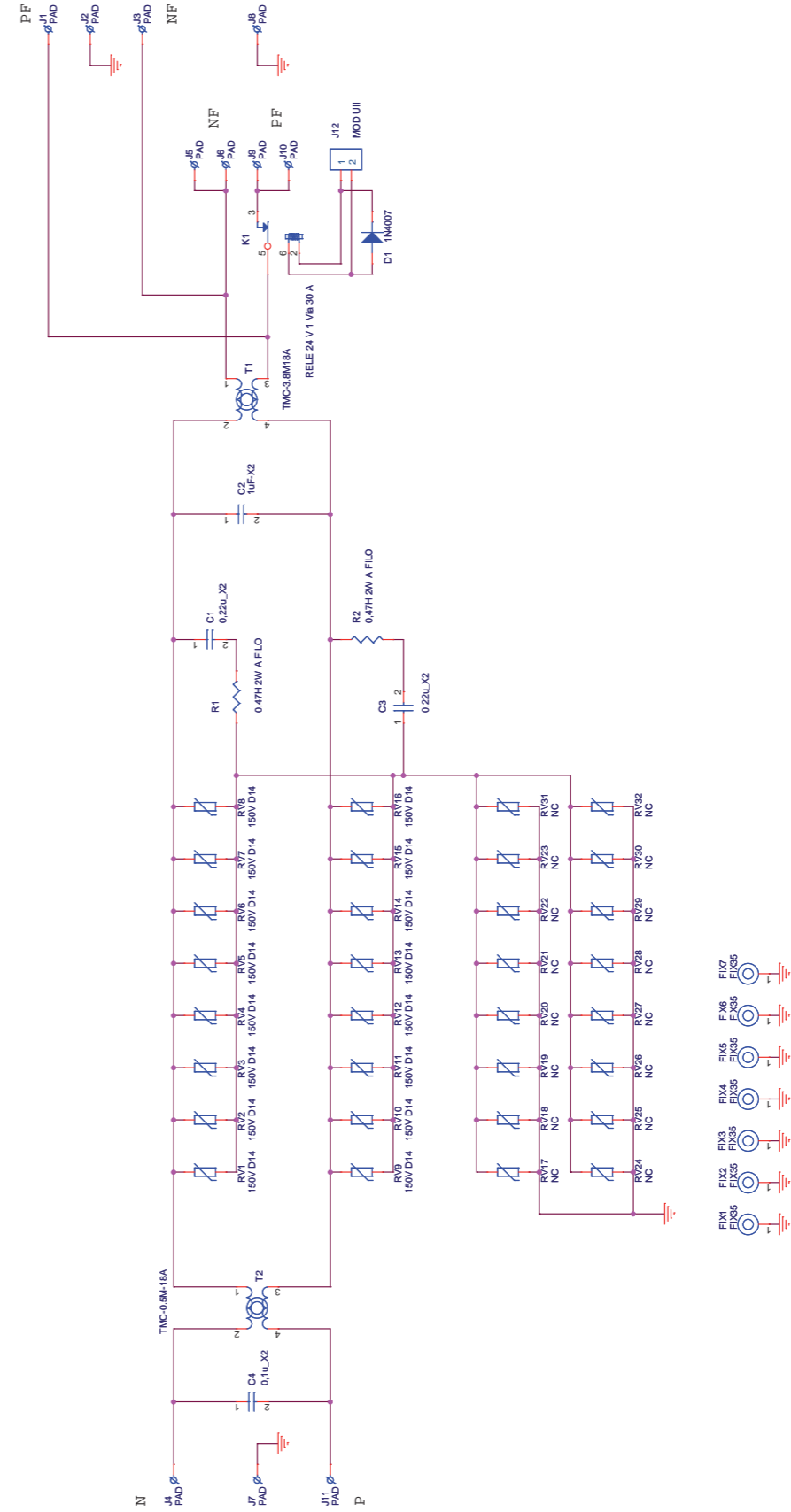
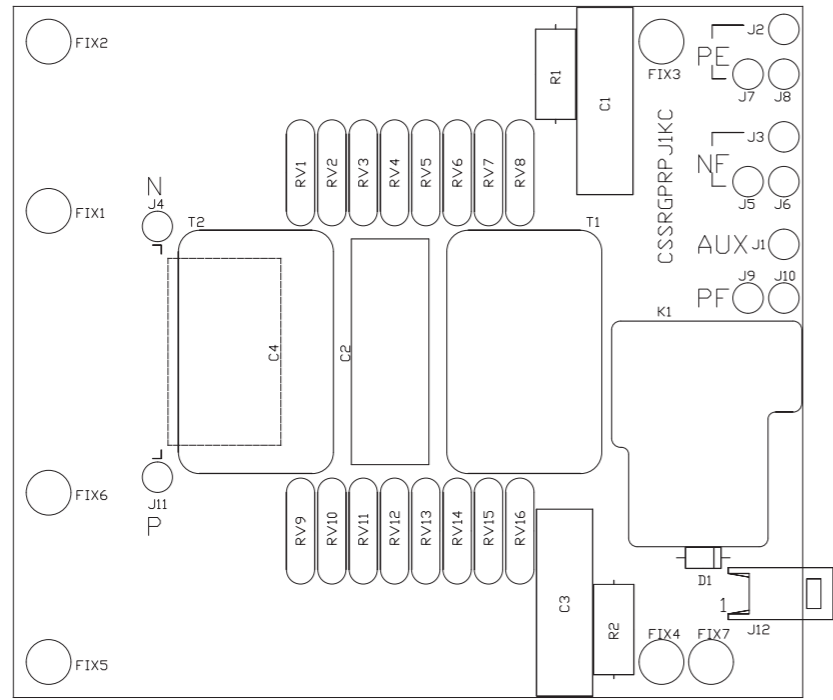
SLIN0467R03V04

Interface Card TEX/PJ 3U 1600/2000/2500W TFT Revised: 04/02/2021
 SLIN0467R03V04 Revision: 1.0
 Franceschi A.

Item	Quantity	Reference	Part	Description
1	1	CN1	CN06KRA	Conn. tipo KRA a 6 poli
2	1	CN3	CN08BL3.5	Conn. Weidm BL 8 poli passo 3.5mm
3	1	CN4	CN12P-DF11	Conn. 12 poli DF11 12pin p. 2mm
4	2	CN5, CN10	CN20PD	Conn. 20 poli Flat cs
5	2	CN6, CN7	NC	Conn. 12 poli DF11 12pin p. 2mm
6	2	CN8, CN9	CN16PD	Conn.M.C.S.Dritto 16P alette.
7	2	CN11, CN13	CN02PS	Conn. 2 poli WR-WTB
8	1	CN12	NC	Conn. 2 poli WR-WTB
9	1	CN14	NC	Conn. tipo KRA a 3 poli
10	1	CN15	NC	Conn. tipo KRA a 2 poli
11	1	CN16	NC	Conn. 10 poli Flat cs con alette
12	1	C51	CSIN0467R3	Circuito stampato
13	5	C1, C2, C9, C12, C63	47uF/35V	Cond. Elett. SMD tant. size D
14	17	C3, C7, C8, C10, C30, C34, C35, C37, C40, C41, C42, C44, C57, C64, C65, C68, C69	100nF	Cond. SMD 0805
15	6	C4, C6, C11, C13, C66, C67	10nF	Cond. SMD 0805
16	6	C5, C14, C59, C60, C61, C62	10uF/25V	Cond. Elett. SMD tant. size C
17	34	C15, C16, C17, C18, C19, C20, C21, C22, C23, C24, C25, C26, C27, C28, C29, C31, C32, C33, C39, C46, C47, C48, C49, C50, C51, C52, C53, C54, C55, C56, C58, C70, C71, C73	1nF	Cond. SMD 0805
18	3	C36, C38, C72	NC	Cond. SMD 0805
19	1	C43	270pF	Cond. SMD 0805
20	1	C45	1uF	Cond. SMD 0805
21	3	DL1, DL2, DL3	LED-G0805	LED Verde SMD 0805
22	1	DZ1	LM4040-10	SMD SOT23 precision Zener
23	2	D1, D3	12CWQ06FN	Doppio diodo shottky SMD DPAK
24	3	D2, D4, D6	Z15V	MINIMELF SMD Zener Diode
25	1	D5	B360	MELF SMD Diode
26	3	D7, D33, D50	Z5V1	MINIMELF SMD Zener Diode
27	7	D8, D9, D12, D35, D39, D41, D43	NC	MINIMELF SMD Zener Diode
28	18	D10, D11, D14, D15, D17, D18, D19, D22, D27, D29, D30, D34, D38, D45, D46, D47, D48, D49	BAT54H	SOD323 SMD Diode
29	13	D13, D16, D20, D21, D23, D25, D26, D28, D36, D37, D40, D42, D44	NC	SOD323 SMD Diode
30	1	D31	G15M	MELF SMD Diode
31	1	D32	NC	MELF SMD Diode
32	4	FIX1, FIX2, FIX3, FIX4	FIX35	Foro fissaggio 3.5mm
33	2	FST1, FST2	FASTONCS	Faston da CS p. 5.08
34	6	F1, F2, F3, F4, F5, F6	MF-R250	Fusibile autorip. RXE p5,1mm
35	1	JP1	STM065	Male strip 6 pin
36	2	JP2, JP3	NC	Female strip 2 pin
37	3	JP4, JP5, JP6	JP2525	PAD a saldare
38	9	J2, J3, J4, J5, J6, J7, J9, J10, J11	J5MD	Pad SMD a saldare
39	1	J8	J5M03	Pad SMD a saldare a 2 pos.
40	1	L1	39uH - 744771139	Shielded power inductor
41	1	L2	WE7427512	Power ferrite bead
42	1	L3	10uH	Ind. verticale SMD dia. 4 p 4.8
43	1	OPT1	TLP185	Optocoupler SMD SO6
44	3	Q1, Q3, Q4	S17469DP	P-Channel 80-V (D-S) MOSFET
45	4	Q2, Q5, Q6, Q8	BSS123L	Trans. FET SOT23
46	3	Q7, Q10, Q13	BCR135	Trans./Res. NPN SOT23
47	3	Q11, Q12, Q14	NC	Trans./Res. NPN SOT23
48	1	Q15	NC	P-Channel 80-V (D-S) MOSFET
49	1	Q16	NC	Trans. FET SOT23
50	1	Q17	BC847	Trans. NPN SOT23
51	3	RV1, RV5, RV6	NC	Trimmer SMD V 3314
52	1	RV2	10K	Trimmer SMD V 3314
53	2	RV3, RV4	5K	Trimmer SMD V 3314
54	2	RY1, RY2	RLTQ2A-12V	Rele' TQ2
55	8	R1, R5, R13, R15, R16, R94, R99, R121	4K70	Res. SMD 0805 1%
56	5	R2, R10, R61, R63, R64	470H0	Res. SMD 0805 1%
57	6	R3, R12, R17, R23, R134, R135	100H0	Res. SMD 0805 1%
58	21	R4, R7, R14, R18, R21, R31, R37, R43, R47, R52, R60, R62, R69, R96, R97, R101, R122, R131, R132, R133, R136	10K0	Res. SMD 0805 1%
59	2	R6, R25	10H0	Res. SMD 0805 1%
60	1	R8	15K0	Res. SMD 0805 1%
61	1	R9	13K70	Res. SMD 0805 1%
62	7	R11, R19, R20, R70, R71, R73, R113	1K0	Res. SMD 0805 1%
63	32	R22, R24, R30, R32, R33, R35, R36, R39, R45, R49, R55, R98, R100, R103, R104, R105, R106, R109, R110, R111, R112, R115, R116, R117, R118, R119, R120, R125, R128, R129, R130, R138	NC	Res. SMD 0805 1%
64	5	R26, R42, R59, R75, R88	150K0	Res. SMD 0805 1%
65	1	R27	47K0	Res. SMD 0805 1%

Item	Quantity	Reference	Part	Description
66	2	R28, R102	220K0	Res. SMD 0805 1%
67	12	R29, R40, R46, R58, R66, R74, R84, R87, R89, R93, R123, R124	47H0	Res. SMD 0805 1%
68	6	R34, R90, R92, R108, R114, R126	3K30	Res. SMD 0805 1%
69	3	R38, R65, R72	330K0	Res. SMD 0805 1%
70	1	R41	2M20	Res. SMD 0805 1%
71	1	R44	1K40	Res. SMD 0805 1%
72	1	R48	2K49	Res. SMD 0805 1%
73	3	R50, R54, R85	330H0	Res. SMD 0805 1%
74	2	R51, R86	27K0	Res. SMD 0805 1%
75	1	R53	12K0	Res. SMD 0805 1%
76	3	R56, R81, R107	2K0	Res. SMD 0805 1%
77	4	R57, R82, R83, R91	33K0	Res. SMD 0805 1%
78	1	R67	18K0	Res. SMD 0805 1%
79	1	R68	11K5	Res. SMD 0805 1%
80	5	R76, R77, R78, R79, R137	0H0	Res. SMD 0805 1%
81	1	R95	49K9	Res. SMD 0805 1%
82	1	R127	1K50	Res. SMD 0805 1%
83	4	TP1, TP2, TP3, TP4	NC	Test point
84	5	TP5, TP6, TP7, TP8, TP9	NC	Test point
85	1	U1	LM2673S-ADJ	SMD Switching regulator
86	1	U2	TSR1-2450	Switching SIP3 regulator
87	1	U3	PIC16F1769	SSOP 8bit microcontroller
88	5	U4, U5, U7, U8, U9	LM358SMD	Dual Op. SMD SO8
89	1	U6	LM393SMD	Dual Op. SMD SO8

SLSRGPRPJ1KM



PRODUCT NAME : TEX-TFT	PART NAME : SURGE PROTECTION CARD
DESIGNER : FRANCESCHI A.	DATE : 22/11/05
ARCHIVING : "RVVUT" SERVER, "RILASCIATI" FOLDER	REVISION : 1.2
PROJECT CODE : 252	SCALE : 1:1
DOCUMENT CODE : SLSRGPRPJ1KM	SIZE : A4
	PAGE : 1 DI 1

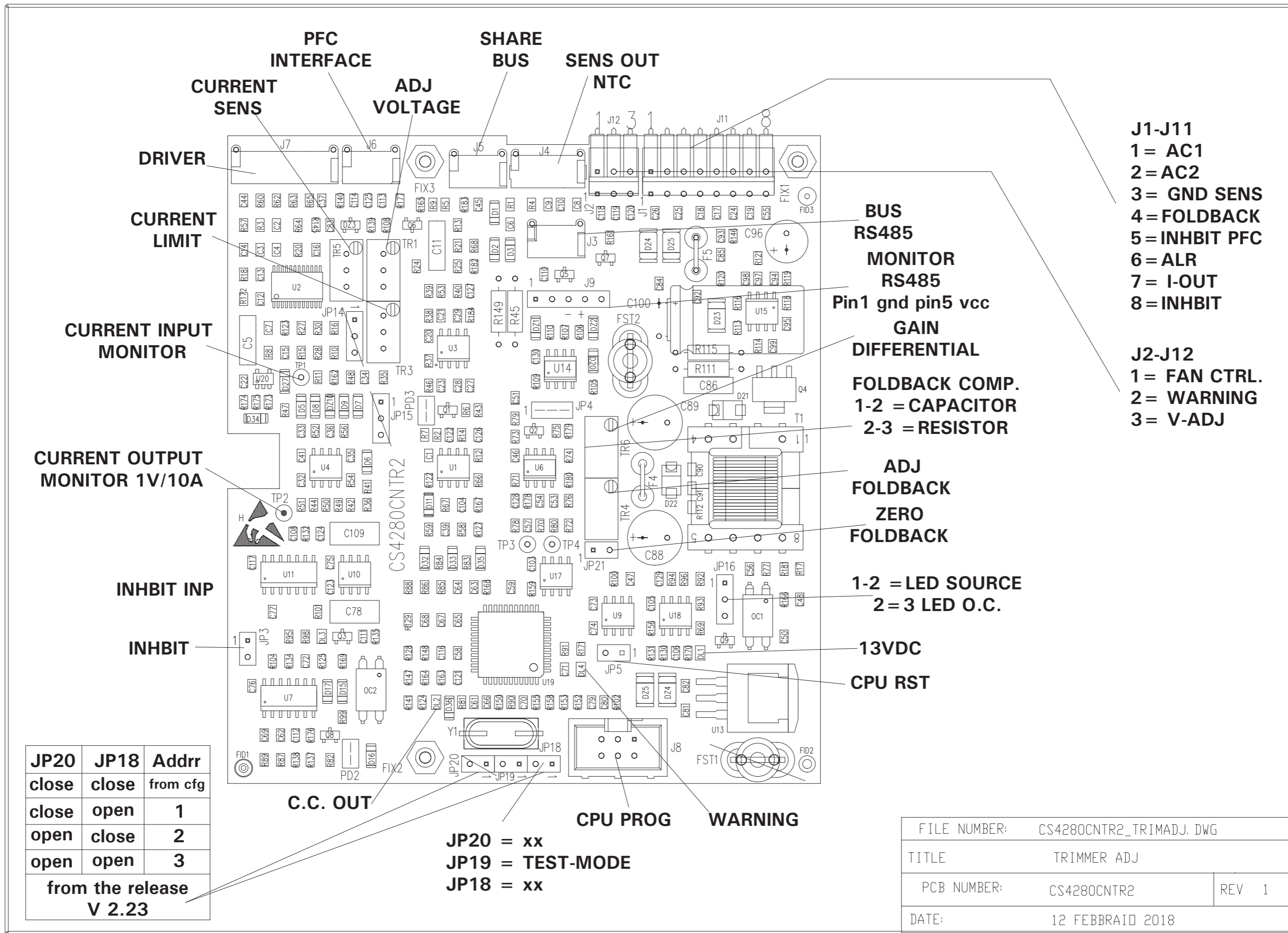
Description: Surge Protection Card	
Designer: Franceschi A.	Page: 1 of 1
Part No.: SLSRGPRPJ1KM	Rev.: 1.2
	Date: 09/02/2006

SLSRGPRPJ1KM

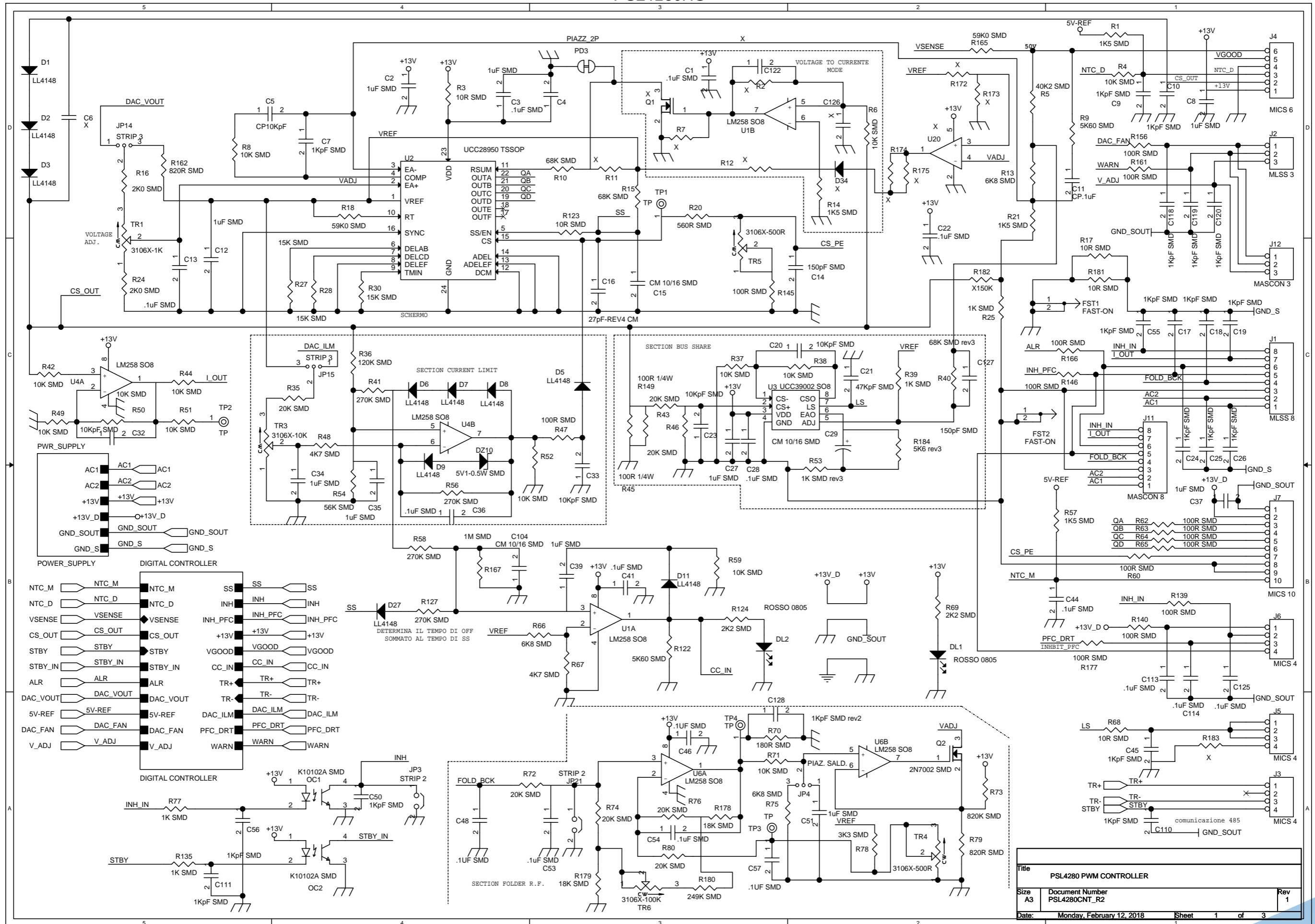
Surge Protection Card Revised: 09/02/2006
 SLSRGPRPJ1KM Revision: 1.2
 Franceschi A.

Item	Quantity	Reference	Part
1	2	C1, C3	0,22u_X2
2	1	C2	1uF-X2
3	1	C4	0,1u_X2
4	1	D1	1N4007
5	7	FIX1, FIX2, FIX3, FIX4, FIX5, FIX6, FIX7	FIX35
6	11	J1, J2, J3, J4, J5, J6, J7, J8, J9, J10, J11	PAD
7	1	J12	MOD UII
8	1	K1	RELE 24 V 1 Via 30 A
9	16	RV1, RV2, RV3, RV4, RV5, RV6, RV7, RV8, RV9, RV10, RV11, RV12, RV13, RV14, RV15, RV16	150V D14
10	2	R2, R1	0,47H 2W A FILO
11	1	T1	TMC-3.8M18A
12	1	T2	TMC-0.5M-18A

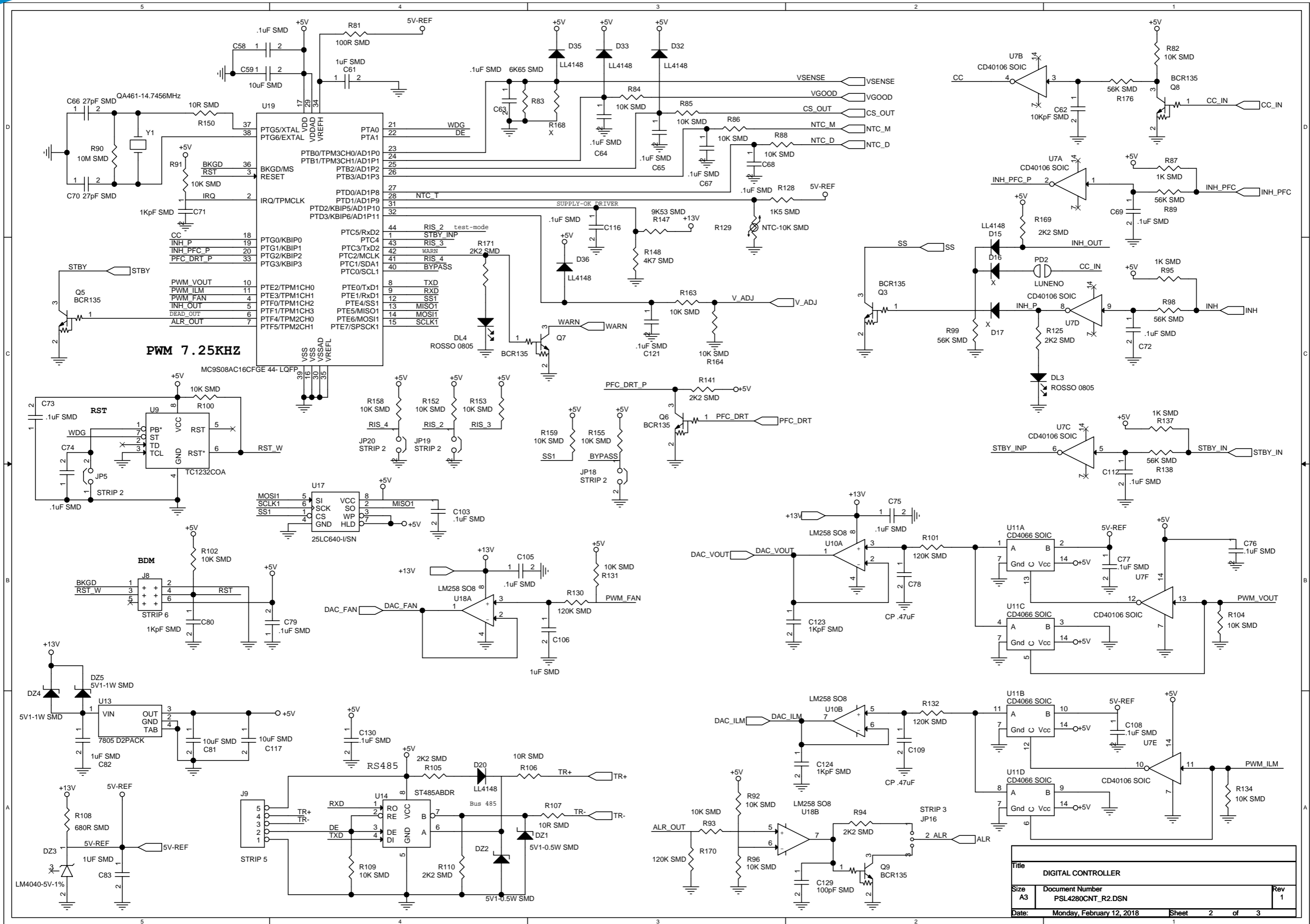
PSL4280HS



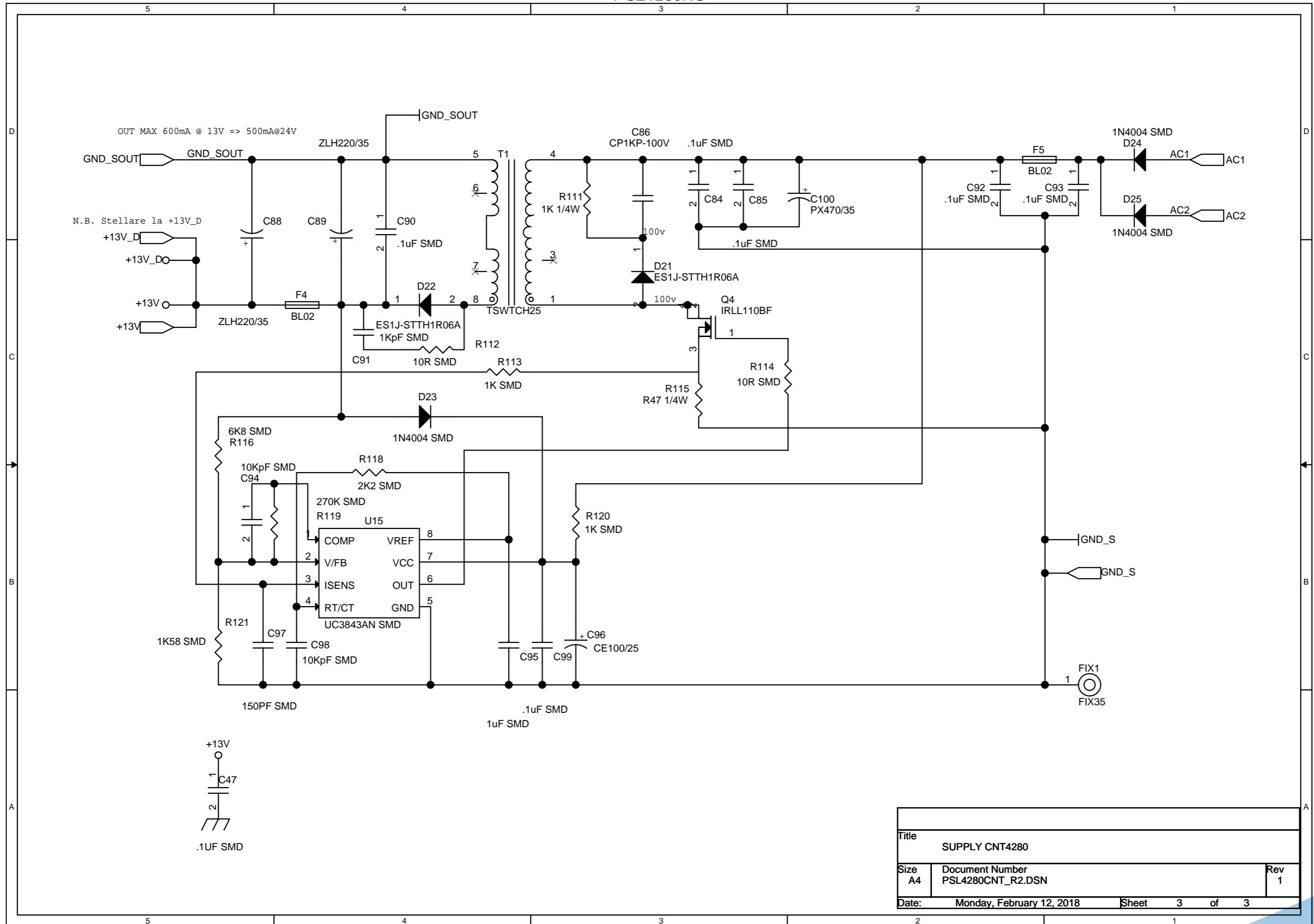
PSL4280HS



PSL4280HS



PSL4280HS



Title		
SUPPLY CNT4280		
Size	Document Number	Rev
A4	PSL4280CNT_R2.DSN	1
Date:	Monday, February 12, 2018	Sheet 3 of 3

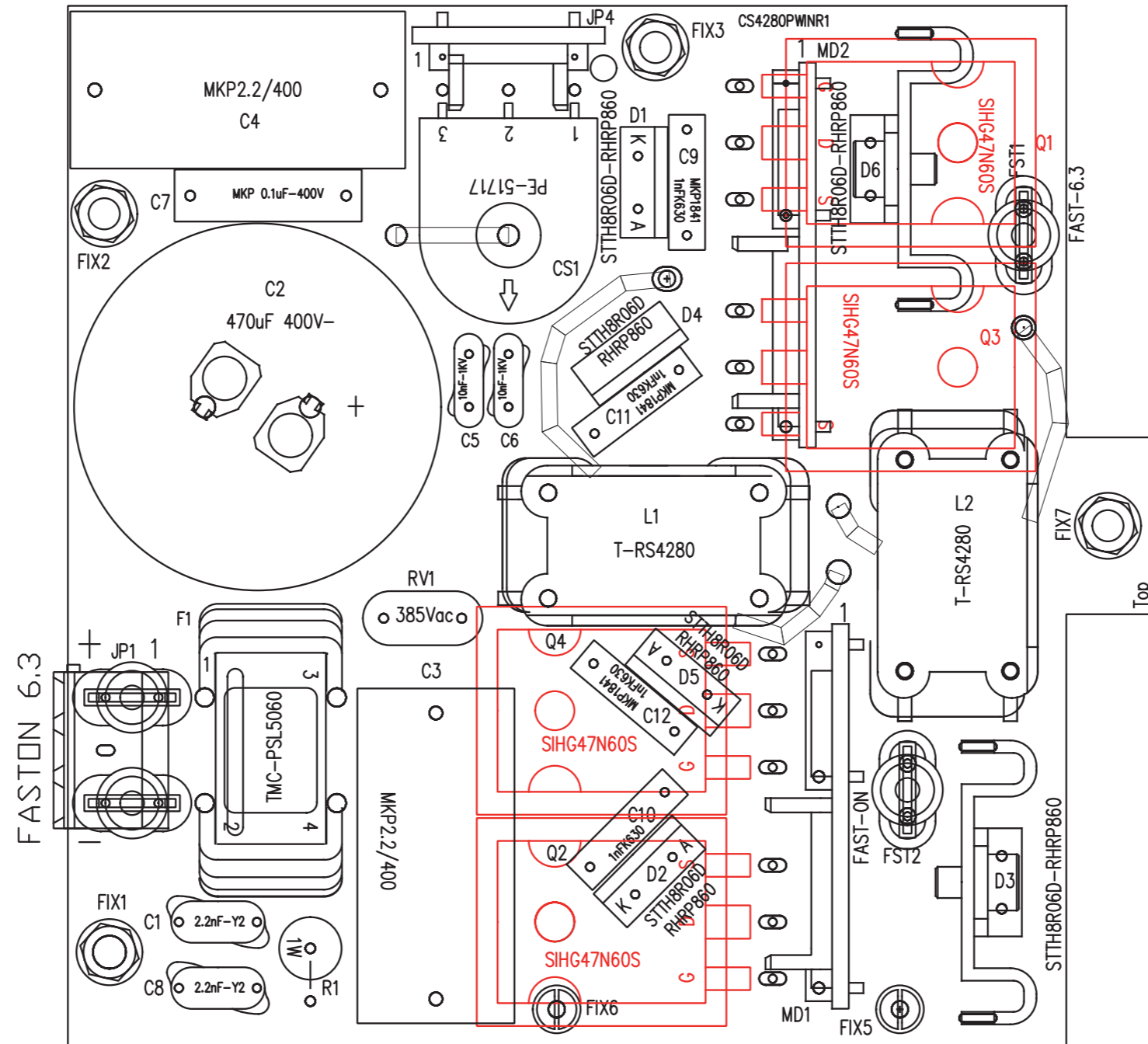
PSL4280HS

PSL4280 PWM CONTROLLER Revised: Thursday, February 22, 2018
 PSL4280CNT_R2 Revision: 1

Item	Quantity	Reference	Part
1	44	C1, C4, C13, C22, C28, C36, C41, C44, C46, C47, C48, C53, C54, C57, C58, C63, C64, C65, C67, C68, C69, C72, C73, C74, C75, C76, C77, C79, C84, C85, C90, C92, C93, C99, C103, C105, C108, C112, C113, C114, C116, C121, C125, C130	.1uF SMD
2	15	C2, C3, C8, C12, C27, C34, C35, C37, C39, C51, C61, C82, C83, C95, C106	1uF SMD
3	1	C5	CP10KpF
4	18	Q1, R2, C6, R7, R11, R12, D16, D17, U20, D34, C122, C126, R168, R172, R173, R174, R175, R183	X
5	23	C7, C9, C10, C17, C18, C19, C24, C25, C26, C45, C50, C55, C56, C71, C80, C91, C110, C111, C118, C119, C120, C123, C124	1KpF SMD
6	1	C11	CP.1uF
7	3	C14, C97, C127	150pF SMD
8	3	C15, C29, C104	CM 10/16 SMD
9	1	C16	27pF-REV4 CM
10	7	C20, C23, C32, C33, C62, C94, C98	10KpF SMD
11	1	C21	47KpF SMD
12	3	C59, C81, C117	10uF SMD
13	2	C66, C70	27pF SMD
14	1	C78	CP .47uF
15	1	C86	CP1KP-100V
16	2	C88, C89	ZLH220/35
17	1	C96	CE100/25
18	1	C100	PX470/35
19	1	C109	CP .47uF
20	1	C128	1KpF SMD rev2
21	1	C129	100pF SMD
22	4	DL1, DL2, DL3, DL4	ROSSO 0805
23	3	DZ1, DZ2, DZ10	5V1-0.5W SMD
24	1	DZ3	LM4040-5V-1%
25	2	DZ4, DZ5	5V1-1W SMD
26	16	D1, D2, D3, D5, D6, D7, D8, D9, D11, D15, D20, D27, D32, D33, D35, D36	LL4148
27	2	D21, D22	ES1J-STTH1R06A
28	3	D23, D24, D25	1N4004 SMD
29	1	FIX1	FIX35
30	2	FST1, FST2	FAST-ON
31	2	F4, F5	BLO2
32	6	JP3, JP5, JP18, JP19, JP20, JP21	STRIP 2
33	1	JP4	PIAZ. SALD.
34	3	JP14, JP15, JP16	STRIP 3
35	1	J1	MLSS 8
36	1	J2	MLSS 3
37	3	J3, J5, J6	MICS 4
38	1	J4	MICS 6
39	1	J7	MICS 10
40	1	J8	STRIP 6
41	1	J9	STRIP 5
42	1	J11	MASCON 8
43	1	J12	MASCON 3
44	2	OC1, OC2	K10102A SMD
45	1	PD2	LUNENO
46	1	PD3	PIAZZ_2P
47	1	Q2	2N7002 SMD
48	6	Q3, Q5, Q6, Q7, Q8, Q9	BCR135
49	1	Q4	IRLL110BF
50	5	R1, R14, R21, R57, R128	1K5 SMD
51	10	R3, R17, R68, R106, R107, R112, R114, R123, R150, R181	10R SMD
52	35	R4, R6, R8, R37, R38, R42, R44, R49, R50, R51, R52, R59, R71, R82, R84, R85, R86, R88, R91, R92, R93, R96, R100, R102, R104, R109, R131, R134, R152, R153, R155, R158, R159, R163, R164	10K SMD
53	1	R5	40K2 SMD
54	2	R9, R122	5K60 SMD

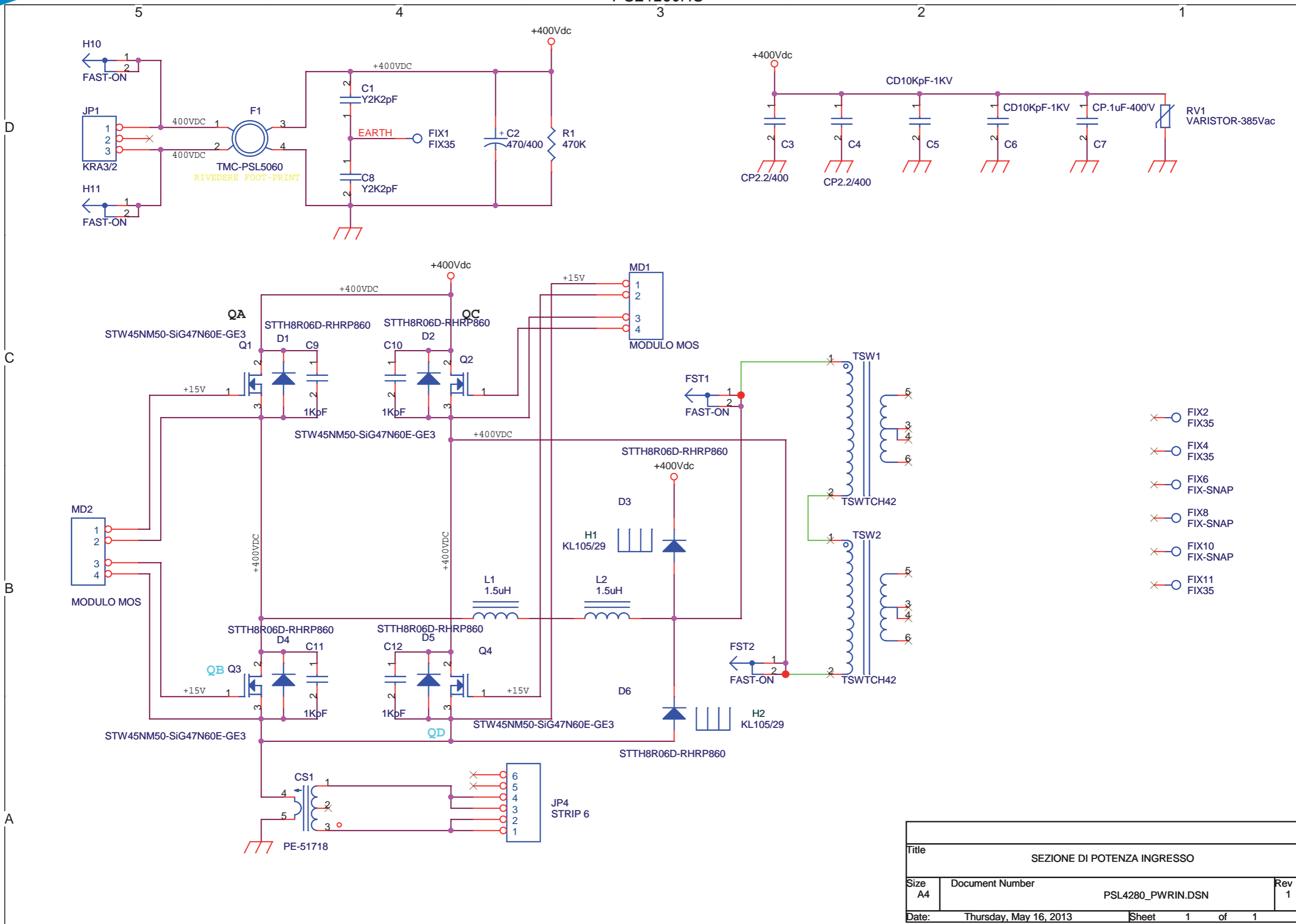
Item	Quantity	Reference	Part
55	2	R10, R15	68K SMD
56	4	R13, R66, R75, R116	6K8 SMD
57	2	R16, R24	2K0 SMD
58	2	R18, R165	59K0 SMD
59	1	R20	560R SMD
60	9	R25, R39, R77, R87, R95, R113, R120, R135, R137	1K SMD
61	3	R27, R28, R30	15K SMD
62	7	R35, R43, R46, R72, R74, R76, R80	20K SMD
63	5	R36, R101, R130, R132, R170	120K SMD
64	1	R40	68K SMD rev3
65	5	R41, R56, R58, R119, R127	270K SMD
66	2	R45, R149	100R 1/4W
67	15	R47, R60, R62, R63, R64, R65, R81, R139, R140, R145, R146, R156, R161, R166, R177	100R SMD
68	3	R48, R67, R148	4K7 SMD
69	1	R53	1K SMD rev3
70	6	R54, R89, R98, R99, R138, R176	56K SMD
71	10	R69, R94, R105, R110, R118, R124, R125, R141, R169, R171	2K2 SMD
72	1	R70	180R SMD
73	1	R73	820K SMD
74	1	R78	3K3 SMD
75	2	R79, R162	820R SMD
76	1	R83	6K65 SMD
77	1	R90	10M SMD
78	1	R108	680R SMD
79	1	R111	1K 1/4W
80	1	R115	R47 1/4W
81	1	R121	1K58 SMD
82	1	R129	NTC-10K SMD
83	1	R147	9K53 SMD
84	1	R167	1M SMD
85	2	R178, R179	18K SMD
86	1	R180	249K SMD
87	1	R182	X150K
88	1	R184	5K6 rev3
89	4	TP1, TP2, TP3, TP4	TP
90	1	TR1	3106X-1K
91	1	TR3	3106X-10K
92	2	TR4, TR5	3106X-500R
93	1	TR6	3106X-100K
94	1	T1	TSWCH25
95	5	U1, U4, U6, U10, U18	LM258 SO8
96	1	U2	UCC28950 TSSOP
97	1	U3	UCC39002 SO8
98	1	U7	CD40106 SOIC
99	1	U9	TC1232COA
100	1	U11	CD4066 SOIC
101	1	U13	7805 D2PACK
102	1	U14	ST485ABDR
103	1	U15	UC3843AN SMD
104	1	U17	25LC640-I/SN
105	1	U19	MC9508AC16CFGE 44- LQFP
106	1	Y1	QA461-14.7456MHz

PSL4280HS



ARCHIVIO: X:\WORKDWG\	
TITLE PIANO DI MONTAGGIO PWR PSL4280	
DOCUMENT NUMBER CS4280PWRIN_R1_MNT. DWG	REV 1
DATE: 25 GIUGNO 2013	

PSL4280HS



- FIX2
FIX35
- FIX4
FIX35
- FIX6
FIX-SNAP
- FIX8
FIX-SNAP
- FIX10
FIX-SNAP
- FIX11
FIX35

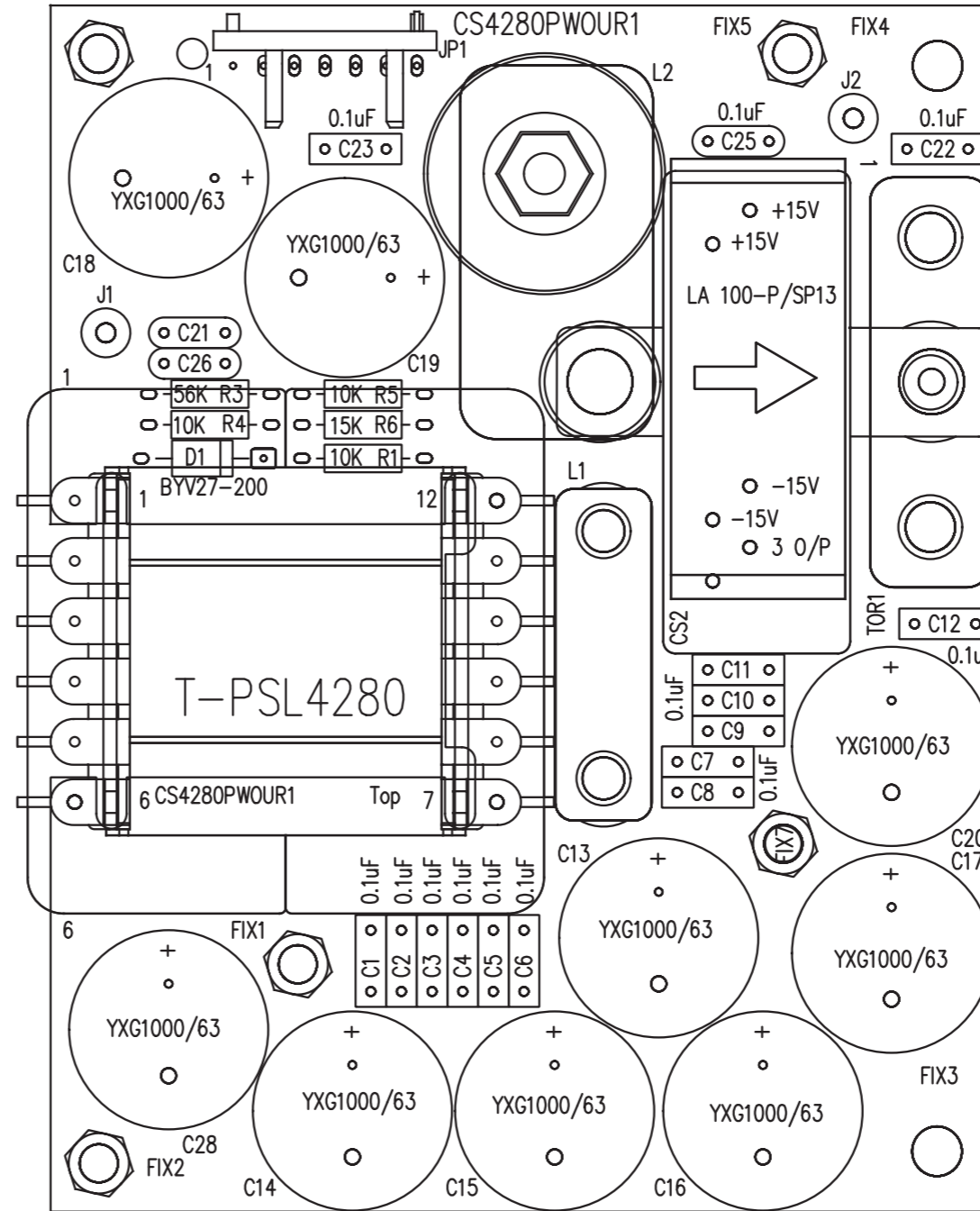
Title			SEZIONE DI POTENZA INGRESSO		
Size	Document Number	PSL4280_PWRIN.DSN		Rev	1
A4	Date: Thursday, May 16, 2013			Sheet	1 of 1

PSL4280HS

SEZIONE DI POTENZA INGRESSO Revised: Thursday, May 16, 2013
 PSL4280_PWRIN.DSN Revision: 1

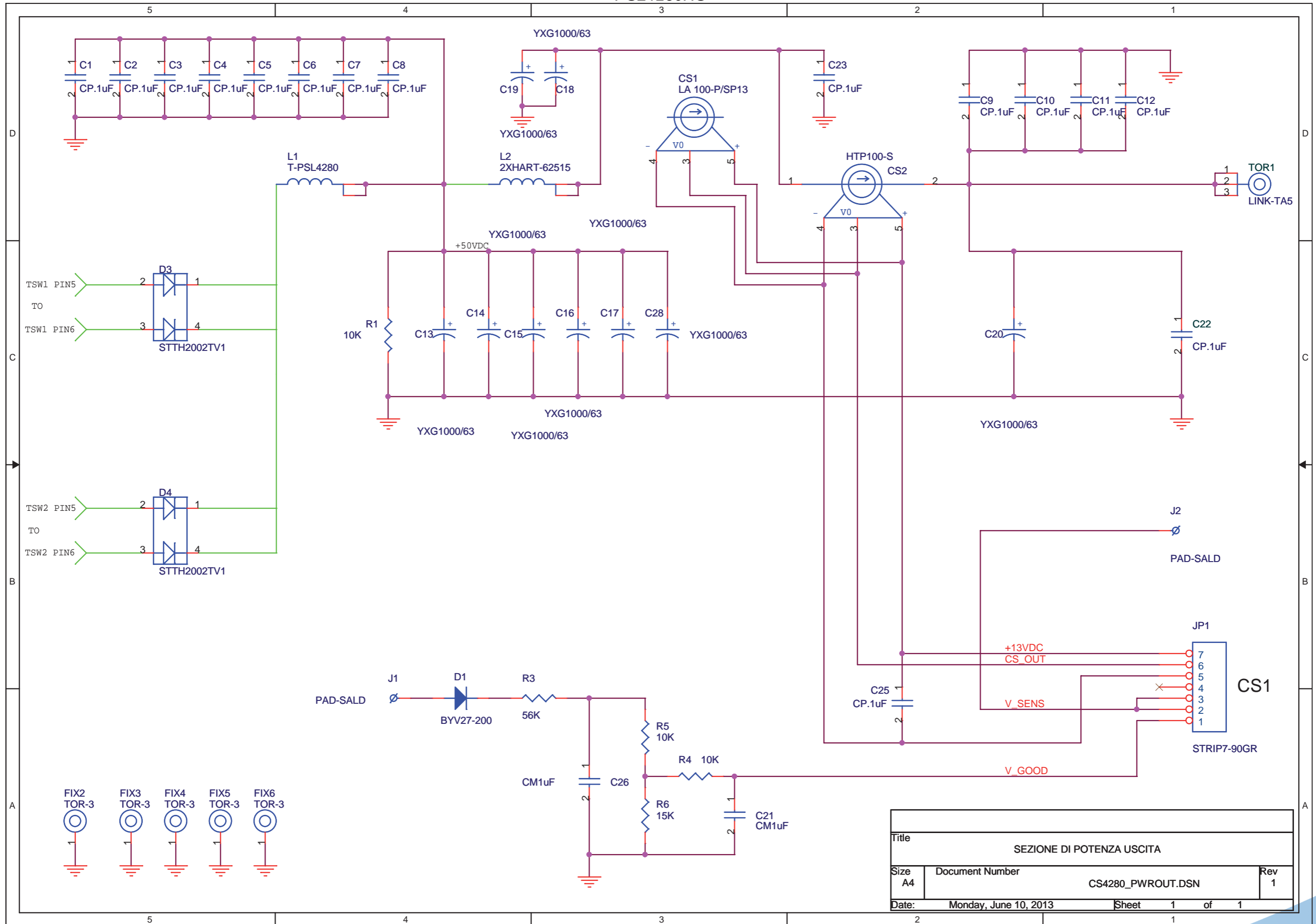
Item	Quantity	Reference	Part
1	1	CS1	PE-51718
2	2	C8,C1	Y2K2pF
3	1	C2	470/400
4	2	C4,C3	CP2.2/400
5	2	C6,C5	CD10KpF-1KV
6	1	C7	CP.1uF-400'V
7	4	C9,C10,C11,C12	1KpF
8	6	D1,D2,D3,D4,D5,D6	STTH8R06D-RHRP860
9	4	FIX1,FIX2,FIX4,FIX11	FIX35
10	3	FIX6,FIX8,FIX10	FIX-SNAP
11	4	FST1,FST2,H10,H11	FAST-ON
12	1	F1	TMC-PSL5060
13	2	H1,H2	KL105/29
14	1	JP1	KRA3/2
15	1	JP4	STRIP 6
16	2	L2,L1	1.5uH
17	2	MD1,MD2	MODULO MOS
18	4	Q1,Q2,Q3,Q4	STW45NM50-SIG47N60E-GE3
19	1	RV1	VARISTOR-385Vac
20	1	R1	470K
21	2	TSW1,TSW2	TSWTCH42

PSL4280HS



ARCHIVIO: X:\WORKDWG\	
TITLE PIANO DI MONTAGGIO POWER OUT PSL4280	
DOCUMENT NUMBER CS4280PWRDUT_R1_MNT. DWG	REV 1
DATE:	10 GIUGNO 2013

PSL4280HS



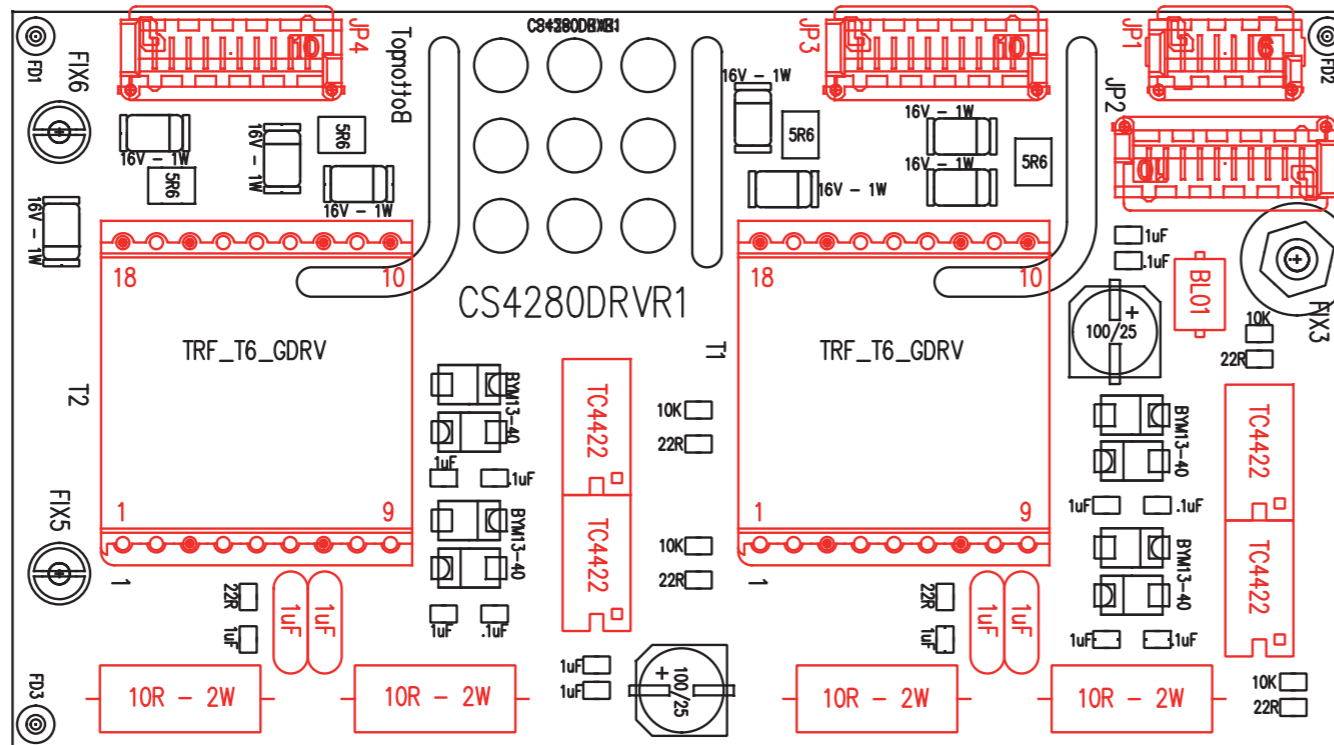
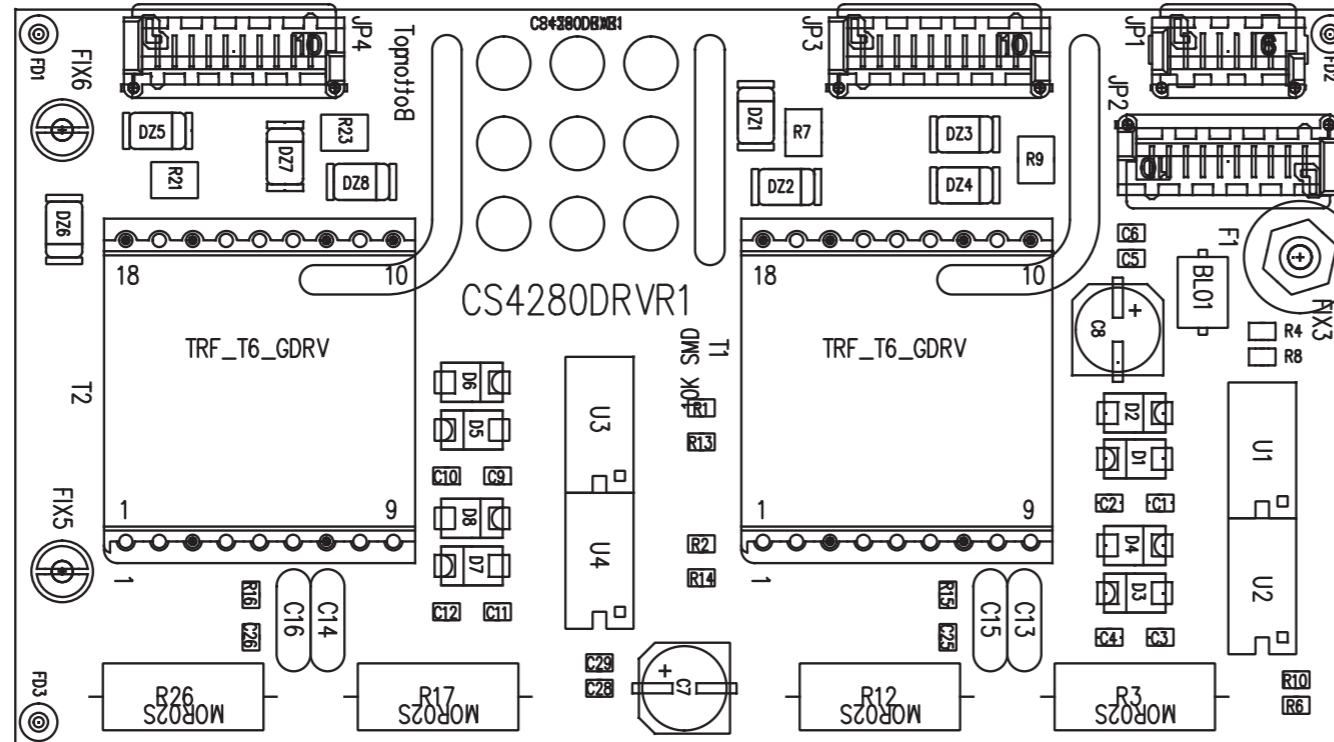
Title			SEZIONE DI POTENZA USCITA		
Size	Document Number				Rev
A4	CS4280_PWRROUT.DSN				1
Date:	Monday, June 10, 2013	Sheet	1	of	1

PSL4280HS

CONNECT TA NTC OUT Revised: Monday, June 10, 2013
 CS4280CSOUR0.DSN Revision: 1

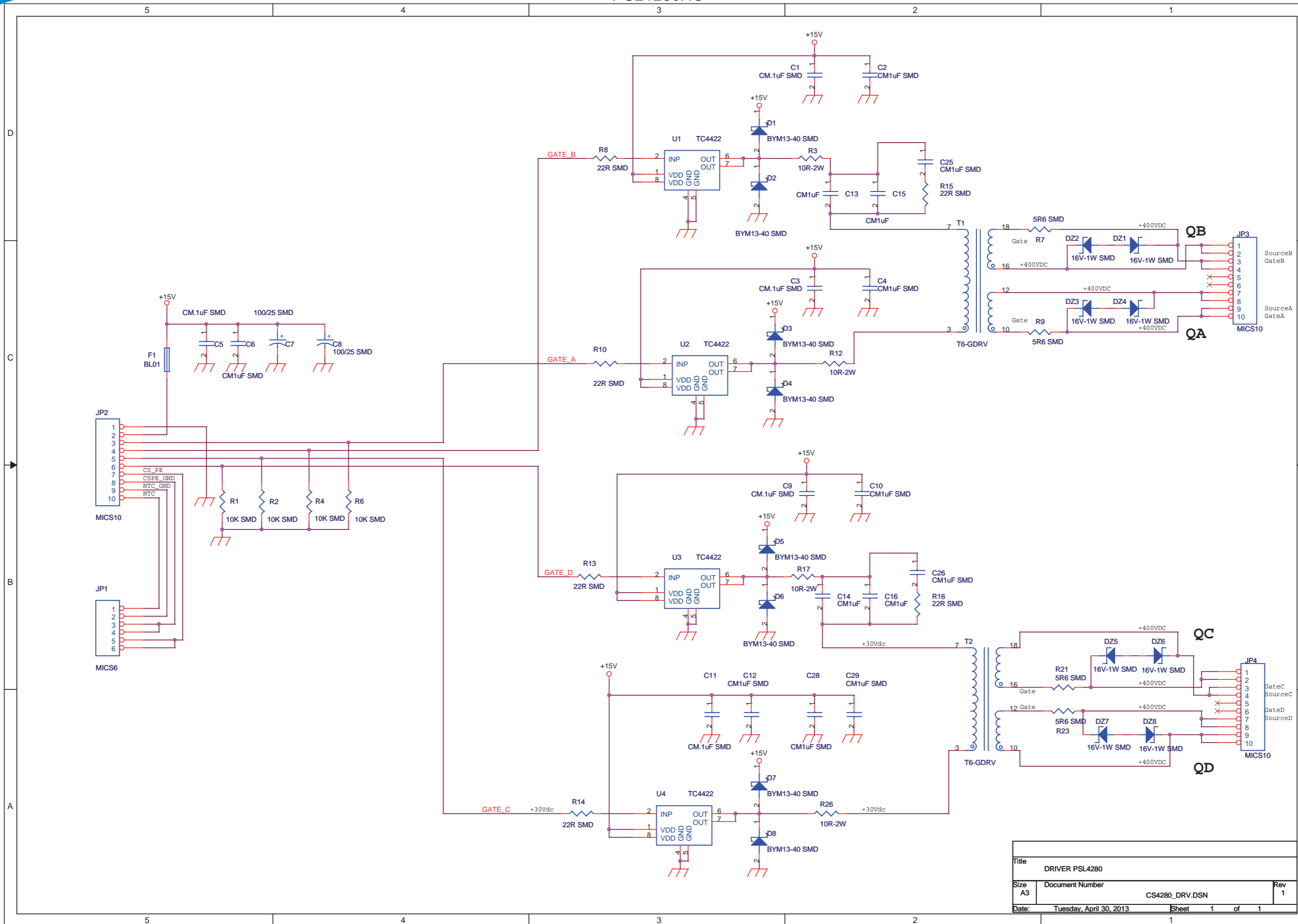
Item	Quantity	Reference	Part
1	2	C1,C2	CM.1uF
2	1	JP1	MICS6
3	1	JP2	STRIP7-90GR
4	1	J1	JUMP 2P
5	1	R1	10R-1/4W

PSL4280HS



ARCHIVIO: X:\WORKDWG\	
TITLE PIANO DI MONTAGGIO DRIVER	
DOCUMENT NUMBER CS4280DRV_R1_MNT. DWG	REV 1
DATE: 23 GIUGNO 2013	

PSL4280HS



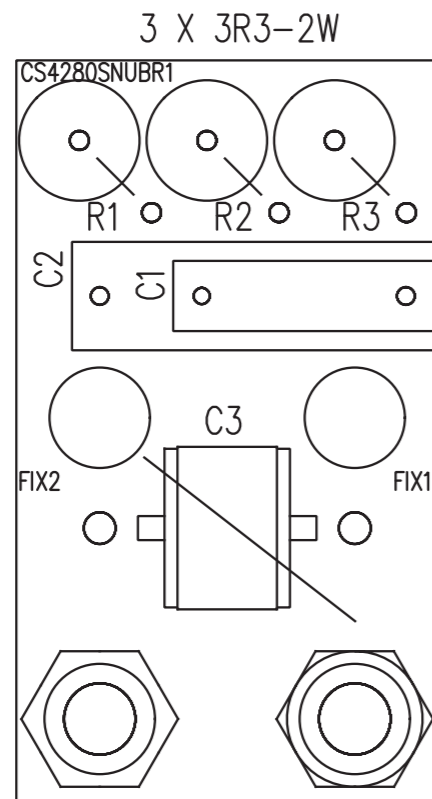
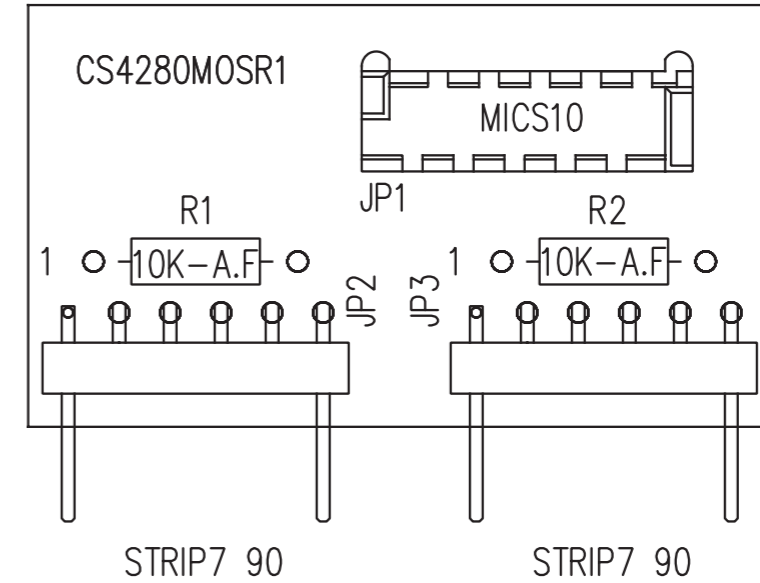
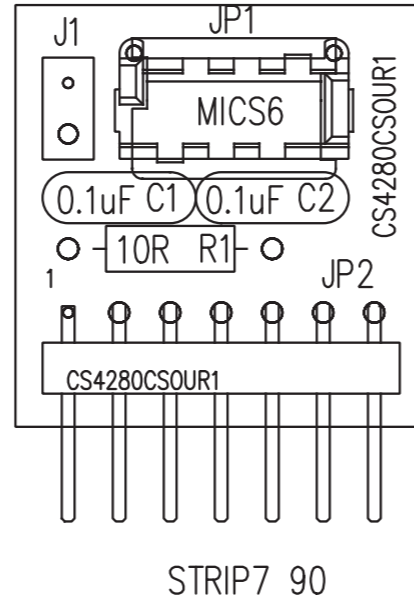
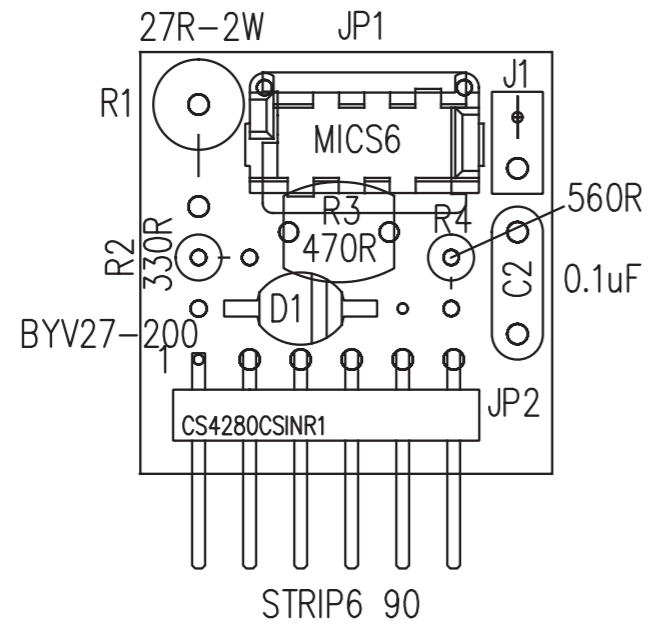
Title			DRIVER PSL4280
Size	Document Number	Rev	
A3	CS4280_DRV.DSN	1	
Date:	Tuesday, April 30, 2013	Sheet	1 of 1

PSL4280HS

DRIVER PSL4280 Revised: Tuesday, April 30, 2013
 CS4280_DRV.DSN Revision: 1

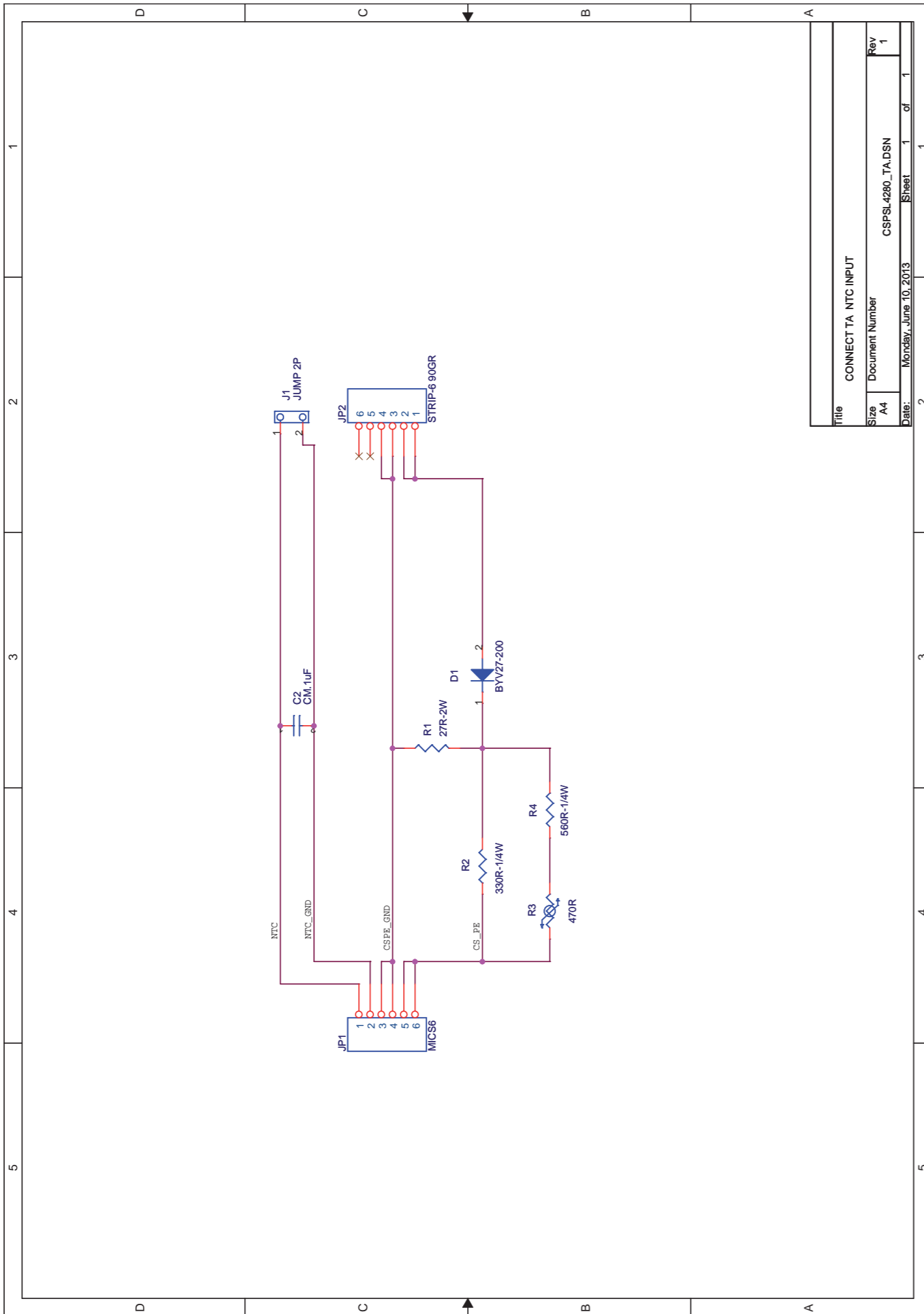
Item	Quantity	Reference	Part
1	5	C1,C3,C5,C9,C11	CM.1uF SMD
2	9	C2,C4,C6,C10,C12,C25,C26,C28,C29	CM1uF SMD
3	2	C8,C7	100/25 SMD
4	4	C13,C14,C15,C16	CM1uF
5	8	DZ1,DZ2,DZ3,DZ4,DZ5,DZ6,DZ7,DZ8	16V-1W SMD
6	8	D1,D2,D3,D4,D5,D6,D7,D8	BYM13-40 SMD
7	1	F1	BL01
8	1	JP1	MICS6
9	3	JP2,JP3,JP4	MICS10
10	4	R1,R2,R4,R6	10K SMD
11	4	R3,R12,R17,R26	10R-2W
12	4	R7,R9,R21,R23	5R6 SMD
13	6	R8,R10,R13,R14,R15,R16	22R SMD
14	2	T1,T2	T6-GDRV
15	4	U1,U2,U3,U4	TC4422

PSL4280HS



ARCHIVIO: X:\WORKDWG\	
TITLE PIANO DI MONTAGGIO CSIN CSOUT MOSFET SNUBBER PSL4280	
DOCUMENT NUMBER CS4280CSIN_OUT_MOS_R1_SNUB_MNT. DWG	REV 1
DATE:	10 GIUGNO 2013

PSL4280HS

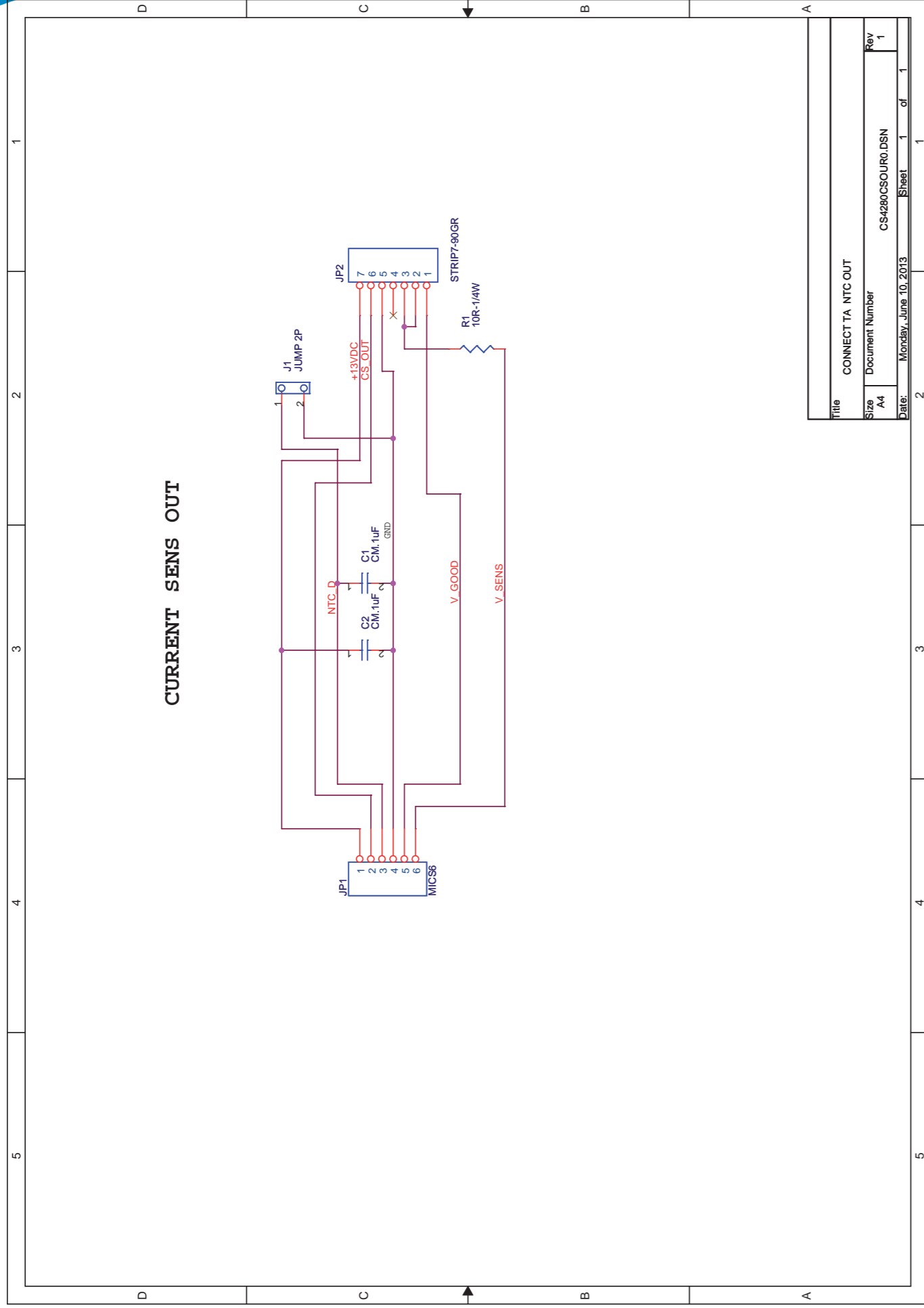


Title	CONNECT TA NTC INPUT
Size	A4
Document Number	CSPSL4280_TA.DSN
Rev	1
Date	Monday, June 10, 2013
Sheet	1 of 1

SEZIONE DI POTENZA INGRESSO Revised: Thursday, May 16, 2013
PSL4280_PWRIN.DSN Revision: 1

Item	Quantity	Reference	Part
1	1	CS1	PE-51718
2	2	C8,C1	Y2K2pF
3	1	C2	470/400
4	2	C4,C3	CP2.2/400
5	2	C6,C5	CD10KpF-1KV
6	1	C7	CP.1uF-400'V
7	4	C9,C10,C11,C12	1KpF
8	6	D1,D2,D3,D4,D5,D6	STTH8R06D-RHRP860
9	4	FIX1,FIX2,FIX4,FIX11	FIX35
10	3	FIX6,FIX8,FIX10	FIX-SNAP
11	4	FST1,FST2,H10,H11	FAST-ON
12	1	F1	TMC-PSL5060
13	2	H1,H2	KL105/29
14	1	JP1	KRA3/2
15	1	JP4	STRIP 6
16	2	L2,L1	1.5uH
17	2	MD1,MD2	MODULO MOS
18	4	Q1,Q2,Q3,Q4	STW45NM50-SiG47N60E-GE3
19	1	RV1	VARISTOR-385Vac
20	1	R1	470K
21	2	TSW1,TSW2	TSWTCH42

PSL4280HS



Title	CONNECT TA NTC OUT
Size	A4
Document Number	CS4280CSOURO.DSN
Date	Monday, June 10, 2013
Sheet	1 of 1

CONNECT TA NTC OUT Revised: Monday, June 10, 2013
 CS4280CSOURO.DSN Revision: 1

Item	Quantity	Reference	Part
1	2	C1,C2	CM.1uF
2	1	JP1	MICS6
3	1	JP2	STRIP7-90GR
4	1	J1	JUMP 2P
5	1	R1	10R-1/4W

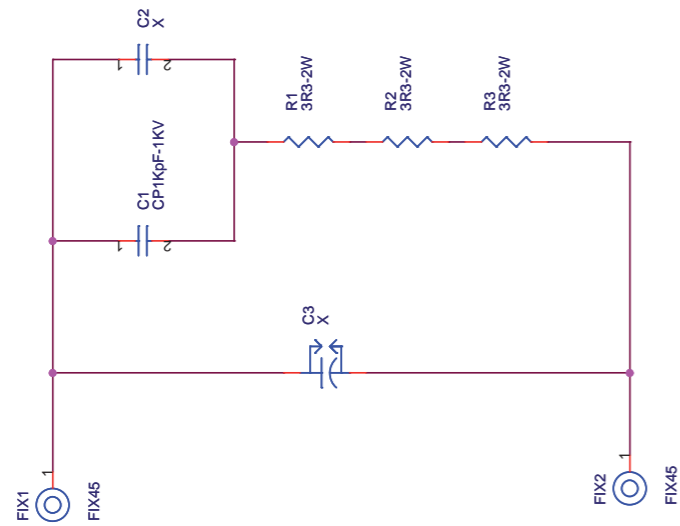
PSL4280HS

Title	SNUBBER DIODE OUT
Document Number	CS4280SNUBR0.DSN
Rev	1
Size	A4
Date:	Monday, June 10, 2013
Sheet	1 of 1

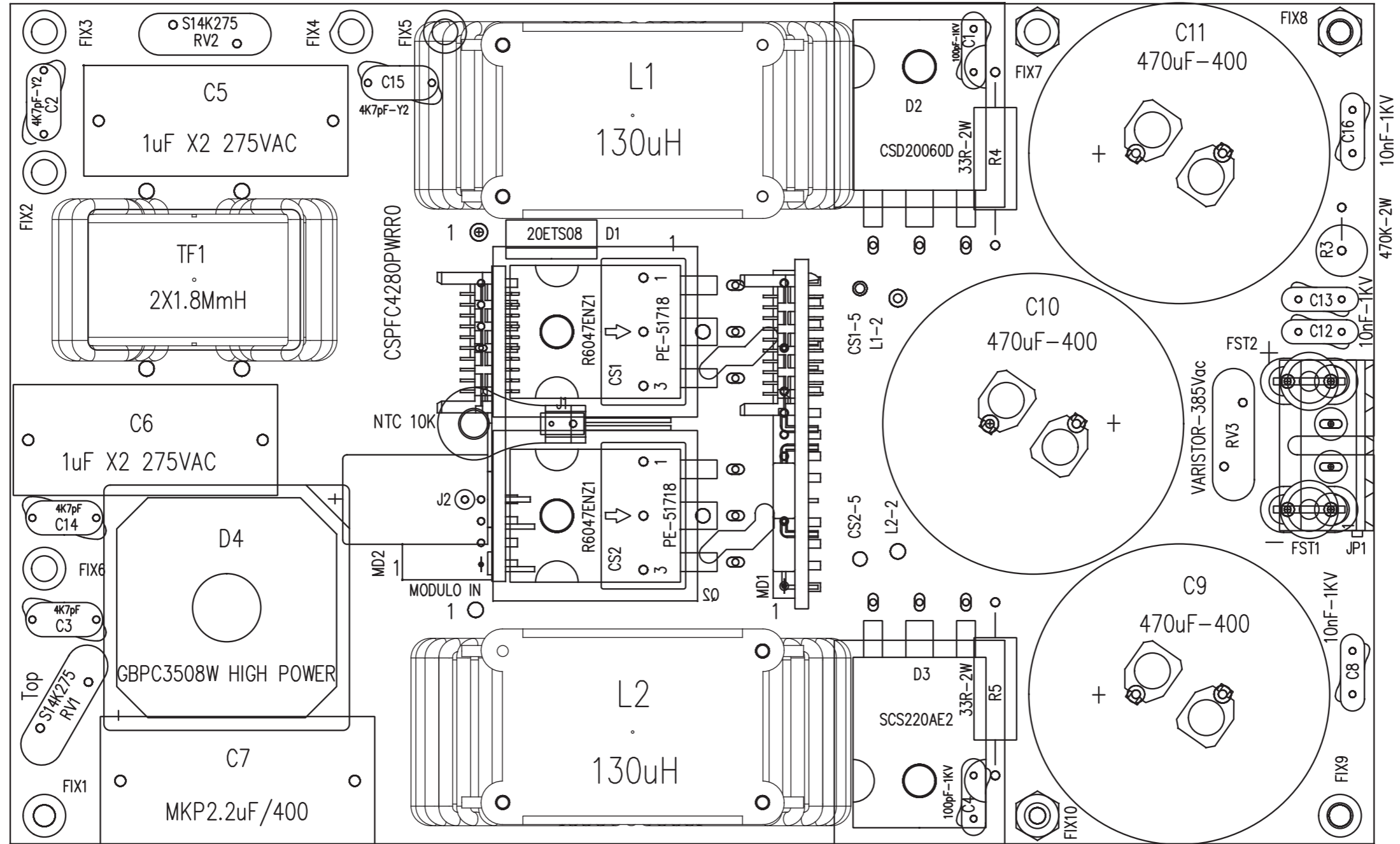
SNUBBER DIODE OUT Revised: Monday, June 10, 2013
CS4280SNUBR0.DSN Revision: 1

Item	Quantity	Reference	Part
1	1	C1	CP1KpF-1KV
2	2	C2,C3	X
3	2	FIX1, FIX2	FIX45
4	3	R1, R2, R3	3R3-2W

SNUBBER DIODE SOT227

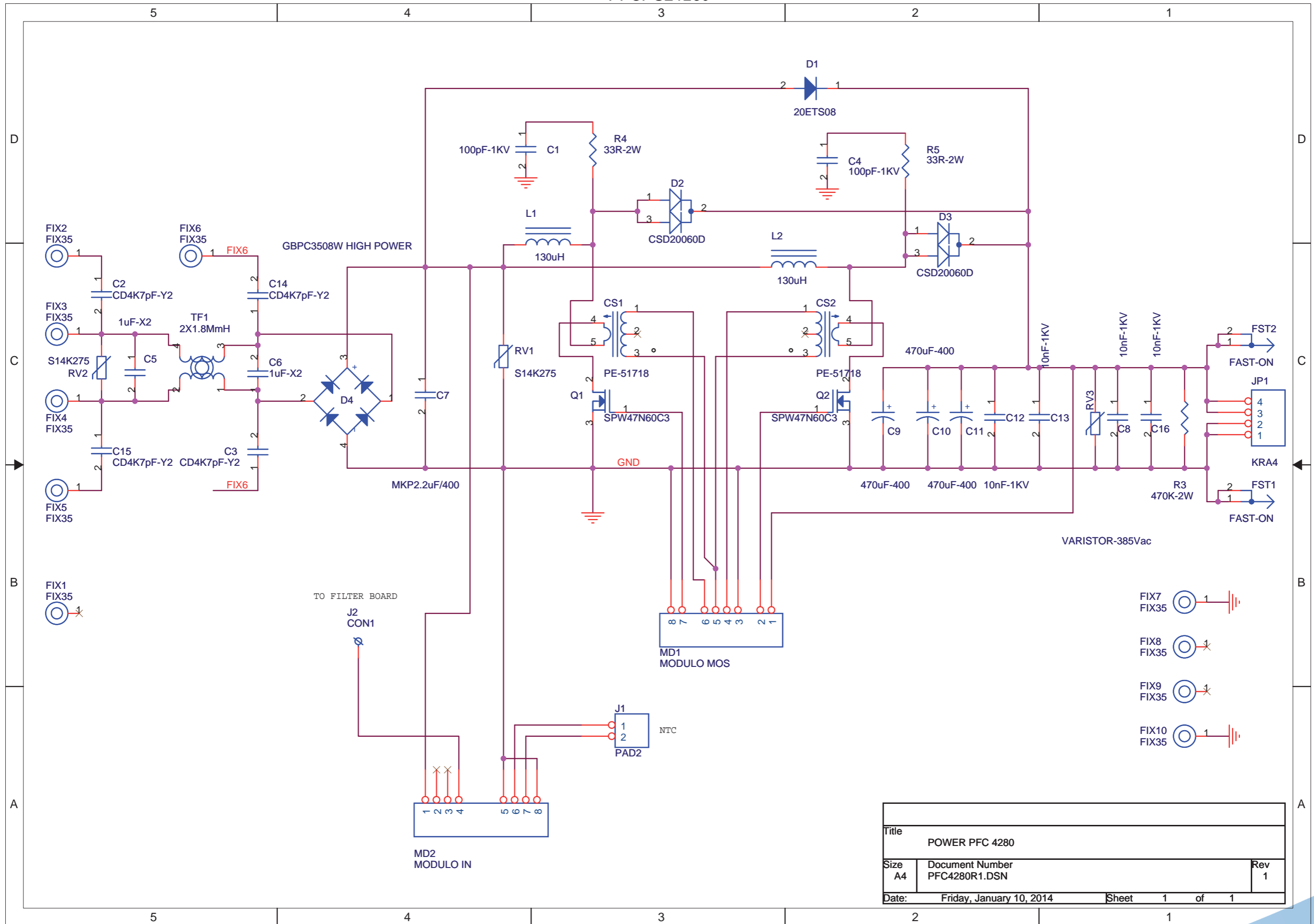


PFCPSL4280



ARCHIVIO: X:\WORKDWG\	
TITLE PIANO DI MONTAGGIO PWR PFC4280 R1	
DOCUMENT NUMBER PFC4280PWR_R1_MNT. DWG	REV 1
DATE: 4 MARZO 2014	

PFCPSL4280



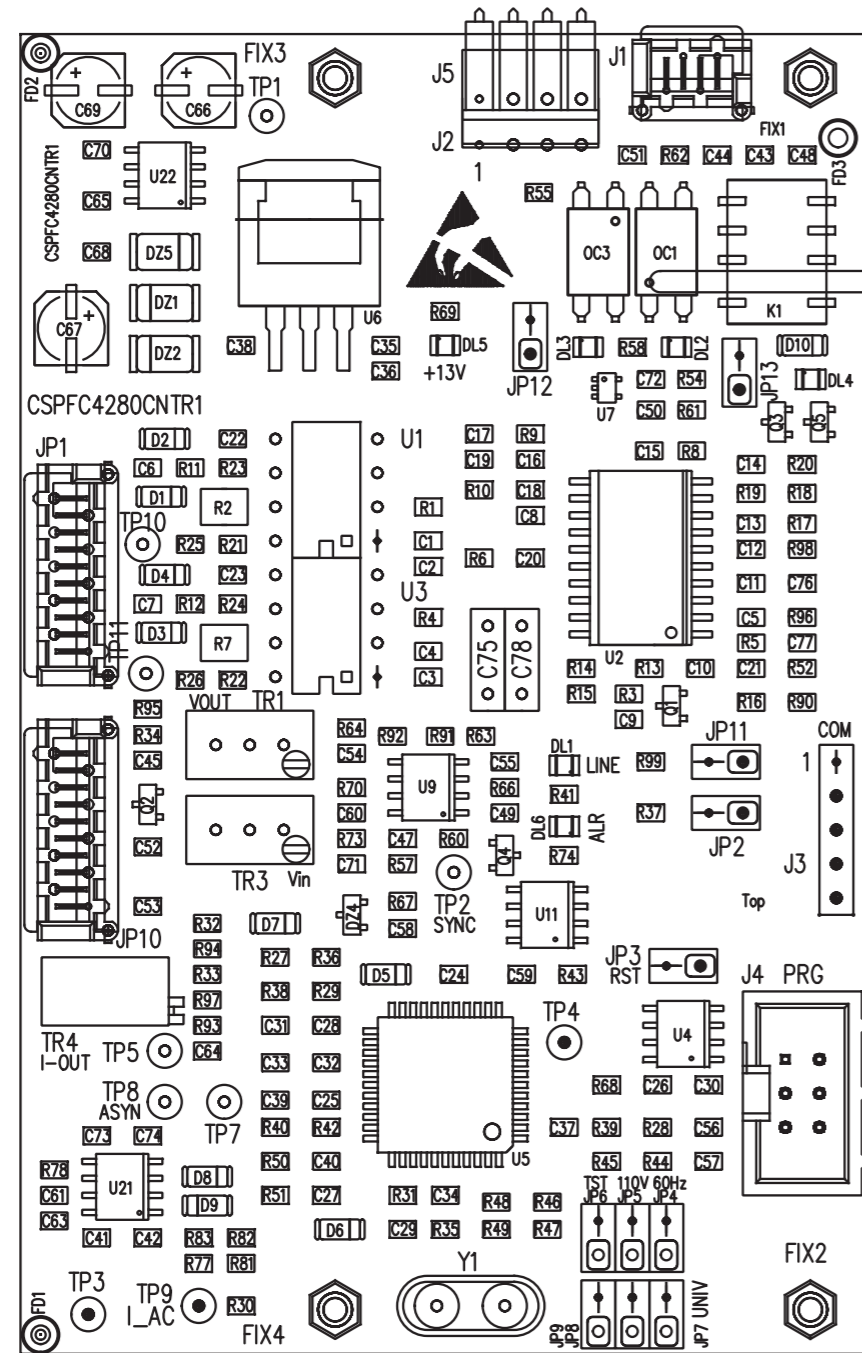
Title		
POWER PFC 4280		
Size	Document Number	Rev
A4	PFC4280R1.DSN	1
Date:	Friday, January 10, 2014	Sheet 1 of 1

PFCPSL4280

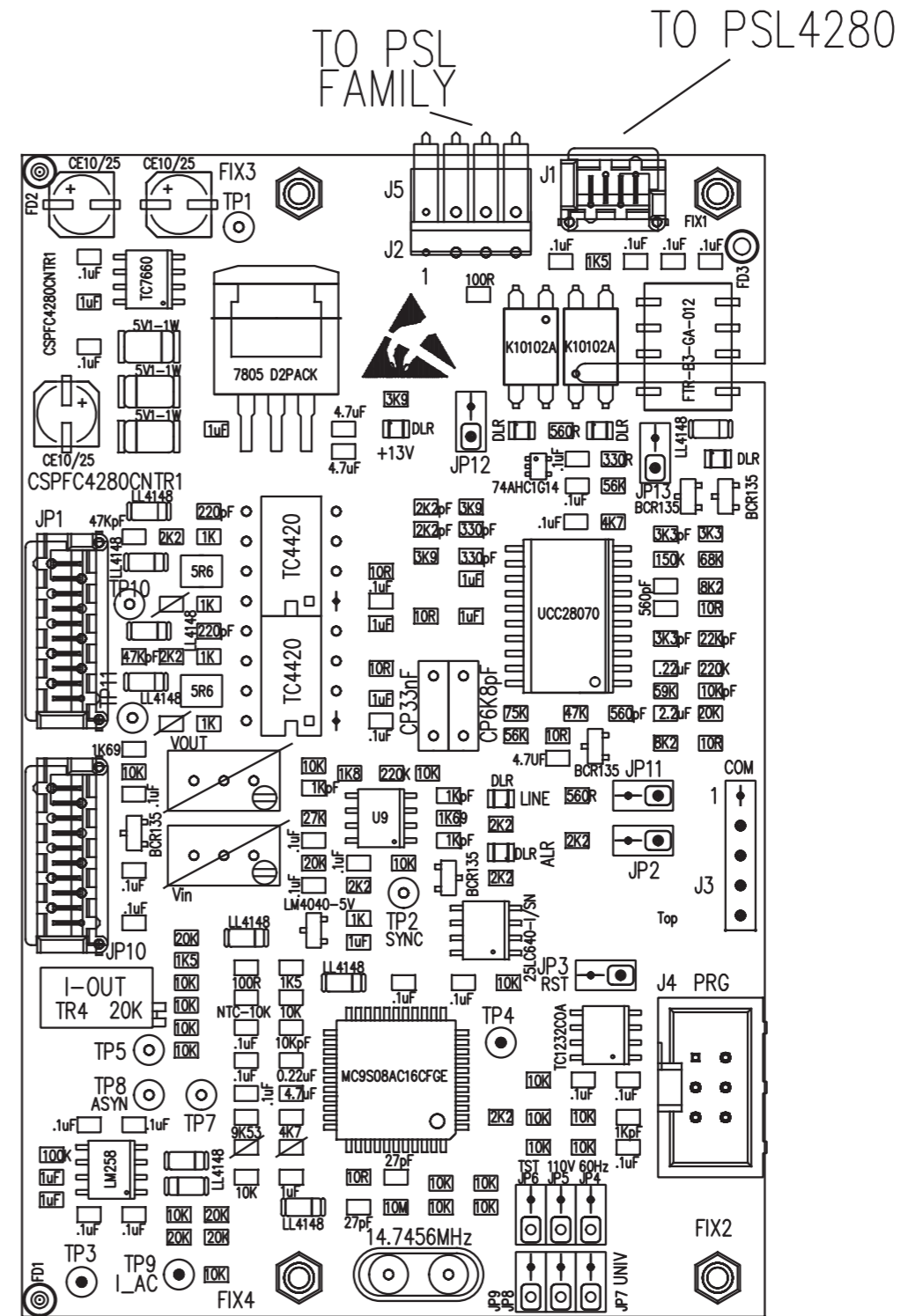
POWER PFC 4280 Revised: Friday, January 10, 2014
 PFC4280R1.DSN Revision: 1

Item	Quantity	Reference	Part
1	2	CS2,CS1	PE-51718
2	2	C1,C4	100pF-1KV
3	4	C2,C3,C14,C15	CD4K7pF-Y2
4	2	C5C6	1uF-X2
5	1	C7	MKP2.2uF/400
6	4	C8,C12,C13,C16	10nF-1KV
7	3	C9,C10,C11	470uF-400
8	1	D1	20ETS08
9	2	D2,D3	CSD20060D
10	1	D4	GBPC3508W HIGH POWER
11	10	FIX1,FIX2,FIX3,FIX4,FIX5,FIX6,FIX7,FIX8,FIX9,FIX10	FIX35
12	2	FST1,FST2	FAST-ON
13	1	JP1	KRA4
14	1	J1	PAD2
15	1	J2	CON1
16	2	L1,L2	130uH
17	1	MD1	MODULO MOS
18	1	MD2	MODULO IN
19	2	Q1,Q2	SPW47N60C3
20	2	RV2,RV1	S14K275
21	1	RV3	VARISTOR-385Vac
22	1	R3	470K-2W
23	2	R4,R5	33R-2W
24	1	TF1	2X1.8MmH

PFPCSL4280



FLT MOS

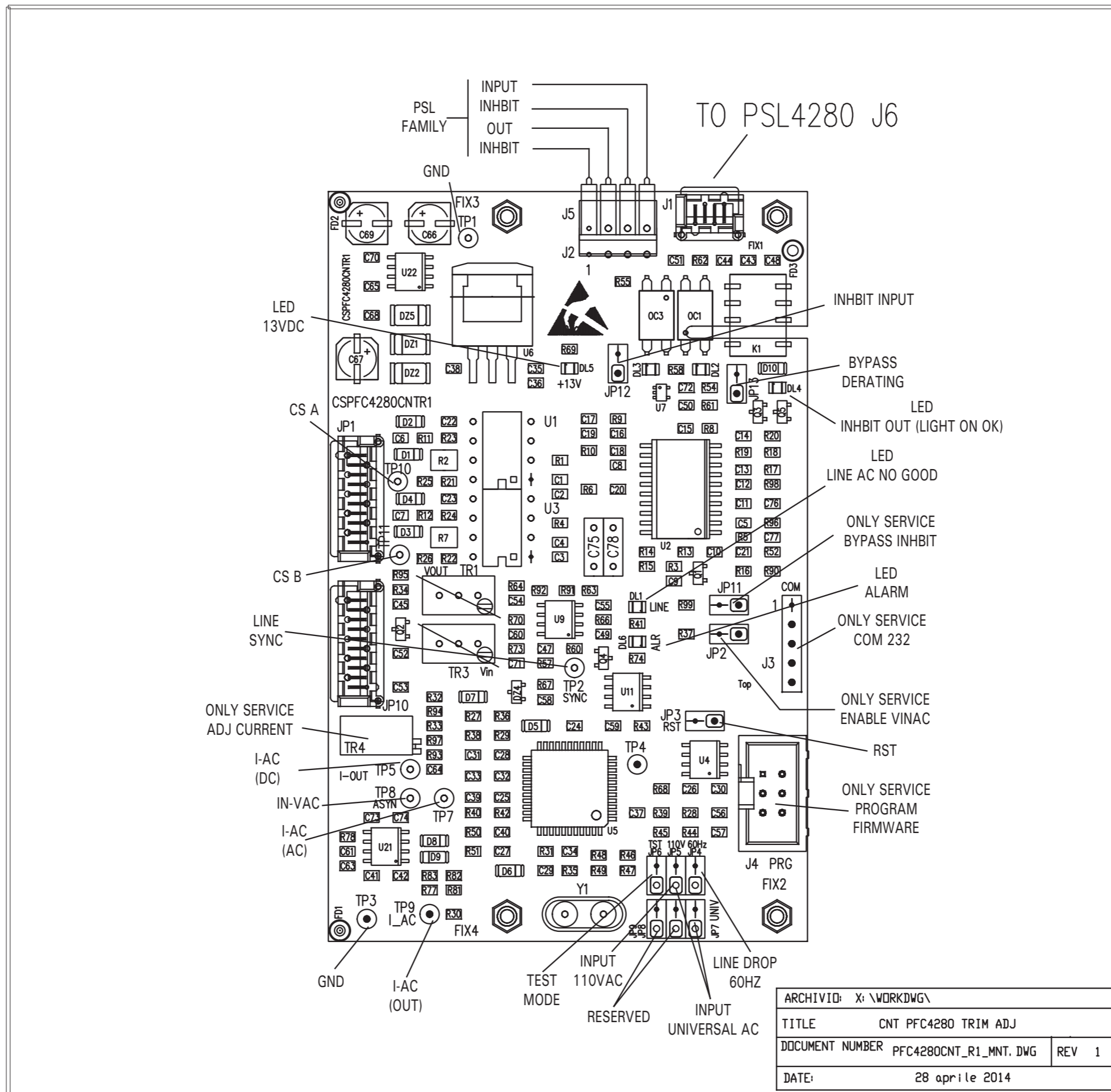


TO PSL FAMILY

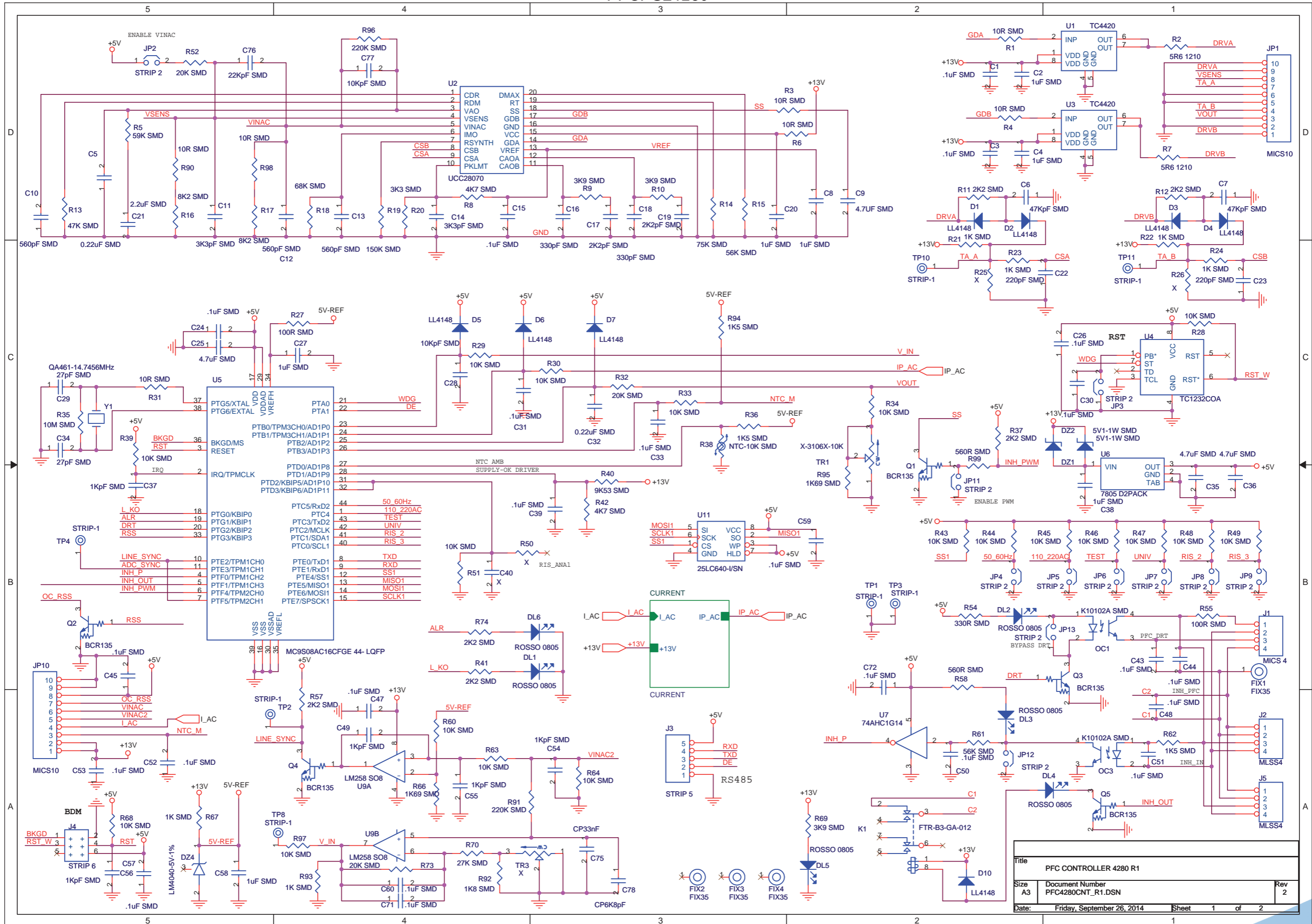
TO PSL4280

ARCHIVIO: X:\WORKDWG\	
TITLE PIANO DI MONTAGGIO CNT PFC4280	
DOCUMENT NUMBER PFC4280CNT_R1_MNT. DWG	REV 2
DATE: 24 SETTEMBRE 2014	

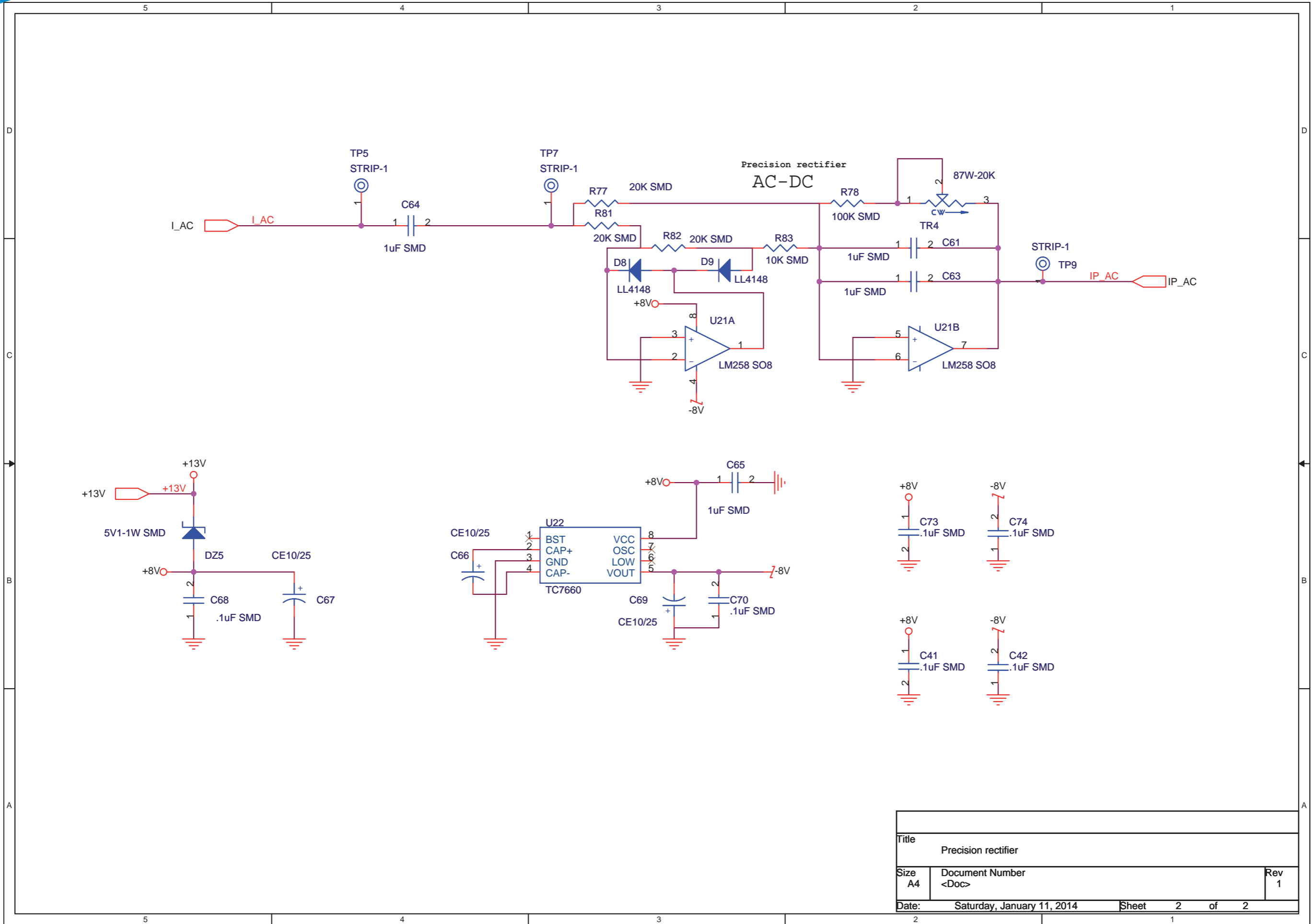
PFCPSL4280



PFCPSL4280



PFCPSL4280



Title		
Precision rectifier		
Size	Document Number	Rev
A4	<Doc>	1
Date:	Saturday, January 11, 2014	Sheet 2 of 2

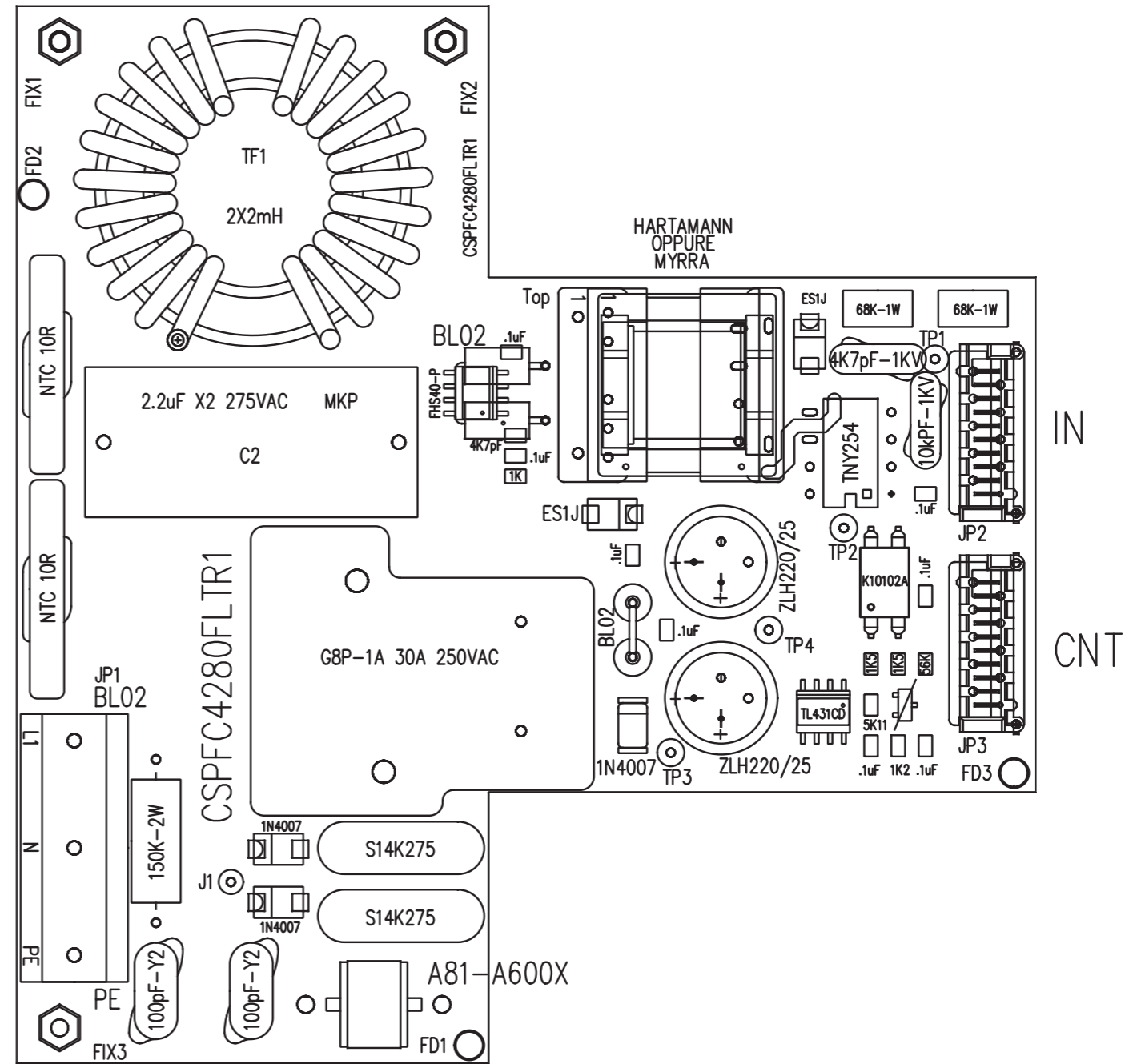
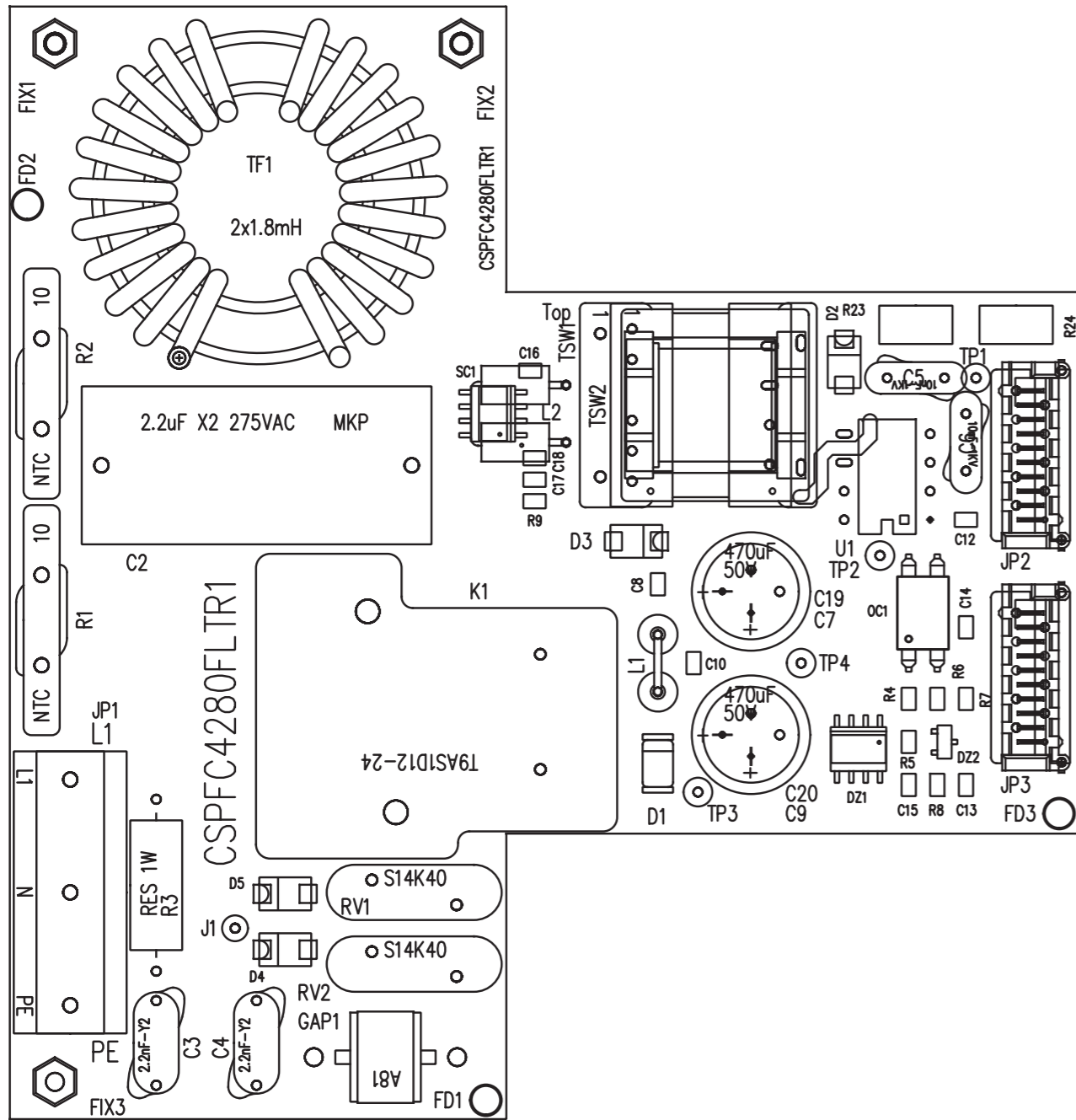
PFCPSL4280

PFC CONTROLLER 4280 R1 Revised: Monday, April 28, 2014
PFC4280CNT_R0.DSN Revision: 1

Item	Quantity	Reference	Part
1	29	C1,C3,C15,C24,C26,C30,C31,C33,C39,C41,C42,C43,C44,C45,C47,C48,C50,C51,C52,C53,C57,C59,C60,C68,C70,C71,C72,C73,C74	.1uF SMD
2	11	C2,C4,C8,C20,C27,C38,C58,C61,C63,C64,C65	1uF SMD
3	2	C5,C32	0.22uF SMD
4	2	C6,C7	47KpF SMD
5	4	C9,C25,C35,C36	4.7UF SMD
6	4	C10,C12,C13,C49	560pF SMD
7	2	C14,C11	3K3pF SMD
8	2	C16,C18	330pF SMD
9	2	C17,C19	2K2pF SMD
10	1	C21	2.2uF SMD
11	2	C23,C22	220pF SMD
12	2	C28,C77	10KpF SMD
13	2	C34,C29	27pF SMD
14	4	C37,C54,C55,C56	1KpF SMD
15	5	TR3,R25,R26,C40,R50	X
16	3	C66,C67,C69	CE10/25
17	1	C75	CP33nF
18	1	C76	22KpF SMD
19	1	C78	CP6K8pF
20	6	DL1,DL2,DL3,DL4,DL5,DL6	ROSSO 0805
21	3	DZ1,DZ2,DZ5	5V1-1W SMD
22	1	DZ4	LM4040-5V-1%
23	10	D1,D2,D3,D4,D5,D6,D7,D8,D9,D10	LL4148
24	4	FIX1,FIX2,FIX3,FIX4	FIX35
25	2	JP1,JP10	MICS10
26	11	JP2,JP3,JP4,JP5,JP6,JP7,JP8,JP9,JP11,JP12,JP13	STRIP 2
27	1	J1	MICS 4
28	2	J5,J2	MLSS4
29	1	J3	STRIP 5
30	1	J4	STRIP 6
31	1	K1	FTR-B3-GA-012
32	2	OC1,OC3	K10102A SMD
33	5	Q1,Q2,Q3,Q4,Q5	BCR135
34	7	R1,R3,R4,R6,R31,R90,R98	10R SMD
35	2	R2,R7	5R6 1210
36	1	R5	59K SMD
37	2	R42,R8	4K7 SMD
38	3	R9,R10,R69	3K9 SMD
39	6	R11,R12,R37,R41,R57,R74	2K2 SMD
40	1	R13	47K SMD
41	1	R14	75K SMD
42	2	R15,R61	56K SMD
43	2	R17,R16	8K2 SMD
44	1	R18	68K SMD
45	1	R19	150K SMD
46	1	R20	3K3 SMD
47	6	R21,R22,R23,R24,R67,R93	1K SMD
48	2	R27,R55	100R SMD
49	20	R28,R29,R30,R33,R34,R39,R43,R44,R45,R46,R47,R48,R49,R51,R60,R63,R64,R68,R83,R97	10K SMD
50	6	R32,R52,R73,R77,R81,R82	20K SMD
51	1	R35	10M SMD
52	3	R36,R62,R66,R94	1K5 SMD
53	1	R38	NTC-10K SMD
54	1	R40	9K53 SMD
55	1	R54	330R SMD

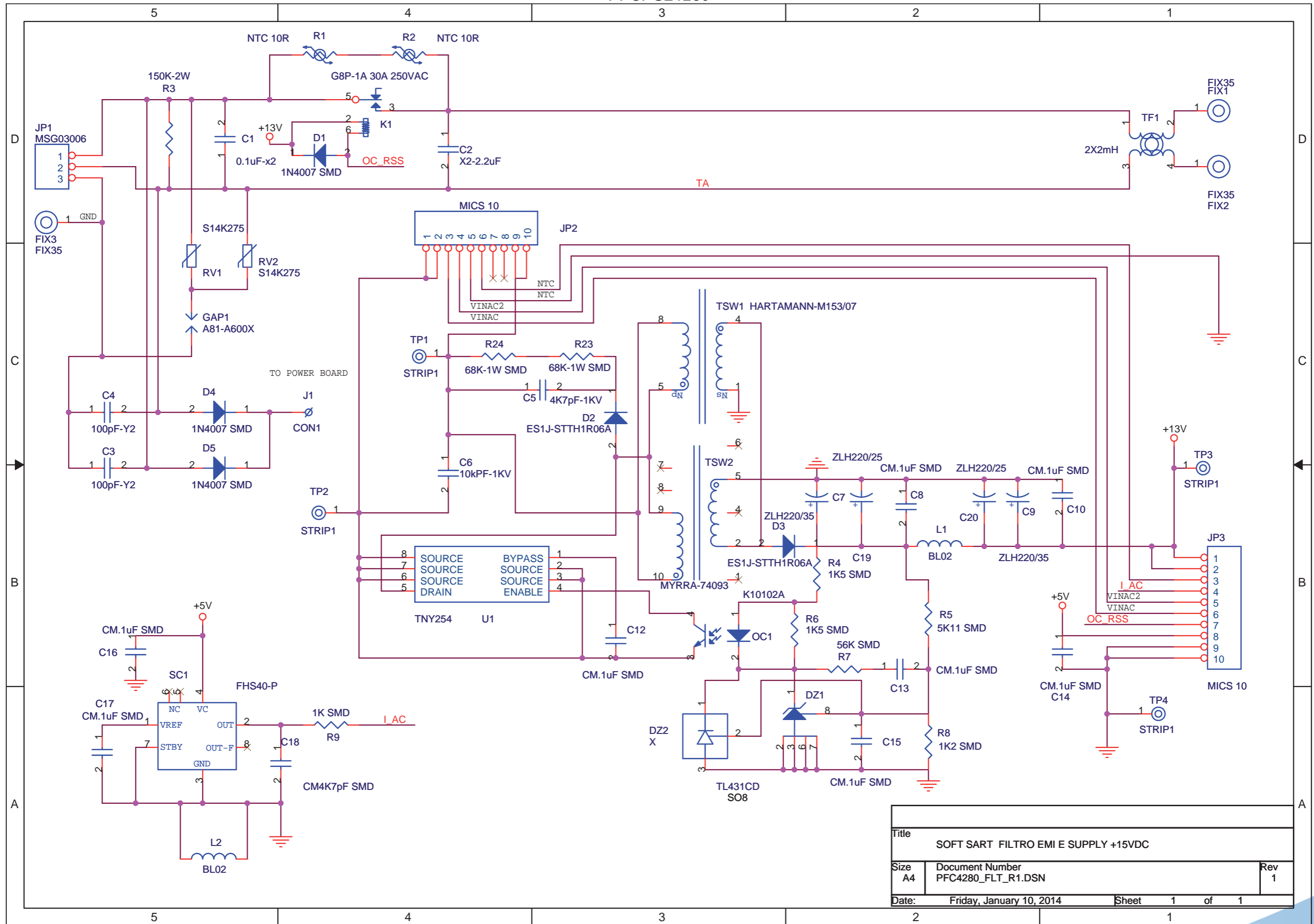
Item	Quantity	Reference	Part
56	2	R58,R99	560R SMD
57	1	R70	27K SMD
58	1	R78	100K SMD
59	2	R96,R91	220K SMD
60	1	R92	1K8 SMD
61	1	R95	1K69 SMD
62	10	TP1,TP2,TP3,TP4,TP5,TP7,TP8,TP9,TP10,TP11	STRIP-1
63	1	TR1	X-3106X-10K
64	1	TR4	87W-20K
65	2	U3,U1	TC4420
66	1	U2	UCC28070
67	1	U4	TC1232COA
68	1	U5	MC9S08AC16CFGE 44- LQFP
69	1	U6	7805 D2PACK
70	1	U7	74AHC1G14
71	2	U21,U9	LM258 SO8
72	1	U11	25LC640-I/SN
73	1	U22	TC7660
74	1	Y1	QA461-14.7456MHz

PFCPSL4280



ARCHIVIO: X:\WORKDWG\	
TITLE PIANO DI MONTAGGIO FLT PFC4280	
DOCUMENT NUMBER PFC4280_FLT_R1_MNT. DWG	REV 1
DATE: 4 MARZO 2014	

PFCPSL4280



Title		
SOFT SART FILTRO EMI E SUPPLY +15VDC		
Size	Document Number	Rev
A4	PFC4280_FLT_R1.DSN	1
Date:	Friday, January 10, 2014	Sheet 1 of 1

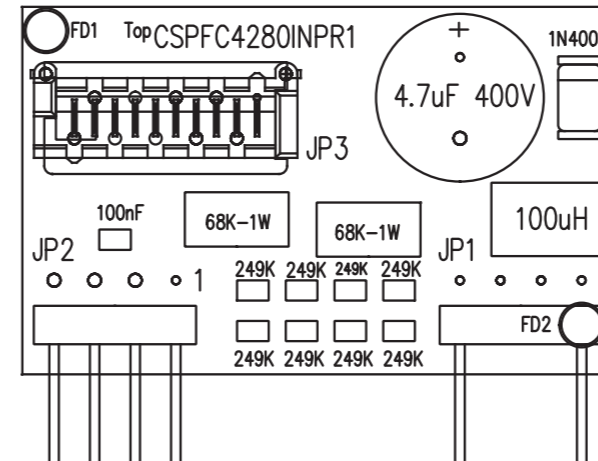
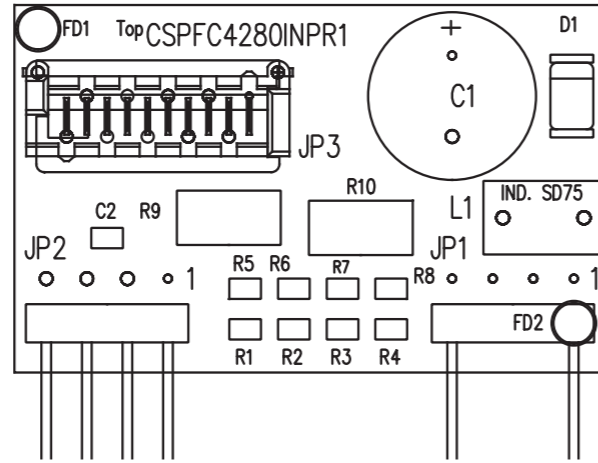
PFCPSL4280

SOFT SART FILTRO EMI E SUPPLY +15VDC Revised: Friday, January 10, 2014
 PFC4280_FLT_R1.DSN Revision: 1

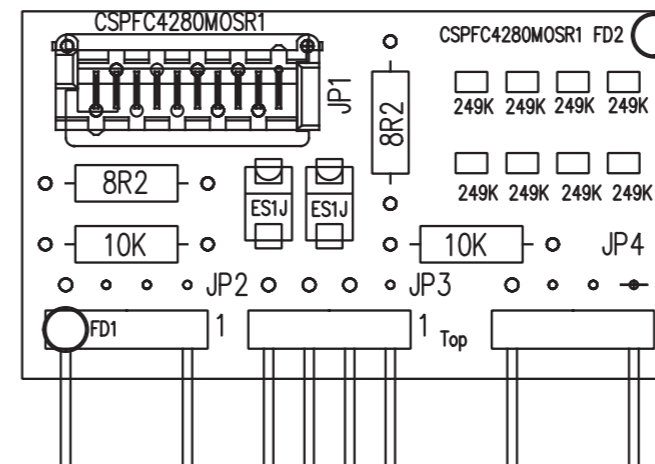
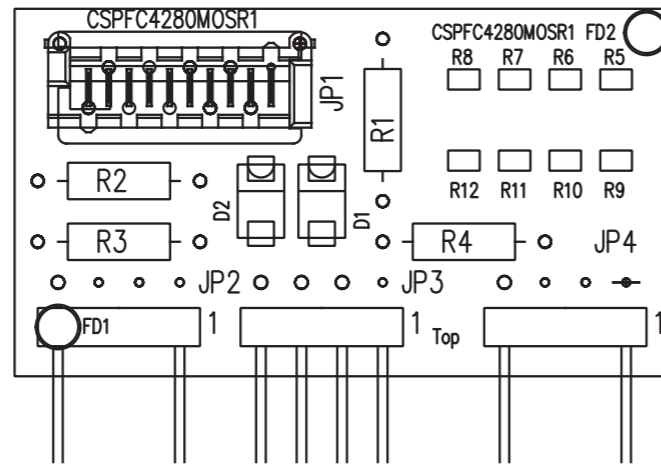
Item	Quantity	Reference	Part
1	1	C1	0.1uF-x2
2	1	C2	X2-2.2uF
3	2	C3,C4	100pF-Y2
4	1	C5	4K7pF-1KV
5	1	C6	10kPF-1KV
6	2	C9,C7	ZLH220/35
7	8	C8,C10,C12,C13,C14,C15,C16,C17	CM.1uF SMD
8	1	C18	CM4K7pF SMD
9	2	C20,C19	ZLH220/25
10	1	DZ1	TL431CD
11	1	DZ2	X
12	3	D1,D4,D5	1N4007 SMD
13	2	D3,D2	ES1J-STTH1R06A
14	3	FIX1,FIX2,FIX3	FIX35
15	1	GAP1	A81-A600X
16	1	JP1	MSG03006
17	2	JP2,JP3	MICS 10
18	1	J1	CON1
19	1	K1	G8P-1A 30A 250VAC
20	2	L1,L2	BL02
21	1	OC1	K10102A
22	2	RV1,RV2	S14K275
23	2	R2,R1	NTC 10R
24	1	R3	150K-2W
25	2	R6,R4	1K5 SMD
26	1	R5	5K11 SMD
27	1	R7	56K SMD
28	1	R8	1K2 SMD
29	1	R9	1K SMD
30	2	R23,R24	68K-1W SMD
31	1	SC1	FHS40-P
32	1	TF1	2X2mH
33	4	TP1,TP2,TP3,TP4	STRIP1
34	1	TSW1	HARTAMANN-M153/07
35	1	TSW2	MYRRA-74093
36	1	U1	TNY254

PFCPSL4280

INPUT



MOS



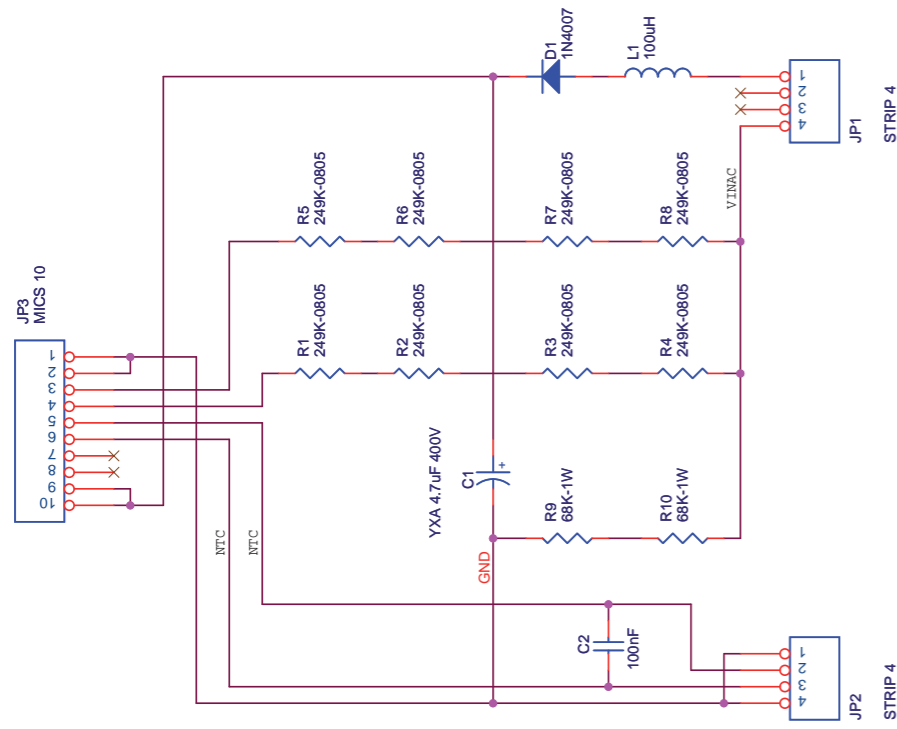
ARCHIVIO: X:\WORKDWG\	
TITLE PIANO DI MONTAGGIO INPUT MOS PFC4280	
DOCUMENT NUMBER	REV
PFC4280INPR1_MOSR1_MNT. DWG	
DATE:	4 MARZO 2014

PFPSL4280

Title	MODULO PFC 4280 INPUT
Size	A4
Document Number	<Doc>
Rev	0
Date	Monday, January 13, 2014
Sheet	1 of 1

MODULO PFC 4280 INPUT Revised: Monday, January 13, 2014
Revision: 0

Item	Quantity	Reference	Part
1	1	C1	YXA 4.7uF 400V
2	1	C2	100nF
3	1	D1	1N4007
4	2	JP1,JP2	STRIP 4
5	1	JP3	MICS 10
6	1	L1	100uH
7	8	R1,R2,R3,R4,R5,R6,R7,R8	249K-0805
8	2	R9,R10	68K-1W

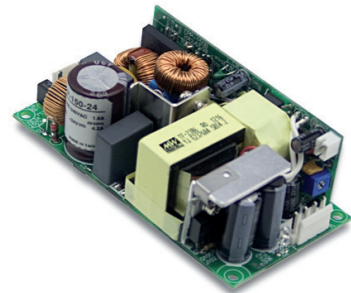


PSSWEPP15024



150W Single Output with PFC Function

EPP-150 series



- Features :
 - 4"x2" Compact size
 - Universal AC input / Full range
 - Built-in active PFC function
 - High efficiency up to 93%
 - Protections: Short circuit / Overload / Over voltage/ Over temperature
 - 100W free air convection, 150W with 20CFM forced air
 - LED indicator for power on
 - No load power consumption<0.5W
 - Built-in 12V/0.3A auxiliary output
 - 3 years warranty



SPECIFICATION

MODEL	EPP-150-12	EPP-150-15	EPP-150-24	EPP-150-27	EPP-150-48	
OUTPUT	DC VOLTAGE	12V	15V	24V	27V	48V
	RATED CURRENT (convection)	8.4A	6.7A	4.2A	3.71A	2.1A
	RATED CURRENT (20CFM FAN)	12.5A	10A	6.25A	5.56A	3.125A
	CURRENT RANGE (convection)	0 ~ 8.4A	0 ~ 6.7A	0 ~ 4.2A	0 ~ 3.71A	0 ~ 2.1A
	CURRENT RANGE (20CFM FAN)	0 ~ 12.5A	0 ~ 10A	0 ~ 6.25A	0 ~ 5.56A	0 ~ 3.125A
	RATED POWER (convection)	100.8W	100.5W	100.8W	100.17W	100.8W
	RATED POWER (20CFM FAN)	150W	150W	150W	150.12W	150W
	RIPPLE & NOISE (max.) Note.2	130mVp-p	150mVp-p	240mVp-p	240mVp-p	300mVp-p
	VOLTAGE ADJ. RANGE	11.76 ~ 12.6V	14.7 ~ 15.75V	23.52 ~ 25.2V	26.46 ~ 28.35V	47.04 ~ 50.4V
	VOLTAGE TOLERANCE Note.3	±2.0%	±2.0%	±1.0%	±1.0%	±1.0%
LINE REGULATION	±0.5%	±0.5%	±0.5%	±0.5%	±0.5%	
LOAD REGULATION	±1.0%	±1.0%	±1.0%	±1.0%	±1.0%	
SETUP, RISE TIME	1000ms, 30ms/230VAC	2000ms, 30ms/115VAC	at full load			
HOLD UP TIME (Typ.)	16ms/230VAC	16ms/115VAC	at full load			
INPUT	VOLTAGE RANGE Note.5	90 ~ 264VAC	127 ~ 370VDC			
	FREQUENCY RANGE	47 ~ 63Hz				
	POWER FACTOR (Typ.)	PF>0.95/230VAC	PF>0.98/115VAC	at full load		
	EFFICIENCY (Typ.)	91.5%	92%	93%	92%	92%
	AC CURRENT (Typ.)	1.8A/115VAC	1A/230VAC			
	INRUSH CURRENT (Typ.)	COLD START 70A/230VAC				
	LEAKAGE CURRENT	<2mA/240VAC				
PROTECTION	OVER LOAD	105 ~ 145% rated output power Protection type : Hiccup mode, recovers automatically after fault condition is removed				
	OVER VOLTAGE	13.2 ~ 15.6V	16.83 ~ 19.5V	27.7 ~ 31.5V	30.2 ~ 34.05V	51.3 ~ 62.7V
	OVER TEMPERATURE	Protection type : Shut down o/p voltage, re-power on to recover				
FUNCTION	AUXILIARY POWER(AUX)	12V@0.3A for driving a fan, tolerance ± 10% at main output 100% load				
	WORKING TEMP.	-30 ~ +70°C (Refer to "Derating Curve")				
ENVIRONMENT	WORKING HUMIDITY	20 ~ 90% RH non-condensing				
	STORAGE TEMP., HUMIDITY	-40 ~ +85°C, 10 ~ 95% RH				
	TEMP. COEFFICIENT	±0.03%/°C (0 ~ 45°C)				
SAFETY & EMC (Note 4)	WITHSTAND VOLTAGE	I/P-O/P:3KVAC I/P-FG:2KVAC O/P-FG:0.5KVAC				
	ISOLATION RESISTANCE	I/P-O/P, I/P-FG, O/P-FG:100M Ohms / 500VDC/ 500VDC / 25°C / 70% RH				
OTHERS	EMC EMISSION	Compliance to EN55022 (CISPR22) Class B, EN61000-3-2,-3				
	EMC IMMUNITY	Compliance to EN61000-4-2,3,4,5,6,8,11, heavy industry level, criteria A				
NOTE	MTBF	207.1Khrs min. MIL-HDBK-217F (25°C)				
	DIMENSION	101.6*50.8*29mm (L*W*H)				
	PACKING	0.2Kg; 72pcs/15.4Kg/0.82CUFT				

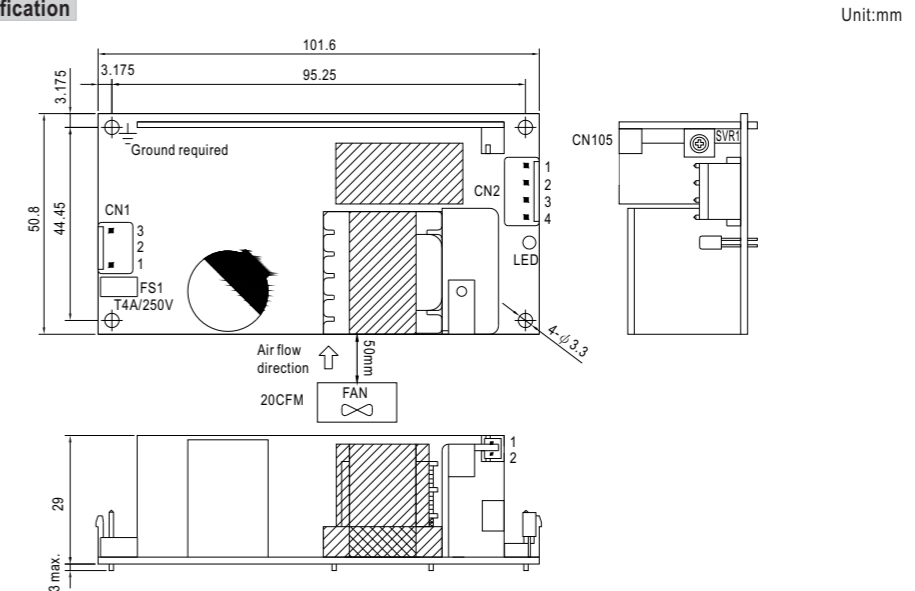
File Name:EPP-150-SPEC 2016-06-11



150W Single Output with PFC Function

EPP-150 series

Mechanical Specification



AC Input Connector (CN1) : JST B3P-VH or equivalent

Pin No.	Assignment	Mating Housing	Terminal
1	AC/L	JST VHR or equivalent	JST SVH-21T-P1.1 or equivalent
2	No Pin		
3	AC/N		

DC Output Connector (CN2) : JST B4P-VH or equivalent

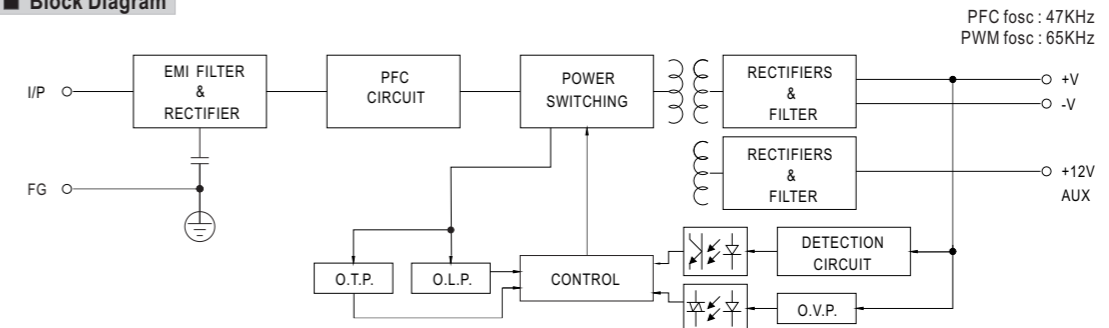
Pin No.	Assignment	Mating Housing	Terminal
1,2	DC COM	JST VHR or equivalent	JST SVH-21T-P1.1 or equivalent
3,4	+V		

FAN Connector(CN105) : JST BYB-PH-K-S or equivalent

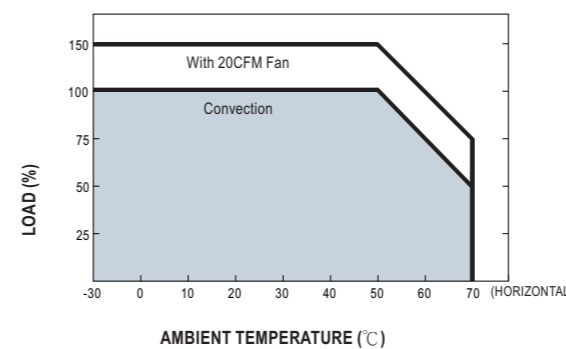
Pin No.	Assignment	Mating Housing	Terminal
1	+12V	JST PHR-γ or equivalent	JST SPH-γ-T-P-γS or equivalent
2	DC COM		

⊕ : Grounding required

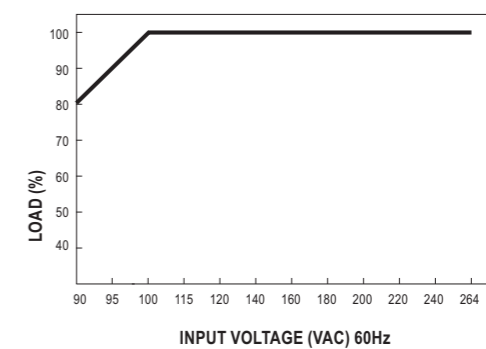
Block Diagram



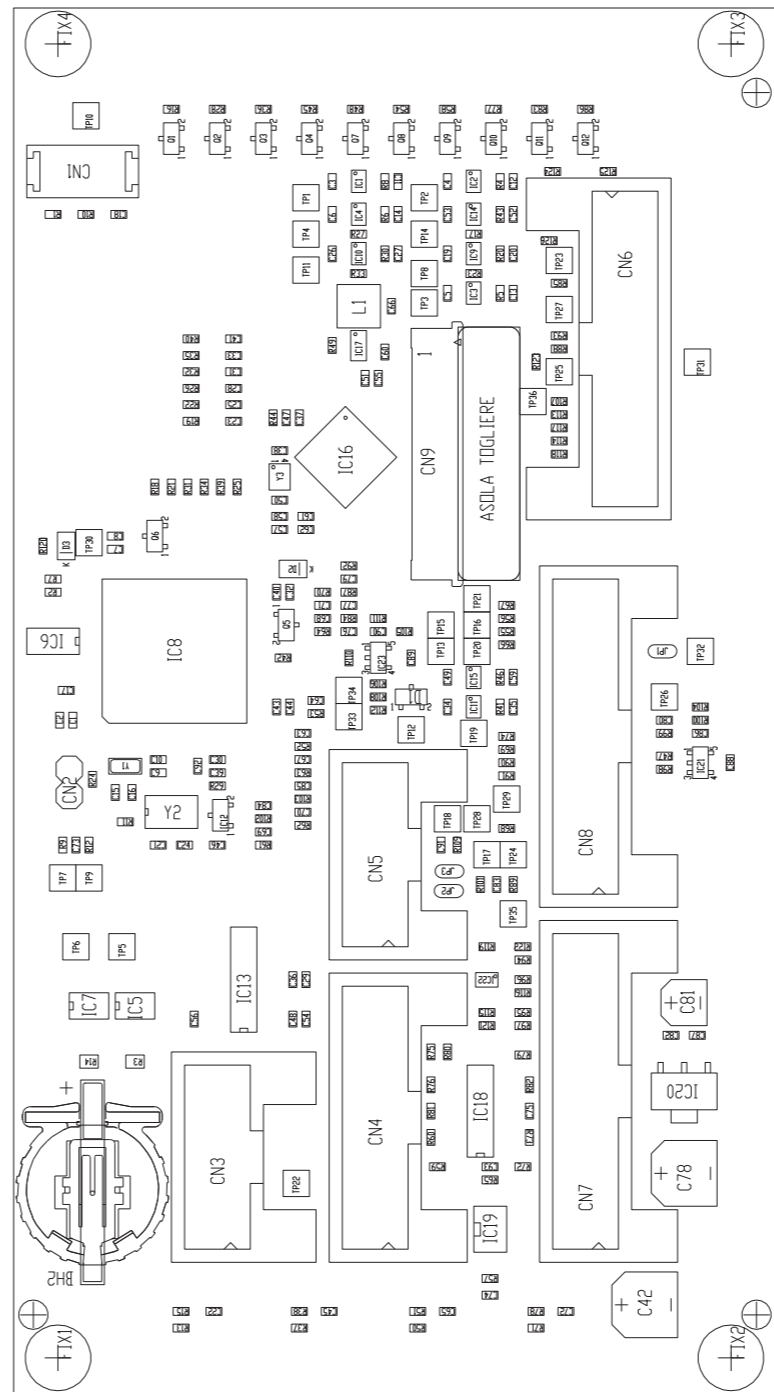
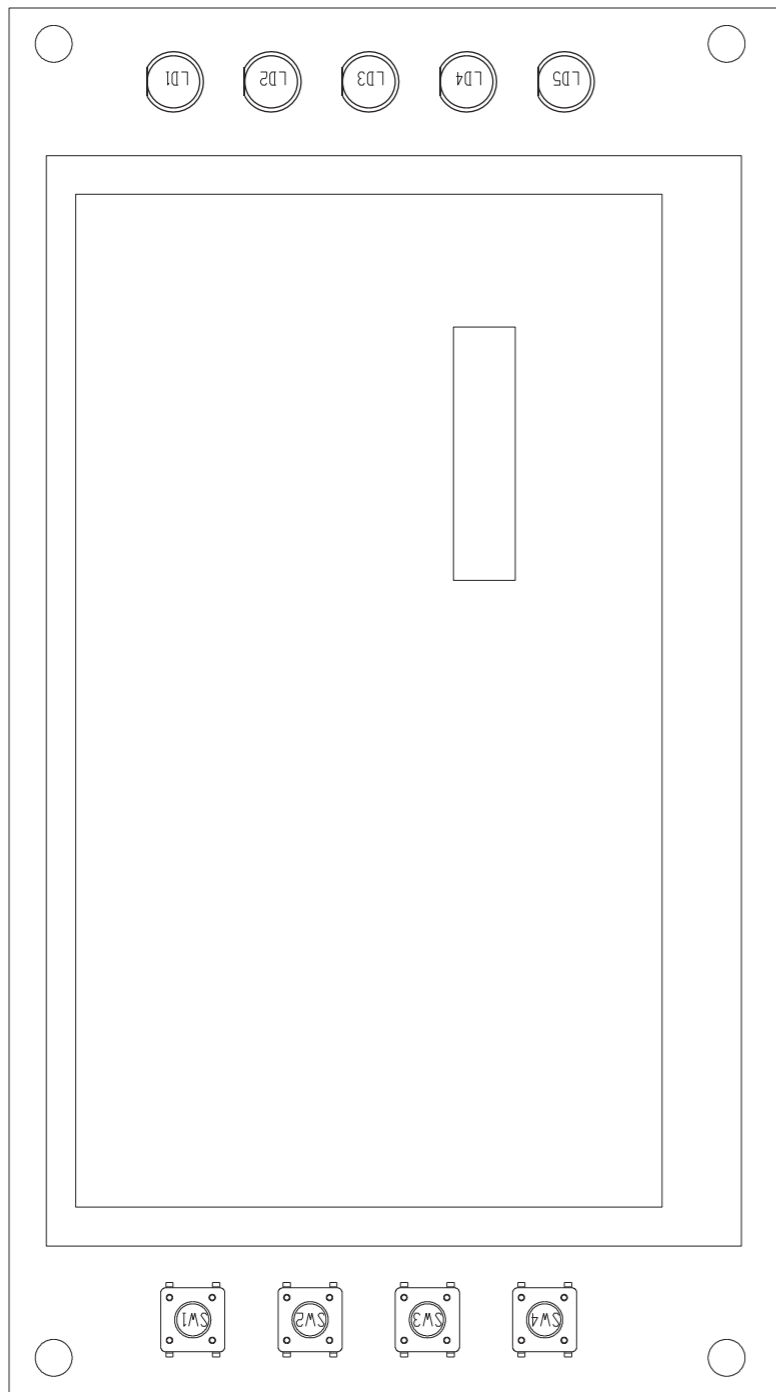
Output Derating



Output Derating VS Input Voltage



File Name:EPP-150-SPEC 2016-06-11



PRODUCT NAME : TEX-TFT

DESIGNER : FRANCESCHI A.

ARCHIVING : "RVJUT" SERVER, "RILASCIATI" FOLDER

PART NAME : Touch Screen Panel Card

DATE : 16/03/22

REVISION : 1.0

SCALE : 1:1

SIZE : A4

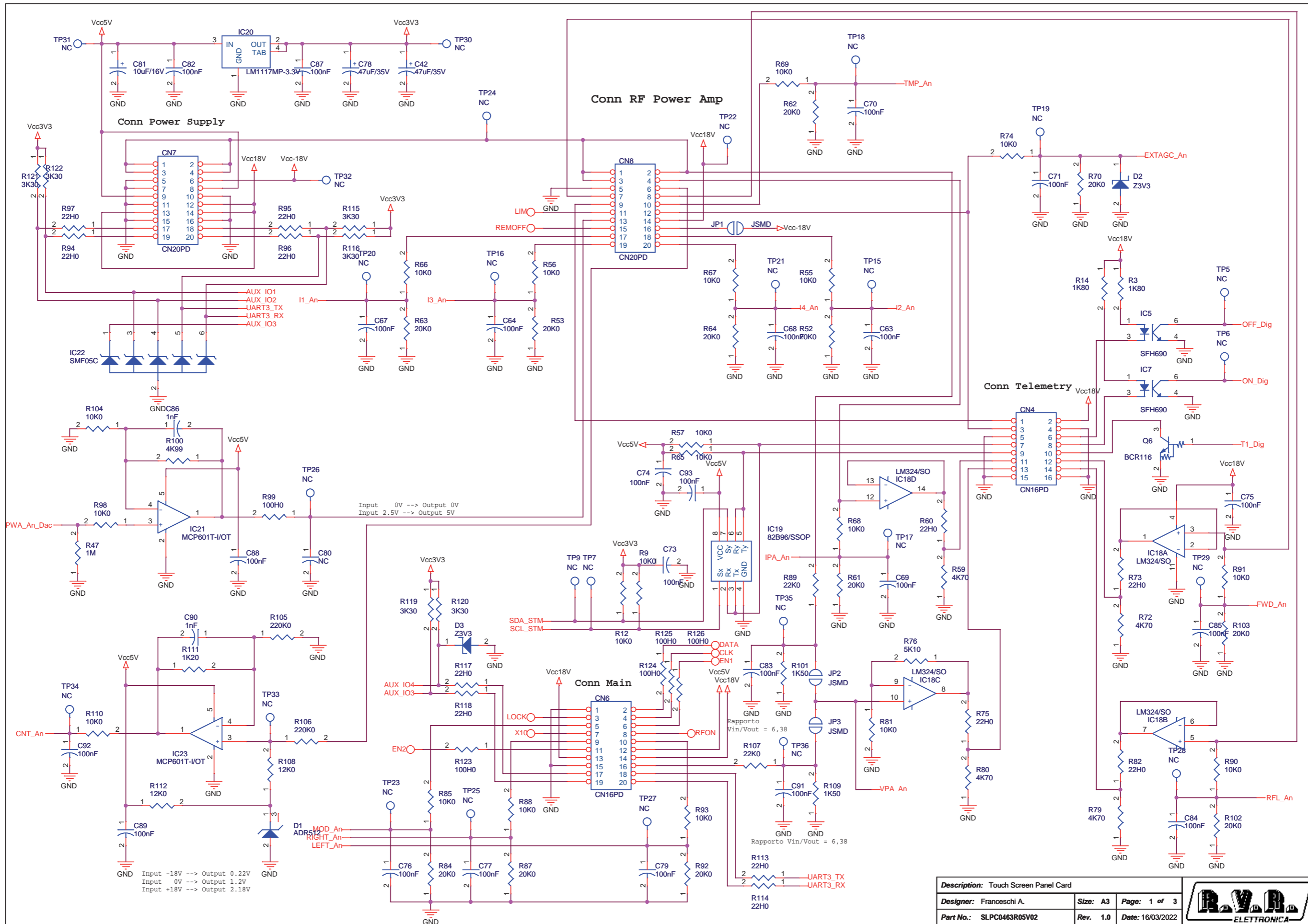
PAGE : 1

DI : 1

PROJECT CODE : 252

DOCUMENT CODE : SLPC0463R05V**

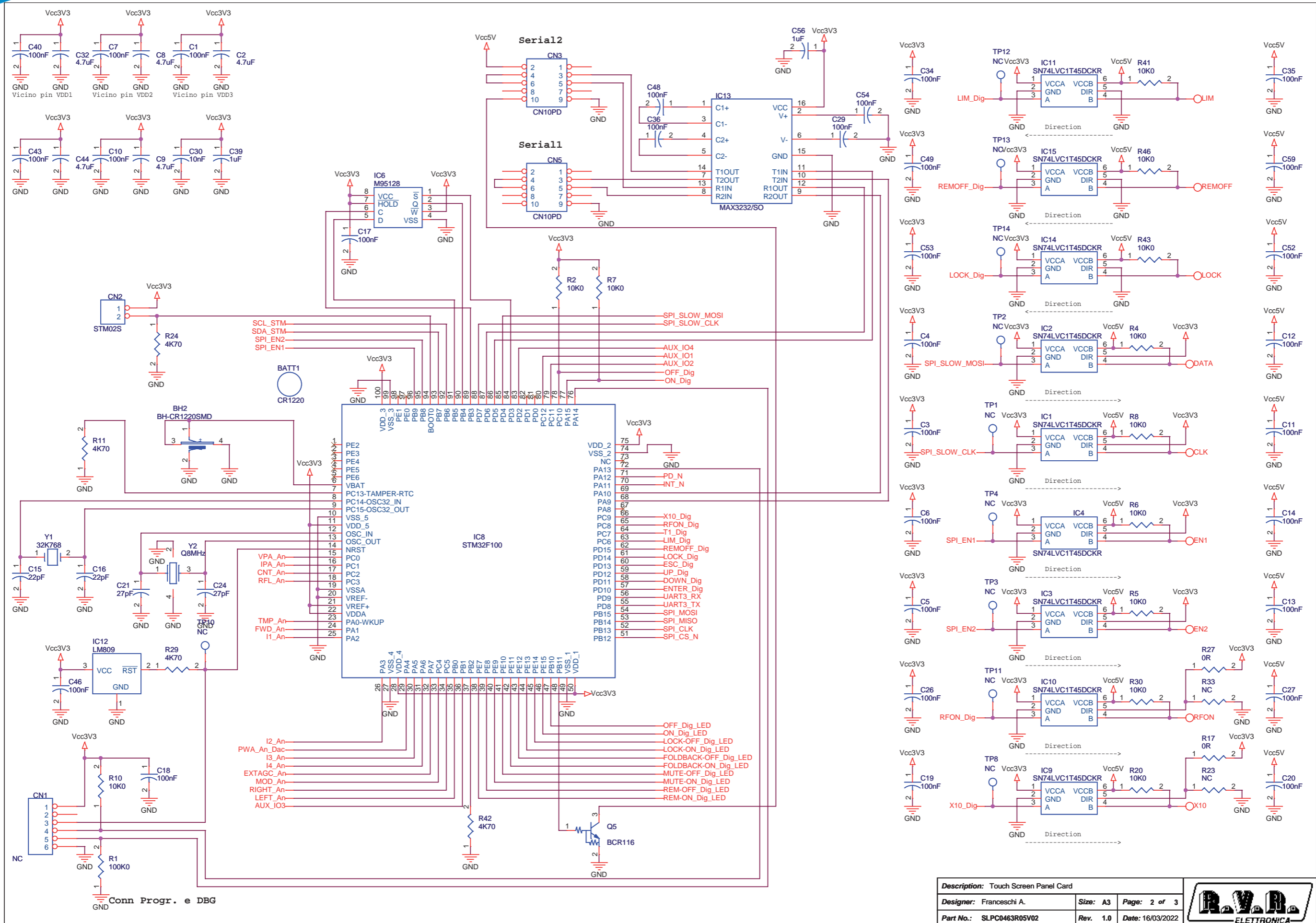
SLPC0463R05V02



Description: Touch Screen Panel Card			
Designer: Franceschi A.	Size: A3	Page: 1 of 3	
Part No.: SLPC0463R05V02	Rev.: 1.0	Date: 16/03/2022	

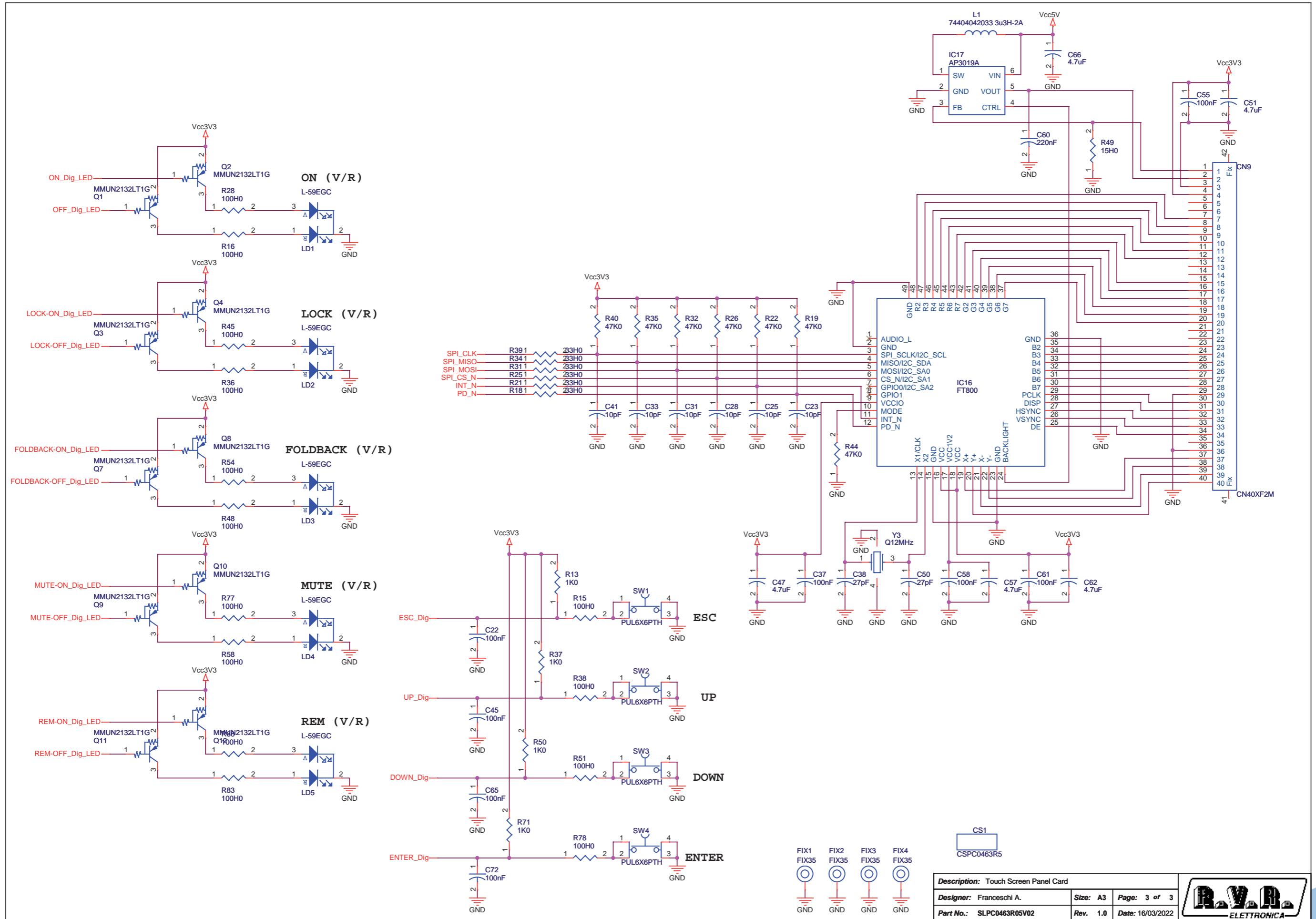


SLPC0463R05V02



Description: Touch Screen Panel Card			
Designer: Franceschi A.	Size: A3	Page: 2 of 3	
Part No.: SLPC0463R05V02	Rev.: 1.0	Date: 16/03/2022	

SLPC0463R05V02



Description: Touch Screen Panel Card		
Designer: Franceschi A.	Size: A3	Page: 3 of 3
Part No.: SLPC0463R05V02	Rev.: 1.0	Date: 16/03/2022



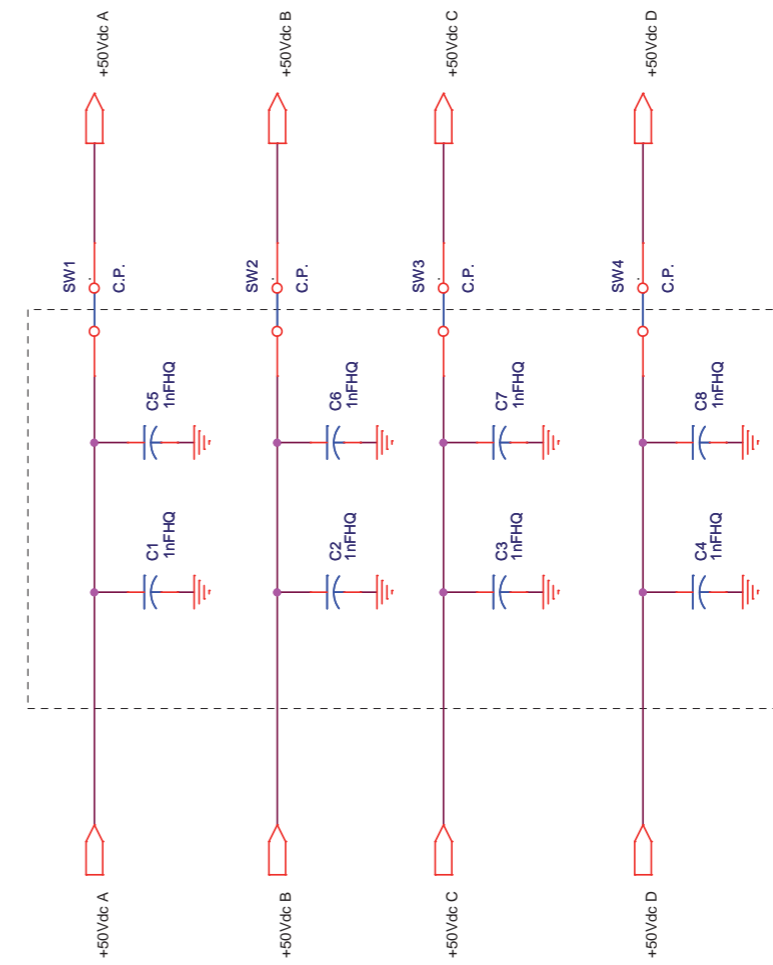
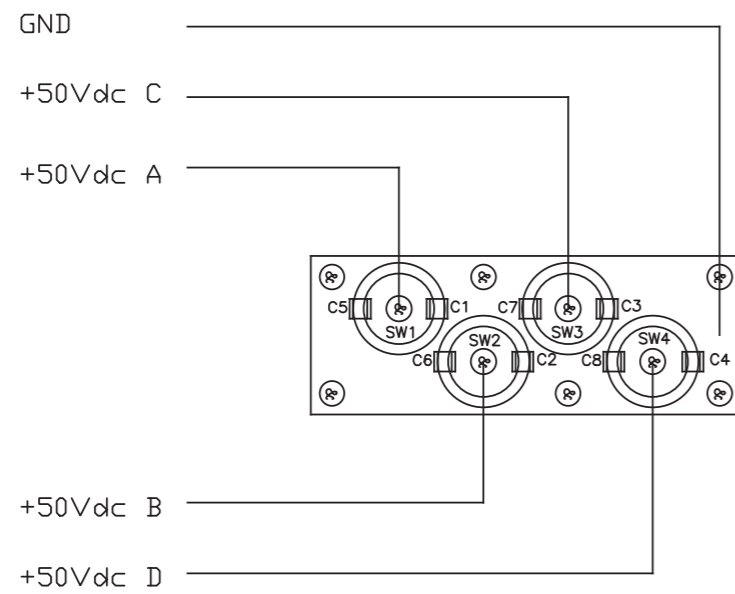
SLPC0463R05V02

Touch Screen Panel Card TEX 3HE Revised: 16/03/2022
 SLPC0463R05V02 Revision: 1.0
 Franceschi A.

Item	Quantity	Reference	Part	Description
1	1	BATT1	CR1220	CR1220 Lithium Battery
2	1	BH2	BH-CR1220SMD	CR1220 SMD Battery holder
3	1	CN1	NC	6 way PTH Micromatch connector
4	1	CN2	STM02S	Male strip 2 pin
5	2	CN3, CN5	CN10PD	10 way pcb conn.
6	2	CN4, CN6	CN16PD	16 way pcb conn.
7	2	CN7, CN8	CN20PD	20 way pcb conn.
8	1	CN9	CN40XF2M	40 way ZIF conn. pitch 0,5mm
9	1	CS1	CSPC0463R5	Printed Circuit board
10	61	C1, C3, C4, C5, C6, C7, C10, C11, C12, C13, C14, C17, C18, C19, C20, C22, C26, C27, C29, C34, C35, C36, C37, C40, C43, C45, C46, C48, C49, C52, C53, C54, C55, C58, C59, C61, C63, C64, C65, C67, C68, C69, C70, C71, C72, C73, C74, C75, C76, C77, C79, C82, C83, C84, C85, C87, C88, C89, C91, C92, C93	100nF	0603 SMD capacitor
11	10	C2, C8, C9, C32, C44, C47, C51, C57, C62, C66	4.7uF	0603 SMD capacitor
12	2	C15, C16	22pF	0603 SMD capacitor
13	4	C21, C24, C38, C50	27pF	0603 SMD capacitor
14	6	C23, C25, C28, C31, C33, C41	10pF	0603 SMD capacitor
15	1	C30	10nF	0603 SMD capacitor
16	2	C39, C56	1uF	0603 SMD capacitor
17	2	C42, C78	47uF/35V	SMD electr. cap. 6.3mm
18	1	C60	220nF	0603 SMD capacitor
19	1	C80	NC	0603 SMD capacitor
20	1	C81	10uF/16V	SMD electr. cap. 4mm
21	2	C86, C90	1nF	0603 SMD capacitor
22	1	D1	ADR512	SMD SOT23 precision Zener
23	2	D2, D3	Z3V3	SOD123F Zener Diode
24	4	FIX1, FIX2, FIX3, FIX4	FIX35	3.5mm Fixing hole
25	9	IC1, IC2, IC3, IC4, IC9, IC10, IC11, IC14, IC15	SN74LVC1T45DCKR	Bidirect. level translator
26	2	IC5, IC7	SFH690	Optocoupler SMD SO6
27	1	IC6	M95128	SMD Serial EEPROM
28	1	IC8	STM32F100	STM32F100 Microcontroller
29	1	IC12	LM809-2.93	uC supervisor
30	1	IC13	MAX3232/SO	SO16 RS232 driver
31	1	IC16	FT800	Display controller
32	1	IC17	AP3019A	Switching LED driver
33	1	IC18	LM324/SO	Quad Op. SMD SO14
34	1	IC19	82B96/SSOP	SMD IIC Bus driver
35	1	IC20	LM1117MP-3.3V	Voltage reg. SMD SOT223
36	2	IC21, IC23	MCP601T-I/OT	Single Op Amp SOT23-5
37	1	IC22	SMF05C	TVS Diode array
38	3	JP1, JP2, JP3	JSMD	2 pad SMD jumper
39	5	LD1, LD2, LD3, LD4, LD5	L-59EGC	Two-color led common Cathode 5mm
40	1	L1	74404042033 3u3H-2A	WE LQS40 series inductor
41	10	Q1, Q2, Q3, Q4, Q7, Q8, Q9, Q10, Q11, Q12	MMUN2132LT1G	Digital PNP trans. SOT23
42	2	Q5, Q6	BCR116	Digital NPN trans. SOT23
43	1	R1	100K0	0603 SMD res.

Item	Quantity	Reference	Part	Description
44	32	R2, R4, R5, R6, R7, R8, R9, R10, R12, R20, R30, R41, R43, R46, R55, R56, R57, R65, R66, R67, R68, R69, R74, R81, R85, R88, R90, R91, R93, R98, R104, R110	10K0	0603 SMD res.
45	2	R3, R14	1K80	0805 SMD res.
46	8	R11, R24, R29, R42, R59, R72, R79, R80	4K70	0603 SMD res.
47	4	R13, R37, R50, R71	1K0	0603 SMD res.
48	19	R15, R16, R28, R36, R38, R45, R48, R51, R54, R58, R77, R78, R83, R86, R99, R123, R124, R125, R126	100H0	0603 SMD res.
49	2	R17, R27	0R	0603 SMD res.
50	6	R18, R21, R25, R31, R34, R39	33H0	0603 SMD res.
51	7	R19, R22, R26, R32, R35, R40, R44	47K0	0603 SMD res.
52	2	R23, R33	NC	0603 SMD res.
53	1	R47	1M	0603 SMD res.
54	1	R49	15H0	0603 SMD res.
55	12	R52, R53, R61, R62, R63, R64, R70, R84, R87, R92, R102, R103	20K0	0603 SMD res.
56	12	R60, R73, R75, R82, R94, R95, R96, R97, R113, R114, R117, R118	22H0	0603 SMD res.
57	1	R76	5K10	0603 SMD res.
58	2	R89, R107	22K0	0603 SMD res.
59	1	R100	4K99	0603 SMD res.
60	2	R101, R109	1K50	0603 SMD res.
61	2	R105, R106	220K0	0603 SMD res.
62	2	R108, R112	12K0	0603 SMD res.
63	1	R111	1K20	0603 SMD res.
64	6	R115, R116, R119, R120, R121, R122	3K30	0603 SMD res.
65	4	SW1, SW2, SW3, SW4	PUL6X6PTH	PCB PTH pushbutton
66	36	TP1, TP2, TP3, TP4, TP5, TP6, TP7, TP8, TP9, TP10, TP11, TP12, TP13, TP14, TP15, TP16, TP17, TP18, TP19, TP20, TP21, TP22, TP23, TP24, TP25, TP26, TP27, TP28, TP29, TP30, TP31, TP32, TP33, TP34, TP35, TP36	NC	Test point
67	1	Y1	32K768	SMD Crystal 3.2x1.5 mm
68	1	Y2	Q8MHz	SMD Crystal NX5032SA
69	1	Y3	Q12MHz	SMD Crystal 2x2.5 mm

SLFILPJ1KM



Description: Passthrough Card	Page: 1 of 1
Designer: Franceschi A.	Size: A4
Part No.: SLFILPJ1KM	Rev. 2.1
	Date: 17/06/2013

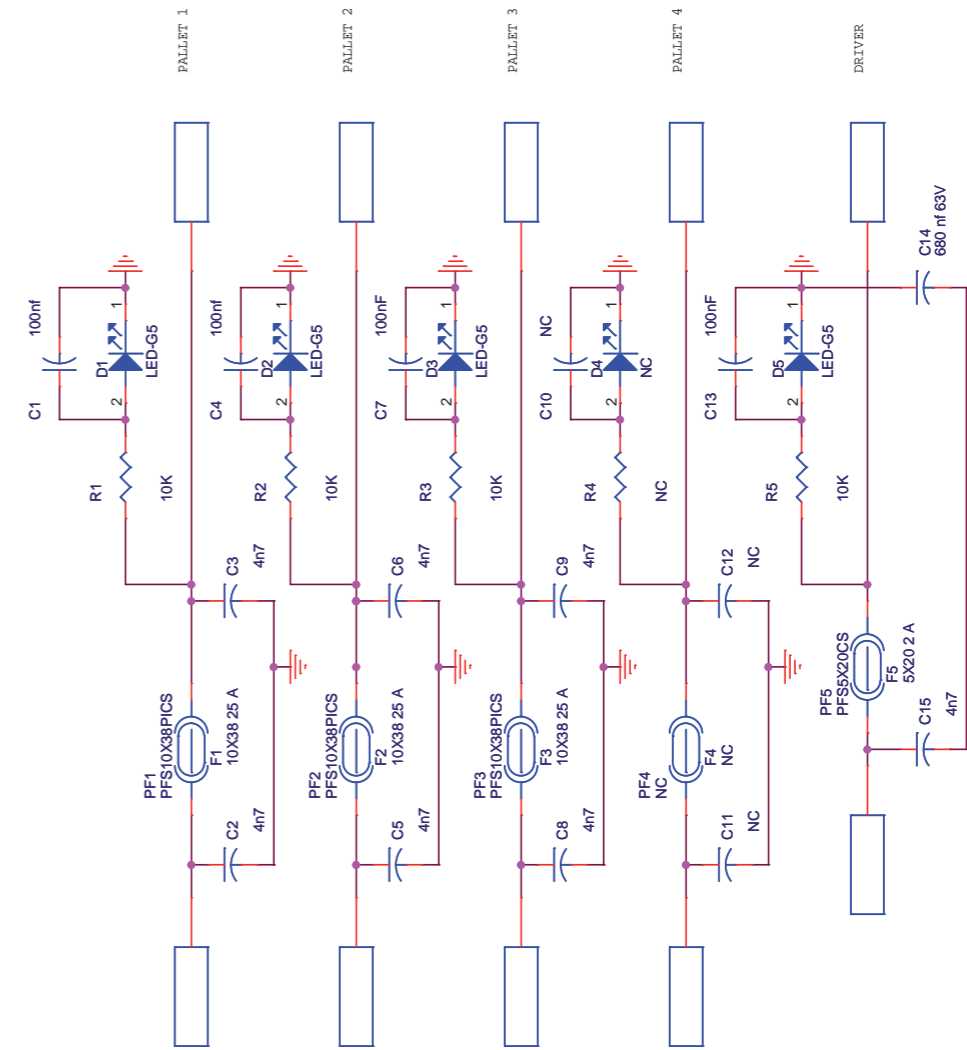
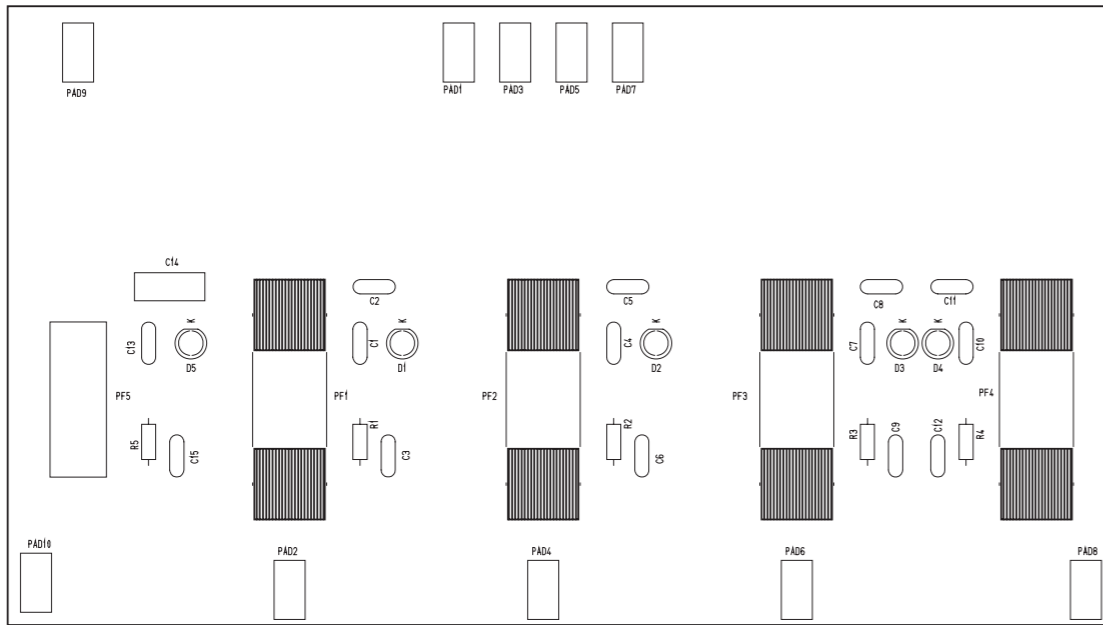
	PRODUCT NAME : TEX-TFT	PART NAME : PASSTHROUGH CARD			
	DESIGNER : FRANCESCHI A.	DATE : 17/06/13	REVISION : 1.0	SCALE : 1:1	SIZE : A4
ARCHIVING : 'RVRUT' SERVER, 'RILASCIATI' FOLDER	PROJECT CODE : 252	DOCUMENT CODE : SLFILPJ1KM			

SLFILPJ1KM

Passthrough Card Revised: 17/06/2013
 SLFILPJ1KM Revision: 2.1
 Franceschi A.

Item	Quantity	Reference	Part
1	8	C1, C2, C3, C4, C5, C6, C7, C8	1nFHQ
2	4	SW1, SW2, SW3, SW4	C.P.

SLFURFPJ2KLG



R.V.R. ELETTRONICA

Description:	Fuse Card
Designer:	Franceschi A.
Part No.:	SLFURFPJ2KLG
Size:	A4
Pages:	1 of 1
Rev.:	1.0
Date:	05/05/2011

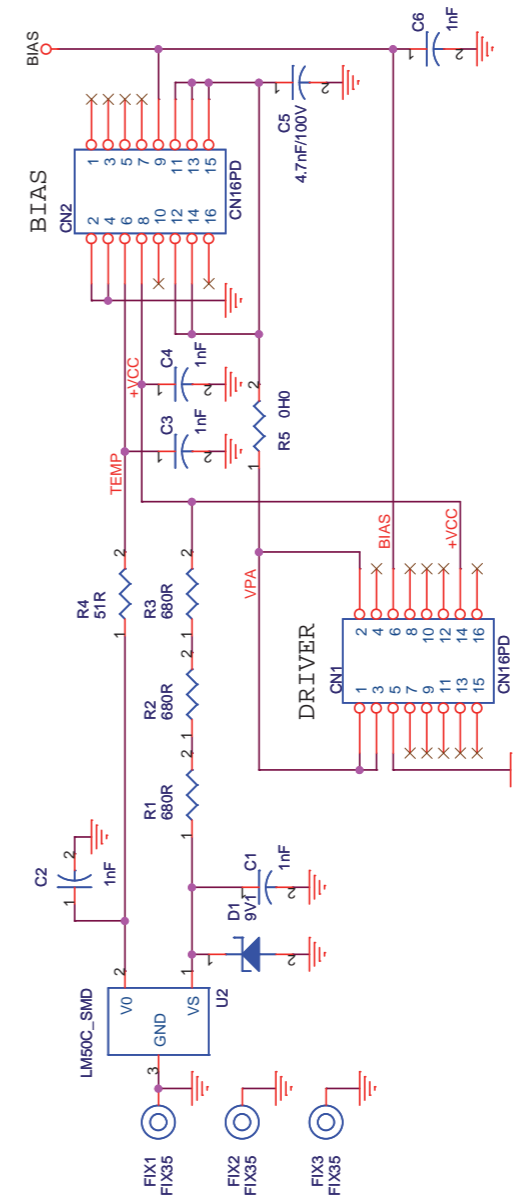
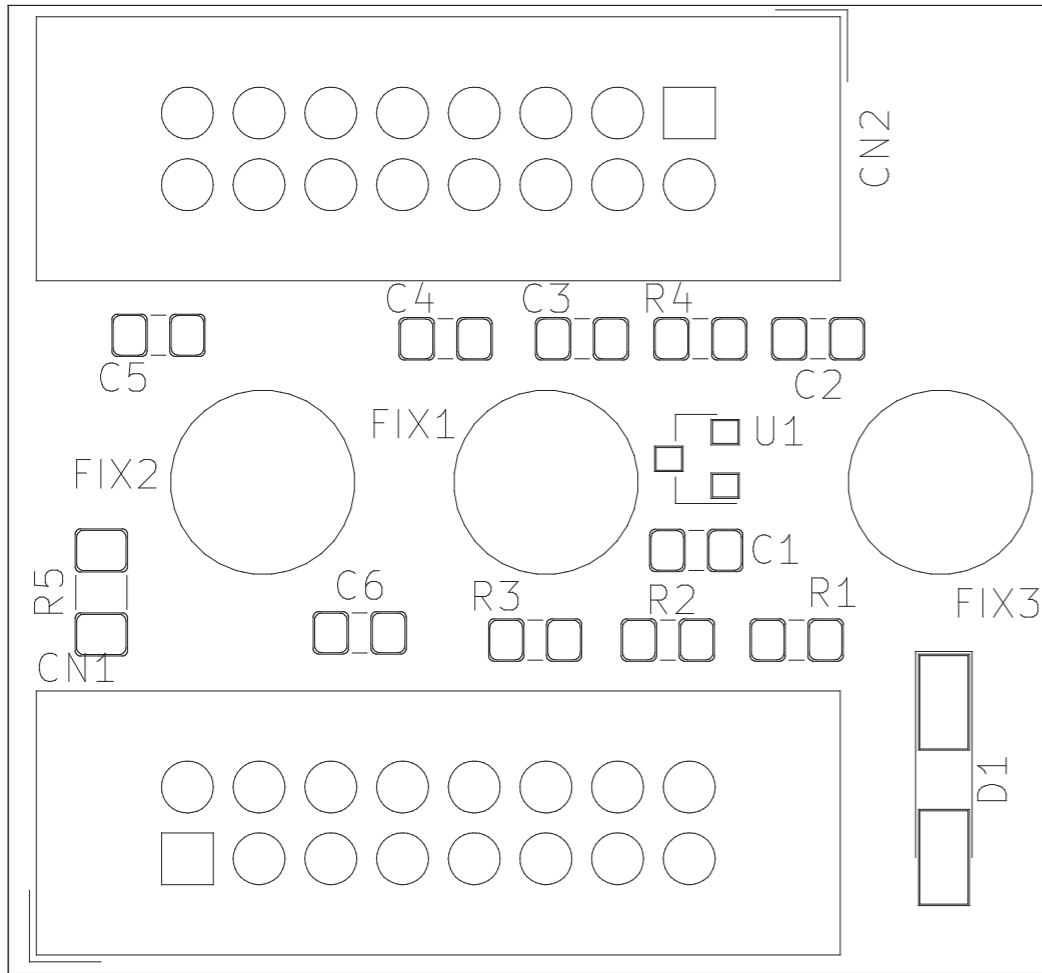
R.V.R. ELETTRONICA	NOME PROGETTO:	PJ1000LIGHT	NOME PARTE:	SCHEDA FUSE RF	
	AUTORE:	GASPERINI	DATA:	05/10/2005	
ARCHIVIAZIONE ELETTRONICA: "CARTELLA PROGETTI" SU "UT_SRV"		CODICE PROGETTO:	921	CODICE DISEGNO:	SLFURFPJ1KLG
MATERIALE:	<>	TRATTAMENTO:	<>	PROFILO:	<>
			STATO:	ESECUTIVO	

SLFURFPJ2KLG

Fuse Card SLFURFPJ2KLG
 05/05/2011 Revision: 1.0
 Franceschi A.

Item	Quantity	Reference	Part	Description
1	4	C1, C4, C7, C13	100nF	COND.MULTISTR.100NF 20% 5,08MM 50V
2	7	C2, C3, C5, C6, C8, C9, C15	4n7	COND.CER. 4NF7 P5,08 10% 50V N150
3	1	C14	680 nf 63V	COND. POL. 680NF 5% 5,08MM 100V
4	4	D1, D2, D3, D5	LED-G5	LED COLORE VERDE DIAMETRO 5MM.
5	3	F1, F2, F3	10X38 25 A	FUSIBILE 10X38MM RAPIDO 25AMP
6	1	F4	NC	NOTCONNECTED
7	1	F5	5X20 2 A	FUSIBILE 5X20MM RAPIDO 4AMP
8	3	PF1, PF2, PF3	PFS10X38PICS	PORTAFUS. A PINZA DA CS 10X38 (2 X 4PZ)
9	1	PF5	PFS5X20CS	PORTAFUS. DA C.S. 5X20MM
10	4	R1, R2, R3, R5	10K	RES. STRATO METALLICO 1/4W 1% 10K
11	10	U1, U2, U3, U4, U5, U6, U7, U8, U9, U10	PAD	
12	1	CS1	CSFUSPJ1KC-2	CIRC.STAMP.FUSIBILI SEZ.RF PJ1KCOMP

SLIN0501R01V01



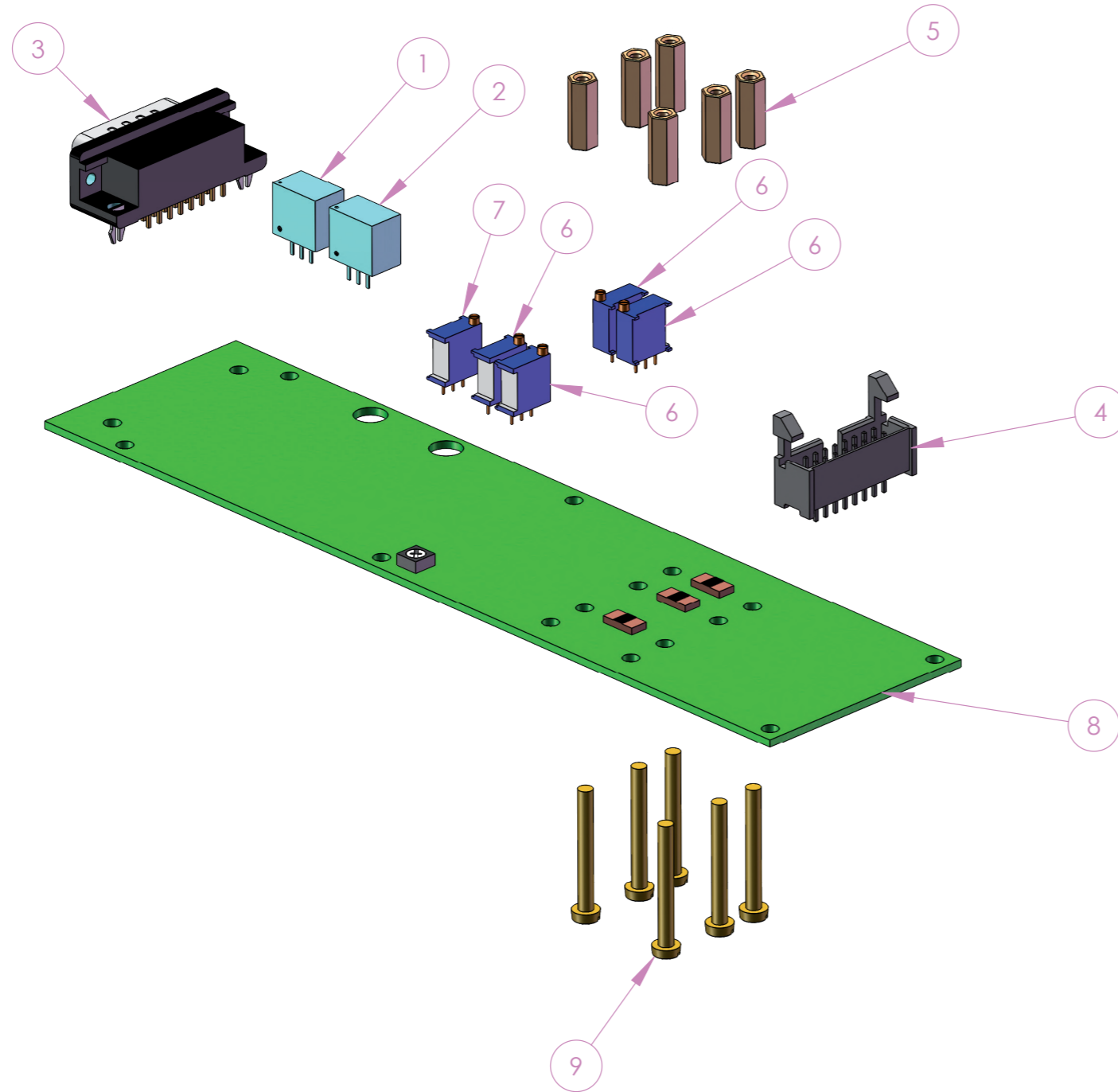
CS1
CSIN0501R1

Description: Driver interface & Temp Sensor	Page: 1 of 1
Designer: A.Franceschi	Size: A4
Part No.: SLIN0501R01V01	Rev. 1.0
	Date: 09/09/2019

SLIN0501R01V01

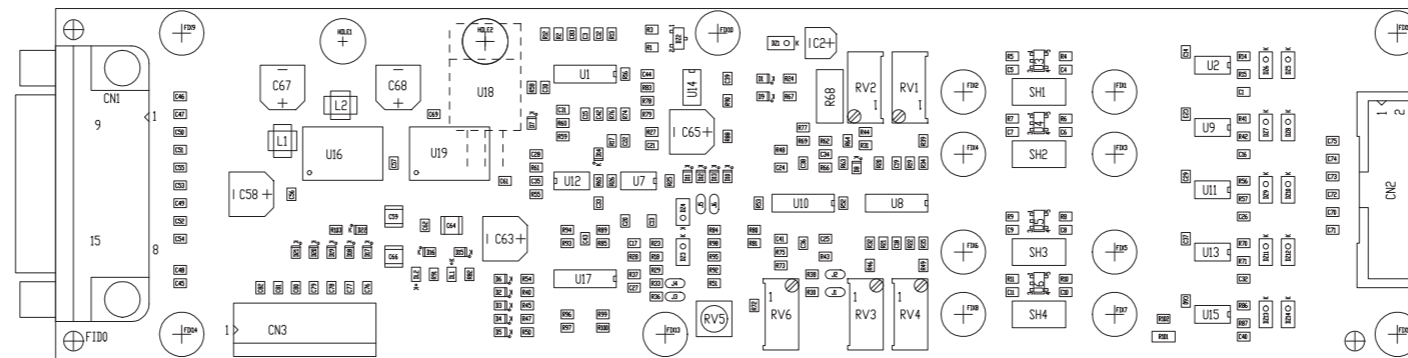
Driver interface & Temp Sensor Revised: Monday, September 09, 2019
 SLIN0501R01V01 Revision: 1.0
 A.Franceschi

Item	Quantity	Reference	Part	Description
1	2	CN1, CN2	CN16PD	16 way pcb conn. with holder
2	1	CS1	CSIN0501R1	Printed Circuit board
3	5	C1, C2, C3, C4, C6	1nF	0805 SMD capacitor
4	1	C5	4.7nF/100V	0805 SMD capacitor
5	1	D1	9V1	MINIMELF SMD Zener Diode
6	3	FIX1, FIX2, FIX3	FIX35	3.5mm Fixing hole
7	3	R1, R2, R3	680R	0805 SMD res.
8	1	R4	51R	0805 SMD res.
9	1	R5	0H0	1206 SMD res.
10	1	U2	LM50C_SMD	Temperature sensor



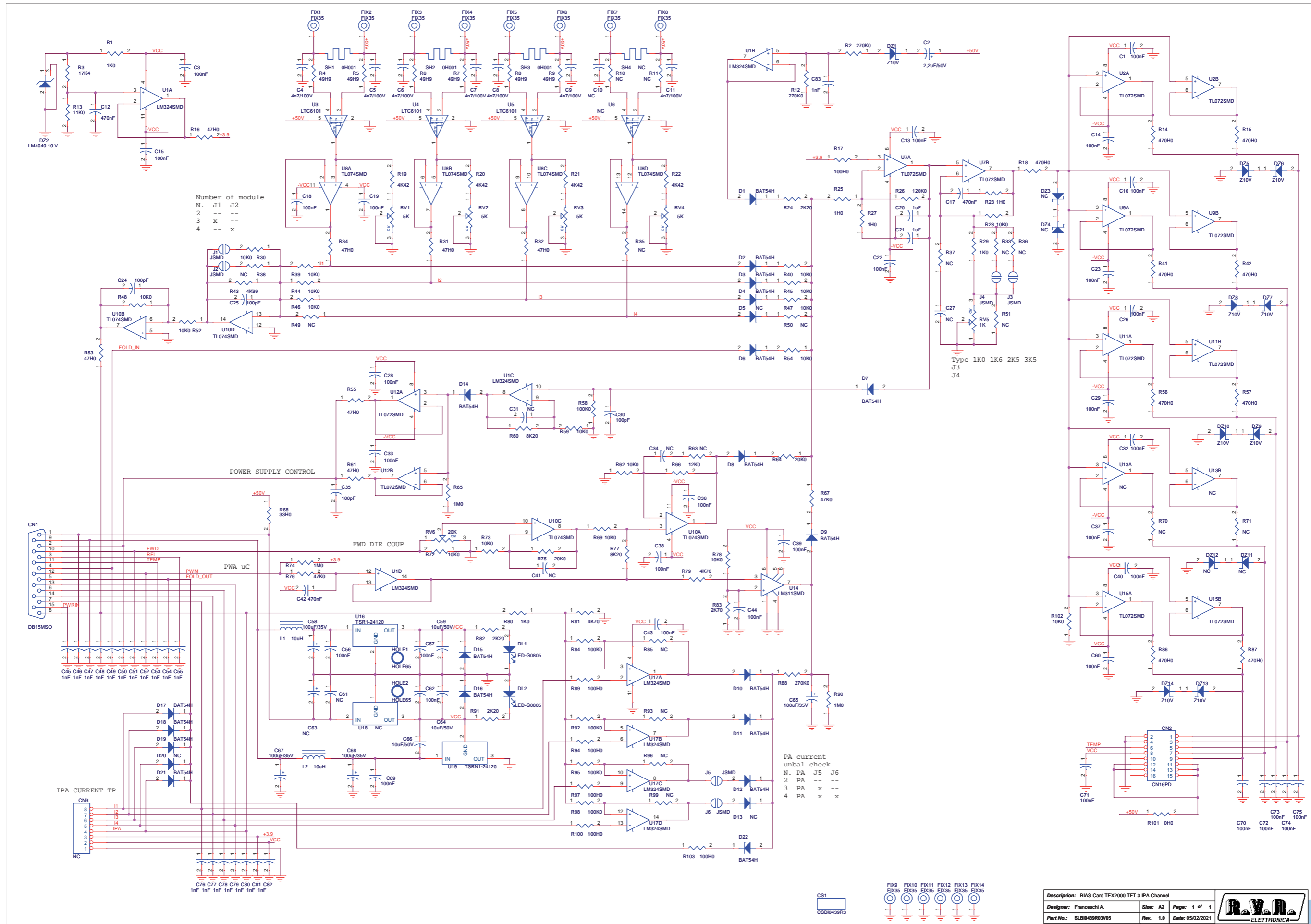
Nr	Codice	Descrizione	Qta.
1	CIL78SW120	TRACOPOWER"TSRN1-2415" 1,5V 1A DCDC	1
2	CIL78SWN120	Switching SIP3 regulator	1
3	CNTDB15MCSA	CONN. DB15 MASC. DA CS 90° H8,28MM	1
4	CNTMCS16A	CONN.M.C.S.DRITTO 16P ALETTE CORTE	1
5	DM3FF14A14B14O	Dist.Esc. F-F M3 H14 BN3320	6
6	RVT3296WK005	TRIM.MULTI.REG.VER. 5K	4
7	RVT3296WK020	TRIM.MULTI.REG.VER. 20K	1
8	SLBI0439R03V05s	SEM.SCH. BIAS TEX/PJ TFT 2000W 3U pcb	1
9	VOCTA03M025O	VITE OTTON TEST.CILINDRICA. 3MX25 TAGLIO BN532	6

	PROFILE:	SEM.SCH. BIAS TEX/PJ 2000W 3U			
	MATERIAL:	-			
GENERAL TOLERANCE UNI ISO 2768-f	TREATMENT:	CODE: SLBI0439R03V05 DATE: 02/07/2021	PROJECT N°: xxx TYPE:	AUTHOR: UT2 SCALE: 1:1 FORMAT: A3	PAGE: 1/1



	PRODUCT NAME : TEX-LCD	PART NAME : BIAS CARD
	DESIGNER : FRANCESCHI A.	DATE 05/10/20 REVIS. : 1.0 SCALE 1:1 SIZE A3 PAGE :1 DI 1
	ARCHIVING : "RVTRUT" SERVER, "RILASCIATI" FOLDER PROJECT CODE : 249	DOCUMENT CODE : SLBI0439R03V**

SLBI0439R03V05



Number of module

N.	J1	J2
2	--	--
3	x	--
4	--	x

PA current unbal check

N.	PA	J5	J6
2	PA	--	--
3	PA	x	--
4	PA	x	x

Description: BIAS Card TEX2000 TFT 3 IPA Channel			
Designer: Franceschi A.	Size: A2	Page: 1 of 1	
Part No.: SLBI0439R03V05	Rev.: 1.0	Date: 05/02/2021	

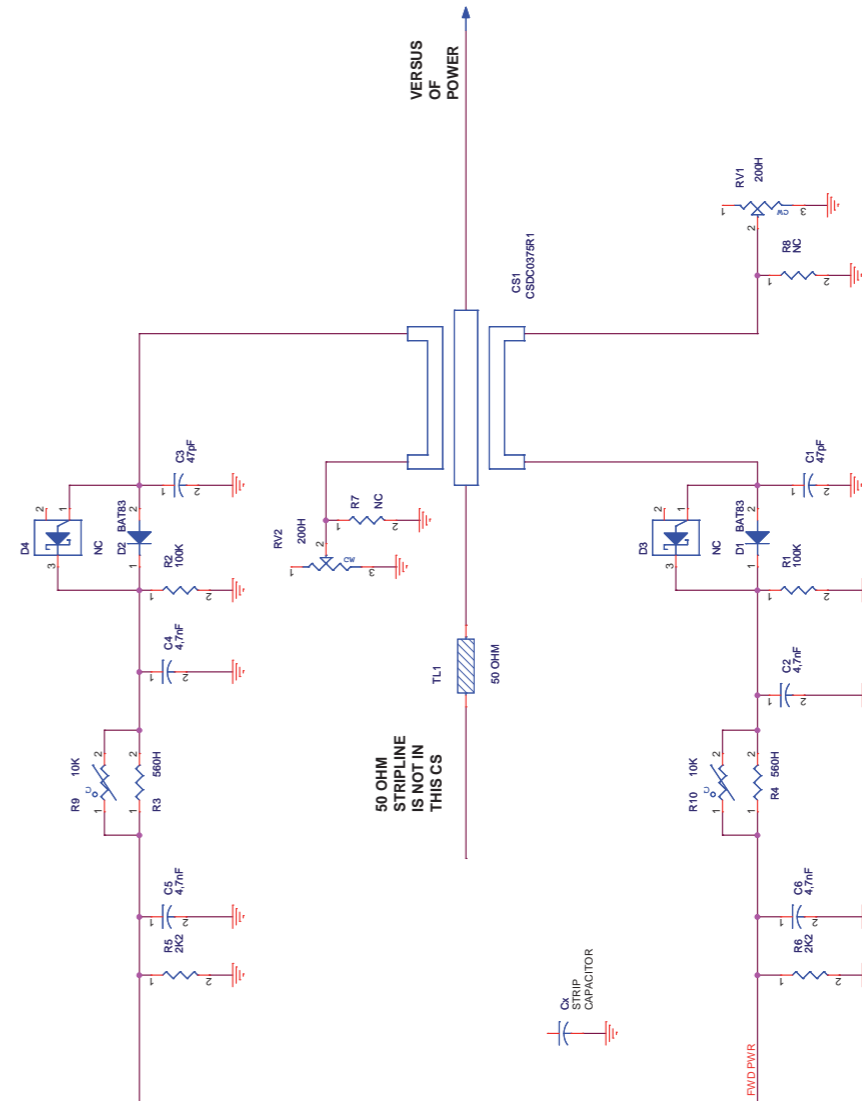
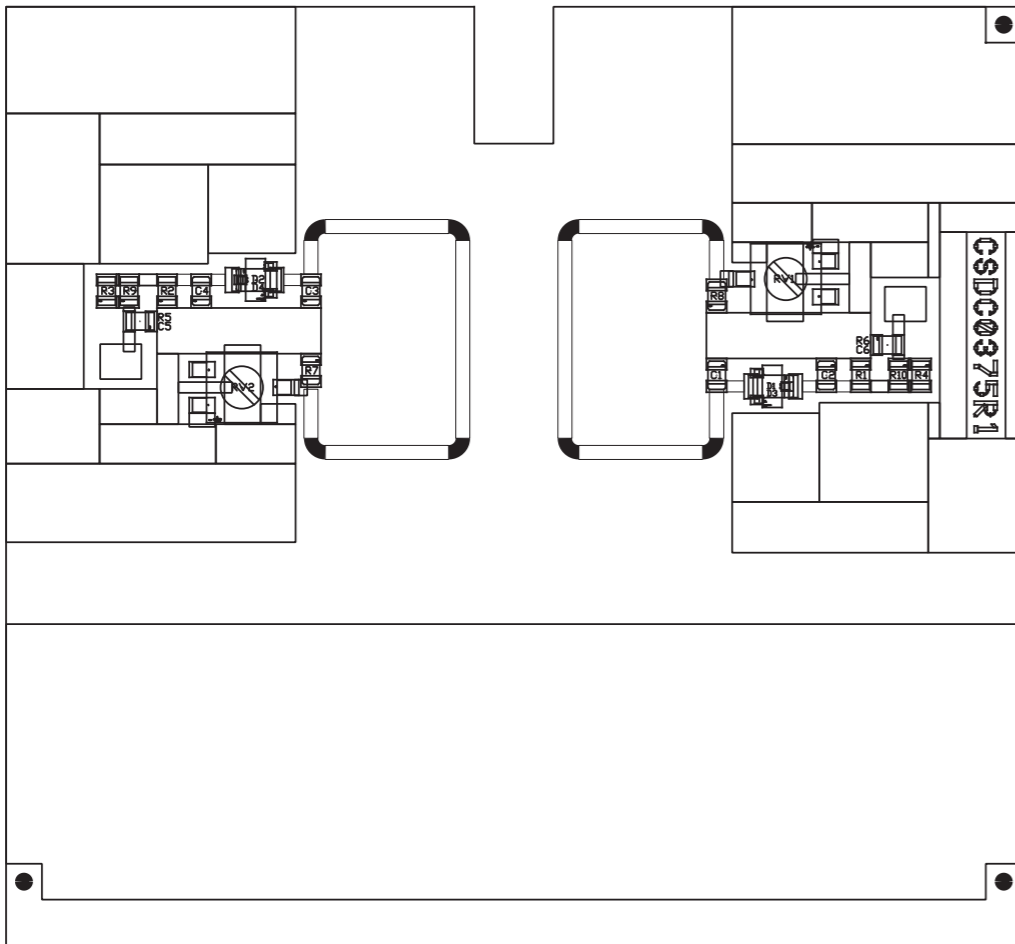


SLBI0439R03V05

BIAS Card TEX2000 TFT 3 IPA Channel Revised: 05/02/2021
 SLBI0439R03V05 Revision: 1.0
 Franceschi A.

Item	Quantity	Reference	Part	Description
1	1	CN1	DB15MSO	Conn. DB15 mas. cs 90°
2	1	CN2	CN16PD	Conn.M.C.S.Dritto 16P alette.
3	1	CN3	NC	Conn. 8 poli WR-WTB
4	1	CS1	CSBI0439R3	Circuito stampato
5	33	C1, C3, C13, C14, C15, C16, C18, C19, C22, C23, C26, C28, C29, C32, C33, C36, C37, C38, C39, C40, C43, C44, C56, C57, C60, C62, C69, C70, C71, C72, C73, C74, C75	100nF	Cond. SMD 0805
6	1	C2	2,2uF/50V	Cond. Elett. SMD d. 4mm
7	7	C4, C5, C6, C7, C8, C9, C11	4n7/100V	Cond. SMD 0805
8	6	C10, C27, C31, C34, C41, C61	NC	Cond. SMD 0805
9	3	C12, C17, C42	470nF	Cond. SMD 0805
10	2	C20, C21	1uF	Cond. SMD 0805
11	4	C24, C25, C30, C35	100pF	Cond. SMD 0805
12	19	C45, C46, C47, C48, C49, C50, C51, C52, C53, C54, C55, C76, C77, C78, C79, C80, C81, C82, C83	1nF	Cond. SMD 0805
13	4	C58, C65, C67, C68	100uF/35V	Cond. Elett. SMD d. 6.3mm
14	3	C59, C64, C66	10uF/50V	Cond. SMD 1210
15	1	C63	NC	Cond. Elett. SMD d. 6.3mm
16	2	DL1, DL2	LED-G0805	LED Verde SMD 0805
17	9	DZ1, DZ5, DZ6, DZ7, DZ8, DZ9, DZ10, DZ13, DZ14	Z10V	MINIMELF SMD Zener Diode
18	1	DZ2	LM4040 10 V	SMD SOT23 precision Zener
19	4	DZ3, DZ4, DZ11, DZ12	NC	MINIMELF SMD Zener Diode
20	19	D1, D2, D3, D4, D6, D7, D8, D9, D10, D11, D12, D14, D15, D16, D17, D18, D19, D21, D22	BAT54H	SOD323 SMD Diode
21	3	D5, D13, D20	NC	SOD323 SMD Diode
22	14	FIX1, FIX2, FIX3, FIX4, FIX5, FIX6, FIX7, FIX8, FIX9, FIX10, FIX11, FIX12, FIX13, FIX14	FIX35	Foro fissaggio 3.5mm
23	2	HOLE1, HOLE2	HOLE65	Foro da 6.5mm
24	4	J1, J2, J5, J6	J5MD	Jumper a saldare
25	2	J3, J4	J5MD	Pad SMD a saldare
26	2	L1, L2	10uH	Ind. verticale SMD dia. 4 p 4.8
27	4	RV1, RV2, RV3, RV4	5K	Trimmer Rg V 3296W
28	1	RV5	1K	Trimmer SMD V 3314
29	1	RV6	20K	Trimmer Rg V 3296W
30	3	R1, R29, R80	1K0	Res. SMD 0805 1%
31	3	R2, R12, R88	270K0	Res. SMD 0805 1%
32	1	R3	17K4	Res. SMD 0805 1%
33	6	R4, R5, R6, R7, R8, R9	49H9	Res. SMD 0805 1%
34	17	R10, R11, R33, R35, R36, R37, R38, R49, R50, R51, R63, R70, R71, R85, R93, R96, R99	NC	Res. SMD 0805 1%
35	1	R13	11K0	Res. SMD 0805 1%
36	9	R14, R15, R18, R41, R42, R56, R57, R86, R87	470H0	Res. SMD 0805 1%
37	7	R16, R31, R32, R34, R53, R55, R61	47H0	Res. SMD 0805 1%
38	6	R17, R89, R94, R97, R100, R103	100H0	Res. SMD 0805 1%
39	4	R19, R20, R21, R22	4K42	Res. SMD 0805 1%
40	3	R23, R25, R27	1H0	Res. SMD 0805 1%
41	3	R24, R82, R91	2K20	Res. SMD 0805 1%
42	1	R26	120K0	Res. SMD 0805 1%
43	18	R28, R30, R39, R40, R44, R45, R46, R47, R48, R52, R54, R59, R62, R69, R72, R73, R78, R102	10K0	Res. SMD 0805 1%
44	1	R43	4K99	Res. SMD 0805 1%
45	5	R58, R84, R92, R95, R98	100K0	Res. SMD 0805 1%
46	2	R60, R77	8K20	Res. SMD 0805 1%
47	2	R64, R75	20K0	Res. SMD 0805 1%
48	3	R65, R74, R90	1M0	Res. SMD 0805 1%
49	1	R66	12K0	Res. SMD 0805 1%
50	2	R67, R76	47K0	Res. SMD 0805 1%
51	1	R68	33H0	Res. SMD 2512 1%
52	2	R79, R81	4K70	Res. SMD 0805 1%
53	1	R83	2K70	Res. SMD 0805 1%
54	1	R101	0H0	Res. SMD 1206
55	3	SH1, SH2, SH3	0H001	Shunt SMD 2512
56	1	SH4	NC	Shunt SMD 2512
57	2	U1, U17	LM324SMD	Quad Op. SMD SO14
58	6	U2, U7, U9, U11, U12, U15	TL072SMD	Dual Op. SMD SO8
59	3	U3, U4, U5	LTC6101	High side current sense
60	1	U6	NC	High side current sense
61	2	U8, U10	TL074SMD	Quad Op. SMD SO14
62	1	U13	NC	Dual Op. SMD SO8
63	1	U14	LM311SMD	Comp. SMD SO8
64	1	U16	TSR1-24120	Switching SIP3 regulator
65	1	U18	NC	Stabilizzatore TO220
66	1	U19	TSRN1-24120	Switching SIP3 regulator

SLDC0375R01V01



Description: Directional Coupler
 Designer: Franceschi A.
 Part No.: SLDC0375R01V01
 Size: A3
 Page: 1 of 1
 Rev: 1.2
 Date: 03/10/2019

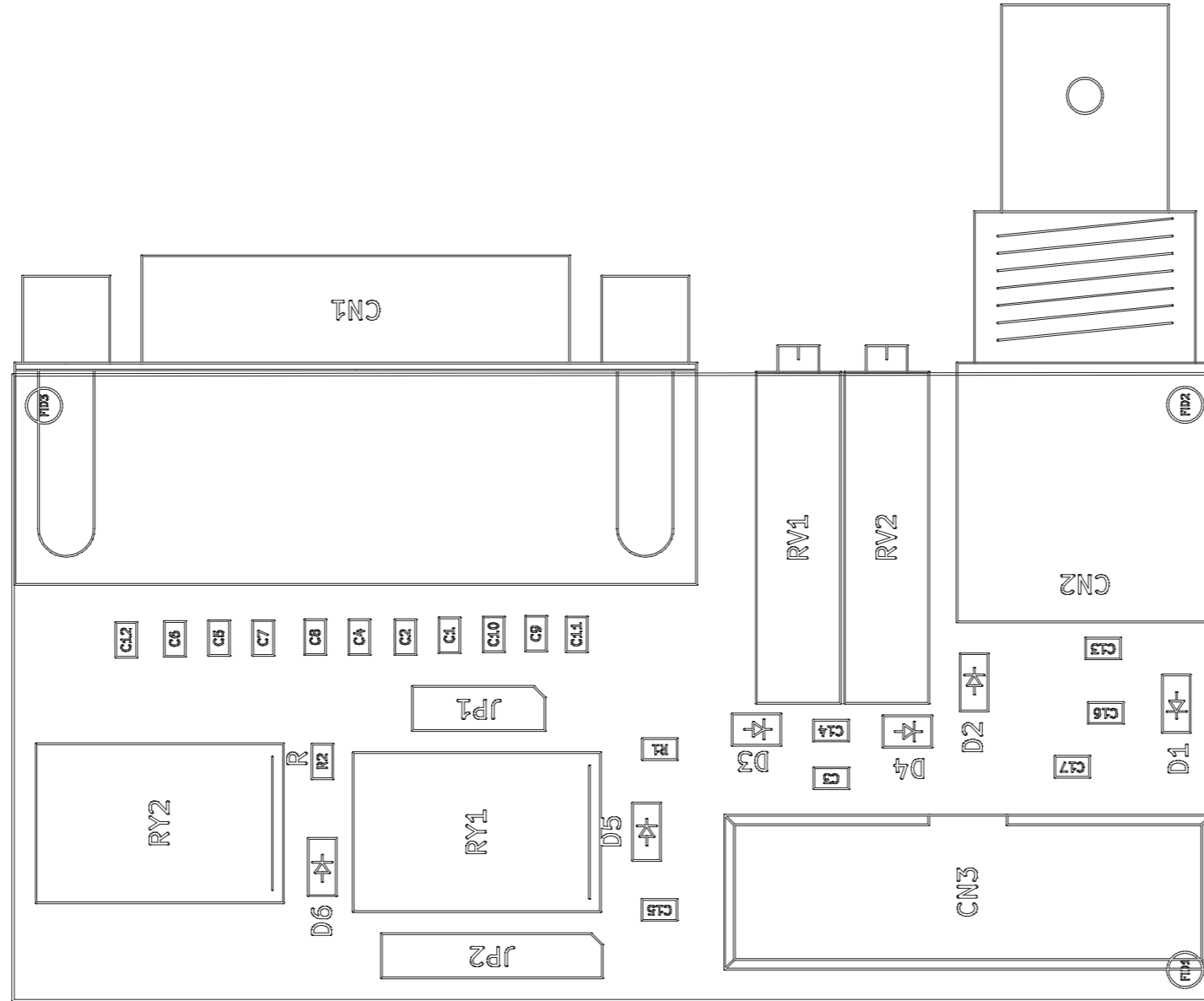
	PRODUCT NAME : TEX-LCD GREEN LINE	PART NAME : DIRECTIONAL COUPLER			
	DESIGNER : FRANCESCHI A.	DATE : 03/10/19	REVISION : 1.2	SCALE : 2:1	SIZE : A4
ARCHIVING : 'RVVUT' SERVER, 'RILASCIATI' FOLDER	PROJECT CODE : <>	DOCUMENT CODE : SLDC0375R01V**			

SLDC0375R01V01

DIRECTIONAL COUPLER Revised: 03/10/2019
 SLDC0375R01V01 Revision: 1.2
 Franceschi A.

Item	Quantity	Reference	Part	{description}
1	1	CS1	CSDC0375R1	
2	1	Cx	27pFTFL	
3	2	C3, C1	47pF	Cond. SMD 0805
4	4	C2, C4, C5, C6	4,7nF	Cond. SMD 0805
5	2	D3, D4	NC	
6	2	D1, D2	BAT83	MINIMELF Diode
7	2	RV2, RV1	200H	Trimmer SMD
8	2	R1, R2	100K	Res. SMD 0805
9	2	R3, R4	560H	Res. SMD 0805
10	2	R5, R6	2K2	Res. SMD 0805
11	2	R9, R10	10K	Res. NTC SMD 0805
12	2	R7, R8	NC	Res. SMD 0805
13	1	TL1	50 OHM	Linea strip CS

SLTL0509R01V01



PRODUCT NAME : TEX-TFT

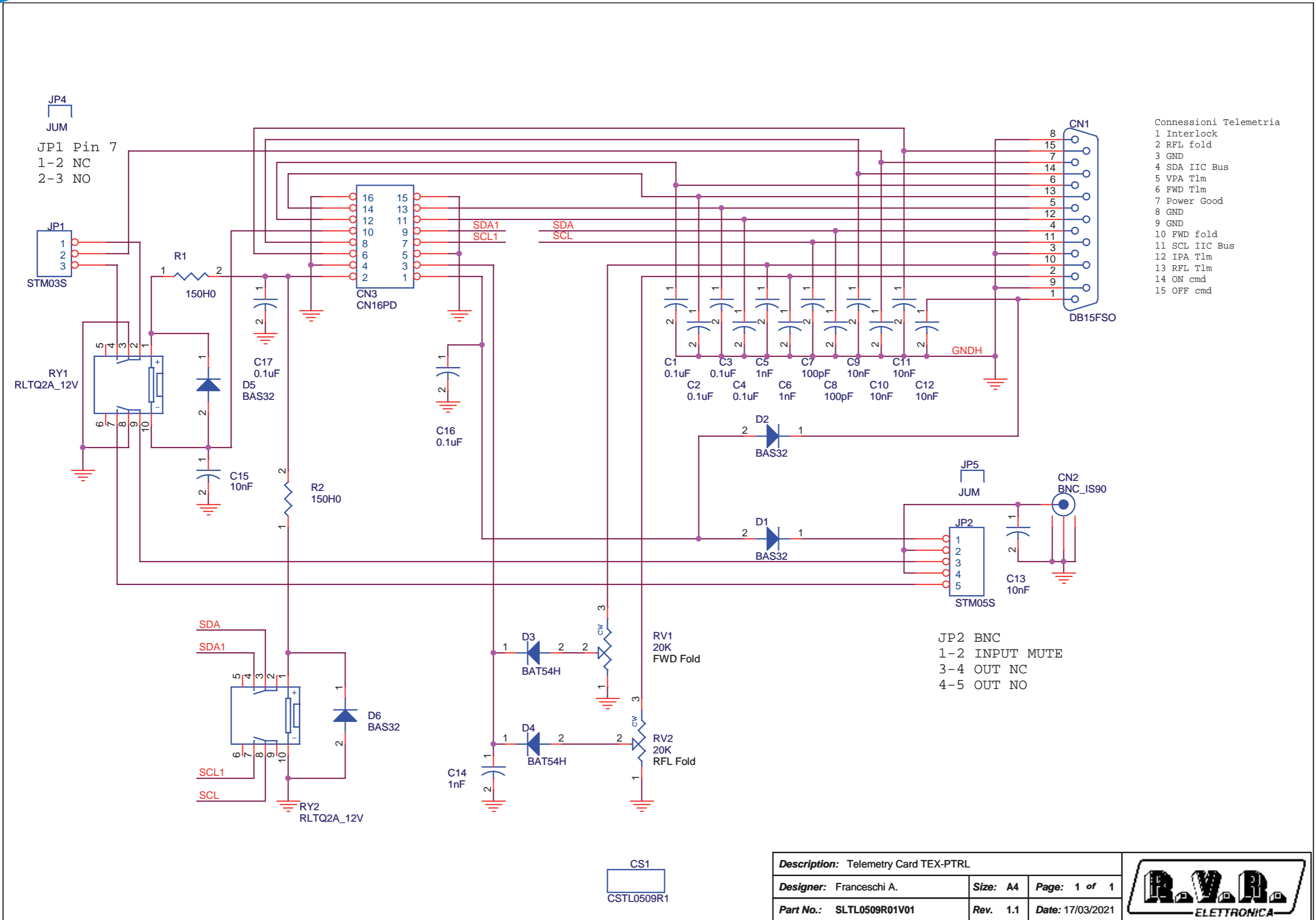
DESIGNER : FRANCESCHI A.

ARCHIVING : 'RVRUT' SERVER, 'RILASCIATI' FOLDER

PART NAME : TELEMETRY CARD

DATE : 22/06/20 | REVISION : 1.0 | SCALE : 2:1 | SIZE : A4 | PAGE : 1 DI 1

PROJECT CODE : <> | DOCUMENT CODE : SLTL0509R01V**



- Connessioni Telemetria
- 1 Interlock
 - 2 RFL fold
 - 3 GND
 - 4 SDA IIC Bus
 - 5 VPA Tlm
 - 6 FWD Tlm
 - 7 Power Good
 - 8 GND
 - 9 GND
 - 10 FWD fold
 - 11 SCL IIC Bus
 - 12 IPA Tlm
 - 13 RFL Tlm
 - 14 ON cmd
 - 15 OFF cmd

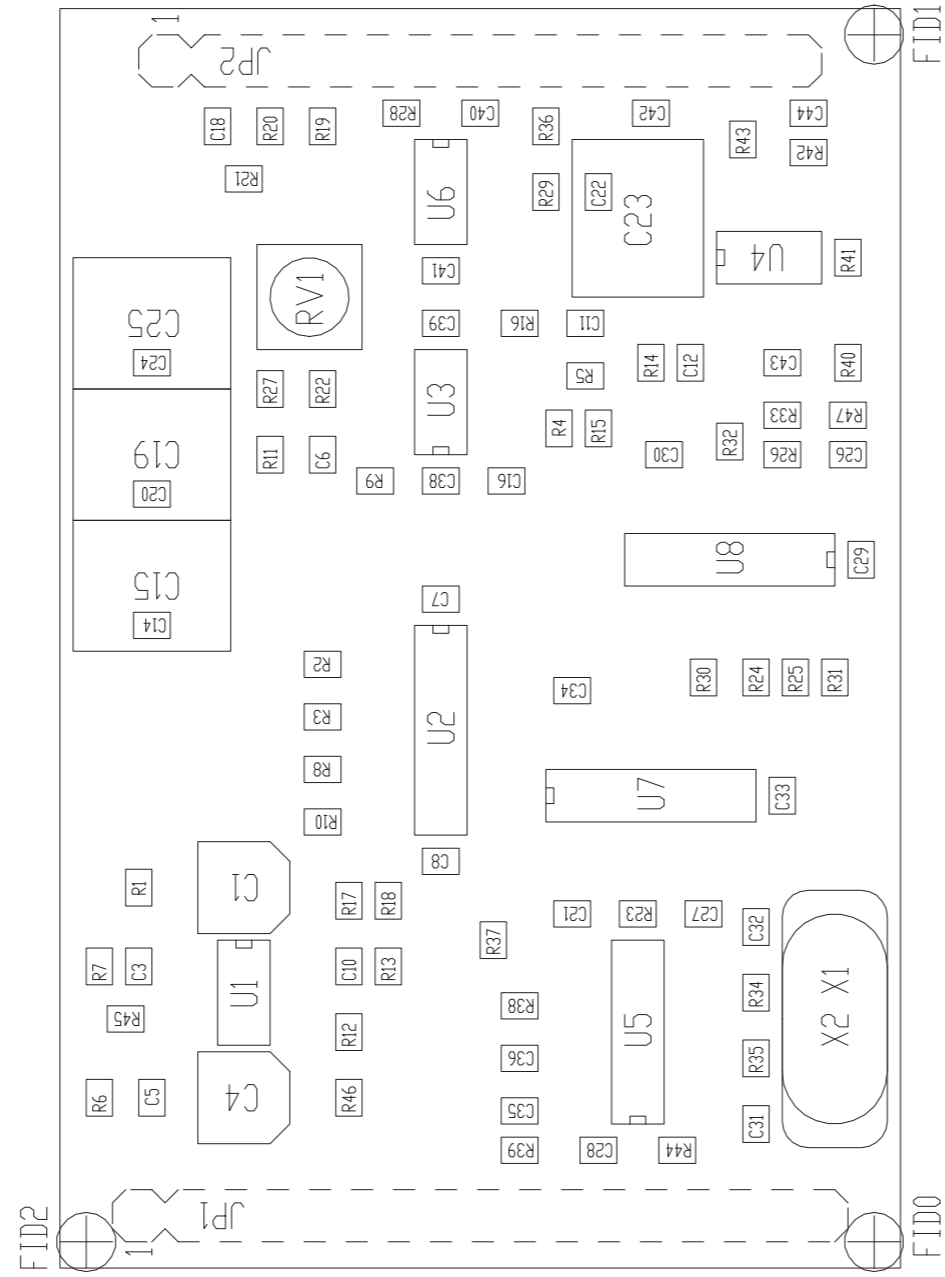
Description: Telemetry Card TEX-PTRL		
Designer: Franceschi A.	Size: A4	Page: 1 of 1
Part No.: SLTL0509R01V01	Rev.: 1.1	Date: 17/03/2021



SLTL0509R01V01

Telemetry Card TEX-PTRL Revised: 17/03/2021
 SLTL0509R01V01 Revision: 1.1
 Franceschi A.

Item	Quantity	Reference	Part	Description
1	1	CN1	DB15FSO	DB15 fem. PCB 90° conn.
2	1	CN2	BNC_IS90	Metal BNC conn. 90°
3	1	CN3	CN16PD	16 way pcb conn. with holder
4	1	CS1	CSTL0509R1	Printed Circuit board
5	6	C1, C2, C3, C4, C16, C17	0.1uF	0805 SMD capacitor
6	3	C5, C6, C14	1nF	0805 SMD capacitor
7	2	C7, C8	100pF	0805 SMD capacitor
8	6	C9, C10, C11, C12, C13, C15	10nF	0805 SMD capacitor
9	4	D1, D2, D5, D6	BAS32	MINIMELF SMD Diode
10	2	D3, D4	BAT54H	SOD123F SMD Diode
11	1	JP1	STM03S	Male strip 3 pin
12	1	JP2	STM05S	Male strip 5 pin
13	2	JP4, JP5	JUM	Jumper
14	2	RV1, RV2	20K	Trimmer Rg H 3006
15	2	RY1, RY2	RLTQ2A_12V	TQ2 relay
16	2	R1, R2	150H0	0805 SMD res.



PRODUCT NAME : SERED CODER

PART NAME : CTC30 CODER CARD

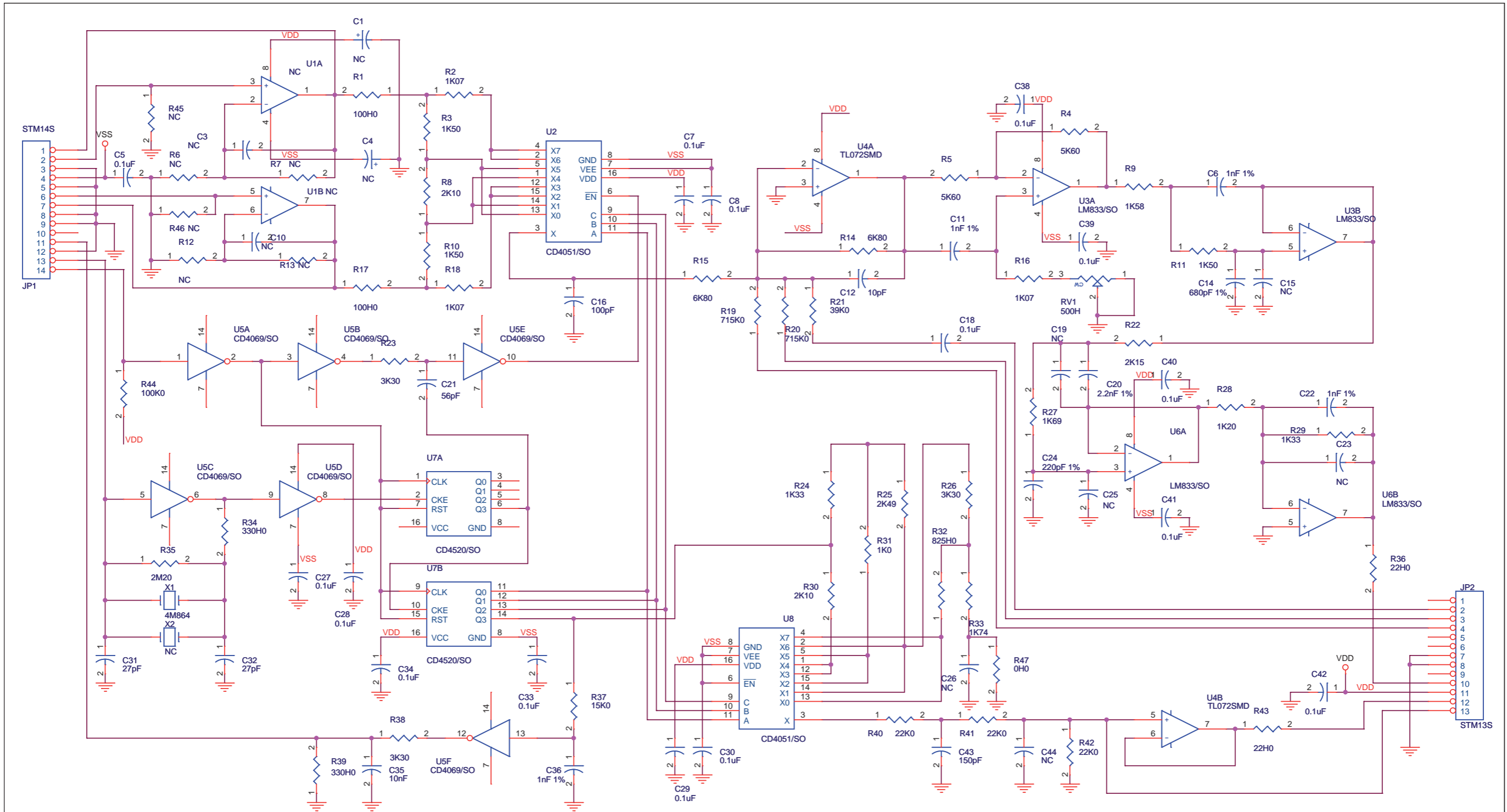
DESIGNER : FRANCESCHI A.

DATE : 26/01/15 REVISION : 1.0 SCALE : 2:1 SIZE : A4 PAGE : 1 DI 1

ARCHIVING : "RVRUT" SERVER, "RILASCIATI" FOLDER PROJECT CODE : -

DOCUMENT CODE : SLCTC30V03V**

SLCTC30V03V01



CS1
CSCTC30V03

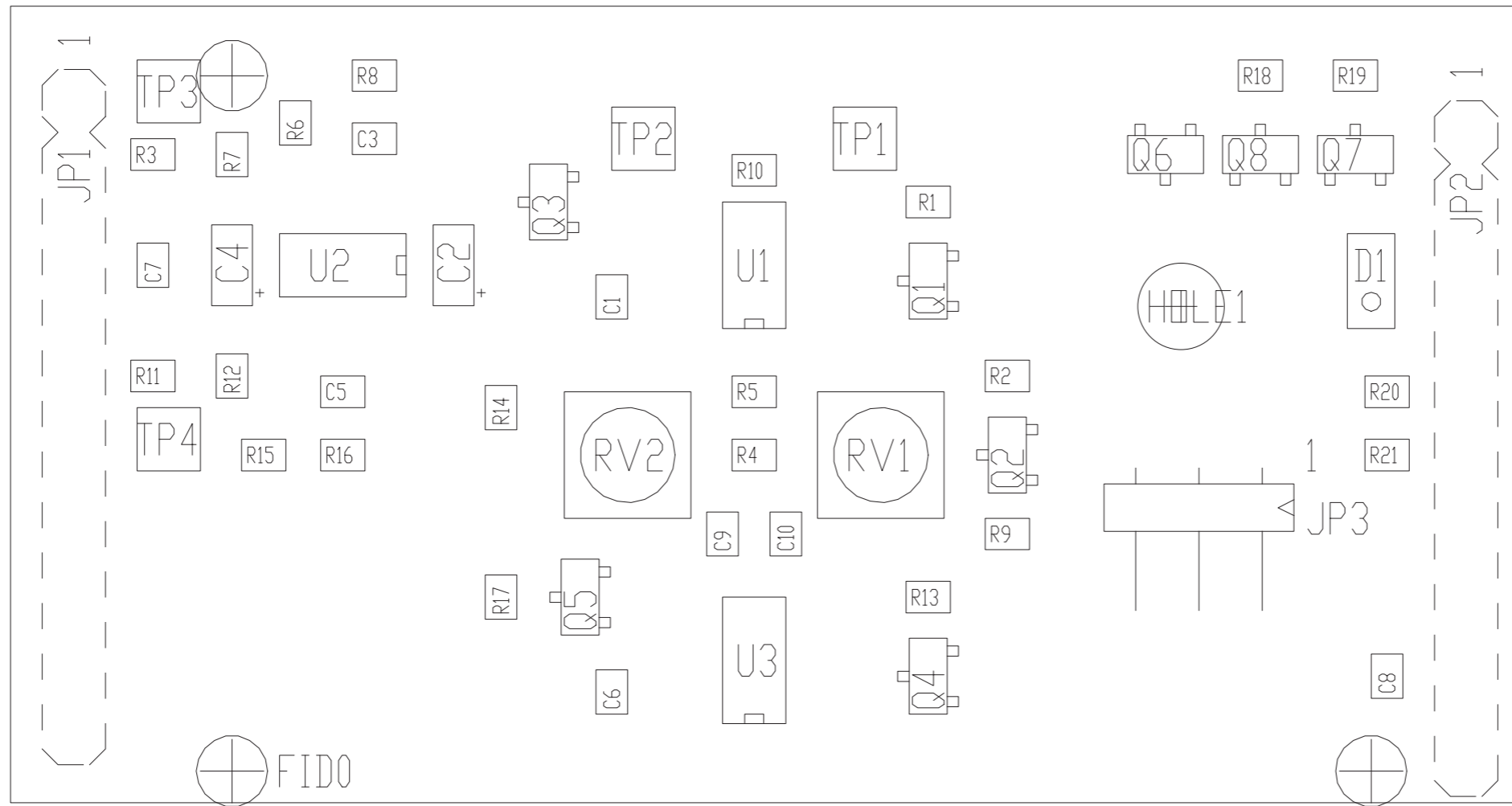
Description: Coder Card			
Designer: Franceschi A.	Size: A3	Page: 1 of 1	
Part No.: SLCTC30V03V01	Rev. 1.1	Date: 26/01/2015	

SLCTC30V03V01

Coder Card Revised: 26/01/2015
 SLCTC30V03V01 Revision: 1.1
 Franceschi A.

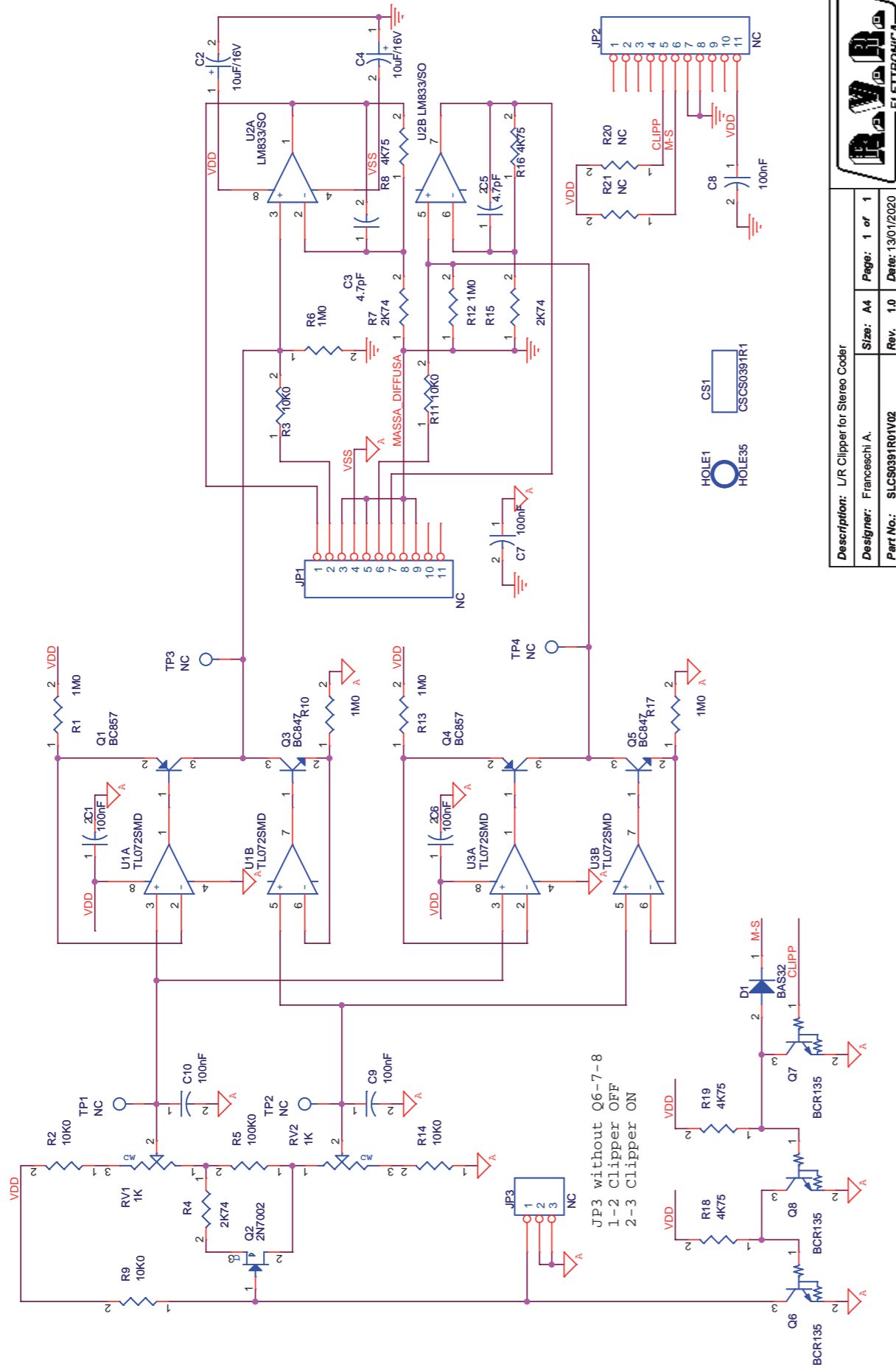
Item	Quantity	Reference	Part	Description
1	1	C51	CSCTC30V03	Circuito stampato
2	2	C1,C4	NC	Cond. Elett. SMD d. 4mm
3	3	C3,C10,C26	NC	Cond. SMD 0805
4	15	C5,C7,C8,C18,C27,C28,C29, C30,C33,C34,C38,C39,C40, C41,C42	0.1uF	Cond. SMD 0805
5	4	C6,C11,C22,C36	1nF 1%	Cond. SMD 0805 COG
6	1	C12	10pF	Cond. SMD 0805
7	1	C14	680pF 1%	Cond. SMD 0805 COG
8	4	C15,C19,C23,C25	NC	Cond. Poliestere p 5mm (5*7mm)
9	1	C16	100pF	Cond. SMD 0805
10	1	C20	2.2nF 1%	Cond. SMD 0805 COG
11	1	C21	56pF	Cond. SMD 0805
12	1	C24	220pF 1%	Cond. SMD 0805 COG
13	2	C31,C32	27pF	Cond. SMD 0805
14	1	C35	10nF	Cond. SMD 0805
15	1	C43	150pF	Cond. SMD 0805
16	1	C44	NC	Cond. SMD 0805
17	1	JP1	STM14S	Strip maschio 14 pin
18	1	JP2	STM13S	Strip maschio 13 pin
19	1	RV1	500H	Trimmer SMD
20	2	R1,R17	100H0	Res. SMD 0805
21	3	R2,R16,R18	1K07	Res. SMD 0805
22	3	R3,R10,R11	1K50	Res. SMD 0805
23	2	R4,R5	5K60	Res. SMD 0805
24	6	R6,R7,R12,R13,R45,R46	NC	Res. SMD 0805
25	2	R8,R30	2K10	Res. SMD 0805
26	1	R9	1K58	Res. SMD 0805
27	2	R14,R15	6K80	Res. SMD 0805
28	2	R19,R20	715K0	Res. SMD 0805
29	1	R21	39K0	Res. SMD 0805
30	1	R22	2K15	Res. SMD 0805
31	3	R23,R26,R38	3K30	Res. SMD 0805
32	2	R24,R29	1K33	Res. SMD 0805
33	1	R25	2K49	Res. SMD 0805
34	1	R27	1K69	Res. SMD 0805
35	1	R28	1K20	Res. SMD 0805
36	1	R31	1K0	Res. SMD 0805
37	1	R32	825H0	Res. SMD 0805
38	1	R33	1K74	Res. SMD 0805
39	2	R34,R39	330H0	Res. SMD 0805
40	1	R35	2M20	Res. SMD 0805
41	2	R36,R43	22H0	Res. SMD 0805
42	1	R37	15K0	Res. SMD 0805

43	3	R40,R41,R42	22K0	Res. SMD 0805
44	1	R44	100K0	Res. SMD 0805
45	1	R47	0H0	Res. SMD 0805
46	1	U1	NC	Dual Op. SMD SO8
47	2	U2,U8	CD4051/SO	Analog Switch SMD SO16
48	2	U3,U6	LM833/SO	Dual Op. SMD SO8
49	1	U4	TL072SMD	Dual Op. SMD SO8
50	1	U5	CD4069/SO	Hex inverter SO14
51	1	U7	CD4520/SO	Dual binary counter
52	1	X1	4M864	Quarzo SMD HC49SMD
53	1	X2	NC	Quarzo HC18



PRODUCT NAME : TEX-TFT	PART NAME : L/R Clipper for Stereo Coder
DESIGNER : FRANCESCHI A.	DATE : 13/01/20
ARCHIVING : "RVRUT" SERVER, "RILASCIATI" FOLDER	REVISION : 1.0
	SCALE : 1:1
	SIZE : A4
	PAGE : 1
	DI : 1
	DOCUMENT CODE : SLCS0391R01V**
	PROJECT CODE : 252

SLCS0391R01V02

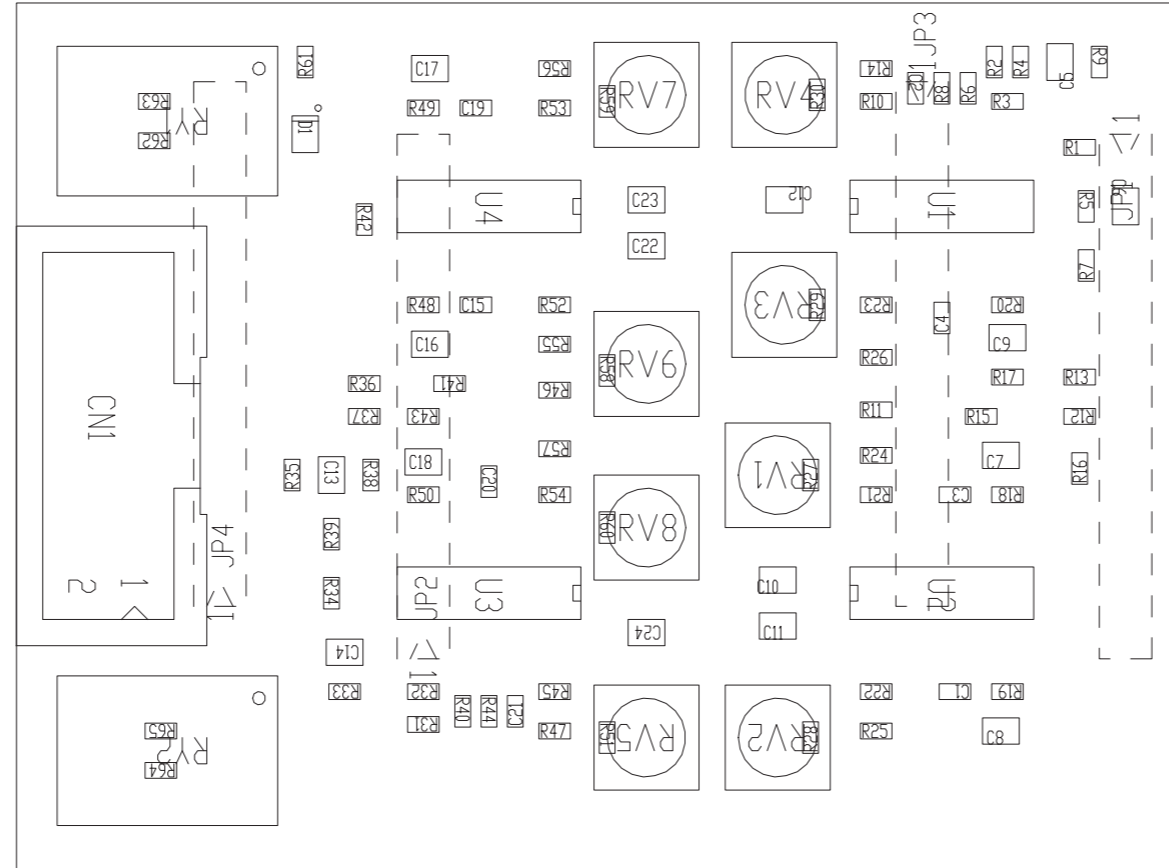


Description: L/R Clipper for Stereo Coder
Designer: Franceschi A.
Part No.: SLCS0391R01V02
Size: A4
Page: 1 of 1
Rev.: 1.0
Date: 13/01/2020

L/R Clipper for Stereo Coder Revised: Monday, Jan 13, 2020
 SLCS0391R01V02 Revision: 1.0
 Franceschi A.

Item	Quantity	Reference	Part	Description
1	1	CS1	CSCS0391R1	Circuito stampato
2	6	C1,C6,C7,C8,C9,C10	100nF	Cond. SMD 0805
3	2	C2,C4	10uF/16V	Cond. Elett. SMD tant. size A
4	2	C3,C5	4.7pF	Cond. SMD 0805
5	1	D1	BAS32	MINIMELF SMD Diode
6	1	HOLE1	HOLE35	Foro da 3.5mm
7	2	JP1,JP2	NC	Strip maschio 11 pin
8	1	JP3	NC	Strip maschio 3 pin a 90°
9	2	Q1,Q4	BC857	Trans. PNP SOT23
10	1	Q2	2N7002	Trans. FET SOT23
11	2	Q3,Q5	BC847	Trans. NPN SOT23
12	3	Q6,Q7,Q8	BCR135	Trans./Res. NPN SOT23
13	2	RV1,RV2	1K	Trimmer SMD
14	6	R1,R6,R10,R12,R13,R17	1M0	Res. SMD 0805
15	5	R2,R3,R9,R11,R14	10K0	Res. SMD 0805
16	3	R4,R7,R15	2K74	Res. SMD 0805
17	1	R5	100K0	Res. SMD 0805
18	4	R8,R16,R18,R19	4K75	Res. SMD 0805
19	2	R20,R21	NC	Res. SMD 0805
20	4	TP1,TP2,TP3,TP4	NC	Test point
21	2	U1,U3	TL072SMD	Dual Op. SMD SO8
22	1	U2	LM833/SO	Dual Op. SMD SO8

SLAU0469R01V04



PRODUCT NAME : TEX-LCD

DESIGNER : FRANCESCHI A.

ARCHIVING : "RVRUT" SERVER, "RILASCIATI" FOLDER

PART NAME : AUDID FILTER 15KHZ

DATE : 03/05/17

REVISION : 1.0

SCALE : 2:1

SIZE : A4

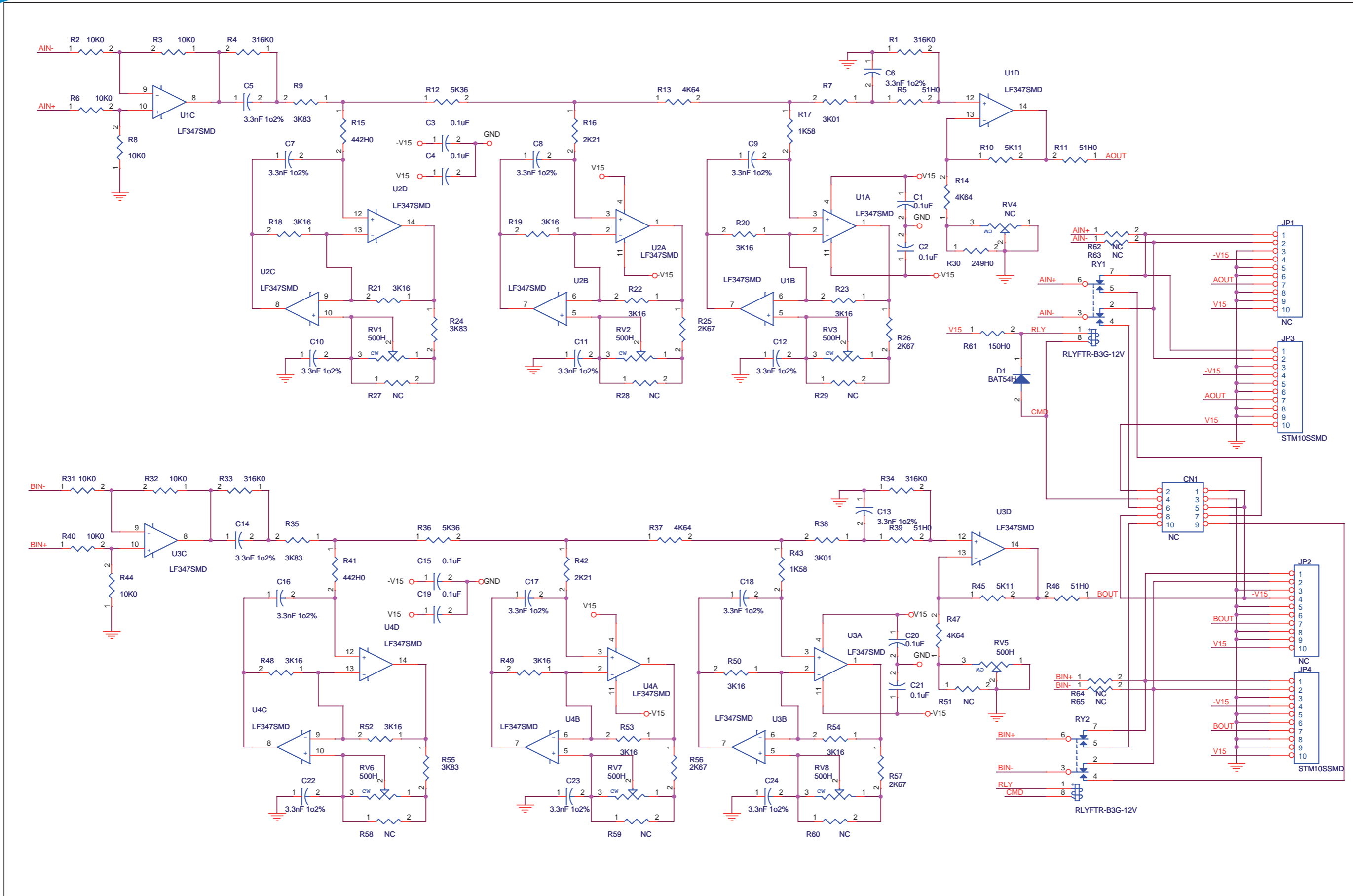
PAGE : 1

DI 1

DOCUMENT CODE : SLAU0469R01V**

PROJECT CODE : 057

SLAU0469R01V04



CS1
CSAU0469R1

Description: Audio Filter 15Khz TFT w AES-EBU		
Designer: Franceschi A.	Size: A3	Page: 1 of 1
Part No.: SLAU0469R01V04	Rev. 1.0	Date: 03/04/2018



SLAU0469R01V04

Audio Filter 15Khz TFT w AES-EBU Revised: 03/04/2018
 SLAU0469R01V04 Revision: 1.0
 Franceschi A.

Item	Quantity	Reference	Part	Description
1	1	CN1	NC	Conn. 10 poli Flat cs
2	1	CS1	CSAU0469R1	Circuito stampato
3	8	C1, C2, C3, C4, C15, C19, C20, C21	0.1uF	Cond. SMD 0603
4	16	C5, C6, C7, C8, C9, C10, C11, C12, C13, C14, C16, C17, C18, C22, C23, C24	3.3nF 1o2%	Cond. SMD 0805 COG
5	1	D1	BAT54H	SOD323 SMD Diode
6	2	JP1, JP2	NC	Male strip 10 pin SMD
7	2	JP3, JP4	STM10SSMD	Male strip 10 pin SMD
8	7	RV1, RV2, RV3, RV5, RV6, RV7, RV8	500H	Trimmer SMD V 3314
9	1	RV4	NC	Trimmer SMD V 3314
10	2	RY1, RY2	RLYFTR-B3G-12V	Rele' FTR-B3G
11	4	R1, R4, R33, R34	316K0	Res. SMD 0603
12	8	R2, R3, R6, R8, R31, R32, R40, R44	10K0	Res. SMD 0603
13	4	R5, R11, R39, R46	51H0	Res. SMD 0603
14	2	R7, R38	3K01	Res. SMD 0603
15	4	R9, R24, R35, R55	3K83	Res. SMD 0603
16	2	R10, R45	5K11	Res. SMD 0603
17	2	R12, R36	5K36	Res. SMD 0603
18	4	R13, R14, R37, R47	4K64	Res. SMD 0603
19	2	R15, R41	442H0	Res. SMD 0603
20	2	R16, R42	2K21	Res. SMD 0603
21	2	R17, R43	1K58	Res. SMD 0603
22	12	R18, R19, R20, R21, R22, R23, R48, R49, R50, R52, R53, R54	3K16	Res. SMD 0603
23	4	R25, R26, R56, R57	2K67	Res. SMD 0603
24	11	R27, R28, R29, R51, R58, R59, R60, R62, R63, R64, R65	NC	Res. SMD 0603
25	1	R30	249H0	Res. SMD 0603
26	1	R61	150H0	Res. SMD 0603
27	4	U1, U2, U3, U4	LF347SMD	Quad Op. SMD SO14